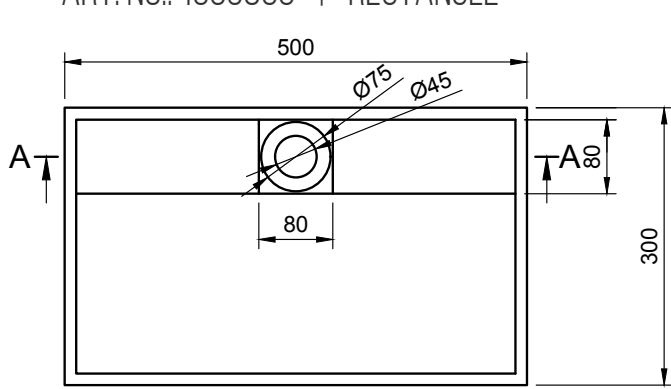


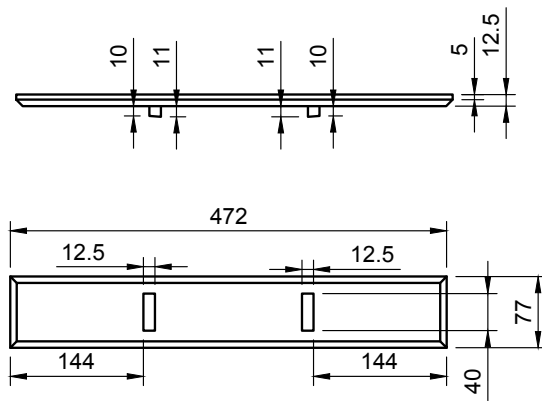


TERRA 50 OVERCOUNTER WASHBASIN

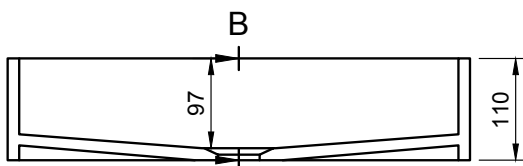
ART. NO.: 1003866 | RECTANGLE



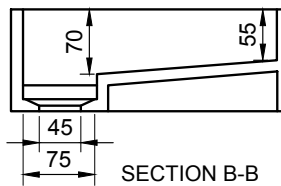
TOP VIEW



DRAWER COVER



SECTION A-A



SECTION B-B

SPECIFICATIONS

MATERIAL

INFINITE[®] Solid Surfaces

AVAILABLE COLORS



PRODUCT SIZE

L500 x D300 x H110mm

GROSS/NET WEIGHT

11.5kg / 8.5kg

WATER CAPACITY

9.5L

REMARKS

Not Include Waste Pipe

ACCESSORIES LIST



9000173
Open Drain



9000090
Magic Sponge 1pc

***OPTIONAL**



9000018
Chorme Waste Drainage