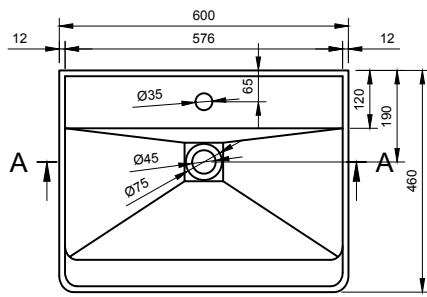


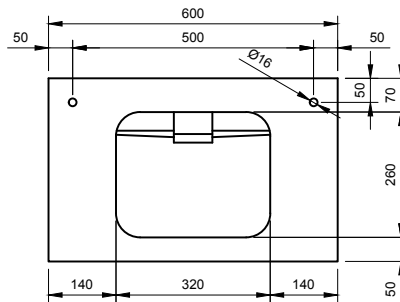


SALINA WM 60 WALL MOUNT WASHBASIN

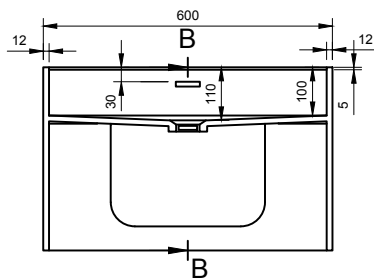
ART. NO.: 1003826 | RECTANGLE



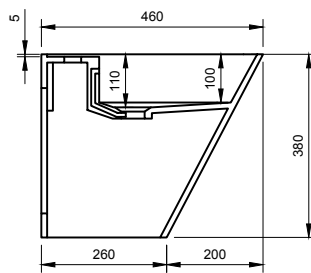
TOP VIEW



REAR VIEW



SECTION A-A



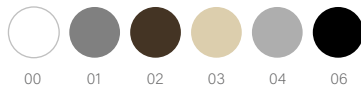
SECTION B-B

SPECIFICATIONS

MATERIAL

INFINITE[®] Solid Surfaces

AVAILABLE COLORS



PRODUCT SIZE

L600 x D460 x H380mm

GROSS/NET WEIGHT

24.5kg / 21.0kg

WATER CAPACITY

15.5L

REMARKS

Not Include Waste Pipe

ACCESSORIES LIST



9000060
Pop-Up Drainage



9000090
Magic Sponge 1pc



9000283
M8 Screws 2pc

***OPTIONAL**



9000018
Chrome Waste Drainage