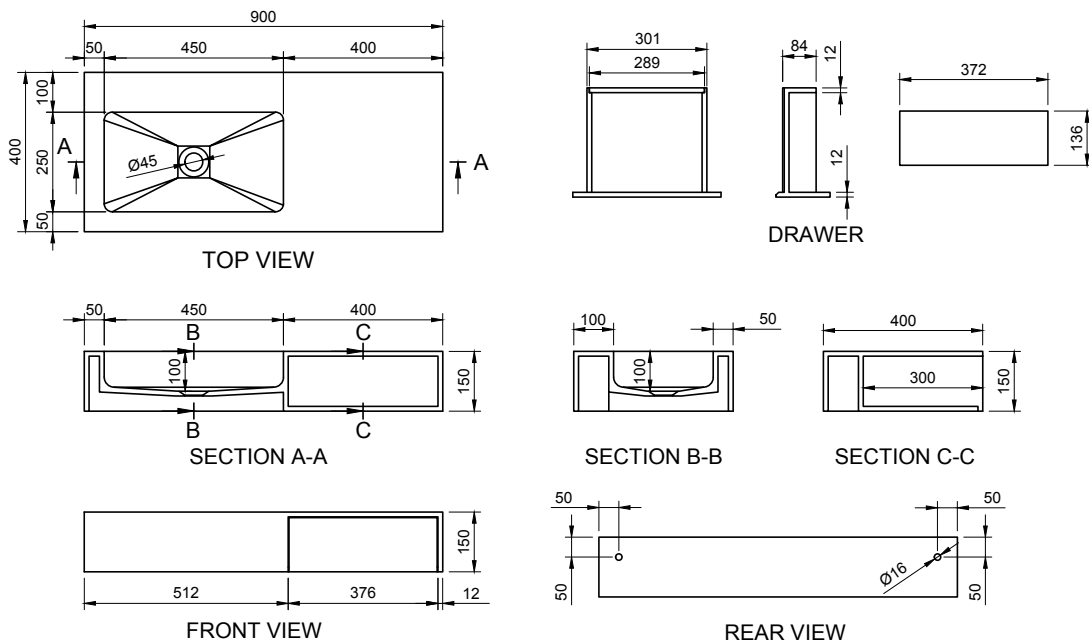




VESTA WM 90R W/DRAWER WALL MOUNT WASHBASIN

ART.NO.: 1003740 | RECTANGLE



SPECIFICATIONS

MATERIAL

INFINITE[®] Solid Surfaces

AVAILABLE COLORS



PRODUCT SIZE

L900 x D400 x H150mm

GROSS/NET WEIGHT

32.0kg / 27.5kg

WATER CAPACITY

11.0L

REMARKS

Not Include Waste Pipe

ACCESSORIES LIST



9000010
Pop-Up Drainage



9000090
Magic Sponge 1pc



9000283
M8 Screws 2pc

***OPTIONAL**



9000018
Chrome Waste Drainage