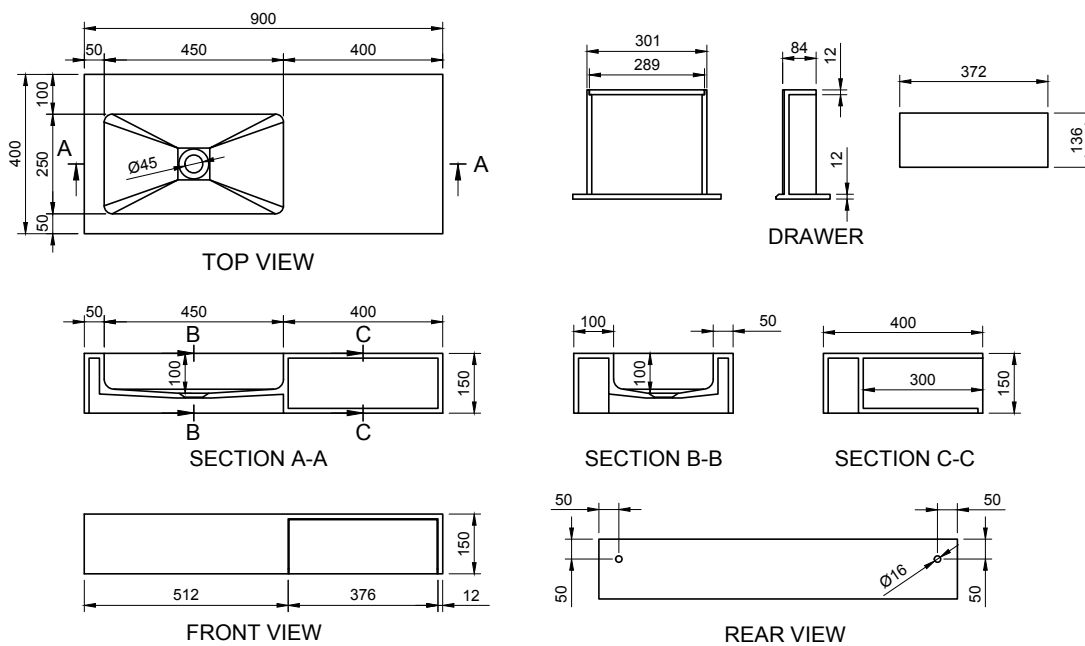




# VESTA WM 90L W/DRAWER WALL MOUNT WASHBASIN

ART. NO.: 1003421 | RECTANGLE



## SPECIFICATIONS

### MATERIAL

INFINITE<sup>®</sup> Solid Surfaces

### AVAILABLE COLORS



### PRODUCT SIZE

L900 x D400 x H150mm

### GROSS/NET WEIGHT

32.0kg / 27.5kg

### WATER CAPACITY

11.0L

### REMARKS

Not Include Waste Pipe

## ACCESSORIES LIST



9000010  
Pop-Up Drainage



9000090  
Magic Sponge 1pc



9000283  
M8 Screws 2pc

### \*OPTIONAL



9000018  
Chorme Waste Drainage