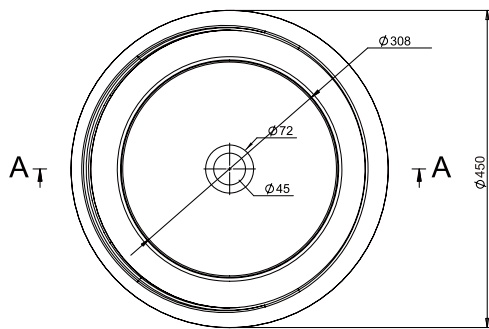


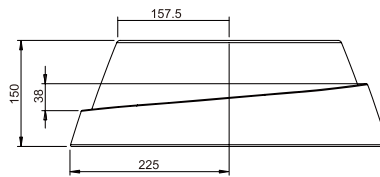


# FUJISAN D45 OVERCOUNTER WASHBASIN

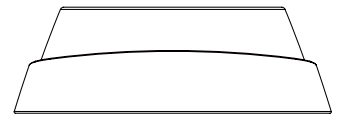
ART. NO.: 1003064 | ROUND



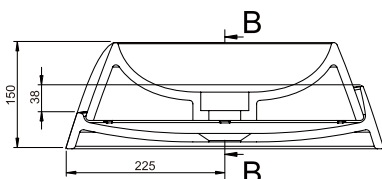
TOP VIEW



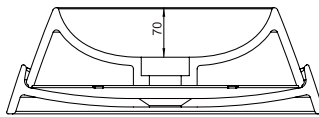
FRONT VIEW



REAR VIEW



SECTION A-A



SECTION B-B

## SPECIFICATIONS

**MATERIAL**

INFINITE<sup>®</sup> Solid Surfaces

**AVAILABLE COLORS**



**PRODUCT SIZE**

Dia450 x H150mm

**GROSS/NET WEIGHT**

17.0kg / 13.0kg

**WATER CAPACITY**

4.0L

**REMARKS**

Not Include Waste Pipe

## ACCESSORIES LIST



9000261  
Pop-Up Drainage



9000090  
Magic Sponge 1pc

**\*OPTIONAL**



9000018  
Chrome Waste Drainage