

marathon™

Generators



Generators Selection and Pricing Catalog

A Regal Brand

REGAL

PRICING EFFECTIVE JANUARY 1, 2015

The Marathon Advantage

Worldwide Availability

Thousands of generators available modified or customized to your order.



Marathon Reliability

Proven and reliable designs even in the harshest environments.



Custom Designs

Highly engineered products designed specifically to your needs.



Technical Support/Customer Care

Experienced and knowledgeable technical and customer care representatives with a combined 100 years experience.



Best of the Best Sales Organization – The most knowledgeable sales team in the business. Go to <http://www.marathonelectric.com/generators/SalesLocation.jsp> to get in touch with your local Marathon representative.

Formulas
Page 76

$$\text{Amps} = \frac{\text{kW} \times 1000}{1.73 \times \text{Volts} \times \text{P.F.}}$$
$$\frac{\text{V} \times \text{A} \times 1.73}{1000} = \frac{\text{kWe}}{\text{PF}}$$
$$\text{RPM} = \frac{2 \times 60 \times \text{Hz}}{\text{Poles}}$$

MAGNASELECT[™]
Generators
Page 59



MAGNAPOWER[®]
860 Frame
Generators
Page 19



Agency Information
Page 77



MAGNAPLUS[®] Generators

400 Volt 60Hz Generator – Page 12-13

600/480 Volt 12 Lead Multivoltage Generator – Page 18

Expanded Marine and Harsh Duty Ratings – Page 48-51

Table of Contents

MAGNAPLUS®, MAGNAMAX®, MAGNAPOWER® – 60 Hertz, 1800 RPM, 4 Pole

	240Y or 480Y Volts, 480Y Volts	4-5
	208Y or 416Y Volts, 240 or 120 Volts Delta.	6-7
	220Y or 440Y Volts, 440Y Volts	8-9
	208Y-240Y or 416Y-480Y Volts, 240 or 120 Volts Delta, Broad Range.	10-11
NEW	200Y or 400Y Volts, 400Y Volts	12-13
	190Y or 380Y Volts, 380Y, 220 or 110 Volts Delta	14-15
	380Y Volts, Dedicated Designs	16
	600Y Volts, Dedicated Designs	17
NEW	600/480 Volt, 12 Lead Multivoltage	18
NEW	860 Frame	19
	Single Phase	
	240/120 Volts, 120 Volts Delta, 12 Lead.	20
	120 or 240/120 Volts, Dedicated, 4 Lead	21

MAGNAMAX® & MAGNAPOWER® – 2400-13800 Volts

Medium Voltage, MAGNAMAX® & MAGNAPOWER®

	2400Y/1386 Volts, 1386 Volts Delta, 60 Hz	22
	3300Y/1905 Volts, 1905 Volts Delta, 60 Hz	22
	4160Y/2402 Volts, 2402 Volts Delta, 60 Hz	23
	3300Y/1905 Volts, 1905 Volts Delta, 50 Hz	23
	6300Y/3637 Volts, 3637 Volts Delta, 60 Hz	24
	6600Y/3811 Volts, 3811 Volts Delta, 60 Hz	24
	6900Y/3984 Volts, 3984 Volts Delta, 60 Hz	24
	6300Y/3637 Volts, 3637 Volts Delta, 50 Hz	25
	6600Y/3811 Volts, 3811 Volts Delta, 50 Hz	25
	6900Y/3984 Volts, 3984 Volts Delta, 50 Hz	25

High Voltage, MAGNAPOWER®

	12470Y/7200 Volts, 7200 Volts Delta, 60 Hz	26
	13200Y/7621 Volts, 7621 Volts Delta, 60 Hz	26
	13800Y/7967 Volts, 7967 Volts Delta, 60 Hz	26
	10000Y/5774 Volts, 5774 Volts Delta, 50 Hz	27
	10500Y/6062 Volts, 6062 Volts Delta, 50 Hz	27
	11000Y/6351 Volts, 6351 Volts Delta, 50 Hz	27

MAGNAPLUS®, MAGNAMAX®, MAGNAPOWER® – 50 Hertz, 1500 RPM, 4 Pole

	208Y or 415Y Volts, 415Y Volts, 240 or 120 Volts Delta.	28-29
	190Y or 380Y Volts, 380Y Volts, 220 or 110 Volts Delta.	30-31
	220Y or 440Y Volts, 440Y Volts	32-33
	200Y or 400Y Volts, 400Y Volts, 230 or 115 Volts Delta.	34-35
	190Y-208Y or 380Y-415Y Volts, Broad Range.	36-37
	Single Phase	
	220/110 Volts, 110 Volts Delta, 12 Lead.	38
	110 or 220/110 Volts, Dedicated, 4 Lead	39

SPECIALTY GENERATORS

6 Pole

60 Hz , 1200 RPM	40
60 Hz , 1200 RPM, Single Phase, 120/240 Volts	40
50 Hz , 1000 RPM	41

400 Hertz

24 Pole, 208Y or 416Y Volts	42
---------------------------------------	----

Pancake

Capacitor For Light Tower, 60 Hz , 4 Pole, Single Phase, 240/120 Volts	42
Capacitor For Light Tower, 50 Hz , 4 Pole, Single Phase, 220/110 Volts	42
Automatic Voltage Regulated (AVR), 60 Hz , Single Phase	21

LIMA®MAC, LIMA®MAC IRRIGATOR, LIMA®MAC Reefer

60 Hz , 4 Pole	43
---------------------------------	----

PRIMELINE® Induction Generators

60 Hz , 4 Pole, One Bearing, 240 or 480 Volts	44
60 Hz , 4 Pole, One Bearing, 208 or 416 Volts	44
60 Hz , 4 Pole, Two Bearing, 480 Volts	44
60 Hz , 6 Pole, Two Bearing, 480 Volts	44
Modification Section: Induction Generators	45

Drill Rig Duty

60 Hz , 480Y/277 Volts	46
60 Hz , 600Y/346 Volts	46

Crane Duty Generators

Hydraulic, ATEX Zone 2	47
----------------------------------	----

Dual Voltage

Harsh Duty, Industrial Ratings, 60 Hz	48
--	----

EXPANDED

Harsh Duty, Industrial Ratings, 50 Hz	49
--	----

EXPANDED

Mariner™, 60 Hz	50
----------------------------------	----

EXPANDED

Mariner™, 50 Hz	51
----------------------------------	----

EXPANDED

American Bureau of Shipping (ABS) Certified Generators

Mariner™ with ABS Ratings	53
-------------------------------------	----

Marine Classification Society Requirements Table

Mariner™ DEP/SS	54
---------------------------	----

Rail Duty Generators

UL Listed	
-----------	--

60 Hz , 4 Pole, UL 2200 Application Ratings	56-57
--	-------

High Efficiency Generators

MAGNASELECT™	59
-------------------------------	----

NEW

Technical Information

Modification Section: Generators, Voltage Regulators & Accessories, Testing	60-64
General Notes	64
Dimensional Data	65-70
Standard SAE Dimensions & Mounting Arrangement Cross Reference	71
Environmental and Special Considerations	72
Connection Diagrams	73-74
Automatic Voltage Regulator Features	75
Formulas	76
Agency Information	77
Marathon Service Parts	78-79
Terms and Conditions	80-82
Freight Allowance and One Day Service Programs	83
Warnings/Cautions	84
Product Photos	Inside Back Cover

**NEW
NEW**

60 Hertz

4-Pole Three Phase

240Y or 480Y Volts (12 Leads)

1800 RPM
NEMA Class H Insulation
40°C Ambient
0.8 Power Factor Lagging
Shunt (Non-PMG) Excitation
SE350E AVR

MAGNAPLUS® Standard Models

Base Model	Net Wt. (lbs.)	No. of Leads ^④	Voltage	Bolt-on PMG Option Avail.	kW Rating @ Designated NEMA Rise					List Price
					Continuous			Standby		
					NEMA B 80°C R/R	NEMA F 105°C R/R	NEMA H 125°C R/R	NEMA F 130°C R/R	NEMA H 150°C R/R	
281CSL1502	220	12	240Y/480Y	Yes	10.5	12	13	13	14	\$2,835
282PSL1703 ^②	240	12	240Y/480Y	Ⓜ	11.5	13.5	14.5	15	15.5	\$2,983
282CSL1504	250	12	240Y/480Y	Yes	15	17.5	18	18	19	\$3,137
282CSL1505	275	12	240Y/480Y	Yes	20	22	24	24	25	\$3,374
283CSL1506	310	12	240Y/480Y	Yes	22	26	28	28	30	\$3,754
283CSL1507	350	12	240Y/480Y	Yes	27	31	33	33	35	\$4,057
284CSL1508	405	12	240Y/480Y	Yes	30	36	40	40	42	\$4,437
284CSL1542	420	12	240Y/480Y	Yes	34	40	43	43	46	\$4,601
361CSL1600 ^①	518	12	240Y/480Y	Yes	40	45	48	48	50	\$4,663
361CSL1601 ^①	569	12	240Y/480Y	Yes	49	55	60	60	65	\$5,053
361CSL1602 ^①	620	12	240Y/480Y	Yes	58	65	70	70	76	\$5,741
362CSL1604 ^①	706	12	240Y/480Y	Yes	75	84	90	90	95	\$6,203
362CSL1606 ^①	796	12	240Y/480Y	Yes	80	96	105	105	113	\$7,117
363CSL1607 ^①	943	12	240Y/480Y	Yes	110	125	135	135	150	\$7,656
431CSL6202 ^①	1220	12	240Y/480Y	Yes	125	142	151	155	160	\$8,647
431CSL6204 ^①	1310	12	240Y/480Y	Yes	143	170	180	181	190	\$9,495
431CSL6206 ^①	1415	12	240Y/480Y	Yes	165	200	211	215	225	\$10,501
431CSL6208 ^①	1455	12	240Y/480Y	Yes	180	211	226	230	240	\$11,097
432CSL6210 ^①	1685	12	240Y/480Y	Yes	220	260	275	280	291	\$11,718
432CSL6212 ^①	1760	12	240Y/480Y	Yes	230	275	300	300	310	\$13,253
433CSL6216 ^①	2235	12	240Y/480Y	Yes	280	342	375	380	400	\$14,856
433CSL6220 ^①	2245	12	240Y/480Y	Yes	310	375	403	415	430	\$15,764

MAGNAPLUS® Alternate Models^③

281PSL1722	225	12	240Y/480Y	Ⓜ	8.8	10	11	11	12	\$2,835
282PSL1704	270	12	240Y/480Y	Ⓜ	12.5	15	16.5	16.5	17.5	\$3,137
282PSL1705	295	12	240Y/480Y	Ⓜ	17	20	21	21	22	\$3,374
283PSL1706	336	12	240Y/480Y	Yes	22	25	27	27	29	\$3,754
283PSL1707	366	12	240Y/480Y	Yes	25	30	33	33	35	\$4,057
284PSL1708	405	12	240Y/480Y	Yes	30	32	35	35	40	\$4,437
284PSL1742	436	12	240Y/480Y	Yes	32	36	40	40	45	\$4,601
285PSL1700	480	12	240Y/480Y	Yes	38	43	45	45	50	\$4,663
286PSL1701	600	12	240Y/480Y	Yes	44	52	58	58	62	\$5,053
287PSL1702	670	12	240Y/480Y	Yes	50	58	62	62	67	\$5,741

① 361 to 433 PSL (single bearing) or PDL (double bearing) models are the alternate to CSL models and have equivalent performance and dimensions.

② PMG Option available as build-up only.

③ Specialty and two bearing orders utilize these windings in place of 280 frame CSL models.

④ All MAGNAPLUS models have linkboard as standard.

Notes A, B, C, D, E, and F on page 64 apply to this page.

1800 RPM
 NEMA Class H Insulation
 40°C Ambient
 0.8 Power Factor Lagging
 DVR®2000E+ AVR w/PMG Excitation

240Y or 480Y Volts
 (10-12 Leads)
480Y Volts (4-6 Leads)

**4-Pole
 Three Phase**

**60
 Hertz**

MAGNAMAX^{DVR}

Base Model	Net Wt. (lbs.)	No. of Leads	Voltage	kW Rating @ Designated NEMA Rise					List Price
				Continuous			Standby		
				NEMA B 80°C R/R	NEMA F 105°C R/R	NEMA H 125°C R/R	NEMA F 130°C R/R	NEMA H 150°C R/R	
431RSL4005	1280	12	240Y/480Y	126	145	154	155	160	\$9,952
431RSL4007	1370	12	240Y/480Y	140	165	175	175	185	\$10,414
432RSL4009	1550	12	240Y/480Y	172	203	215	215	226	\$11,030
432RSL4011	1570	12	240Y/480Y	192	221	231	231	250	\$11,559
432RSL4013	1600	12	240Y/480Y	200	235	250	250	263	\$11,872
432RSL4015	1810	12	240Y/480Y	230	275	285	285	300	\$12,714
432RSL4017	1830	12	240Y/480Y	230	275	292	300	310	\$14,167
433RSL4019	2340	12	240Y/480Y	305	350	375	375	415	\$15,764
433RSL4021	2365	12	240Y/480Y	330	380	405	405	440	\$16,699
572RSL4024	2730	10	240Y/480Y	380	450	475	475	505	\$18,204
572RSL4025	2730	12	240Y/480Y	380	450	475	475	505	\$18,517
572RSL4027	2840	12	240Y/480Y	440	500	515	515	560	\$18,835
572RSL4028	3050	10	240Y/480Y	445	535	560	560	610	\$20,674
572RSL4029	3050	12	240Y/480Y	445	535	560	560	610	\$20,971
572RSL4030	3110	10	240Y/480Y	485	575	600	600	645	\$21,444
572RSL4031	3110	12	240Y/480Y	485	575	600	600	645	\$21,747
573RSL4032	3400	10	240Y/480Y	570	680	700	700	765	\$24,956
573RSL4033	3400	12	240Y/480Y	570	680	700	700	765	\$25,413
573RSL4034	3620	10	240Y/480Y	585	710	750	750	810	\$27,257
573RSL4035	3620	12	240Y/480Y	585	710	750	750	810	\$27,708
574RSL4036	4080	10	240Y/480Y	670	800	825	825	900	\$29,090
574RSL4037	4080	12	240Y/480Y	670	800	825	825	900	\$29,557
574RSL4038	4240	4	480Y Only	720	860	915	920	970	\$30,620
575RSL4044	5000	4 Bars	480Y Only	800	975	1050	1060	1130	\$34,312
741RSL4044	5490	4 bars	480Y Only	865	1030	1080	1100	1100	\$35,678
741RSL4045	5490	12	240Y/480Y	865	1030	1080	1100	1100	\$37,978
740RSL4046	5200	4 Bars	480Y Only	950	1120	1200	1220	1250	\$40,279
742RSL4048	6300	4 Bars	480Y Only	1000	1200	1260	1300	1300	\$44,413
742RSL4049	6300	12	240Y/480Y	1000	1200	1260	1300	1300	\$47,478
742RSL4050	7230	4 Bars	480Y Only	1220	1430	1500	1500	1520	\$48,546
743RSL4052	7800	4 Bars	480Y Only	1310	1600	1700	1750	1750	\$56,660
744RSL4054	8600	4 Bars	480Y Only	1500	1850	1960	2000	2000	\$61,250
744RSL4056	9740	4 Bars	480Y Only	1700	2010	2160	2210	2260	\$68,907
744RSL4058	9740	4 Bars	480Y Only	1760	2100	2270	2320	2370	\$71,972
Form Wound Coil Designs									
744FSL4060	7300	4 Bars	480Y Only	1200	1430	1500	1500	1500	\$55,129
744FSL4062	8300	4 Bars	480Y Only	1500	1800	1900	1900	1900	\$65,851

MAGNAPOWER[®] ①②

1020FDL1100	15000	6	480Y Only	1880	2190	2290	2340	2340	\$158,492
1020FDL1102	15900	6	480Y Only	2000	2250	2500	2500	2500	\$174,580
1020FDL1104	16300	6	480Y Only	2160	2510	2620	2680	2730	\$178,077
1020FDL1106	17000	6	480Y Only	2250	2710	2800	2800	2800	\$183,001
1020FDL1108	17400	6	480Y Only	2340	2800	2900	3000	3000	\$220,517
1030FDL1110	20000	6	480Y Only	2530	3080	3260	3350	3350	\$253,546

① All 1000 frame generators have 4 bus bars, with the capability of differential protection.

② All 1000 frame generators incorporate form wound coils and VPI insulation systems.

Notes A, B, C, D, E, and F on page 64 apply to this page.

marathon[™]
 Generators

60 Hertz

4-Pole Three Phase

208Y or 416Y Volts
(12 Leads)
240 or 120 Volts Delta
(12 Leads)

1800 RPM
NEMA Class H Insulation
40°C Ambient
0.8 Power Factor Lagging
Shunt (Non-PMG) Excitation
SE350E AVR

MAGNAPLUS® Standard Models

Base Model	Net Wt. (lbs.)	No. of Leads ^④	Voltage	Bolt-on PMG Option Avail.	kW Rating @ Designated NEMA Rise					List Price
					Continuous			Standby		
					NEMA B 80°C R/R	NEMA F 105°C R/R	NEMA H 125°C R/R	NEMA F 130°C R/R	NEMA H 150°C R/R	
281CSL1502	220	12	208Y/416Y	Yes	9.5	10	11	11	12	\$2,835
282PSL1703 ^③	240	12	208Y/416Y	Ⓜ	11	12.5	13	13.5	14	\$2,983
282CSL1504	250	12	208Y/416Y	Yes	13.5	16	17	17	17.5	\$3,137
282CSL1505	275	12	208Y/416Y	Yes	19	21	22	22	23	\$3,374
283CSL1506	310	12	208Y/416Y	Yes	20	24	26	26	27	\$3,754
283CSL1507	350	12	208Y/416Y	Yes	24	27	30	30	32	\$4,057
284CSL1508	405	12	208Y/416Y	Yes	30	35	38	38	40	\$4,437
284CSL1542	420	12	208Y/416Y	Yes	32	36	40	40	41	\$4,601
361CSL1600 ^①	518	12	208Y/416Y	Yes	35	40	42	42	45	\$4,663
361CSL1601 ^①	569	12	208Y/416Y	Yes	45	50	55	55	58	\$5,053
361CSL1602 ^①	620	12	208Y/416Y	Yes	53	60	65	65	68	\$5,741
362CSL1604 ^①	706	12	208Y/416Y	Yes	65	72	80	80	85	\$6,203
362CSL1606 ^①	796	12	208Y/416Y	Yes	80	90	100	100	105	\$7,117
363CSL1607 ^①	943	12	208Y/416Y	Yes	100	110	125	125	135	\$7,656
431CSL6202 ^②	1220	12	208Y/416Y	Yes	125	140	147	151	155	\$8,647
431CSL6204 ^②	1310	12	208Y/416Y	Yes	142	165	175	176	182	\$9,495
431CSL6206 ^②	1415	12	208Y/416Y	Yes	170	191	202	210	217	\$10,501
431CSL6208 ^②	1455	12	208Y/416Y	Yes	176	203	216	225	227	\$11,097
432CSL6210 ^②	1685	12	208Y/416Y	Yes	220	260	275	280	287	\$11,718
432CSL6212 ^②	1760	12	208Y/416Y	Yes	225	260	276	280	300	\$13,253
433CSL6216 ^②	2235	12	208Y/416Y	Yes	290	343	366	375	387	\$14,856
433CSL6220 ^②	2245	12	208Y/416Y	Yes	315	362	385	400	417	\$15,764

MAGNAPLUS® Alternate Models^③

281PSL1722	225	12	208Y/416Y	Ⓜ	10	11	12	12	12.5	\$2,835
282PSL1704	270	12	208Y/416Y	Ⓜ	12.5	15	16	16	17.5	\$3,137
282PSL1705	295	12	208Y/416Y	Ⓜ	17	20	21	21	22	\$3,374
283PSL1706	336	12	208Y/416Y	Yes	21	23	25	25	28	\$3,754
283PSL1707	366	12	208Y/416Y	Yes	24	28	30	30	33	\$4,057
284PSL1708	405	12	208Y/416Y	Yes	30	32	35	35	40	\$4,437
284PSL1742	436	12	208Y/416Y	Yes	32	36	40	40	42	\$4,601
285PSL1700	480	12	208Y/416Y	Yes	36	40	45	45	47	\$4,663
286PSL1701	600	12	208Y/416Y	Yes	42	50	55	55	58	\$5,053
287PSL1702	670	12	208Y/416Y	Yes	48	55	60	60	63	\$5,741

① 361 to 433 PSL (single bearing) or PDL (double bearing) models are the alternate to CSL models and have equivalent performance and dimensions.

② PMG Option available as build-up only.

③ Specialty and two bearing orders utilize these windings in place of 280 frame CSL models.

④ All MAGNAPLUS models have linkboard as standard.

Notes A, B, C, D, E, and F on page 64 apply to this page.

1800 RPM
NEMA Class H Insulation
40°C Ambient
0.8 Power Factor Lagging
DVR®2000E+ AVR w/PMG Excitation

208Y or 416Y Volts
(10-12 Leads)
416Y Volts (4-6 Leads)
240 or 120 Volts Delta
(12 Leads)

4-Pole
Three Phase

60
Hertz

MAGNAMAX^{DVR}

Base Model	Net Wt. (lbs.)	No. of Leads	Voltage	kW Rating @ Designated NEMA Rise					List Price
				Continuous			Standby		
				NEMA B 80°C R/R	NEMA F 105°C R/R	NEMA H 125°C R/R	NEMA F 130°C R/R	NEMA H 150°C R/R	
431RSL4005	1280	12	208Y/416Y	118	132	138	138	138	\$9,952
431RSL4007	1370	12	208Y/416Y	132	150	160	160	168	\$10,414
432RSL4009	1550	12	208Y/416Y	166	187	200	200	200	\$11,030
432RSL4011	1570	12	208Y/416Y	183	207	219	221	221	\$11,559
432RSL4013	1600	12	208Y/416Y	193	219	231	235	250	\$11,872
432RSL4015	1810	12	208Y/416Y	232	262	262	262	262	\$12,714
432RSL4017	1830	12	208Y/416Y	238	275	287	287	310	\$14,167
433RSL4019	2340	12	208Y/416Y	290	325	350	350	360	\$15,764
433RSL4021	2365	12	208Y/416Y	315	355	375	380	400	\$16,699
572RSL4024	2730	10	208Y/416Y	385	435	440	440	450	\$18,204
572RSL4025	2730	12	208Y/416Y	385	435	440	440	450	\$18,517
572RSL4027	2840	12	208Y/416Y	400	445	470	475	505	\$18,835
572RSL4028	3050	10	208Y/416Y	450	510	525	525	535	\$20,674
572RSL4029	3050	12	208Y/416Y	450	510	525	525	535	\$20,971
572RSL4030	3110	10	208Y/416Y	460	525	555	565	600	\$21,444
572RSL4031	3110	12	208Y/416Y	460	525	555	565	600	\$21,747
573RSL4032	3400	10	208Y/416Y	570	650	685	700	725	\$24,956
573RSL4033	3400	12	208Y/416Y	570	650	685	700	725	\$25,413
573RSL4034	3620	10	208Y/416Y	590	680	720	725	725	\$27,257
573RSL4035	3620	12	208Y/416Y	590	680	720	725	725	\$27,708
574RSL4036	4080	10	208Y/416Y	630	725	770	785	825	\$29,090
574RSL4037	4080	12	208Y/416Y	630	725	770	785	825	\$29,557
574RSL4038	4240	4	416Y Only	675	770	820	835	885	\$30,620
575RSL4044	5000	4 Bars	416Y Only	760	890	950	975	1040	\$34,312
741RSL4044	5490	4 Bars	416Y Only	810	920	970	1000	1020	\$35,678
741RSL4045	5490	12	208Y/416Y	810	920	970	1000	1020	\$37,978
740RSL4046	5200	4 Bars	416Y Only	880	1020	1090	1110	1180	\$40,279
742RSL4048	6300	4 Bars	416Y Only	950	1100	1160	1180	1250	\$44,413
742RSL4049	6300	12	208Y/416Y	950	1100	1160	1180	1250	\$47,478
742RSL4050	7230	4 Bars	416Y Only	1110	1270	1340	1370	1410	\$48,546
743RSL4052	7800	4 Bars	416Y Only	1400	1610	1610	1610	1620	\$56,660
744RSL4054	8600	4 Bars	416Y Only	1420	1680	1800	1840	1840	\$61,250
744RSL4056	9740	4 Bars	416Y Only	1520	1780	1900	1950	2000	\$68,907
744RSL4058	9740	4 Bars	416Y Only	1640	1920	2050	2090	2240	\$71,972
Form Wound Coil Designs									
744FSL4060	7300	4 Bars	416Y Only	1190	1380	1440	1440	1440	\$55,129
744FSL4062	8300	4 Bars	416Y Only	1510	1750	1830	1830	1830	\$65,851

MAGNAPOWER[®]

1020FDL1100	15000	6	416Y Only	1920	2190	2280	2320	2320	\$158,492
1020FDL1102	15900	6	416Y Only	2040	2250	2500	2500	2500	\$174,580
1020FDL1104	16300	6	416Y Only	2200	2510	2610	2660	2710	\$178,077
1020FDL1106	17000	6	416Y Only	2450	2760	2750	2660	2660	\$183,001
1020FDL1108	17400	6	416Y Only	2550	2850	2850	2850	2850	\$220,517
1030FDL1110	20000	6	416Y Only	2620	3060	3210	3250	3250	\$253,546

- ① All 1000 frame generators have 4 bus bars, with the capability of differential protection.
 ② All 1000 frame generators incorporate form wound coils and VPI insulation systems.
 Notes A, B, C, D, E, and F on page 64 apply to this page.

60 Hertz

4-Pole Three Phase

220Y or 440Y Volts (12 Leads)

1800 RPM
NEMA Class H Insulation
40°C Ambient
0.8 Power Factor Lagging
Shunt (Non-PMG) Excitation
SE350E AVR

MAGNAPLUS® Standard Models

Base Model	Net Wt. (lbs.)	No. of Leads ^④	Voltage	Bolt-on PMG Option Avail.	kW Rating @ Designated NEMA Rise					List Price
					Continuous			Standby		
					NEMA B 80°C R/R	NEMA F 105°C R/R	NEMA H 125°C R/R	NEMA F 130°C R/R	NEMA H 150°C R/R	
281CSL1502	220	12	220Y/440Y	Yes	10	11	11.5	11.5	12.5	\$2,835
282PSL1703 ^②	240	12	220Y/440Y	②	11.5	13.5	14.5	15	15	\$2,983
282CSL1504	250	12	220Y/440Y	Yes	14	16.5	17.5	17.5	18.5	\$3,137
282CSL1505	275	12	220Y/440Y	Yes	19	21	23	23	24	\$3,374
283CSL1506	310	12	220Y/440Y	Yes	21	25	27	27	28	\$3,754
283CSL1507	350	12	220Y/440Y	Yes	25	28	31	31	33	\$4,057
284CSL1508	405	12	220Y/440Y	Yes	30	35	39	39	41	\$4,437
284CSL1542	420	12	220Y/440Y	Yes	33	37	41	41	43	\$4,601
361CSL1600 ^②	518	12	220Y/440Y	Yes	37	42	45	45	47	\$4,663
361CSL1601 ^②	569	12	220Y/440Y	Yes	48	53	58	58	61	\$5,053
361CSL1602 ^②	620	12	220Y/440Y	Yes	56	63	68	68	71	\$5,741
362CSL1604 ^②	706	12	220Y/440Y	Yes	68	76	84	84	89	\$6,203
362CSL1606 ^②	796	12	220Y/440Y	Yes	82	92	102	102	107	\$7,117
363CSL1607 ^②	943	12	220Y/440Y	Yes	105	115	130	130	140	\$7,656
431CSL6202 ^②	1220	12	220Y/440Y	Yes	125	143	151	153	160	\$8,647
431CSL6204 ^②	1310	12	220Y/440Y	Yes	143	167	177	180	185	\$9,495
431CSL6206 ^②	1415	12	220Y/440Y	Yes	172	200	212	220	226	\$10,501
431CSL6208 ^②	1455	12	220Y/440Y	Yes	180	210	221	225	233	\$11,097
432CSL6210 ^②	1685	12	220Y/440Y	Yes	221	261	278	283	292	\$11,718
432CSL6212 ^②	1760	12	220Y/440Y	Yes	227	266	285	290	300	\$13,253
433CSL6216 ^②	2235	12	220Y/440Y	Yes	290	348	372	380	395	\$14,856
433CSL6220 ^②	2245	12	220Y/440Y	Yes	317	375	397	410	423	\$15,764

MAGNAPLUS® Alternate Models^③

281PSL1722	225	12	220Y/440Y	②	10	11	12	12	12.5	\$2,835
282PSL1704	270	12	220Y/440Y	②	12.5	15	16.2	16.2	17.5	\$3,137
282PSL1705	295	12	220Y/440Y	②	17	20	21	21	22	\$3,374
283PSL1706	336	12	220Y/440Y	Yes	21	24	26	26	28	\$3,754
283PSL1707	366	12	220Y/440Y	Yes	24	29	31	31	34	\$4,057
284PSL1708	405	12	220Y/440Y	Yes	30	32	35	35	40	\$4,437
284PSL1742	436	12	220Y/440Y	Yes	32	36	40	40	43	\$4,601
285PSL1700	480	12	220Y/440Y	Yes	37	41	45	45	48	\$4,663
286PSL1701	600	12	220Y/440Y	Yes	43	50	56	56	60	\$5,053
287PSL1702	670	12	220Y/440Y	Yes	49	56	61	61	65	\$5,741

① 361 to 433 PSL (single bearing) or PDL (double bearing) models are the alternate to CSL models and have equivalent performance and dimensions.

② PMG Option available as build-up only.

③ Specialty and two bearing orders utilize these windings in place of 280 frame CSL models.

④ All MAGNAPLUS models have linkboard as standard.

Notes A, B, C, D, E, and F on page 64 apply to this page.

1800 RPM
 NEMA Class H Insulation
 40°C Ambient
 0.8 Power Factor Lagging
 DVR®2000E+ AVR w/PMG Excitation

220Y or 440Y Volts
 (10-12 Leads)
440Y Volts (4 Leads)

4-Pole
Three Phase

60
Hertz

MAGNAMAX[®]DVR[®]

Base Model	Net Wt. (lbs.)	No. of Leads	Voltage	kW Rating @ Designated NEMA Rise					List Price
				Continuous			Standby		
				NEMA B 80°C R/R	NEMA F 105°C R/R	NEMA H 125°C R/R	NEMA F 130°C R/R	NEMA H 150°C R/R	
431RSL4005	1280	12	220Y/440Y	126	140	146	146	146	\$9,952
431RSL4007	1370	12	220Y/440Y	139	156	165	168	177	\$10,414
432RSL4009	1550	12	220Y/440Y	178	201	207	207	207	\$11,030
432RSL4011	1570	12	220Y/440Y	191	217	230	235	235	\$11,559
432RSL4013	1600	12	220Y/440Y	202	230	240	240	256	\$11,872
432RSL4015	1810	12	220Y/440Y	243	276	277	277	277	\$12,714
432RSL4017	1830	12	220Y/440Y	245	280	295	295	315	\$14,167
433RSL4019	2340	12	220Y/440Y	300	335	360	360	375	\$15,764
433RSL4021	2365	12	220Y/440Y	315	360	380	390	410	\$16,699
572RSL4024	2730	10	220Y/440Y	400	455	465	465	465	\$18,204
572RSL4025	2730	12	220Y/440Y	400	455	465	465	465	\$18,517
572RSL4027	2840	12	220Y/440Y	410	460	485	500	520	\$18,835
572RSL4028	3050	10	220Y/440Y	470	535	560	560	560	\$20,674
572RSL4029	3050	12	220Y/440Y	470	535	560	560	560	\$20,971
572RSL4030	3110	10	220Y/440Y	480	545	580	590	625	\$21,444
572RSL4031	3110	12	220Y/440Y	480	545	580	590	625	\$21,747
573RSL4032	3400	10	220Y/440Y	595	680	725	730	765	\$24,956
573RSL4033	3400	12	220Y/440Y	595	680	725	730	765	\$25,413
573RSL4034	3620	10	220Y/440Y	620	715	760	765	765	\$27,257
573RSL4035	3620	12	220Y/440Y	620	715	760	765	765	\$27,708
574RSL4036	4080	10	220Y/440Y	660	760	805	820	875	\$29,090
574RSL4037	4080	12	220Y/440Y	660	760	805	820	875	\$29,557
574RSL4038	4240	4	440Y Only	705	810	860	875	930	\$30,620
575RSL4044	5000	4 Bars	440Y Only	785	925	995	1010	1090	\$34,312
741RSL4044	5490	4 Bars	440Y Only	840	960	1020	1030	1070	\$35,678
741RSL4045	5490	12	220Y/440Y	840	960	1020	1030	1070	\$37,978
740RSL4046	5200	4 Bars	440Y Only	915	1070	1140	1160	1240	\$40,279
742RSL4048	6300	4 Bars	440Y Only	1000	1140	1220	1240	1280	\$44,413
742RSL4049	6300	12	220Y/440Y	1000	1140	1220	1240	1280	\$47,478
742RSL4050	7230	4 Bars	440Y Only	1160	1340	1420	1450	1500	\$48,546
743RSL4052	7800	4 Bars	440Y Only	1420	1680	1710	1710	1710	\$56,660
744RSL4054	8600	4 Bars	440Y Only	1460	1750	1880	1920	1920	\$61,250
744RSL4056	9740	4 Bars	440Y Only	1590	1860	1990	2030	2100	\$68,907
744RSL4058	9740	4 Bars	440Y Only	1690	1990	2140	2180	2340	\$71,972
Form Wound Coil Designs									
744FSL4060	7300	4 Bars	440Y Only	1210	1400	1460	1460	1460	\$55,129
744FSL4062	8300	4 Bars	440Y Only	1530	1780	1860	1860	1860	\$65,851

Notes A, B, C, D, E, and F on page 64 apply to this page.

60 Hertz

4-Pole Three Phase Broad Range

208Y-240Y or 416Y-480Y 1800 RPM
Volts (12 Leads) NEMA Class H Insulation
240 or 120 Volts Delta 40°C Ambient
 (12 Leads) 0.8 Power Factor Lagging
 Shunt (Non-PMG) Excitation
 SE350E AVR

MAGNAPLUS® Standard Models

Base Model	Net Wt. (lbs.)	No. of Leads ^④	Voltage	Bolt-on PMG Option Avail.	kW Rating @ Designated NEMA Rise					List Price
					Continuous			Standby		
					NEMA B 80°C R/R	NEMA F 105°C R/R	NEMA H 125°C R/R	NEMA F 130°C R/R	NEMA H 150°C R/R	
281CSL1502	220	12	208Y-240Y/416Y-480Y	Yes	9.5	10	11	11	12	\$2,835
282PSL1703 ^③	240	12	208Y-240Y/416Y-480Y	②	11	12.5	13	13.5	14	\$2,983
282CSL1504	250	12	208Y-240Y/416Y-480Y	Yes	13.5	16	17	17	17.5	\$3,137
282CSL1505	275	12	208Y-240Y/416Y-480Y	Yes	19	21	22	22	23	\$3,374
283CSL1506	310	12	208Y-240Y/416Y-480Y	Yes	20	24	26	26	27	\$3,754
283CSL1507	350	12	208Y-240Y/416Y-480Y	Yes	24	27	30	30	32	\$4,057
284CSL1508	405	12	208Y-240Y/416Y-480Y	Yes	30	35	38	38	40	\$4,437
284CSL1542	420	12	208Y-240Y/416Y-480Y	Yes	32	36	40	40	41	\$4,601
361CSL1600 ^①	518	12	208Y-240Y/416Y-480Y	Yes	35	40	42	42	45	\$4,663
361CSL1601 ^①	569	12	208Y-240Y/416Y-480Y	Yes	45	50	55	55	58	\$5,053
361CSL1602 ^①	620	12	208Y-240Y/416Y-480Y	Yes	53	60	65	65	68	\$5,741
362CSL1604 ^①	706	12	208Y-240Y/416Y-480Y	Yes	65	72	80	80	85	\$6,203
362CSL1606 ^①	796	12	208Y-240Y/416Y-480Y	Yes	80	90	100	100	105	\$7,117
363CSL1607 ^①	943	12	208Y-240Y/416Y-480Y	Yes	100	110	125	125	135	\$7,656
431CSL6202 ^①	1220	12	208Y-240Y/416Y-480Y	Yes	125	140	147	151	155	\$8,647
431CSL6204 ^①	1310	12	208Y-240Y/416Y-480Y	Yes	142	165	175	176	182	\$9,495
431CSL6206 ^①	1415	12	208Y-240Y/416Y-480Y	Yes	165	191	202	210	217	\$10,501
431CSL6208 ^①	1455	12	208Y-240Y/416Y-480Y	Yes	176	203	216	225	227	\$11,097
432CSL6210 ^①	1685	12	208Y-240Y/416Y-480Y	Yes	211	255	275	280	287	\$11,718
432CSL6212 ^①	1760	12	208Y-240Y/416Y-480Y	Yes	225	260	276	280	300	\$13,253
433CSL6216 ^①	2235	12	208Y-240Y/416Y-480Y	Yes	280	342	366	375	387	\$14,856
433CSL6220 ^①	2245	12	208Y-240Y/416Y-480Y	Yes	310	362	385	400	417	\$15,764

MAGNAPLUS® Alternate Models^③

281PSL1722	225	12	208Y-240Y/416Y-480Y	②	8.8	10	11	11	12	\$2,835
282PSL1704	270	12	208Y-240Y/416Y-480Y	②	12.5	15	16	16	17.5	\$3,137
282PSL1705	295	12	208Y-240Y/416Y-480Y	②	17	20	21	21	22	\$3,374
283PSL1706	336	12	208Y-240Y/416Y-480Y	Yes	21	23	25	25	28	\$3,754
283PSL1707	366	12	208Y-240Y/416Y-480Y	Yes	24	28	30	30	33	\$4,057
284PSL1708	405	12	208Y-240Y/416Y-480Y	Yes	30	32	35	35	40	\$4,437
284PSL1742	436	12	208Y-240Y/416Y-480Y	Yes	32	36	40	40	42	\$4,601
285PSL1700	480	12	208Y-240Y/416Y-480Y	Yes	36	40	45	45	47	\$4,663
286PSL1701	600	12	208Y-240Y/416Y-480Y	Yes	42	50	55	55	58	\$5,053
287PSL1702	670	12	208Y-240Y/416Y-480Y	Yes	48	55	60	60	63	\$5,741

① 361 to 433 PSL (single bearing) or PDL (double bearing) models are the alternate to CSL models and have equivalent performance and dimensions.

② PMG Option available as build-up only.

③ Specialty and two bearing orders utilize these windings in place of 280 frame CSL models.

④ All MAGNAPLUS models have linkboard as standard.

Notes A, B, C, D, E, and F on page 64 apply to this page.

1800 RPM
 NEMA Class H Insulation
 40°C Ambient
 0.8 Power Factor Lagging
 DVR®2000E+ AVR w/PMG Excitation

**208Y-240Y or
 416Y-480Y Volts**
 (10-12 Leads)
240 or 120 Volts Delta
 (12 Leads)

**4-Pole
 Three Phase
 Broad Range**

**60
 Hertz**

MAGNAMAX^{DVR}

Base Model	Net Wt. (lbs.)	No. of Leads	Voltage	kW Rating @ Designated NEMA Rise					List Price
				Continuous			Standby		
				NEMA B 80°C R/R	NEMA F 105°C R/R	NEMA H 125°C R/R	NEMA F 130°C R/R	NEMA H 150°C R/R	
431RSL4005	1280	12	208Y-240Y/416Y-480Y	118	132	138	138	138	\$9,952
431RSL4007	1370	12	208Y-240Y/416Y-480Y	132	150	160	160	168	\$10,414
432RSL4009	1550	12	208Y-240Y/416Y-480Y	166	187	200	200	200	\$11,030
432RSL4011	1570	12	208Y-240Y/416Y-480Y	183	207	219	221	221	\$11,559
432RSL4013	1600	12	208Y-240Y/416Y-480Y	193	219	231	235	250	\$11,872
432RSL4015	1810	12	208Y-240Y/416Y-480Y	230	262	262	262	262	\$12,714
432RSL4017	1830	12	208Y-240Y/416Y-480Y	230	275	287	287	310	\$14,167
433RSL4019	2340	12	208Y-240Y/416Y-480Y	290	325	350	350	360	\$15,764
433RSL4021	2365	12	208Y-240Y/416Y-480Y	305	345	365	370	400	\$16,699
572RSL4024	2730	10	208Y-240Y/416Y-480Y	380	435	440	440	450	\$18,204
572RSL4025	2730	12	208Y-240Y/416Y-480Y	380	435	440	440	450	\$18,517
572RSL4027	2840	12	208Y-240Y/416Y-480Y	400	445	470	475	505	\$18,835
572RSL4028	3050	10	208Y-240Y/416Y-480Y	445	510	525	525	535	\$20,674
572RSL4029	3050	12	208Y-240Y/416Y-480Y	445	510	525	525	535	\$20,971
572RSL4030	3110	10	208Y-240Y/416Y-480Y	460	525	555	565	600	\$21,444
572RSL4031	3110	12	208Y-240Y/416Y-480Y	460	525	555	565	600	\$21,747
573RSL4032	3400	10	208Y-240Y/416Y-480Y	570	650	685	700	725	\$24,956
573RSL4033	3400	12	208Y-240Y/416Y-480Y	570	650	685	700	725	\$25,413
573RSL4034	3620	10	208Y-240Y/416Y-480Y	585	680	720	725	725	\$27,257
573RSL4035	3620	12	208Y-240Y/416Y-480Y	585	680	720	725	725	\$27,708
574RSL4036	4080	10	208Y-240Y/416Y-480Y	630	725	770	785	825	\$29,090
574RSL4037	4080	12	208Y-240Y/416Y-480Y	630	725	770	785	825	\$29,557
741RSL4045	5490	12	208Y-240Y/416Y-480Y	810	920	970	1000	1020	\$37,978
742RSL4049	6300	12	208Y-240Y/416Y-480Y	950	1100	1160	1180	1250	\$47,478

Notes A, B, C, D, E, and F on page 64 apply to this page.

NEW!

60
Hertz

**4-Pole
Three Phase**

200Y or 400Y Volts
(12 Leads)

1800 RPM
NEMA Class H Insulation
40°C Ambient
0.8 Power Factor Lagging
Shunt (Non-PMG) Excitation
SE350E AVR

MAGNAPLUS Standard Models

Base Model	Net Wt. (lbs.)	No. of Leads ^④	Voltage	Bolt-on PMG Option Avail.	kW Rating @ Designated NEMA Rise					List Price
					Continuous			Standby		
					NEMA B 80°C R/R	NEMA F 105°C R/R	NEMA H 125°C R/R	NEMA F 130°C R/R	NEMA H 150°C R/R	
281CSL1502	220	12	200Y/400Y	Yes	9.1	9.6	10.6	10.6	11.6	\$2,835
282PSL1703	240	12	200Y/400Y	Ⓜ	10.6	12.1	12.8	13.1	13.6	\$2,983
282CSL1504	250	12	200Y/400Y	Yes	12.8	15.3	16.3	16.3	16.8	\$3,137
282CSL1505	275	12	200Y/400Y	Yes	18.3	20	21	21	22	\$3,374
283CSL1506	310	12	200Y/400Y	Yes	19	23	25	25	26	\$3,754
283CSL1507	350	12	200Y/400Y	Yes	23	26	29	29	31	\$4,057
284CSL1508	405	12	200Y/400Y	Yes	29	34	37	37	38	\$4,437
284CSL1542	420	12	200Y/400Y	Yes	31	35	38	38	40	\$4,601
361CSL1600	518	12	200Y/400Y	Yes	34	38	40	40	43	\$4,663
361CSL1601	569	12	200Y/400Y	Yes	43	48	53	53	55	\$5,053
361CSL1602	620	12	200Y/400Y	Yes	51	58	63	63	65	\$5,741
362CSL1604	706	12	200Y/400Y	Yes	63	69	76	76	81	\$6,203
362CSL1606	796	12	200Y/400Y	Yes	76	86	96	96	101	\$7,117
363CSL1607	943	12	200Y/400Y	Yes	96	106	121	121	131	\$7,656
431CSL6202	1220	12	200Y/400Y	Yes	121	136	142	146	151	\$8,647
431CSL6204	1310	12	200Y/400Y	Yes	139	161	171	172	178	\$9,495
431CSL6206	1415	12	200Y/400Y	Yes	164	184	194	202	209	\$10,501
431CSL6208	1455	12	200Y/400Y	Yes	172	198	210	217	221	\$11,097
432CSL6210	1685	12	200Y/400Y	Yes	217	253	268	273	282	\$11,718
432CSL6212	1760	12	200Y/400Y	Yes	219	252	267	273	289	\$13,253
433CSL6216	2235	12	200Y/400Y	Yes	286	337	359	367	380	\$14,856
433CSL6220	2245	12	200Y/400Y	Yes	305	350	372	385	403	\$15,764

MAGNAPLUS Alternate Models^③

281PSL1722	225	12	200Y/400Y	Ⓜ	9.3	10.6	11.6	11.6	12.1	\$2,835
282PSL1704	270	12	200Y/400Y	Ⓜ	12.1	14.3	15.3	15.4	18.1	\$3,137
282PSL1705	295	12	200Y/400Y	Ⓜ	16.1	19.1	20	20	21	\$3,374
283PSL1706	336	12	200Y/400Y	Yes	20	22	24	24	27	\$3,754
283PSL1707	366	12	200Y/400Y	Yes	23	27	29	29	32	\$4,057
284PSL1708	405	12	200Y/400Y	Yes	29	31	34	34	39	\$4,437
284PSL1742	436	12	200Y/400Y	Yes	31	35	39	39	40	\$4,601
285PSL1700	480	12	200Y/400Y	Yes	35	39	43	43	45	\$4,663
286PSL1701	600	12	200Y/400Y	Yes	40	48	53	53	56	\$5,053
287PSL1702	670	12	200Y/400Y	Yes	46	53	58	58	61	\$5,741

① 361 to 433 PSL (single bearing) or PDL (double bearing) models are the alternate to CSL models and have equivalent performance and dimensions.

② PMG Option available as build-up only.

③ Specialty and two bearing orders utilize these windings in place of 280 frame CSL models.

④ All MAGNAPLUS models have linkboard as standard.

Notes A, B, C, D, E, and F on page 64 apply to this page.

NEW!

1800 RPM
NEMA Class H Insulation
40°C Ambient
0.8 Power Factor Lagging
DVR®2000E+ AVR w/PMG Excitation

200Y or 400Y Volts
(10-12 Leads)
400Y Volts (4-6 Leads)

4-Pole
Three Phase

60
Hertz

MAGNAMAX[®]DVR[®]

Base Model	Net Wt. (lbs.)	No. of Leads	Voltage	kW Rating @ Designated NEMA Rise					List Price
				Continuous			Standby		
				NEMA B 80°C R/R	NEMA F 105°C R/R	NEMA H 125°C R/R	NEMA F 130°C R/R	NEMA H 150°C R/R	
431RSL4005	1280	12	200Y/400Y	114	128	131	131	131	\$9,952
431RSL4007	1370	12	200Y/400Y	127	144	149	149	153	\$10,414
432RSL4009	1550	12	200Y/400Y	160	179	186	186	186	\$11,030
432RSL4011	1570	12	200Y/400Y	177	199	206	207	207	\$11,559
432RSL4013	1600	12	200Y/400Y	187	211	217	219	227	\$11,872
432RSL4015	1810	12	200Y/400Y	225	252	252	252	252	\$12,714
432RSL4017	1830	12	200Y/400Y	232	266	273	273	285	\$14,167
433RSL4019	2340	12	200Y/400Y	283	316	330	330	335	\$15,764
433RSL4021	2365	12	200Y/400Y	299	337	348	350	361	\$16,699
572RSL4024	2730	10	200Y/400Y	369	419	422	422	428	\$18,204
572RSL4025	2730	12	200Y/400Y	369	419	422	422	428	\$18,517
572RSL4027	2840	12	200Y/400Y	382	427	441	443	459	\$18,835
572RSL4028	3050	10	200Y/400Y	434	492	500	500	506	\$20,674
572RSL4029	3050	12	200Y/400Y	434	492	500	500	506	\$20,971
572RSL4030	3110	10	200Y/400Y	444	507	524	529	547	\$21,444
572RSL4031	3110	12	200Y/400Y	444	507	524	529	547	\$21,747
573RSL4032	3400	10	200Y/400Y	550	626	644	652	666	\$24,956
573RSL4033	3400	12	200Y/400Y	550	626	644	652	666	\$25,413
573RSL4034	3620	10	200Y/400Y	570	656	677	680	680	\$27,257
573RSL4035	3620	12	200Y/400Y	570	656	677	680	680	\$27,708
574RSL4036	4080	10	200Y/400Y	612	701	725	733	754	\$29,090
574RSL4037	4080	12	200Y/400Y	612	701	725	733	754	\$29,557
574RSL4038	4240	4	400Y Only	651	741	768	776	802	\$30,620
575RSL4044	5000	4 Bars	400Y Only	742	863	896	909	943	\$34,312
741RSL4044	5490	4 Bars	400Y Only	779	884	911	927	938	\$35,678
741RSL4045	5490	12	200Y/400Y	779	884	911	927	938	\$37,978
740RSL4046	5200	4 Bars	400Y Only	856	987	1025	1035	1072	\$40,279
742RSL4048	6300	4 Bars	400Y Only	928	1069	1102	1112	1149	\$44,413
742RSL4049	6300	12	200Y/400Y	928	1069	1102	1112	1149	\$47,478
742RSL4050	7230	4 Bars	400Y Only	1070	1221	1259	1275	1296	\$48,546
743RSL4052	7800	4 Bars	400Y Only	1351	1552	1552	1552	1558	\$56,660
744RSL4054	8600	4 Bars	400Y Only	1394	1640	1706	1727	1727	\$61,250
744RSL4056	9740	4 Bars	400Y Only	1480	1722	1833	1879	1934	\$68,907
744RSL4058	9740	4 Bars	400Y Only	1600	1863	1988	2028	2165	\$71,972
Form Wound Coil Designs									
744FSL4060	7300	4 Bars	400Y Only	1159	1336	1368	1368	1368	\$55,129
744FSL4062	8300	4 Bars	400Y Only	1475	1706	1750	1750	1750	\$65,851

MAGNAPOWER[®]

1020FDL1100	15000	6	400Y Only	1876	2132	2220	2260	2260	\$158,492
1020FDL1102	15900	6	400Y Only	1990	2190	2430	2430	2430	\$174,580
1020FDL1104	16300	6	400Y Only	2150	2445	2540	2590	2635	\$178,077
1020FDL1106	17000	6	400Y Only	2440	2650	2640	2550	2550	\$183,001
1020FDL1108	17400	6	400Y Only	2540	2740	2740	2740	2740	\$220,517
1030FDL1110	20000	6	400Y Only	2580	3030	3100	3125	3125	\$253,546

① All 1000 frame generators have 4 bus bars, with the capability of differential protection.

② All 1000 frame generators incorporate form wound coils and VPI insulation systems.

Notes A, B, C, D, E, and F on page 64 apply to this page.

marathon[™]
Generators

60 Hertz

4-Pole Three Phase (Std. 480 Volt Designs)

190Y or 380Y Volts
(12 Leads)
220 or 110 Volts Delta
(12 Leads)

1800 RPM
NEMA Class H Insulation
40°C Ambient
0.8 Power Factor Lagging
Shunt (Non-PMG) Excitation
SE350E AVR

MAGNAPLUS® Standard Models

Base Model	Net Wt. (lbs.)	No. of Leads ^④	Voltage	Bolt-on PMG Option Avail.	kW Rating @ Designated NEMA Rise					List Price
					Continuous			Standby		
					NEMA B 80°C R/R	NEMA F 105°C R/R	NEMA H 125°C R/R	NEMA F 130°C R/R	NEMA H 150°C R/R	
281CSL1502	220	12	190Y/380Y	Yes	8.5	9	10	10	11	\$2,835
282PSL1703 ^②	240	12	190Y/380Y	⊙	10	11.5	12.5	12.5	13	\$2,983
282CSL1504	250	12	190Y/380Y	Yes	12	14.5	15.5	15.5	16	\$3,137
282CSL1505	275	12	190Y/380Y	Yes	17.5	19	20	20	21	\$3,374
283CSL1506	310	12	190Y/380Y	Yes	18	22	23	23	24	\$3,754
283CSL1507	350	12	190Y/380Y	Yes	22	25	27	27	29	\$4,057
284CSL1508	405	12	190Y/380Y	Yes	27	32	35	35	36	\$4,437
284CSL1542	420	12	190Y/380Y	Yes	29	33	36	36	38	\$4,601
361CSL1600 ^①	518	12	190Y/380Y	Yes	32	36	38	38	41	\$4,663
361CSL1601 ^①	569	12	190Y/380Y	Yes	41	45	50	50	52	\$5,053
361CSL1602 ^①	620	12	190Y/380Y	Yes	48	55	60	60	62	\$5,741
362CSL1604 ^①	706	12	190Y/380Y	Yes	60	65	72	72	77	\$6,203
362CSL1606 ^①	796	12	190Y/380Y	Yes	72	81	90	90	95	\$7,117
363CSL1607 ^①	943	12	190Y/380Y	Yes	90	100	115	115	125	\$7,656
431CSL6202 ^①	1220	12	190Y/380Y	Yes	115	130	135	140	145	\$8,647
431CSL6204 ^①	1310	12	190Y/380Y	Yes	136	155	165	167	172	\$9,495
431CSL6206 ^①	1415	12	190Y/380Y	Yes	156	176	185	191	200	\$10,501
431CSL6208 ^①	1455	12	190Y/380Y	Yes	167	192	203	207	213	\$11,097
432CSL6210 ^①	1685	12	190Y/380Y	Yes	213	245	260	265	275	\$11,718
432CSL6212 ^①	1760	12	190Y/380Y	Yes	212	243	256	265	275	\$13,253
433CSL6216 ^①	2235	12	190Y/380Y	Yes	281	330	350	357	370	\$14,856
433CSL6220 ^①	2245	12	190Y/380Y	Yes	292	335	355	367	385	\$15,764

MAGNAPLUS® Alternate Models^③

281PSL1722	225	12	190Y/380Y	⊙	8.5	10	11	11	11.5	\$2,835
282PSL1704	270	12	190Y/380Y	⊙	11.5	13.5	14.5	14.6	16	\$3,137
282PSL1705	295	12	190Y/380Y	⊙	15	18	19	19	20	\$3,374
283PSL1706	336	12	190Y/380Y	Yes	19	21	23	23	26	\$3,754
283PSL1707	366	12	190Y/380Y	Yes	22	26	27	27	30	\$4,057
284PSL1708	405	12	190Y/380Y	Yes	27	29	32	32	37	\$4,437
284PSL1742	436	12	190Y/380Y	Yes	29	33	37	37	38	\$4,601
285PSL1700	480	12	190Y/380Y	Yes	33	37	41	41	43	\$4,663
286PSL1701	600	12	190Y/380Y	Yes	38	46	50	50	53	\$5,053
287PSL1702	670	12	190Y/380Y	Yes	44	50	55	55	58	\$5,741

See dedicated 380 Volt generators on page 16 for improved ratings and transient performance.

- ① 361 to 433 PSL (single bearing) or PDL (double bearing) models are the alternate to CSL models and have equivalent performance and dimensions.
 - ② PMG Option available as build-up only.
 - ③ Specialty and two bearing orders utilize these windings in place of 280 frame CSL models.
 - ④ All MAGNAPLUS models have linkboard as standard.
- Notes A, B, C, D, E, and F on page 64 apply to this page.

1800 RPM
NEMA Class H Insulation
40°C Ambient
0.8 Power Factor Lagging
DVR®2000E+ AVR w/PMG Excitation

190Y or 380Y Volts
(10-12 Leads)
380Y Volts (4-6 Leads)
220 or 110 Volts Delta
(12 Leads)

4-Pole
Three Phase
(Std. 480 Volt Designs)

60
Hertz

MAGNAMAX^{DVR}

Base Model	Net Wt. (lbs.)	No. of Leads	Voltage	kW Rating @ Designated NEMA Rise					List Price
				Continuous			Standby		
				NEMA B 80°C R/R	NEMA F 105°C R/R	NEMA H 125°C R/R	NEMA F 130°C R/R	NEMA H 150°C R/R	
431RSL4005	1280	12	190Y/380Y	109	122	122	122	122	\$9,952
431RSL4007	1370	12	190Y/380Y	121	136	136	136	136	\$10,414
432RSL4009	1550	12	190Y/380Y	152	170	170	170	170	\$11,030
432RSL4011	1570	12	190Y/380Y	169	190	190	190	190	\$11,559
432RSL4013	1600	12	190Y/380Y	180	200	200	200	200	\$11,872
432RSL4015	1810	12	190Y/380Y	217	240	240	240	240	\$12,714
432RSL4017	1830	12	190Y/380Y	225	255	255	255	255	\$14,167
433RSL4019	2340	12	190Y/380Y	275	305	305	305	305	\$15,764
433RSL4021	2365	12	190Y/380Y	280	315	315	315	315	\$16,699
572RSL4024	2730	10	190Y/380Y	350	400	400	400	400	\$18,204
572RSL4025	2730	12	190Y/380Y	350	400	400	400	400	\$18,517
572RSL4027	2840	12	190Y/380Y	360	405	405	405	405	\$18,835
572RSL4028	3050	10	190Y/380Y	415	470	470	470	470	\$20,674
572RSL4029	3050	12	190Y/380Y	415	470	470	470	470	\$20,971
572RSL4030	3110	10	190Y/380Y	425	485	485	485	485	\$21,444
572RSL4031	3110	12	190Y/380Y	425	485	485	485	485	\$21,747
573RSL4032	3400	10	190Y/380Y	525	595	595	595	595	\$24,956
573RSL4033	3400	12	190Y/380Y	525	595	595	595	595	\$25,413
573RSL4034	3620	10	190Y/380Y	545	625	625	625	625	\$27,257
573RSL4035	3620	12	190Y/380Y	545	625	625	625	625	\$27,708
574RSL4036	4080	10	190Y/380Y	590	670	670	670	670	\$29,090
574RSL4037	4080	12	190Y/380Y	590	670	670	670	670	\$29,557
574RSL4038	4240	4	380Y Only	620	705	705	705	705	\$30,620
575RSL4044	5000	4 Bars	380Y Only	720	830	830	830	830	\$34,312
741RSL4044	5490	4 Bars	380Y Only	740	840	840	840	840	\$35,678
741RSL4045	5490	12	190Y/380Y	740	840	840	840	840	\$37,978
740RSL4046	5200	4 Bars	380Y Only	825	945	945	945	945	\$40,279
742RSL4048	6300	4 Bars	380Y Only	900	1030	1030	1030	1030	\$44,413
742RSL4049	6300	12	190Y/380Y	900	1030	1030	1030	1030	\$47,478
742RSL4050	7230	4 Bars	380Y Only	1020	1160	1160	1160	1160	\$48,546
743RSL4052	7800	4 Bars	380Y Only	1290	1480	1480	1480	1480	\$56,660
744RSL4054	8600	4 Bars	380Y Only	1360	1590	1590	1590	1590	\$61,250
744RSL4056	9740	4 Bars	380Y Only	1430	1650	1750	1790	1850	\$68,907
744RSL4058	9740	4 Bars	380Y Only	1550	1790	1910	1950	2070	\$71,972
Form Wound Coil Designs									
744FSL4060	7300	4 Bars	380Y Only	1120	1280	1280	1280	1280	\$55,129
744FSL4062	8300	4 Bars	380Y Only	1430	1650	1650	1650	1650	\$65,851

See dedicated 380 Volt generators on page 12 for improved ratings and transient performance.

MAGNAPOWER[®]

1020FDL1100	15000	6	380Y Only	1820	2060	2140	2180	2180	\$158,492
1020FDL1102	15900	6	380Y Only	1930	2115	2340	2340	2340	\$174,580
1020FDL1104	16300	6	380Y Only	2090	2360	2450	2500	2540	\$178,077
1020FDL1106	17000	6	380Y Only	2430	2510	2510	2420	2420	\$183,001
1020FDL1108	17400	6	380Y Only	2530	2600	2600	2600	2600	\$220,517
1030FDL1110	20000	6	380Y Only	2540	3000	3000	3000	3000	\$253,546

① All 1000 frame generators have 4 bus bars, with the capability of differential protection.

② All 1000 frame generators incorporate form wound coils and VPI insulation systems.

Notes A, B, C, D, E, and F on page 64 apply to this page.

marathon[™]
Generators

60 Hertz

**4-Pole
Three Phase
Dedicated Design**

380Y/219 Volts
(4 Leads)

1800 RPM
NEMA Class H Insulation
40°C Ambient
0.8 Power Factor Lagging

MAGNAPLUS® Shunt (Non-PMG) Excitation

Base Model	Net Wt. (lbs.)	No. of Leads ①	Bolt-on PMG Option Avail.	Std. AVR	kW Rating @ Designated NEMA Rise					List Price
					Continuous			Standby		
					NEMA B 80°C R/R	NEMA F 105°C R/R	NEMA H 125°C R/R	NEMA F 130°C R/R	NEMA H 150°C R/R	
431PSL6230	1220	4	Yes	SE350E	125	140	150	155	160	\$8,647
431PSL6232	1415	4	Yes	SE350E	140	165	175	180	185	\$10,501
431PSL6234	1455	4	Yes	SE350E	175	200	220	225	230	\$11,097
432PSL6236	1760	4	Yes	SE350E	225	265	285	290	300	\$13,253
433PSL6238	2245	4	Yes	SE350E	300	350	375	390	400	\$15,764

MAGNAMAX^{DVR}® PMG Excitation

Base Model	Net Wt. (lbs.)	No. of Leads	Std. AVR	kW Rating @ Designated NEMA Rise					List Price
				Continuous			Standby		
				NEMA B 80°C R/R	NEMA F 105°C R/R	NEMA H 125°C R/R	NEMA F 130°C R/R	NEMA H 150°C R/R	
431RSL4152	1280	4	DVR®2000E+	120	140	150	150	160	\$9,952
432RSL4154	1550	4	DVR®2000E+	165	185	200	200	200	\$11,030
432RSL4156	1830	4	DVR®2000E+	225	275	290	300	310	\$14,167
433RSL4158	2365	4	DVR®2000E+	300	345	370	370	400	\$15,764
572RSL4160	2730	4	DVR®2000E+	355	425	450	450	480	\$17,531
572RSL4162	2840	4	DVR®2000E+	425	485	500	500	525	\$18,835
573RSL4164	3400	4	DVR®2000E+	510	605	640	640	700	\$22,507
574RSL4166	4080	4	DVR®2000E+	670	800	830	830	900	\$29,090
574RSL4168	4240	4	DVR®2000E+	715	855	910	915	965	\$30,620
741RSL4170	5490	4 Bars	DVR®2000E+	850	1015	1065	1085	1085	\$35,673
742RSL4172	6300	4 Bars	DVR®2000E+	1000	1200	1260	1300	1300	\$44,413
743RSL4174	7800	4 Bars	DVR®2000E+	1260	1550	1650	1700	1700	\$56,660
744RSL4176	8600	4 Bars	DVR®2000E+	1500	1850	1950	2000	2000	\$61,250

① All MAGNAPLUS® models have linkboard as standard.
Notes A, B, C, D, E, and F on page 64 apply to this page.

1800 RPM
NEMA Class H Insulation
40°C Ambient
0.8 Power Factor Lagging

600Y/346 Volts

4-Pole
Three Phase
Dedicated Design

60
Hertz

MAGNAPLUS[®] Shunt (Non-PMG) Excitation

Base Model	Net Wt. (lbs.)	No. of Leads ^③	Bolt-on PMG Option Avail.	Std. AVR	kW Rating @ Designated NEMA Rise					List Price
					Continuous			Standby		
					NEMA B 80°C R/R	NEMA F 105°C R/R	NEMA H 125°C R/R	NEMA F 130°C R/R	NEMA H 150°C R/R	
281PSL5246	220	4	No	SE350E	8.8	10	11	11	12	\$2,835
282PSL5247	240	4	No	SE350E	11.5	13.5	14.5	15	15.5	\$2,983
282PSL5248	270	4	No	SE350E	12.5	15	16.5	16.5	17.5	\$3,137
282PSL5249	295	4	No	SE350E	17	20	21	21	22	\$3,374
283PSL5250	336	4	Yes	SE350E	22	25	27	27	29	\$3,754
283PSL5251	366	4	Yes	SE350E	25	30	33	33	35	\$4,057
284PSL5252	405	4	Yes	SE350E	30	32	35	35	40	\$4,437
284PSL5253	436	4	Yes	SE350E	32	36	40	40	45	\$4,601
285PSL5254	480	4	Yes	SE350E	38	43	45	45	50	\$4,663
361PSL1632	518	4	Yes	SE350E	40	45	48	48	50	\$4,663
361PSL1633	569	4	Yes	SE350E	49	55	60	60	65	\$5,053
361PSL1634	620	4	Yes	SE350E	58	65	70	70	76	\$5,741
362PSL1635	706	4	Yes	SE350E	75	84	90	90	95	\$6,203
362PSL1636	796	4	Yes	SE350E	80	96	105	105	113	\$7,117
363PSL1658	943	4	Yes	SE350E	110	125	135	135	150	\$7,656
431PSL6240	1220	4	Yes	SE350E	125	140	150	155	160	\$8,647
431PSL6242	1415	4	Yes	SE350E	140	170	175	180	190	\$9,495
431PSL6243	1455	4	Yes	SE350E	180	210	225	230	240	\$11,097
432PSL6246	1760	4	Yes	SE350E	230	275	300	305	310	\$13,253
433PSL6248	2245	4	Yes	SE350E	310	375	400	410	430	\$15,764

MAGNAMAX^{DVR} PMG Excitation

Base Model	Net Wt. (lbs.)	No. of Leads	Std. AVR	kW Rating @ Designated NEMA Rise					List Price
				Continuous			Standby		
				NEMA B 80°C R/R	NEMA F 105°C R/R	NEMA H 125°C R/R	NEMA F 130°C R/R	NEMA H 150°C R/R	
431RSS4252	1280	4	DVR [®] 2000E+	125	145	150	150	155	\$9,952
431RSS4254	1370	4	DVR [®] 2000E+	135	160	165	175	175	\$10,414
432RSS4256	1550	4	DVR [®] 2000E+	170	200	210	210	215	\$11,030
432RSS4258	1570	4	DVR [®] 2000E+	185	215	225	225	245	\$11,559
432RSS4260	1600	4	DVR [®] 2000E+	200	235	250	250	260	\$11,872
432RSS4264	1830	4	DVR [®] 2000E+	225	275	290	300	310	\$14,167
433RSS4266	2365	4	DVR [®] 2000E+	325	375	400	400	435	\$16,699
572RSS4270	2840	4	DVR [®] 2000E+	420	475	500	510	540	\$18,835
572RSS4272	3110	4	DVR [®] 2000E+	485	575	600	600	640	\$21,444
573RSS4274	3400	4	DVR [®] 2000E+	565	640	700	700	725	\$24,956
573RSS4276	3620	4	DVR [®] 2000E+	575	685	725	725	780	\$27,257
574RSS4278	4080	4	DVR [®] 2000E+	700	825	875	875	900	\$29,090
574RSS4280	4240	4	DVR [®] 2000E+	800	900	960	960	980	\$30,620
741RSS4282	5300	4 Bars	DVR [®] 2000E+	765	950	1000	1040	1050	\$34,312
741RSS4284	5490	4 Bars	DVR [®] 2000E+	865	1030	1080	1100	1100	\$35,673
742RSS4286	5950	4 Bars	DVR [®] 2000E+	960	1100	1180	1200	1200	\$40,736
743RSS4288	7230	4 Bars	DVR [®] 2000E+	1120	1330	1330	1400	1400	\$48,546
743RSS4290	7800	4 Bars	DVR [®] 2000E+	1300	1550	1650	1700	1700	\$56,660
744RSS4292	8600	4 Bars	DVR [®] 2000E+	1500	1850	1950	2000	2000	\$61,250

MAGNAPOWER[®] ①② PMG Excitation

1020FDS1120	15430	6	DVR [®] 2000E+	1750	2000	2250	2250	2250	\$167,997
1020FDS1122	15835	6	DVR [®] 2000E+	2000	2250	2500	2500	2500	\$185,065
1020FDS1124	17850	6	DVR [®] 2000E+	2250	2500	2800	2800	2800	\$194,026
1030FDS1126	19875	6	DVR [®] 2000E+	2500	2800	3000	3000	3000	\$206,956
1030FDS1128	20000	6	DVR [®] 2000E+	2500	3000	3250	3250	3250	\$226,623

① All 1000 frame generators have 4 bus bars, with the capability of differential protection.

② All 1000 frame generators incorporate form wound coils and VPI insulation systems.

③ All MAGNAPLUS models have linkboard as standard.

④ Harsh Duty Insulation Systems are available - see page 62.

Notes A, B, C, D, E, and F on page 64 apply to this page.

NEW!**60**
Hertz**4-Pole
Three Phase
Multivoltage****480Y-600Y or
208Y-240Y Volts**
(12 Lead)1800 RPM
NEMA Class H Insulation
40°C Ambient
0.8 Power Factor Lagging
Shunt (Non-PMG) Excitation
SE350E AVR**FEATURES:**

Twelve (12) lead, re-connectable main stator windings provide the maximum in flexibility. This allows a single generator to provide 480-600V, 208-240V 3 Phase and 240V/120V Single Phase power for mobile and rental applications.

MAGNAPLUS®

Base Model	Net Wt. (lbs.)	No. of Leads ^①	Bolt-on PMG Option Avail.	kW Rating @ Designated NEMA Rise					List Price
				Continuous			Standby		
				NEMA B 80°C R/R	NEMA F 105°C R/R	NEMA H 125°C R/R	NEMA F 130°C R/R	NEMA H 150°C R/R	
281PSL5261	220	12	No	8.8	10	11	11	12	\$3,119
282PSL5262	240	12	No	11.5	13.5	14.5	15	15.5	\$3,281
282PSL5263	270	12	No	12.5	15	16.5	16.5	17.5	\$3,451
282PSL5255	295	12	No	17	20	21	21	22	\$3,711
283PSL5256	336	12	Yes	22	25	27	27	29	\$4,129
283PSL5257	366	12	Yes	25	30	33	33	35	\$4,462
284PSL5258	405	12	Yes	30	32	35	35	40	\$4,881
284PSL5264	436	12	Yes	32	36	40	40	45	\$5,061
285PSL5260	480	12	Yes	38	43	45	45	50	\$5,129
361PSL3177	518	12	Yes	40	45	48	48	50	\$5,129
361PSL3178	569	12	Yes	49	55	60	60	65	\$5,558
361PSL1670	620	12	Yes	58	65	70	70	76	\$6,315
362PSL1667	706	12	Yes	75	84	90	90	95	\$6,823
362PSL1668	796	12	Yes	80	96	105	105	113	\$7,829
363PSL1666	943	12	Yes	110	125	135	135	150	\$8,422
431PSL6508	1220	12	Yes	125	140	150	155	160	\$9,512
431PSL6509	1415	12	Yes	140	170	175	180	190	\$10,445
431PSL6505	1455	12	Yes	180	210	225	230	240	\$12,207
432PSL6506	1760	12	Yes	230	275	300	305	310	\$14,578
433PSL6507	2245	12	Yes	310	375	400	410	430	\$17,340

① All MAGNAPLUS® models have linkboard as standard.

② Harsh Duty Insulation Systems are available - see page 62.
Notes A, B, C, D, E, and F on page 64 apply to this page.

NEW!

860 Frame



1800 RPM
NEMA Class H Insulation
40°C Ambient
0.8 Power Factor Lagging
DVR®2000E+ AVR w/PMG Excitation

480Y Volts
(6 Leads)

**4-Pole
Three Phase**

**60
Hertz**

Base Model	Net Wt. (lbs.)	No. of Leads	Voltage	kW Rating @ Designated NEMA Rise			List Price
				Continuous	Standby		
				NEMA H 125°C R/R	NEMA F 130°C R/R	NEMA H 150°C R/R	
861RSL86002	11060	6	480Y Only	2300	2300	2400	\$160,269
862RSL86004	12220	6	480Y Only	2500	2500	2600	\$198,465
862RSL86006	13780	6	480Y Only	2800	2800	2900	\$228,191

1500 RPM
NEMA Class H Insulation
40°C Ambient
0.8 Power Factor Lagging
DVR®2000E+ AVR w/PMG Excitation

400Y Volts
(6 Leads)

**4-Pole
Three Phase**

**50
Hertz**

Base Model	Net Wt. (lbs.)	No. of Leads	Voltage	kVA Rating @ Designated NEMA Rise			List Price
				Continuous	Standby		
				NEMA H 125°C R/R	NEMA F 130°C R/R	NEMA H 150°C R/R	
861RSL86002	11060	6	400Y Only	2500	2500	2600	\$160,269
862RSL86004	12220	6	400Y Only	2688	2688	2800	\$198,465
862RSL86006	13780	6	400Y Only	3000	3000	3125	\$228,191

All 860 frame generators have 4 bus bars, with the capability of differential protection.
Notes A, B, C, D, E, and F on page 64 apply to this page.

60 Hertz

4-Pole Single Phase

240/120 Volts (12 Leads)®
480/240 Volts (12 Leads)®
120 Volts Delta
 (12 Leads)

1800 RPM
 NEMA Class H Insulation
 40°C Ambient

MAGNAPLUS® Standard Models®®, SE350E AVR with Shunt (Non-PMG) Excitation

Base Model	Net Wt. (lbs.)	Bolt-on PMG Option Avail.	kW Rating @ Designated NEMA Rise										List Price
			0.8 Power Factor Lagging					1.0 Power Factor					
			Continuous			Standby		Continuous			Standby		
			NEMA B 80°C R/R	NEMA F 105°C R/R	NEMA H 125°C R/R	NEMA F 130°C R/R	NEMA H 150°C R/R	NEMA B 80°C R/R	NEMA F 105°C R/R	NEMA H 125°C R/R	NEMA F 130°C R/R	NEMA H 150°C R/R	
281CSL1502	220	Yes	6.2	6.8	7.5	7.5	7.7	8	8.5	9.5	9.5	10	\$2,835
282PSL1703®	240	®	7	7.8	8.1	8.2	8.5	9.2	10	11	11	12	\$2,983
282CSL1504	250	Yes	8.7	9.5	10	10	11	11	12	13	13	14	\$3,137
282CSL1505	275	Yes	11	12	13	13	14	14	16	17	17	18	\$3,374
283CSL1506	310	Yes	13.5	15	16	16	17	17.5	19	20	20	22	\$3,754
283CSL1507	350	Yes	15.5	17	18	18	20	20	22	25	25	26	\$4,057
284CSL1508	405	Yes	20	22	24	25	26	25	29	31	31	33	\$4,437
284CSL1542	420	Yes	20	23	24	24	27	26	29	32	32	33	\$4,601
361CSL1600®	518	Yes	25	28	30	30	32	31	36	38	39	40	\$4,663
361CSL1601®	569	Yes	30	33	35	35	37	38	42	45	45	48	\$5,053
361CSL1602®	620	Yes	35	40	42	42	45	45	51	55	55	60	\$5,741
362CSL1604®	706	Yes	41	47	50	51	54	53	61	66	66	71	\$6,203
362CSL1606®	796	Yes	49	55	59	60	64	66	76	78	79	85	\$7,117
363CSL1607®	943	Yes	60	66	72	73	78	80	90	95	97	100	\$7,656
431CSL6202®	1220	Yes	77	90	95	96	100	96	115	120	121	125	\$8,647
431CSL6204®	1310	Yes	85	100	106	107	110	106	125	133	135	140	\$9,495
431CSL6206®	1415	Yes	105	120	130	132	135	131	150	165	166	175	\$10,501
431CSL6208®	1455	Yes	105	120	130	132	136	131	150	165	166	175	\$11,097
432CSL6210®	1685	Yes	125	147	158	161	165	156	185	200	201	206	\$11,718
432CSL6212®	1760	Yes	125	147	158	161	165	156	185	200	201	206	\$13,253
433CSL6216®	2235	Yes	150	175	190	193	200	190	220	240	241	250	\$14,856
433CSL6220®	2245	Yes	150	175	190	193	200	190	220	240	241	250	\$15,764

MAGNAPLUS® Alternate Models®®, SE350E AVR with Shunt (Non-PMG) Excitation

Base Model	Net Wt. (lbs.)	Option	6	7	7.5	7.5	7.8	8	9	10	10	10.5	List Price
281PSL1722	225	®	6	7	7.5	7.5	7.8	8	9	10	10	10.5	\$2,835
282PSL1704	270	®	8	10	10.5	10.5	11	10.5	12.5	14	14	15	\$3,137
282PSL1705	295	®	11	12.5	13.5	13.5	14	14	16	17.5	17.5	18.5	\$3,374
283PSL1706	336	®	13	15	16	16	17	17	20	21	21	23	\$3,754
283PSL1707	366	®	15	17	18	18	20	19	22	25	25	26	\$4,057
284PSL1708	405	Yes	19	21	23	23	25	25	28	30	30	32	\$4,437
284PSL1742	436	Yes	20	23	25	25	27	25	30	32	32	35	\$4,601
285PSL1700	480	Yes	21	25	28	28	30	31	35	37	37	40	\$4,663
286PSL1701	600	Yes	24	28	32	32	34	32	38	42	42	45	\$5,053
287PSL1702	670	Yes	25	30	33	33	34	36	42	45	45	50	\$5,741

MAGNAMAX^{DVR}® DVR®2000E+ AVR with PMG Excitation

Base Model	Net Wt. (lbs.)	kW Rating @ Designated NEMA Rise										List Price
		0.8 Power Factor Lagging					1.0 Power Factor					
		Continuous			Standby		Continuous			Standby		
		NEMA B 80°C R/R	NEMA F 105°C R/R	NEMA H 125°C R/R	NEMA F 130°C R/R	NEMA H 150°C R/R	NEMA B 80°C R/R	NEMA F 105°C R/R	NEMA H 125°C R/R	NEMA F 130°C R/R	NEMA H 150°C R/R	
431RSL4005	1280	72	82	87	88	91	89	103	109	110	114	\$9,952
431RSL4007	1370	82	97	103	103	109	103	121	129	129	136	\$10,414
432RSL4009	1550	103	122	129	129	136	129	152	161	161	169	\$11,030
432RSL4011	1570	106	122	127	127	138	132	152	159	159	172	\$11,559
432RSL4013	1600	98	116	123	123	129	123	145	154	154	162	\$11,872
432RSL4015	1810	115	138	143	147	150	144	172	178	184	188	\$12,714
432RSL4017	1830	121	145	155	158	164	151	182	194	198	205	\$14,167
433RSL4019	2340	146	168	180	180	190	183	210	225	225	238	\$15,764
433RSL4021	2365	151	174	185	185	200	189	217	231	231	251	\$16,699
572RSL4025	2730	167	198	209	209	222	209	248	261	261	278	\$18,214
572RSL4027	2840	194	220	227	227	246	242	275	283	283	308	\$18,835
572RSL4029	3050	196	235	246	246	268	245	294	308	308	336	\$20,971
572RSL4031	3110	213	253	264	264	284	267	316	330	330	355	\$21,747
573RSL4033	3400	251	299	308	308	337	314	374	385	385	421	\$25,413
573RSL4035	3620	257	312	330	330	356	322	391	413	413	446	\$27,708
574RSL4037	4080	295	352	363	363	396	369	440	454	454	495	\$29,557

① 361 to 433 PSL (single bearing) or PDL (double bearing) models are the alternate to CSL models and have equivalent performance and dimensions.

② PMG Option available as build-up only.

③ Specialty and two bearing orders utilize these windings in place of 280 frame CSL models.

④ All MAGNAPLUS models have linkboard as standard.

⑤ For 120 volt only service, use an SE350EL voltage regulator to replace the standard SE350E regulator. See Modification Section for price adder.

⑥ 240/120 volts can be obtained by connecting in either a Low Zigzag or Double Delta; and 480/240 volts can be obtained by connecting in High Zigzag connections. (See pages 73-74 for connection diagrams) Notes A, B, C, D, E, and F on page 64 apply to this page.

1800 RPM
40°C Ambient
Shunt (Non-PMG) Excitation
SE350EL AVR

240/120 or 120 Volts
(4 Leads)

4-Pole
Dedicated
Single Phase

60
Hertz

MAGNAPLUS® Standard Models® NEMA Class H Insulation

Base Model	Net Wt. (lbs.)	Bolt-on PMG Option Avail.	kW Rating @ Designated NEMA Rise										List Price
			0.8 Power Factor Lagging					1.0 Power Factor					
			Continuous			Standby		Continuous			Standby		
			NEMA B 80°C R/R	NEMA F 105°C R/R	NEMA H 125°C R/R	NEMA F 130°C R/R	NEMA H 150°C R/R	NEMA B 80°C R/R	NEMA F 105°C R/R	NEMA H 125°C R/R	NEMA F 130°C R/R	NEMA H 150°C R/R	
281CSL1513	216	Yes	6.5	7.5	8	8	8.5	10	12	12.5	12.5	13.5	\$2,865
282PSL1714③	236	②	7	7.7	8.4	8.5	9	10.5	12	13	13	13.5	\$2,999
282CSL1515	250	Yes	10	11	12	12	13	16	18	19	19	20	\$3,081
282PSL1716	288	②	12	14	15	15	16	18	20	22	22	25	\$3,456
283CSL1517	349	Yes	16.5	19	21	21	22	26	30	32	32	35	\$3,872
284CSL1518	398	Yes	14	16	18	18	20	24	30	32	32	35	\$4,180
284CSL1550	447	Yes	21	24	26	27	28	30	37	40	41	42	\$4,745
361CSL1611④	513	Yes	22	26	29	30	32	35	37	40	40	45	\$4,991
361CSL1612④	578	Yes	28	33	36	36	40	40	45	50	50	55	\$5,351
361CSL1613④	626	Yes	38	43	47	47	50	50	55	60	60	65	\$5,833
362CSL1615④	779	Yes	48	54	59	60	65	65	70	75	75	80	\$6,203
363CSL1617④	929	Yes	50	58	66	66	70	75	90	100	100	105	\$7,199
431PSL6222	1070	Yes	60	68	73	73	78	100	110	115	115	125	\$8,427
431PSL6224	1280	Yes	80	90	100	100	110	130	145	155	155	165	\$9,346
431PSL6226	1600	Yes	85	100	110	110	115	135	155	175	175	185	\$10,337
432PSL6228	1720	Yes	125	145	155	155	170	170	195	210	210	225	\$11,030

MAGNAPLUS® Alternate Models® NEMA Class H Insulation

281PSL1763	220	②	6	7	7.5	7.5	8	10.5	12	13	13	13.5	\$2,865
282PSL1715	265	②	10	11	12	12	12.5	15	17	18	18	20	\$3,081
283PSL1717	331	②	15	17	18.5	18.5	20	22	25	27	27	30	\$3,872
283PSL1718	360	②	17	20	22	22	23	26	30	32	32	35	\$4,180
284PSL1750	430	Yes	23	26	27	27	30	34	38	41	41	45	\$4,745
285PSL1711	470	Yes	24	28	32	32	34	36	40	45	45	50	\$4,991
286PSL1712	590	Yes	30	33	36	36	38	45	50	52	52	55	\$5,351
287PSL1713	660	Yes	30	35	40	40	43	47	55	60	60	64	\$5,833

Pancake® NEMA Class F Insulation

Base Model	Net Wt. (lbs.)	Bolt-on PMG Option Avail.	kW Rating @ Designated NEMA Rise										List Price
			0.8 Power Factor Lagging					1.0 Power Factor					
			Continuous			Standby		Continuous			Standby		
			NEMA B 80°C R/R	NEMA F 105°C R/R	NEMA H 125°C R/R	NEMA F 130°C R/R	NEMA H 150°C R/R	NEMA B 80°C R/R	NEMA F 105°C R/R	NEMA H 125°C R/R	NEMA F 130°C R/R	NEMA H 150°C R/R	
331CSA/B3018	125	No	4.5	5	N/A	5.5	N/A	8	8.5	N/A	9	N/A	\$2,619
332CSA/B3020	143	No	6	6.5	N/A	7	N/A	10	10.5	N/A	11	N/A	\$2,835
333CSA/B3024	192	No	9	10	N/A	10	N/A	12.5	15	N/A	16.5	N/A	\$3,066
334CSA/B3027	214	No	10	11.5	N/A	13	N/A	15	17.5	N/A	19	N/A	\$3,394
334CSA/B3028	214	No	11.5	13	N/A	14.5	N/A	17	20	N/A	22.5	N/A	\$3,456

- ① 361 to 433 PSL (single bearing) or PDL (double bearing) models are the alternate to CSL models and have equivalent performance and dimensions.
- ② PMG Option available as build-up only.
- ③ Specialty and two bearing orders utilize these windings in place of 280 frame CSL models.
- ④ All MAGNAPLUS® models have linkboard as standard.
- ⑤ Pancake generators are designed for space-critical single bearing applications. Double bearing models not available.
- ⑥ CSA models are SAE 5, CSB models are SAE 4.
Notes A, B, C, D, E, and F on page 64 apply to this page.

60
Hertz

4-Pole
Three Phase
Medium Voltage

2400Y/1386 Volts
(6 Leads)^②
1386 Volts Delta

1800 RPM
NEMA Class H Insulation
40°C Ambient
0.8 Power Factor Lagging
DVR®2000E+ AVR w/PMG Excitation

MAGNAMAX^{DVR}

Base Model	Net Wt. (lbs.)	No. of Leads	kW Rating @ Designated NEMA Rise					List Price
			Continuous			Standby		
			NEMA B 80°C R/R	NEMA F 105°C R/R	NEMA H 125°C R/R	NEMA F 130°C R/R	NEMA H 150°C R/R	
573FSM4304	2890	6	315	400	415	415	450	\$45,029
573FSM4306	3030	6	350	450	500	500	530	\$47,776
574FSM4308	3530	6	450	550	575	600	600	\$51,607
574FSM4310	4050	6	525	660	725	735	750	\$55,746
741FSM4314 ^③	5300	6	700	875	890	900	900	\$60,341
742FSM4316 ^③	6100	6	925	1090	1175	1200	1200	\$69,682
742FSM4318 ^③	6900	6	1075	1270	1360	1400	1400	\$77,482
743FSM4320 ^③	7500	6	1180	1410	1470	1550	1550	\$82,232
743FSM4322 ^③	8200	6	1370	1630	1780	1800	1800	\$88,512

MAGNAPOWER[®]

1020FDM5320 ^③	14500	6	1750	2000	2100	2100	2100	\$155,436
1020FDM5322 ^③	15900	6	2000	2300	2400	2400	2400	\$171,504
1020FDM5324 ^③	16800	6	2250	2570	2700	2700	2700	\$179,165
1020FDM5326 ^③	17900	6	2500	2860	3000	3000	3000	\$191,423

60
Hertz

4-Pole
Three Phase
Medium Voltage

3300Y/1905 Volts
(6 Leads)^②
1905 Volts Delta

1800 RPM
NEMA Class H Insulation
40°C Ambient
0.8 Power Factor Lagging
DVR®2000E+ AVR w/PMG Excitation

MAGNAMAX^{DVR}

Base Model	Net Wt. (lbs.)	No. of Leads	kW Rating @ Designated NEMA Rise					List Price
			Continuous			Standby		
			NEMA B 80°C R/R	NEMA F 105°C R/R	NEMA H 125°C R/R	NEMA F 130°C R/R	NEMA H 150°C R/R	
573FSM4326	2890	6	315	400	415	415	450	\$45,029
573FSM4328	3030	6	350	450	500	500	530	\$47,776
574FSM4330	3530	6	465	600	625	625	675	\$51,607
741FSM4334 ^③	5300	6	700	850	900	900	925	\$60,341
742FSM4336 ^③	6100	6	950	1120	1200	1200	1280	\$69,682
742FSM4338 ^③	6900	6	1100	1310	1380	1400	1400	\$77,482
743FSM4340 ^③	7500	6	1250	1470	1550	1550	1570	\$82,232
743FSM4342 ^③	8200	6	1370	1625	1800	1800	1800	\$88,055
744FSM4344 ^③	9300	6	1500	1850	2000	2000	2000	\$112,559
744FSM4346 ^③	9340	6	1770	2120	2260	2260	2260	\$128,631

MAGNAPOWER[®]

1020FDM5332 ^③	15900	6	2000	2300	2400	2400	2400	\$171,504
1020FDM5334 ^③	16800	6	2250	2570	2700	2700	2700	\$179,165
1020FDM5336 ^③	17900	6	2500	2860	3000	3000	3000	\$191,423

① Medium voltage sensing potential transformers (P/Ts) are not included. For three phase sensing, a three phase PT is required. See Modification Section for price adder.

② All medium voltage generators incorporate form wound coils and VPI insulation systems.

③ All 740 and 1000 frame generators on this page have 100 ohm platinum winding RTDs as standard equipment.

④ All 1000 frame generators have 4 bus bars, with the capability of differential protection.

Notes A, B, C, D, E, and F on page 64 apply to this page.

marathon[™]
Generators

1800 RPM
 NEMA Class H Insulation
 40°C Ambient
 0.8 Power Factor Lagging
 DVR®2000E+ AVR w/PMG Excitation

4160Y/2402 Volts
 (6 Leads)①②
2402 Volts Delta

4-Pole
Three Phase
Medium Voltage

60
Hertz

MAGNAMAX^{DVR}

Base Model	Net Wt. (lbs.)	No. of Leads	kW Rating @ Designated NEMA Rise					List Price
			Continuous			Standby		
			NEMA B 80°C R/R	NEMA F 105°C R/R	NEMA H 125°C R/R	NEMA F 130°C R/R	NEMA H 150°C R/R	
573FSM4352	2890	6	315	400	415	415	460	\$42,872
573FSM4354	3030	6	350	450	500	500	530	\$45,476
574FSM4356	3530	6	465	600	625	625	700	\$49,162
574FSM4358	4050	6	550	710	760	760	840	\$53,137
741FSM4360③	5300	6	730	900	925	925	930	\$57,420
742FSM4364③	6100	6	925	1120	1200	1200	1200	\$66,319
742FSM4366③	6900	6	1120	1360	1450	1450	1450	\$73,810
743FSM4368③	7500	6	1240	1520	1600	1600	1610	\$78,252
743FSM4370③	8200	6	1370	1680	1800	1800	1800	\$84,214
744FSM4374③	9300	6	1525	1875	2050	2050	2050	\$107,198
744FSM4376③	9340	6	1800	2150	2320	2320	2320	\$122,506

MAGNAPOWER[®]

1020FDM1180③	14200	6	2000	2250	2500	2500	2500	\$171,504
1020FDM1182③	15700	6	2250	2500	2800	2800	2800	\$179,165
1020FDM1184③	15900	6	2400	2800	3000	3000	3000	\$191,423
1030FDM1186③	16900	6	2650	3000	3000	3000	3000	\$210,545
1030FDM1188③	17100	6	2650	3000	3300	3350	3350	\$241,925
1030FDM1190③	17900	6	2800	3250	3420	3500	3500	\$264,920
1030FDM1192③	18100	6	2920	3340	3650	3680	3680	\$290,092
1040FDM1194③	20000	6	3300	3800	4150	4200	4200	\$333,523

1500 RPM
 NEMA Class H Insulation
 40°C Ambient
 0.8 Power Factor Lagging
 DVR®2000E+ AVR w/PMG Excitation

3300Y/1905 Volts
 (6 Leads)①②
1905 Volts Delta

4-Pole
Three Phase
Medium Voltage

50
Hertz

MAGNAMAX^{DVR}

Base Model	Net Wt. (lbs.)	No. of Leads	Continuous						Standby				List Price
			NEMA B 80°C R/R		NEMA F 105°C R/R		NEMA H 125°C R/R		NEMA F 130°C R/R		NEMA H 150°C R/R		
			kVA	kW	kVA	kW	kVA	kW	kVA	kW	kVA	kW	
573FSM4352	2890	6	350	280	425	340	456	365	469	375	488	390	\$42,872
573FSM4354	3030	6	388	310	475	380	519	415	531	425	550	440	\$45,476
574FSM4356	3530	6	500	400	625	500	663	530	681	545	706	565	\$49,162
574FSM4358	4050	6	588	470	731	585	788	630	806	645	838	670	\$53,137
741FSM4360③	5300	6	769	615	913	730	981	785	981	785	1038	830	\$57,420
742FSM4364③	6100	6	963	770	1156	925	1250	1000	1250	1000	1325	1060	\$66,319
742FSM4366③	6900	6	1163	930	1400	1120	1500	1200	1500	1200	1600	1280	\$73,810
743FSM4368③	7500	6	1300	1040	1550	1240	1675	1340	1675	1340	1788	1430	\$78,252
743FSM4370③	8200	6	1425	1140	1750	1400	1900	1520	1900	1520	2050	1640	\$84,214
744FSM4374③	9300	6	1525	1220	1813	1450	2000	1600	2000	1600	2188	1750	\$107,198
744FSM4376③	9340	6	1500	1200	2050	1640	2275	1820	2338	1870	2463	1970	\$122,506

MAGNAPOWER[®]

1020FDM1180③	14200	6	2156	1725	2563	2050	2750	2200	2813	2250	2813	2250	\$171,504
1020FDM1182③	15700	6	2250	1800	2625	2100	2813	2250	2875	2300	2875	2300	\$179,165
1020FDM1184③	15900	6	2500	2000	2800	2240	3000	2400	3000	2400	3000	2400	\$191,423
1030FDM1186③	16900	6	2650	2120	3000	2400	3000	2400	3000	2400	3000	2400	\$210,545
1030FDM1188③	17100	6	2650	2120	3000	2400	3300	2640	3350	2680	3350	2680	\$241,925
1030FDM1190③	17900	6	2813	2250	3250	2600	3438	2750	3500	2800	3500	2800	\$264,920
1030FDM1192③	18100	6	2938	2350	3375	2700	3650	2920	3750	3000	3750	3000	\$290,092
1040FDM1194③	20000	6	3300	2640	3800	3040	4150	3320	4250	3400	4250	3400	\$333,523

- ① Medium voltage sensing potential transformers (P/Ts) are not included. For three phase sensing, a three phase PT is required. See Modification Section for price adder.
- ② All medium voltage generators incorporate form wound coils and VPI insulation systems.

- ③ All 740 and 1000 frame generators on this page have 100 ohm platinum winding RTDs as standard equipment.
- ④ All 1000 frame generators have 4 bus bars, with the capability of differential protection. Notes A, B, C, D, E, and F on page 64 apply to this page.

60 Hertz

4-Pole Three Phase Medium Voltage

1800 RPM
40°C Ambient
0.8 Power Factor Lagging
DVR®2000E+ AVR w/PMG Excitation

MAGNAMAX^{DVR}

6300Y/3637 Volts or 3637 Volts Delta (6 Leads)①②

NEMA Class H Insulation

NOTE: 570 & 740 Frame units MUST employ solidly grounded neutral.

Base Model	Net Wt. (lbs.)	No. of Leads	kW Rating @ Designated NEMA Rise					List Price
			Continuous			Standby		
			NEMA B 80°C R/R	NEMA F 105°C R/R	NEMA H 125°C R/R	NEMA F 130°C R/R	NEMA H 150°C R/R	
574FSM4380	3650	6	450	525	560	570	600	\$65,091
741FSM4382③	5600	6	830	950	975	1000	1040	\$80,388
742FSM4384③	6100	6	1025	1150	1225	1250	1275	\$88,820
742FSM4386③	6500	6	1025	1150	1250	1250	1275	\$92,646
742FSM4388③	6900	6	1160	1360	1475	1475	1500	\$98,007
743FSM4390③	7500	6	1275	1450	1475	1525	1550	\$101,072
743FSM4392③	8200	6	1325	1575	1725	1725	1725	\$107,969
744FSM4394③	9300	6	1575	1875	2000	2025	2050	\$137,366

MAGNAPOWER^④

NEMA Class F Insulation

Base Model	Net Wt. (lbs.)	No. of Leads	NEMA B 80°C R/R	NEMA F 105°C R/R	NEMA H 125°C R/R	NEMA F 130°C R/R	NEMA H 150°C R/R	List Price
1020FDH1200③	13200	6	1850	2100	N/A	2300	N/A	\$217,601
1020FDH1202③	13700	6	1900	2210	N/A	2390	N/A	\$246,706
1020FDH1204③	14500	6	2120	2440	N/A	2660	N/A	\$275,796
1030FDH1206③	16600	6	2400	2800	N/A	3000	N/A	\$301,994
1030FDH1208③	16800	6	2560	3000	N/A	3300	N/A	\$330,694
1040FDH1210③	18900	6	2930	3430	N/A	3750	N/A	\$370,372

MAGNAMAX^{DVR}

6600Y/3811 Volts or 3811 Volts Delta (6 Leads)①②

NEMA Class H Insulation

NOTE: 570 & 740 Frame units MUST employ solidly grounded neutral.

Base Model	Net Wt. (lbs.)	No. of Leads	kW Rating @ Designated NEMA Rise					List Price
			Continuous			Standby		
			NEMA B 80°C R/R	NEMA F 105°C R/R	NEMA H 125°C R/R	NEMA F 130°C R/R	NEMA H 150°C R/R	
574FSM4380	3650	6	465	550	590	600	625	\$65,091
741FSM4382③	5600	6	875	1000	1040	1050	1080	\$80,388
742FSM4384③	6100	6	1000	1100	1200	1200	1250	\$88,820
742FSM4386③	6500	6	1025	1200	1290	1300	1350	\$92,646
742FSM4388③	6900	6	1100	1300	1400	1400	1450	\$98,007
743FSM4390③	7500	6	1290	1460	1550	1600	1600	\$101,072
743FSM4392③	8200	6	1370	1625	1800	1800	1800	\$107,969
744FSM4394③	9300	6	1500	1850	2000	2000	2000	\$137,366

MAGNAPOWER^④

NEMA Class F Insulation

Base Model	Net Wt. (lbs.)	No. of Leads	NEMA B 80°C R/R	NEMA F 105°C R/R	NEMA H 125°C R/R	NEMA F 130°C R/R	NEMA H 150°C R/R	List Price
1020FDH1200③	13200	6	1750	2050	N/A	2250	N/A	\$217,601
1020FDH1202③	13700	6	1800	2170	N/A	2360	N/A	\$246,706
1020FDH1204③	14500	6	2030	2340	N/A	2540	N/A	\$275,796
1030FDH1206③	16600	6	2350	2800	N/A	3000	N/A	\$301,994
1030FDH1208③	16800	6	2500	3000	N/A	3300	N/A	\$330,694
1040FDH1210③	18900	6	2880	3390	N/A	3720	N/A	\$370,372

MAGNAMAX^{DVR}

6900Y/3984 Volts or 3984 Volts Delta (6 Leads)①②

NEMA Class H Insulation

NOTE: 570 & 740 Frame units MUST employ solidly grounded neutral.

Base Model	Net Wt. (lbs.)	No. of Leads	kW Rating @ Designated NEMA Rise					List Price
			Continuous			Standby		
			NEMA B 80°C R/R	NEMA F 105°C R/R	NEMA H 125°C R/R	NEMA F 130°C R/R	NEMA H 150°C R/R	
574FSM4380	3650	6	475	575	600	615	625	\$65,091
741FSM4382③	5600	6	840	975	1025	1050	1060	\$80,388
742FSM4384③	6100	6	950	1075	1150	1175	1200	\$88,820
742FSM4386③	6500	6	975	1150	1225	1250	1250	\$92,646
742FSM4388③	6900	6	975	1160	1250	1250	1300	\$98,007
743FSM4390③	7500	6	1265	1450	1525	1575	1575	\$101,072
743FSM4392③	8200	6	1350	1600	1750	1750	1750	\$107,969
744FSM4394③	9300	6	1475	1825	1975	2000	2000	\$137,366

MAGNAPOWER^④

NEMA Class F Insulation

Base Model	Net Wt. (lbs.)	No. of Leads	NEMA B 80°C R/R	NEMA F 105°C R/R	NEMA H 125°C R/R	NEMA F 130°C R/R	NEMA H 150°C R/R	List Price
1020FDH1200③	13200	6	1700	2000	N/A	2200	N/A	\$217,601
1020FDH1202③	13700	6	1750	2090	N/A	2270	N/A	\$246,706
1020FDH1204③	14500	6	2000	2310	N/A	2520	N/A	\$275,796
1030FDH1206③	16600	6	2375	2800	N/A	3000	N/A	\$301,994
1030FDH1208③	16800	6	2530	3000	N/A	3300	N/A	\$330,694
1040FDH1210③	18900	6	2810	3350	N/A	3680	N/A	\$370,372

① Medium voltage sensing potential transformers (P/Ts) are not included. For three phase sensing, a three phase PT is required.

See Modification Section for price adder.

② All medium voltage generators incorporate form wound coils and VPI insulation systems.

③ All 740 and 1000 frame generators on this page have 100 ohm platinum winding RTDs as standard equipment.

④ All 1000 frame generators have 4 bus bars, with the capability of differential protection.

Notes A, B, C, D, E, and F on page 64 apply to this page.

marathonTM
Generators

1500 RPM
 40°C Ambient
 0.8 Power Factor Lagging
 DVR®2000E+ AVR w/PMG Excitation

**4-Pole
 Three Phase
 Medium Voltage**

50

Hertz

6300Y/3637 Volts or 3637 Volts Delta (6 Leads)^{①②③}

MAGNAMAX^{DVR}

NEMA Class H Insulation

NOTE: 740 Frame units MUST employ solidly grounded neutral.

Base Model	Net Wt. (lbs.)	No. of Leads	Continuous						Standby				List Price
			NEMA B 80°C R/R		NEMA F 105°C R/R		NEMA H 125°C R/R		NEMA F 130°C R/R		NEMA H 150°C R/R		
			kVA	kW	kVA	kW	kVA	kW	kVA	kW	kVA	kW	
742FSM4460	6100	6	950	760	1150	920	1250	1000	1250	1000	1325	1060	\$92,646
742FSM4462	6900	6	1213	970	1425	1140	1550	1240	1575	1260	1625	1300	\$98,007
743FSM4464	7500	6	1313	1050	1563	1250	1675	1340	1688	1350	1725	1380	\$101,072
743FSM4466	8200	6	1450	1160	1775	1420	1875	1500	1900	1520	2000	1600	\$107,969
744FSM4470	9300	6	1550	1240	1850	1480	2000	1600	2025	1620	2100	1680	\$133,233

MAGNAPOWER^{®④}

NEMA Class F Insulation

Base Model	Net Wt. (lbs.)	No. of Leads	Continuous						Standby				List Price
			NEMA B 80°C R/R		NEMA F 105°C R/R		NEMA H 125°C R/R		NEMA F 130°C R/R		NEMA H 150°C R/R		
1020FDH1220	13000	6	1813	1450	2125	1700	N/A	N/A	2313	1850	N/A	N/A	\$220,517
1020FDH1222	13600	6	2025	1620	2350	1880	N/A	N/A	2563	2050	N/A	N/A	\$240,426
1020FDH1224	14200	6	2100	1680	2438	1950	N/A	N/A	2650	2120	N/A	N/A	\$260,329
1020FDH1226	14700	6	2213	1770	2563	2050	N/A	N/A	2788	2230	N/A	N/A	\$291,113
1020FDH1228	16400	6	2625	2100	3050	2440	N/A	N/A	3325	2660	N/A	N/A	\$337,046
1030FDH1230	17300	6	2825	2260	3288	2630	N/A	N/A	3575	2860	N/A	N/A	\$377,494
1040FDH1232	18600	6	3013	2410	3513	2810	N/A	N/A	3825	3060	N/A	N/A	\$413,362
1040FDH1234	19500	6	3425	2740	3988	3190	N/A	N/A	4350	3480	N/A	N/A	\$462,966

6600Y/3811 Volts or 3811 Volts Delta (6 Leads)^{①②③}

MAGNAMAX^{DVR}

NEMA Class H Insulation

NOTE: 740 Frame units MUST employ solidly grounded neutral.

Base Model	Net Wt. (lbs.)	No. of Leads	Continuous						Standby				List Price
			NEMA B 80°C R/R		NEMA F 105°C R/R		NEMA H 125°C R/R		NEMA F 130°C R/R		NEMA H 150°C R/R		
			kVA	kW	kVA	kW	kVA	kW	kVA	kW	kVA	kW	
742FSM4460	6100	6	963	770	1156	925	1250	1000	1250	1000	1325	1060	\$92,646
742FSM4462	6900	6	1163	930	1400	1120	1500	1200	1500	1200	1600	1280	\$98,007
743FSM4464	7500	6	1300	1040	1550	1240	1675	1340	1675	1340	1788	1430	\$101,072
743FSM4466	8200	6	1425	1140	1750	1400	1900	1520	1900	1520	2050	1640	\$107,969
744FSM4470	9300	6	1525	1220	1788	1430	2000	1600	2000	1600	2125	1700	\$133,233

MAGNAPOWER^{®④}

NEMA Class F Insulation

Base Model	Net Wt. (lbs.)	No. of Leads	Continuous						Standby				List Price
			NEMA B 80°C R/R		NEMA F 105°C R/R		NEMA H 125°C R/R		NEMA F 130°C R/R		NEMA H 150°C R/R		
1020FDH1220	13000	6	1750	1400	2063	1650	N/A	N/A	2250	1800	N/A	N/A	\$220,517
1020FDH1222	13600	6	1950	1560	2288	1830	N/A	N/A	2513	2010	N/A	N/A	\$240,426
1020FDH1224	14200	6	2038	1630	2413	1930	N/A	N/A	2625	2100	N/A	N/A	\$260,329
1020FDH1226	14700	6	2200	1760	2550	2040	N/A	N/A	2763	2210	N/A	N/A	\$291,113
1020FDH1228	16400	6	2600	2080	3038	2430	N/A	N/A	3325	2660	N/A	N/A	\$337,046
1030FDH1230	17300	6	2763	2210	3238	2590	N/A	N/A	3550	2840	N/A	N/A	\$377,494
1040FDH1232	18600	6	2925	2340	3438	2750	N/A	N/A	3763	3010	N/A	N/A	\$413,362
1040FDH1234	19500	6	3263	2610	3875	3100	N/A	N/A	4238	3390	N/A	N/A	\$462,966

6900Y/3984 Volts or 3984 Volts Delta (6 Leads)^{①②③}

MAGNAMAX^{DVR}

NEMA Class H Insulation

NOTE: 740 Frame units MUST employ solidly grounded neutral.

Base Model	Net Wt. (lbs.)	No. of Leads	Continuous						Standby				List Price
			NEMA B 80°C R/R		NEMA F 105°C R/R		NEMA H 125°C R/R		NEMA F 130°C R/R		NEMA H 150°C R/R		
			kVA	kW	kVA	kW	kVA	kW	kVA	kW	kVA	kW	
742FSM4460	6100	6	900	720	1100	880	1200	960	1200	960	1225	980	\$92,646
742FSM4462	6900	6	1150	920	1400	1120	1500	1200	1525	1220	1550	1240	\$98,007
743FSM4464	7500	6	1225	980	1475	1180	1600	1280	1600	1280	1675	1340	\$101,072
743FSM4466	8200	6	1375	1100	1675	1340	1800	1440	1825	1460	1925	1540	\$107,969
744FSM4470	9300	6	1500	1200	1775	1420	1950	1560	2000	1600	2075	1660	\$133,233

MAGNAPOWER^{®④}

NEMA Class F Insulation

Base Model	Net Wt. (lbs.)	No. of Leads	Continuous						Standby				List Price
			NEMA B 80°C R/R		NEMA F 105°C R/R		NEMA H 125°C R/R		NEMA F 130°C R/R		NEMA H 150°C R/R		
1020FDH1220	13000	6	1563	1250	1875	1500	N/A	N/A	2063	1650	N/A	N/A	\$220,517
1020FDH1222	13600	6	1838	1470	2200	1760	N/A	N/A	2425	1940	N/A	N/A	\$240,426
1020FDH1224	14200	6	2000	1600	2375	1900	N/A	N/A	2588	2070	N/A	N/A	\$260,329
1020FDH1226	14700	6	2063	1650	2525	2020	N/A	N/A	2750	2200	N/A	N/A	\$291,113
1020FDH1228	16400	6	2638	2110	3100	2480	N/A	N/A	3388	2710	N/A	N/A	\$337,046
1030FDH1230	17300	6	2775	2220	3275	2620	N/A	N/A	3588	2870	N/A	N/A	\$377,494
1040FDH1232	18600	6	2913	2330	3450	2760	N/A	N/A	3788	3030	N/A	N/A	\$413,362
1040FDH1234	19500	6	3038	2430	3688	2950	N/A	N/A	4063	3250	N/A	N/A	\$462,966

① Medium voltage sensing potential transformers (P/Ts) are not included. For three phase sensing, a three phase PT is required. See Modification Section for price adder.

② All medium voltage generators incorporate form wound coils and VPI insulation systems.

③ All 740 and 1000 frame generators on this page have 100 ohm platinum winding RTDs as standard equipment.

④ All 1000 frame generators have 4 bus bars, with the capability of differential protection.

Notes A, B, C, D, E, and F on page 64 apply to this page.

60 Hertz

4-Pole Three Phase High Voltage

1800 RPM
NEMA Class F Insulation
40°C Ambient
0.8 Power Factor Lagging
DVR®2000E+ AVR w/PMG Excitation

MAGNAPOWER®

12470Y/7200 Volts or 7200 Volts Delta (6 Leads)

Base Model	Net Wt. (lbs.)	No. of Leads	kW Rating @ Designated NEMA Rise			List Price
			Continuous		Standby	
			NEMA B 80°C R/R	NEMA F 105°C R/R	NEMA F 130°C R/R	
1020FDH1240	14000	6	1575	1825	1950	\$181,461
1020FDH1242	14200	6	1770	2010	2160	\$203,675
1020FDH1244	14475	6	1770	2000	2160	\$213,626
1020FDH1246	14900	6	1850	2120	2290	\$223,583
1020FDH1248	15500	6	2000	2250	2500	\$252,678
1030FDH1250	16200	6	2170	2500	2700	\$289,429
1030FDH1252	17700	6	2160	2500	2700	\$300,346
1030FDH1254	18000	6	2330	2750	3000	\$338,576
1040FDH1256	19750	6	2500	3000	3250	\$394,697
1040FDH1258	20250	6	2900	3380	3680	\$432,203
1040FDH1260	21500	6	3000	3540	3890	\$473,252

MAGNAPOWER®

13200Y/7621 Volts or 7621 Volts Delta (6 Leads)

Base Model	Net Wt. (lbs.)	No. of Leads	kW Rating @ Designated NEMA Rise			List Price
			Continuous		Standby	
			NEMA B 80°C R/R	NEMA F 105°C R/R	NEMA F 130°C R/R	
1020FDH1240	14000	6	1500	1750	1875	\$181,461
1020FDH1242	14200	6	1750	2000	2180	\$203,675
1020FDH1244	14475	6	1800	2010	2250	\$213,626
1020FDH1246	14900	6	1800	2170	2360	\$223,583
1020FDH1248	15500	6	2000	2250	2500	\$252,678
1030FDH1250	16200	6	2150	2500	2700	\$289,429
1030FDH1252	17700	6	2200	2550	2800	\$300,346
1030FDH1254	18000	6	2350	2800	3070	\$338,576
1040FDH1256	19750	6	2500	3000	3250	\$394,697
1040FDH1258	20250	6	2800	3360	3690	\$432,203
1040FDH1260	21500	6	2840	3500	3870	\$473,252

MAGNAPOWER®

13800Y/7967 Volts or 7967 Volts Delta (6 Leads)

Base Model	Net Wt. (lbs.)	No. of Leads	kW Rating @ Designated NEMA Rise			List Price
			Continuous		Standby	
			NEMA B 80°C R/R	NEMA F 105°C R/R	NEMA F 130°C R/R	
1020FDH1240	14000	6	1425	1700	1850	\$181,461
1020FDH1242	14200	6	1530	1840	2000	\$203,675
1020FDH1244	14475	6	1750	2000	2180	\$213,626
1020FDH1246	14900	6	1750	2090	2270	\$223,583
1020FDH1248	15500	6	1780	2130	2330	\$252,678
1030FDH1250	16200	6	1970	2350	2570	\$289,429
1030FDH1252	17700	6	2100	2500	2700	\$300,346
1030FDH1254	18000	6	2440	2800	3250	\$338,576
1040FDH1256	19750	6	2500	3000	3250	\$394,697
1040FDH1258	20250	6	2800	3300	3660	\$432,203
1040FDH1260	21500	6	2800	3300	3660	\$473,252

- High voltage sensing potential transformers (P/Ts) are not included. For three phase sensing, a three phase PT is required.
- All 1000 frame generators on this page have 100 ohm platinum winding RTDs as standard equipment.
- All high voltage generators incorporate form wound coils and VPI insulation systems.
- All 1000 frame generators have 4 bus bars, with the capability of differential protection.
- Consult factory for altitude above 3300 fsl.

Notes A, B, C, D, E, and F on page 64 apply to this page.

marathon™
Generators

1500 RPM
 NEMA Class F Insulation
 40°C Ambient
 0.8 Power Factor Lagging
 DVR®2000E+ AVR w/PMG Excitation

**4-Pole
 Three Phase
 High Voltage**

**50
 Hertz**



10000Y/5774 Volts or 5774 Volts Delta (6 Leads)

Base Model	Net Wt. (lbs.)	No. of Leads	Continuous				Standby		List Price
			NEMA B 80°C R/R		NEMA F 105°C R/R		NEMA F 130°C R/R		
			kVA	kW	kVA	kW	kVA	kW	
1020FDH1240	14000	6	1500	1200	1725	1380	1881	1505	\$181,461
1020FDH1242	14200	6	1775	1420	2038	1630	2200	1760	\$203,675
1020FDH1244	14475	6	1788	1430	2050	1640	2213	1770	\$213,626
1020FDH1246	14900	6	1825	1460	2063	1650	2225	1780	\$223,583
1020FDH1248	15500	6	2063	1650	2375	1900	2575	2060	\$252,678
1030FDH1250	16200	6	2188	1750	2525	2020	2725	2180	\$289,429
1030FDH1252	17700	6	2188	1750	2525	2020	2725	2180	\$300,346
1030FDH1254	18000	6	2363	1890	2775	2220	3025	2420	\$338,576
1040FDH1256	19750	6	2500	2000	3125	2500	3500	2800	\$394,697
1040FDH1258	20250	6	2900	2320	3413	2730	3725	2980	\$432,203
1040FDH1260	21500	6	3138	2510	3775	3020	4163	3330	\$473,252



10500Y/6062 Volts or 6062 Volts Delta (6 Leads)

Base Model	Net Wt. (lbs.)	No. of Leads	Continuous				Standby		List Price
			NEMA B 80°C R/R		NEMA F 105°C R/R		NEMA F 130°C R/R		
			kVA	kW	kVA	kW	kVA	kW	
1020FDH1240	14000	6	1563	1250	1781	1425	1925	1540	\$181,461
1020FDH1242	14200	6	1850	1480	2100	1680	2250	1800	\$203,675
1020FDH1244	14475	6	1888	1510	2125	1700	2288	1830	\$213,626
1020FDH1246	14900	6	1900	1520	2150	1720	2325	1860	\$223,583
1020FDH1248	15500	6	2075	1660	2388	1910	2588	2070	\$252,678
1030FDH1250	16200	6	2288	1830	2638	2110	2838	2270	\$289,429
1030FDH1252	17700	6	2288	1830	2638	2110	2838	2270	\$300,346
1030FDH1254	18000	6	2425	1940	2863	2290	3138	2510	\$338,576
1040FDH1256	19750	6	2500	2000	3125	2500	3500	2800	\$394,697
1040FDH1258	20250	6	2925	2340	3438	2750	3763	3010	\$432,203
1040FDH1260	21500	6	3163	2530	3775	3020	4150	3320	\$473,252



11000Y/6351 Volts or 6351 Volts Delta (6 Leads)

Base Model	Net Wt. (lbs.)	No. of Leads	Continuous				Standby		List Price
			NEMA B 80°C R/R		NEMA F 105°C R/R		NEMA F 130°C R/R		
			kVA	kW	kVA	kW	kVA	kW	
1020FDH1240	14000	6	1500	1200	1750	1400	1875	1500	\$181,461
1020FDH1242	14200	6	1775	1420	2063	1650	2188	1750	\$203,675
1020FDH1244	14475	6	1838	1470	2175	1740	2363	1890	\$213,626
1020FDH1246	14900	6	1900	1520	2250	1800	2425	1940	\$223,583
1020FDH1248	15500	6	1975	1580	2375	1900	2588	2070	\$252,678
1030FDH1250	16200	6	2150	1720	2500	2000	2813	2250	\$289,429
1030FDH1252	17700	6	2188	1750	2550	2040	2875	2300	\$300,346
1030FDH1254	18000	6	2500	2000	2913	2330	3200	2560	\$338,576
1040FDH1256	19750	6	2500	2000	3125	2500	3500	2800	\$394,697
1040FDH1258	20250	6	2888	2310	3425	2740	3750	3000	\$432,203
1040FDH1260	21500	6	2950	2360	3650	2920	4025	3220	\$473,252

- High voltage sensing potential transformers (P/Ts) are not included. For three phase sensing, a three phase PT is required.
- All 1000 frame generators on this page have 100 ohm platinum winding RTDs as standard equipment.
- All high voltage generators incorporate form wound coils and VPI insulation systems.
- All 1000 frame generators have 4 bus bars, with the capability of differential protection.
- Consult factory for altitude above 3300 ftasl.

Notes A, B, C, D, E, and F on page 64 apply to this page.

50 Hertz

4-Pole Three Phase

208Y or 415Y Volts
(12 Leads)
240 or 120 Volts Delta
(12 Leads)

1500 RPM
NEMA Class H Insulation
40°C Ambient
0.8 Power Factor Lagging
Shunt (Non-PMG) Excitation
SE350E AVR

MAGNAPLUS® Standard Models

Base Model	Net Wt. (lbs.)	No. of Leads ④	Voltage	Bolt-on PMG Option Avail.	NEMA F Cont. 105°C R/R		NEMA H Cont. 125°C R/R		NEMA H Stby. 150°C R/R		List Price
					kVA	kW	kVA	kW	kVA	kW	
281CSL1502	220	12	208Y/415Y	Yes	12	9.6	12.5	10	13.1	10.5	\$2,835
282PSL1703③	240	12	208Y/415Y	②	12	9.6	13.1	10.5	14.4	11.5	\$2,983
282CSL1504	250	12	208Y/415Y	Yes	16.3	13	17.5	14	18.8	15	\$3,137
282CSL1505	275	12	208Y/415Y	Yes	21.3	17	23.1	18.5	25	20	\$3,374
283CSL1506	310	12	208Y/415Y	Yes	22	18	25	20	27	22	\$3,754
283CSL1507	350	12	208Y/415Y	Yes	27	22	30	24	32	26	\$4,057
284CSL1508	405	12	208Y/415Y	Yes	31	25	35	28	37	30	\$4,437
284CSL1542	420	12	208Y/415Y	Yes	36	29	40	32	42	34	\$4,601
361CSL1600①	518	12	208Y/415Y	Yes	45	36	50	40	53	42	\$4,663
361CSL1601①	569	12	208Y/415Y	Yes	50	40	56	45	60	48	\$5,053
361CSL1602①	620	12	208Y/415Y	Yes	60	48	65	52	73	58	\$5,741
362CSL1604①	706	12	208Y/415Y	Yes	81	65	90	72	96	77	\$6,203
362CSL1606①	796	12	208Y/415Y	Yes	90	72	100	80	110	88	\$7,117
363CSL1607①	943	12	208Y/415Y	Yes	113	90	130	104	133	106	\$7,656
431CSL6202①	1220	12	208Y/415Y	Yes	140	112	150	120	155	124	\$8,647
431CSL6204①	1310	12	208Y/415Y	Yes	165	132	175	140	183	146	\$9,495
431CSL6206①	1415	12	208Y/415Y	Yes	185	148	200	160	211	169	\$10,501
431CSL6208①	1455	12	208Y/415Y	Yes	206	165	225	180	235	188	\$11,097
432CSL6210①	1685	12	208Y/415Y	Yes	240	192	260	208	275	220	\$11,718
432CSL6212①	1760	12	208Y/415Y	Yes	270	216	300	240	310	248	\$13,253
433CSL6216①	2235	12	208Y/415Y	Yes	320	256	350	280	375	300	\$14,856
433CSL6220①	2245	12	208Y/415Y	Yes	355	284	400	320	410	328	\$15,764

MAGNAPLUS® Alternate Models③

281PSL1722	225	12	208Y/415Y	②	9	7.2	9.8	7.8	10.5	8.4	\$2,835
282PSL1704	270	12	208Y/415Y	②	12.5	10	13.8	11	15	12	\$3,137
282PSL1705	295	12	208Y/415Y	②	16.3	13	18.8	15	20	16	\$3,374
283PSL1706	336	12	208Y/415Y	Yes	22	18	25	20	26	21	\$3,754
283PSL1707	366	12	208Y/415Y	Yes	26	21	30	24	32	26	\$4,057
284PSL1708	405	12	208Y/415Y	Yes	28	23	32	26	35	28	\$4,437
284PSL1742	436	12	208Y/415Y	Yes	33	27	37	30	40	32	\$4,601
285PSL1700	480	12	208Y/415Y	Yes	37	30	42	34	45	36	\$4,663
286PSL1701	600	12	208Y/415Y	Yes	50	40	55	44	58	47	\$5,053
287PSL1702	670	12	208Y/415Y	Yes	53	43	60	48	62	50	\$5,741

① 361 to 433 PSL (single bearing) or PDL (double bearing) models are the alternate to CSL models and have equivalent performance and dimensions.

② PMG Option available as build-up only.

③ Specialty and two bearing orders utilize these windings in place of 280 frame CSL models.

④ All MAGNAPLUS® models have linkboard as standard.

Notes A, B, C, D, E, and F on page 64 apply to this page.

1500 RPM
NEMA Class H Insulation
40°C Ambient
0.8 Power Factor Lagging
DVR®2000E+ AVR w/PMG Excitation

208Y or 415Y Volts
(10-12 Leads)
415Y Volts (4-6 Leads)
240 or 120 Volts Delta
(12 Leads)

4-Pole
Three Phase

50
Hertz

MAGNAMAX[®]DVR[®]

Base Model	Net Wt. (lbs.)	No. of Leads	Voltage	NEMA F Cont. 105°C R/R		NEMA H Cont. 125°C R/R		NEMA H Stby. 150°C R/R		List Price
				kVA	kW	kVA	kW	kVA	kW	
431RSL4005	1280	12	208Y/415Y	136	109	145	116	151	121	\$9,952
431RSL4007	1370	12	208Y/415Y	155	124	164	131	173	138	\$10,414
432RSL4009	1550	12	208Y/415Y	189	151	203	162	214	171	\$11,030
432RSL4011	1570	12	208Y/415Y	208	166	221	177	234	187	\$11,559
432RSL4013	1600	12	208Y/415Y	231	185	244	195	255	204	\$11,872
432RSL4015	1810	12	208Y/415Y	253	202	275	220	290	232	\$12,714
432RSL4017	1830	12	208Y/415Y	258	206	278	222	294	235	\$14,167
433RSL4019	2340	12	208Y/415Y	338	270	363	290	394	315	\$15,764
433RSL4021	2365	12	208Y/415Y	366	293	394	315	413	330	\$16,699
572RSL4024	2730	10	208Y/415Y	413	330	444	355	475	380	\$18,204
572RSL4025	2730	12	208Y/415Y	413	330	444	355	475	380	\$18,517
572RSL4027	2840	12	208Y/415Y	469	375	500	400	531	425	\$18,835
572RSL4028	3050	10	208Y/415Y	500	400	531	425	563	450	\$20,674
572RSL4029	3050	12	208Y/415Y	500	400	531	425	563	450	\$20,971
572RSL4030	3110	10	208Y/415Y	550	440	581	465	625	500	\$21,444
572RSL4031	3110	12	208Y/415Y	550	440	581	465	625	500	\$21,747
573RSL4032	3400	10	208Y/415Y	650	520	700	560	738	590	\$24,956
573RSL4033	3400	12	208Y/415Y	650	520	700	560	738	590	\$25,413
573RSL4034	3620	10	208Y/415Y	669	535	713	570	756	605	\$27,257
573RSL4035	3620	12	208Y/415Y	669	535	713	570	756	605	\$27,708
574RSL4036	4080	10	208Y/415Y	731	585	788	630	838	670	\$29,090
574RSL4037	4080	12	208Y/415Y	731	585	788	630	838	670	\$29,557
741RSL4045	5490	12	208Y/415Y	969	775	1038	830	1106	885	\$37,978
742RSL4049	6300	12	208Y/415Y	1131	905	1219	975	1300	1040	\$47,478
Single Voltage Only										
574RSL4038	4240	4	415Y Only	825	660	888	710	938	750	\$30,620
575RSL4044	5000	4 Bars	415Y Only	963	770	1013	810	1056	845	\$34,312
741RSL4044	5490	4 Bars	415Y Only	969	775	1038	830	1106	885	\$37,978
740RSL4046	5200	4 Bars	415Y Only	1106	885	1188	950	1275	1020	\$40,279
742RSL4048	6300	4 Bars	415Y Only	1131	905	1219	975	1300	1040	\$44,413
742RSL4050	7230	4 Bars	415Y Only	1438	1150	1538	1230	1638	1310	\$48,546
743RSL4052	7800	4 Bars	415Y Only	1500	1200	1600	1280	1725	1380	\$56,660
744RSL4054	8600	4 Bars	415Y Only	1725	1380	1875	1500	2013	1610	\$61,250
744RSL4056	9740	4 Bars	415Y Only	1963	1570	2125	1700	2275	1820	\$68,907
744RSL4058	9740	4 Bars	415Y Only	2038	1630	2225	1780	2400	1920	\$71,972
744RSL4059	9740	4 Bars	415Y Only	2038	1630	2250	1800	2438	1950	\$93,385
Form Wound Coil Designs										
744FSL4060	7300	4 Bars	415Y Only	1425	1140	1550	1240	1650	1320	\$55,129
744FSL4062	8300	4 Bars	415Y Only	1750	1400	1900	1520	2025	1620	\$65,851

MAGNAPOWER[®]

Base Model	Net Wt. (lbs.)	No. of Leads	Voltage	Continuous						Standby				List Price
				NEMA B 80°C R/R		NEMA F 105°C R/R		NEMA H 125°C R/R		NEMA F 130°C R/R		NEMA H 150°C R/R		
				kVA	kW	kVA	kW	kVA	kW	kVA	kW	kVA	kW	
1020FDL1100	15000	6	415Y Only	1825	1460	2138	1710	2138	1710	2138	1710	2138	1710	\$158,492
1020FDL1102	15900	6	415Y Only	1876	1500	2210	1770	2210	1770	2210	1770	2210	1770	\$174,580
1020FDL1104	16300	6	415Y Only	2088	1670	2450	1960	2450	1960	2450	1960	2450	1960	\$178,077
1020FDL1106	17000	6	415Y Only	2078	1660	2630	2100	2668	2130	2668	2130	2668	2130	\$183,001
1020FDL1108	17400	6	415Y Only	2263	1810	2713	2170	2738	2190	2738	2190	2738	2190	\$220,517
1030FDL1110	20500	6	415Y Only	2450	1960	3000	2400	3163	2530	3238	2590	3238	2590	\$253,546

Ⓞ All 1000 frame generators have 4 bus bars, with the capability of differential protection.
Ⓞ All 1000 frame generators incorporate form wound coils and VPI insulation systems.
Notes A, B, C, D, E, and F on page 64 apply to this page.

marathon[™]
Generators

50 Hertz

4-Pole Three Phase

190Y or 380Y Volts
(12 Leads)
220 or 110 Volts Delta
(12 Leads)

1500 RPM
NEMA Class H Insulation
40°C Ambient
0.8 Power Factor Lagging
Shunt (Non-PMG) Excitation
SE350E AVR

MAGNAPLUS® Standard Models

Base Model	Net Wt. (lbs.)	No. of Leads ④	Voltage	Bolt-on PMG Option Avail.	NEMA F Cont. 105°C R/R		NEMA H Cont. 125°C R/R		NEMA H Stby. 150°C R/R		List Price
					kVA	kW	kVA	kW	kVA	kW	
281CSL1502	220	12	190Y/380Y	Yes	11.3	9	12	9.6	12.5	10	\$2,835
282PSL1703③	240	12	190Y/380Y	Ⓜ	13.8	11	13.8	11	15	12	\$2,983
282CSL1504	250	12	190Y/380Y	Yes	16.3	13	17.5	14	18.8	15	\$3,137
282CSL1505	275	12	190Y/380Y	Yes	22.5	18	25	20	26.3	21	\$3,374
283CSL1506	310	12	190Y/380Y	Yes	25	20	26	21	28	23	\$3,754
283CSL1507	350	12	190Y/380Y	Yes	28	23	31	25	33	27	\$4,057
284CSL1508	405	12	190Y/380Y	Yes	36	29	40	32	42	34	\$4,437
284CSL1542	420	12	190Y/380Y	Yes	37	30	41	33	43	35	\$4,601
361CSL1600①	518	12	190Y/380Y	Yes	44	35	45	36	50	40	\$4,663
361CSL1601①	569	12	190Y/380Y	Yes	54	43	58	46	63	50	\$5,053
361CSL1602①	620	12	190Y/380Y	Yes	65	52	70	56	75	60	\$5,741
362CSL1604①	706	12	190Y/380Y	Yes	80	64	85	68	91	73	\$6,203
362CSL1606①	796	12	190Y/380Y	Yes	94	75	100	80	110	88	\$7,117
363CSL1607①	943	12	190Y/380Y	Yes	113	90	130	104	133	106	\$7,656
431CSL6202①	1220	12	190Y/380Y	Yes	143	114	151	121	160	128	\$8,647
431CSL6204①	1310	12	190Y/380Y	Yes	166	133	176	141	185	148	\$9,495
431CSL6206①	1415	12	190Y/380Y	Yes	200	160	211	169	225	180	\$10,501
431CSL6208①	1455	12	190Y/380Y	Yes	210	168	225	180	235	188	\$11,097
432CSL6210①	1685	12	190Y/380Y	Yes	256	205	275	220	290	232	\$11,718
432CSL6212①	1760	12	190Y/380Y	Yes	270	216	300	240	303	242	\$13,253
433CSL6216①	2235	12	190Y/380Y	Yes	345	276	370	296	390	312	\$14,856
433CSL6220①	2245	12	190Y/380Y	Yes	375	300	400	320	423	338	\$15,764

MAGNAPLUS® Alternate Models⑥

281PSL1722	225	12	190Y/380Y	Ⓜ	10.6	8.5	11.3	9	12	9.6	\$2,835
282PSL1704	270	12	190Y/380Y	Ⓜ	14.4	11.5	16.3	13	17.5	14	\$3,137
282PSL1705	295	12	190Y/380Y	Ⓜ	18.8	15	21.3	17	22.5	18	\$3,374
283PSL1706	336	12	190Y/380Y	Yes	25	20	27	22	28	23	\$3,754
283PSL1707	366	12	190Y/380Y	Yes	26	21	30	24	32	26	\$4,057
284PSL1708	405	12	190Y/380Y	Yes	32	26	35	28	38	31	\$4,437
284PSL1742	436	12	190Y/380Y	Yes	35	28	40	32	42	34	\$4,601
285PSL1700	480	12	190Y/380Y	Yes	41	33	46	37	50	40	\$4,663
286PSL1701	600	12	190Y/380Y	Yes	50	40	55	44	58	47	\$5,053
287PSL1702	670	12	190Y/380Y	Yes	53	43	60	48	62	50	\$5,741

① 361 to 433 PSL (single bearing) or PDL (double bearing) models are the alternate to CSL models and have equivalent performance and dimensions.

② PMG Option available as build-up only.

③ Specialty and two bearing orders utilize these windings in place of 280 frame CSL models.

④ All MAGNAPLUS® models have linkboard as standard.

Notes A, B, C, D, E, and F on page 64 apply to this page.

1500 RPM
NEMA Class H Insulation
40°C Ambient
0.8 Power Factor Lagging
DVR®2000E+ AVR w/PMG Excitation

190Y or 380Y Volts
(10-12 Leads)
380Y Volts (4-6 Leads)
220 or 110 Volts Delta
(12 Leads)

**4-Pole
Three Phase**

**50
Hertz**

MAGNAMAX[®]DVR[®]

Base Model	Net Wt. (lbs.)	No. of Leads	Voltage	NEMA F Cont. 105°C R/R		NEMA H Cont. 125°C R/R		NEMA H Stby. 150°C R/R		List Price
				kVA	kW	kVA	kW	kVA	kW	
431RSL4005	1280	12	190Y/380Y	141	113	149	119	159	127	\$9,952
431RSL4007	1370	12	190Y/380Y	159	127	168	134	180	144	\$10,414
432RSL4009	1550	12	190Y/380Y	208	166	219	175	224	179	\$11,030
432RSL4011	1570	12	190Y/380Y	218	174	231	185	243	194	\$11,559
432RSL4013	1600	12	190Y/380Y	233	186	244	195	254	203	\$11,872
432RSL4015	1810	12	190Y/380Y	276	221	294	235	300	240	\$12,714
432RSL4017	1830	12	190Y/380Y	281	225	298	238	314	251	\$14,167
433RSL4019	2340	12	190Y/380Y	356	285	375	300	406	325	\$15,764
433RSL4021	2365	12	190Y/380Y	369	295	394	315	425	340	\$16,699
572RSL4024	2730	10	190Y/380Y	469	375	500	400	506	405	\$18,204
572RSL4025	2730	12	190Y/380Y	469	375	500	400	506	405	\$18,517
572RSL4027	2840	12	190Y/380Y	475	380	500	400	544	435	\$18,835
572RSL4028	3050	10	190Y/380Y	550	440	588	470	600	480	\$20,674
572RSL4029	3050	12	190Y/380Y	550	440	588	470	600	480	\$20,971
572RSL4030	3110	10	190Y/380Y	563	450	600	480	644	515	\$21,444
572RSL4031	3110	12	190Y/380Y	563	450	600	480	644	515	\$21,747
573RSL4032	3400	10	190Y/380Y	700	560	750	600	775	620	\$24,956
573RSL4033	3400	12	190Y/380Y	700	560	750	600	775	620	\$25,413
573RSL4034	3620	10	190Y/380Y	738	590	781	625	819	655	\$27,257
573RSL4035	3620	12	190Y/380Y	738	590	781	625	819	655	\$27,708
574RSL4036	4080	10	190Y/380Y	769	615	819	655	888	710	\$29,090
574RSL4037	4080	12	190Y/380Y	769	615	819	655	888	710	\$29,557
741RSL4045	5490	12	190Y/380Y	1000	800	1056	845	1144	915	\$37,978
742RSL4049	6300	12	190Y/380Y	1181	945	1250	1000	1338	1070	\$47,478
Single Voltage Only										
574RSL4038	4240	4	380Y Only	831	665	888	710	956	765	\$30,620
575RSL4044	5000	4 Bars	380Y Only	963	770	1031	825	1138	910	\$34,312
741RSL4044	5490	4 Bars	380Y Only	1000	800	1056	845	1144	915	\$37,978
740RSL4046	5200	4 Bars	380Y Only	1125	900	1200	960	1300	1040	\$40,279
742RSL4048	6300	4 Bars	380Y Only	1181	945	1250	1000	1338	1070	\$44,413
742RSL4050	7230	4 Bars	380Y Only	1363	1090	1463	1170	1563	1250	\$48,546
743RSL4052	7800	4 Bars	380Y Only	1650	1320	1775	1420	1850	1480	\$56,660
744RSL4054	8600	4 Bars	380Y Only	1750	1400	1875	1500	1988	1590	\$61,250
744RSL4056	9740	4 Bars	380Y Only	2063	1650	2200	1760	2400	1920	\$68,907
744RSL4058	9740	4 Bars	380Y Only	2013	1610	2150	1720	2337	1870	\$71,972
744RSL4059	9740	4 Bars	380Y Only	2013	1610	2275	1820	2500	2000	\$93,385
Form Wound Coil Designs										
744FSL4060	7300	4 Bars	380Y Only	1450	1160	1563	1250	1650	1320	\$55,129
744FSL4062	8300	4 Bars	380Y Only	1725	1380	1875	1500	1963	1570	\$65,851

MAGNAPOWER[®] ①②

Base Model	Net Wt. (lbs.)	No. of Leads	Voltage	Continuous						Standby				List Price
				NEMA B 80°C R/R		NEMA F 105°C R/R		NEMA H 125°C R/R		NEMA F 130°C R/R		NEMA H 150°C R/R		
				kVA	kW	kVA	kW	kVA	kW	kVA	kW	kVA	kW	
1020FDL1100	15000	6	380Y Only	1938	1550	2225	1780	2225	1780	2225	1780	2225	1780	\$158,492
1020FDL1102	15900	6	380Y Only	2000	1600	2300	1840	2300	1840	2300	1840	2300	1840	\$174,580
1020FDL1104	16300	6	380Y Only	2225	1780	2550	2040	2550	2040	2550	2040	2550	2040	\$178,077
1020FDL1106	17000	6	380Y Only	2250	1800	2813	2250	2850	2280	2850	2280	2850	2280	\$183,001
1020FDL1108	17400	6	380Y Only	2450	1960	2900	2320	2925	2340	2925	2340	2925	2340	\$220,517
1030FDL1110	20500	6	380Y Only	2625	2100	3125	2500	3263	2610	3338	2670	3338	2670	\$253,546

① All 1000 frame generators have 4 bus bars, with the capability of differential protection.

② All 1000 frame generators incorporate form wound coils and VPI insulation systems.

Notes A, B, C, D, E, and F on page 64 apply to this page.

marathon[™]
Generators

50 Hertz

4-Pole Three Phase

220Y or 440Y Volts (12 Leads)

1500 RPM
NEMA Class H Insulation
40°C Ambient
0.8 Power Factor Lagging
Shunt (Non-PMG) Excitation
SE350E AVR

MAGNAPLUS® Standard Models

Base Model	Net Wt. (lbs.)	No. of Leads ④	Voltage	Bolt-on PMG Option Avail.	NEMA F Cont. 105°C R/R		NEMA H Cont. 125°C R/R		NEMA H Stby. 150°C R/R		List Price
					kVA	kW	kVA	kW	kVA	kW	
281CSL1502	220	12	220Y/440Y	Yes	9.6	7.7	10	8	10.5	8.4	\$2,835
282PSL1703③	240	12	220Y/440Y	Ⓜ	10.3	8.2	12	9.6	12.5	10	\$2,983
282CSL1504	250	12	220Y/440Y	Yes	13	10.4	14	11.2	15	12	\$3,137
282CSL1505	275	12	220Y/440Y	Yes	17	13.6	18.5	14.8	20	16	\$3,374
283CSL1506	310	12	220Y/440Y	Yes	18	14.4	20	16	22	17.6	\$3,754
283CSL1507	350	12	220Y/440Y	Yes	22	17.6	24	19.2	26	20.8	\$4,057
284CSL1508	405	12	220Y/440Y	Yes	25	20	27	22	30	24	\$4,437
361CSL1600①	518	12	220Y/440Y	Yes	41	32	45	36	47	38	\$4,663
361CSL1601①	569	12	220Y/440Y	Yes	45	36	51	41	54	43	\$5,053
361CSL1602①	620	12	220Y/440Y	Yes	51	41	56	45	60	48	\$5,741
362CSL1604①	706	12	220Y/440Y	Yes	75	60	81	65	88	70	\$6,203
362CSL1606①	796	12	220Y/440Y	Yes	81	65	90	72	100	80	\$7,117
363CSL1607①	943	12	220Y/440Y	Yes	101	81	113	90	119	95	\$7,656
431CSL6202①	1220	12	220Y/440Y	Yes	130	104	140	112	150	120	\$8,647
431CSL6204①	1310	12	220Y/440Y	Yes	151	121	163	130	173	138	\$9,495
431CSL6206①	1415	12	220Y/440Y	Yes	161	129	176	141	190	152	\$10,501
431CSL6208①	1455	12	220Y/440Y	Yes	195	156	210	168	225	180	\$11,097
432CSL6210①	1685	12	220Y/440Y	Yes	210	168	230	184	250	200	\$11,718
432CSL6212①	1760	12	220Y/440Y	Yes	260	208	280	224	300	240	\$13,253
433CSL6216①	2235	12	220Y/440Y	Yes	265	212	300	240	326	261	\$14,856
433CSL6220①	2245	12	220Y/440Y	Yes	310	248	343	274	371	297	\$15,764

MAGNAPLUS® Alternate Models③

281PSL1722	225	12	220Y/440Y	Ⓜ	6.9	5.5	7.5	6	7.9	6.3	\$2,835
282PSL1704	270	12	220Y/440Y	Ⓜ	10	8	10.5	8.4	11.5	9.2	\$3,137
282PSL1705	295	12	220Y/440Y	Ⓜ	12.5	10	15	12	15.6	12.5	\$3,374
283PSL1706	336	12	220Y/440Y	Yes	17.5	14	20	16	20.6	16.5	\$3,754
283PSL1707	366	12	220Y/440Y	Yes	22.5	18	25	20	26.3	21	\$4,057
284PSL1708	405	12	220Y/440Y	Yes	22	18	25	20	27	22	\$4,437
284PSL1742	436	12	220Y/440Y	Yes	27	22	31	25	32	26	\$4,601
285PSL1700	480	12	220Y/440Y	Yes	31	25	35	28	38	31	\$4,663
286PSL1701	600	12	220Y/440Y	Yes	45	36	50	40	52	42	\$5,053
287PSL1702	670	12	220Y/440Y	Yes	47	38	53	43	56	45	\$5,741

① 361 to 433 PSL (single bearing) or PDL (double bearing) models are the alternate to CSL models and have equivalent performance and dimensions.

② PMG Option available as build-up only.

③ Specialty and two bearing orders utilize these windings in place of 280 frame CSL models.

④ All MAGNAPLUS® models have linkboard as standard.

Notes A, B, C, D, E, and F on page 64 apply to this page.

1500 RPM
 NEMA Class H Insulation
 40°C Ambient
 0.8 Power Factor Lagging
 DVR®2000E+ AVR w/PMG Excitation

220Y or 440Y Volts
 (10-12 Leads)
440Y Volts (4 Leads)

**4-Pole
 Three Phase**

**50
 Hertz**

MAGNAMAX[®]DVR[®]

Base Model	Net Wt. (lbs.)	No. of Leads	Voltage	NEMA F Cont. 105°C R/R		NEMA H Cont. 125°C R/R		NEMA H Stby. 150°C R/R		List Price
				kVA	kW	kVA	kW	kVA	kW	
431RSL4005	1280	12	220Y/440Y	120	96	130	104	138	110	\$9,952
431RSL4007	1370	12	220Y/440Y	131	105	141	113	151	121	\$10,414
432RSL4009	1550	12	220Y/440Y	155	124	169	135	181	145	\$11,030
432RSL4011	1570	12	220Y/440Y	185	148	200	160	214	171	\$11,559
432RSL4013	1600	12	220Y/440Y	216	173	229	183	239	191	\$11,872
432RSL4015	1810	12	220Y/440Y	206	165	229	183	248	198	\$12,714
432RSL4017	1830	12	220Y/440Y	224	179	245	196	264	211	\$14,167
433RSL4019	2340	12	220Y/440Y	256	205	288	230	325	260	\$15,764
433RSL4021	2365	12	220Y/440Y	326	261	358	286	388	310	\$16,699
572RSL4024	2730	10	220Y/440Y	331	265	363	290	394	315	\$18,204
572RSL4025	2730	12	220Y/440Y	331	265	363	290	394	315	\$18,517
572RSL4027	2840	12	220Y/440Y	381	305	419	335	444	355	\$18,835
572RSL4028	3050	10	220Y/440Y	363	290	406	325	444	355	\$20,674
572RSL4029	3050	12	220Y/440Y	363	290	406	325	444	355	\$20,971
572RSL4030	3110	10	220Y/440Y	469	375	519	415	563	450	\$21,444
572RSL4031	3110	12	220Y/440Y	469	375	519	415	563	450	\$21,747
573RSL4032	3400	10	220Y/440Y	556	445	606	485	656	525	\$24,956
573RSL4033	3400	12	220Y/440Y	556	445	606	485	656	525	\$25,413
573RSL4034	3620	10	220Y/440Y	513	410	569	455	619	495	\$27,257
573RSL4035	3620	12	220Y/440Y	513	410	569	455	619	495	\$27,708
574RSL4036	4080	10	220Y/440Y	569	455	631	505	688	550	\$29,090
574RSL4037	4080	12	220Y/440Y	569	455	631	505	688	550	\$29,557
741RSL4045	5490	12	220Y/440Y	806	645	888	710	963	770	\$37,978
742RSL4049	6300	12	220Y/440Y	938	750	1031	825	1113	890	\$47,478
Single Voltage Only										
574RSL4038	4240	4	440Y Only	725	580	794	635	850	680	\$30,620
575RSL4044	5000	4 Bars	440Y Only	681	545	781	625	875	700	\$34,312
741RSL4044	5490	4 Bars	440Y Only	806	645	888	710	963	770	\$37,978
740RSL4046	5200	4 Bars	440Y Only	913	730	1000	800	1094	875	\$40,279
742RSL4048	6300	4 Bars	440Y Only	938	750	1031	825	1113	890	\$44,413
742RSL4050	7230	4 Bars	440Y Only	1350	1080	1463	1170	1563	1250	\$48,546
743RSL4052	7800	4 Bars	440Y Only	1119	895	1263	1010	1388	1110	\$56,660
744RSL4054	8600	4 Bars	440Y Only	1363	1090	1550	1240	1713	1370	\$61,250
744RSL4056	9740	4 Bars	440Y Only	1575	1260	1763	1410	1925	1540	\$68,907
744RSL4058	9740	4 Bars	440Y Only	1538	1230	1725	1380	1875	1500	\$71,972
Form Wound Coil Designs										
744FSL4060	7300	4 Bars	440Y Only	1350	1080	1475	1180	1588	1270	\$55,129
744FSL4062	8300	4 Bars	440Y Only	1575	1260	1725	1380	1863	1490	\$65,851

Notes A, B, C, D, E, and F on page 64 apply to this page.

50 Hertz

4-Pole Three Phase

200Y or 400Y Volts
(12 Leads)
230 or 115 Volts Delta
(12 Leads)

1500 RPM
NEMA Class H Insulation
40°C Ambient
0.8 Power Factor Lagging
Shunt (Non-PMG) Excitation
SE350E AVR

MAGNAPLUS® Standard Models

Base Model	Net Wt. (lbs.)	No. of Leads ④	Voltage	Bolt-on PMG Option Avail.	NEMA F Cont. 105°C R/R		NEMA H Cont. 125°C R/R		NEMA H Stby. 150°C R/R		List Price
					kVA	kW	kVA	kW	kVA	kW	
281CSL1502	220	12	200Y/400Y	Yes	11.7	9.3	12.3	9.8	12.9	10.3	\$2,835
282PSL1703②	240	12	200Y/400Y	②	12.5	10	13.8	11	15	12	\$2,983
282CSL1504	250	12	200Y/400Y	Yes	16.3	13	17.5	14	18.8	15	\$3,137
282CSL1505	275	12	200Y/400Y	Yes	21.8	17.4	23.9	19.1	25	20	\$3,374
283CSL1506	310	12	200Y/400Y	Yes	25	20	26	21	28	23	\$3,754
283CSL1507	350	12	200Y/400Y	Yes	28	22	30	24	33	26	\$4,057
284CSL1508	405	12	200Y/400Y	Yes	33	27	37	30	40	32	\$4,437
284CSL1542	420	12	200Y/400Y	Yes	37	30	41	33	45	36	\$4,601
361CSL1600③	518	12	200Y/400Y	Yes	44	36	48	38	51	41	\$4,663
361CSL1601③	569	12	200Y/400Y	Yes	52	42	57	46	61	49	\$5,053
361CSL1602③	620	12	200Y/400Y	Yes	63	50	68	54	75	60	\$5,741
362CSL1604③	706	12	200Y/400Y	Yes	81	65	88	70	94	75	\$6,203
362CSL1606③	796	12	200Y/400Y	Yes	94	75	100	80	110	88	\$7,117
363CSL1607③	943	12	200Y/400Y	Yes	113	90	130	104	133	106	\$7,656
431CSL6202③	1220	12	200Y/400Y	Yes	141	113	150	120	160	128	\$8,647
431CSL6204③	1310	12	200Y/400Y	Yes	165	132	175	140	185	148	\$9,495
431CSL6206③	1415	12	200Y/400Y	Yes	193	154	206	165	220	176	\$10,501
431CSL6208③	1455	12	200Y/400Y	Yes	210	168	225	180	235	188	\$11,097
432CSL6210③	1685	12	200Y/400Y	Yes	251	201	270	216	285	228	\$11,718
432CSL6212③	1760	12	200Y/400Y	Yes	271	217	300	240	306	245	\$13,253
433CSL6216③	2235	12	200Y/400Y	Yes	331	265	360	288	385	308	\$14,856
433CSL6220③	2245	12	200Y/400Y	Yes	368	294	400	320	420	336	\$15,764

MAGNAPLUS® Alternate Models③

281PSL1722	225	12	200Y/400Y	②	9.8	7.8	10.4	8.3	11.1	8.9	\$2,835
282PSL1704	270	12	200Y/400Y	②	13.8	11	15	12	16.3	13	\$3,137
282PSL1705	295	12	200Y/400Y	②	17.5	14	20	16	21.3	17	\$3,374
283PSL1706	336	12	200Y/400Y	Yes	23	19	26	21	27	22	\$3,754
283PSL1707	366	12	200Y/400Y	Yes	26	21	30	24	32	26	\$4,057
284PSL1708	405	12	200Y/400Y	Yes	30	24	33	27	36	29	\$4,437
284PSL1742	436	12	200Y/400Y	Yes	33	27	38	31	41	33	\$4,601
285PSL1700	480	12	200Y/400Y	Yes	40	32	43	35	47	38	\$4,663
286PSL1701	600	12	200Y/400Y	Yes	50	40	55	44	58	47	\$5,053
287PSL1702	670	12	200Y/400Y	Yes	53	43	60	48	62	50	\$5,741

① 361 to 433 PSL (single bearing) or PDL (double bearing) models are the alternate to CSL models and have equivalent performance and dimensions.

② PMG Option available as build-up only.

③ Specialty and two bearing orders utilize these windings in place of 280 frame CSL models.

④ All MAGNAPLUS® models have linkboard as standard.

Notes A, B, C, D, E, and F on page 64 apply to this page.

1500 RPM
NEMA Class H Insulation
40°C Ambient
0.8 Power Factor Lagging
DVR®2000E+ AVR w/PMG Excitation

200Y or 400Y Volts
(10-12 Leads)
400Y Volts (4-6 Leads)
230 or 115 Volts Delta
(12 Leads)

4-Pole
Three Phase

50
Hertz

MAGNAMAX^{DVR}

Base Model	Net Wt. (lbs.)	No. of Leads	Voltage	NEMA F Cont. 105°C R/R		NEMA H Cont. 125°C R/R		NEMA H Stby. 150°C R/R		List Price
				kVA	kW	kVA	kW	kVA	kW	
431RSL4005	1280	12	200Y/400Y	143	114	151	121	158	126	\$9,952
431RSL4007	1370	12	200Y/400Y	161	129	170	136	179	143	\$10,414
432RSL4009	1550	12	200Y/400Y	200	160	214	171	225	180	\$11,030
432RSL4011	1570	12	200Y/400Y	218	174	231	185	243	194	\$11,559
432RSL4013	1600	12	200Y/400Y	231	185	244	195	253	202	\$11,872
432RSL4015	1810	12	200Y/400Y	268	214	286	229	303	242	\$12,714
432RSL4017	1830	12	200Y/400Y	270	216	289	231	305	244	\$14,167
433RSL4019	2340	12	200Y/400Y	344	275	369	295	406	325	\$15,764
433RSL4021	2365	12	200Y/400Y	375	300	400	320	425	340	\$16,699
572RSL4024	2730	10	200Y/400Y	450	360	475	380	506	405	\$18,204
572RSL4025	2730	12	200Y/400Y	450	360	475	380	506	405	\$18,517
572RSL4027	2840	12	200Y/400Y	494	395	519	415	550	440	\$18,835
572RSL4028	3050	10	200Y/400Y	531	425	569	455	600	480	\$20,674
572RSL4029	3050	12	200Y/400Y	531	425	569	455	600	480	\$20,971
572RSL4030	3110	10	200Y/400Y	563	450	600	480	638	510	\$21,444
572RSL4031	3110	12	200Y/400Y	563	450	600	480	638	510	\$21,747
573RSL4032	3400	10	200Y/400Y	688	550	725	580	763	610	\$24,956
573RSL4033	3400	12	200Y/400Y	688	550	725	580	763	610	\$25,413
573RSL4034	3620	10	200Y/400Y	706	565	750	600	794	635	\$27,257
573RSL4035	3620	12	200Y/400Y	706	565	750	600	794	635	\$27,708
574RSL4036	4080	10	200Y/400Y	794	635	850	680	894	715	\$29,090
574RSL4037	4080	12	200Y/400Y	794	635	850	680	894	715	\$29,557
741RSL4045	5490	12	200Y/400Y	1038	830	1100	880	1181	945	\$37,978
742RSL4049	6300	12	200Y/400Y	1200	960	1288	1030	1363	1090	\$47,478
Single Voltage Only										
574RSL4038	4240	4	400Y Only	850	680	913	730	963	770	\$30,620
575RSL4044	5000	4 Bars	400Y Only	963	770	1038	830	1144	915	\$34,312
741RSL4044	5490	4 Bars	400Y Only	1038	830	1100	880	1181	945	\$37,978
740RSL4046	5200	4 Bars	400Y Only	1150	920	1225	980	1338	1070	\$40,279
742RSL4048	6300	4 Bars	400Y Only	1200	960	1288	1030	1363	1090	\$44,413
742RSL4050	7230	4 Bars	400Y Only	1450	1160	1550	1240	1638	1310	\$48,546
743RSL4052	7800	4 Bars	400Y Only	1550	1240	1688	1350	1813	1450	\$56,660
744RSL4054	8600	4 Bars	400Y Only	1788	1430	1925	1540	2038	1630	\$61,250
744RSL4056	9740	4 Bars	400Y Only	2113	1690	2288	1830	2450	1960	\$68,907
744RSL4058	9740	4 Bars	400Y Only	2089	1670	2238	1790	2438	1950	\$71,972
744RSL4059	9740	4 Bars	400Y Only	2088	1670	2275	1820	2500	2000	\$93,385
Form Wound Coil Designs										
744FSL4060	7300	4 Bars	400Y Only	1438	1150	1550	1240	1663	1330	\$55,129
744FSL4062	8300	4 Bars	400Y Only	1763	1410	1900	1520	2013	1610	\$65,851

MAGNAPOWER

Base Model	Net Wt. (lbs.)	No. of Leads	Voltage	Continuous						Standby				List Price
				NEMA B 80°C R/R		NEMA F 105°C R/R		NEMA H 125°C R/R		NEMA F 130°C R/R		NEMA H 150°C R/R		
				kVA	kW	kVA	kW	kVA	kW	kVA	kW	kVA	kW	
1020FDL1100	15000	6	400Y Only	1888	1510	2200	1760	2200	1760	2200	1760	2200	1760	\$158,492
1020FDL1102	15900	6	400Y Only	1944	1550	2278	1820	2278	1820	2278	1820	2278	1820	\$174,580
1020FDL1104	16300	6	400Y Only	2163	1730	2525	2020	2525	2020	2525	2020	2525	2020	\$178,077
1020FDL1106	17000	6	400Y Only	2150	1720	2700	2160	2740	2190	2740	2190	2740	2190	\$183,001
1020FDL1108	17400	6	400Y Only	2338	1870	2788	2230	2813	2250	2813	2250	2813	2250	\$220,517
1030FDL1110	20500	6	400Y Only	2550	2040	3050	2440	3250	2600	3288	2630	3288	2630	\$253,546

① All 1000 frame generators have 4 bus bars, with the capability of differential protection.

② All 1000 frame generators incorporate form wound coils and VPI insulation systems.

Notes A, B, C, D, E, and F on page 64 apply to this page.

marathon[™]
Generators

50 Hertz

4-Pole Three Phase Broad Range

190Y-208Y or 380Y-415Y Volts (12 Leads)

1500 RPM
NEMA Class H Insulation
40°C Ambient
0.8 Power Factor Lagging
Shunt (Non-PMG) Excitation
SE350E AVR

MAGNAPLUS® Standard Models

Base Model	Net Wt. (lbs.)	No. of Leads ④	Voltage	Bolt-on PMG Option Avail.	NEMA F Cont. 105°C R/R		NEMA H Cont. 125°C R/R		NEMA H Stby. 150°C R/R		List Price
					kVA	kW	kVA	kW	kVA	kW	
281CSL1502	220	12	190Y-208Y/380Y-415Y	Yes	11.3	9	12	9.6	12.5	10	\$2,835
282PSL1703③	240	12	190Y-208Y/380Y-415Y	②	12	9.6	13.1	10.5	14.4	11.5	\$2,983
282CSL1504	250	12	190Y-208Y/380Y-415Y	Yes	16.3	13	17.5	14	18.8	15	\$3,137
282CSL1505	275	12	190Y-208Y/380Y-415Y	Yes	21.3	17	23.1	18.5	25	20	\$3,374
283CSL1506	310	12	190Y-208Y/380Y-415Y	Yes	22	18	25	20	27	22	\$3,754
283CSL1507	350	12	190Y-208Y/380Y-415Y	Yes	27	22	30	24	32	26	\$4,057
284CSL1508	405	12	190Y-208Y/380Y-415Y	Yes	31	25	35	28	37	30	\$4,437
284CSL1542	420	12	190Y-208Y/380Y-415Y	Yes	36	29	40	32	42	34	\$4,601
361CSL1600①	518	12	190Y-208Y/380Y-415Y	Yes	44	35	45	36	50	40	\$4,663
361CSL1601①	569	12	190Y-208Y/380Y-415Y	Yes	50	40	56	45	60	48	\$5,053
361CSL1602①	620	12	190Y-208Y/380Y-415Y	Yes	60	48	65	52	73	58	\$5,741
362CSL1604①	706	12	190Y-208Y/380Y-415Y	Yes	80	64	85	68	91	73	\$6,203
362CSL1606①	796	12	190Y-208Y/380Y-415Y	Yes	90	72	100	80	110	88	\$7,117
363CSL1607①	943	12	190Y-208Y/380Y-415Y	Yes	113	90	130	104	133	106	\$7,656
431CSL6202①	1220	12	190Y-208Y/380Y-415Y	Yes	140	112	150	120	155	124	\$8,647
431CSL6204①	1310	12	190Y-208Y/380Y-415Y	Yes	165	132	175	140	183	146	\$9,495
431CSL6206①	1415	12	190Y-208Y/380Y-415Y	Yes	185	148	200	160	211	169	\$10,501
431CSL6208①	1455	12	190Y-208Y/380Y-415Y	Yes	206	165	225	180	235	188	\$11,097
432CSL6210①	1685	12	190Y-208Y/380Y-415Y	Yes	240	192	260	208	275	220	\$11,718
432CSL6212①	1760	12	190Y-208Y/380Y-415Y	Yes	270	216	300	240	303	242	\$13,253
433CSL6216①	2235	12	190Y-208Y/380Y-415Y	Yes	320	256	350	280	375	300	\$14,856
433CSL6220①	2245	12	190Y-208Y/380Y-415Y	Yes	355	284	400	320	410	328	\$15,764

MAGNAPLUS® Alternate Models⑤

281PSL1722	225	12	190Y-208Y/380Y-415Y	②	9	7.2	9.8	7.8	10.5	8.4	\$2,835
282PSL1704	270	12	190Y-208Y/380Y-415Y	②	12.5	10	13.8	11	15	12	\$3,137
282PSL1705	295	12	190Y-208Y/380Y-415Y	②	16.3	13	18.8	15	20	16	\$3,374
283PSL1706	336	12	190Y-208Y/380Y-415Y	Yes	22	18	25	20	26	21	\$3,754
283PSL1707	366	12	190Y-208Y/380Y-415Y	Yes	26	21	30	24	32	26	\$4,057
284PSL1708	405	12	190Y-208Y/380Y-415Y	Yes	28	23	32	26	35	28	\$4,437
284PSL1742	436	12	190Y-208Y/380Y-415Y	Yes	33	27	37	30	40	32	\$4,601
285PSL1700	480	12	190Y-208Y/380Y-415Y	Yes	37	30	42	34	45	36	\$4,663
286PSL1701	600	12	190Y-208Y/380Y-415Y	Yes	50	40	55	44	58	47	\$5,053
287PSL1702	670	12	190Y-208Y/380Y-415Y	Yes	53	43	60	48	62	50	\$5,741

① 361 to 433 PSL (single bearing) or PDL (double bearing) models are the alternate to CSL models and have equivalent performance and dimensions.

② PMG Option available as build-up only.

③ Specialty and two bearing orders utilize these windings in place of 280 frame CSL models.

④ All MAGNAPLUS® models have linkboard as standard.

Notes A, B, C, D, E, and F on page 64 apply to this page.

1500 RPM
 NEMA Class H Insulation
 40°C Ambient
 0.8 Power Factor Lagging
 DVR®2000E+ AVR w/PMG Excitation

**190Y-208Y or
 380Y-415Y Volts**
 (10-12 Leads)

**4-Pole
 Three Phase
 Broad Range**

**50
 Hertz**

MAGNAMAX[®]DVR[®]

Base Model	Net Wt. (lbs.)	No. of Leads	Voltage	NEMA F Cont. 105°C R/R		NEMA H Cont. 125°C R/R		NEMA H Stby. 150°C R/R		List Price
				kVA	kW	kVA	kW	kVA	kW	
431RSL4005	1280	12	190Y-208Y/380Y-415Y	136	109	145	116	151	121	\$9,952
431RSL4007	1370	12	190Y-208Y/380Y-415Y	155	124	164	131	173	138	\$10,414
432RSL4009	1550	12	190Y-208Y/380Y-415Y	189	151	203	162	214	171	\$11,030
432RSL4011	1570	12	190Y-208Y/380Y-415Y	208	166	221	177	234	187	\$11,559
432RSL4013	1600	12	190Y-208Y/380Y-415Y	231	185	244	195	253	202	\$11,872
432RSL4015	1810	12	190Y-208Y/380Y-415Y	253	202	275	220	290	232	\$12,714
432RSL4017	1830	12	190Y-208Y/380Y-415Y	258	206	278	222	294	235	\$14,167
433RSL4019	2340	12	190Y-208Y/380Y-415Y	338	270	363	290	394	315	\$15,764
433RSL4021	2365	12	190Y-208Y/380Y-415Y	366	293	394	315	413	330	\$16,699
572RSL4024	2730	10	190Y-208Y/380Y-415Y	413	330	444	355	475	380	\$18,204
572RSL4025	2730	12	190Y-208Y/380Y-415Y	413	330	444	355	475	380	\$18,517
572RSL4027	2840	12	190Y-208Y/380Y-415Y	469	375	500	400	531	425	\$18,835
572RSL4028	3050	10	190Y-208Y/380Y-415Y	500	400	531	425	563	450	\$20,674
572RSL4029	3050	12	190Y-208Y/380Y-415Y	500	400	531	425	563	450	\$20,971
572RSL4030	3110	10	190Y-208Y/380Y-415Y	550	440	581	465	625	500	\$21,444
572RSL4031	3110	12	190Y-208Y/380Y-415Y	550	440	581	465	625	500	\$21,747
573RSL4032	3400	10	190Y-208Y/380Y-415Y	650	520	700	560	738	590	\$24,956
573RSL4033	3400	12	190Y-208Y/380Y-415Y	650	520	700	560	738	590	\$25,413
573RSL4034	3620	10	190Y-208Y/380Y-415Y	669	535	713	570	756	605	\$27,257
573RSL4035	3620	12	190Y-208Y/380Y-415Y	669	535	713	570	756	605	\$27,708
574RSL4036	4080	10	190Y-208Y/380Y-415Y	731	585	788	630	838	670	\$29,090
574RSL4037	4080	12	190Y-208Y/380Y-415Y	731	585	788	630	838	670	\$29,557
741RSL4045	5490	12	190Y-208Y/380Y-415Y	969	775	1038	830	1106	885	\$37,978
742RSL4049	6300	12	190Y-208Y/380Y-415Y	1131	905	1219	975	1300	1040	\$47,478

Notes A, B, C, D, E, and F on page 64 apply to this page.

50 Hertz

4-Pole Single Phase

220/110 Volts (12 Leads)[Ⓞ]
440/220 Volts (12 Leads)[Ⓞ]
110 Volts Delta
 (12 Leads)

1500 RPM
 NEMA Class H Insulation
 40°C Ambient

MAGNAPLUS[®] Standard Models^{ⓄⓈ}, SE350E AVR with Shunt (Non-PMG) Excitation

Base Model	Net Wt. (lbs.)	Bolt-on PMG Option Avail.	Ratings @ 0.8 Power Factor Lagging						Ratings @ 1.0 Power Factor			List Price
			NEMA F Cont. 105°C R/R		NEMA H Cont. 125°C R/R		NEMA H Stby. 150°C R/R		NEMA F Cont. 105°C R/R	NEMA H Cont. 125°C R/R	NEMA H Stby. 150°C R/R	
			kVA	kW	kVA	kW	kVA	kW	kVA/kW	kVA/kW	kVA/kW	
281CSL1502	220	Yes	6.9	5.5	7.5	6	7.8	6.2	7.5	8	8.5	\$2,835
282PSL1703 [Ⓢ]	240	Ⓢ	7.5	6	7.9	6.3	8.1	6.5	8.7	9.3	9.7	\$2,983
282CSL1504	250	Yes	9.4	7.5	10	8	10.6	8.5	10	11	11.5	\$3,137
282CSL1505	275	Yes	12.8	10.2	13.8	11	14.4	11.5	13	14	15	\$3,374
283CSL1506	310	Yes	14.4	11.5	16.3	13	16.9	13.5	16	18	19	\$3,754
283CSL1507	350	Yes	16.3	13	16.9	13.5	17.5	14	19	20	21	\$4,057
284CSL1508	405	Yes	20	16	22.5	18	25	20	24	26	28	\$4,437
284CSL1542	420	Yes	22.5	18	25	20	26.3	21	25	27	29	\$4,601
361CSL1600 [Ⓢ]	518	Yes	25	20	26	21	29	23	28	30	32	\$4,663
361CSL1601 [Ⓢ]	569	Yes	29	23	31	25	34	27	33	35	38	\$5,053
361CSL1602 [Ⓢ]	620	Yes	33	26	35	28	39	31	37	40	43	\$5,741
362CSL1604 [Ⓢ]	706	Yes	44	35	48	38	53	42	46	50	54	\$6,203
362CSL1606 [Ⓢ]	796	Yes	51	41	56	45	60	48	56	60	65	\$7,117
363CSL1607 [Ⓢ]	943	Yes	58	46	63	50	66	53	60	65	70	\$7,656
431CSL6202 [Ⓢ]	1220	Yes	90	72	95	76	100	80	90	95	100	\$8,647
431CSL6204 [Ⓢ]	1310	Yes	100	80	110	88	115	92	100	110	115	\$9,495
431CSL6206 [Ⓢ]	1415	Yes	120	96	130	104	135	108	120	130	135	\$10,501
431CSL6208 [Ⓢ]	1455	Yes	125	100	140	112	145	116	125	140	145	\$11,097
432CSL6210 [Ⓢ]	1685	Yes	150	120	165	132	170	136	150	165	170	\$11,718
432CSL6212 [Ⓢ]	1760	Yes	150	120	165	132	170	136	150	165	170	\$13,253
433CSL6216 [Ⓢ]	2235	Yes	190	152	200	160	215	172	190	200	215	\$14,856
433CSL6220 [Ⓢ]	2245	Yes	190	152	200	160	215	172	190	200	215	\$15,764

MAGNAPLUS[®] Alternate Models^{ⓈⓈⓈ}, SE350E AVR with Shunt (Non-PMG) Excitation

281PSL1722	225	Ⓢ	6	4.8	6.3	5	6.5	5.2	8	8.5	9	\$2,835
282PSL1704	270	Ⓢ	9.1	7.3	9.8	7.8	10	8	12	13	14	\$3,137
282PSL1705	295	Ⓢ	11.3	9	12.5	10	13.1	10.5	13.5	15	16	\$3,374
283PSL1706	336	Yes	13.8	11	15	12	16.3	13	17	18	20	\$3,754
283PSL1707	366	Yes	16.9	13.5	18.1	14.5	18.8	15	19	21	23	\$4,057
284PSL1708	405	Yes	20	16	21.3	17	22.5	18	25	26	28	\$4,437
284PSL1742	436	Yes	23.8	19	26.3	21	27.5	22	27	30	32	\$4,601
285PSL1700	480	Yes	25	20	28	22	30	24	28	31	33	\$4,663
286PSL1701	600	Yes	28	22	31	25	34	27	32	35	37	\$5,053
287PSL1702	670	Yes	31	25	34	27	36	29	35	37	40	\$5,741

MAGNAMAX^{DVR} DVR[Ⓢ]2000E+ AVR with PMG Excitation

431RSL4005	1280	Std.	70	56	74	59	76	61	70	74	77	\$9,952
431RSL4007	1370	Std.	91	73	96	77	101	81	92	97	102	\$10,414
432RSL4009	1550	Std.	116	93	124	99	130	104	116	124	130	\$11,030
432RSL4011	1570	Std.	115	92	121	97	128	102	115	122	128	\$11,559
432RSL4013	1600	Std.	118	94	124	99	129	103	118	124	129	\$11,872
432RSL4015	1810	Std.	136	109	146	117	155	124	136	146	155	\$12,714
432RSL4017	1830	Std.	134	107	143	114	151	121	134	143	151	\$14,162
433RSL4019	2340	Std.	169	135	181	145	200	160	169	181	200	\$15,764
433RSL4021	2365	Std.	179	143	191	153	203	162	179	191	203	\$16,699

Ⓢ 361 to 433 PSL (single bearing) or PDL (double bearing) models are the alternate to CSL models and have equivalent performance and dimensions.

Ⓢ PMG Option available as build-up only.

Ⓢ Specialty and two bearing orders utilize these windings in place of 280 frame CSL models.

Ⓢ All MAGNAPLUS[®] models have linkboard as standard.

Ⓢ For 110 volt only service, use an SE350EL voltage regulator to replace the standard SE350E regulator. See Modification Section for price adder.

Ⓢ 220/110 volts can be obtained by connecting in either a Low Zigzag or Double Delta; and 440/220 volts can be obtained by connecting in High Zigzag connections. (See pages 72-73 for connection diagrams)

Notes A, B, C, D, E, and F on page 64 apply to this page.

1500 RPM
NEMA Class H Insulation
40°C Ambient
Shunt (Non-PMG) Excitation
SE350EL AVR

220/110 or 110 Volts
(4 Leads)

4-Pole
Dedicated
Single Phase

50
Hertz

MAGNAPLUS Standard Models^①

Base Model	Net Wt. (lbs.)	Bolt-on PMG Option Avail.	Ratings @ 0.8 Power Factor Lagging						Ratings @ 1.0 Power Factor			List Price
			NEMA F Cont. 105°C R/R		NEMA H Cont. 125°C R/R		NEMA H Stby. 150°C R/R		NEMA F Cont. 105°C R/R	NEMA H Cont. 125°C R/R	NEMA H Stby. 150°C R/R	
			kVA	kW	kVA	kW	kVA	kW	kVA/kW	kVA/kW	kVA/kW	
281CSL1513	216	Yes	6.6	5.3	7.1	5.7	7.5	6	9.5	10	10.5	\$2,865
282PSL1714 ^②	236	②	6.5	5.2	7.5	6	7.9	6.3	9	9.7	10.5	\$2,999
282CSL1515	250	Yes	9.4	7.5	10	8	10.6	8.5	13	14	15	\$3,081
282PSL1716	288	②	10.6	8.5	11.3	9	12.5	10	16	17.5	18.5	\$3,456
283CSL1517	349	Yes	15.6	12.5	16.9	13.5	18.1	14.5	22	24	25	\$3,872
361CSL1611 ^①	513	Yes	N/A	N/A	N/A	N/A	N/A	N/A	28	31	35	\$4,991
361CSL1612 ^①	578	Yes	24	19	26	21	30	24	37	40	45	\$5,351
361CSL1613 ^①	626	Yes	39	31	44	35	46	37	50	54	58	\$5,833
362CSL1615 ^①	779	Yes	39	31	44	35	46	37	55	60	65	\$6,203
431PSL6222	1070	Yes	60	48	63	50	70	56	86	93	100	\$8,427
431PSL6224	1280	Yes	81	65	88	70	95	76	115	125	135	\$9,346
432PSL6228	1720	Yes	145	116	156	125	170	136	170	185	195	\$11,030

MAGNAPLUS Alternate Models^{③④}

281PSL1763	220	②	5	4	5.6	4.5	6	4.8	8	8.5	9	\$2,865
282PSL1715	265	②	8.1	6.5	8.8	7	9.4	7.5	12.5	13.5	14	\$3,081
283PSL1717	331	②	12	9.6	13.1	10.5	13.8	11	18	20	22	\$3,872
283PSL1718	360	②	15	12	16.3	13	17.5	14	23	25	27	\$4,180
284PSL1750	430	Yes	20	16	22	18	23	19	30	33	35	\$4,745
285PSL1711	470	Yes	21	17	25	20	26	21	30	33	37	\$4,991
286PSL1712	590	Yes	26	21	27	22	30	24	37	40	43	\$5,351
287PSL1713	660	Yes	27	22	28	23	31	25	40	43	45	\$5,833

① 361 to 433 PSL (single bearing) or PDL (double bearing) models are the alternate to CSL models and have equivalent performance and dimensions.

② PMG Option available as build-up only.

③ Specialty and two bearing orders utilize these windings in place of 280 frame CSL models.

④ All MAGNAPLUS® models have linkboard as standard.

Notes A, B, C, D, E, and F on page 64 apply to this page.

60 Hertz

**6-Pole
Three Phase
Broad Range**

**208Y-240Y or
416Y-480Y Volts**
(12 Leads)
240 or 120 Volts Delta
(12 Leads)

1200 RPM
NEMA Class F Insulation
40°C Ambient
0.8 Power Factor Lagging
Shunt (Non-PMG) Excitation
SE350E AVR

LIMA® SER®

Base Model	Net Wt. (lbs.)	kW Rating Continuous			List Price
		NEMA B 80°C R/R	NEMA F 105°C R/R	NEMA H 125°C R/R	
361SSL0105	580	21	23	N/A	\$7,328
361SSL0107	605	32	35	N/A	\$7,815
361SSL0108	685	42	45	N/A	\$9,151
441SSL0109	885	55	61	N/A	\$9,474
441SSL0110	970	67	75	N/A	\$10,568
441SSL0111	1035	75	81	N/A	\$11,677
441SSL0112	1185	103	112	N/A	\$13,418

60 Hertz

**6-Pole
Three Phase**

240Y or 480Y Volts
(12 Leads)
480Y Volts (6 Leads)

1200 RPM
NEMA Class H Insulation
40°C Ambient
0.8 Power Factor Lagging
DVR®2000E+ AVR w/PMG Excitation

MAGNAMAX^{DVR}

Frame	Net Wt. (lbs.)	No. of Leads	kW Rating Continuous			List Price
			NEMA B 80°C R/R	NEMA F 105°C R/R	NEMA H 125°C R/R	
572	2050	12	160	180	200	\$27,590
572	2204	12	200	230	250	\$30,101
572	2502	12	250	290	315	\$34,738
573	2976	12	300	348	380	\$37,619
573	3417	12	400	460	500	\$42,513
574	4144	12	500	578	630	\$47,278
742 ③	6488	6	600	690	750	\$56,310
742 ③	7438	6	730	915	1000	\$67,967
743 ③	8708	6	925	1150	1250	\$80,008
744 ③	9340	6	1100	1375	1500	\$96,060

60 Hertz

**6-Pole
Single Phase**

**240/120 Volts Zigzag
or Double Delta
Connection** (12 Leads)

1200 RPM
NEMA Class F Insulation
40°C Ambient
Shunt (Non-PMG) Excitation
SE350E AVR®

LIMA® SER®

Base Model	Net Wt. (lbs.)	kW Rating Continuous				List Price
		0.8 Power Factor Lagging		1.0 Power Factor		
		NEMA B 80°C R/R	NEMA F 105°C R/R	NEMA B 80°C R/R	NEMA F 105°C R/R	
361SSL0105	580	12	13	15	16	\$7,328
361SSL0107	605	16	17	20	22	\$7,815
361SSL0108	685	22	23	27	29	\$9,151
441SSL0109	885	30	34	38	43	\$9,474
441SSL0110	970	36	40	45	50	\$10,568
441SSL0111	1035	42	45	53	56	\$11,677
441SSL0112	1185	50	52	62	65	\$13,418

① For 120 volt only service, use an SE350EL voltage regulator to replace the standard SE350E regulator.
See Modification Section for price adder.

② Available in standard or "Delco" feet.

③ Contact your sales representative for lead time on 740 six pole.

④ UL not available on 570-740 frame 6 pole product.

⑤ Field CSA approval available upon request.

Notes A, B, C, D, E, and F on page 64 apply to this page.

1000 RPM
 NEMA Class F Insulation
 40°C Ambient
 0.8 Power Factor Lagging
 Shunt (Non-PMG) Excitation
 SE350E AVR

**190Y-208Y or
 380Y-415Y Volts**
 (12 Leads)
220 or 110 Volts Delta
 (12 Leads)

**6-Pole
 Three Phase
 Broad Range**

**50
 Hertz**

LIMA® SER ①④

Base Model	Net Wt. (lbs.)	kVA Rating Continuous			List Price
		NEMA B 80°C R/R	NEMA F 105°C R/R	NEMA H 125°C R/R	
361SSL0105	580	19	20	N/A	\$7,328
361SSL0107	605	29	31	N/A	\$7,815
361SSL0108	685	39	45	N/A	\$9,151
441SSL0109	885	48	53	N/A	\$9,474
441SSL0110	970	63	71	N/A	\$10,568
441SSL0111	1035	66	75	N/A	\$11,677
441SSL0112	1185	103	113	N/A	\$13,418

1000 RPM
 NEMA Class H Insulation
 40°C Ambient
 0.8 Power Factor Lagging
 DVR®2000E+ AVR w/PMG Excitation

200Y or 400Y Volts
 (12 Leads)
400Y Volts (6 Leads)

**6-Pole
 Three Phase**

**50
 Hertz**

MAGNAMAX^{DVR} ③④

Frame	Net Wt. (lbs.)	No. of Leads	kVA Rating Continuous			List Price
			NEMA B 80°C R/R	NEMA F 105°C R/R	NEMA H 125°C R/R	
572	2050	12	160	180	200	\$27,590
572	2204	12	200	231	250	\$30,101
572	2502	12	250	288	313	\$34,738
573	2976	12	300	344	375	\$37,619
573	3417	12	400	456	500	\$42,513
574	4144	12	500	575	625	\$47,278
742 ②	6488	6	600	688	750	\$56,310
742 ②	7438	6	800	919	1000	\$67,967
743 ②	8708	6	1000	1144	1250	\$80,008
744 ②	9340	6	1200	1375	1500	\$96,060

① Available in standard or "Delco" feet.
 ② Contact your sales representative for lead time on 740 six pole.
 ③ UL not available on 570-740 frame 6 pole product.
 ④ Field CSA approval available upon request.
 Notes A, B, C, D, E, F, and G on page 64 apply to this page.

400 Hertz

24-Pole Three Phase

208Y or 416Y Volts
(10 Leads)ⓐ

2000 RPM
40°C Ambient
0.8 Power Factor Lagging
Shunt (Non-PMG) Excitation
AVC63-12B2 Voltage Regulator

Type	Base Model	Net Wt. (lbs.)	kW Rating @ 208 or 416 Volts		List Price
			80°C R/R	105°C R/R	
LIMA® SER	360SSL1311	450	25	30	\$11,189
LIMA® SER	360SSL1312	570	30	35	\$12,093
LIMA® SER	360SSL1313	590	40	50	\$13,022
MAGNAPLUS®	430PSL1314	1200	60	70	\$16,237
MAGNAPLUS®	430PSL1315	1220	75	90	\$17,618
MAGNAPLUS®	430PSL1316	1240	100	120	\$19,749
MAGNAPLUS®	432PSL1821	1575	108	144	\$24,509

60 Hertz

Single Phase Capacitor Designs

Light Tower Applicationsⓑⓓ
240/120 or 120 Volts
(4 Leads)

1800 RPM
NEMA Class F Insulation
40°C Ambient
1.0 Power Factor

Pancake

Base Model	kW @ 80°C R/R	kW @ 105°C R/R	Length (in.)	Weight (lbs.)	List Price
201CSA5411	5.4	6	9.72	110	\$1,926
201CSA5420	7.2	8	10.71	127	\$2,259

50 Hertz

Single Phase Capacitor Designs

Light Tower Applicationsⓑⓓ
220/110 or 110 Volts
(4 Leads)

1500 RPM
NEMA Class F Insulation
40°C Ambient
1.0 Power Factor

Pancake

Base Model	kW @ 80°C R/R	kW @ 105°C R/R	Length (in.)	Weight (lbs.)	List Price
332CSA5213	5.5	6.5	8.5	134	\$2,424

ⓑ Light Tower models have been specifically designed to have characteristics compatible with the needs of Metal Halide lamps.

ⓐ Consult factory for availability of 12 leads.

ⓓ CSA models are SAE 5, CSB models are SAE 4.

Notes A, B, C, D, E, and F on page 64 apply to this page.

1800 RPM
NEMA Class F-Stator/H-Rotor Insulation
40°C Ambient
10 Lead - 0.8 Power Factor Lagging
12 Lead - 0.9 Power Factor Lagging

LIMA®MAC
Inherently Voltage
Regulated®

4-Pole

60
Hertz

LIMA®MAC IRRIGATOR

Base Model 10 Leads 240Y or 480Y 3Ø	Net Wt. (lbs.)	3 Phase Continuous NEMA B 80°C R/R	List Price
250MSL1237	150	5	\$2,788
250MSL1238	165	7.5	\$3,204
280MSL0054	245	10	\$3,440
280MSL0055	260	12	\$3,697
280MSL0056	275	15	\$4,185
360MSL0057	560	20	\$5,335
360MSL0058	635	25	\$5,977
360MSL0059	685	30	\$6,403
360MSL0060	720	40	\$6,891

LIMA®MAC Irrigator generators feature insulation systems with a polybutadiene overcoat for harsh duty in dust and moisture laden applications. The LIMA®MAC Irrigator generators above also come with a two year in-service warranty.

LIMA®MAC

Base Model ③		Net Wt. (lbs.)	3 Phase Continuous NEMA B 80°C R/R	1 Phase Continuous NEMA F 105°C R/R	List Price
10 Leads 240Y or 480Y 3Ø	12 Leads 208Y or 416Y 3Ø or 240/120, 1Ø				
← See LIMA®MAC Irrigator ←	250MSL1235	150	5	5	\$2,680
	250MSL1236	165	7.5	7.5	\$3,081
	280MSL0079	245	10	10	\$3,307
	280MSL0080	260	12	12	\$3,553
	280MSL0081	275	15	15	\$4,026
	360MSL0082	560	20	20	\$5,130
	360MSL0083	635	25	25	\$5,751
	360MSL0084	685	30	30	\$6,157
	360MSL0085	720	40	40	\$6,624
440MSL0885	440MSL0860	1035	50	50	\$8,108
440MSL0886	440MSL0861	1085	60	60	\$8,683
440MSL0887	440MSL0862	1185	75	75	\$10,501
440MSL0888	440MSL0863	1270	100	100	\$12,139
580MSL0889	N/A	1710	125	N/A	\$13,094
580MSL1166	N/A	1770	150	N/A	\$14,275
580MSL0891	N/A	2130	175	N/A	\$16,329
580MSL0892	N/A	2185	200	N/A	\$18,527
680MSL0893	N/A	2510	250	N/A	\$20,032
680MSL0894	N/A	2660	300	N/A	\$21,454

1800 RPM
NEMA Class F-Stator/H-Rotor
Insulation
40°C Ambient
0.9 Power Factor Lagging

240/120 Volts
(4 Leads)②

4-Pole
Dedicated
Single Phase

60
Hertz

LIMA®MAC

Base Model	Number of Leads	Net Wt. (lbs.)	Standard Voltage Regulator	Continuous kW 105°C R/R	List Price
250MSL1185	4	165	Not Required	5	\$2,593
250MSL1152	4	180	Not Required	7.5	\$2,999

1800 RPM
NEMA Class F-Stator/H-Rotor Insulation
40°C Ambient
0.8 Power Factor Lagging

240Y or 480Y Volts
(10 Leads)①②

4-Pole
Three Phase

60
Hertz

LIMA®MAC Reefer

Base Model	Number of Leads	Overall Length	Net Wt. (lbs.)	Standard Voltage Regulator	Continuous kW 105°C R/R	List Price
260MSL1361	10	17.0"	285	Not Required	15	\$4,180

① LIMA®MAC generators are specifically designed for starting three phase AC electric motors. LIMA®MAC generators provide 1 hp/kW, Code G induction motor starting capability with 35% voltage dip (80°C rise rating).

② LIMA®MAC generators are self-excited and inherently-regulated, providing 4% voltage regulation without external voltage regulator or transformers. LIMA®MAC generators inherently provide 500% 3 phase short circuit support and volts/hertz operation.

③ Only 12-lead units may be connected for single phase operation: 120 V Delta, 240/120 V Delta, 240/120 V Low Zigzag or 480 V High Zigzag. Notes A through D on page 64 apply to this page.

60 Hertz

Three Phase Induction Generators

PRIMELINE®

NEMA Class F Insulation
40°C Ambient

4-Pole, Single Bearing Dripproof Induction Generators

240 or 480 Volts, 1800 RPM

Base Model	Net Wt. (lbs.)	No. of Leads ^③	Continuous kW 80°C R/R	List Price
364TTDS17033 ^{③⑤}	725	3	60	\$6,342
365TTDS8771 ^⑤	850	9	80	\$7,045
431ASL1415 ^{①②}	1340	9	150	\$11,939
431ASL1417 ^{①②}	1600	12	200	\$12,560
431ASL1414 ^{①②}	1760	9	220	\$14,547
431ASL1421 ^{①②③}	1925	3	250	\$14,999
431ASL1420 ^{①②}	1425	9	265	\$15,307
431ASL1418 ^{①②}	1425	9	300	\$16,078
572ASL1418 ^{①②}	2650	9	350	\$21,901
572ASL1413 ^{①②}	2650	9	400	\$22,209
572ASL1414 ^{①②}	2950	12	450	\$29,614

208 or 416 Volts, 1800 RPM

Base Model	Net Wt. (lbs.)	No. of Leads ^③	Continuous kW 80°C R/R	List Price
365TTDS8771 ^⑤	850	9	80	\$7,045
431ASL1419 ^{①②}	1025	12	150	\$12,560
431ASL1416 ^{①②}	1525	12	160	\$13,474
431ASL1420 ^{①②}	1425	9	200	\$15,307
572ASL1413 ^{①②}	2650	9	350	\$22,209

- ① Pricing for 431 frame and 572 frame induction generators includes the conduit box, however the conduit box must be listed as a separate line item on the order.
- ② The 431 frame and 572 frame induction generators are constructed in synchronous generator rolled steel housings with standard generator mounting feet. The 431 and 572 frame units will accept Marathon standard SAE adapters and drive discs. Contact the factory to obtain pricing for specific customers.
- ③ This is a 3 lead unit, designed to operate at 480 V only.
- ④ Other designs available; please contact factory.
- ⑤ These are in motor frames and are not a standard generator frame type. Notes C and D on page 64 apply to this page.

Two Bearing Dripproof Induction Generators^{①③}

4-Pole, 1800 RPM, 480 Volts

Frame	Net Wt. (lbs.)	No. of Leads ^②	Continuous kW		List Price
			80°C R/R	105°C R/R	
254	161	3	12	14	\$1,340
256	233	3	17	19	\$1,618
284	346	3	25	28	\$1,998
286	354	3	29	34	\$2,306
324	401	3	35	40	\$2,942
326	430	3	50	57	\$3,440
364	720	3	65	75	\$3,969
365	815	3	72	85	\$4,755
404	1040	3	100	110	\$5,905
405	1112	3	110	120	\$7,025
444	1335	3	130	157	\$8,694
445	1450	3	150	175	\$12,042
447	2064	3	275	315	\$14,984
505	2150	3	275	320	\$17,305
508	3050	3	400	425	\$25,115
510	3850	12	450	500	\$29,146

6-Pole, 1200 RPM, 480 Volts

Frame	Net Wt. (lbs.)	No. of Leads ^②	Continuous kW		List Price
			80°C R/R	105°C R/R	
284	346	3	14	17	\$1,938
286	354	3	18	21	\$2,237
324	401	3	22	24	\$2,854
326	430	3	25	29	\$3,337
364	720	3	40	46	\$3,850
365	815	3	50	55	\$4,612
404	1040	3	65	75	\$5,728
405	1112	3	80	88	\$6,814
444	1335	3	90	100	\$8,433
445	1450	3	110	125	\$11,681
447	1792	3	180	200	\$14,534
505	2100	3	190	220	\$16,786
508	2850	3	325	350	\$24,362
510	3750	12	400	440	\$28,272

- ① For modifications to PRIMELINE® two bearing generators, please contact factory.
- ② Other designs available; please contact factory.
- ③ These are in motor frames and are not a standard generator frame type. Notes C and D on page 64 apply to this page.

SPECIFICATIONS:

General – all standard Marathon induction generators are manufactured to NEMA dimensions. All testing is performed on a motoring dynamometer as an induction generator.

- kW Rating 12 - 500
- Voltage 208/416, 240/480, 480
- Hertz 60
- RPM 1800, 1200
- Frame Sizes 254T-510U, 431, 572
- Enclosure Open, Dripproof
- Mounting Rigid base - horizontal foot mounted
- Insulation Class F, 100% solids varnish, epoxy overcoat
- Bearings Double shielded ball bearings
- Shaft Dimension NEMA Standard
- Shaft Material Hot rolled steel
- Grease Polyrex EM
- Windings All copper

- Hardware Corrosion resistant
- Nameplate Stainless steel
- Standard Ambient 40°C
- Standard Altitude 3300 ft.

OPTIONS

- Special shaft dimensions
- C-Flange, D-Flange, Vertical Mounting
- Single phase designs up to 10kW
- Space heaters
- SAE close coupled
- Premium efficiency
- Thermal protection
- Belt Drive
- TEFC (254-510 Double Bearing)
- Encoder options

Modification Section: Induction Generators

All prices shown are list prices

2 Bearing Induction Generator Options

	Frame								
	254-256	284-286	324-326	364-365	404-405	444-445	447-449	505-510	
Bearings									
Insulated Bearings**	\$1,628	\$1,751	\$1,751	\$1,849	\$1,890	\$2,003	\$2,003	\$2,003	
Mounting									
"C" Face- (Non-explosion Proof)	\$211	\$308	\$354	\$354	\$354	\$354	\$354	\$354	
"C" Face- (Explosion Proof)	\$349	\$514	\$693	\$693	\$693	\$693	\$693	\$693	
"D" Face-	\$180	\$257	\$436	\$436	NA	NA	NA	NA	
Construction									
TEFC-(Totally Enclosed Fan Cooled) In some cases the frame may be one larger	1.25	1.25	1.25	1.25	1.25	1.25	1.25	NA	Multiplier
Premium Efficiency (1-2% improvement)	1.12	1.12	1.12	1.12	1.12	1.12	1.12	1.12	Multiplier
Shaft Modifications									
Drill & Tap Hole- Shaft End	\$339	\$339	\$488	\$539	\$611	\$770	\$770	\$770	
Mill Flat on shaft	\$267	\$267	\$308	\$308	\$375	\$375	\$375	\$375	
"Step" machined shaft	\$385	\$462	\$539	\$616	\$693	\$770	\$847	\$847	
Spline	\$1,279	\$1,279	\$1,489	NA	NA	NA	NA	NA	
Space Heaters									
Non-explosion Proof*	\$503	\$503	\$503	\$703	\$703	\$703	\$703	\$703	
Explosion Proof	\$703	\$703	\$703	\$852	\$852	\$852	\$852	\$852	
Thermal Protection									
Winding RTD's - 100 Ohm Plat (ALL)*	\$426	\$426	\$426	\$611	\$611	\$611	\$611	\$611	
Bearing RTD's - 100 Ohm Plat **	\$426	\$426	\$426	\$611	\$611	\$611	\$611	\$611	
Encoder									
ODP/TENV 5/8" Bore									
Dynapar 1024	\$714	NA	NA	NA	NA	NA	NA	NA	
EPC 260 2048	\$714	NA	NA	NA	NA	NA	NA	NA	
TEFC 1" Bore									
Dynapar HS35R 1024	\$1,540	\$1,540	\$1,540	\$1,540	\$1,540	\$1,540	\$1,540	\$1,540	
Dynapar HS35R 2048	\$1,540	\$1,540	\$1,540	\$1,540	\$1,540	\$1,540	\$1,540	\$1,540	

* Option applies to 4 Pole Single Bearing Dripproof Induction Generators
 ** Option for single bearing .5 multiplier to be applied

430 thru 570 frame Single bearing generator options similar to standard MAGNPLUS® & MAGNAMAX® options for, Drip covers, Thermal Protection, SAE adaption. See modification section (page 60-64).

60
Hertz

**4-Pole
Three Phase**

**DRILL RIG DUTY
GENERATORS®**

1800 RPM
NEMA Class H Insulation
40°C Ambient
DVR®2000E+ AVR with PMG

MAGNAMAX^{DVR}

480Y/277 Volts (4 Leads)

Base Model	Net Wt. (lbs.)	No. of Leads	kW Rating		List Price
			NEMA B 80°C R/R		
			0.7 P.F. Lagging	0.8 P.F. Lagging	
573FSL4202	3400	4 Bar	400	450	\$34,918
574FSL4204	3650	4 Bar	500	570	\$38,584
742FSL4208	5900	4 Bar	700	800	\$47,478
743FSL4210	6500	4 Bar	800	900	\$52,064
743FSL4212	6900	4 Bar	910	1025	\$55,129
744FSL4214	7300	4 Bar	1000	1140	\$61,250
744FSL4216	8300	4 Bar	1200	1375	\$67,376
744FSL4218	8900	4 Bar	1300	1500	\$86,155

MAGNAMAX^{DVR}

600Y/346 Volts (4 Leads)

Base Model	Net Wt. (lbs.)	No. of Leads	kW Rating		List Price
			NEMA B 80°C R/R		
			0.7 P.F. Lagging	0.8 P.F. Lagging	
573FSS4224	3400	4 Bar	400	450	\$37,367
574FSS4226	3650	4 Bar	520	600	\$41,034
742FSS4230	5900	4 Bar	700	800	\$50,528
743FSS4232	6500	4 Bar	800	900	\$55,129
743FSS4234	6900	4 Bar	900	1025	\$59,725
744FSS4236	7300	4 Bar	1000	1140	\$65,851
744FSS4238	8300	4 Bar	1200	1375	\$73,513
744FSS4240	8600	4 Bar	1250	1425	\$83,331

① Models include VPI insulation, form wound coil construction, PMG excitation support, IP22 dripcover, and space heaters as standard equipment. All models are specially designed to accept heavy SCR (Thyristor) loading. Notes A, B, C, D, E, and F on page 64 apply to this page.

60
Hertz

50
Hertz

**4-Pole
Three Phase**

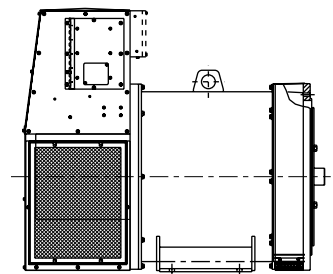
**CRANE DUTY
GENERATORS**

Marathon Crane Duty AC generators are designed for Rubber Tired Gantry Cranes or other mobile/stationary crane applications.

MAGNAMAX^{DVR}

STANDARD FEATURES:

- Form wound main stator coils with special VPI insulation system.
- Epoxy overcoat for humid and salt air environments.
- Intake air filters with pressure shut-off switches.
- IP23 weather protected enclosures and space heaters.
- Heavy duty ball bearings with a B-10 life of 40,000 hours.
- Low sub-transient (X"d) reactance and low voltage dip.
- PMG excitation support system and three phase, true RMS sensing voltage regulator.
- Single or optional two bearing close-coupled engine mounting.



Ratings for all units on this page are very application specific and require an application review for proper sizing. Please contact factory for application assistance.

marathon[™]
Generators

ATEX Zone 2
CSA Class 1, Div 2 for
application in the oil and
gas industries, including
off-shore platforms.

HYDRAULIC
MAGNAPLUS®

4-Pole

60
Hertz

Three Phase, 12 Leads, 0.8 Power Factor

Base Model	kW Continuous Duty				List Price
	Class B 80°C R/R		Class F 105°C R/R		
	240Y	208Y	240Y	208Y	
282PDL1704	12.5	12.5	15	15	\$5,376
282PDL1705	17	17	20	20	\$5,613
283PDL1706	22	21	25	23	\$5,993
283PDL1707	25	24	30	28	\$6,296
284PDL1708	30	30	32	32	\$6,675
284PDL1742	32	32	34*	34*	\$6,840

NOTE: 12 lead generators can be reconnected for single phase service.
Consult Marathon for ratings.

Dedicated Single Phase, 4 Leads,
120 Volt or 120/240 Volt

Base Model	kW Continuous Duty				List Price
	Class B 80°C R/R		Class F 105°C R/R		
	0.8 P.F.	1.0 P.F.	0.8 P.F.	1.0 P.F.	
282PDL1715	10	14	11	16	\$5,540
282PDL1716	12	17	14	19	\$5,915
283PDL1717	15	20	17	24	\$6,331
283PDL1718	17	25	20	28	\$6,639
284PDL1750	23	32	26	34*	\$7,204

* All models listed can be adapted to direct couple to a hydraulic motor, but can not be rated higher than 34 kW due to the limitations of the mechanical coupling.

FEATURES:

- ATEX Zone 2, II 3 G Ex nA IIC T3
- CSA Class I, Div 2, Groups A, B, C, & D, Temp Code T3 (200°C)
- Generators equipped with space heaters will be Temp Code T2b (260°C)
- Polybutadiene coated windings for use in harsh industrial or environmental applications
- 1800 RPM, 40°C Ambient
- Integral hydraulic adaption: SAE A, B or C
- .88"-13T or 1.25"-14T Splined Shaft

1800 RPM
NEMA Class H Insulation
40°C Ambient
0.8 Power Factor Lagging

480Y Volts and
208Y Volts, Available
Simultaneously

Dual Voltage
Three Phase

60
Hertz

MAGNAPLUS® (Shunt Non-PMG) Excitation, Bolt-on PMG Option Available

Base Model	No. of Leads	Voltages①	Std. AVR	Continuous kW Rating @ Designated NEMA Rise		List Price
				NEMA F 105°C R/R ③	NEMA H 125°C R/R	
361PSL1652	7	480Y & 208Y	SE350E	50	55	\$6,275
363PSL1651	7	480Y & 208Y	SE350E	75	80	\$8,185
431PSL7001	7	480Y & 208Y	SE350E	125	135	\$11,097
432PSL7000	7	480Y & 208Y	SE350E	185	195	\$13,854
433PSL7002	7	480Y & 208Y	SE350E	225	240	\$16,381

MAGNAMAX^{DVR}® PMG Excitation

572RSL7002	7	480Y & 208Y	DVR*2000E+	300	325	\$20,674
572RSL7000	7	480Y & 208Y	DVR*2000E+	350	375	\$22,964
572RSL7001	7	480Y & 208Y	DVR*2000E+	375	400	\$24,196
574RSL7003	7	480Y & 208Y	DVR*2000E+	500	525	\$32,161

- ① 120 volts single phase available line to neutral on 208Y volts winding.
② Dual voltage models are not reconnectable.
③ Total load (kW @ 480V + kW @ 208V) must not exceed ratings published above.

60 Hertz

4-Pole Three Phase

HARSH DUTY INDUSTRIAL RATINGS

NEMA Class H Insulation
0.8 Power Factor Lagging
40° Ambient

FEATURES:

- Reinforced windings with multiple D/B cycles on main stator to handle dust-laden and/or harsh industrial applications.
- Heavy duty rectifier assembly designed to handle extreme voltage transient surges and over-current situations.
- Wrapped and polybutadiene coated exciter stator for maximum environmental protection.

240Y or 480Y, 1800 RPM, 60Hz

Base Model	Net Wt. (lbs.)	No. of Leads	Regulator	PMG Available	kW Ratings @ Designated NEMA Rise					List Price
					Continuous			Standby		
					NEMA B 80°C R/R	NEMA F 105°C R/R	NEMA H 125°C R/R	NEMA F 130°C R/R	NEMA H 150°C R/R	
281PSL28040	225	12	SE350E	Yes	8.8	10	11	11	12	\$3,764
282PSL28041	240	12	SE350E	Yes	11.5	13.5	14.5	15	15.5	\$3,913
282PSL28042	270	12	SE350E	Yes	12.5	15	16.5	16.5	17.5	\$4,067
282PSL28043	295	12	SE350E	Yes	17	20	21	21	22	\$4,303
283PSL28044	336	12	SE350E	Yes	22	25	27	27	29	\$4,683
283PSL28045	366	12	SE350E	Yes	25	30	33	33	35	\$4,986
284PSL28046	405	12	SE350E	Yes	30	32	35	35	40	\$5,366
284PSL28047	436	12	SE350E	Yes	32	36	40	40	45	\$5,530
285PSL28048	480	12	SE350E	Yes	38	43	45	45	50	\$5,445
286PSL28049	600	12	SE350E	Yes	44	52	58	58	62	\$5,815
287PSL28050	670	12	SE350E	Yes	50	58	62	62	67	\$6,495
361PSL3120	518	12	SE350E	Yes	40	45	48	48	50	\$5,592
361PSL3121	569	12	SE350E	Yes	49	55	60	60	65	\$5,972
361PSL3122	620	12	SE350E	Yes	58	65	70	70	76	\$6,670
362PSL3124	706	12	SE350E	Yes	75	84	90	90	95	\$7,117
362PSL3126	796	12	SE350E	Yes	80	96	105	105	113	\$8,052
363PSL3127	943	12	SE350E	Yes	110	125	135	135	150	\$8,575
431PSL6252	1220	12	SE350E	Yes	125	142	151	155	160	\$9,726
431PSL6254	1310	12	SE350E	Yes	143	170	180	181	190	\$10,563
431PSL6256	1415	12	SE350E	Yes	165	200	211	215	225	\$11,559
431PSL6258	1455	12	SE350E	Yes	180	211	226	230	240	\$12,180
432PSL6260	1685	12	SE350E	Yes	220	260	275	280	291	\$12,789
432PSL6262	1760	12	SE350E	Yes	230	275	300	300	310	\$14,316
433PSL6266	2235	12	SE350E	Yes	280	342	375	380	400	\$15,929
433PSL6270	2245	12	SE350E	Yes	310	375	403	415	430	\$16,838
572RSL6325	2730	12	DVR2000E+	Std	380	450	475	475	505	\$19,749
572RSL6327	2840	12	DVR2000E+	Std	440	500	515	515	560	\$20,068
572RSL6329	3050	12	DVR2000E+	Std	445	535	560	560	610	\$22,204
572RSL6331	3110	12	DVR2000E+	Std	485	575	600	600	645	\$22,979
573RSL6333	3400	12	DVR2000E+	Std	570	680	700	700	765	\$26,646
573RSL6335	3620	12	DVR2000E+	Std	585	710	750	750	810	\$28,941
574RSL6337	4080	12	DVR2000E+	Std	670	800	825	825	900	\$30,789

① All MAGNAPLUS® variants include Linkboard as standard.
Notes A, B, C, D, E, and F on page 64 apply to this page.

NEMA Class H Insulation
0.8 Power Factor Lagging
40° Ambient

HARSH DUTY INDUSTRIAL RATINGS

4-Pole
Three Phase

50
Hertz

FEATURES:

- Reinforced windings with multiple D/B cycles on main stator to handle dust-laden and/or harsh industrial applications.
- Heavy duty rectifier assembly designed to handle extreme voltage transient surges and over-current situations.
- Wrapped and polybutadiene coated exciter stator for maximum environmental protection.

200Y or 400Y, 1500 RPM, 50Hz

Base Model	Net Wt. (lbs.)	No. of Leads	Regulator	PMG Available	NEMA F Cont. 105°C R/R		NEMA H Cont. 125°C R/R		NEMA H Standby 150°C R/R		List Price
					kVA	kW	kVA	kW	kVA	kW	
281PSL28040	225	12	SE350E	Yes	9.8	7.8	10.4	8.3	11.1	8.9	\$3,764
282PSL28041	240	12	SE350E	Yes	12.5	10	13.8	11	15	12	\$3,913
282PSL28042	270	12	SE350E	Yes	13.8	11	15	12	16.3	13	\$4,067
282PSL28043	295	12	SE350E	Yes	17.5	14	20	16	21.3	17	\$4,303
283PSL28044	336	12	SE350E	Yes	23	19	26	21	27	22	\$4,683
283PSL28045	366	12	SE350E	Yes	26	21	30	24	32	26	\$4,986
284PSL28046	405	12	SE350E	Yes	30	24	33	27	36	29	\$5,366
284PSL28047	436	12	SE350E	Yes	33	27	38	31	41	33	\$5,530
285PSL28048	480	12	SE350E	Yes	40	32	43	35	47	38	\$5,445
286PSL28049	600	12	SE350E	Yes	50	40	55	44	58	47	\$5,815
287PSL28050	670	12	SE350E	Yes	53	43	60	48	62	50	\$6,495
361PSL3120	518	12	SE350E	Yes	44	36	48	38	51	41	\$5,592
361PSL3121	569	12	SE350E	Yes	52	42	57	46	61	49	\$5,972
361PSL3122	620	12	SE350E	Yes	63	50	68	54	75	60	\$6,670
362PSL3124	706	12	SE350E	Yes	81	65	88	70	94	75	\$7,117
362PSL3126	796	12	SE350E	Yes	94	75	100	80	110	88	\$8,052
363PSL3127	943	12	SE350E	Yes	113	90	130	104	133	106	\$8,575
431PSL6252	1220	12	SE350E	Yes	141	113	150	120	160	128	\$9,726
431PSL6254	1310	12	SE350E	Yes	165	132	175	140	185	148	\$10,563
431PSL6256	1415	12	SE350E	Yes	193	154	206	165	220	176	\$11,559
431PSL6258	1455	12	SE350E	Yes	210	168	225	180	235	188	\$12,180
432PSL6260	1685	12	SE350E	Yes	251	201	270	216	285	228	\$12,789
432PSL6262	1760	12	SE350E	Yes	271	217	300	240	306	245	\$14,316
433PSL6266	2235	12	SE350E	Yes	331	265	360	288	385	308	\$15,929
433PSL6270	2245	12	SE350E	Yes	368	294	400	320	420	336	\$16,838
572RSL6325	2730	12	DVR2000E+	Std	450	360	475	380	506	405	\$19,749
572RSL6327	2840	12	DVR2000E+	Std	494	395	519	415	550	440	\$20,068
572RSL6329	3050	12	DVR2000E+	Std	531	425	569	455	600	480	\$22,204
572RSL6331	3110	12	DVR2000E+	Std	563	450	600	480	638	510	\$22,979
573RSL6333	3400	12	DVR2000E+	Std	688	550	725	580	763	610	\$26,646
573RSL6335	3620	12	DVR2000E+	Std	706	565	750	600	794	635	\$28,941
574RSL6337	4080	12	DVR2000E+	Std	794	635	850	680	894	715	\$30,789

① All MAGNAPLUS® variants include Linkboard as standard.
Notes A, B, C, D, E, and F on page 64 apply to this page.

60 Hertz

4-Pole Three Phase



NEMA Class H Insulation
0.8 Power Factor Lagging

FEATURES:

- Reinforced windings with multiple D/B cycles on main stator to handle high moisture salt-laden marine applications.
- Heavy duty rectifier assembly designed to handle extreme voltage transient surges and over-current situations.
- Wrapped and polybutadiene coated exciter stator for maximum environmental protection.

1800 RPM, 60Hz

	Base Model	Net Wt. (lbs.)	No. of Leads	Regulator	PMG Available	kW Ratings @ 50°C Ambient, Cont.			kW Ratings @ 40°C Ambient, Cont.			List Price
						208Y - 240D 95°C R/R	450Y 95°C R/R	480Y 95°C R/R	208Y - 240D 80°C R/R	450Y 80°C R/R	480Y 80°C R/R	
EXPANDED	281PSL28040	225	12	SE350E	Yes	10.5	9.5	9.3	10	9.3	8.8	\$3,764
	282PSL28041	240	12	SE350E	Yes	11.3	12	12	11	11.5	11.5	\$3,913
	282PSL28042	270	12	SE350E	Yes	13	13	13	12.5	12.5	12.5	\$4,067
	282PSL28043	295	12	SE350E	Yes	17.5	17.5	17.5	17	17	17	\$4,303
	283PSL28044	336	12	SE350E	Yes	22	22	23	21	21	22	\$4,683
	283PSL28045	366	12	SE350E	Yes	25	25	26	24	24	25	\$4,986
	284PSL28046	405	12	SE350E	Yes	31	31	31	30	30	30	\$5,366
	284PSL28047	436	12	SE350E	Yes	33	33	33	32	32	32	\$5,530
	285PSL28048	480	12	SE350E	Yes	37	38	40	36	37	38	\$5,445
	286PSL28049	600	12	SE350E	Yes	44	44	46	42	43	44	\$5,815
	287PSL28050	670	12	SE350E	Yes	50	51	52	48	49	50	\$6,495
	361PSL3120	518	12	SE350E	Yes	37	40	41	35	37	40	\$5,592
	361PSL3121	569	12	SE350E	Yes	46	48	50	45	48	49	\$5,972
	361PSL3122	620	12	SE350E	Yes	55	58	60	53	55	58	\$6,670
	362PSL3124	706	12	SE350E	Yes	67	70	77	65	68	75	\$7,117
	362PSL3126	796	12	SE350E	Yes	82	83	83	80	80	80	\$8,052
	363PSL3127	943	12	SE350E	Yes	105	110	115	100	105	110	\$8,575
	431PSL6252	1220	12	SE350E	Yes	133	135	135	125	125	125	\$9,726
	431PSL6254	1310	12	SE350E	Yes	156	160	160	142	143	143	\$10,563
	431PSL6256	1415	12	SE350E	Yes	183	190	186	170	170	165	\$11,559
	431PSL6258	1455	12	SE350E	Yes	195	198	200	176	180	180	\$12,180
	432PSL6260	1685	12	SE350E	Yes	245	245	245	220	220	220	\$12,789
	432PSL6262	1760	12	SE350E	Yes	245	255	260	225	227	230	\$14,316
	433PSL6266	2235	12	SE350E	Yes	325	325	321	290	285	280	\$15,929
	433PSL6270	2245	12	SE350E	Yes	345	355	352	315	315	310	\$16,838
	572RSL6325	2730	12	DVR2000E+	Std	400	430	430	385	400	380	\$19,749
	572RSL6327	2840	12	DVR2000E+	Std	415	440	475	400	417	440	\$20,068
	572RSL6329	3050	12	DVR2000E+	Std	470	505	505	450	475	445	\$22,204
572RSL6331	3110	12	DVR2000E+	Std	470	500	515	460	487	485	\$22,979	
573RSL6333	3400	12	DVR2000E+	Std	610	645	645	570	595	570	\$26,646	
573RSL6335	3620	12	DVR2000E+	Std	625	652	670	590	617	585	\$28,941	
574RSL6337	4080	12	DVR2000E+	Std	655	690	700	630	667	670	\$30,789	

① All 360 and 430 frame Mariner Models have linkboard as standard
Notes A, B, C, D, E, and F on page 64 apply to this page.

FEATURES:

- Reinforced windings with multiple D/B cycles on main stator to handle high moisture salt-laden marine applications.
- Heavy duty rectifier assembly designed to handle extreme voltage transient surges and over-current situations.
- Wrapped and polybutadiene coated exciter stator for maximum environmental protection.

1500 RPM, 50Hz

Base Model	Net Wt. (lbs.)	No. of Leads	Regulator	PMG Available	kVA Ratings @ 50°C Ambient, Cont.						List Price
					220Y 95°C R/R	220Y 110°C R/R	380Y 95°C R/R	380Y 110°C R/R	400Y 95°C R/R	400Y 110°C R/R	
281PSL28040	225	12	SE350E	Yes	6	7.9	9.8	11.6	8.6	10.8	\$3,764
282PSL28041	240	12	SE350E	Yes	7.8	10.8	10.8	13	11.3	13.5	\$3,913
282PSL28042	270	12	SE350E	Yes	8.1	11	13.1	14.4	12.2	14.8	\$4,067
282PSL28043	295	12	SE350E	Yes	12	13.5	16.9	19.8	15.6	18.5	\$43,303
283PSL28044	336	12	SE350E	Yes	15.6	18.5	21	26	20	24	\$4,683
283PSL28045	366	12	SE350E	Yes	20	23	23	28	23	28	\$4,986
284PSL28046	405	12	SE350E	Yes	20	24	30	33	27	31	\$5,366
284PSL28047	436	12	SE350E	Yes	25	29	31	37	30	35	\$5,530
285PSL28048	480	12	SE350E	Yes	30	32	37	43	36	41	\$5,445
286PSL28049	600	12	SE350E	Yes	40	46	42	51	42	51	\$5,815
287PSL28050	670	12	SE350E	Yes	42	48	47	55	47	55	\$6,495
361PSL3120	518	12	SE350E	Yes	38	40	40	44	41	45	\$5,592
361PSL3121	569	12	SE350E	Yes	43	45	50	53	50	52	\$5,972
361PSL3122	620	12	SE350E	Yes	45	51	60	65	56	62	\$6,670
362PSL3124	706	12	SE350E	Yes	65	75	75	80	73	81	\$7,117
362PSL3126	796	12	SE350E	Yes	73	81	82	94	81	94	\$8,052
363PSL3127	943	12	SE350E	Yes	90	101	100	113	100	113	\$8,575
431PSL6252	1220	12	SE350E	Yes	121	130	140	143	135	141	\$9,726
431PSL6254	1310	12	SE350E	Yes	143	151	160	166	160	165	\$10,563
431PSL6256	1415	12	SE350E	Yes	150	161	186	200	183	193	\$11,559
431PSL6258	1455	12	SE350E	Yes	183	195	200	210	200	210	\$12,180
432PSL6260	1685	12	SE350E	Yes	191	210	235	256	240	251	\$12,789
432PSL6262	1760	12	SE350E	Yes	245	260	256	270	256	271	\$14,316
433PSL6266	2235	12	SE350E	Yes	241	265	325	245	310	331	\$15,929
433PSL6270	2245	12	SE350E	Yes	285	310	355	375	350	368	\$16,838
572RSL6325	2730	12	DVR2000E+	Std	306	331	438	469	425	450	\$19,749
572RSL6327	2840	12	DVR2000E+	Std	356	363	450	475	463	494	\$20,068
572RSL6329	3050	12	DVR2000E+	Std	331	381	506	550	506	531	\$22,204
572RSL6331	3110	12	DVR2000E+	Std	431	469	513	563	525	563	\$22,979
573RSL6333	3400	12	DVR2000E+	Std	519	556	669	700	656	688	\$26,646
573RSL6335	3620	12	DVR2000E+	Std	469	513	663	738	669	706	\$28,941
574RSL6337	4080	12	DVR2000E+	Std	519	569	700	769	725	794	\$30,789

① All 360 and 430 frame Mariner Models have linkboard as standard
Notes A, B, C, D, E, and F on page 64 apply to this page.

60 Hertz

4-Pole Three Phase

208Y Volts (10-12 Leads)
240Y Volt Delta (12 Leads)
450Y/260 Volts (4-10-12 Leads)
480Y/277 Volts
 (4-10-12 Leads)

1800 RPM
 50°C Ambient
 0.8 Power Factor Lagging
 Dripcover (IP22)
 DVR®2000E+ AVR with PMG

American Bureau of Shipping (ABS) Certified Generators

- Space Heaters standard on 431 and larger frame sizes
- ABS Certified including all Agency Fees
- All generators include PMG excitation support

MAGNAPLUS® ①

Base Model	Net Wt. (lbs.)	Number of Leads	kW Rating @ 0.8 PF Lagging			List Price
			208Y - 240D Cont. 95°C R/R	450Y Cont. 95°C R/R	480Y Cont. 95°C R/R	
363PSL1607	943	12	105	110	115	\$12,920
431PSL6202	1220	12	133	136	135	\$14,619
431PSL6204	1310	12	156	160	160	\$15,456
431PSL6206	1415	12	183	190	186	\$16,453
431PSL6208	1455	12	195	197	200	\$17,064
432PSL6210	1685	12	245	245	245	\$17,670
432PSL6212	1760	12	245	252	260	\$19,200
433PSL6216	2235	12	325	325	321	\$20,802
433PSL6220	2245	12	345	355	352	\$21,731

MAGNAMAX^{DVR}®

431RSL4005	1280	12	127	135	139	\$14,856
431RSL4007	1370	12	142	150	157	\$15,307
432RSL4009	1550	12	179	192	193	\$15,934
432RSL4011	1570	12	198	208	211	\$16,468
432RSL4013	1600	12	209	220	222	\$16,771
432RSL4015	1810	12	252	264	255	\$17,618
432RSL4017	1830	12	262	265	255	\$19,066
433RSL4019	2340	12	310	320	335	\$20,679
433RSL4021	2365	12	330	345	365	\$21,593
572RSL4024	2730	10	Not Normally Used	430	430	\$23,344
572RSL4027	2840	12		440	475	\$23,960
572RSL4028	3050	10		505	505	\$25,803
572RSL4030	3110	10		500	515	\$26,574
573RSL4032	3400	10		645	645	\$30,101
573RSL4034	3620	10		650	670	\$32,386
574RSL4036	4080	10		690	700	\$34,230
574RSL4038	4240	4		720	750	\$35,755
575RSL4044	5000	4 Bars		825	870	\$39,442
741RSL4045	5490	12		880	940	\$43,108
740RSL4046	5200	4 Bars		925	970	\$45,409
742RSL4048	6300	4 Bars		1010	1040	\$49,779
742RSL4050	7230	4 Bars		1175	1220	\$53,902
743RSL4052	7800	4 Bars		1425	1425	\$62,026
744RSL4054	8600	4 Bars		1475	1650	\$66,627
744RSL4056	9740	4 Bars		1790	1800	\$74,278
744RSL4058	9740	4 Bars		1880	1880	\$77,333

- For ABS certification only. For certification by other Marine Classification Societies such as Lloyds, DNV, NKK, etc., contact Marathon for pricing. ABS witness testing may not be required for units rated below 100 kW.
- If space heaters are specified for frames 363 and smaller, see Modification Section for pricing.
- Required information at time of order placement: Vessel Name/Hull Number, shipyard, nameplate ratings, and mounting arrangements.
- Winding RTD's are required on Mobil Offshore Drilling Units (MODU) for units rated 400 kW (500 kVA) and above. See Modification Section for pricing.
- Winding RTD's are required on all units rated 1000 Volts and above. See Modification Section for pricing.

① All MAGNAPLUS® models have linkboard as standard.
 Notes A, B, C, D, E, and F on page 64 apply to this page.

marathon™
Generators

1800 RPM
 50°C Ambient
 0.8 Power Factor Lagging
 Dripcover (IP22)
 DVR®2000E+ AVR with PMG



American Bureau of Shipping (ABS) Certified Generators

- Space Heaters standard on 431 and larger frame sizes
- ABS Certified including all Agency Fees
- All generators include PMG excitation support



Base Model	Net Wt. (lbs.)	No. of Leads	Regulator	kW Ratings @ 50°C Ambient			List Price
				208Y - 240D Cont. 95°C R/R	450Y Cont. 95°C R/R	480Y Cont. 95°C R/R	
363PSL3127	943	12⓪	DVR2000E+	105	110	115	\$13,839
431PSL6252	1220	12⓪	DVR2000E+	133	135	135	\$15,698
431PSL6254	1310	12⓪	DVR2000E+	156	160	160	\$16,524
431PSL6256	1415	12⓪	DVR2000E+	183	190	186	\$17,510
431PSL6258	1455	12⓪	DVR2000E+	195	198	200	\$18,147
432PSL6260	1685	12⓪	DVR2000E+	245	245	245	\$18,738
432PSL6262	1760	12⓪	DVR2000E+	245	255	260	\$20,263
433PSL6266	2235	12⓪	DVR2000E+	325	325	321	\$21,875
433PSL6270	2245	12⓪	DVR2000E+	345	355	352	\$22,805
572RSL6325	2730	12	DVR2000E+	400	430	430	\$24,889
572RSL6327	2840	12	DVR2000E+	415	440	475	\$25,192
572RSL6329	3050	12	DVR2000E+	470	505	505	\$27,334
572RSL6331	3110	12	DVR2000E+	470	500	515	\$28,109
573RSL6333	3400	12	DVR2000E+	610	645	645	\$31,791
573RSL6335	3620	12	DVR2000E+	625	652	670	\$34,071
574RSL6337	4080	12	DVR2000E+	655	690	700	\$35,930

- For ABS certification only. For certification by other Marine Classification Societies such as Lloyds, DNV, NKK, etc., contact Marathon for pricing. ABS witness testing may not be required for units rated below 100 kW.
- If space heaters are specified for frames 363 and smaller, see Modification Section for pricing.
- Required information at time of order placement: Vessel Name/Hull Number, shipyard, nameplate ratings, and mounting arrangements.
- Winding RTD's are required on Mobil Offshore Drilling Units (MODU) for units rated 400 kW (500 kVA) and above. See Modification Section for pricing.
- Winding RTD's are required on all units rated 1000 Volts and above. See Modification Section for pricing.

① All MAGNAPLUS® models have linkboard as standard.
 Notes A, B, C, D, E, and F on page 64 apply to this page.

Marine Classification Society Requirements for Certification of Shipboard Generators

Subject	American Bureau Of Shipping (ABS)	Lloyd's Register Of Shipping	Germanischer Lloyd's	Korean Register Of Shipping	Nippon Kaiji Kyokai (NKK)	Det Norske Veritas
Minimum Rating Requiring Certification	100 kW	100 kW	50 kW	All Generators	All Generators	100 kW
Ambient Temperature	50° C	45° C	45° C	50° C	50° C	45° C
Temperature Rise	95° C	95° C	90° C	95° C	95° C	95° C
Embedded ④ Temperature Detectors	Required for all units 1 kV and over	Required for propulsion systems only	Not Specified	Not Specified	Not Specified	Required for all units 1000 kW and over
Space Heaters	Required ①	Not Specified ②	Not Specified ②	Not Specified ②	Not Specified ②	Req. for all units
Sustain Short Circuit Current in Percent (%) Rated F.L. Current	300% for 2 Sec.	300% for 2 Sec.	300% for 2 Sec.	300% for 2 Sec.	Not Specified	300% for 2 Sec.
Drip Cover or Minimum Enclosure Required	IP22	IP23	IP22	IP23	IP22	IP23
Fixed Termination of Load Leads ③	Not Specified	Required	Not Specified	Not Specified	Not Specified	Required
Shaft Material Test ④	Not Specified	Required	Required	Required	Not Specified	Required

Notes: ① Required for generators weighing 1000 pounds and over.
 ② Not required by Agency Rules, but strongly advised.
 ③ Generator load leads must be terminated on a fixed terminal such as a bus bar, link board or insulated stand-off.
 ④ Requires generator to be a build-up.
 For generators requiring Certification by Agencies other than those listed in the above table, please consult factory.



Designed for Marine Diesel Electric Propulsion and Ship Service applications.

FEATURES AND BENEFITS:

- 450 kW – 2500 kW w/Engine Specific Power Nodes
- Supports SCR and IGBT Propulsion Systems
- Fully Taped, Form Coil, 100% VPI, 4kV, Class H, Non-hygroscopic Insulation System
- Exciter Assembly Over Dimensioned for Durability
- Hardened Steel Surge Ring with Coil Spacers
- Rotor Design Lowers Rotor Temperatures
- Bolt-in, Replaceable Bearing Well
- Subtransient Reactance of 12% - 14%
- Enclosures: IP23 + SOLAS, and IP54 TEWAC
- Design: IMB20 / IM 1101 raised foot
- Shaft end: Cylindrical shaft suitable for mounting customers coupling
- Three differential CT's mounted on Generator Neutral, 5 amp secondary, C100 class
- Oversized Terminal Box
- Space heater single phase, 120 or 240V
- Marathon DVR®2000E+ AVR, 3 phase sensing with Mil RFI Suppression (supplied loose)
- Manual Voltage Control (supplied loose)
- Cross Current CT (supplied loose)
- Stator RTD's, 2 per phase, 100 ohm Platinum
- Bearing RTD's, 1 per bearing, 100 ohm Platinum
- PMG - 300% short circuit Fault Clearing
- Anti-friction Bearings on DE / NDE, Re-greasable, L10 life of 40,000 hrs
- Marine Certification for ABS/ Coast Guard, DNV, BV, Lloyds
- IP54 TEWAC features:
 - Double Tube Cooler with Leak Detector for 38°C salt water, with 10°C rise
 - Cooling air RTD, 100 ohm platinum
 - Exhaust air RTD, 100 ohm platinum

NEMA Class H Insulation
 40°C Ambient
 0.8 Power Factor Lagging
 DVR®2000E+ AVR w/PMG Excitation

**RAIL DUTY
 GENERATORS**

**4-Pole
 Three Phase**

**50
 Hertz**
**60
 Hertz**

**Head End Power (Constant Speed),
 60 Hz, 1800 RPM, 240/480 V**

Frame	kW @ 105°C R/R
431-433	145-380
572-575	495-975
741-744	1030-1800

**Head End Power (Constant Speed),
 50 Hz, 1500 RPM, 200/400 V**

Frame	kW @ 105°C R/R
431-433	114-300
572-575	360-635
741-744	830-1410

**Propulsion Power (Variable Speed),
 60 Hz, 1800 RPM, 240/480 V**

Frame	Max kW @ 105°C R/R
572-574	up to 975
741-744	up to 1800
1020-1030	up to 3000

**Propulsion Power (Variable Speed),
 60 Hz, 1800 RPM, 600 V**

Frame	Max kW @ 105°C R/R
572-574	up to 840
741-744	up to 1850
1020-1030	up to 2800

Marathon has supplied custom railroad duty generators for more than 30 years.

Marathon’s custom railroad duty generators optimize performance and provide the customer with the expected service life for this stressful application.

Using the customer’s electrical and mechanical requirements, Marathon selects the appropriate materials, designs, and processes to meet the customer’s needs.

The use of special coil designs with random and form wound coils, processed with multi-layered high solids varnishes, epoxy resins, and VPI systems, help resist the rigorous vibrations, longitudinal impacts, high transient voltages and currents, and the aggressive railroad environment. The proprietary insulation process provides the strongest mechanical strength and the best sealing to protect against the moisture and the railroad contaminants found in the railroad application. The final build specification may affect the final output kW.

The generator assembly is finished by providing the best cooling air flow, lead handling, and drive configuration, in one of the shortest configurations in the industry.

Contact us with your railroad requirements and let us build your generator.

60 Hertz

UL2200 Ratings® 4-Pole

**Maximum kW Output
at 27°C ambient and
130°C R/R for UL 2200
Applications**

1800 RPM
NEMA Class H Insulation
Shunt (Non-PMG) Excitation
SE350E AVR

MAGNAPLUS® Standard Models

Base Model	Net Wt. (lbs.)	No. of Leads④	Bolt-on PMG Option Avail.	60 Hz, Three Phase							60 Hz, 1 Phase		List Price
				0.8 PF Lagging							0.8 PF	1.0 PF	
				High Wye Connection					Delta	Low Wye	ZigZag		
				480 V	460 V	440 V	416 V	380 V	240 V	208 V	240 V	240 V	
281CSL1502	220	12	Yes	13	12.5	11.5	11	10	10.5	10.5	7.5	9.5	\$2,835
282PSL1703③	240	12	②	15	15	15	13.5	12.5	13.5	13.5	8.2	11	\$2,983
282CSL1504	250	12	Yes	18	17.5	17.5	17	15.5	17	17	10	13	\$3,137
282CSL1505	275	12	Yes	24	24	23	22	20	22	22	13	17	\$3,374
283CSL1506	310	12	Yes	28	27	27	26	23	26	26	16	20	\$3,754
283CSL1507	350	12	Yes	33	32	31	30	27	30	30	18	25	\$4,057
284CSL1508	405	12	Yes	40	39	39	38	35	38	38	25	31	\$4,437
284CSL1542	420	12	Yes	43	41	41	40	36	40	40	24	32	\$4,601
361CSL1600①	518	12	Yes	48	46	45	42	38	42	42	30	39	\$4,663
361CSL1601①	569	12	Yes	60	60	58	55	50	55	55	35	45	\$5,053
361CSL1602①	620	12	Yes	70	67	68	65	60	65	65	42	55	\$5,741
362CSL1604①	706	12	Yes	90	86	84	80	72	80	80	51	66	\$6,203
362CSL1606①	796	12	Yes	105	105	102	100	90	100	100	60	79	\$7,117
363CSL1607①	943	12	Yes	135	135	130	125	115	125	125	73	97	\$7,656
431CSL6202①	1220	12	Yes	155	155	153	151	140	151	151	96	121	\$8,647
431CSL6204①	1310	12	Yes	181	182	180	176	167	176	176	107	135	\$9,495
431CSL6206①	1415	12	Yes	215	220	220	210	191	210	210	132	166	\$10,501
431CSL6208①	1455	12	Yes	230	230	225	225	207	225	225	132	166	\$11,097
432CSL6210①	1685	12	Yes	280	282	283	280	265	280	280	161	201	\$11,718
432CSL6212①	1760	12	Yes	300	300	290	280	265	280	280	161	201	\$13,253
433CSL6216①	2235	12	Yes	380	380	280	375	357	375	375	193	241	\$14,856
433CSL6220①	2245	12	Yes	415	410	410	400	367	400	400	193	241	\$15,764

MAGNAPLUS® Alternate Models③

281PSL1722	225	12	②	11	11	12	12	11	12	12	7.5	10	\$2,835
282PSL1704	270	12	②	16.5	16.5	16	16	14.5	16	16	10	14	\$3,137
282PSL1705	295	12	②	21	21	20	20	18	20	20	13	17	\$3,374
283PSL1706	336	12	②	27	26	26	25	23	25	25	16	21	\$3,754
283PSL1707	366	12	②	33	32	31	30	27	30	30	18	25	\$4,057
284PSL1708	405	12	Yes	35	35	35	35	32	35	35	20	30	\$4,437
284PSL1742	436	12	Yes	40	40	40	40	37	40	40	25	32	\$4,601
285PSL1700	480	12	Yes	45	45	45	45	41	45	45	28	37	\$4,663
286PSL1701	600	12	Yes	60	58	56	55	50	55	55	32	42	\$5,053
287PSL1702	670	12	Yes	62	61	61	60	55	60	60	36	45	\$5,741

① 361 to 433 PSL (single bearing) or PDL (double bearing) models are the alternate to CSL models and have equivalent performance and dimensions.

② PMG Option available as build-up only.

③ Specialty and two bearing orders utilize these windings in place of 280 frame CSL models.

④ All MAGNAPLUS® models have linkboard as standard.

⑤ This chart depicts a suggested ambient and temperature rise (27°C ambient/130°C rise) that would be in accordance with the UL maximum temperature of 160°C.

Notes A, B, C, D, E, and F on page 64 apply to this page.

1800 RPM
NEMA Class H Insulation
DVR®2000E+ AVR w/PMG Excitation

**Maximum kW Output
at 27°C ambient and
130°C R/R for UL 2200
Applications**

**UL2200
Ratings^①
4-Pole**

**60
Hertz**

MAGNAMAX^{DVR}

Base Model	Net Wt. (lbs.)	No. of Leads	60 Hz, Three Phase							60 Hz, 1 Phase		List Price
			0.8 PF Lagging							0.8 PF	1.0 PF	
			High Wye Connection					Delta	Low Wye	ZigZag		
			480 V	460 V	440 V	416 V	380 V	240 V	208 V	240 V	240 V	
431RSL4005	1280	12	155	153	146	138	122	138	138	88	110	\$9,952
431RSL4007	1370	12	175	174	168	160	136	160	160	103	129	\$10,414
432RSL4009	1550	12	215	215	207	200	170	200	200	129	161	\$11,030
432RSL4011	1570	12	231	235	235	221	190	221	221	127	159	\$11,559
432RSL4013	1600	12	250	245	240	235	200	235	235	123	154	\$11,872
432RSL4015	1810	12	285	290	277	262	240	262	262	147	184	\$12,714
432RSL4017	1830	12	300	291	295	287	255	287	287	158	198	\$14,167
433RSL4019	2340	12	375	370	360	350	305	350	350	180	225	\$15,764
433RSL4021	2365	12	405	400	390	380	315	380	380	185	231	\$16,699
572RSL4024	2730	10	475	485	465	440	400	N/A	440	N/A	N/A	\$18,204
572RSL4025	2730	12	475	485	465	440	400	440	440	209	261	\$18,517
572RSL4027	2840	12	515	515	500	475	405	475	475	227	283	\$18,835
572RSL4028	3050	10	560	585	560	525	470	N/A	525	N/A	N/A	\$20,674
572RSL4029	3050	12	560	585	560	525	470	525	525	246	308	\$20,971
572RSL4030	3110	10	600	610	590	565	485	N/A	565	N/A	N/A	\$21,444
572RSL4031	3110	12	600	610	590	565	485	565	565	264	330	\$21,747
573RSL4032	3400	10	700	730	730	700	595	N/A	700	N/A	N/A	\$24,956
573RSL4033	3400	12	700	730	730	700	595	700	700	308	385	\$25,413
573RSL4034	3620	10	750	785	765	725	625	N/A	725	N/A	N/A	\$27,257
573RSL4035	3620	12	750	785	765	725	625	725	725	330	413	\$27,708
574RSL4036	4080	10	825	845	820	785	670	N/A	785	N/A	N/A	\$29,090
574RSL4037	4080	12	825	845	820	785	670	785	785	363	454	\$29,557
574RSL4038	4240	4	920	910	875	835	705	N/A	N/A	N/A	N/A	\$30,620
575RSL4044	5000	4 Bars	1060	1040	1010	975	830	N/A	N/A	N/A	N/A	\$34,312
741RSL4045	5490	12	1100	1070	1030	1000	840	1000	1000	N/A	N/A	\$37,978
740RSL4046	5200	4 Bars	1220	1190	1160	1110	945	N/A	N/A	N/A	N/A	\$40,279
742RSL4048	6300	4 Bars	1300	1290	1240	1180	1030	N/A	N/A	N/A	N/A	\$44,413
742RSL4049	6300	12	1300	1290	1240	1180	1030	1180	1180	N/A	N/A	\$47,478
742RSL4050	7230	4 Bars	1500	1500	1450	1370	1160	N/A	N/A	N/A	N/A	\$48,546
743RSL4052	7800	4 Bars	1750	1710	1710	1610	1480	N/A	N/A	N/A	N/A	\$56,660
744RSL4054	8600	4 Bars	2000	1990	1920	1840	1590	N/A	N/A	N/A	N/A	\$61,250
744RSL4056	9740	4 Bars	2210	2100	2030	1950	1790	N/A	N/A	N/A	N/A	\$68,907
744RSL4058	9740	4 Bars	2320	2260	2180	2090	1950	N/A	N/A	N/A	N/A	\$71,972

① This chart depicts a suggested ambient and temperature rise (27°C ambient/130°C rise) that would be in accordance with the UL maximum temperature of 160°C. Notes A, B, C, D, E, and F on page 64 apply to this page.



MAGNAMAX^{DVR}
MAGNAPOWER

NEMA Class H Insulation
40°C Ambient
1.0 Power Factor
DVR®2000E+ AVR w/PMG Excitation

kW/kVA Rating @ Designated NEMA Rise 480 V, 1800 RPM, 60 Hz

Frame	NEMA B 80°C R/R	NEMA F 105°C R/R	NEMA H 125°C R/R	Efficiency ^①	List Price
574	700	800	1000	97.0	\$36,746
742	800	1000	1250	97.0	\$57,281
742	1000	1250	1500	97.1	\$58,251
743	1250	1500	1750	97.2	\$67,998
744	1500	1750	2000	97.2	\$73,508
744	1750	2000	2250	97.4	\$86,360
1020	2000	2250	2500	97.2	\$213,688
1020	2250	2500	2800	97.0	\$219,593
1030	2500	2800	3000	97.2	\$234,310
1030	2800	3000	3250	97.3	\$299,181
1030	3000	3250	3500	97.3	\$304,249

kW/kVA Rating @ Designated NEMA Rise 4160 V, 1800 RPM, 60 Hz

Frame	NEMA B 80°C R/R	NEMA F 105°C R/R	NEMA H 125°C R/R	Efficiency ^①	List Price
743	1500	1750	2000	97.0	\$101,062
744	1750	2000	2250	97.1	\$128,637
1020	2000	2250	2500	97.0	\$198,945
1020	2250	2500	2800	97.1	\$202,375
1020	2500	2800	3000	97.2	\$205,806
1020	2800	3000	3250	97.4	\$215,002
1020	3000	3250	3500	97.4	\$229,709

kW/kVA Rating @ Designated NEMA Rise 13200 V, 1800 RPM, 60 Hz

Frame	NEMA B 80°C R/R	NEMA F 105°C R/R	NEMA H 125°C R/R	Efficiency ^①	List Price
1020	1750	2000	N/A	97.0	\$293,111
1020	2000	2250	N/A	97.2	\$298,164
1020	2250	2500	N/A	97.1	\$303,222
1030	2500	2800	N/A	97.1	\$399,513
1030	2800	3000	N/A	97.2	\$406,286
1040	3000	3250	N/A	97.3	\$518,635

kW/kVA Rating @ Designated NEMA Rise, 400V, 1500 RPM, 50 Hz

Frame	NEMA B 80°C R/R	NEMA F 105°C R/R	NEMA H 125°C R/R	Efficiency ^①	List Price
742	650	800	1000	97.2	\$56,316
742	800	1000	1250	97.2	\$57,286
742	1000	1250	1500	97.0	\$58,251
744	1250	1500	1750	97.3	\$73,513
744	1500	1750	2000	97.0	\$86,366
1020	1750	2000	2250	97.1	\$210,129
1020	2000	2250	2500	97.1	\$213,688
1030	2250	2500	2800	97.4	\$255,800
1030	2500	2800	3000	97.4	\$260,206
1030	2800	3000	3250	97.3	\$264,627

kW/kVA Rating @ Designated NEMA Rise, 3300V, 1500 RPM, 50 Hz

Frame	NEMA B 80°C R/R	NEMA F 105°C R/R	NEMA H 125°C R/R	Efficiency ^①	List Price
743	800	1000	1250	97.0	\$92,338
743	1000	1250	1500	97.2	\$93,904
744	1250	1500	1750	97.2	\$128,637
1020	1500	1750	2000	97.1	\$198,945
1020	1750	2000	2250	97.2	\$202,370
1020	2000	2250	2500	97.2	\$205,806
1020	2250	2500	2800	97.4	\$215,002
1020	2500	2800	3000	97.4	\$229,709
1030	2650	3000	3300	97.3	\$290,323

kW/kVA Rating @ Designated NEMA Rise, 11000V, 1500 RPM, 50 Hz

Frame	NEMA B 80°C R/R	NEMA F 105°C R/R	NEMA H 125°C R/R	Efficiency ^①	List Price
1020	1440	1500	N/A	97.0	\$288,058
1020	1500	1750	N/A	97.2	\$293,111
1020	1750	2000	N/A	97.2	\$298,164
1020	2000	2250	N/A	97.0	\$303,222
1040	2250	2500	N/A	97.0	\$501,340
1040	2500	2800	N/A	97.0	\$509,993
1040	2800	3000	N/A	97.2	\$518,635
1040	3000	3250	N/A	97.2	\$567,905

① Efficiency @ 1.0 p.f., 105° C R/R

NEW!

1800 RPM
NEMA Class H Insulation
40°C Ambient
Shunt (Non-PMG) Excitation
SE350E AVR

MAGNASELECT™

**4-Pole
Three Phase**

**60
Hertz**

FEATURES:

- The MAGNAPLUS® Rental Line features modular design rotary cam switches with solid metal shafts for durable, trouble free service.
- Premounted Voltage Change Switch saves assembly time and money.
- A Marathon exclusive for enhanced reliability, all switches are mounted in vibration isolated conduit boxes.
- Silver plated contacts and the high tension springs inside the switch guarantee solid connections under rough conditions.
- Generator output terminals are clearly labeled and mounted on the switch for ease of connection to your distribution system. All switches are UL, CE and UL – Canada rated.

Model ①②	Net Wt. (lbs.)	Maximum Amps ②	Continuous Duty kW Rating @ Designated NEMA Rise									List Price
			480 V 3 Phase 0.8 PF High WYE			240/208 V 3 Phase 0.8 PF ③ Low WYE			240 V Single Phase 1.0 PF Low ZIG ZAG			
			NEMA B 80°C R/R	NEMA F 105°C R/R	NEMA H 125°C R/R	NEMA B 80°C R/R	NEMA F 105°C R/R	NEMA H 125°C R/R	NEMA B 80°C R/R	NEMA F 105°C R/R	NEMA H 125°C R/R	
282PSV28030	315	72	17	20	21	17	20	21	14	16	17.5	\$5,959
283PSV28031	386	104	25	30	33	24	28	30	19	22	25	\$6,642
284PSV28032	456	138	32	36	40	32	36	40	25	30	32	\$7,186
285PSV28033	500	156	38	43	45	36	40	45	30	35	37	\$7,248
361PSV36030	543	145	40	45	48	35	40	42	31	36	38	\$8,192
361PSV36031	594	190	49	55	60	45	50	55	38	42	45	\$8,583
361PSV36032	650	225	58	65	70	53	60	65	45	51	55	\$11,030
362PSV36033	736	277	75	84	90	65	72	80	53	61	66	\$11,492
362PSV36034	826	346	80	96	105	80	90	100	66	76	78	\$12,406
363PSV36035	978	433	110	125	135	100	110	125	80	90	95	\$14,620
431PSV6550	1255	510	125	142	151	125	140	147	96	115	120	\$15,687
431PSV6551	1345	607	143	170	180	142	165	175	106	125	133	\$16,535
431PSV6552	1455	700	165	200	211	170	191	202	131	150	165	\$23,158
431PSV6553	1495	749	180	211	226	176	203	216	131	150	165	\$23,753
432PSV6554	1730	954	220	260	275	220	260	275	156	185	200	\$24,376
432PSV6555	1805	957	230	275	300	225	260	276	156	185	200	\$25,910
433PSV6556	2280	1269	280	342	375	290	343	366	190	220	240	\$27,512
433PSV6557	2295	1335	310	375	403	315	362	385	N/A	N/A	N/A	\$35,398

Notes:

- ① Bolt-on PMG option available on all MAGNASELECT models
 - ② Maximum amperage determined using a parallel low WYE connection operation at 208V, 3Ph.
 - ③ Regulator adjustment required for 208V operation.
 - ④ All MAGNASELECT models rated 40kW or higher are UL listed. Models rated lower than 40 kW are UL recognized.
- Notes A, B, C, D, E, and F on page 64 apply to this page.

Modification Section: Generators

All prices shown are list prices

Modification	Description	List Price	*Build To Order
Adapters	Two bearing close-coupled adapters - 360 frame	\$1,022	*
	- 430 frame	\$1,381	*
	- 570 frame	\$1,849	*
	- 740 frame	\$3,081	*
	One bearing direct couple Lister TR2 & TS2 Engines - 250 LIMA®MAC & 280 fr MAGNAPLUS® only	N/C	*
	Automotive adapters: GM 7.4/5.7 L, 280 & 360 fr MAGNAPLUS®	\$421	
	Automotive adapters: Chrysler 2.8 L	\$421	
	Automotive adapters: GM 8.1 L Turbo, PSI 8.8L, 430 fr MagnaPLUS, SAE #3 Only	\$781	
Automotive adapters: GM Adapter, Lima MAC 360	\$529		
Automotive adapters: GM Adaptor, Lima MAC 440	\$745		
Air Filters	Washable filters and pressure switch - MAGNAMAX ^{DVR} ® (Specify end or side mounted) Catalog ratings must be reduced by 5% for units equipped with filters	\$1,546	
Altitude / Ambient	See Altitude / Ambient Rating Adjustment Chart on Page 72		
Bus Bar Kit	480-600 Volt (4 Bus Bars) - 430 frame - MAGNAMAX ^{DVR} ® models only	\$1,212	*
	480-600 Volt (4 Bus Bars) - 571-574 frame	\$1,607	*
	480-600 Volt (6 Bus Bars) - 571-574 frame	\$2,424	*
	480-600 Volt (4 Bus Bars) - 575; 740-744 frame	standard	
	480-600 Volt (6 Bus Bars) - 740-744 frame (Available on 4 bus bar generators only!)	\$1,279	*
	600 - 6600 Volt (4 Bus Bars) - 573-574 frame	\$1,248	*
	600-6600 Volt (4 Bus Bars) - 741-744 frame	\$1,515	*
	600-6600 Volt (6 Bus Bars) - 741-744 frame	\$2,316	*
Circuit Breakers Two Pole 80% Rated	Mounted and wired in generator connection box. Available with 280, 360 and 440 frame generators only. Not available with Pancake units. ① ②		
	Selection Ampere* 240 Volt 480 Volt		see description
	15 - 35 \$401 \$878		
	36 - 60 \$411 \$878		
	61 - 100 \$467 \$1,037		
	101 - 225 \$637 N/A		
	225 - 400 \$2,295 N/A		
*Selection Amperes are 1.25 times the generator Nameplate Rated Amperes.			
Circuit Breakers Three Pole 80% Rated	Mounted and wired in generator connection box. Available with 280 through 740 frames. Not available with Pancake units.①② 430 frame MAGNAPLUS® units require oversized conduit box.		
	Selection Ampere* 240 Volt 480 Volt 600 Volt		see description
	15 - 35 \$447 \$765 \$1,299		
	36 - 60 \$503 \$765 \$1,299		
	61 - 100 \$534 \$868 \$1,299		
	101 - 225 \$1,135 N/A \$2,162		
	226 - 250 N/A N/A \$2,829		
	251 - 400 \$2,300 N/A \$2,989		
	401 - 600 N/A N/A \$3,836		
	601 - 800 N/A N/A \$4,591		
	801 - 1200 N/A N/A \$9,176 ③		
	1201 - 2000 N/A N/A \$14,280 ③		
	*Selection Amperes are 1.25 times the generator Nameplate Rated Amperes.		
Conduit Box (consult Marathon for optional boxes)	Oversized conduit box - 280 MAGNAPLUS® frames (except 281fr)	\$103	
	Low profile conduit box - 360 MAGNAPLUS® frames	\$103	
	Support bar for circuit breaker extension box - 430 MAGNAPLUS® frames	\$87	
	Oversized conduit box - 430 MAGNAPLUS® frames	\$226	
	M-4 Style Conduit Box (430 fr MagnaMAX)	\$1000	
	M-5 Style Conduit Box (570 fr MagnaMAX)	\$1500	
	Circuit breaker extension box - 570 through 740 frame	\$2,090	

① All designs are intended for bottom entry (right side facing conduit box). Top entry would require the use of customer-provided trough or gutter.

③ Available in 570 and 740 Frame sizes (MAGNAMAX^{DVR}®) and includes box extension.

② The designs are for copper (only) customer conductors, with compression-installed lugs. Stacking type lugs may be required depending upon the number of customer conductors.

* Build-to-Order modifications require normal lead time, and cannot be performed on stock generators. The base model number of generators may change when build-to-order modifications are made.

All prices shown are list prices

Modification Section: Generators

Modification	Description	List Price	*Build To Order
Documentation	If required, two certified copies of production test reports, outline drawings, rotor weight & WK ² drawings and connection diagrams, and service manuals available upon receipt of purchase order.Ⓔ Performance data sheets, obsolete drawings, or drawings and additional technical data that is not available on website, a handling charge will apply. Decrement curves (calculated)	N/C \$134 \$221	
Dripcover	IP22 standards - Standard on all LIMA®MAC IP22 standards - 280 to 740 frame (MAGNAPLUS® 360 frame series with SAE #1 flywheel housing adaptor must use IP23 drip cover, see below) IP23 standards - 280 frame (all), 360 MAGNAPLUS®, 430 frame (all) IP23 standards - 570 frame IP23 standards - 740 frame	N/C \$113 \$359 \$426 \$508	
Export Packaging	250, 280, & 330 frames 360 frame 430 & 440 frames 570 & 580 frames 741 & 742 frames 743 & 744 frames 1000 frame	\$277 \$339 \$467 \$596 \$734 \$863 \$976	
Foot Options	MAGNAPLUS®, low rise feet on 360 & 430 frames MAGNAMAX ^{DVR®} , CAT® feet on 430 frames MAGNAMAX ^{DVR®} , CAT® feet on 570 frames MAGNAMAX ^{DVR®} , CAT® feet on 740 frames Consult factory for additional options	\$637 \$637 \$791 \$1,191	* * * *
Hazardous Duty	CSA Certified for Class I, Group A, B, C, D, Div. 2 / Zone 2 Group IIA, IIB, IIC; Temperature Code T3. Generator must be selected at 80°C rise or 105°C rise. Generators equipped with space heaters will be temperature code T2B. Regulator shipped loose for remote mounting. 280-430 frame 570 frame 740 frame	\$693 \$1,155 \$1,541	
Hydraulic Drive	281-284 frame MAGNAPLUS® - Standard SAE A, B, or C mounting flange with 13 tooth (0.88"-13T) or 14 tooth (1.25"-14T) internal splined shaft.	\$1,304	*
Instrument Panel 4-Lead Single Phase Generators	Meter panel with voltmeter, ammeter and frequency meter and selector switch including current transformers. (MAGNAPLUS® frames 280, 360 and 430 only) Panel not suited for 120 V only applications.	\$1,248	*
Instrument Panel Three Phase Generators	Meter panel with voltmeter, ammeter and frequency meter and selector switch including current transformers (not available on MAGNAMAX ^{DVR®}) 480 volts and lower	\$1,248	*
Pilot Shaft (for use with CAT® Engine)	Pilot diameters (3.148", 3.935", 4.723", and 5.116") Not available on 280-430 frame models	\$668	
PMG Excitation MAGNAPLUS® Units	Permanent Magnet Generator & PM300E Regulator Permanent Magnet Generator & PM500 Regulator Permanent Magnet Generator & DVR®2000E+ Regulator (280 Frame requires the oversized conduit box with the PM500 & DVR®2000E+)	\$579 \$791 \$1,062	

Ⓔ Please allow five to ten business days from P.O. receipt date for drawing delivery. Production test reports are not available until after generator shipment.

* Build-to-Order modifications require normal lead time and cannot be performed on stock generators. The base model number of generators may change when build-to-order modifications are made.

CAT® is a registered trademark of Caterpillar Inc.

Modification Section: Generators

All prices shown are list prices

Modification	Description	List Price	*Build To Order																																																		
Space Heaters 240/120 Volt	250 & 280 frame - LIMA®MAC (250: 125 watt; 280: 150 watt) 280 & 360 frame - MAGNAPLUS® (280: 84 watt; 360: 250 watt) 360 & 440 frame - LIMA®MAC & 6 Pole SER® (360: 250 watt; 440: 350 watt) 430 & 570 frame - MAGNAMAX ^{DVR} ® and MAGNAPLUS® (430: 250 watt; 570: 500 watt) 580 frame - LIMA®MAC only. (500 watt) 680 frame - LIMA®MAC only. (500 watt) 740 frame - MAGNAMAX ^{DVR} ® (1000 watt) 1000 frame - MAGNAPOWER® (1250 watt)	\$267 \$359 \$334 \$539 \$539 \$683 \$960 \$1,068	* *																																																		
Special Insulation	Tropical insulation (epoxy overcoat) on MAGNAMAX ^{DVR} ®, MAGNAPLUS® and LIMA®MAC MAGNAPLUS® & MAGNAMAX^{DVR}® Harsh Duty Generators: Special insulation system consisting of extra lacing and multiple dips and bakes of 100% solids varnish, wrapped and Polybutadiene coated exciter stators, see pages 48-51. All Others <table border="1"> <thead> <tr> <th></th> <th>Harsh Duty</th> <th>VPI Main Str</th> <th>VPI Ex Str</th> <th>Toroidally Wrap Ex Str</th> <th>VPI Ex Rtr</th> <th>VPI PMG Str</th> </tr> </thead> <tbody> <tr> <td>250, 280</td> <td>\$462</td> <td>\$1,232</td> <td>n/a</td> <td>n/a</td> <td>n/a</td> <td>n/a</td> </tr> <tr> <td>360</td> <td>\$919</td> <td>\$1,541</td> <td>n/a</td> <td>n/a</td> <td>n/a</td> <td>n/a</td> </tr> <tr> <td>430</td> <td>\$1,073</td> <td>\$1,838</td> <td>\$390</td> <td>n/a</td> <td>n/a</td> <td>n/a</td> </tr> <tr> <td>430 MAGNAMAX^{DVR}®</td> <td>\$1,073</td> <td>\$1,838</td> <td>\$390</td> <td>\$334</td> <td>\$390</td> <td>\$205</td> </tr> <tr> <td>570 MAGNAMAX^{DVR}®</td> <td>\$1,232</td> <td>\$2,768</td> <td>\$390</td> <td>\$334</td> <td>\$390</td> <td>\$205</td> </tr> <tr> <td>740 MAGNAMAX^{DVR}®</td> <td>\$1,438</td> <td>\$4,442</td> <td>\$390</td> <td>\$334</td> <td>\$390</td> <td>\$205</td> </tr> </tbody> </table> Fungus proofing overcoat for additional moisture protection during extended storage or transport prior to first startup of generator. 250, 280, 360, 430 & 440 frame 570 & 580 frame 680 & 740 frame 1000 frame		Harsh Duty	VPI Main Str	VPI Ex Str	Toroidally Wrap Ex Str	VPI Ex Rtr	VPI PMG Str	250, 280	\$462	\$1,232	n/a	n/a	n/a	n/a	360	\$919	\$1,541	n/a	n/a	n/a	n/a	430	\$1,073	\$1,838	\$390	n/a	n/a	n/a	430 MAGNAMAX ^{DVR} ®	\$1,073	\$1,838	\$390	\$334	\$390	\$205	570 MAGNAMAX ^{DVR} ®	\$1,232	\$2,768	\$390	\$334	\$390	\$205	740 MAGNAMAX ^{DVR} ®	\$1,438	\$4,442	\$390	\$334	\$390	\$205	standard standard on Harsh Duty see description	* \$349 \$565 \$739 \$1,469	* * * * *
	Harsh Duty	VPI Main Str	VPI Ex Str	Toroidally Wrap Ex Str	VPI Ex Rtr	VPI PMG Str																																															
250, 280	\$462	\$1,232	n/a	n/a	n/a	n/a																																															
360	\$919	\$1,541	n/a	n/a	n/a	n/a																																															
430	\$1,073	\$1,838	\$390	n/a	n/a	n/a																																															
430 MAGNAMAX ^{DVR} ®	\$1,073	\$1,838	\$390	\$334	\$390	\$205																																															
570 MAGNAMAX ^{DVR} ®	\$1,232	\$2,768	\$390	\$334	\$390	\$205																																															
740 MAGNAMAX ^{DVR} ®	\$1,438	\$4,442	\$390	\$334	\$390	\$205																																															
Special Painting	MAGNAPLUS®, 280 - 430 frames MAGNAMAX ^{DVR} ®, 430 frames MAGNAMAX ^{DVR} ®, 570 frames MAGNAMAX ^{DVR} ®, 740 frames Consult factory for available finishes	\$175 \$411 \$514 \$770	* * * *																																																		
Special Windings	Special windings are available for MAGNAPLUS® and MAGNAMAX ^{DVR} ® products. Consult factory for ratings and pricing.	consult factory																																																			
Linkboard/Standoff Assembly	For terminating generator leads in low or high wye connections 430 frame MAGNAMAX ^{DVR} ® - 12 post linkboard 430 & 570 frame MAGNAMAX ^{DVR} ® - 8-post standoff assembly	\$359 \$626																																																			
Temperature Detectors	Consult factory for possible RTD generator rating adjustment Winding RTDs, (2 per phase) 100 ohm platinum standard, others optional. Thermocouples, Iron Constantine, Type J Thermostats, specify normally open or normally closed Thermistors (1 per phase) must specify operating temperature Bearing RTD, 100 ohm platinum standard, others optional - MAGNAMAX ^{DVR} ® only.	\$1,689 \$765 \$765 \$765 \$1,135	* * * * *																																																		
Two Bearing	MAGNAPLUS®, MAGNAMAX ^{DVR} ®, and LIMA®MAC generators are available in two bearing at same list price as single bearing. Generator shaft coupling not included.	N/C																																																			
1000 Frame	1000 frame medium voltage (to 6600 V) and high voltage (to 13800 V) modifications are order specific. Consult factory with your requirements.																																																				

* Build-to-Order modifications require normal lead time and cannot be performed on stock generators. The base model number of generators may change when build-to-order modifications are made.

Modification Section: Voltage Regulators & Accessories

All prices shown are list prices

Modification	Description	List Price	*Build To Order
Current Transformers	<p>MAGNAMAX® and MAGNAPLUS® generators only: Paralleling CT: Requires (1) per generator. Marathon will size the primary current at 1.25 times the generator nameplate rating with a 5 amp secondary current.</p> <p>MAGNAMAX® generators only: Metering CT: Requires (3) per generator. Must specify required ratio; otherwise Marathon will size the primary current at 1.25 times the generator nameplate rating with a 5 amp secondary current. Note: 6 Bus bars may be required at an additional charge – Consult Factory.</p> <p>Differential CT: Requires (3) mounted, and (3) loose or (3) by others, per generator. Must specify required ratio; otherwise Marathon will size the primary current at 1.25 times the generator nameplate rating with a 5 amp secondary current. Note: 6 or 12 lead generators only. 6 Bus bars may be required at an additional charge – Consult Factory.</p> <p>All CTs are 600 V Class. CT's will be mounted in the neutral leads for generators with voltages greater than 600 V. CT type, Vendor, accuracy, primary and secondary current are Marathon's choice. An additional adder may apply for special CT requirements (ie. preferred vendor or non-standard sizing). Subject to verification of capabilities.</p>	\$657 (per CT)	* *
Dual Regulators	Two DVR®2000E+ Regulators with change-over switch (570 & 740 MAGNAMAX ^{DVR®} only) (includes one additional regulator to be used with one existing regulator)	\$2,917	
Isolation/Step Down Transformer	<p>SE350E Regulators: 312 VA, 240 V secondary, 240/480/600 V primary</p> <p>APR 125-5 Regulators: 1000 VA, 120/240 V secondary, 208/240/416/480 V primary 1000 VA, 120/240 V secondary, 600 V primary 1000 VA, 120/240 V secondary, 2400/3300/4160 V primary</p>	\$683 \$878 \$878 \$2,116	
Manual Voltage Control Module	MVC 300 for APR 125-5 and DVR®2000E+ regulators	\$1,546	
Paralleling Module (includes C/T)	APM 2000 for SE350E, PM300E, and APR 125-5 regulators (three phase systems only)	\$755	
Sensing Transformer	<p>Medium voltage potential transformer used for regulator sensing only – will not support additional accessories. 15 VA up to 4160 V for DVR®2000E+ (Single Phase) A 3 phase 15 VA/phase up to 7200 V for DVR®2000E+ (Three Phase)</p> <p>Consult factory for voltages greater than 7200 V.</p>	\$570 \$1,145	
Voltage Adjust Rheostat	SE350E, SE350EL, PM500, PM300E, AVC63-12, APR-125-5	\$123	
Voltage Adjust Switch	For DVR®2000E+ only	\$36	
Voltage Regulators List Price Adder (for substituting AVR for standard unit)	<p>SE350E-MAGNAPLUS® and Pancake No regulator - MAGNAPLUS® and Pancake SE350EL - MAGNAPLUS® (120 Volt systems only) APR 125-5 - MAGNAPLUS® AVC 63-12B1 50/60 Hz AVC63-12B2 - 400 Hertz only DVR®2000E+ - MAGNAMAX^{DVR®} and MAGNAPOWER® PM500 - MAGNAMAX^{DVR®} and MAGNAPOWER® No regulator - MAGNAMAX^{DVR®} and MAGNAPOWER® PM300E - MAGNAMAX^{DVR®} (430 frame only) DVR®2000EC+ - MAGNAMAX^{DVR®} and MAGNAPOWER® (with VAR/PF controller installed)</p>	standard deduct \$25 net \$113 \$1,078 \$811 standard standard deduct \$25 net deduct \$115 net deduct \$25 net \$549	

* Build-to-Order modifications require normal lead time and cannot be performed on stock generators. The base model number of generators may change when build-to-order modifications are made.

Modification Section: Testing

All prices shown are list prices

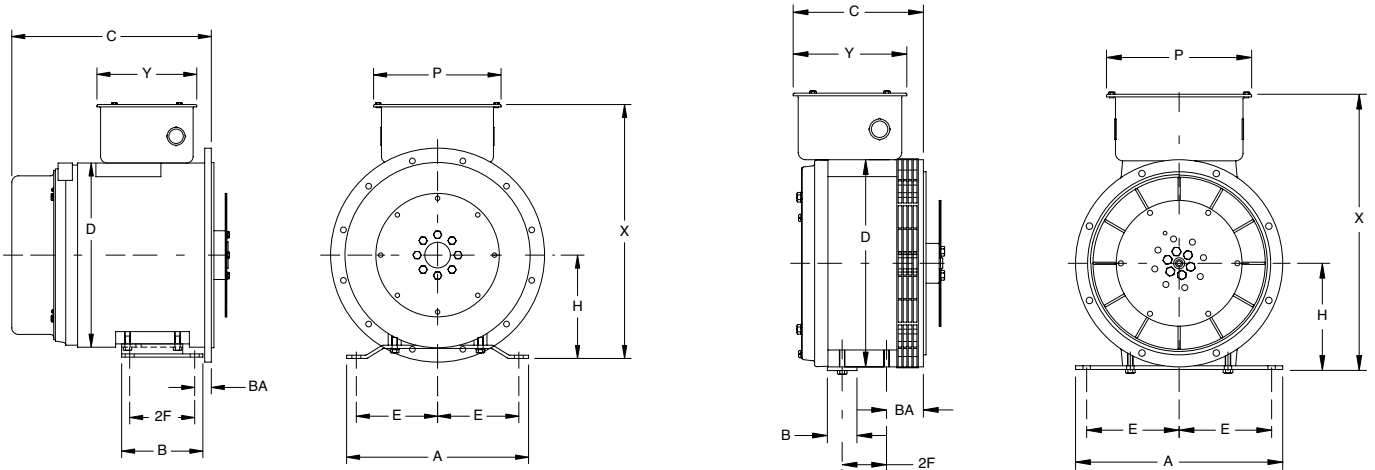
Modification	Description	List Price
Special Testing	Basic setup charge	\$1,361
	MIL-STD-705C	
	Method	
410.1	Open Circuit Saturation Curve	\$267
411.1	Synchronous Impedance Curve - Short-Circuit Saturation Curve	\$298
412.1	Zero-Power Factor Saturation Curve - 1875 kVA maximum @ 480 volts	\$529
413.1	Rated Load Current Saturation Curve - 1875 kVA maximum @ 480 volts	\$585
415.0	Summation of Losses - units of 50 kW and larger	\$719
415.0	Summation of Losses - units of less than 50 kW	\$585
420.1	Short Circuit Ratio	\$282
421.1	Direct-Axis Synchronous Reactance (Xd) - unsaturated	\$267
422.1	Negative Sequence Reactance (X2) - saturated	\$267
423.1	Zero-Sequence Reactance (X0) - saturated	\$211
425.1	Direct-Axis Transient Reactance (X'd) - saturated	\$529
426.1	Direct-Axis Subtransient Reactance (X''d) - saturated	\$365
427.1	Direct-Axis Transient Short Circuit Time Constant (T'd)	\$365
430.1	Direct-Axis Transient Open Circuit Time Constant (T'do)	\$555
432.1	Short Circuit Time Constant of Armature Windings (Ta)	\$359
505.1	Overspeed	\$211
511.1	Voltage Regulator Range - 1875 kVA maximum @ 480 volts	\$1,376
601.1	Voltage Waveform (Oscillographic) - 1875 kVA maximum @ 480 volts	\$847
601.1	Voltage Waveform (Deviation Factor) - run in conjunction with 601.4	N/C
601.4	Voltage Waveform (Harmonic Analysis) - 1875 kVA maximum @ 480 volts	\$508
611.1	Inherent Voltage Droop (generator only) - 1250 kVA maximum	\$765
615.1	Inherent Voltage Regulation (generator only) - 1125 kVA maximum @ 480 volts	\$765
620.1	Voltage Unbalance with Unbalanced Load (Line-to-Neutral Load)	\$339
620.2	Voltage Unbalance with Unbalanced Load (Line-to-Line Load)	\$339
625.1	Short Circuit (Mech. Strength) - 3 phase only, 7000 amp maximum	\$796
680.1	Temperature Rise (generator only) - Heat Run: 5-100 kW	\$955
680.1	Temperature Rise (generator only) - Heat Run: 101-500 kW	\$1,176
680.1	Temperature Rise (generator only) - Heat Run: 501-1500 kW @ 480 volts	\$1,700
680.1	Temperature Rise (generator only) - Heat Run: 1501-2000 kW @ 480 volts	\$2,234
Standard Testing	Winding resistance, 401.1a	N/C
	Insulation resistance of all windings, 301.1b	N/C
	High potential test on all windings, 302.1a	N/C
	Exciter check	N/C
	Regulator operation	N/C
	Exciter field current	N/C
	Voltage balance	N/C
	Overspeed (1 Min.)	N/C
Witness Testing	Additional daily charge for witnessing by customer or customer's agents	\$960

General Notes (Applicable to price on pages 1 through 59)

- All base models listed (except MAGNAPOWER®) are single bearing with two bearings available as a no-charge option. Pricing includes flexible drive discs, SAE adapter, standard voltage regulator, and full guarding. Drip covers are optional. All voltage regulators have underspeed protection, EMI filtering, and are encapsulated for moisture protection.
- MAGNAPLUS® and MAGNAMAX^{DVR}® products have Class H insulation. LIMA®MAC products have Class H insulation on the rotor, and Class F insulation on the stator. MAGNAPOWER® products have Class H insulation for 4160V and below, and Class F insulation for above 4160V. Pancake products have Class F insulation. Rating columns headed NEMA B, F, and H indicate that generators operated at the specified ratings will not exceed the temperature rise limitation for the specified Class of insulation specified in NEMA MG1-32.6. The rating columns do not specify the Class of insulation used in the generator's construction.
- The frame size for each model is the first 3 or 4 digits of the model number.
- All generator ratings listed in this publication are based upon temperature rises measured by the resistance method as defined by MIL-STD-705C and IEEE STD 115, Method 6.4.4. For ratings at rises as measured by embedded temperature detectors, consult Marathon.
- Pancake AVR and MAGNAPLUS® products are shunt-excited (non-PMG) generators. The automatic voltage regulator derives input power from the generator's output leads.
- MAGNAMAX^{DVR}® and MAGNAPOWER® generators incorporate a Permanent Magnet Generator (PMG) as the input power source for the voltage regulator.

Dimensions in inches and (millimeters) Pancake (AVR and Capacitor)

ALL DIMENSIONS ARE APPROXIMATE: Contact factory for full dimensional data



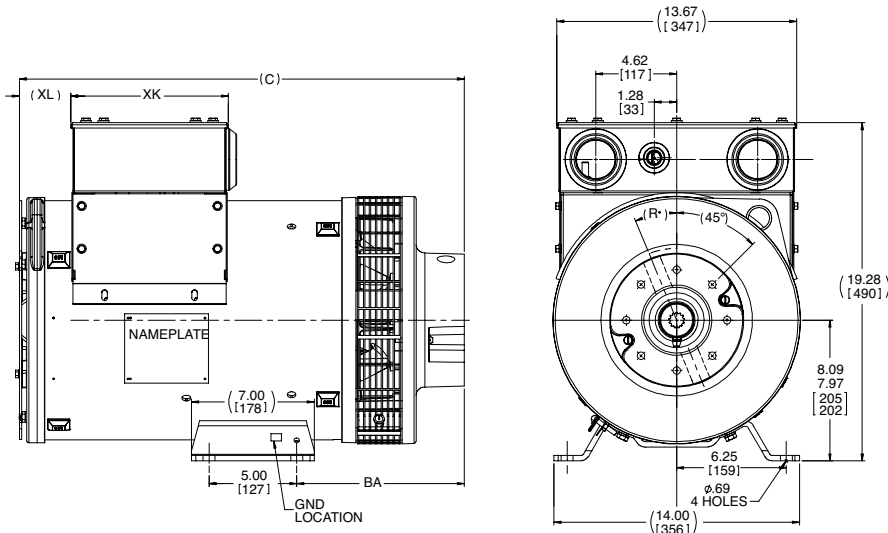
AVR Ratings 331-334 Frames

Capacitor Ratings 201-332 Frames

Type	Frame Size	A	B	C	D	E	H	P	X	Y	BA	2F
Pancake AVR	331	14.0 (356)	6.25 (159)	10.6 (269)	14.0 (356)	6.25 (159)	7.95 (202)	11.3 (287)	19.0 (483)	5.8 (147)	1.17 (30)	5.0 (127)
	332	14.0 (356)	6.25 (159)	11.6 (295)	14.0 (356)	6.25 (159)	7.95 (202)	11.3 (287)	19.0 (483)	5.8 (147)	1.17 (30)	5.0 (127)
	333	14.0 (356)	6.25 (159)	14.0 (356)	14.0 (356)	6.25 (159)	7.95 (202)	11.3 (287)	19.0 (483)	5.8 (147)	1.28 (33)	5.0 (127)
	334	14.0 (356)	6.25 (159)	14.4 (366)	14.0 (356)	6.25 (159)	7.95 (202)	11.3 (287)	19.0 (483)	5.8 (147)	1.28 (33)	5.0 (127)
Pancake Capacitor	201	8.17 (208)	4.0 (102)	9.62 (244)	10.75 (273)	3.3 (84)	6.92 (176)	8.62 (219)	15.69 (399)	4.15 (113)	2.5 (63.5)	3.0 (76)
	332	14.0 (356)	2.0 (51)	8.25 (210)	14.0 (356)	6.25 (159)	7.2 (183)	11.3 (287)	18.1 (460)	5.8 (147)	5.49 (140)	N/A

Dimensions in inches and (millimeters) ATEX Hydraulic MAGNAPLUS®

ALL DIMENSIONS ARE APPROXIMATE:
Contact factory for full dimensional data

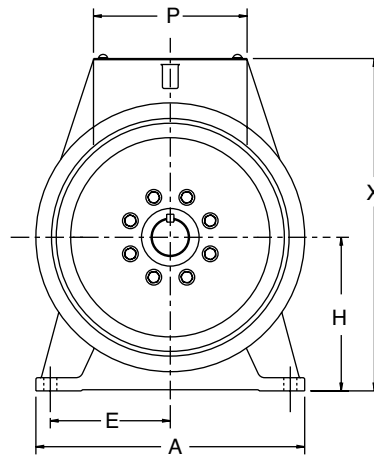
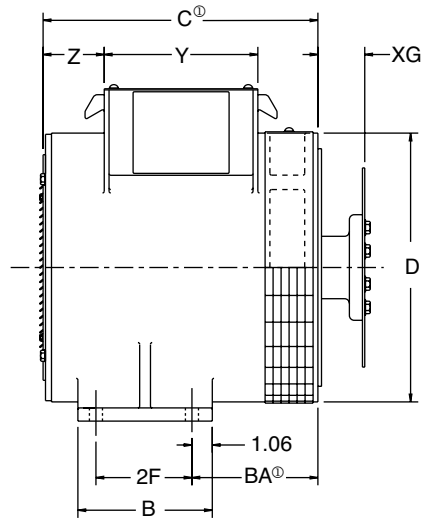


Frame Size	C	BA	XL	XK
281	18.44 (468)	9.57 (243)	3.14 (80)	6.86 (174)
282	21.13 (537)	9.57 (243)	3.05 (77)	8.93 (227)
283	23.13 (588)	9.57 (243)	3.05 (77)	8.93 (227)
284	25.38 (645)	9.57 (243)	3.05 (77)	8.93 (227)

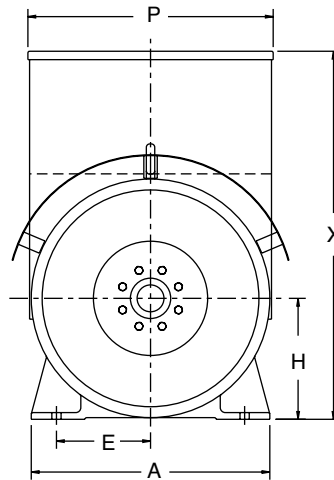
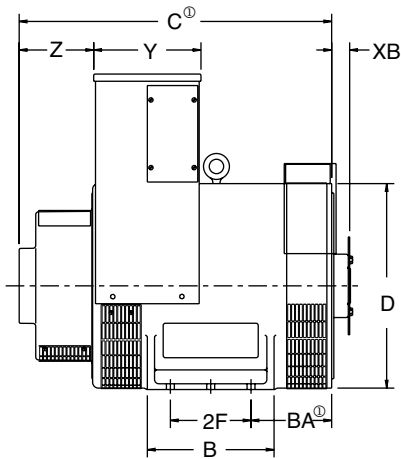
Dimensions in inches and (millimeters)

LIMA SER® LIMA®MAC

ALL DIMENSIONS ARE APPROXIMATE: Refer to Dimension Section of the Generator Catalog for full dimensional data



250 Frame



280-680 Frame

280 LIMA®MAC has split side-mount connection box.

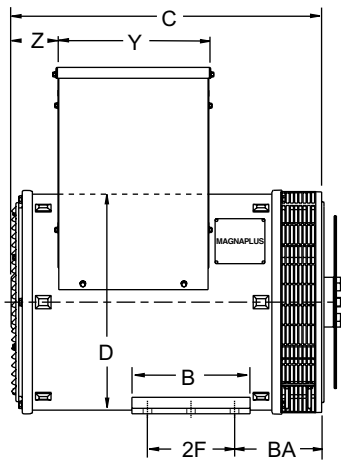
Type	Frame Size	A	B	BA①	C①	D	E	2F	H	P	X	Y	Z
LIMA SER® LIMA®MAC	250	14.00 (356)	7.00 (178)	6.56 (167)	14.31 (363)	14.00 (356)	6.25 (159)	5.00 (127)	8.00 (203)	8.00 (203)	17.31 (440)	8.00 (203)	3.18 (81)
	280	14.00 (356)	7.00 (178)	6.56 (167)	20.88 (530)	13.00 (330)	6.25 (159)	5.00 (127)	8.00 (203)	18.38 (467)	25.06 (637)	9.37 (238)	3.94 (100)
	360 ②	17.75 (451)	11.00 (279)	7.00 (178)	27.12 (689)	17.75 (451)	7.00 (178)	7.00 (178)	9.00 (229)	18.38 (467)	27.38 (695)	9.31 (236)	6.47 (164)
	361 ②	17.75 (451)	11.00 (279)	7.00 (178)	27.12 (689)	17.75 (451)	7.00 (178)	7.00 (178)	9.00 (229)	18.38 (467)	27.38 (695)	9.31 (236)	6.47 (164)
	362 ②	17.75 (451)	11.00 (279)	7.00 (178)	31.12 (793)	17.75 (451)	7.00 (178)	7.00 (178)	9.00 (229)	18.38 (467)	27.38 (695)	9.31 (236)	6.47 (164)
	440 ②	21.25 (540)	14.00 (356)	6.63 (168)	31.50 (800)	21.75 (552)	9.00 (229)	11.00 (279)	11.00 (279)	22.25 (565)	32.21 (818)	12.31 (313)	6.34 (161)
	441 ②	21.25 (540)	14.00 (356)	6.63 (168)	31.50 (800)	21.75 (552)	9.00 (229)	11.00 (279)	11.00 (279)	22.25 (565)	32.21 (818)	12.31 (313)	6.34 (161)
	580	25.75 (654)	14.00 (356)	10.00 (254)	36.62 (930)	25.75 (654)	11.50 (292)	11.00 (279)	14.50 (368)	26.13 (664)	37.12 (943)	18.31 (465)	6.34 (161)
	680	26.00 (660)	17.00 (432)	8.00 (203)	38.12 (968)	28.00 (711)	11.50 (356)	14.00 (356)	14.50 (368)	28.38 (721)	38.75 (984)	18.25 (464)	6.37 (162)

- Notes: ① This dimension will vary dependent upon adaption used.
 ② Delco feet available on these LIMA SER® designs.
 ③ LIMA SER® not available in 580 & 680 frame sizes.

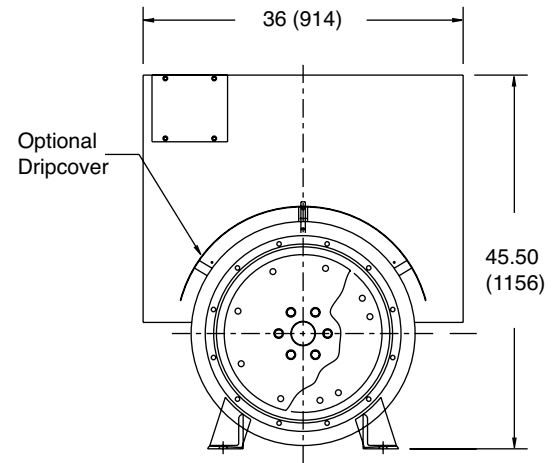
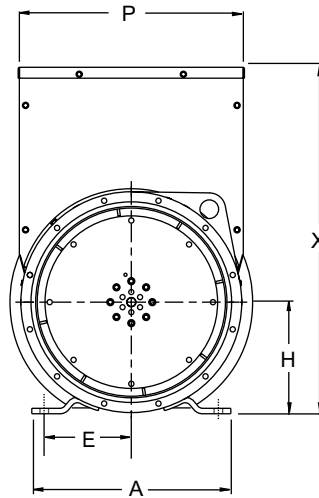
Dimensions in inches and (millimeters)



ALL DIMENSIONS ARE APPROXIMATE: Contact factory for full dimensional data



280-430 frame



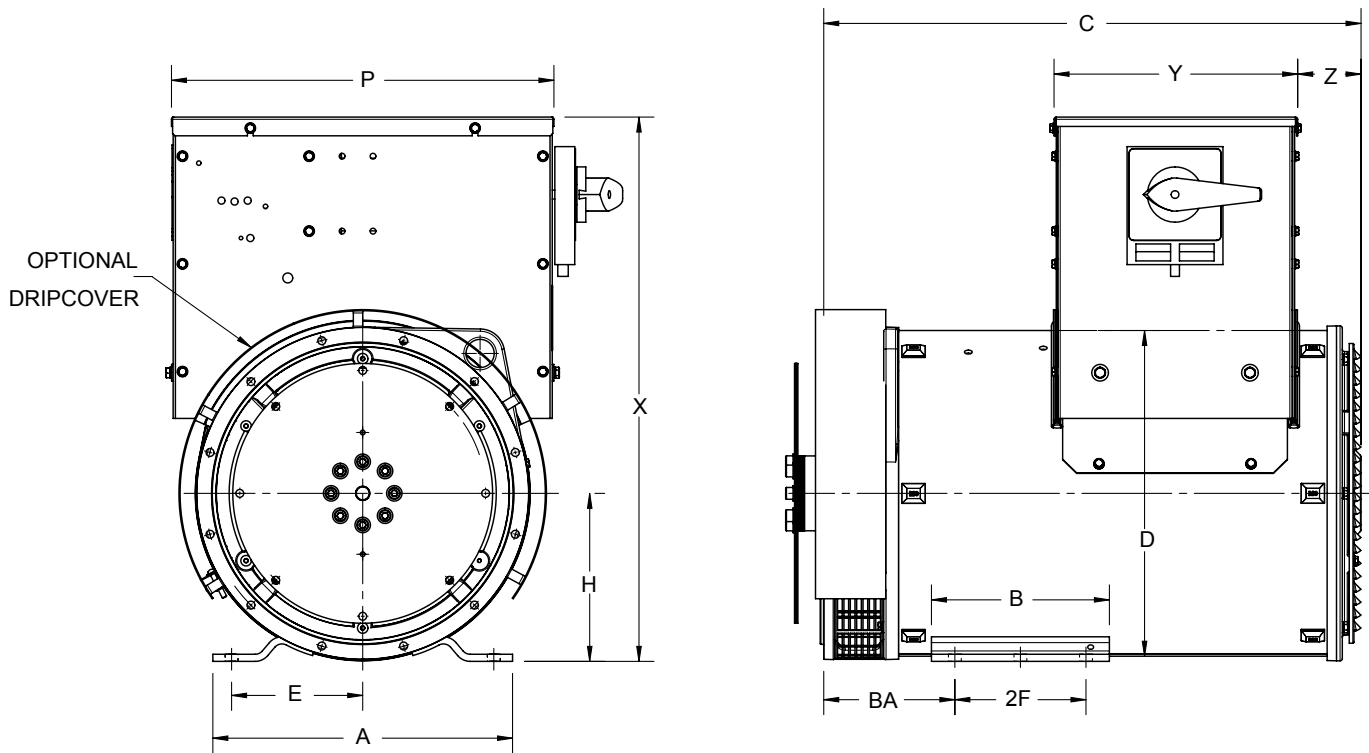
Optional Box (for 430 frame only)

Frame Size	A	B	BA	C	C with PMG	D	E	2F	H	P	X	Y	Z
281PSL	14.00	7.00	6.56	15.95	N/A	13.64	6.25	5.00	8.00	13.55	18.56	6.86	3.50
	(356)	(178)	(167)	(405)		(349)	(159)	(127)	(203)	(344)	(471)	(174)	(89)
281CSL	14.00	7.00	6.56	16.34	N/A	13.75	6.25	5.00	8.00	13.55	18.56	6.86	3.50
	(356)	(178)	(167)	(415)		(349)	(159)	(127)	(203)	(344)	(471)	(174)	(89)
282PSL	14.00	7.00	6.56	18.50	23.10	13.64	6.25	5.00	8.00	13.55	18.56	8.93	3.42
	(356)	(178)	(167)	(470)	(587)	(346)	(159)	(127)	(203)	(344)	(471)	(227)	(87)
282CSL	14.00	7.00	6.56	18.35	N/A	13.75	6.25	5.00	8.00	13.55	18.56	8.93	3.42
	(356)	(178)	(167)	(466)		(349)	(159)	(127)	(203)	(344)	(471)	(227)	(87)
283PSL	14.00	7.00	6.56	20.50	25.10	13.64	6.25	5.00	8.00	13.55	18.56	8.93	3.42
	(356)	(178)	(167)	(521)	(638)	(346)	(159)	(127)	(203)	(344)	(471)	(227)	(87)
283CSL	14.00	7.00	6.56	20.83	N/A	13.75	6.25	5.00	8.00	13.55	18.56	8.93	3.42
	(356)	(178)	(167)	(529)		(349)	(159)	(127)	(203)	(344)	(471)	(227)	(87)
284PSL	14.00	7.00	6.56	22.75	27.40	13.64	6.25	5.00	8.00	13.55	18.56	8.93	3.42
	(356)	(178)	(167)	(578)	(696)	(346)	(159)	(127)	(203)	(344)	(471)	(227)	(87)
284CSL	14.00	7.00	6.56	22.83	N/A	13.75	6.25	5.00	8.00	13.55	18.56	8.93	3.42
	(356)	(178)	(167)	(580)		(349)	(159)	(127)	(203)	(344)	(471)	(227)	(87)
285PSL	14.00	7.00	11.56	25.00	29.60	13.64	6.25	5.00	8.00	13.55	18.56	8.93	3.42
	(356)	(178)	(294)	(635)	(752)	(346)	(159)	(127)	(203)	(344)	(471)	(227)	(87)
286PSL	14.00	7.00	11.56	27.00	31.60	13.64	6.25	5.00	8.00	13.55	18.56	8.93	3.42
	(356)	(178)	(294)	(686)	(803)	(346)	(159)	(127)	(203)	(344)	(471)	(227)	(87)
287PSL	14.00	7.00	11.56	29.00	33.60	13.64	6.25	5.00	8.00	13.55	18.56	8.93	3.42
	(356)	(178)	(294)	(737)	(853)	(346)	(159)	(127)	(203)	(344)	(471)	(227)	(87)
361	16.00	9.50	7.00	24.96	30.06	17.35	7.00	7.00	9.00	18.19	27.85	12.44	3.52
	(406)	(241)	(178)	(634)	(764)	(441)	(178)	(178)	(229)	(462)	(707)	(316)	(89)
362	16.00	9.50	7.00	28.59	33.69	17.35	7.00	7.00	9.00	18.19	27.85	12.44	3.52
	(406)	(241)	(178)	(726)	(856)	(441)	(178)	(178)	(229)	(462)	(707)	(316)	(89)
363	16.00	9.50	10.50	31.72	36.81	17.35	7.00	7.00	9.00	18.19	27.85	12.44	3.52
	(406)	(241)	(267)	(806)	(935)	(441)	(178)	(178)	(229)	(462)	(707)	(316)	(89)
431	21.46	15.00	10.00	33.89	38.27	22.64	9.00	11.00	13.00	24.97	36.10	16.00	2.66
	(545)	(381)	(254)	(861)	(972)	(575)	(229)	(279)	(330)	(634)	(917)	(406)	(68)
432	21.46	15.00	10.00	37.39	41.77	22.64	9.00	11.00	13.00	24.97	36.10	16.00	2.66
	(545)	(381)	(254)	(950)	(1061)	(575)	(229)	(279)	(330)	(634)	(917)	(406)	(68)
433	21.46	15.00	10.00	42.39	46.77	22.64	9.00	11.00	13.00	24.97	36.10	16.00	2.66
	(545)	(381)	(254)	(1077)	(1188)	(575)	(229)	(279)	(330)	(634)	(917)	(406)	(68)

Dimensions in inches and (millimeters)

MAGNASELECT™

ALL DIMENSIONS ARE APPROXIMATE: Contact factory for full dimensional data

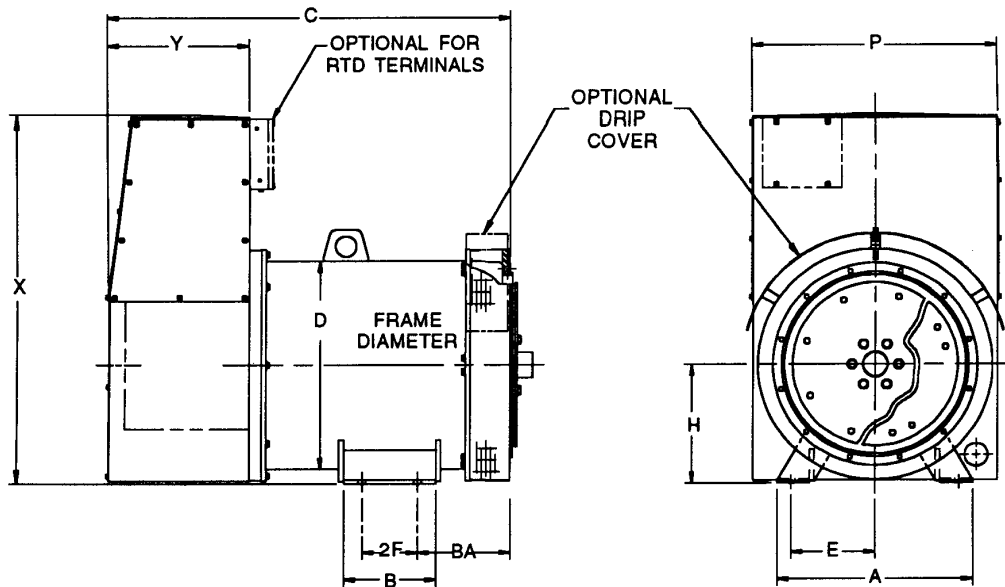


Frame Size	A	B	BA	C	C with PMG	D	E	2F	H	P	X	Y	Z
282	14.00	7.00	6.56	18.50	23.10	13.64	6.25	5.00	8.00	14.98	26.24	8.97	3.37
	(356)	(178)	(167)	(470)	(587)	(346)	(159)	(127)	(203)	(380)	(666)	(228)	(86)
283	14.00	7.00	6.56	20.50	25.10	13.64	6.25	5.00	8.00	14.98	26.24	8.97	3.37
	(356)	(178)	(167)	(521)	(638)	(346)	(159)	(127)	(203)	(380)	(666)	(228)	(86)
284	14.00	7.00	6.56	22.75	27.40	13.64	6.25	5.00	8.00	14.98	26.24	8.97	3.37
	(356)	(178)	(167)	(578)	(696)	(346)	(159)	(127)	(203)	(380)	(666)	(228)	(86)
285	14.00	7.00	11.56	25.00	29.60	13.64	6.25	5.00	8.00	14.98	26.24	8.97	3.37
	(356)	(178)	(294)	(635)	(752)	(346)	(159)	(127)	(203)	(380)	(666)	(228)	(86)
361	16.00	9.50	7.00	24.96	30.06	17.35	7.00	7.00	9.00	20.42	29.06	13.01	3.49
	(406)	(241)	(178)	(634)	(764)	(441)	(178)	(178)	(229)	(519)	(738)	(330)	(89)
362	16.00	9.50	7.00	28.59	33.69	17.35	7.00	7.00	9.00	20.42	29.06	13.01	3.49
	(406)	(241)	(178)	(726)	(856)	(441)	(178)	(178)	(229)	(519)	(738)	(330)	(89)
363	16.00	9.50	10.50	31.72	36.81	17.35	7.00	7.00	9.00	20.42	29.06	13.01	3.49
	(406)	(241)	(267)	(806)	(935)	(441)	(178)	(178)	(229)	(519)	(738)	(330)	(89)
431	21.46	15.00	10.00	33.89	38.27	22.64	9.00	11.00	13.00	30.10	37.08	16.81	2.20
	(545)	(381)	(254)	(861)	(972)	(575)	(229)	(279)	(330)	(765)	(942)	(427)	(56)
432	21.46	15.00	10.00	37.39	41.77	22.64	9.00	11.00	13.00	30.10	37.08	16.81	2.20
	(545)	(381)	(254)	(950)	(1061)	(575)	(229)	(279)	(330)	(765)	(942)	(427)	(56)
433	21.46	15.00	10.00	42.39	46.77	22.64	9.00	11.00	13.00	30.10	37.08	16.81	2.20
	(545)	(381)	(254)	(1077)	(1188)	(575)	(229)	(279)	(330)	(765)	(942)	(427)	(56)

Dimensions in inches and (millimeters)

MAGNAMAX^{DVR}

ALL DIMENSIONS ARE APPROXIMATE: Contact factory for full dimensional data



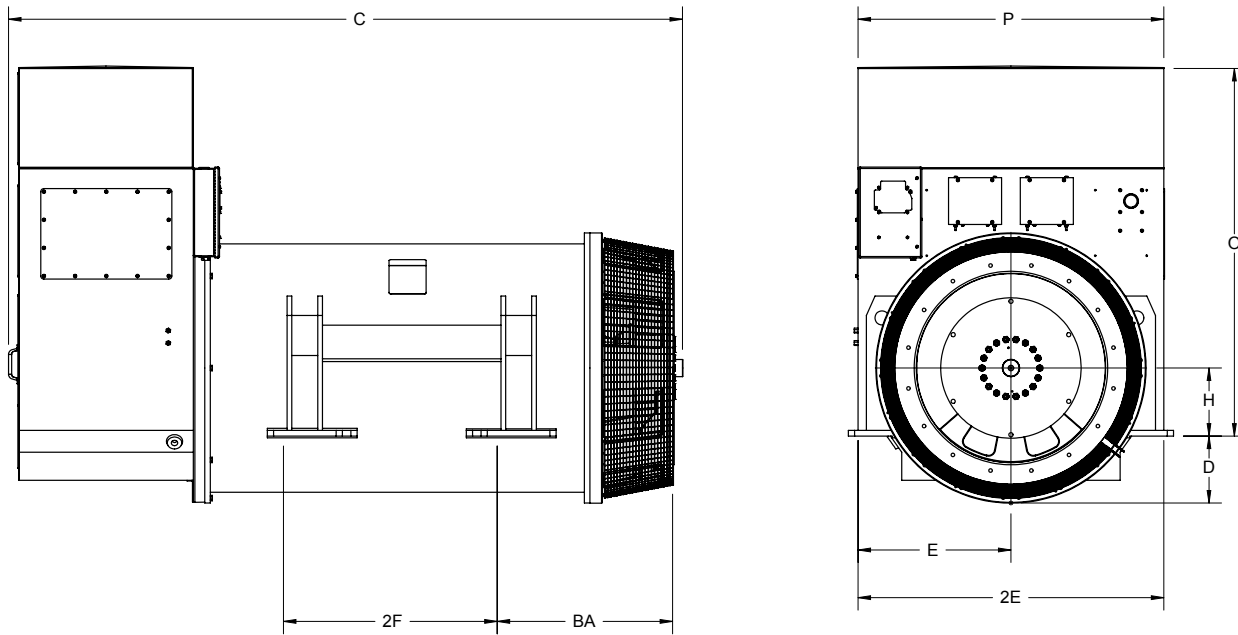
Frame Size	A	B	BA	C	D	E	2F	H	P	X	Y
431	21.00 (533)	10.00 (254)	10.00 (254)	38.40 (975)	22.64 (575)	9.00 (229)	6.00 (152)	13.00 (330)	26.51 (673)	39.77 (1010)	15.21 (386)
432	21.00 (533)	10.00 (254)	10.00 (254)	43.40 (1102)	22.64 (575)	9.00 (229)	6.00 (152)	13.00 (330)	26.51 (673)	39.77 (1010)	15.21 (386)
433	21.00 (533)	15.00 (381)	10.00 (254)	49.40 (1255)	22.64 (575)	9.00 (229)	11.00 (279)	13.00 (330)	26.51 (673)	39.77 (1010)	15.21 (386)
572	22.50 (572)	15.00 (381)	11.50 (292)	51.52 (1308)	27.64 (702)	10.00 (254)	11.00 (279)	15.50 (394)	30.77 (782)	42.64 (1083)	17.21 (437)
573	22.50 (572)	24.00 (610)	11.50 (292)	58.02 (1474)	27.64 (702)	10.00 (254)	20.00 (508)	15.50 (394)	30.77 (782)	42.64 (1083)	17.21 (437)
574	22.50 (572)	24.00 (610)	11.50 (292)	65.02 (1651)	27.64 (702)	10.00 (254)	20.00 (508)	15.50 (394)	30.77 (782)	42.64 (1083)	17.21 (437)
575	22.50 (572)	24.00 (610)	11.50 (292)	69.27 (1759)	27.64 (702)	10.00 (254)	20.00 (508)	15.50 (394)	30.77 (782)	42.64 (1083)	19.21 (488)
740	33.00 (838)	27.00 (686)	12.00 (305)	71.37 (1813)	27.64 (702)	15.00 (381)	23.00 (584)	19.00 (483)	30.77 (782)	51.45 (1307)	19.21 (488)
741	33.00 (838)	27.00 (686)	12.00 (305)	65.81 (1672)	34.24 (870)	15.00 (381)	23.00 (584)	19.00 (483)	38.02 (966)	51.45 (1307)	21.24 (539)
742	33.00 (838)	27.00 (686)	12.00 (305)	72.81 (1849)	34.24 (870)	15.00 (381)	23.00 (584)	19.00 (483)	38.02 (966)	51.45 (1307)	21.24 (539)
743	33.00 (838)	41.00 (1041)	12.00 (305)	79.31 (2014)	34.24 (870)	15.00 (381)	37.00 (940)	19.00 (483)	38.02 (966)	51.45 (1307)	21.24 (539)
744	33.00 (838)	41.00 (1041)	12.00 (305)	85.81 (2180)	34.24 (870)	15.00 (381)	37.00 (940)	19.00 (483)	38.02 (966)	51.45 (1307)	21.24 (539)

Note: Connection boxes shown are furnished as standard product. Consult factory for optional connection boxes.

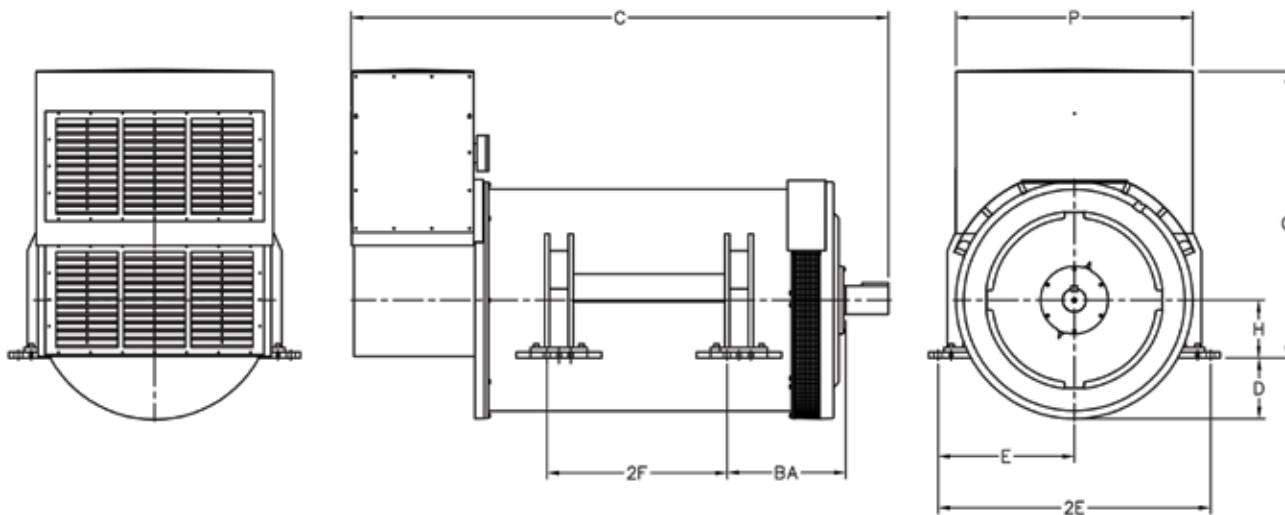
Dimensions in inches and (millimeters)



ALL DIMENSIONS ARE APPROXIMATE: Contact factory for full dimensional data



Frame Size	BA	C	D	E	2E	2F	H	O	P
861	27.2 (691)	98.2 (2494)	10.7 (272)	24.6 (625)	49.2 (1250)	29.3 (745)	10.9 (276)	59.0 (1499)	49.2 (1250)
862	27.2 (691)	104.9 (2665)	10.7 (272)	24.6 (625)	49.2 (1250)	34.3 (870)	10.9 (276)	59.0 (1499)	49.2 (1250)

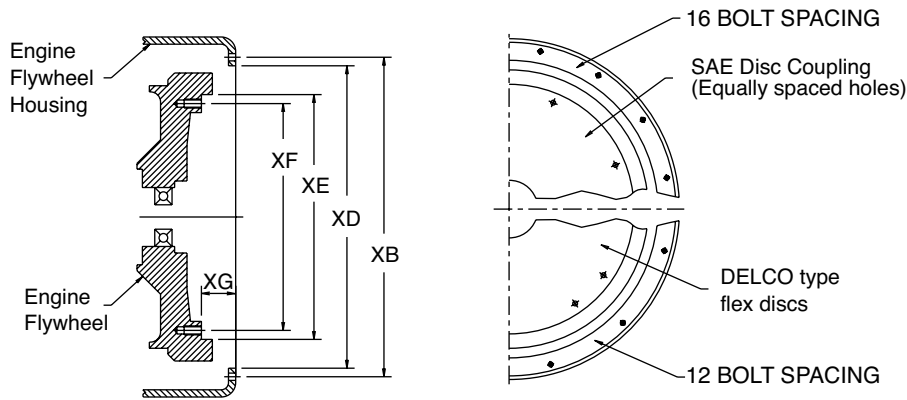


Frame Size	BA	C	D	E	2E	2F	H	O	P
1020	25.03 (636)	107.89 (2740)	12.78 (325)	28.75 (730)	57.50 (1460)	31.00 (787)	12.25 (311)	60.47 (1536)	50.00 (1270)
1030	25.03 (636)	113.36 (2879)	12.78 (325)	28.75 (730)	57.50 (1460)	38.00 (965)	12.25 (311)	60.47 (1536)	50.00 (1270)
1040	23.51 (597)	127.05 (3227)	12.78 (325)	28.75 (730)	57.50 (1460)	45.00 (1143)	12.25 (311)	63.42 (1610)	63.54 (1613)

Note: Connection boxes shown are furnished as standard product. Consult factory for optional connection boxes.

Technical Data

Standard SAE Dimensions
in inches and (millimeters)



Engine Flywheel Housing Dimensions				
SAE No.	XD	XB	Tapped Holes	
			Qty.	Size
00	31.000 (787)	33.50 (851)	16	1/2-13
0	25.500 (647)	26.75 (679)	16	1/2-13
1/2	23.000 (584)	24.38 (619)	12	1/2-13
1	20.125 (511)	20.88 (530)	12	7/16-14
2	17.625 (448)	18.38 (467)	12	3/8-16
3	16.125 (410)	16.88 (429)	12	3/8-16
4	14.250 (362)	15.00 (381)	12	3/8-16
5	12.375 (314)	13.12 (333)	8	3/8-16
6	10.500 (267)	11.25 (283)	8	3/8-16

Engine Flywheel Dimensions					
Size	XE	XF	XG	Tapped Holes	
				Qty.	Size
SAE 21	26.500 (673)	25.25 (641)	0 (0)	12	5/8-11
SAE 18	22.500 (572)	21.38 (543)	.62 (16)	6	5/8-11
SAE 14	18.375 (467)	17.25 (438)	1.00 (25)	8	1/2-13
SAE 11-1/2	13.875 (352)	13.12 (333)	1.56 (40)	8	3/8-16
SAE 10	12.375 (314)	11.62 (295)	2.12 (54)	8	3/8-16
SAE 8	10.375 (264)	9.62 (244)	2.44 (62)	6	3/8-16
SAE 7-1/2	9.500 (241)	8.75 (222)	1.19 (30)	8	5/16-18
SAE 6-1/2	8.500 (210)	7.88 (200)	1.19 (30)	6	5/16-18
Delco 17.75	17.755 (451)	15.50 (394)	.72 (18)	8	5/8-11
Delco 15.50	15.500 (394)	13.88 (353)	.72 (18)	8	5/8-11
Delco 12.75	12.750 (324)	11.00 (279)	0 (0)	4	1/2-13

Technical Data

Mounting Arrangement Cross Reference

Adapter Size	Coupling Size	Available in Frame Sizes												
		MAGNAPLUS® and MAGNAMAX ^{CVR} ®					Lima SER® and LIMA®MAC							
		280 PLUS	360 PLUS	430 PLUS/MAX	570 MAX	740 MAX	Pancake	330	250	280	360	440	580	680
6	6.5						CF							
5	6.5	Std.					Std.	Std.	Std.	Std.				
5	7.5	Std.					Std.	Std.	Std.	Std.				
5	8	Std.					Std.	Std.	Std.	Std.				
5	Lister AI	Build-up					Build-up	Build-up	Build-up					
4	6.5	Std.					Std.	Std.	Std.	Std.				
4	7.5	Std.	Std.				Std.	Std.	Std.	Std.				
4	8	Std.	Std.				Std.	Std.	Std.	Std.				
4	10	Std.	Std.				Std.	Std.	Std.	Std.	Std.			
4	Lister TS	Build-up					Build-up	Build-up						
3	8	Std.	Std.				Std.1		Std.	Std.				
3	10	Std.	Std.	Std.			Std.1		Std.	Std.	Std.			
3	11.5	Std.	Std.	Std.					Std.	Std.	Std.			
3	DDC 12.75	Build-up	Build-up						Std.1	Std.1				
2	10	Std. 1	Std.	Std.					Std.	Std.	Std.			
2	11.5	Std. 1	Std.	Std.					Std.	Std.	Std.			
2	DDC 15.50	CF	Build-up	Std.					Std.	Std.	Std.			
1	11.5		Std.	Std.					Std.	Std.	Std.			
1	14		Build-up	Std.	Std.				Std.	Std.	Std.	Std.	Std.	Std.
1	DDC 17.75		Build-up	Std.	Std.				Std.	Std.	Std.	Std.	Std.	Std.
1/2	DDC 17.75			Std.	Std.						Std.	Std.	Std.	Std.
1/2	14			Std.	Std.						Std.	Std.	Std.	Std.
0	DDC 17.75			Std.		Std.					Std.1	Std.	Std.	Std.
0	14			Std.	Std.	Std.					Std.1	Std.	Std.	Std.
0	18			Std.	Std.	Std.					Std.	Std.	Std.	Std.
00	18				Std.	Std.								
00	21				Std.	Std.								

Notes: CF = Consult factory for price and availability.
 Std. = Standard adaption available at no additional cost.
 Std.1 = Adaption is available for standard units, but at extra cost. Consult factory for pricing.
 Build-up = Requires non-standard shaft. Consult factory for lead times.

Technical Data

Environmental and Special Considerations

Once the size of the generator has been determined, it is important to review the environmental and special conditions which may affect the life of the generator. Some of the most common conditions which may require special attention are outlined below.

ALTITUDE / AMBIENT – For applications over 3300 feet elevation or where the temperature of the ventilating air to the generator exceeds 40°C (104°F), derating of the generator will be necessary. To determine the derating, use the chart below by moving vertically on the specified altitude to the horizontal line that matches the required ambient temperature, then select the derating required.

ABRASIVE DUSTS – When it is possible that airborne abrasive dusts will be introduced to the generator with the ventilating air, additional protection is recommended. Dirt, sand, volcanic ash, gravel, rock dust, etc. are typical of this type of application. Although the generator windings are protected against abrasive environments, severe conditions may warrant protection by means of baffles, housings and filters, or other suitable means. Refer to Marathon Electric for recommendations.

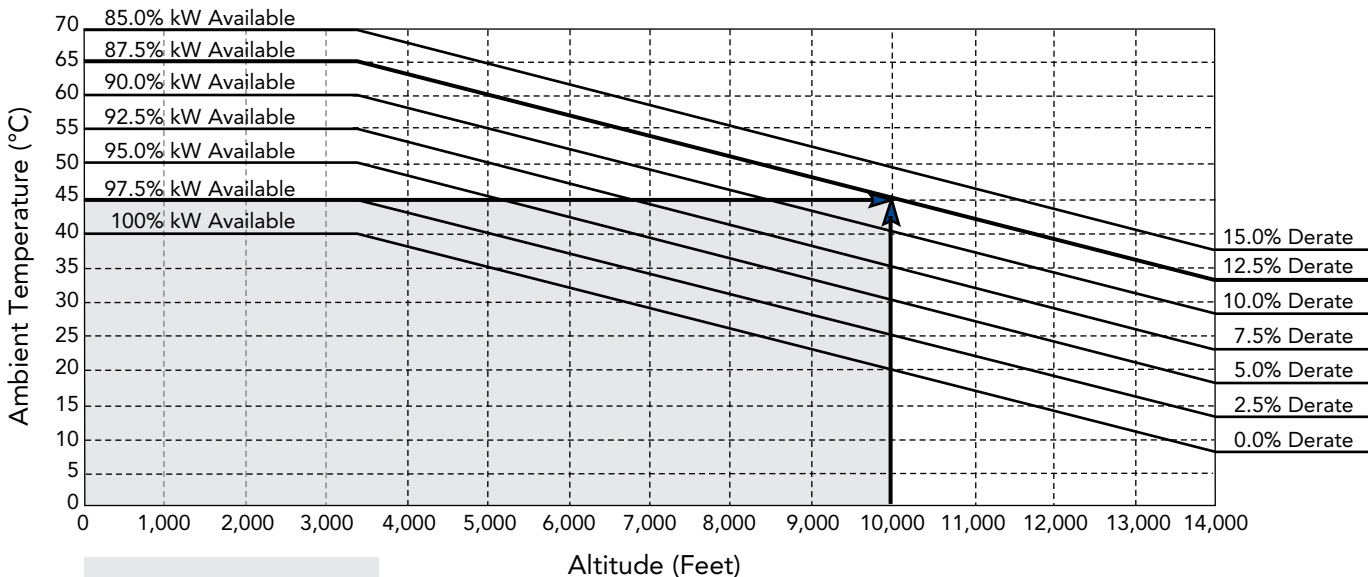
HIGH HUMIDITY AND TROPICAL CLIMATE – In moist or humid areas such as the Tropics, coastal areas, and all marine service, additional protection is recommended. Although the standard windings are humidity and moisture resistant, space heaters are required for these environments.

OUTDOOR APPLICATION – All generators for outdoor application must be protected from the elements by sheet metal housings with the proper openings for ventilation. This protection should be designed to prevent the direct contact of wind driven rain, snow, or dust with the generator. Space heaters are recommended depending on location and type of service. Refer to Marathon Electric for recommendations on enclosure requirements.

NON-LINEAR LOADING – Solid state electronic control devices which utilize thyristors or SCR firing circuits (such as variable frequency induction motor controls, precision motor speed controls, no-break powered battery chargers, etc.) can introduce high frequency harmonics which adversely affect the normal waveform of the generator. This creates additional heat in the generator stator and rotor and can cause overheating. These devices can and do present problems to non-utility power generating equipment or any limited power bus system. The problems which can occur are not limited to the generator itself, but can affect the solid state control device, the equipment it controls, other associated loads, monitoring devices or a number of combinations over the entire system.

It is important that the control manufacturer, the generator manufacturer, and the systems engineer work together to insure the proper selection of all components. Please refer to Marathon for application assistance.

ALTITUDE/AMBIENT RATING ADJUSTMENT

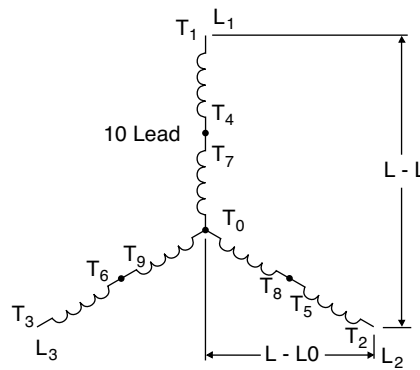
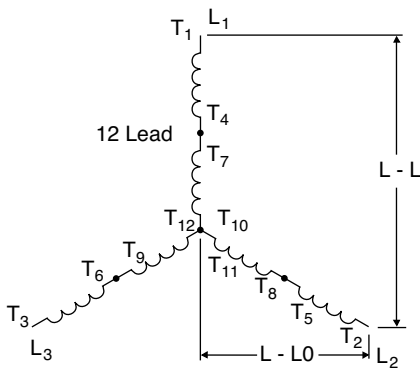


Example:
 Elevation: 10,000 feet
 Ambient: 45°C
 Required Derate: 12.5%
 Catalog Rating x .875

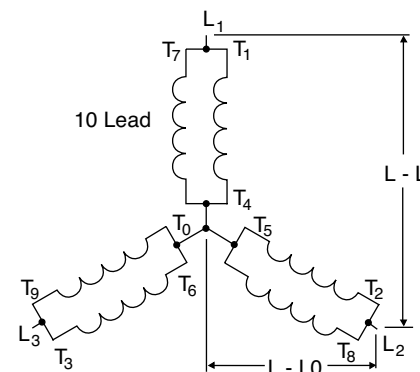
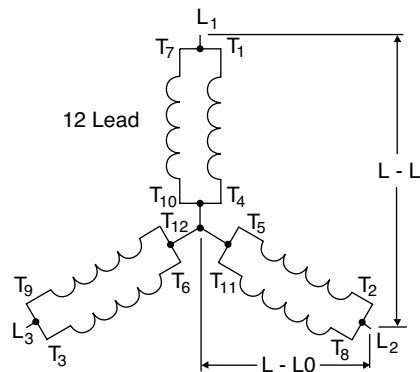
Technical Data

Connection Diagrams

SERIES HIGH WYE

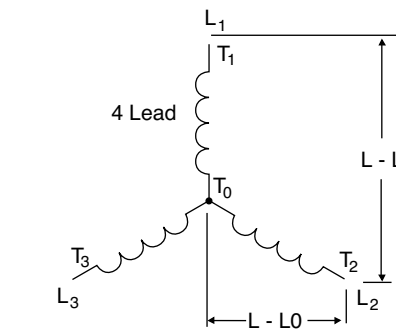
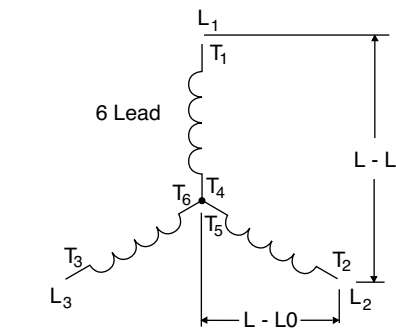


Voltage		
HZ	L-L	L-L0
60	380	219
	416	240
	440	254
	460	266
	480	277
50	380	219
	400	231
	415	240
	440	254



PARALLEL LOW WYE

Voltage		
HZ	L-L	L-L0
60	190	110
	208	120
	220	127
	230	133
	240	139
50	190	110
	200	115
	208	120
	220	127

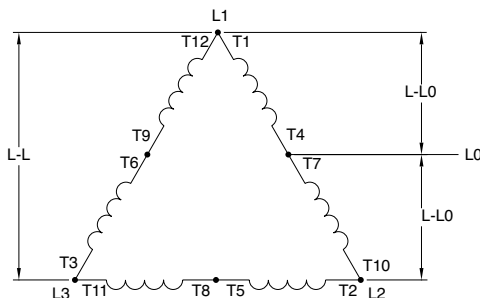


WYE

Voltage		
HZ	L-L	L-L0
60	380	219
	480	277
	600	346
	2400	1386
	3300	1905
	4160	2402
	6600	3811
	13800	7967
50	380	219
	400	231
	415	240
	3300	1905
	11000	6351

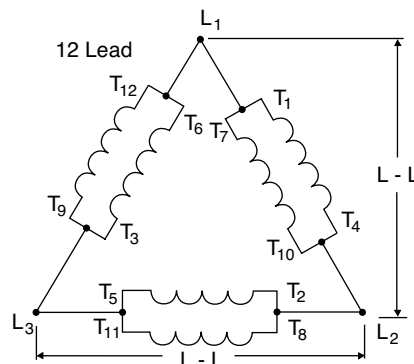
SERIES HIGH DELTA

Voltage		
HZ	L-L	L-L0
60	240	120
	277	139
50	200	100
	220	110
	240	120



PARALLEL LOW DELTA

Voltage	
HZ	L-L
60	110
	120
50	100
	110

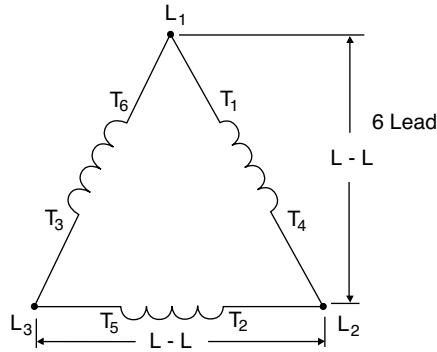


Technical Data

Connection Diagrams

DELTA

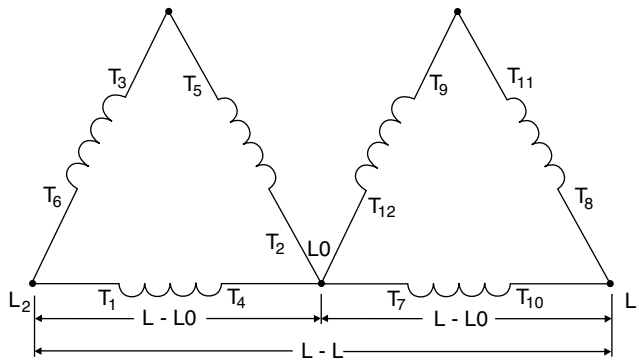
Voltage	
HZ	L-L
60	2402
	7967
50	1905
	6351



DOUBLE DELTA

Single Phase Connection ①

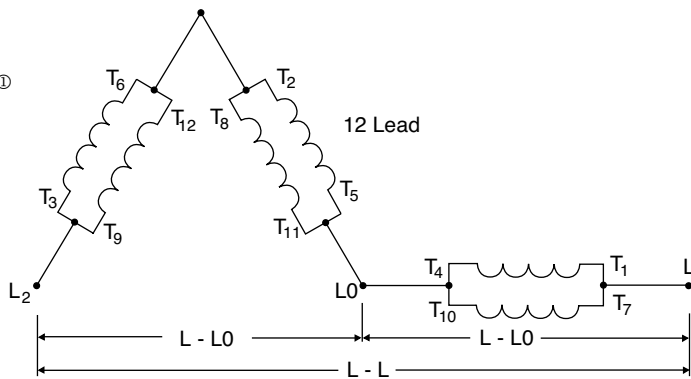
Voltage		
HZ	L-L	L-LO
60	200	100
	220	110
	240	120
50	220	110



PARALLEL LOW ZIGZAG

Single Phase Connection ①

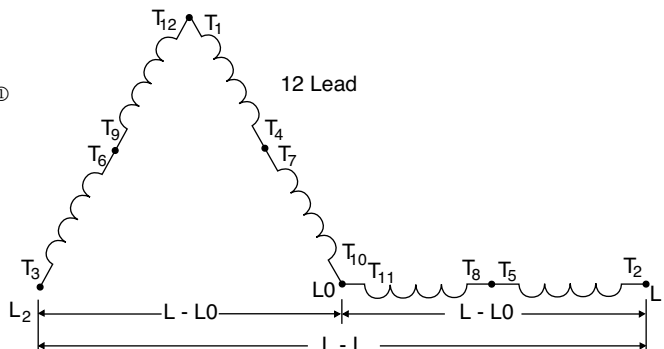
Voltage		
HZ	L-L	L-LO
60	200	100
	220	110
	240	120
50	220	110



SERIES HIGH ZIGZAG

Single Phase Connection ①

Voltage		
HZ	L-L	L-LO
60	480	240
50	440	220



① Single phase kW/kVA ratings are approximately equal to 50% of the generator's three phase ratings.

Technical Data

Automatic Voltage Regulator Features

Feature	STANDARD MODELS				SPECIAL (OPTIONAL) MODELS			
	SE350E	SE350EL	DVR2000E+	AVC63-12	DVR2000EC+	PM300E	PM500	APR125-5
Analog Input	No	No	Yes	Yes	Yes	No	Yes	No
Min. Exciter Field Resistance Ohms	15.0	15.0	18.0	5.25	18.0	21.0	15.0	25.0
Voltage Regulation No Load to Full Load	1.0%	1.0%	0.25%	0.5%	0.25%	1.0%	0.5%	0.25%
Underspeed Protection	Yes	Yes	Yes	Yes	Yes	Yes	Yes	Yes
Overexcitation Protection	Yes	Yes	Yes	Yes	Yes	Yes	Yes	Yes
EMI / RFI Filtering ①	Yes	Yes	Yes	Yes	Yes②	Yes	Yes	Yes
Unit Mounted Voltage Adjust	Std.	Std.	Std.	Std.	Std.	Std.	Std.	Std.
Overvoltage Protection	No	No	Std.	No	Std.	No	Std.	Opt.
Encapsulated	Yes	Yes	Yes	Yes	Yes	Yes	Yes	Yes
Paralleling ③	Opt④	Opt④	Std.	Std.	Std.	Opt④	Std.	Opt④
Line Drop Comp.	No	No	No	Yes	No	No	No	No
VAR/PF Controller	No	No	No	Opt⑤	Yes	No	No	No
Input Power - VAC	240	120 or 240②	PMG	120	PMG	PMG	PMG	240
Cont. Output - ADC	3.5	3.5	3.0	12.0	3.0	3.0	5.0	5.0
Cont. Output - VDC	63	63	75	63	75	63	85	125
Sensing Input - VAC	190-240	85-120 190-240②	100-600	Option B: 180-264	100-600	190-240	175-280 330-515 420-660	190-277 380-480
Sensed Voltage	Average	Average	RMS	Average	RMS	Average	Average	Average
Sensing Frequency (Hz)	50/60	50/60	50/60	Option 1: 50/60 2: 400	50/60	50/60	50/60	50/60
Generator Current Limiting Protection	No	No	No	No	No	No	No	No
AVR Condition LEDs	No	No	Yes	No	Yes	No	No	No
3 Phase Sensing	No	No	Yes	Yes	Yes	No	Yes	No
1 Phase Sensing	Yes	Yes	Yes	Yes	Yes	Yes	Yes	Yes
Loss of Sensing Protection	Yes ⑥	Yes ⑥	Yes	No	Yes	No	No	No
300% Short Circuit Protection	No	No	Yes	No	Yes	No	Yes	No

① With regulator mounted in generator conduit box.

② Depends on switch position.

③ Requires the addition of a paralleling current transformer.

④ Requires the addition of a paralleling module along with a paralleling current transformer.

⑤ Requires the addition of VAR/PF Module.

⑥ Protection is inherent. Sensing and power input share the same two leads.

A loss of sensing (open in the sensing circuit) results in an open in the input power circuit, and the regulator will shut down.

General Formulas

Generator Formulas^①

Desired Data	Single Phase	Three Phase
Kilo Volt Amperest (kVA)	$\frac{\text{Volts} \times \text{Amps}}{1000}$ or $\frac{\text{kW}}{\text{P.F.}}$	$\frac{\sqrt{3} \times \text{Volts} \times \text{Amps}}{1000}$ or $\frac{\text{kW}}{\text{P.F.}}$
Kilowats (kW)	$\frac{\text{Volts} \times \text{Amps} \times \text{P.F.}}{1000}$ or $\text{kVA} \times \text{P.F.}$	$\frac{\sqrt{3} \times \text{Volts} \times \text{Amps} \times \text{P.F.}}{1000}$ or $\text{kVA} \times \text{P.F.}$
Power Factor (P.F.)	$\frac{\text{kW}}{\text{kVA}}$	$\frac{\text{kW}}{\text{kVA}}$
Amperes When kW is Known	$\frac{\text{kW} \times 1000}{\text{Volts} \times \text{P.F.}}$	$\frac{\text{kW} \times 1000}{\sqrt{3} \times \text{Volts} \times \text{P.F.}}$
Amperes When kVA is Known	$\frac{\text{kVA} \times 1000}{\text{Volts}}$	$\frac{\text{kVA} \times 1000}{\sqrt{3} \times \text{Volts}}$
Minimum HP Required for Prime Mover	$\frac{\text{kW}}{\text{Alternator Efficiency} \times 0.746}$	
Frequency (Hz)	$\frac{\text{Number of Poles} \times \text{RPM}}{120}$	
Revolutions Per Minute (RPM)	$\frac{\text{Hz} \times 120}{\text{Number of Poles}}$	
Number of Poles	$\frac{\text{Hz} \times 120}{\text{RPM}}$	

① V = Volts
 A = Current (Amps)
 P.F. = Power Factor

Agency Information

Matrix of Generator and AVR Approvals & Markings

MAGNAPLUS	CE	CSA	UL
281-285	Y	Y	Y
361-363	Y	Y	Y
431-433	Y	Y	Y

MAGNAMAXDVR	CE	CSA	UL
431-433 LV	Y	Y	Y
572-575 LV	Y	Y	Y
741-744 LV	Y	Y	Y

MAGNAMAXDVR	CE	CSA	UL
431-433 MV	N	Y	Y
572-575 MV	N	Y	Y
741-744 MV	N	Y	Y

Pancake	CE	CSA	UL
AVR 332-337	N	Y	N
Capacitor 332-337	N	Y	N

MAGNAPOWER	CE	CSA	UL
1020 - 1040 LV	Y	Y	Y
1020 - 1040 MV	N	Y	N
1020 - 1040 HV	N	Y	N

LIMA MAC	CE	CSA	UL
250-680	Y	Y	N

AVR	CE	CSA	ULR
SE350E	N	Y	Y
SE350EL	Y	Y	Y
SE350P	Y	Y	Y
PM300E	Y	Y	Y
PM500	Y	N	Y
DVR2000E+	Y	Y	Y
DVR2000EC+	Y	Y	Y
APR125-5	N	Y	Y
AVC63-12 B1 & B2	Y	Y	Y



UL Listing Mark – MAGNAMAX® and MAGNAPLUS® units complete with regulator and conduit box and rated 40KW or larger and 600 volts max. Our UL Certification file number is E218422. Go to www.ul.com and select the link to their online certifications directory and enter E218422 in the file number search box and click on JZGZ.E218422 for a complete product listing.



UL Recognized Component Mark – 1) MAGNAMAX® and MAGNAPLUS® units complete with regulator and conduit box and rated less than 40 KW. 2) MAGNAMAX® and MAGNAPLUS® units rated 40 KW or larger but without conduit box and/or regulator. 3) MAGNAPOWER® units with or without regulator This applies to units rated 600 V or less. Our UL Certification File number is E218422. Go to www.ul.com and select the link to their online certifications directory and enter E218422 in the file number search box and click on JZGZ2.E218422 for a complete product listing.



CSA Certification Mark – Applies to majority of MAGNAPOWER®, MAGNAMAX® and MAGNAPLUS® units. Our CSA Certification File number is LR2025 for MAGNAMAX® and MAGNAPOWER® units and LR9401 for MagnaPlus units. Go to www.csagroup.org and select the Certified Product Listing link and enter either 002025 or 009401 in the file number search box.



CSA Certification Mark for Canada and the US – Applies to certain MAGNAMAX®, MAGNAPLUS®, and MAGNAPOWER® units that are specifically Certified for Class 1, Division 2 hazardous locations. Our CSA Certification File number is LR21839. Go to www.csagroup.org and select the Certified Product Listing link and enter 021839 in the file number search box and select the link under CSA Class No. 4228-81.



ATEX symbol – Signifies compliance to the European ATEX Directive which applies to equipment for use in potentially explosive atmospheres. Special construction; available for Zone 2 only.



CE Marking – An acronym for the French “Conformite Europeene”; this marking is required on certain equipment imported to European Union countries based on individual Directives (Laws). MAGNAMAX®, MAGNAPLUS®, and MAC units complete in every aspect of construction, and rated 1000 volts or less, carry the CE marking, based on the Low Voltage Directive.

Marathon Service Parts

Current design units only. Contact factory for older units.

MAGNAPLUS® (PSL1700 SERIES)

Description	281-287 Frame		361-363 Frame		431-433 Frame	
	P/N	List Price	P/N	List Price	P/N	List Price
RECT. ASSY.	777079-0A	\$220	777056-0A	\$310	777062-0A	\$435
FORWARD DIODE	730824-01	\$50	730824-01	\$50	730835-01	\$68
REVERSE DIODE	730825-01	\$50	730825-01	\$50	730835-02	\$68
SURGE PROTECTOR	NONE	N/A	NONE	N/A	730844-01	\$145
BEARING (ODE)	A-7812R-30	\$29	A-7812R-60	\$130	A-7812R-60	\$130
BEARING (DE)	A-7812R-50	\$98	CONTACT FACTORY		A-7812R-90	\$340
FAN	716407-01	\$115	716517-01 w/keyway	\$120	B-525510A-A	\$510
			8GX435077 w/o keyway	\$375		
LINKBOARD-4 POST	765059-01 ^①	\$39	NONE	N/A	NONE	N/A
LINKBOARD	765076-01	\$55	765061-01	\$82	765064-01	\$215
SPACE HEATER	799036-0A	\$1,310	799035-0A	\$980	B-527463	\$570
O-RING	865869-01	\$6.30	865873.01	\$6.30	NONE	N/A

280 FRAME MAGNAPLUS® (CSL1500 SERIES)

Description	281-284 Frame	
	P/N	List Price
RECT. ASSY.	2MG932001	\$390
FORWARD DIODE	730839-01	\$62
REVERSE DIODE	730839-02	\$62
FAN	8MG435002	\$105

280 FRAME MAGNAPLUS® (CSL1500 SERIES)

Description	281-287 Frame	
	P/N	List Price
BEARING (ODE)	A-90006R-35	\$33
ENDBELL (ODE)	8MG013029	\$325
LINKBOARD	765059-01	\$39
O-RING	865569-01	\$6.30

MAGNAPLUS® DRIVE DISC

Description	281-283 Frame		284-287 Frame		361-363 Frame		431-433 Frame	
	P/N	List Price	P/N	List Price	P/N	List Price	P/N	List Price
SAE 6.5	702325-01	\$62	702938-01	\$82	NONE	N/A	NONE	N/A
SAE 7.5	702326-01	\$62	702512-01	\$62	702512-01	\$62	NONE	N/A
SAE 8	702327-01	\$68	702513-01	\$73	702513-01	\$73	NONE	N/A
SAE 10	702328-01	\$62	702514-01	\$62	702514-01	\$62	702725-01	\$105
SAE 11.5	702329-01	\$62	702515-01	\$62	702515-01	\$62	A-525506	\$62
SAE 14	NONE	N/A	NONE	N/A	702516-01	\$88	A-525508	\$62

MAGNAMAX^{DVR}

Description	430 Frame		570 Frame		740 Frame	
	P/N	List Price	P/N	PRICE	P/N	List Price
RECT. ASSY.	B-525528F	\$875	B-525528F	\$875	B-525528G	\$1030
FORWARD DIODE	B-525570-2	\$135	B-525570-2	\$135	B-525570-2	\$135
REVERSE DIODE	B-525571-2	\$135	B-525571-2	\$135	B-525571-2	\$135
SURGE PROTECTOR	B-526482-1	\$155	B-526482-1	\$155	B-526482-2	\$220
BEARING (ODE)	A-7812R-70	\$185	A-7812R-80	\$255	A-7812R-110	\$565
BEARING (DE)	A-7812R-90	\$340	A-7812R-90	\$340	A-7812R-110	\$565
ENDBELL (ODE)	B-525518A-Y	\$585	B-525605A-Y	\$745	B-525739A-Y	\$1,285
ENDBELL (DE)	B-525596A-Y	\$785	B-525693A-Y	\$915	B-525751A-Y	\$1,470
SPACE HEATER-STD	B-525756	\$570	B-525757	\$610	B-525758	\$1,235
SPACE HEATER	B-527463 ^②	\$570	NONE	N/A	NONE	N/A
PMG STATOR ASSY	A-525548-1	\$325	A-525548-1	\$325	A-525548-1	\$325
PMG ROTOR ASSY	A-526816	\$560	A-526816	\$560	A-526816/A-527571	\$560
PMG CAPACITOR	A-66377-45	\$29	A-66377-45	\$29	A-66377-45	\$29

① 281 Frame Linkboard (require 2 per unit).

② Redesign Space Heater for 6000 series 430 frame generator.

③ Contact factory for older units.

MINIMUM PARTS CHARGE – The minimum charge on replacement parts orders is \$75.00.

LIMA®MAC (250-280 FRAME)

Description	250 Frame		260 Frame		280 Frame	
	P/N	List Price	P/N	List Price	P/N	List Price
BRIDGE DIODE (2)	761468-01	\$68	NONE	N/A	NONE	N/A
STAT. RECT. (4 LD)	777058-0A	\$490	NONE	N/A	NONE	N/A
RECT. ASSY. (2 PC)	NONE	N/A	778714-0A③	\$265	778714-0A③	\$265
RECT. ASSY. (RFR)	NONE	N/A	NONE	N/A	777086-0A	\$325
RECT. ASSY. (OLD)	NONE	N/A	NONE	N/A	777079-0A	\$220
F DIODE 778714-0A	NONE	N/A	730839-01	\$62	730839-01	\$62
R DIODE 778714-0A	NONE	N/A	730839-02	\$62	730839-02	\$62
F DIODE 777086-0A	NONE	N/A	NONE	N/A	730824-01	\$50
R DIODE 777086-0A	NONE	N/A	NONE	N/A	730825-01	\$50
BEARING (ODE)	A-90006R-35	\$33	A-90005R-40	\$68	CONTACT FACTORY	
BEARING (DE)	A-7811R-50	\$65	CONTACT FACTORY		A-7812R-50	\$98

LIMA®MAC (360-580 FRAME)

Description	360 Frame		440 Frame		580 Frame	
	P/N	List Price	P/N	List Price	P/N	List Price
RECT. ASSY.	777056-0A	\$310	777056-0A	\$310	777056-0A	\$310
FORWARD DIODE	730824-01	\$50	730824-01	\$50	730824-01	\$50
REVERSE DIODE	730825-01	\$50	730825-01	\$50	730825-01	\$50
BEARING (ODE)	A-7812R-60	\$130	CONTACT FACTORY		A-7811R-70	\$360
BEARING (DE)	A-7812R-65	\$145	A-90005R-80	\$535	A-7811R-90	\$765

332CSA (5200 SERIES) Pancake Capacitor

Description	P/N	List Price
DIODE	730825-01	\$50
SURGE PROTECTOR	761684-0A	\$15.50
CAPACITOR	A-66377-49	\$45
BEARING (ODE)	A-90006R-35	\$33
ENDBELL (ODE)	5LHD013033	\$265
O-RING	865869-01	\$6.30
FAN	716002-01	\$135
POT COVER	8LHD306022	\$39

330 FRAME CSA (3000 SERIES) Pancake AVR

Description	P/N	List Price
RECT. ASSY.	5LHD675045-A	N/A
BEARING (ODE)	A-90006R-35	\$33
FAN	716002-01	\$135
CLAMP PLATE	8LHD.156.021	Contact factory

STANDARD MARATHON REGULATORS & FUSES

Description	P/N	List Price
SE350E/SE350P	761594-01	\$570
SE350EL	761688-01	\$650
PM300E	761689-01	\$875
PM500	761690-01	\$1,325
DVR2000E+	PL-8794700HMG01	\$2,225
DVR2000EC+	PL-8794700HMG02	\$2,805
PM500 RETRO FIT KIT	LK1145	\$1,370
DVR2000E+ RETRO KIT	LK1129	\$2,280
DVR2000EC+ RETRO KIT	LK1141	\$2,865
DVR2000E+/EC+ REG. PANEL	Varies by Generator	\$103
DVR2000E+ RETRO KIT/ B.O.B.	LK1134	\$2,895
B.O.B. ONLY	LK1136	\$620

Description	P/N	List Price
VR63-4C	761560-01	\$950
APR63-5	A-512554	\$945
APR125-5	A-513062	\$1,970
AVC63-4A	761590-01	\$815
AVC63-12B1	769812-03	\$1,895
AVC63-12B2	769812-04	\$1,895
DVR2000E+/SE350E FUSE	A-527066-1	\$13.50

All other parts, please contact your local manufacture's rep. as identified on back cover.
PRICES AND DATA SUBJECT TO CHANGE WITHOUT NOTICE.

MINIMUM PARTS CHARGE – The minimum charge on replacement parts orders is \$75.00.



TERMS AND CONDITIONS OF SALE

For the full version of the Terms and Conditions of Sales with Supplements A and B - Visit <http://www.regalbeloit.com/what-we-do/products-brands/>

Regal STCS Rev 5-14

ALL QUOTATIONS ARE OFFERED AND ALL PURCHASE ORDERS ARE ACCEPTED BY SELLER SUBJECT ONLY TO THESE TERMS AND CONDITIONS.

1. DEFINITIONS: "Buyer" means the entity to which Seller is selling Products or Services under a Contract. "Contract" means the agreement between Buyer and Seller governing the sale of Products and/or Services by Seller to Buyer. These Terms and Conditions, the Quotation (if one is issued by Seller), any purchase order acknowledgement (if one is issued by Seller), and Buyer's purchase order (except to the extent that it conflicts with these Terms and Conditions, the Quotation, and/or the order acknowledgement) constitute the Contract. "Products" means the equipment, parts, materials, supplies, and other goods that Seller has agreed to supply under the Contract. References in these Terms and Conditions to the purchase and sale of Products may mean, where applicable, the licensing of Software loaded on or provided with the Products. "Quotation" means Seller's statement identifying the Products and Services, together with any quantity, price, delivery schedule, and/or other terms and conditions (in addition to or different from these Terms and Conditions), offered by Seller for sale to Buyer. A Quotation that incorporates these Terms and Conditions by reference shall be deemed to include these Terms and Conditions, whether or not Seller provides a complete copy of these Terms and Conditions to Buyer with the Quotation, with a purchase order acknowledgement, or with an invoice. Where there is a conflict between these Terms and Conditions and other provisions of the Quotation, the latter shall control. "Services" means the services that Seller has agreed to provide under the Contract. "Software" means software loaded on or provided with the Products. "Seller" means the Regal entity – whether Regal Beloit Corporation ("RBC") or an RBC subsidiary – supplying Products and/or providing Services under the Contract. "Terms and Conditions" means these "Terms and Conditions of Sale."

2. CONTRACT FORMATION: No agreement or understanding, oral or written, purporting to modify these Terms and Conditions shall be binding on Seller unless it is made in writing, specifically stating that it is a modification of these Terms and Conditions and it is signed by Seller's authorized representative. No course of dealing, usage of trade, or course of performance shall be relevant to explain or supplement any of these Terms and Conditions. If these Terms and Conditions are deemed an offer, Buyer's acceptance of Seller's offer is expressly limited to acceptance of these Terms and Conditions. Fulfillment of Buyer's order does not constitute acceptance of any of Buyer's terms and conditions and does not modify or amend these Terms and Conditions. Buyer's purchase order for the purchase of Products and/or for the performance of Services shall constitute Buyer's assent to these Terms and Conditions. Any terms and conditions contained in Buyer's purchase order or other form of communication from Buyer that are additional to or different from these Terms and Conditions, shall be deemed rejected by Seller, unless expressly accepted in writing by Seller's authorized representative. Alternatively, if these Terms and Conditions are deemed to be a response to, an acceptance of, or a written confirmation of, Buyer's offer, whether provided in the form of a purchase order or otherwise, Seller's acceptance is expressly conditioned upon Buyer's assent to these Terms and Conditions. Buyer's acceptance of Products tendered to Buyer by Seller shall constitute Buyer's express assent to all of the terms and conditions contained in these Terms and Conditions. All proposals, negotiations and representations, if any, made prior to or with reference hereto are hereby superseded by these Terms and Conditions. References in this Section to "these Terms and Conditions" shall be deemed to mean these Terms and Conditions and Seller's Quotation, if Seller has issued a Quotation.

3. ACCEPTANCE OF PURCHASE ORDERS: No Buyer purchase order shall be binding on Seller until accepted in writing by Seller, and Seller shall have no liability to Buyer with respect to purchase orders that are not accepted. Shipment against a purchase order shall be deemed to constitute Seller's acceptance thereof, subject to these Terms and Conditions. All purchase orders shall be subject to these Terms and Conditions, whether or not the purchase orders so state. Purchase orders accepted by Seller may not be cancelled or modified by Buyer without the prior written consent of Seller.

4. QUOTATIONS: Quotations shall expire and shall be void thirty (30) days from date of the Quotation, unless otherwise specified in the Quotation. The Quotation may be modified or withdrawn by Seller at any time before Seller's receipt of Buyer's conforming acceptance.

5. PRICES; PRICE CHANGES: (a) Products. The price of the Products sold pursuant to the Contract shall be as set forth in the Quotation. If price is not specified in the Quotation, price shall be based upon Seller's prices in effect at the time of shipment. Published prices are for Products of Seller's current standard design and constructed of standard materials. Variation from the standard design and/or materials requires special pricing. Seller reserves the right at any time, and without incurring any obligation, to discontinue the manufacture of any model, to withdraw products from sale, to make changes in design, and/or to add improvements to products. Price also shall be based on freight rates in effect at the time of shipment. Where applicable, in the event of an increase in the applicable freight rates before the shipment of Products, such changes will be for the account of Buyer. Price advances, discounts, extras and other terms and conditions are subject to change without notice. Unless otherwise provided in the Quotation, price is based on delivery in accordance with the "Delivery" section below. Prices include Seller's standard packing. (b) Services. Services prices are based on normal business hours (8 AM to 5 PM Monday through Friday). Overtime and Saturday hours will be billed at one and one half (1.5) times the normal business hour hourly rate. Sunday hours will be billed at two (2) times the normal business hours hourly rate; holiday hours will be billed at three (3) times the normal business hours hourly rate.

6. TAXES, DUTIES AND FEES: Seller shall be responsible for taxes measured on Seller's net income based upon performance of, or payment for, work under the Contract ("Seller Taxes"). Buyer shall be responsible for all other taxes, duties, fees or other charges of any kind (including, but not limited to any manufacturer's tax, retailers' occupation tax, use tax, sales tax, excise tax, duty, custom, inspection or testing fee, value added tax, or any other tax, fee or charge of any nature whatsoever) imposed by any governmental authority against Buyer, Seller or Seller's suppliers and/or contractors, based upon the Contract between Seller and Buyer. In the event Seller is required to pay any such tax, fee or charge, regardless whether such tax, fee or charge is imposed before or after Seller's delivery of the Products and/or Buyer's payment under the Contract, Buyer shall reimburse Seller therefor. In lieu of such reimbursement, Buyer shall provide Seller, at the time the order is submitted, with an exemption certificate or other document acceptable to the

authority imposing such tax, fee or charge. If Seller's prices include any taxes, duties or fees (other than Seller Taxes), any change in such taxes, duties and/or fees shall be the basis for a price adjustment.

7. TERMS OF PAYMENT: (a) Terms. Terms of payment are cash in full, without set-off or discount, in U.S. dollars, and by wire transfer, no later than thirty (30) days from date of invoice. (b) Payment Default. If Buyer defaults in any payment when due, or in the event that any voluntary or involuntary bankruptcy or insolvency proceedings involving Buyer are initiated by or against Buyer, then the whole Contract price shall immediately become due and payable upon demand, or Seller, at its option and without prejudice to its other lawful remedies, may defer delivery or cancel the Contract. Where delivery is deferred and Seller does not demand immediate payment of the full Contract price, pro-rata payments shall become due as shipments are made. (c) Buyer Financial Condition. If, during the period of performance of the Contract, the financial condition of Buyer is determined by Seller not to justify the terms of payment specified, Seller may demand full or partial payment in advance before proceeding with the work, or satisfactory security or guarantees that invoices will be promptly paid when due, or, at its option, without prejudice to other lawful remedies, may defer delivery or cancel the Contract. (d) Delay. If delivery is delayed by Buyer, which delay must be consented to by Seller, Seller may store the Products in accordance with subsection 8(e) "Storage" below and Seller may submit a new estimate of cost for completion based on prevailing conditions. Payments shall become due from the date on which Seller is prepared to deliver the Products and storage shall be the Buyer's risk and expense as provided in subsection 8(g) "Storage" below. If manufacture is delayed by Buyer for any cause, a partial payment based upon the proportion of the order completed shall become due from the date on which Seller is notified of the delay. (e) Late Payment Charge. Buyer shall pay a late payment charge on all amounts not paid in full when due at the rate of one and one half percent (1.5%) per month or at the maximum legally permissible rate, whichever is lower. (f) Exceptions. Supplement A to these Terms and Conditions lists Seller business units for which payment terms vary from payment terms set forth in this Section 7.

8. DELIVERY; TITLE TRANSFER; RISK OF LOSS/DAMAGE:

(a) Delivery – U.S. Buyer. For sales in the U.S. that do not involve export from the U.S., Seller shall deliver Products to Buyer EXW Seller's U.S. point of shipment (Incoterms® 2010). The point of shipment shall be the shipping dock of Seller's factory, warehouse or other facility that Seller designates as its discretion as point of shipment from time to time. (b) Sales Involving Exports from U.S. (1) Delivery – U.S. Buyer; Subsequent Drop Shipment to Location Outside U.S. For sales, in the U.S. to a U.S. Buyer, which involve drop shipment at Buyer's request and/or on Buyer's behalf, to a location outside the U.S., Seller shall deliver the Products to Buyer EXW Seller's U.S. point of shipment (Incoterms® 2010). The point of shipment shall be the shipping dock of Seller's factory, warehouse or other facility that Seller designates at its discretion as its point of shipment from time to time. Buyer is responsible for all transportation charges incurred after delivery of the Products to the carrier or Buyer at the point of shipment and shall reimburse Seller for any transit insurance or freight pre-paid for the Products by Seller. Buyer shall bear the risk of loss and/or damage in transportation. Buyer is responsible for filing any export documents required for export from the U.S. (2) Delivery – Non-U.S. Buyer; Routed Export Transactions. For sales in the U.S. to a non-U.S. Buyer, Seller shall deliver Products to Buyer's freight forwarder EXW Seller's U.S. point of shipment (Incoterms® 2010). The point of shipment shall be the shipping dock of Seller's factory, warehouse or other facility that Seller designates at its discretion as its point of shipment from time to time. In a "Routed Export Transaction," as defined in the U.S. Census regulations, 15 CFR Section 30.3, where Buyer is a non-U.S. entity, Buyer shall authorize Buyer's designated freight forwarder or Seller to facilitate the export of the Products from the U.S. and to prepare and file export documentation with respect to such export transaction (hereafter, to "Facilitate the Export"). If Buyer authorizes its designated freight forwarder to Facilitate the Export, Buyer's freight forwarder shall provide Seller with a copy of the final export documentation and proof of filing. If Buyer authorizes Seller to Facilitate the Export, Buyer shall cause Buyer's freight forwarder to provide Seller the information needed by Seller to Facilitate the Export. Buyer shall give timely notice to Seller identifying whom it has designated to Facilitate the Export. (c) Delivery Dates. Delivery dates are approximate, are not guaranteed and are based upon prompt receipt by Seller from Buyer of all necessary shipping and other information. Seller may deliver in advance of the delivery schedule. Seller reserves the right to make delivery in installments, with all installments to be separately invoiced and paid for by Buyer when due per invoice, without regard to subsequent deliveries. Delivery of the Products to a commercial carrier at the shipping point shall constitute delivery to Buyer. (d) Title Transfer. Title to Products shall pass to Buyer upon the earlier of delivery of the Products to the carrier or Buyer at the point of shipment in accordance with subsection (a) above, except that, for Routed Export Transactions, title shall transfer to Buyer upon delivery to Buyer's designated freight forwarder. Subject to applicable law, Seller, upon notice to Buyer, may retain title to the Products until such time as Seller receives payment in full from Buyer. Title to Software shall not pass to Buyer and is subject to the applicable license. (e) Risk of Loss/Damage. Risk of loss and/or damage shall pass to Buyer upon delivery in accordance with subsection (a) above, except that, for Routed Export Transactions, risk of loss and/or damage shall pass upon delivery of the Products to Buyer's designated freight forwarder. (f) Delivery by Seller's Carrier. Where the parties agree that delivery shall be made at a location other than Seller's point of shipment, where Seller will deliver using its carrier or Seller's privately owned or leased trucks, unloading at the agreed location shall constitute delivery to Buyer. Freight and handling charges by Seller may not reflect actual freight charges prepaid to the carrier by Seller due to incentive discounts earned by Seller based upon Seller's aggregate volume of freight tendered to a carrier or when a carrier must be used which charges a rate which is different than the rate upon which Seller's freight and handling charges were based. When shipments are delivered in Seller's privately owned or leased trucks, Buyer will be charged an amount approximating the prevailing common carrier rate. (g) Storage. In the event that Buyer is unable to accept delivery of the Products at time of shipment, Seller shall invoice Buyer for the full purchase price as if shipment had been made and: (i) if Seller is able to store such Products in its own facilities, Buyer will pay Seller the reasonable handling and storage charges for the period of such storage, or (ii) if Seller is unable to store such goods at its own facility, Seller reserves the right to arrange handling and storage in a suitable bonded warehouse for Buyer at

Buyer's expense. In cases where handling and storage become necessary, it shall be Buyer's responsibility to notify Seller when shipment is to be made. Seller will make necessary arrangements for shipment at Buyer's expense.

9. EXCUSABLE DELAYS; FORCE MAJEURE: (a) Excuse of Performance. Seller shall not be liable for any ordinary, incidental, or consequential loss or damage as a result of Seller's delay in or failure of delivery, or installation of Products or performance of Services due to (i) any cause beyond Seller's reasonable control, (ii) an act of God, act of Buyer, embargo or other government act, authority, regulation or request, fire, theft, accident, strike, slowdown or other labor disturbance, war, armed conflict, act or threat of terrorism, riot, epidemic, delay in transportation, or (iii) inability to obtain necessary labor, materials, components, or facilities. Should any of the aforementioned events occur, Seller, at its option, may cancel Buyer's order with respect to any undelivered Products or incomplete Services or extend the delivery date for a period equal to the time lost because of delay. Notice of such election shall be given promptly to Buyer. In the event Seller elects to so cancel the Contract, Seller shall be released of and from all liability for failure to deliver the Products or to perform the Services, including, but not limited to, any and all claims on behalf of Buyer for lost profits, or any other claim of any nature which Buyer might have. If shipping or progress of the work is delayed or interrupted by Buyer, directly or indirectly, Buyer shall pay Seller for all additional charges resulting therefrom. (b) Allocation. If Seller determines that its ability to meet the demand for products, including the Products, or to obtain labor, materials, components or facilities is hindered, limited or made impracticable due to causes set forth in subsection (a) above, Seller may allocate its available supply of products, including the Products, among itself and its purchasers on such basis as Seller determines to be equitable without liability for any failure of performance which may result therefrom.

10. LIMITED WARRANTY. (a) Scope and Period. (1) Products. Seller warrants that the Products shall be delivered free from defects in material, workmanship and title and shall conform to Seller's specification agreed upon in a written and signed agreement by Buyer and Seller, if applicable, for the Products. This warranty shall expire twelve (12) months from first use of the Product or eighteen (18) months from date of manufacture of the Product, whichever occurs first. (2) Repaired and/or Replaced Products and/or Parts of Products. Seller warrants that the repaired or replaced Products or parts of Products shall be delivered free from defects in material, workmanship and title. In the case of repaired or replaced Products or parts of Products comprising warranty remedies for Products, this warranty shall expire upon expiration of the warranty period applicable to the Products originally supplied by Seller. In the case of other repaired or replaced Products or parts of Products, this warranty shall expire twelve (12) months from the date of repair or manufacture of the Products or parts of the Products. (3) Services. Seller warrants that the Services shall be performed in a competent and diligent manner in accordance with any mutually agreed specification. This warranty shall expire ninety (90) days from the date of completion of such Services. (4) Software. Seller warrants that the Software shall execute, at time of delivery, in accordance with the specification agreed upon in a written and signed agreement by Buyer (as licensee) and Seller (as licensor) when properly installed in the Products. The warranty shall expire six (6) months from date of manufacture of the first Product in which the Software is loaded. (5) Applicability. This warranty shall apply to any Products and/or Software bought, acquired, and/or used by an entity that, or person who, acquires the Products and/or Software from Buyer (a "Transferee"), except that any claim made against Seller pursuant to this warranty shall be made by Buyer only. Seller shall not be bound by this Section 10 to satisfy a claim under this Section made against Seller by a Transferee, whether such Transferee is a direct or indirect Transferee of Buyer, Buyer shall provide any Transferee of a Product or Software written conspicuous notice of Sections 10 and 11 hereof. (6) Exceptions. Supplement B to these Terms and Conditions lists Seller Products, parts, Services and Software for which Seller's warranties vary from the warranties set forth in this subsection 10(a). (b) Remedies. (1) Products. If, prior to expiration of the warranty period set forth in subsection 10(a)(1), above, any Products shall be proved to Seller's satisfaction to be defective or nonconforming with the warranty set forth therein, Seller will repair or replace such defective Products or components thereof, FCA Seller's factory, warehouse or other facility that Seller designates at its discretion as point of shipment from time to time (Incoterms® 2010), or will refund or provide Buyer with a credit in the amount of the purchase price paid therefor by Buyer, at Seller's sole option. Buyer's exclusive remedy and Seller's sole obligation under this warranty shall be limited to such repair or replacement, FCA factory, warehouse or other facility that Seller designates at its discretion as point of shipment from time to time (Incoterms® 2010), or refund or credit by Seller, and shall be conditioned upon Seller's receiving written notice of any defect and/or nonconformance within a reasonable period of time, but in no event more than thirty (30) days, after it was discovered or by reasonable care should have been discovered. All claims not made in writing and received by Seller within such thirty (30) day period shall be deemed waived. In no event shall Seller's liability for such defective or nonconforming Products exceed the purchase price paid by Buyer for such Products. With prior approval from Seller, Buyer shall return the alleged defective Product or part, freight prepaid, for Seller's inspection, and no other Products shall be returned to any Seller office, factory, warehouse, authorized service center or other facility, without Seller's written consent. (2) Repaired and/or Replacement Products and/or Parts of Products. If prior to the expiration of the applicable warranty period set forth in subsection 10(a)(2) above, any replacement Products and/or parts of Products shall be proved to Seller's satisfaction to be defective or nonconforming with the warranty set forth therein, the remedy set forth in subsection 10(b)(1) above shall apply to such replacement Products and/or parts of Products. (3) Services. If, prior to expiration of the warranty period set forth in subsection 10(a)(3), above, any Services shall be proved to Seller's satisfaction to be nonconforming with the warranty set forth therein, Seller will re-perform such nonconforming Services. If the Services cannot be re-performed, Seller, at its option, shall refund or credit monies paid by Buyer for such nonconforming Services. (4) Software. If, prior to expiration of the warranty period set forth in subsection 10(a)(4) above, (i) Buyer provides, in writing, a complete description of the claimed nonconformance in the Software, and (ii) the Software is proven to Seller's satisfaction to be so nonconforming with the warranty set forth therein, Seller will correct the nonconformance by, at its option: (i) modifying or making available to Buyer instructions for modifying the program causing such nonconformance, or (ii) making available a corrected or replacement program FCA Seller's factory, warehouse or other facility that Seller designates at its discretion as point of shipment from time to time (Incoterms® 2010). (c) Exclusions - The warranties set forth in this Section 10 do not cover: (1) shipping expenses to and from Seller's office, factory, warehouse, authorized service center or other destination designated by Seller for repair or replacement of defective Products or any tax, duty, custom, inspection or

testing fee, or any other charge of any nature related thereto; (2) costs of removing defective Products from, and/or disassembling, equipment in which Products are assembled or reinstalling Products and/or reassembling such equipment, or testing repaired or replaced Products and/or the equipment; (3) field service travel and living costs and expenses; (4) Products subjected to abuse, neglect, negligence, misuse, misapplication, accident, damages by circumstances beyond Seller's control, improper installation (if by anyone other than Seller), improper operation (including, but not limited to, operation in excess of rated capacity or otherwise not in accordance with installation, maintenance, or operating instructions or requirements) improper maintenance, improper storage, and/or any other than normal use or service; (5) Products maintained, serviced, repaired or altered by anyone other than Seller or Seller's authorized service agencies; (6) Products and/or parts not manufactured by Seller; for Products furnished by Seller, but manufactured by others, Seller will assign to Buyer the written warranty, if any, of the manufacturer, if assignment is reasonably practicable; however, Seller does not adopt or guarantee or represent that the manufacturer will comply with any of the terms of the warranty of such manufacturer; but, in no event shall Seller's obligations be greater than those provided under Seller's warranty set forth in this Section 10; and/or (7) failures of the Software to be interruption-free or error-free or to meet Buyer's or any other party's requirements; and, problems caused by use of the Software in conjunction with third-party software, hardware, or products. (d) DISCLAIMER: THE FOREGOING WARRANTIES ARE IN LIEU OF ALL OTHER EXPRESS AND IMPLIED WARRANTIES, ARISING BY OPERATION OF LAW OR OTHERWISE, INCLUDING, WITHOUT LIMITATION, THE IMPLIED WARRANTIES OF MERCHANTABILITY AND FITNESS FOR A PARTICULAR PURPOSE, WHETHER OR NOT THE PURPOSE OR USE HAS BEEN DISCLOSED TO SELLER IN SPECIFICATIONS, DRAWINGS, OR OTHERWISE AND WHETHER OR NOT SELLER'S PRODUCTS ARE SPECIFICALLY DESIGNED AND/OR MANUFACTURED BY SELLER FOR BUYER'S USE OR PURPOSE. NO EMPLOYEE, REPRESENTATIVE, OR AGENT OF SELLER OTHER THAN AN OFFICER OF SELLER IS AUTHORIZED TO ALTER OR MODIFY ANY PROVISION OF THIS SECTION 10 OR TO MAKE ANY GUARANTEE, WARRANTY, OR REPRESENTATION, EXPRESS OR IMPLIED, ORALLY OR IN WRITING, WHICH IS CONTRARY TO THE FOREGOING. Except where Buyer and Seller agree in a written and signed agreement upon the specifications applicable to the Products, Software, and/or Services, any description of the Products, Software, and/or Services, whether in writing or made orally by Seller or Seller's agents, specifications, samples, models, bulletins, drawings, diagrams, engineering sheets or similar materials used in connection with Buyer's order are for the sole purpose of identifying the Products and shall not be construed as an express or implied warranty. Any suggestions by Seller or Seller's agents regarding use, application or suitability of the Products shall not be construed as an express or implied warranty unless confirmed to be such in writing by Seller's authorized officer.

11. LIMITATIONS OF REMEDY AND LIABILITY: (a) Breach of Warranty Claims. Buyer's only remedy for breach of any warranty under the Contract, other than the warranty provided under Section 13 "Intellectual Property Indemnity," shall be the applicable remedy set forth in Section 10 "Limited Warranty" above. Seller's total liability for any and all breach of warranty claims under the Contract shall not exceed the purchase price allocable to the Product, Software or Service or part thereof which gives rise to the claim. (b) Other Claims. Seller's liability for any claim other than a breach of warranty claim under Section 10 "Limited Warranty," whether in contract, negligence, tort, strict liability, indemnity or otherwise for any loss or damage arising out of, connected with, or resulting from the Contract or the performance or breach thereof, or from the design, manufacture, sale, delivery, resale, repair, replacement, installation, technical direction of installation, inspection, operation or use of any Products covered by or furnished under the Contract or from Services rendered under the Contract, shall in no case (except as provided in Section 13 "Intellectual Property Indemnity") exceed five percent (5%) of the purchase price allocable to the Products or part thereof or Services giving rise to the claim. (c) CONSEQUENTIAL DAMAGE DISCLAIMER. SELLER SHALL NOT BE LIABLE FOR AND DISCLAIMS ALL CONSEQUENTIAL, INCIDENTAL, CONTINGENT, SPECIAL OR PUNITIVE DAMAGES WHATSOEVER. Seller shall not be liable for lost profits or revenues, loss of use of the Products, Software or any related equipment or systems, cost of capital, cost of substitute products, cost of facilities or services, business interruption, downtime, shutdown, or slowdown costs, any other types of economic loss, penalties, special or punitive damages, and claims of Buyer's customers for any such damages. (d) Expiration of Claims. All claims against Seller arising out of or related to the Contract or the performance or breach thereof shall expire unless made and presented to Seller in writing by Buyer before expiration of the applicable warranty period. (e) Precedence. The limitations of this Section shall apply regardless of whether a claim is based in contract, tort (including negligence), warranty, strict liability, intellectual property, or otherwise, and shall take precedence over any conflicting terms and conditions, except where the limitations of liability of such conflicting terms limit Seller's liability further.

12. INDEMNITY: (a) Third party claims. Each of Buyer and Seller (each an "Indemnified Party" and an "Indemnifying Party") shall indemnify the other party from and against claims brought by a third party, for bodily injury or damage to the third party's tangible property, to the extent such injury and/or damage is caused by the negligence of the Indemnifying Party, provided that the Indemnified Party gives the Indemnifying Party prompt notice of any such claim and all necessary information and assistance so that the Indemnifying Party, at its option, may defend or settle such claim and the Indemnified Party does not take any adverse position in connection with such claim. In the event that the injury or damage is caused by joint or concurrent negligence of Buyer and Seller, the loss or expense shall be borne by each party in proportion to its degree of negligence. For purposes of Seller's indemnity obligations hereunder, Products shall not be considered third party property and the facility in which a Product or Software is used and/or the Services are performed shall not be considered third party property. (b) Indemnity by Buyer for Third Party Warranty Claims. If Buyer supplies Products or Services to a third party, uses Products or Services at a facility owned by a third party, and/or transfers Products and/or Software to a third party, Buyer shall indemnify and defend Seller from and against any and all claims by, and liability to, any such third party in excess of the limitations set forth in Sections 10 "Limited Warranty" and 11 "Limitations of Remedy and Liabilities." For purposes of this subsection (b), "Seller" means Seller, its affiliates, suppliers, contractors, licensors and their employees.

13. INTELLECTUAL PROPERTY INDEMNITY: Seller warrants that, to the best of its knowledge, Products, Services and/or Software furnished hereunder, and any part thereof, (each a "Delivered Item") shall be delivered free of any rightful claim of any third party not affiliated with Buyer for infringement of any U.S. patent, any trademark

registered in the U.S. Patent and Trademark Office and/or any copyright registered in the U.S. Copyright Office. Seller will, at its own expense, defend or settle any suits that may be instituted against Buyer for alleged infringement by the Delivered Item of any U.S. patent, any trademark registered in the U.S. Patent and Trademark Office and/or any copyright registered in the U.S. Copyright Office provided that: (a) such alleged infringement consists of the use of the Delivered Item for (i) any of the purposes for which Buyer informed Seller such Delivered Items would be used, or (ii) if Buyer did not so inform Seller, any of the purposes for which Buyer reasonably believed such Delivered Items would be used; (b) Buyer shall have made all payments for such Delivered Items then due hereunder; (c) Buyer shall give Seller immediate notice in writing of any such suit and transmit to Seller immediately upon receipt of all processes and papers served upon Buyer; (d) Buyer does not take any position adverse to Seller in connection with such claim; and (e) Buyer shall permit Seller through Seller's counsel, either in the name of Buyer or in the name of Seller, to defend such suit(s) and give all needed information, assistance and authority to enable Seller to do so.

In case of a final award of damages in any such suit, Seller will pay such award but will not be responsible for any compromise or settlement made without its written consent. In case the Delivered Item itself is in such suit held to infringe any valid patent issued in the United States and/or a trademark and/or copyright registered in the United States, and its use is enjoined, or in the event of a settlement or compromise approved by Seller which shall preclude future use of the Delivered Item, Seller shall, at its own expense and at its sole option, either: (a) procure rights to continue using such Delivered Item; (b) modify the Delivered Item to render it non-infringing; (c) replace the Delivered Item with a non-infringing Product and/or Software; or (d) refund the purchase price paid by Buyer for the Delivered Item after return of the Delivered Item to Seller (less reasonable depreciation for any period of use). Notwithstanding the foregoing, Seller shall not be held responsible for claims of infringement of any patents covering the use of the Delivered Item in combination with other goods or materials not furnished by Seller.

The foregoing states the entire liability of Seller for intellectual property infringement, and IN NO EVENT SHALL SELLER BE LIABLE FOR CONSEQUENTIAL OR INCIDENTAL DAMAGES ATTRIBUTABLE TO AN INTELLECTUAL PROPERTY INFRINGEMENT. Buyer, at its own expense, shall defend Seller against, and/or settle, (a) any patent, trademark, copyright or other intellectual property infringement claim pertaining to a Delivered Item furnished by Seller to Buyer manufactured in accordance with designs, drawings or other descriptions proposed or furnished by Buyer; and (b) any claim against Seller of contributory infringement resulting from the use or resale by Buyer of a Delivered Item sold hereunder. Buyer shall indemnify Seller for any award against Seller or settlement by Seller regarding any such claims and attorneys' fees and defense costs incurred in defense of such claims.

14. SOFTWARE LICENSE: (a) License Grant: Seller grants Buyer a nonexclusive, royalty-free, perpetual, limited license to use the Software in the U.S. and solely in conjunction with (a) the operation of the Products purchased and sold under the Contract and/or other product meeting Seller's specifications; and (b) any other purpose agreed upon in a written and signed agreement between Buyer and Seller. (b) Scope of License: Upon Seller's prior written approval, Buyer may make a reasonable number of copies of Software as necessary for backup, configuration, installation, and restoration of the Products. Also upon Seller's prior written approval, Buyer may authorize a third-party contractor or service provider to exercise these rights on Buyer's behalf and for Buyer's benefit. Buyer may transfer possession of Software and its media to another party only in conjunction with the transfer of the Products on which the Software is loaded and only upon agreement of the other party to the terms and conditions of the Contract. Upon such transfer, Buyer shall destroy all Buyer's copies of Software and related documentation. All licenses and grants pursuant to the Contract shall immediately terminate once Buyer no longer rightfully owns or possesses the Products. No other rights under this license are granted. Upon Seller's request, Buyer shall provide Seller with written notice of any such transfer providing the name, address, and contact information of the subsequent Buyer within 15 days of such transfer. (c) Use Restrictions: Buyer shall not (a) copy, display, transfer, adapt, modify, or distribute in any form the Software except as set forth in the Contract or in Seller documentation provided by Seller to Buyer with the Software; (b) reverse engineer, disassemble, decompile, or otherwise translate the Software's object code, unless expressly permitted by applicable law without the possibility of contractual waiver; or (c) sublicense or lease the Software or any copy thereof except with the transfer of the Products on which the Software is loaded. Except as provided under the terms of Seller's standard escrow agreement between Seller and Buyer, if applicable, Buyer shall not make available to any party, without prior written consent from Seller or its authorized agent, source code for the Software. Buyer shall not, directly or indirectly, export or re-export, or knowingly permit the export or re-export of, the Products, or any technical information about the Products, to any country for which the United States Export Administration Act, any regulation thereunder, or any similar United States law or regulation, requires an export license or other United States Government approval, unless Buyer obtains the appropriate export license and obtains written approval from Seller. (d) Maintenance and Support: Seller may offer to Buyer the option to purchase from Seller annual Software maintenance and support services under the terms and conditions of Seller's then-standard maintenance and support agreement. Buyer may renew this maintenance term at Seller's then-current maintenance rates. In the event Buyer purchases additional Software licenses, maintenance fees for such licenses shall be prorated to be coterminous with Buyer's existing maintenance period. In no event shall Seller be responsible for providing maintenance services for a period during which maintenance coverage is lapsed.

15. SECURITY AGREEMENT AND FINANCING STATEMENTS: As security for payment of the purchase price under the Contract, Buyer hereby irrevocably grants Seller a security interest in the Products purchased by Buyer, together with all accessories, attachments and replacement parts and all substitutions, replacements and proceeds thereof to secure payment of the purchase price and of all monies which may be due under the Contract. Buyer hereby authorizes Seller to file all financing statements, any amendments and continuations thereof, or any other documents necessary or reasonably required, for the perfection and protection of a security interest under applicable law, and to deliver notice to prior holders of security interests, of Seller's security interest in the Products to protect its interest.

16. INSURANCE: Until payment in full of the purchase price, Buyer shall maintain insurance covering all Products sold by Seller to Buyer in such amounts and against such risks as is customary by companies engaged in the same or similar business and similarly located, and shall, upon Seller's request, furnish evidence of such insurance satisfactory to Seller.

17. DRAWINGS; OTHER DESIGN DATA: All specifications, drawings, designs, data, information, ideas, methods, product samples, tools, gages, dies, fixtures, patterns and/or inventions made, conceived, developed or acquired by Seller in connection with procuring and/or executing the Contract will vest in and inure to Seller's sole benefit notwithstanding any charges therefor which may have been or may be imposed by Seller on Buyer. Buyer shall not give, loan, exhibit, sell or transfer to any person who is not a Buyer employee and authorized to receive such information, or to any organization or entity, any drawing, photograph, specification or product sample furnished by Seller or reproduction thereof which may enable such person, organization or entity to furnish similar products or parts therefor.

18. RETURN OF PRODUCTS: No Product or part shall be returned to Seller without written authorization and shipping instructions first having been obtained from Seller.

19. ASSIGNMENT AND SUBCONTRACTING: None of Buyer's rights under the Contract shall be assigned by Buyer to any other person, whether by operation of law or otherwise, without Seller's prior written approval. Seller may, without the necessity of obtaining Buyer's prior written consent, assign the Contract or subcontract the production of all or any portion of the Products and/or performance of the Services.

20. CANCELLATION: No purchase order submitted to Seller may be cancelled by Buyer without the prior written consent of Seller, which consent will at all times be conditioned on Buyer's agreement to pay Seller's cancellation charge. For a finished Product that, in Seller's judgment, is readily resalable to others, the cancellation charge shall be 15% of the invoice price of the Product. For all other cancellations, the cancellation charge shall amount to all cost and expenses incurred by Seller and arising out of or in connection with Buyer's purchase order plus reasonable profit. In no event shall the cancellation charge be less than 10% of the invoice price of the Product or more than the invoice price.

21. HIGH RISK APPLICATION USE DISCLAIMER: PRODUCTS AND SERVICES SOLD BY SELLER ARE NOT INTENDED FOR USE IN CONNECTION WITH ANY NUCLEAR FACILITY OR ACTIVITY, CRITICAL SAFETY SYSTEM, MEDICAL DEVICE, MILITARY DEVICE, SATELLITE, AVIATION EQUIPMENT, AIR TRAFFIC CONTROL EQUIPMENT, OR OTHER HIGH RISK APPLICATIONS (COLLECTIVELY, "HIGH RISK APPLICATIONS"). SELLER SHALL NOT USE OR PERMIT OTHERS TO USE PRODUCTS OR SERVICES FOR SUCH HIGH RISK APPLICATIONS WITHOUT SELLER'S PRIOR WRITTEN CONSENT. IF SO USED WITHOUT SELLER'S PRIOR WRITTEN CONSENT, SELLER DISCLAIMS ALL LIABILITY FOR ANY DAMAGE, INJURY OR CONTAMINATION, AND BUYER SHALL INDEMNIFY AND HOLD SELLER, ITS OFFICERS, AGENTS, EMPLOYEES, SUCCESSORS, ASSIGNS AND CUSTOMERS HARMLESS FROM AND AGAINST ANY AND ALL SUCH LIABILITY. SELLER'S CONSENT, IF ANY, WILL BE CONDITIONED UPON ADDITIONAL TERMS AND CONDITIONS ACCEPTABLE TO SELLER.

22. GOVERNING LAW; VENUE: These Terms and Conditions and the Contract shall be governed by and construed in accordance with the laws of the State of Wisconsin. Seller and Buyer irrevocably submit to the exclusive jurisdiction of the state courts located in Rock County, State of Wisconsin and the federal courts located in the State of Wisconsin, and Seller and Buyer waive any objection to venue or forum non conveniens, for the resolution of any dispute relating to these Terms and Conditions or the Contract. The rights and obligations of Seller and Buyer shall not be governed by the provisions of the United Nations Convention on Contracts for the Internal Sale of Goods.

23. EXPORT/IMPORT: Buyer shall comply, in the receipt and use of the Products and the Software, with all applicable import and export control laws, regulations, orders and requirements of the jurisdictions in which the Seller and Buyer are established or from which Products and Software are provided. Buyer shall not transfer, release, import, or export Products and/or Software in violation of such applicable laws, regulations or other legal requirements. Buyer shall provide a completed end-user certification in a form satisfactory to Seller upon Seller's request.

24. ATTORNEYS' FEES: Buyer agrees to pay all of Seller's costs and expenses of collection and related litigation, including but not limited to attorneys' fees and costs.

25. SALVATORY CLAUSE: The invalidity, in whole or in part, of any of the provisions of these Terms and Conditions, shall not affect the enforceability of any of the other provisions thereof.

26. APPLICABILITY: These Terms and Conditions as stated herein are applicable as of the date of this printing and until such time as changed by Seller.

For the full version of the Terms and Conditions of Sales with Supplements A and B -
Visit <http://www.regalbeloit.com/what-we-do/products-brands/>

Regal STCS Rev 5-14

STANDBY WARRANTY POLICY

TERMS & CONDITIONS OF SALE SUPPLEMENT B – Limited Warranty-Exceptions: The following table sets forth substitute language for Section 10(a) (1) "Products" applicable to certain Products of certain business units. If products are standby generators, substitute section 10(a)(1) with the following: Seller warrants that the Products shall be delivered free from defects in material, workmanship and title and shall conform to Seller's written specification agreed upon by Buyer and Seller in a written and signed agreement, if applicable, for the Products. This warranty shall expire twenty-four (24) months from first use of the Product, thirty (30) months from date of manufacture of the Product, or upon one thousand (1000) hours in use of the Product, whichever occurs first.

Freight Policy

All prices are quoted F.O.B. Monterrey, Mexico; or Pharr, TX; or Wausau, WI; or Indianapolis, IN; dependent upon plant of manufacture. Customers may use any one of the following methods:

- Pick up generators at our plant of manufacture on their own carrier
- Allow us to ship the generators freight collect
- Allow us to ship via our carriers

Marathon will ship the generator on our approved corporate freight carriers at the following percentage (%) adders applied to the net generator and accessory price:

Alabama 6%	Indiana 6%	Nebraska 6%	South Carolina 6%
Alaska . . . refer to factory	Iowa 6%	Nevada 6%	South Dakota 6%
Arizona 6%	Kansas 6%	New Hampshire 6%	Tennessee 6%
Arkansas 6%	Kentucky 6%	New Jersey 6%	Texas 6%
California 6%	Louisiana 6%	New Mexico 6%	Utah 6%
Colorado 6%	Maine 6%	New York 6%	Vermont 6%
Connecticut 6%	Maryland 6%	North Carolina 6%	Virginia 6%
Delaware 6%	Massachusetts 6%	North Dakota 6%	Washington 6%
Florida 6%	Michigan 6%	Ohio 6%	West Virginia 6%
Georgia 6%	Minnesota 6%	Oklahoma 6%	Wisconsin 6%
Hawaii . . . refer to factory	Mississippi 6%	Oregon 6%	Wyoming 6%
Idaho 6%	Missouri 6%	Pennsylvania 6%	Eastern Canada 6%
Illinois 6%	Montana 6%	Rhode Island 6%	Western Canada 6%

Need a generator in a hurry?

Ask for our ONE DAY SERVICE (\$200 Net Adder Per Generator)

- 1) Generator must be in stock and be ordered with standard adaption, standard voltage regulator, and standard primer paint overcoat.
- 2) Customer must have pre-approved credit with Marathon Generators, or request C.O.D. shipment.
- 3) Orders must be phoned in to Wausau by 12:00 p.m. Central Time to allow the generator to ship the next business day.
- 4) Complete adaption, regulator, regulator nameplate data and shipping information must be received at the time of order entry.



IMPORTANT INFORMATION



Please Read Carefully

This catalog is not intended to provide operational instructions. Appropriate Marathon instructions provided with the generator and precautions attached to the generator should be read carefully prior to installation, operations and/or maintenance of the equipment. Injury to personnel or generator failure may be caused by improper installation, maintenance or operation.

The following **WARNING** and **CAUTION** information is supplied for your protection and to provide you with many years of trouble free and safe operation of your Marathon generator.

WARNING

- Buyer shall be solely responsible for determining the adequacy of the product for any and all uses to which Buyer shall apply the product. The application by Buyer shall not be subject to any implied warranty of fitness for a particular purpose.
- For safety, Buyer or User should provide protective guards over all shaft extensions and any moving apparatus mounted thereon. The User is responsible for checking all applicable safety codes in his area and providing suitable guards. Failure to do so may result in bodily injury and/or damage to equipment.
- Hot oil can cause severe burns. Use extreme care when removing lubrication plugs.
- Disconnect power and lock out drive equipment before working on a generator.
- Always keep hands and clothing away from moving parts.
- The lifting eyes on the generator are not to be used to lift the entire generator set. Only the generator may be safely lifted by the lifting eyes. Do not use the conduit box for lifting or support of the generator.
- Install and ground the generator per local and national codes.
- Discharge all capacitors before servicing the generator.
- Misapplication of a generator in a hazardous environment can cause fire or an explosion and result in serious injury.
- Never attempt to measure the temperature rise of a generator by touch. Temperature rise must be measured by thermometer, resistance, imbedded detector or thermocouple.
- Operation of a generator at higher than its nameplate ratings may result in fire, damage to equipment or serious injury to personnel.
- Do not apply any force to the generator fan when rotating the generator rotor.

CAUTION

- Mounting bolts should be routinely checked to ensure that the unit is firmly anchored for proper operation.
- Consult qualified personnel with questions. All electrical repairs must be performed by trained and qualified personnel only.
- Generators should not be operated faster than their rated speed.
- For inverter applications, follow the inverter manufacturer's installation guidelines.
- Make sure the generator is properly secured and aligned before operation.
- When installing the generator, insure that loose parts or tools do not fall inside the generator.
- When connecting the generator, be sure to follow the correct wiring diagram for the desired voltage. Insure that the voltage regulator is connected per the wiring diagram.

RESALE OF GOODS

In the event of the resale of any of the goods, in whatever form, Resellers/Buyers will include the following language in a conspicuous place and in a conspicuous manner in a written agreement covering such sale:

The manufacturer makes no warranty or representations, express or implied, by operation of law or otherwise, as to the merchantability or fitness for a particular purpose of the goods sold hereunder. Buyer acknowledges that it alone has determined that the goods purchased hereunder will suitably meet the requirements of their intended use. In no event will the manufacturer be liable for consequential, incidental or other damages. Even if the repair or replacement remedy shall be deemed to have failed of its essential purpose under Section 2-719 of the Uniform Commercial Code, the manufacturer shall have no liability to Buyer for consequential damages.

Resellers/Buyers agree to also include this entire document including the cautions and warnings above in a conspicuous place and in a conspicuous manner in writing to instruct users on the safe usage of the product.

This information should be read together with all other printed information supplied by Marathon.

For more information contact: Marathon, Regal Beloit America, Inc., 100 E. Randolph St., Wausau, WI 54401
Phone: 715-675-3359 or Fax: 715-675-8026

Your Independent Power Source

MAGNAPLUS®



kW: 5 to 430 (60 Hertz)
kVa: 5 to 420 (50 Hertz)

LIMA®MAC



kW: 5 to 300 (60 Hertz)

MAGNAMAX^{DVR}®



kW: 140 to 2370 (60 Hertz)
kVa: 140 to 2400 (50 Hertz)

LIMA®MAC Reefer



kW: 15 (60 Hertz)

MAGNAPOWER®



kW: 1425 to 4500 (60 Hertz)
kVa: 1500 to 3100 (50 Hertz)

PANCAKE



kW: 5 to 35 (60 Hertz)

MARINER™ DEP/SS



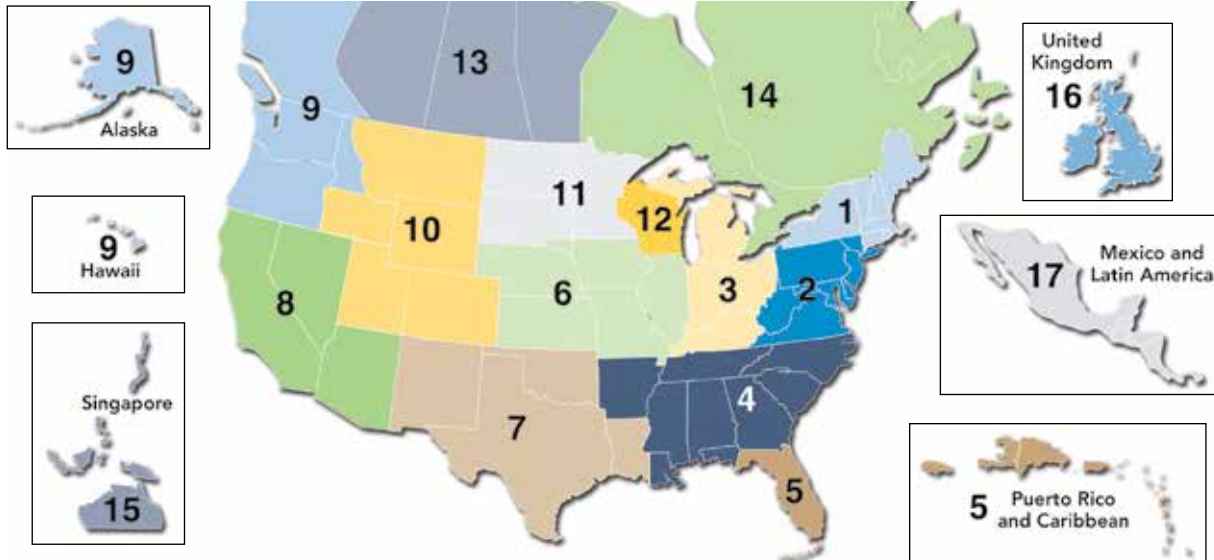
kW: 450 to 2500 (60 Hertz)
kVa: 450 to 2500 (50 Hertz)

PRIMELINE®



kW: 12 to 450 (60 Hertz)

Marathon Generators Sales Team



- | | | | |
|--|---|--|--|
| <p>1 Goodall Industrial Equipment
P.O. Box 354
Natick, MA 01760
Phone: 508/651-2668
Fax: 508/655-3332
E-mail: sales@goodallsales.com</p> | <p>6 Power Source Midwest, Inc.
18 Hawk Ridge Blvd., Ste. 120
Lake St. Louis, MO 63367-1829
Phone: 636/625-4771
Fax: 636/625-4773
E-mail: sales@powersourcemidwest.com</p> | <p>11 Misty Vetterli
Account Manager
P.O. Box 8003
Wausau, WI 54402-8003
Phone: 715/675-8001
Fax: 715/675-8026
Email: misty.vetterli@regalbeloit.com</p> | <p>15 Tho Quach
Director, Far East Sales
Marathon Electric Far East Pte, Ltd.
12 Tuas Loop Singapore 637346
Phone: 65-6266-1851
Fax: 65-6266-3880
Email: tho.v.quach@regalbeloit.com</p> |
| <p>2 FJ Toolan Inc.
1 Revere Ct.
Allentown, NJ 08501
Phone: 609/259-0387
Fax: 609/259-8712
E-mail: jeff@fjtoolan.com</p> | <p>7 EPAC Sales & Service
116 West Harwood Road, Ste. A
Hurst, TX 76054
Phone: 817/485-9383
Fax: 817/281-0712
E-mail: vwalley@epacsales.com</p> | <p>12 Debbie Dahlke
Account Manager
P.O. Box 8003
Wausau, WI 54402-8003
Phone: 715/675-8263
Fax: 715/675-8026
Email: debbie.dahlke@regalbeloit.com</p> | <p>16 Julian Clark
United Kingdom Sales Office
Unit 6 Block F
Market Overton Industrial Estate
Ironstone Lane Market Overton
Oakham Rutland LE15 7TP UK
Phone: 44-[0]-1572-768206*
Fax: 44-[0]-1572-768217*
Email: julian.clark@regalbeloit.com</p> |
| <p>3 Power Component Partners
P.O. Box 482
Medina, OH 44258
Phone: 614/328-9679
Fax: 614/360-3465
E-mail: marella@powercps.com</p> | <p>8 Koller-Nielsen & Assoc., Inc.
18453 Santa Eugenia Street
Fountain Valley, CA 92708
Phone: 714/841-1458
Fax: 714/841-1580
E-mail: knainc@aol.com</p> | <p>13 Greg McGrath
Western Regional Manager
Thomson Power Systems
6030 - 88th Street
Edmonton, AB T6E 6G4 CANADA
Phone: 780/413-1800
Fax: 780/413-1887
E-mail: greg.mcgrath@regalbeloit.com</p> | <p>17 Juan Francisco III Illades Saucedo
Eurique Sada Maguerz no 13-406
Cd Satellite, Naucalpan
Estado De Mexico CP 53100
Phone: 52-55-5374-3779
Email: francisco@swgs.com.mx</p> |
| <p>4 Underwood Sales Co.
2783 Longate Drive
Memphis, TN 38132
Phone: 800/536-4701
Fax: 901/398-6835
Email: sales@uscinc.net</p> | <p>9 S.F. Griggs & Associates, Inc.
16310 Northeast 85th St., Suite 201
Redmond, WA 98052
Phone: 425/869-5867
Fax: 425/869-9797
E-mail: sales@sfggriggs.com</p> | <p>14 Les Agences CMG Inc.
141 Rue Pellerin
St-Barnabé Nord QC
GOX-2K0 CANADA
Phone: 819/840-5725
Email: agencescmg@videotron.ca</p> | <p>Gary Wenzel
Director Global Sales
P.O. Box 8003
Wausau, WI 54402-8003
Phone: 715/675-8171
Fax: 715/675-8026
Email: gary.wenzel@regalbeloit.com</p> |
| <p>5 Davidson Sales Company
839 Bill France Blvd.
Daytona Beach, FL 32117
Phone: 386/274-2079
Fax: 386/274-2279
E-mail: dsc@davidsonsales.com</p> | <p>10 Onsite Power, Inc.
6525 Riviera Way
Aurora, CO 80016
Phone: 303/690-8486
Fax: 303/374-2352
E-mail: dennis.roundtree@comcast.net</p> | | |

*When dialing from outside the U.K., please omit the zero shown after the country code (44).

marathon[™]
Generators

100 East Randolph St. • P.O. Box 8003
Wausau, WI 54402-8003
PH: 715-675-3359
FAX: 715-675-8026

www.marathonelectric.com

A Regal Brand

REGAL

www.regalbeloit.com