

ASCO 185 SERIES AUTOMATIC & MANUALLY OPERATED POWER TRANSFER SWITCHES RATED 100, 200, & 230 AMPERES, 240 VAC, SINGLE PHASE/3 WIRE

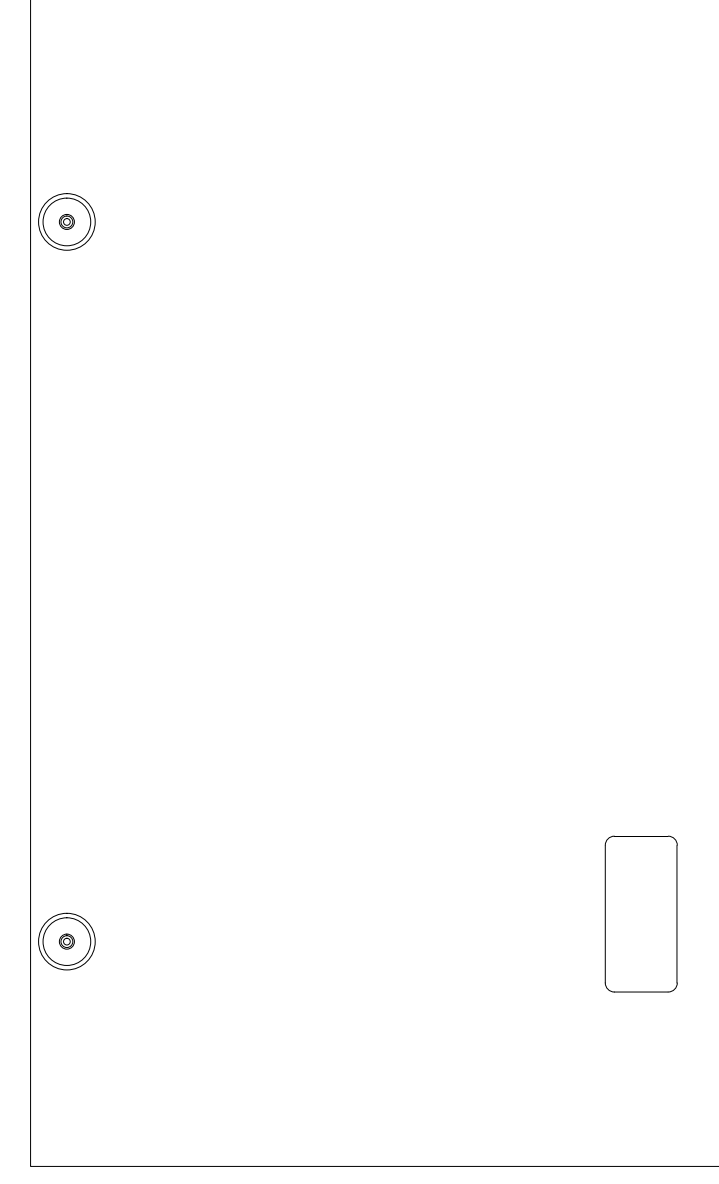
D

C

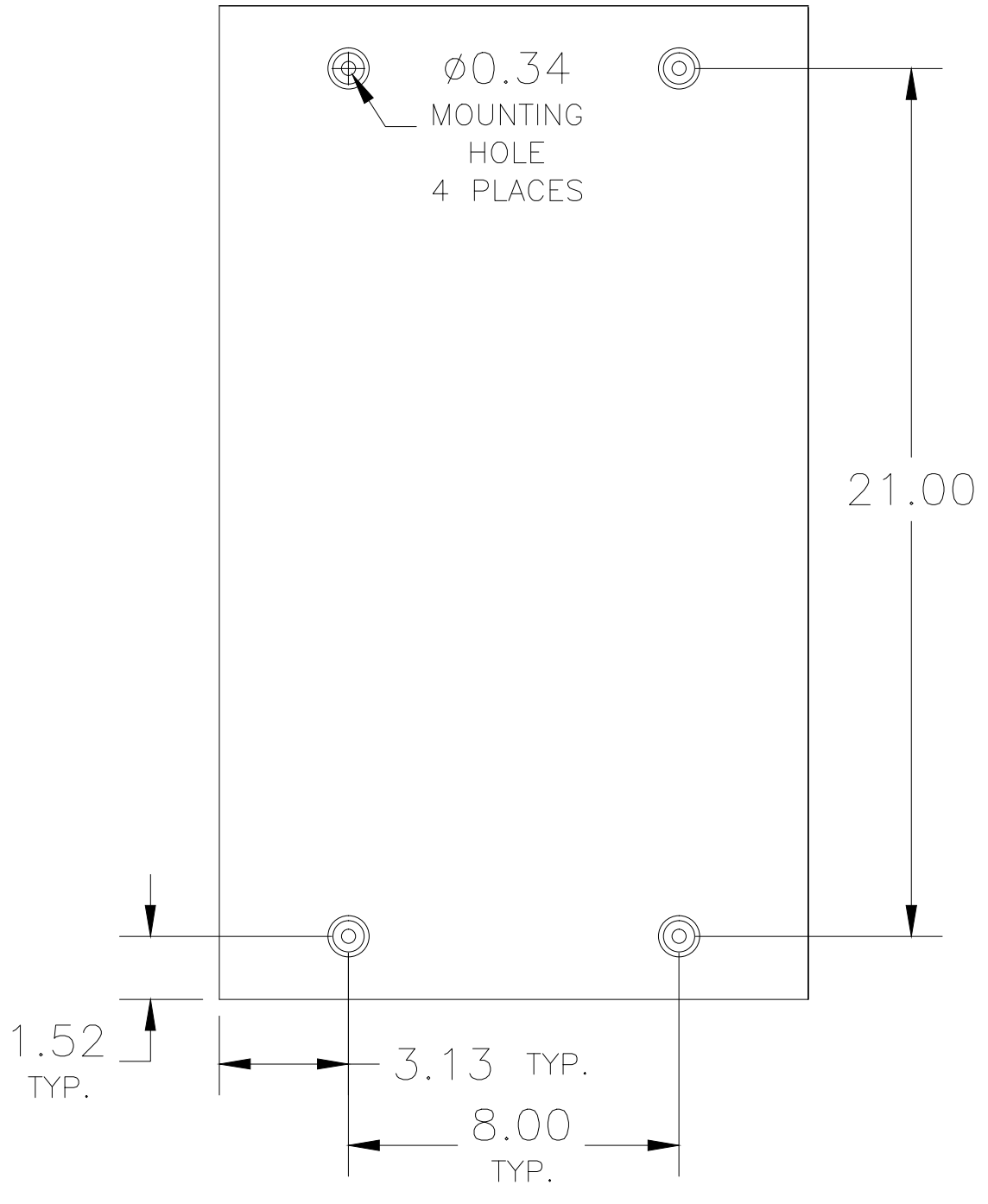
B

A

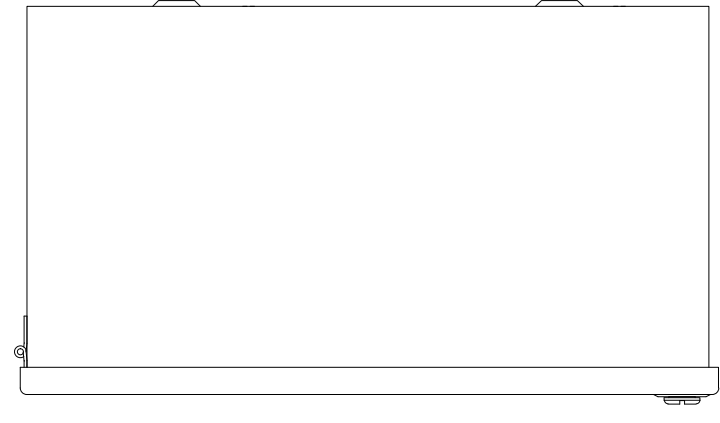
AUTOMATIC TRANSFER SWITCH DOOR REAR VIEW



REAR (ALL UNITS)



TOP (ALL UNITS) WITH DOOR



NOTES:

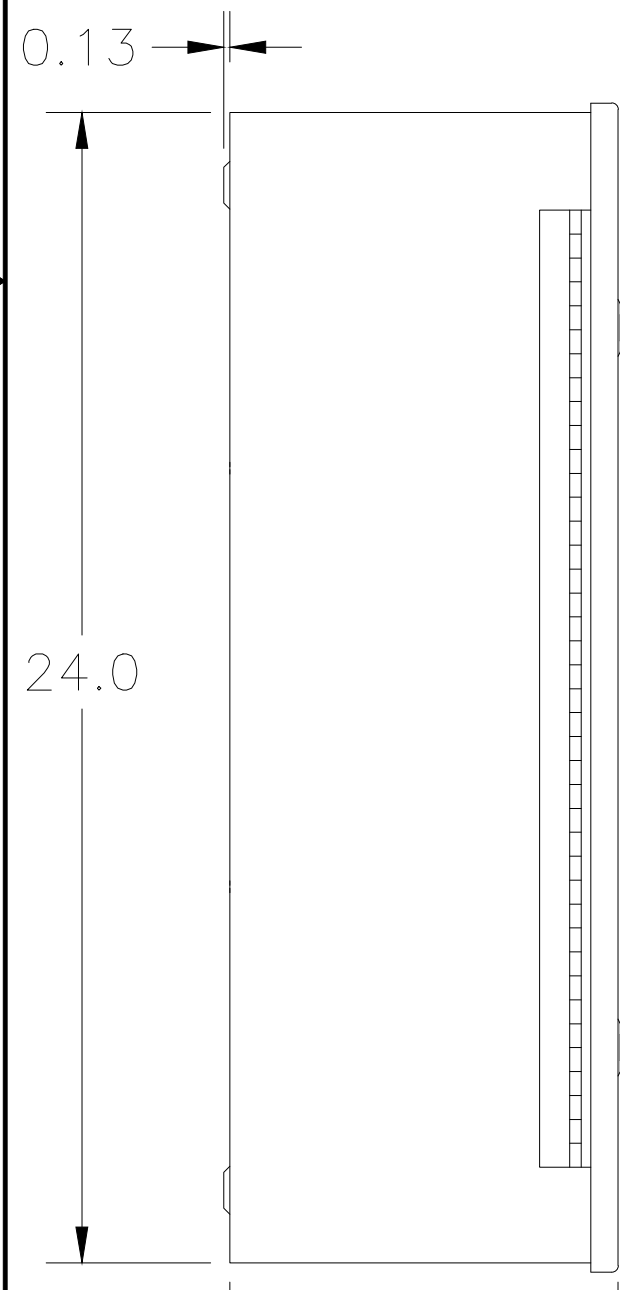
- Automatic & Manually Operated Power Transfer Switch: ASCO D185, 2 pole, 100, 200, & 230 amperes, 240 vac. Listed to UL 1008, Standard for Transfer Switching Equipment. For use on Optional Standby Systems as defined by NFPA 70 (National Electrical Code (NEC), Article 702.
 Transfer Controller (Automatic Type Only) – Group 4 Automatic Transfer Switch Controller including:
 (Refer to 185 Series Operator's Manual, PN 381333-319, supplied with the transfer switch for detailed information)
User Controls & Status Indication
 Load on Preferred Source (Utility) LED indicator – green
 Load on Alternate Source (Generator) LED indicator – red
 Preferred Source (Utility) Acceptable LED indicator – green
 Alternate Source (Generator) Acceptable LED indicator – red
 Automatic Engine-Generator Exerciser (Setting & Engine Running) LED indicator
 Transfer Test membrane pushbutton
 Bypass Time Delay (active time delay or engine-generator exercise period) membrane pushbutton
 Set Engine Exerciser membrane pushbutton
Time Delays
 Override Momentary Preferred Source (Utility) Outages – Factory set at 3 seconds
 Transfer to Alternate Source (Generator) – Factory set at 10 seconds
 Override Momentary Alternate Source (Generator) Outages – Factory set at 4 seconds
 Retransfer to Preferred Source (Utility) – 5 minutes/fixd
 Engine-Generator Unloaded Running (Cooldown) Period – Factory set at 5 minutes
Control Signals
 Engine-Generator Automatic Starting Controls – (1) form C contact
 Load Disconnect Feature – (1) form C contact. Refer to Operator's Manual for detailed explanation of operation.
Remote Controls (Using Customer Supplied Contacts)
 Remote Test Feature
 Remote Test with Automatic Retransfer to Preferred Source (Utility) Feature
 Bypass Time Delay on Retransfer to Preferred Source (Utility) Feature
 External Manual Transfer Operator (Manual Type Only) – Quick Make/Quick Break Operator for manual load transfer. Includes padlocking provision of operating handle.
- Enclosure: Listed to UL 50 Standard for Enclosures for Electrical Equipment. Type 1 Indoor. 14 gauge steel. Finish – RAL 7035 Light Gray Polyester Powder Coating.
- Neutral & Equipment Ground Terminations – Provide for Preferred (Utility) & Alternate (Generator) Sources and Load
- Conductor Sizes – 100 amps: (1) #14 AWG to 4/0 AWG Al or Cu. 200 & 230 amps: (1) #14 AWG to 4/0 AWG Cu ONLY.

D

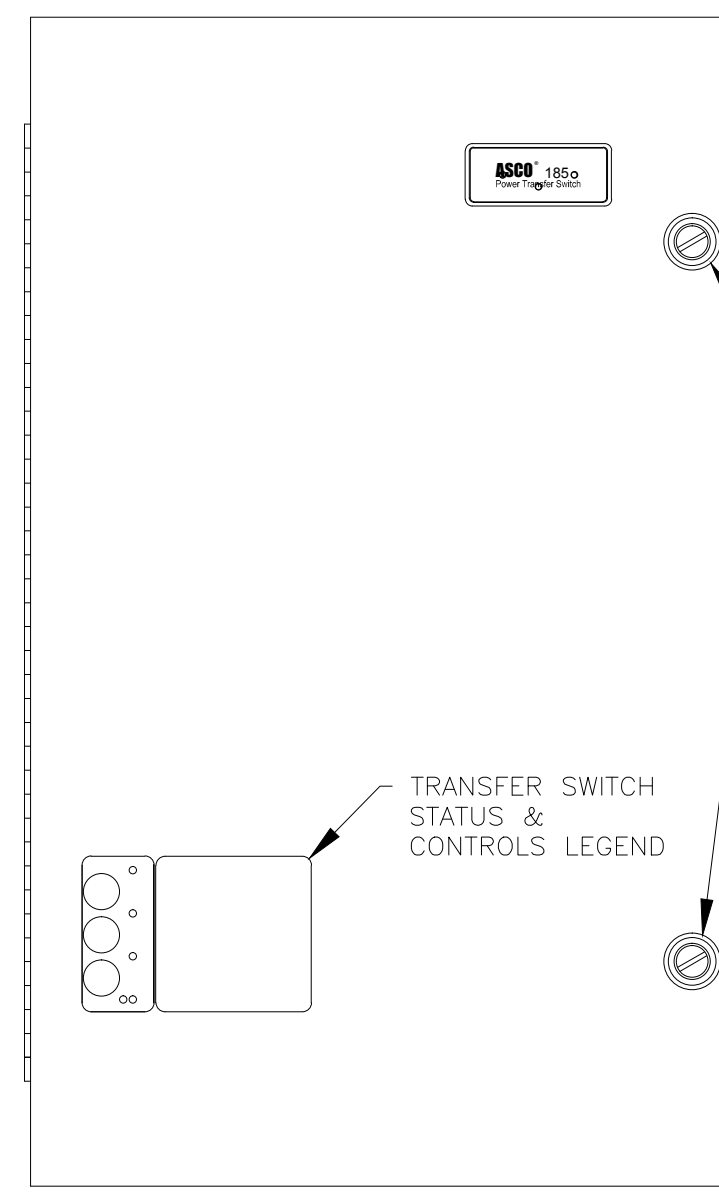
C

B

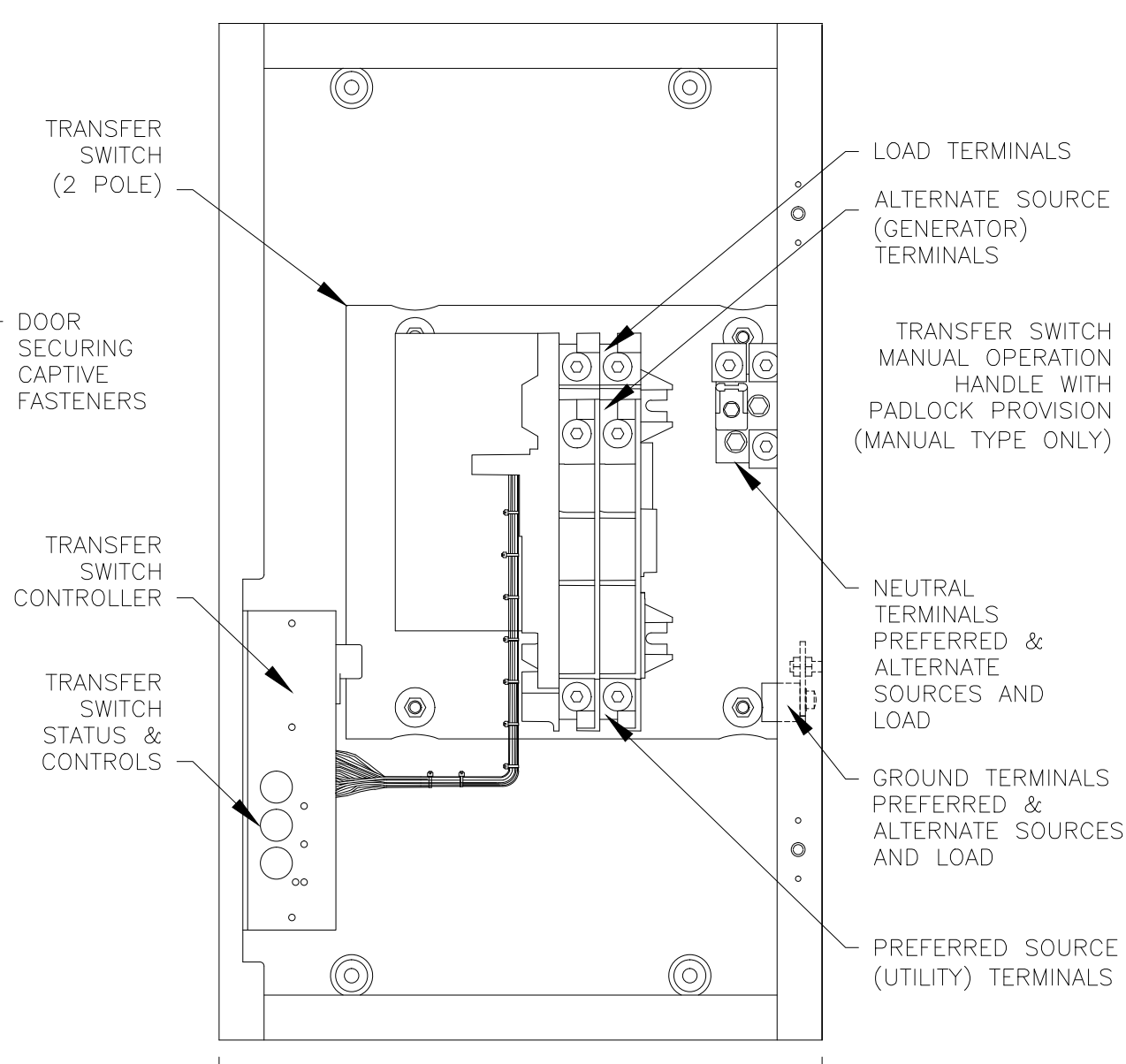
A



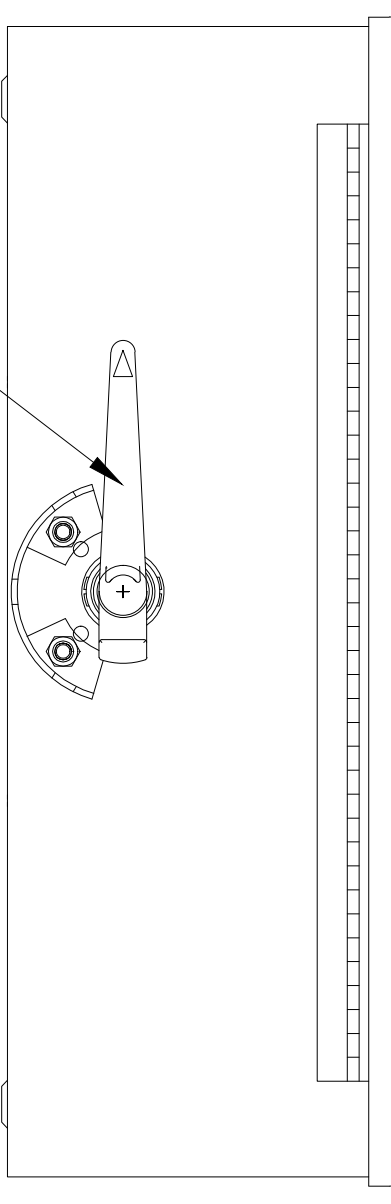
LEFT SIDE AUTOMATIC TRANSFER SWITCH WITH DOOR



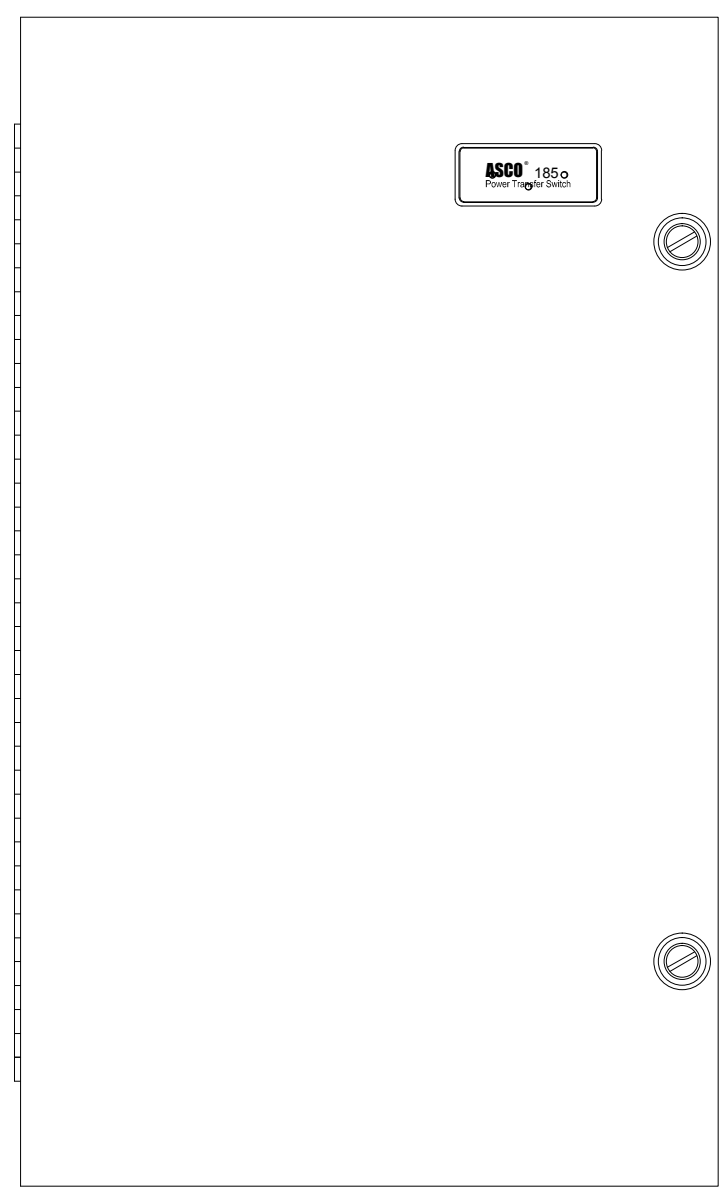
FRONT AUTOMATIC TRANSFER SWITCH WITH DOOR



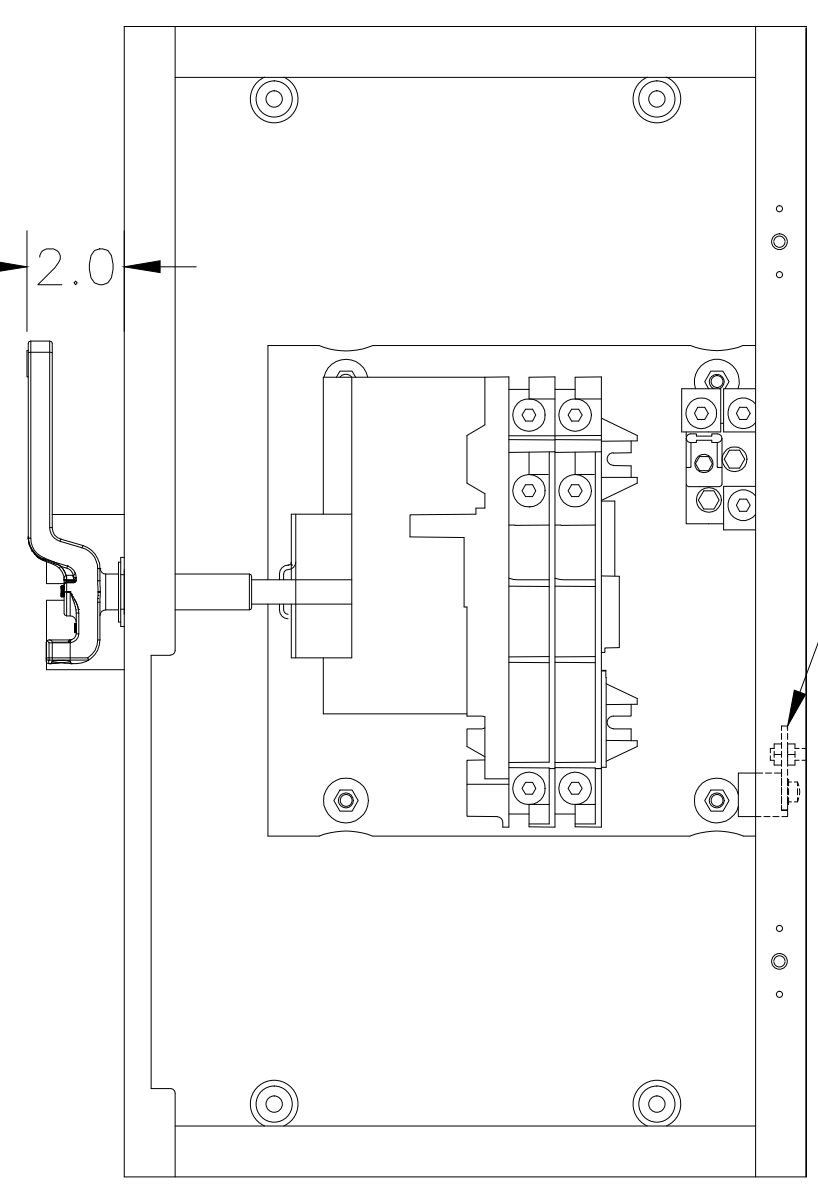
FRONT AUTOMATIC TRANSFER SWITCH WITHOUT DOOR



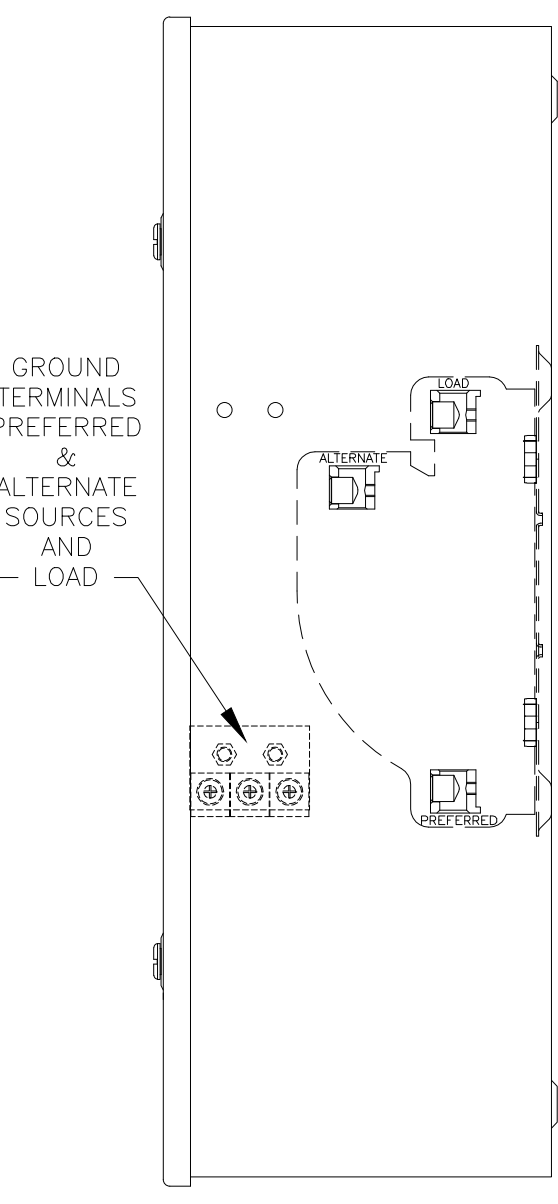
LEFT SIDE MANUALLY OPERATED TRANSFER SWITCH WITH DOOR



FRONT MANUALLY OPERATED TRANSFER SWITCH WITH DOOR

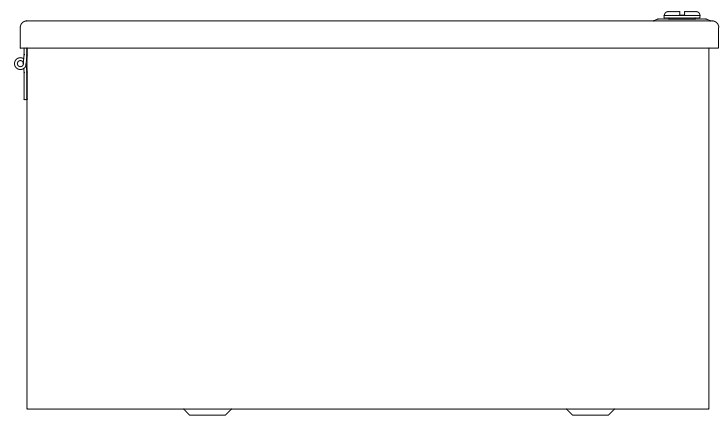


FRONT MANUALLY OPERATED TRANSFER SWITCH WITHOUT DOOR



RIGHT SIDE (ALL UNITS) WITH DOOR

BOTTOM (ALL UNITS) WITH DOOR



F	263624	BWM	SDH	10/11/16
	REMOVE BADGING			
E	238080	DL	JPB	07/19/12
	SEE ECN			
D	234194	BK	JPB	10/17/10
	SEE ECN			
C	224029	JPB	DAJ	8/24/09
	SEE ECN			
B	221452	JPB	JPB	01/19/09
	SEE ECN			
A	220173	BWM	SDH	10/3/08
	SEE ECN			
-	219798	SDH	SDH	9/18/08
	ISSUE			

PROJECT NAME:		185 SERIES	
OUTLINE & MOUNTING		185 SERIES (100, 200, & 230 AMPERES)	
AUTOMATIC & MANUALLY OPERATED TRANSFER SWITCHES			
BY	DATE	MANUFACTURING TOLERANCES TO BE IN ACCORDANCE WITH ASCO PROCEDURE MP-1-003. FOR PLASTIC PARTS SEE MP-1-005	ASSEM. REF. NO.
SDH	9/08		
CHECKED		PROPERTY OF ASCO POWER TECHNOLOGIES. USE PERMITTED FOR OUR WORK ONLY. ALL RIGHTS OF DESIGN OR INVENTION ARE RESERVED.	SCALE 1/4"=1"
PROJECT APPROVAL			SIZE DS
FINAL APPROVAL	SDH	9/08	844557
			COMPUTER GENERATED DRAWING
			DRAWING F REV. ECN NO. 263624 SHEET 1 OF 1