

# Dreame Cordless Vacuum Cleaner User Manual

- The word "dreame" is the abbreviation of Dreame Technology Co., Ltd. and its subsidiaries in China. It is the transliteration of the company's Chinese name " 追觅 ", which means striving for excellence in every endeavor and reflects the company's vision of continuous pursuit, exploration and search in technology.
- Das Wort "dreame" ist die Abkürzung von Dreame Technology Co., Ltd und seinen Tochterunternehmen in China. Es ist die Transliteration des chinesischen Namens " 追觅 " dieser Firma, was für das Streben nach Vollendung steht und die Vision des Unternehmens widerspiegelt, nämlich im Bereich der Technologie unaufhaltsam weiterzustreben, zu erforschen und entdecken.
- Dreame est l'abréviation de l'entreprise chinoise Dreame Technology Co. et ses filiales, qui est la traduction phonétique du nom chinois de l'entreprise, reflétant la vision de l'entreprise qui consiste à poursuivre, explorer et rechercher constamment les avancées technologiques.
- La parola "dreame" è l'abbreviazione dell'azienda Dreame Technology Co., Ltd. e delle sue filiali in Cina. È la traslitterazione del nome cinese dell'azienda " 追觅 ", che dimostra la continua ricerca, esplorazione e visione di ricerca dell'azienda nella tecnologia.
- La palabra "dreame" es la abreviatura de Dreame Technology Co., Ltd. y sus subsidiarias en China. Es la transliteración del nombre chino de "Dreame", que significa luchar por la excelencia en cada esfuerzo y refleja la visión de la compañía de continuamente buscar, explorar e investigar en tecnológas.
- Dreame — сокращённое название китайской компании Dreame Technology Co., Ltd. и ее дочерних предприятий. Dreame является транслитерацией названия компании на китайском языке « 追觅 », в котором отражено корпоративное видение компании в сфере науки и технологий — непрерывный поиск, исследования и стремление к успеху.
- Słowo "dreame" to skrót od Dreame Technology Co., Ltd. i spółek w Chinach. Jest to transliteracja chińskiej nazwy firmy " 追觅 " co oznacza dążenie do doskonałości w każdym przedsięwzięciu, odzwierciedlając wizję firmy, jaką jest ciągłe prowadzenie, odkrywanie i poszukiwania w nauce i technologii.
- دريم هي مؤسسة صينية ويطلق على شركة دريم للتكنولوجيا المحدودة والشركات التابعة لها، وتعكس الترجمة الصوتية للمسمى الصيني " 追觅 " رؤية الشركة للسعي المستمر والاكتشاف والبحث في التكنولوجيا.
- Dreame הינו שמו המקוצר של החברה הישראלית Dreame Technology Co., Ltd. וזוהו תעתיק המבוסס על צליל השם הישראלי " 追觅 " וממחיש בתוכו את חזון החברה לחפש ולדרוך באופן בלתי פוסק בתחום הטכנולוגיה.



For more information, please visit [www.dreame-technology.com](http://www.dreame-technology.com)  
Manufactured by: Dreame Trading (Tianjin) Co., Ltd.  
Made in China

VTN1-EU-A06

dreame

# THANK YOU

FOR PURCHASING THIS DREAME  
VACUUM CLEANER.

---

## Registration Quick Start

Welcome to register a Dreame account  
by scanning the QR code.

You are available for the User Manual  
and Special Offers.



---

With it you are obtaining a high quality product that is engineered for  
optimal performance. If you have any questions on the product, please  
contact us: [aftersales@dreame.tech](mailto:aftersales@dreame.tech).

---

EN	User Manual	1
DE	Benutzerhandbuch	23
FR	Manuel d'utilisation	47
IT	Manuale Utente	70
ES	Manual de usuario	93
RU	Руководство пользователя	116
PL	Instrukcja Obsługi	140
SA	دليل المستخدم	162
HE	מדריך למשתמש	184

## Safety Instructions

To prevent accidents including electric shock or fire caused by improper use, please read this manual carefully before use and retain it for future reference.

### Warning

- This product can be used by children aged from 8 years and above and persons with physical, sensory, intellectual deficiencies, or limited experience or knowledge under the supervision of a parent or guardian to ensure safe operation and to avoid any risk of hazards. Cleaning and maintenance shall not be made by children without supervision.
- The vacuum is not a toy. Children shall not play with or operate this product. Please exercise caution when using the vacuum near children. Do not allow children to clean or maintain the vacuum unless supervised by a parent or guardian.
- Do not use the vacuum outdoors or on wet surfaces. Only use the vacuum on dry indoor surfaces. Do not touch the plug or any part of the vacuum with wet hands.
- To reduce the risk of fire, explosion, or injury, check to make sure the lithium battery and charging adapter are undamaged before use. Do not use the vacuum if either the lithium battery or charger is damaged.
- The multi-brush bar, battery, metal connector pin, and vacuum are electrically conductive and should not be immersed in water or other liquid. Make sure to dry all filters after cleaning.
- Prevent injury caused by moving parts. Turn off the vacuum before cleaning the multi-brush bar. The multi-brush bar, dust compartment and filter must all be properly installed before using the vacuum.
- Only use the original charging adapter. Never use an unoriginal adapter, as this may cause the lithium battery to catch fire.
- Do not use the vacuum to pick up flammable or combustible liquids, such as gasoline, or bleach, ammonia, drain cleaners or other liquids.
- Do not use the vacuum to pick up sharp or hard objects, such as glass, nails, screws, or coins, which may damage the machine. Do not use the vacuum to pick up drywall particles, ashes like fireplace ash, or smoking or burning materials such as coal, cigarette butts or matches.
- Check the area to be cleaned before use. To prevent the openings from being blocked, clear the larger paper, spitball, plastic cloth or sharp objects (such as glass, nails, screws, coins, etc.) and any object which is larger than openings.
- Keep hair, loose clothing, fingers and other parts of the body away from the vacuum's openings and moving parts. Do not point the hose, wand or tools at your eyes or ears or put them in your mouth.
- Do not put any object into the vacuum's openings. Do not use the vacuum with any opening blocked. Keep free of dust, lint, hair, or other items which may reduce airflow.
- Do not rest the vacuum against a chair, table, or other unstable surface, as this may cause damage to the machine or personal injury. If the vacuum becomes damaged

from being knocked over or is otherwise malfunctioning, please contact our authorized service department. Never attempt to disassemble the device on your own.

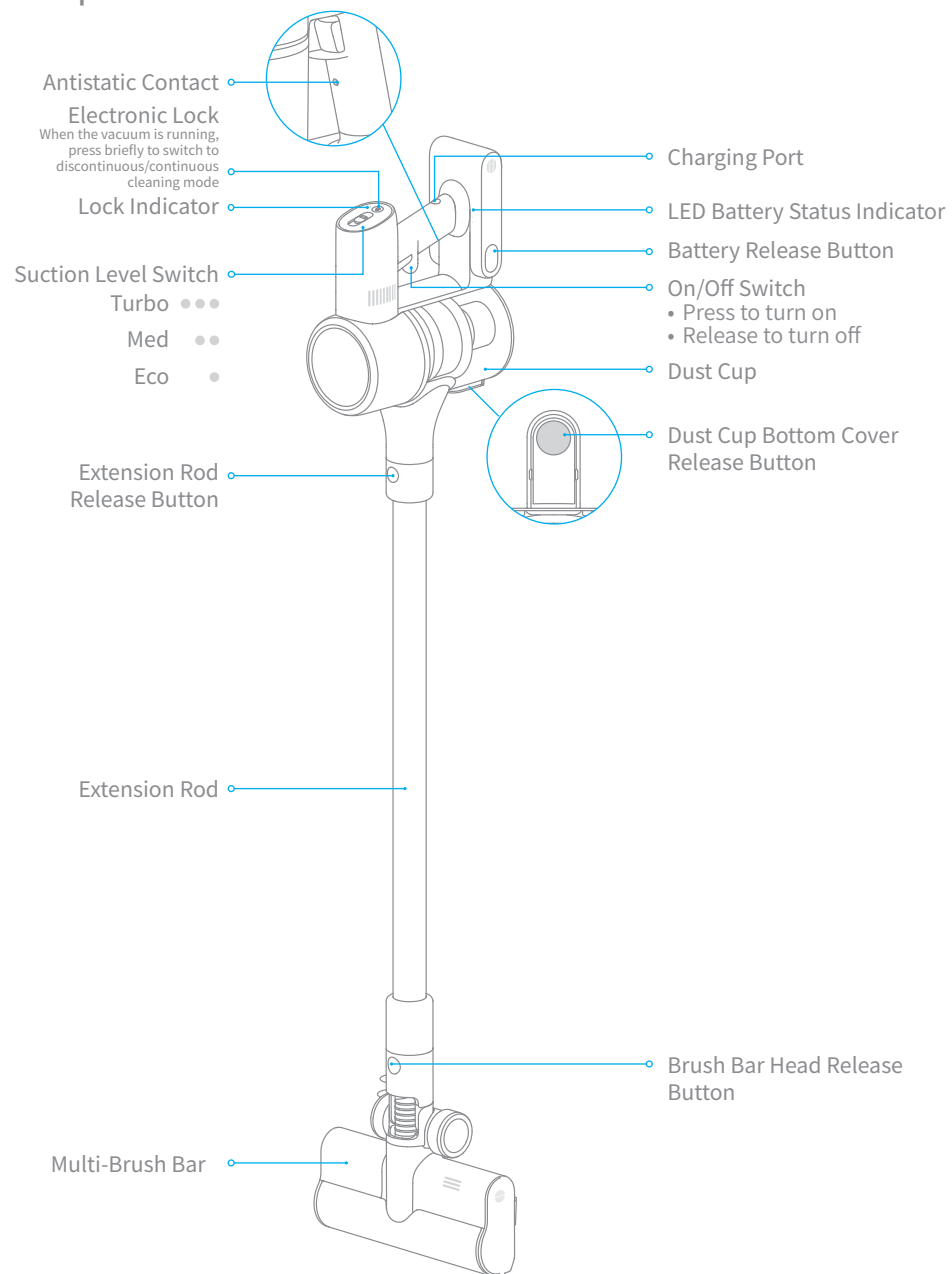
- All instructions in the manual for recharging the battery must be strictly followed. Failure to properly charge the battery within the specified temperature range could damage the battery.
- Please be extra careful when using the vacuum to clean stairs.
- Make sure the vacuum is unplugged when not used for extended periods as well as prior to performing any maintenance or repairs.
- Do not install, charge, or use this product outdoors, in bathrooms, or around a pool.
- Fire Hazard Warning: Do not apply any type of fragrance to the vacuum's filter. These types of products are known to contain flammable chemicals which may cause the vacuum to catch fire.
- Only use the original charger (Model YLS0251B-E300080 (EU) / YLS0241A-A300080 (AU)). Failing to do so may cause the lithium-ion battery to catch fire.
- Only use the approved battery type (Model P2010-7S1P-BW/P2010-7S1P-BWA/P2010-7S1P-BWB). Failing to do so may cause the lithium-ion battery to catch fire.
- If the battery material is released, remove personnel from area until the batteries cool down and fumes dissipate.
- Provide maximum ventilation to clear out hazardous gases and avoid skin and eye contact or inhalation of vapors.
- Remove spilled liquid with absorbent and incinerate waste.
- Do not use and store in extremely hot or cold environments (below 0°C /32°F or above 40°C /104°F). Please charge the cordless vacuum in temperature above 0°C /32°F and below 40°C /104°F.
- This product is designed for home use only.

We, Dreame Trading (Tianjin) Co., Ltd., hereby, declares that this equipment is in compliance with the applicable Directives and European Norms, and amendments. The full text of the EU declaration of conformity is available at the following internet address: [www.dreame-technology.com](http://www.dreame-technology.com)

For detailed e-manual, please go to <https://www.dreame-technology.com/pages/user-manuals-and-faqs>

## Product Overview

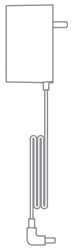
### Component Names





# Product Overview

## Accessories



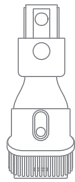
Charger



Extension Hose



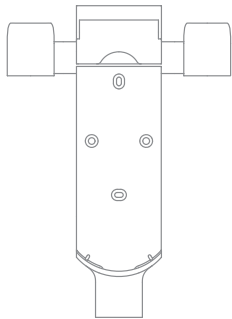
Crevice Nozzle



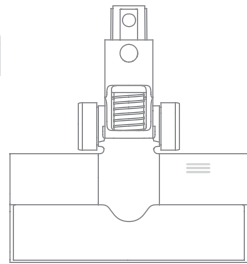
2-in-1 Brush Nozzle



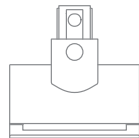
Extension Rod



2-in-1 Charging & Storage Mount  
(Including screws ×2, wall plugs ×2, and mounting template sticker)



Multi-Brush Bar

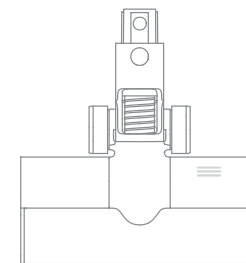


Mini Electric Brush

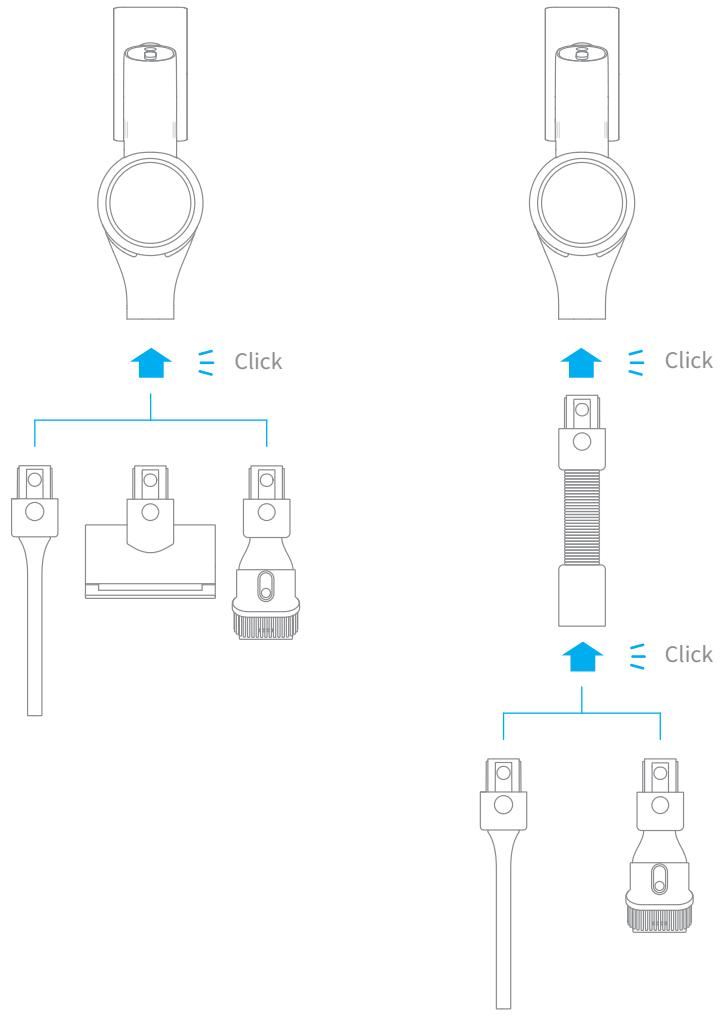
Note: The images in this manual are for illustrative purposes only. The actual product may differ.

# Installation

## Vacuum Installation Diagram



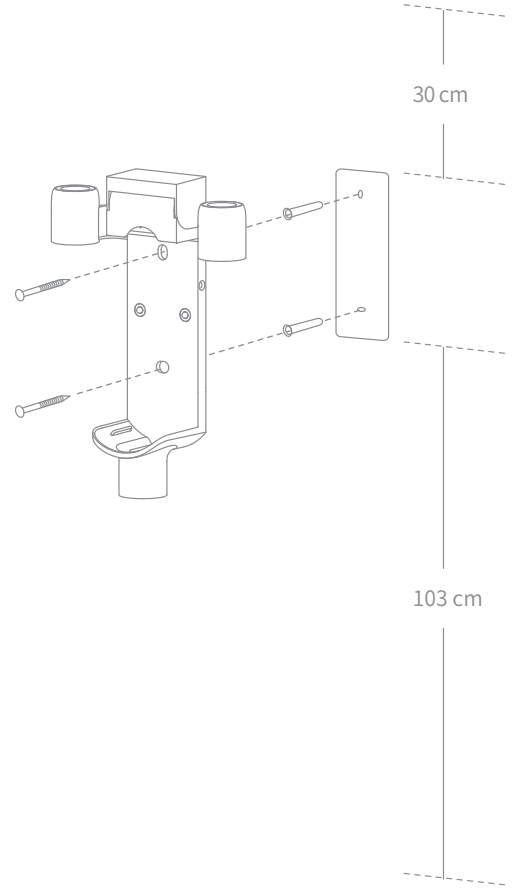
### Accessories Installation Diagram



### 2-in-1 Charging & Storage Mount Installation Diagram

The 2-in-1 charging & storage mount is an optional accessory. You can install it based on your needs.

1. The 2-in-1 charging & storage mount should be installed in a cool, dry place with an electrical outlet nearby. Prior to installing, ensure that there are no electrical wires or pipes in the space directly behind where the mount will be installed.
2. The bottom of the mounting template sticker should be level and at least 103cm from the ground. The top should have at least 30cm\* of clearance above it. (\*30cm: Leave enough space just in case you may need to purchase the replaceable battery in the future.)
3. Use a power drill with an 8 mm drill bit to drill a hole into each marker on the mounting template sticker, then insert a wall plug into each hole.
4. Align the holes on the mount with the holes on the wall. Fasten it to the wall with the included screws.



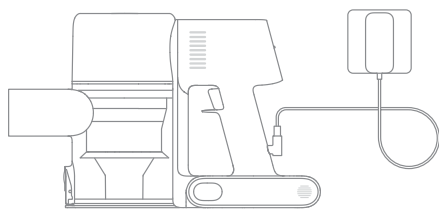
# Charging

Fully charge the vacuum before using it for the first time.

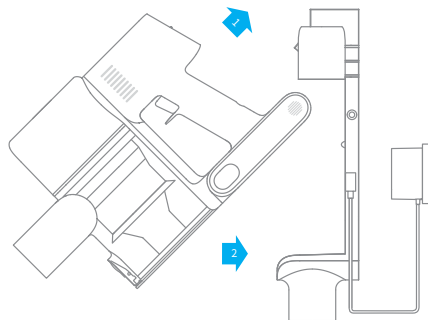
Note: A full charge will take approx. 3.5 hours. Using Turbo mode for a prolonged period will cause the battery to heat up, which increases charging time. Allow the vacuum to cool down for 30 minutes before charging it.

## Charging Methods

Charging the vacuum with the charger



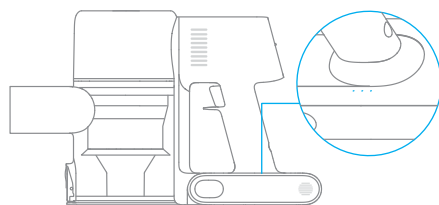
Charging the vacuum on the charging mount



## LED Battery Status Indicator

- ● ☀ Low battery
- ☀ ○ Half battery
- ☀ ○ ○ Nearly full
- ○ ○ Fully charged

- Off
- ☀ Blinking
- On



Note: Once the vacuum is fully charged, the indicator will turn off after 5 minutes, and the vacuum will enter the energy-saving mode.

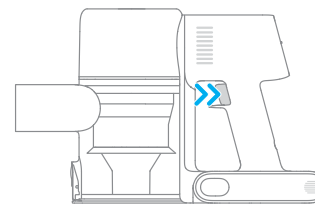
# How to Use

## Working Methods

Select from two working methods for the vacuum, based on your needs.

### Method 1: Discontinuous Cleaning Mode

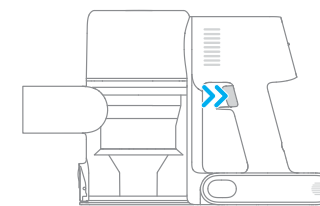
Press and hold the on/off switch to power it on, and release it to stop immediately.



### Method 2: Continuous Cleaning Mode (Electronic Lock)

Click the electronic lock to switch to Continuous Cleaning Mode when the vacuum is running. Then release the on/off switch to make the vacuum in Continuous Cleaning Mode.

Use the electronic lock to free your fingers and avoid finger fatigue caused by holding the switch.



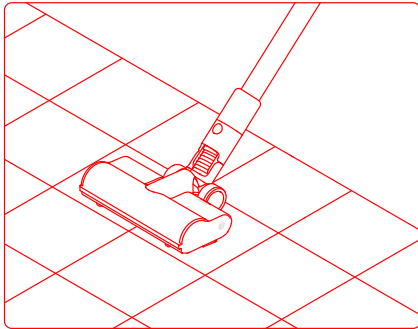
Note: In this mode, the lock indicator will illuminate steadily. Click the electronic lock again to quit the Continuous Cleaning Mode.

# How to Use

## Using Different Accessories

### Multi-Brush Bar

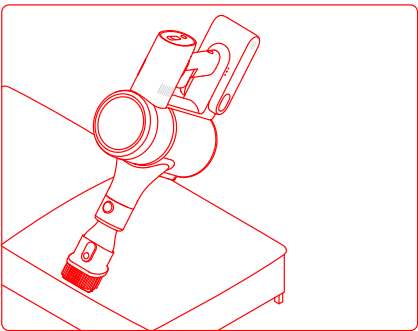
Suitable for vacuuming on the med/short pile carpets, tiles and floors.



Note: The multi-brush bar can be attached directly to the vacuum.

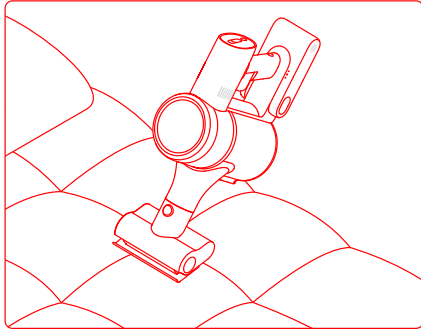
### 2-in-1 Brush Nozzle

For vacuuming curtains, keyboards, ceilings, sofas, vehicle interiors, coffee tables, etc.



### Mini Electric Brush

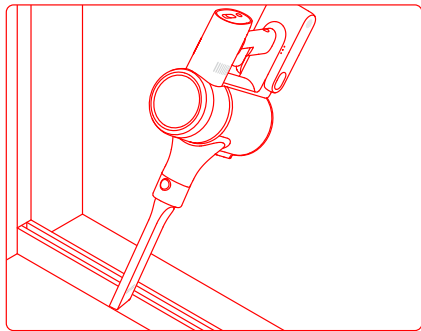
For vacuuming dirt, pet hair, and other stubborn debris from sofas, bedding, and other fabric surfaces.



Note: It is not recommended to vacuum on fragile surfaces, such as silk.

### Crevice Nozzle

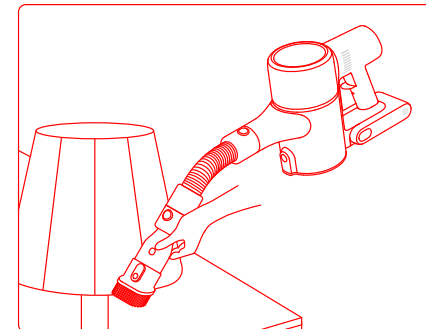
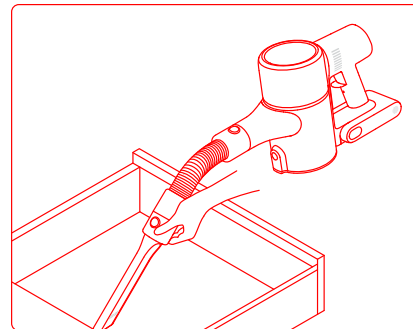
Suitable for vacuuming cracks, corners of doors and windows, stairs, and other hard-to-reach places.



# How to Use

## Extension Hose

Suitable for cleaning hard-to-reach corners such as drawers, vehicle interiors, sofa bottoms, etc.



Note:

- If any rotating part becomes stuck, the vacuum may shut off automatically. Remove any trapped foreign objects, then resume use.
- When the battery becomes overheated, the vacuum will automatically shut off. Wait until the battery temperature returns to normal, then resume use.

# Care & Maintenance

## Tips:

- Always use genuine parts to keep your warranty from being void.
- If the filter or nozzle becomes clogged, the vacuum will stop working shortly after being turned on. Clear the tube to restore functionality.
- If the vacuum is not used for an extended period, fully charge it, unplug its charger, and store it in a cool, low-humidity environment away from direct sunlight. To avoid over-discharging the battery, recharge the vacuum at least once every three months.

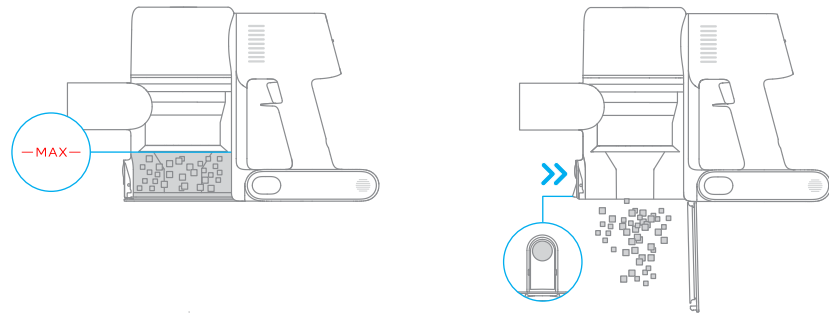
## Cleaning the Vacuum

Wipe the vacuum with a soft dry cloth.

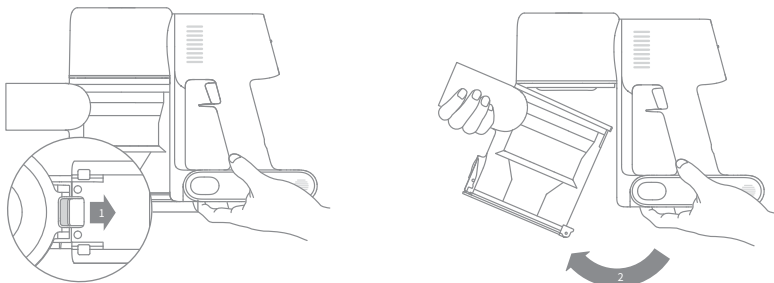
## Cleaning the Dust Cup, Pre-Filter, and Cyclone Assembly

The vacuum's cleaning ability will be reduced if the dust cup is filled to the "MAX" mark. To regain performance, empty the dust cup in a timely manner. Before emptying the dust cup, make sure the vacuum is disconnected from the power, and do not press its power button.

1. Press the dust cup bottom cover release button, then empty the contents.

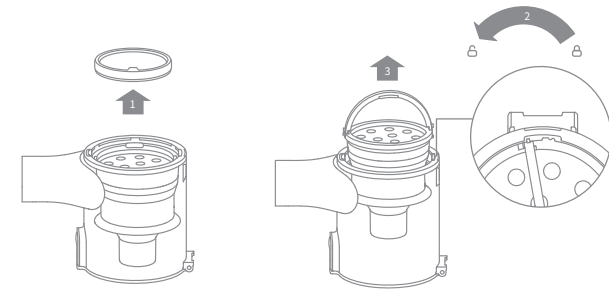


2. Push the dust cup release switch in the direction indicated by the arrow, then gently remove the dust cup from the vacuum.



# Care & Maintenance

3. Remove the pre-filter first, then lift the handle of the cyclone assembly and turn it counterclockwise until it stops, then pull to lift out the cyclone assembly.



4. Rinse the cyclone assembly, pre-filter, and dust cup until they are clean. After washing, air dry for at least 24 hours.



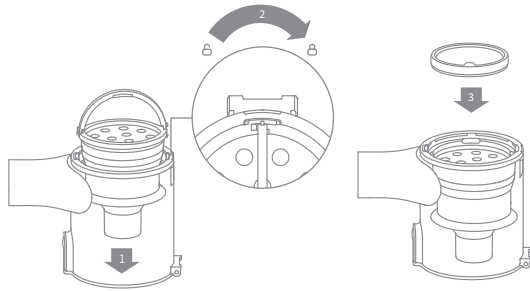
## Note:

- It is recommended to clean the dust cup once every month.
- It is recommended to clean the pre-filter at least once every 3 months and the cyclone system at least once every 6 months.

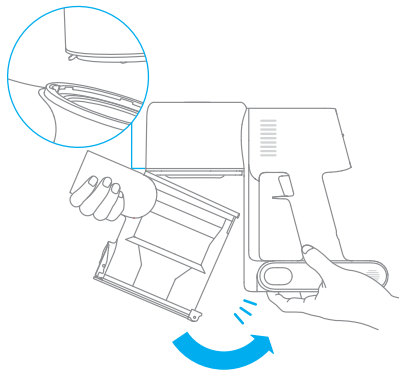
# Care & Maintenance

## Installing the Dust Cup, Pre-Filter, and Cyclone Assembly

1. Insert the cyclone assembly vertically into the dust cup, and make sure that the handle of the cyclone assembly line up with the slot on the left side of the dust cup. Turn the handle clockwise until it locks, then flip the handle down.
2. Place the pre-filter with its front side facing up into the cyclone assembly.



3. Slightly tilt the dust cup so the slot aligns with the clip on the vacuum. Then gently push the dust cup until it clicks into place.

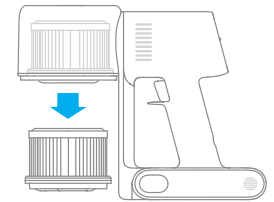
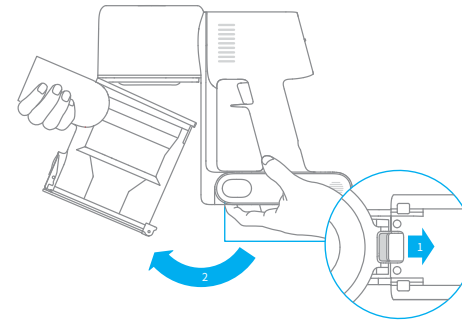


# Care & Maintenance

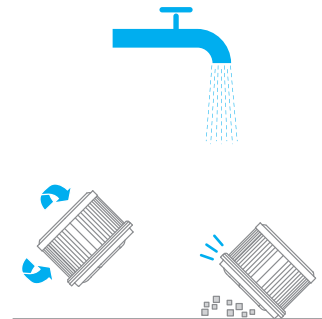
## Cleaning the Filter

It is recommended to clean the filter once every 4 to 6 months.

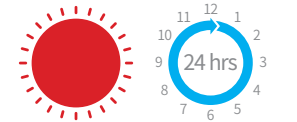
1. Remove the dust cup as shown in the figure.
2. Remove the filter from the vacuum by pulling it down in the direction shown in the figure.



3. Clean the filter with clean water. Make sure you rotate the filter 360° to thoroughly and remove all dust caught in the filter. Lightly tap the filter several times to remove any excess dirt.



4. Allow the filter to air dry for 24 hours.



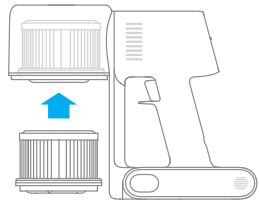
Note:

- Only use clean water to wash the filter. Do not use detergent.
- Do not attempt to clean the filter with a brush or finger.

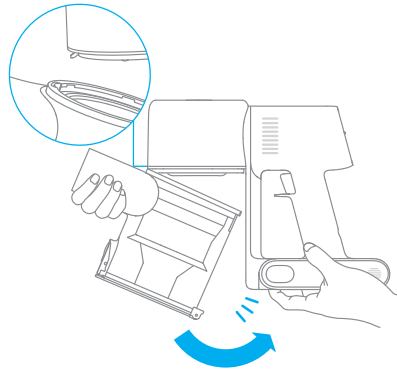
# Care & Maintenance

## Installing the Filter

1. Insert the filter into the vacuum and gently press down, as illustrated.



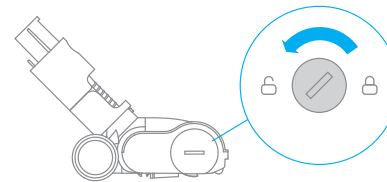
2. Reinstall the dust cup.



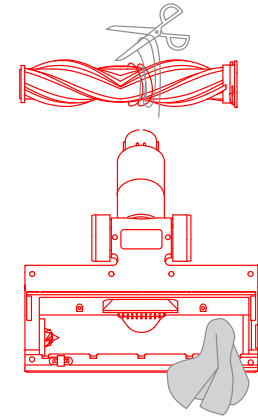
# Care & Maintenance

## Cleaning the Multi-Brush Bar

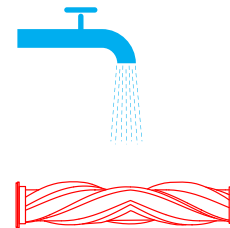
1. Turn the lock counterclockwise until it stops, then remove the roller brush from the brush bar.



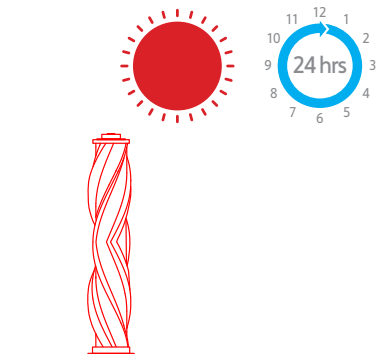
2. Use scissor to cut off the hairs and fibers that get stuck on the brush bar head. Wipe the dust from the notch and transparent cover with a dry cloth or paper towel. Thoroughly dry before use.



3. When it is dirty, rinse the roller brush with clean water until it is clean.



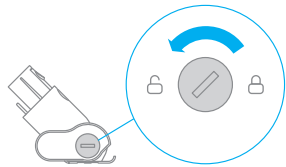
4. Stand the roller brush upright for at least 24 hours until it is fully dry.



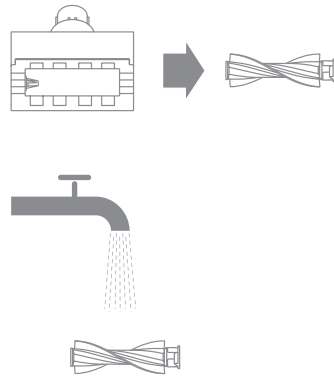
# Care & Maintenance

## Cleaning the Mini Electric Brush

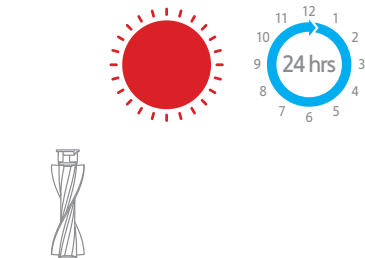
1. Use a coin as illustrated to rotate the lock counterclockwise until you hear a click.



2. After unlocking the roller brush, remove it from the mini electric brush, then rinse and clean the brush head.



3. Stand the roller brush upright in a well-ventilated area for at least 24 hours until it is fully dry.



4. Once the mini roller brush is dry, reinstall it by following the disassembly steps in reverse.

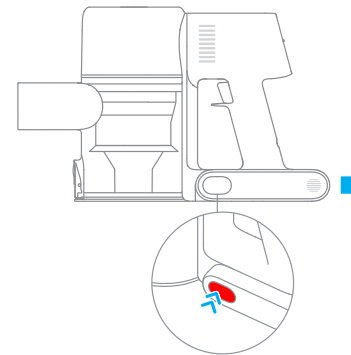


# Care & Maintenance

## Battery Pack

The vacuum contains a removable rechargeable lithium-ion battery pack which has a limited number of recharge cycles. After extended use, the battery pack may no longer hold a charge. If this happens, it means the battery pack has reached the end of its life cycle and needs to be replaced.

1. Press down the battery pack release button and slide the battery pack to the right, as illustrated, to remove it.
2. Install the new battery pack.





# Specifications

Vacuum Cleaner			
Model	VTN1	Charging Voltage	30 V ===
Rated Power	400 W	Rated Voltage	25.2 V ===
Charging Time	Approx. 3.5 hours		
Mini Electric Brush			
Model	DM002		
Rated Power	20 W	Rated Voltage	25.2 V ===
Multi-Brush Bar			
Model	AVB9		
Rated Power	40 W	Rated Voltage	25.2 V ===
Charger			
Model	YLS0251B-E300080	Average Active Efficiency	88.53%
Input	100-240 V~50/60 Hz 0.8 A max	Efficiency at Low Load (10%)	78.66%
Output	30 V === 800 mA	No-load Power Consumption	0.09 W
Charger			
Model	YLS0241A-A300080	Average Active Efficiency	86.98%
Input	100-240 V~50/60 Hz 0.8 A max	Efficiency at Low Load (10%)	80.67%
Output	30 V === 800 mA	No-load Power Consumption	0.08 W
Rechargeable Lithium-Ion Battery Pack			
Model	P2010-7S1P-BW P2010-7S1P-BWB	Nominal Voltage	25.2 V ===
Rated Capacity	2400 mAh	Energy	60.48 Wh
Rechargeable Lithium-Ion Battery Pack			
Model	P2010-7S1P-BWA	Nominal Voltage	25.2 V ===
Rated Capacity	2350 mAh	Energy	59.22 Wh

# FAQ

If the vacuum is not working properly, please refer to the table below.

Errors	Possible Causes	Solutions
Vacuum does not work.	Vacuum is out of battery or low on power.	Fully charge the vacuum, then resume use.
	Overheat protection mode triggered by a blockage.	Clean the suction openings or air duct. Wait until the vacuum cools down, then reactivate it.
	Suction opening or air duct is blocked.	Clear any blockages from suction opening or air duct.
Weak suction force.	Dust cup is full and/or filter assembly is clogged.	Empty the dust cup and clean the filter assembly.
	Attachment is blocked.	Clear any blockages in the attachment.
Motor makes a strange noise.	Main suction opening or extension rod is blocked.	Clear any blockage in the main suction opening or extension rod.
The first indicator is red after turning on the vacuum.	Battery pack is damaged.	Please contact after-sales service to arrange maintenance.
The first indicator blinks red when charging the vacuum.	The charger is incompatible.	Only use the original charger to charge the vacuum.

Errors	Possible Causes	Solutions
The battery indicator does not light up when charging.	The charger does not plug into the vacuum well.	Check whether the charger is properly plugged into the vacuum.
	The battery is charged and switches to Sleep Mode automatically.	The vacuum runs normally.
	If the problem persists after ruling out the above two possibilities.	Please contact the after-sales department for maintenance.
Charging too slow.	Battery temperature is too low or too high.	Wait until the battery's temperature returns normal, then resume use.

The lithium-ion pack contains substances that are hazardous to the environment. Before disposing of the vacuum, please remove the battery pack, then discard or recycle it in accordance with local laws and regulations of the country or region it is used in.

## WEEE Information



All products bearing this symbol are waste electrical and electronic equipment (WEEE as in directive 2012/19/EU) which should not be mixed with unsorted household waste. Instead, you should protect human health and the environment by handing over your waste equipment to a designated collection point for the recycling of waste electrical and electronic equipment, appointed by the government or local authorities. Correct disposal and recycling will help prevent potential negative consequences to the environment and human health. Please contact the installer or local authorities for more information about the location as well as terms and conditions of such collection points.

## Sicherheitshinweise

Um zu vermeiden, dass es durch unsachgemäße Benutzung zu Stromschlägen oder Bränden kommt, sollten Sie dieses Handbuch vor der Benutzung sorgfältig durchlesen und es aufbewahren, um künftig nachschlagen zu können.

### Warnung

- Dieses Produkt kann von Kindern im Alter ab acht Jahren und von Personen mit physischen, sensorischen und intellektuellen Einschränkungen oder begrenzter Erfahrung oder Wissen benutzt werden, dies muss jedoch unter Aufsicht von Eltern oder einer Aufsichtsperson erfolgen, um einen sicheren Betrieb zu gewährleisten und Gefahren auszuschließen. Eine Wartung und Reinigung durch Kinder darf nur unter Aufsicht erfolgen.
- Der Staubsauger ist kein Spielzeug. Kinder dürfen mit dem Produkt nicht spielen oder es benutzen. Seien Sie bei der Benutzung des Staubsaugers in der Nähe von Kindern bitte vorsichtig. Gestatten Sie es Kindern keinesfalls, den Staubsauger zu reinigen oder zu warten, außer unter Aufsicht eines Elternteils oder Vormunds.
- Der Staubsauger darf nicht im Freien oder auf nassen Oberflächen benutzt werden. Der Staubsauger darf nicht mit nassen Händen berührt werden.
- Um das Risiko von Bränden, Explosionen und Verletzungen zu mindern, prüfen Sie vor der Benutzung bitte den Lithium-Akku und das Ladegerät auf Beschädigungen. Der Staubsauger darf nicht benutzt werden, wenn der Lithium-Akku oder das Ladegerät beschädigt ist.
- Die Multi-Oberflächenbürste, der Akku, der Metall-Verbindungstift und der Staubsauger können Strom leiten und sollten nicht in Wasser oder andere Flüssigkeiten getaucht werden. Bitte achten Sie darauf, dass alle Filter nach der Reinigung getrocknet werden.
- Um Verletzungen durch bewegliche Teile zu vermeiden, müssen Sie den Staubsauger vor der Reinigung der Multi-Oberflächenbürste ausschalten. Vor der Benutzung des Staubsaugers müssen die Multi-Oberflächenbürste, der Staubbehälter und der Filter korrekt installiert werden.
- Benutzen Sie ausschließlich das Original-Ladegerät. Die Benutzung eines nicht originalen Ladegerätes kann zu einer Entzündung des Lithium-Akkus führen.
- Der Staubsauger darf nicht benutzt werden, um brennbare oder entzündliche Flüssigkeiten wie Benzin, Bleiche, Ammoniak, Abflussreiniger oder andere Flüssigkeiten aufzusaugen.
- Der Staubsauger darf nicht benutzt werden, um Gipspartikel, Asche (z. B. Kaminasche) oder Rauch- oder Brennmaterialien wie Kohle, Zigarettenstummel oder Streichhölzer aufzusaugen.
- Der Staubsauger darf nicht benutzt werden, um scharfe oder harte Objekte wie Glas, Nägel, Schrauben oder Münzen aufzusaugen, da dies zu Schäden am Gerät führen kann.
- Halten Sie Haare, lose Kleidung, Finger und andere Körperteile von den Öffnungen des Staubsaugers und den beweglichen Teilen fern. Der Schlauch, das Rohr und das Werkzeug dürfen nicht auf Augen oder Ohren gerichtet werden oder in den Mund genommen werden.
- Stecken Sie keine Gegenstände in die Öffnungen des Staubsaugers. Der

Staubsauger darf nicht genutzt werden, wenn eine Öffnung blockiert ist. Er muss frei von Staub, Flusen, Haaren und anderen Gegenständen gehalten werden, die den Luftstrom behindern könnten. nicht genutzt werden, wenn eine Öffnung blockiert ist. Er muss frei von Staub, Flusen, Haaren und anderen Gegenständen gehalten werden, die den Luftstrom behindern könnten.

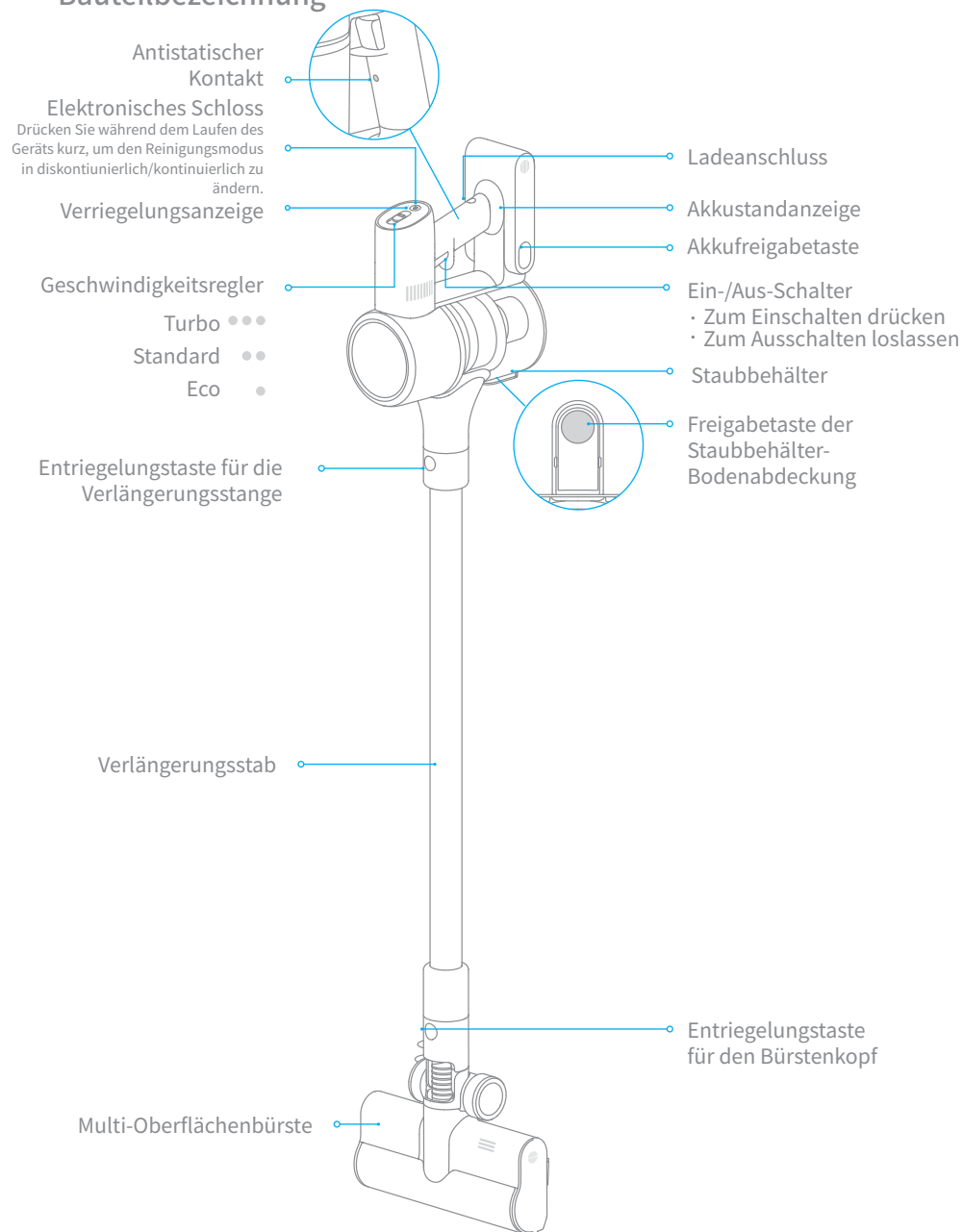
- Lehnen Sie den Staubsauger nicht gegen Stühle, Tische oder andere instabile Flächen, da dies zur Schädigung am Gerät oder Verletzungen führen kann. Falls der Staubsauger durch Umkippen beschädigt wird oder sonst defekt ist, wenden Sie sich bitte an unsere autorisierte Serviceabteilung. Versuchen Sie nie, das Gerät selbst zu zerlegen.
- Beim Aufladen des Akkus sind alle Anweisungen in dieser Anleitung strikt zu befolgen. Wenn bei der Aufladung des Akkus der angegebene Temperaturbereich nicht eingehalten wird, kann der Akku beschädigt werden.
- Stellen Sie sicher, dass der Staubsauger nicht mit dem Stromnetz verbunden ist, wenn Sie ihn über längere Zeit nicht benutzen. Der Staubsauger muss außerdem vom Stromnetz getrennt werden, bevor Wartungs- und Reparaturarbeiten erfolgen.
- Bitte seien Sie besonders vorsichtig, wenn Sie den Staubsauger zur Treppenreinigung verwenden.
- Dieses Produkt darf nicht im Freien, in Badezimmern oder in der Nähe eines Schwimmbekens benutzt, installiert oder geladen werden.
- Warnung vor Brandgefahr: auf den Filter dürfen keinesfalls Duftstoffe jeglicher Art aufgetragen werden. Diese Art von Produkten enthält häufig brennbare Chemikalien, die dazu führen könnten, dass das Gerät Feuer fängt.
- Verwenden Sie nur das Original-Ladegerät (Modell YLS0251B-E300080 (EU) / YLS0241A-A300080 (AU)). Andernfalls kann es zu einer Entzündung des Lithium-Ionen-Akkus kommen.
- Verwenden Sie nur den zugelassenen Akkutyp (Modell P2010-7S1P-BW / P2010-7S1P-BWA / P2010-7S1P-BWB). Andernfalls kann es zu einer Entzündung des Lithium-Ionen-Akkus kommen.
- Sorgen Sie dafür, dass sich während der Freisetzung des Batteriematerials keine Personen in unmittelbarer Nähe befinden, bis die Batterien abgekühlt sind und sich die Dämpfe verflüchtigt haben.
- Stellen Sie sicher, dass der Bereich bestmöglich belüftet ist, damit sich gesundheitsgefährdende Gase schnell verflüchtigen können und der Haut- und Augenkontakt sowie das Einatmen von Dämpfen vermieden wird.
- Entfernen Sie die verschüttete Flüssigkeit mit Absorptionsmittel verbrennen Sie die Abfälle.
- Verwenden und lagern Sie es nicht in extrem heißen oder kalten Umgebungen (unter 0°C /32°F oder über 40°C /104°F). Laden Sie bei einer Ladetemperatur von 0°C bis 40°C mit dem Original-Netzadapter.
- Das Produkt ist nur für den Heimgebrauch bestimmt.

Wir, Dreame Trading (Tianjin) Co., Ltd., bestätigen hiermit, dass dieses Gerät mit geltenden Verordnungen und europäischen Normen sowie etwaigen Ergänzungen in Einklang steht. Der vollständige Wortlaut der EU-Konformitätserklärung ist unter der folgenden Internetadresse abrufbar: [www.dreame-technology.com](http://www.dreame-technology.com)

Ein detailliertes elektronisches Handbuch finden Sie unter <https://www.dreame-technology.com/pages/user-manuals-and-faqs>

## Produktübersicht

### Bauteilbezeichnung



# Produktübersicht

## Zubehörliste



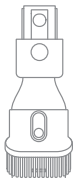
Ladegerät



Verlängerungsschlauch



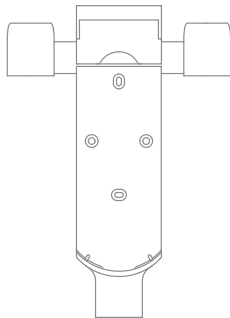
Spaltdüse



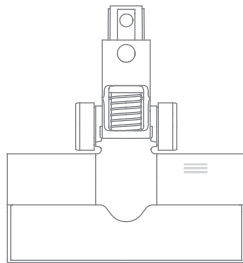
2-in-1 Bürstendüse



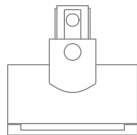
Verlängerungsrohr



2-in-1 Lade- und Aufbewahrungshalterung (einschließlich 2 x Schrauben, 2 x Dübel und Montagevorlage-Aufkleber)



Multi-Oberflächenbürste



Elektrische Mini-Bürste

Hinweis: Die Abbildungen in diesem Handbuch dienen nur als Referenz, bitte beziehen Sie sich auf das tatsächliche Aussehen.

# Installation

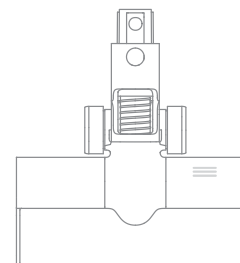
## Installation des Zubehörs am Staubsauger



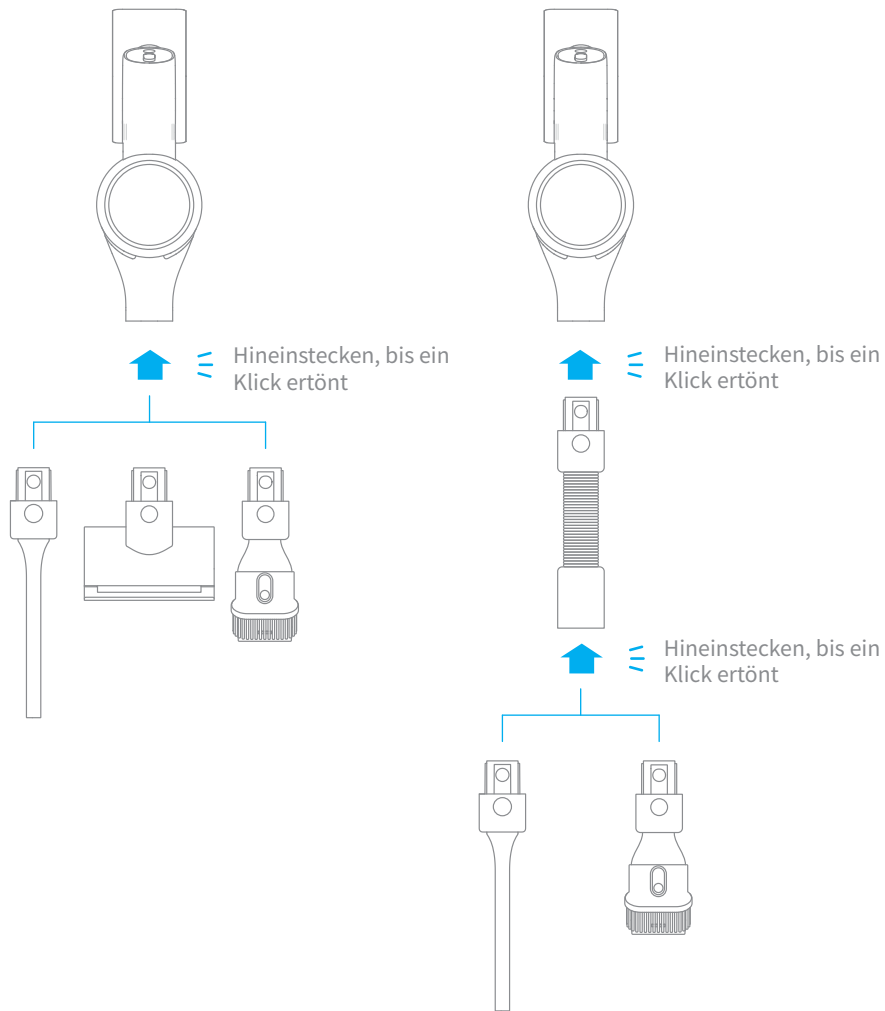
Hineinstecken, bis ein Klick ertönt



Hineinstecken, bis ein Klick ertönt



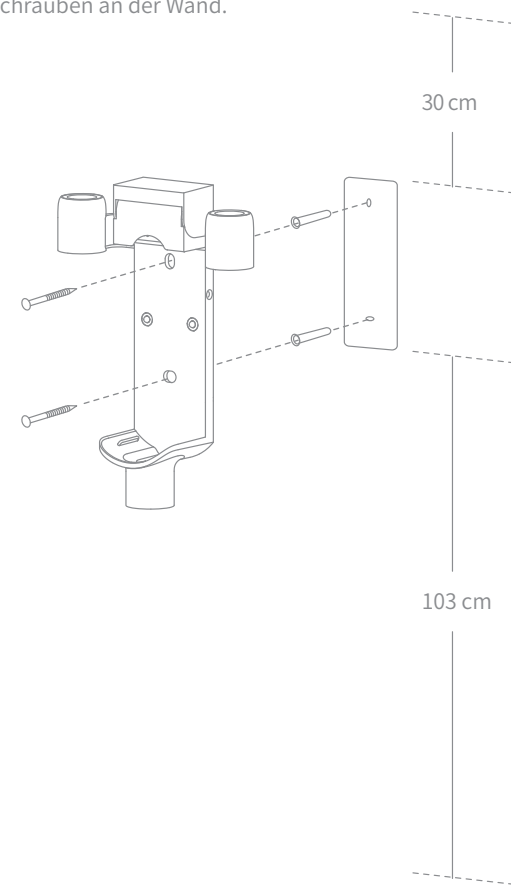
Verbindung des Zubehörs



Installation der 2-in-1 Lade- und Aufbewahrungshalterung

Die 2-in-1 Lade- und Aufbewahrungshalterung ist ein optionales Zubehörteil, das Sie nach Ihrem persönlichen Bedarf montieren können.

1. Die 2-in-1 Lade- und Aufbewahrungshalterung sollte an einem kühlen, trockenen Ort in der Nähe einer Steckdose installiert werden. Vor der Installation sollten Sie sicherstellen, dass sich in dem Raum direkt hinter der Wandoberfläche, an der die Halterung installiert werden soll, keine Kabel oder Drähte befinden.
2. Der untere Rand des Montagevorlage-Aufklebers sollte mindestens 1,03 m über dem Boden und parallel zum Boden sein, und über dem oberen Rand sollte mindestens 30 cm Platz sein (\*30 cm: Schaffen Sie Platz für den zukünftigen Kauf einer Ersatzbatterie).
3. Verwenden Sie eine Bohrmaschine mit einem 8-mm-Bohrer, um ein Loch in jede Lochmarkierung auf dem Montageschablone-Aufkleber zu bohren, und setzen Sie dann in jedes Loch einen Dübel ein.
4. Richten Sie die Befestigungslöcher der 2-in-1 Lade- und Aufbewahrungshalterung mit den Löchern an der Wand aus und befestigen Sie die Halterung dann mit den mitgelieferten Schrauben an der Wand.



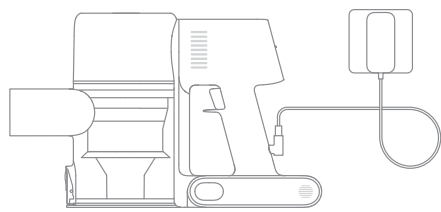
# Ladevorgang läuft

Vor der erstmaligen Benutzung sollte der Staubsauger voll aufgeladen werden.

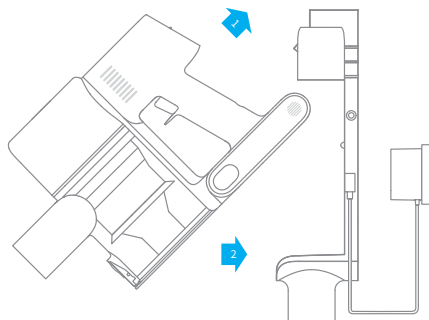
Hinweis: Dies dauert etwa 3,5 Stunden. Wenn Sie über längere Zeit im Turbomodus Staub saugen, kann dies zur Erhitzung des Akkus führen, was eine längere Ladezeit zur Folge hat. Lassen Sie daher den Staubsauger vor dem Aufladen 30 Minuten abkühlen.

## Lademodi

Laden des Staubsaugers mit dem Ladegerät



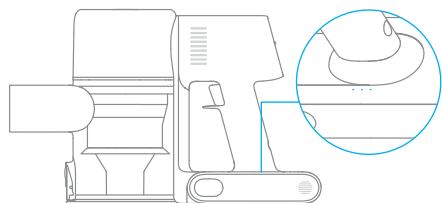
Laden des Staubsaugers in der Ladehalterung



## Akkustandanzeige

- ● ☀ Niedriger Akkustand
- ☀ ○ Akkuladestatus 50 %
- ☀ ○ ○ Fast voll
- ○ ○ Voll aufgeladen

- Aus    ☀ Blinken    ○ Ein



Hinweis: Wenn der Staubsauger voll geladen ist, schaltet sich die Anzeige nach 5 Minuten ab und das Gerät wird in den Energieeinsparmodus versetzt.

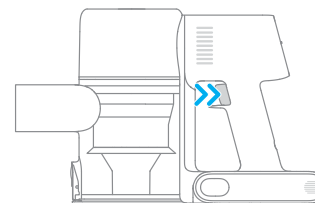
# Benutzung

## Reinigungsmodus

Es gibt zwei Betriebsarten für den Staubsauger, die nach Ihren eigenen Bedürfnissen ausgewählt werden können.

### Modus 1: Diskontinuierlicher Reinigungsmodus

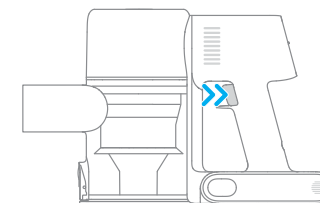
Halten Sie den Schalter des Staubsaugers gedrückt, um den Betrieb aufzunehmen, und lassen Sie ihn los, um sofort zu stoppen.



### Modus 2: Kontinuierliche Reinigungsmodus (elektronische Sperre)

Drücken Sie bei laufendem Gerät auf die elektronische Verriegelungstaste um in den kontinuierlichen Reinigungsmodus zu wechseln. Lassen Sie dann den ein/aus Schalter los, um den Staubsauger im kontinuierlichen Modus reinigen zu lassen.

Verwenden Sie die elektronische Sperre, um Ihre Finger zu entlasten und einer Ermüdung Ihrer Finger durch das Gedrückthalten des Schalters zu vermeiden.



Hinweis:

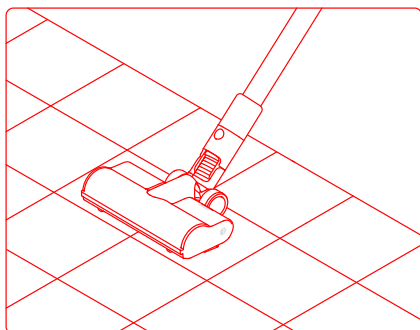
- Im kontinuierlichen Modus leuchtet die Verriegelungsanzeige konstant.
- Klicken Sie erneut auf das elektronische Schloss, um den kontinuierlichen Reinigungsmodus zu beenden.

# Benutzung

## Benutzung verschiedener Zubehörteile

### Multi-Oberflächenbürste

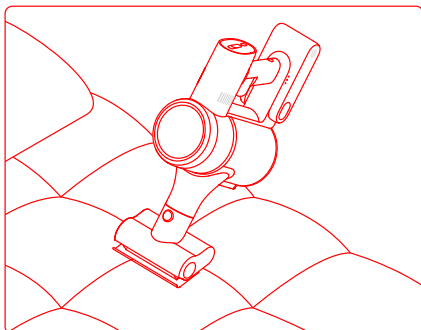
Geeignet für das Saugen von kurz- und mittellanghaarigen Teppichen, Fliesen und Böden.



Hinweis: Die Multi-Oberflächenbürste kann auch direkt an den Staubsauger angefügt werden.

### Elektrische Mini-Bürste

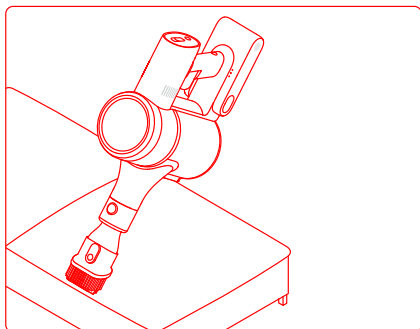
Zum Aufsaugen von Schmutz, Tierhaaren und anderen hartnäckigen Ablagerungen auf Sofas, Bettzeug und anderen Textiloberflächen.



Hinweis: Das Staubsaugen auf Oberflächen, die eingezogen werden könnten wie z. B. Seide, wird nicht empfohlen.

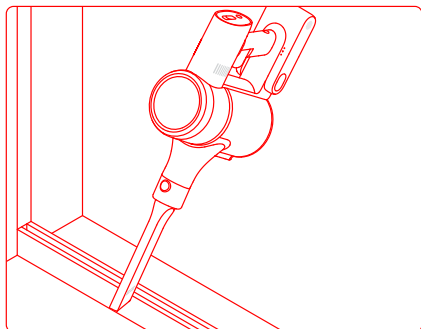
### 2-in-1 Bürstendüse

Zum Saugen von Vorhängen, Sofas, Fahrzeuginnenräumen, Couchtischen usw.



### Spaltdüse

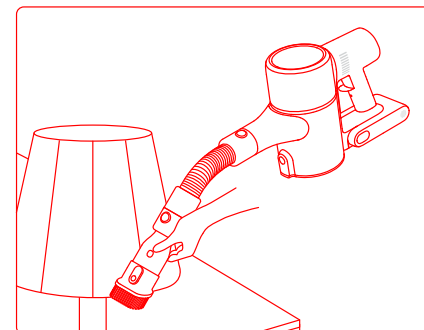
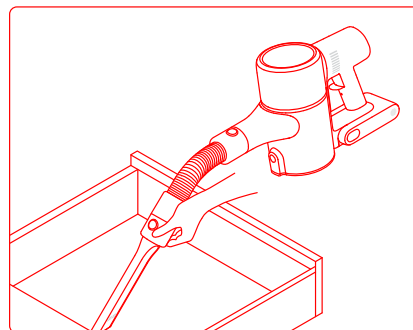
Geeignet für das Saugen in Spalten, in Ecken von Türen und Fenstern, auf Treppen und an anderen schwer zugänglichen Stellen.



# Benutzung

## Verlängerungsschlauch

Geeignet für die Reinigung schwer erreichbarer Stellen, so wie Schubladen, Fahrzeuginnenräume, Sofas usw.



### Hinweis:

- Wenn ein rotierendes Teil stecken bleibt, kann es passieren, dass der Staubsauger sich automatisch abschaltet. Entfernen Sie dann etwaige eingeklemmte Fremdkörper und setzen Sie die Benutzung fort.
- Wenn der Akku sich überhitzt, wird der Staubsauger automatisch ausgeschaltet. Bitte warten Sie, bis sich die Temperatur des Akkus normalisiert hat, und setzen Sie erst dann die Benutzung fort.

# Pflege und Wartung

## Sicherheitsregeln für die Wartung

- Verwenden Sie stets Originalteile, um ein Erlöschen der Garantie zu vermeiden.
- Falls der Filter oder die Düse verstopft sind, wird der Staubsauger kurz nach Einschalten den Betrieb einstellen. Um die Funktion wiederherzustellen, müssen Sie den Filter oder die Düse reinigen.
- Wenn der Staubsauger für eine längere Zeit nicht benutzt werden wird, laden Sie ihn voll auf, trennen Sie ihn vom Netz und lagern ihn an einem kühlen und trockenen Ort ohne direkte Sonneneinstrahlung. Um eine Tiefentladung des Akkus zu vermeiden, sollte der Staubsauger mindestens einmal alle drei Monate aufgeladen werden.

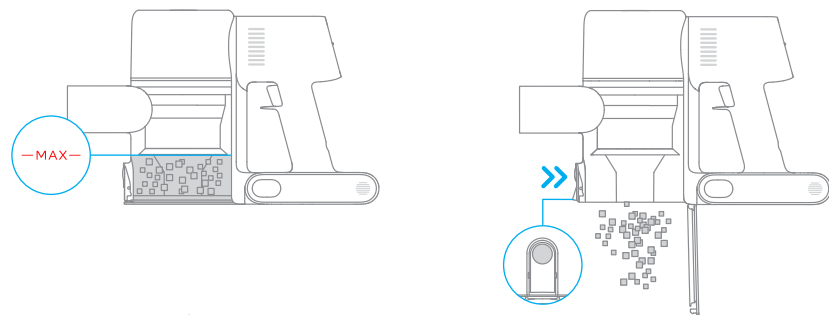
## Reinigung des Staubsaugers

Reinigen Sie den Staubsauger mit einem weichen, trockenen Tuch.

## Reinigung des Staubbehälters, des Vorfilters und der Zyklon-Baugruppe

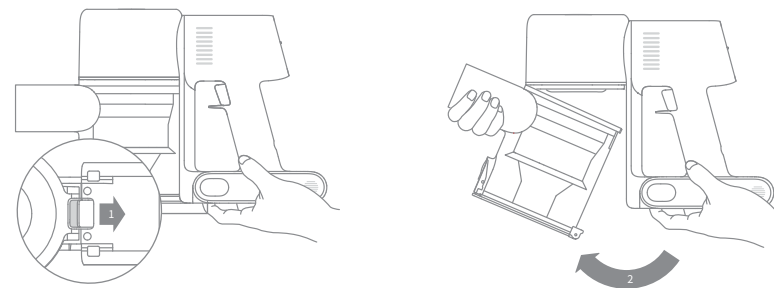
Die Reinigungsleistung des Staubsaugers reduziert sich, wenn das Staubabteil bis zur "MAX"-Markierung gefüllt ist. Um die volle Reinigungsleistung wiederherzustellen, sollten Sie den Staubbehälter rechtzeitig leeren. Bevor Sie den Staubbehälter leeren, sollten Sie sicherstellen, dass der Staubsauger von der Stromversorgung getrennt ist. Vermeiden Sie es außerdem, die Einschalttaste zu drücken.

1. Drücken Sie die Entriegelungstaste der Bodenabdeckung des Staubbehälters und entleeren Sie dann den Inhalt.

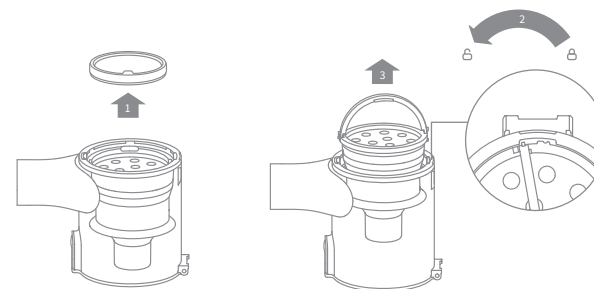


# Pflege und Wartung

2. Drücken Sie die Freigabetaste des Staubbehälters in die Pfeilrichtung und nehmen Sie den Staubbehälter vorsichtig aus dem Staubsauger.



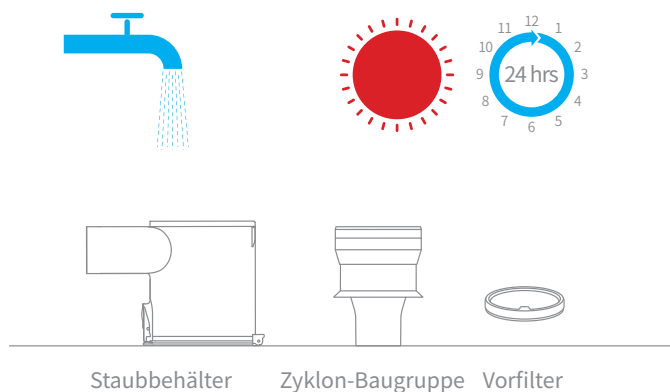
3. Entfernen Sie die zunächst den Vorfilter, heben Sie dann den Griff der Zyklon-Baugruppe an und drehen Sie ihn gegen den Uhrzeigersinn bis zum Anschlag. Anschließend können Sie die Zyklon-Baugruppe herausheben.





# Pflege und Wartung

4. Spülen Sie den Vorfilter, die Zyklon-Baugruppe und den Staubbehälter mit Wasser, bis sie sauber sind, und legen Sie dann alle Komponenten mindestens 24 Stunden lang zum gründlichen Trocknen beiseite.



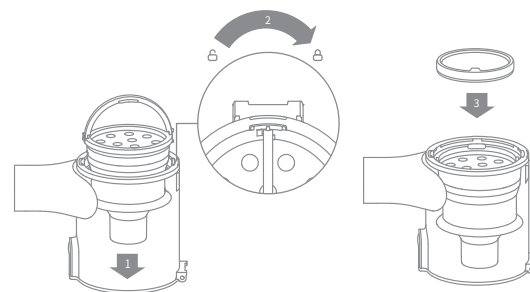
## Hinweis:

- Der Staubbehälter sollte mindestens einmal im Monat ausgespült werden.
- Es wird empfohlen, den Vorfilter mindestens einmal alle 3 Monate und das Zyklonsystem mindestens einmal alle 6 Monate zu reinigen.

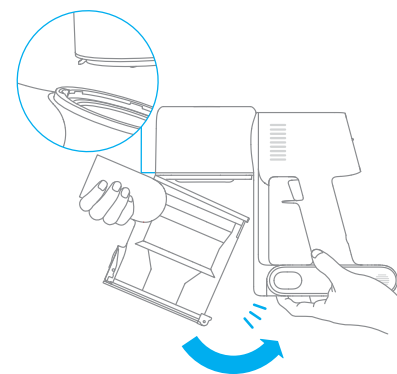
# Pflege und Wartung

## Installation des Staubbehälters, des Vorfilters und der Zyklon-Baugruppe

1. Setzen Sie die Zyklon-Baugruppe vertikal in den Staubbehälter ein und vergewissern Sie sich, dass der Griff der Zyklon-Baugruppe korrekt mit dem Schlitz auf der linken Seite des Staubbehälters ausgerichtet ist. Drehen Sie den Griff im Uhrzeigersinn, bis er einrastet, und klappen Sie dann den Griff nach unten.
2. Setzen Sie den Vorfilter mit der Vorderseite nach oben in die Zyklon-Baugruppe ein.



3. Neigen Sie den Staubbehälter leicht, so dass der Schlitz mit dem Clip am Staubsauger ausgerichtet ist. Schieben Sie den Staubbehälter dann vorsichtig hinein, bis er einrastet.

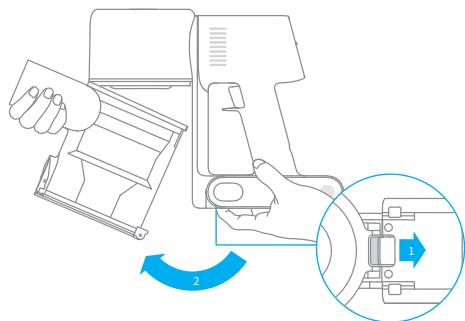


# Pflege und Wartung

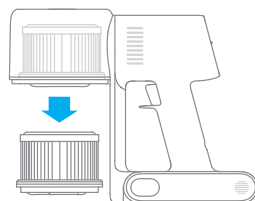
## Reinigung des Filter

Der Filter sollte alle 4 bis 6 Monate ausgewechselt werden.

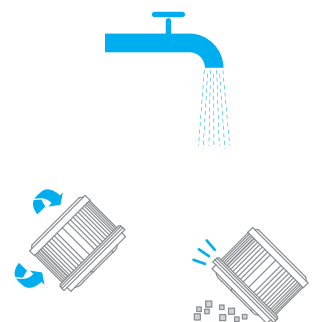
1. Entfernen Sie den Staubbehälter wie in der Abbildung dargestellt.



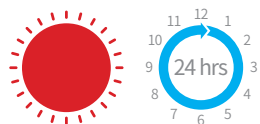
2. Entfernen Sie den Filter aus dem Staubsauger, indem Sie ihn in die in der Abbildung gezeigten Richtung nach unten ziehen.



3. Reinigen Sie den Filter mit sauberem Wasser. Achten Sie darauf, dass Sie den Filter um 360° drehen, um den gesamten im Filter aufgefangenen Staub gründlich zu entfernen. Klopfen Sie mehrmals leicht auf den Filter, um vorhanden Schmutz zu entfernen.



4. Lassen Sie den Filter mindestens 24 Stunden lang gründlich trocknen.



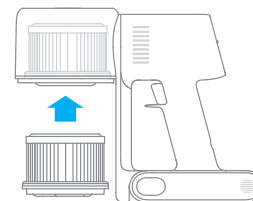
Hinweis:

- Säubern Sie den Filter ausschließlich mit sauberem Wasser. Verwenden Sie keine Reinigungsmittel.
- Versuchen Sie nicht, den Filter mit einer Bürste oder einem Finger zu reinigen.

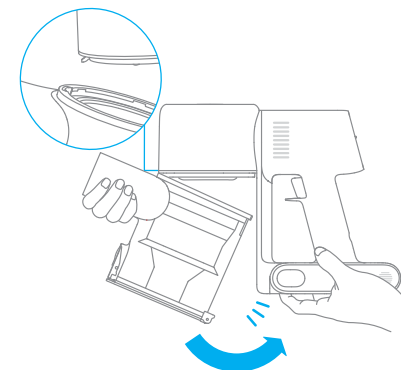
# Pflege und Wartung

## Installation des Filters

1. Setzen Sie den Filter in den Staubsauger ein und drücken Sie ihn vorsichtig nach unten, wie in der Abbildung gezeigt.



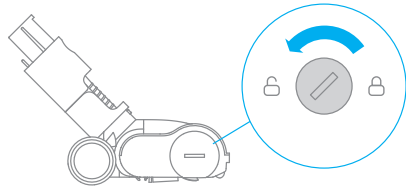
2. Installation des Staubbehälters.



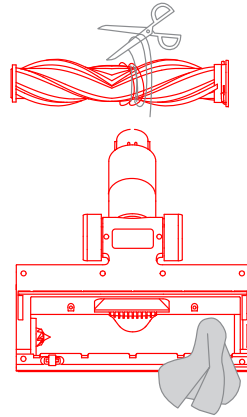
# Pflege und Wartung

## Die Multi-Oberflächenbürste reinigen

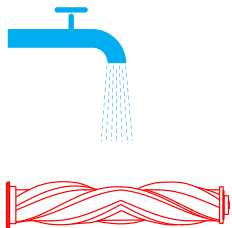
1. Drehen Sie die Verriegelung gegen den Uhrzeigersinn bis zum Anschlag, entfernen Sie dann die Rollerbürste von der Bürstenstange.



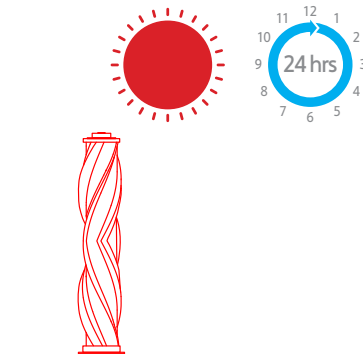
2. Verwenden Sie eine Schere, um Haare oder andere Fremdkörper, die sich an der Rollbürste verfangen haben, abzuschneiden und herauszupicken. Wischen Sie überschüssigen Staub vom Schlitz und der durchsichtigen Plastikabdeckung mit einem trockenen Tuch oder Papiertuch ab.



3. Falls sie verschmutzt ist, spülen Sie den Bürstenkopf mit sauberem Wasser ab, bis er sauber ist.



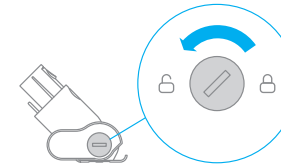
4. Nach der Wäsche sollten Sie die Rollbürste mindestens 24 Stunden in einem gut belüfteten Raum aufrecht stehen lassen, um sie gründlich zu trocknen.



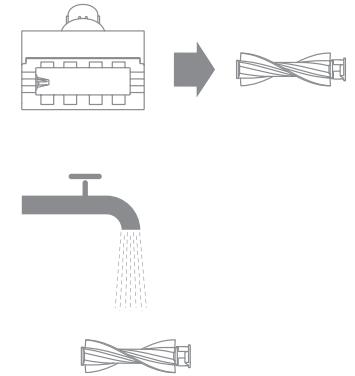
# Pflege und Wartung

## Reinigung der elektrischen Mini-Bürste

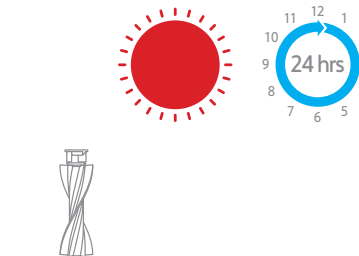
1. Drehen Sie mit Hilfe einer Münze die Verriegelung gegen den Uhrzeigersinn bis zum Klick.



2. Nachdem Sie Rollbürste entriegelt haben, entfernen Sie diese von der elektrischen Mini-Bürste. Spülen und reinigen Sie die Rollbürste.



3. Nach der Wäsche sollten Sie die Rollbürste mindestens 24 Stunden in einem gut belüfteten Raum aufrecht stehen lassen, um sie gründlich zu trocknen.



4. Nachdem die Rollbürste getrocknet ist, montieren Sie diese erneut, indem Sie die Ausbau-Schritte in umgekehrter Reihenfolge durchführen.

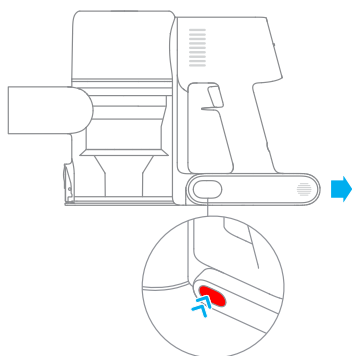


## Akku

Der Staubsauger enthält einen herausnehmbaren, wiederaufladbaren Lithium-Ionen-Akku, der eine begrenzte Anzahl von Ladezyklen hat. Nach längerem Gebrauch kann es geschehen, dass der Akku keine Ladung mehr hält. Wenn dies geschieht, bedeutet dies, dass der Akku das Ende seiner Lebensdauer erreicht hat und ersetzt werden muss.

1. Drücken Sie den Entriegelungsknopf des Akkus nach unten und schieben Sie den Akku, wie in der Abbildung gezeigt, nach rechts, um ihn zu entfernen.

2. Installation des neuen Akkus.



Staubsauger			
Modell	VTN1	Ladespannung	30 V $\text{---}$
Bemessungsleistung	400 W	Nennspannung	25,2 V $\text{---}$
Ladedauer	Ca. 3,5 Stunden		
Elektrische Mini-Bürste			
Modell	DM002		
Bemessungsleistung	20 W	Nennspannung	25,2 V $\text{---}$
Multi-Oberflächenbürste			
Modell	AVB9		
Bemessungsleistung	40 W	Nennspannung	25,2 V $\text{---}$
Ladegerät			
Modell	YLS0251B-E300080	Durchschnittliche aktive Effizienz	88,53%
Eingang	100-240 V~50/60 Hz 0,8 A max	Effizienz bei geringer Last (10%)	78,66%
Ausgang	30 V $\text{---}$ 800 mA	Stromverbrauch im lastfreien Zustand	0,09 W
Ladegerät			
Modell	YLS0241A-A300080	Durchschnittliche aktive Effizienz	86,98%
Eingang	100-240 V~50/60 Hz 0,8 A max	Effizienz bei geringer Last (10%)	80,67%
Ausgang	30 V $\text{---}$ 800 mA	Stromverbrauch im lastfreien Zustand	0,08 W
Wiederaufladbarer Lithium-Ionen-Akku			
Modell	P2010-7S1P-BW P2010-7S1P-BWB	Nennspannung	25,2 V $\text{---}$
Nennleistung	2400 mAh	Energie	60,48 Wh
Wiederaufladbarer Lithium-Ionen-Akku			
Modell	P2010-7S1P-BWA	Nennspannung	25,2 V $\text{---}$
Nennleistung	2350 mAh	Energie	59,22 Wh

Falls der Staubsauger nicht korrekt funktionieren sollte, beachten Sie bitte die folgende Tabelle, um eine Problemlösung zu finden.

Fehler	Mögliche Ursache	Lösung
Der Staubsauger funktioniert nicht.	Der Akku ist leer oder fast leer.	Laden Sie den Staubsauger vollständig auf und versuchen Sie es erneut.
	Durch eine Blockade wurde der Überhitzungsschutz ausgelöst.	Warten Sie, bis der Staubsauger abgekühlt ist und versuchen Sie es dann erneut.
	Die Saugöffnung oder der Strömungsweg ist blockiert.	Befreien Sie die Ansaugöffnung oder den Strömungsweg von etwaigen Hindernissen.
Die Saugleistung ist reduziert.	Der Staubbehälter ist voll und/oder der Filter ist verstopft.	Leeren Sie das Staubfach und reinigen Sie die Filtereinheit.
	Das Zubehörteil ist blockiert.	Entfernen Sie Blockaden vom Zubehörteil.
Der Motor gibt ein merkwürdiges Geräusch ab.	Die Hauptaugöffnung oder das Verlängerungsrohr ist verstopft.	Entfernen Sie Verstopfungen aus der Hauptaugöffnung oder dem Verlängerungsrohr.
Das erste Anzeigelicht ist nach Einschalten des Staubsaugers rot.	Der Akku ist beschädigt.	Wenden Sie sich bitte an den Kundendienst, um eine Wartung zu veranlassen.
Das erste Anzeigelicht blinkt beim Laden des Staubsaugers rot.	Das Ladegerät ist nicht kompatibel.	Benutzen Sie ausschließlich das Original-Ladegerät, um den Staubsauger aufzuladen.

Fehler	Mögliche Ursache	Lösung
Die Akku-Anzeige leuchtet während des Ladevorgangs nicht auf.	Das Ladegerät ist nicht mit dem Staubsauger verbunden.	Vergewissern Sie sich, dass das Ladegerät richtig eingesteckt ist.
	Der Akku ist vollständig geladen und ist in den Energiesparmodus gewechselt.	Der Staubsauger kann normal benutzt werden.
	Wenn die beiden vorstehend genannten Möglichkeiten ausgeschlossen worden sind und das Problem weiter besteht.	Wenden Sie sich bitte an den Kundendienst, um Hilfe zu erhalten.
Der Akku wird nur langsam geladen.	Die Temperatur des Akkus ist zu hoch oder zu niedrig.	Warten Sie, bis die Akkutemperatur sich normalisiert hat und setzen Sie dann die Benutzung fort.

Der Lithium-Ionen-Akku enthält umweltgefährdende Stoffe. Bevor der Staubsauger entsorgt wird, muss zunächst der Akku entfernt werden, anschließend muss in Übereinstimmung mit den lokalen Gesetzen und Vorschriften des Landes oder der Region, in dem er benutzt wurde, eine Entsorgung oder Wiederverwertung stattfinden.

### WEEE-Informationen



Alle mit diesem Symbol gekennzeichneten Produkte sind Elektroschrott und Elektrogeräte (WEEE entsprechend EU-Richtlinie 2012/19/EU) und dürfen nicht mit unsortiertem Haushaltsmüll vermischt werden. Schützen Sie stattdessen Ihre Mitmenschen und die Umwelt, indem Sie Ihre zu entsorgenden Geräte an eine dafür vorgesehene, von der Regierung oder einer lokalen Behörde eingerichtete Sammelstelle zum Recycling von Elektroschrott und Elektrogeräten bringen. Eine ordnungsgemäße Entsorgung und Recycling helfen, negative Auswirkungen auf die Gesundheit von Umwelt und Menschen zu vermeiden. Wenden Sie sich bitte an den Installateur oder lokale Behörden, um Informationen zum Standort und den allgemeinen Geschäftsbedingungen solcher Sammelstellen zu erhalten.

## Entsorgung von Elektro- und Elektronikgeräten



Die durchgestrichene Mülltonne bedeutet, dass Sie gesetzlich verpflichtet sind, diese Geräte einer vom unsortierten Siedlungsabfall getrennten Erfassung zuzuführen. Die Entsorgung über die Restmülltonne oder die gelbe Tonne ist untersagt. Enthalten die Produkte Batterien oder Akkus, die nicht fest verbaut sind, müssen diese vor der Entsorgung entnommen und getrennt als Batterie entsorgt werden.

## Möglichkeiten der Rückgabe von Altgeräten

Besitzer von Altgeräten können diese im Rahmen der durch öffentlich-rechtlichen Entsorgungsträger eingerichteten und zur Verfügung stehenden Möglichkeiten der Rückgabe oder Sammlung von Altgeräten abgeben, damit eine ordnungsgemäße Entsorgung der Altgeräte sichergestellt ist. Unter dem folgenden Link besteht die Möglichkeit, sich ein Onlineverzeichnis der Sammel- und Rücknahmestellen anzuzeigen zu lassen: <https://www.ear-system.de/ear-verzeichnis/sammel-und-ruecknahmestellen>.

## Datenschutz

Wir weisen alle Endnutzer von Elektro- und Elektronikgeräten darauf hin, dass Sie für das Löschen personenbezogener Daten auf den zu entsorgenden Altgeräten selbst verantwortlich sind.

## Consignes de sécurité

Veillez lire attentivement ce manuel avant toute utilisation et le conserver pour pouvoir le consulter ultérieurement afin d'éviter les accidents, notamment les chocs électriques ou les incendies causés par une mauvaise utilisation.

### Avertissement

- Cet appareil peut être utilisé par des enfants à partir de 8 ans et par des personnes ayant des capacités physiques, sensorielles ou mentales réduites ou un manque d'expérience et de connaissances à condition qu'elles aient été placées sous surveillance ou qu'elles aient reçu des instructions concernant l'utilisation de l'appareil en toute sécurité et qu'elles comprennent les dangers encourus.
- L'aspirateur n'est pas un jouet. Les enfants ne doivent pas jouer avec ce produit ou l'utiliser. Soyez vigilant lorsque vous utilisez ce produit à proximité d'enfants. Les enfants ne sont pas autorisés à nettoyer ou à entretenir l'aspirateur sans la surveillance d'un parent ou d'un adulte.
- N'utilisez pas l'aspirateur à l'extérieur sur des surfaces mouillées. Utilisez-le uniquement sur des surfaces sèches à l'intérieur. Ne touchez pas la prise ou toute partie de l'aspirateur avec des mains mouillées.
- Vérifiez que la batterie au lithium et l'adaptateur de charge ne sont pas endommagés avant utilisation afin de réduire le risque d'incendie, d'explosion ou de blessure. N'utilisez pas l'aspirateur si l'un de ces éléments est endommagé.
- La rouelle pour tapis, la batterie, la broche du connecteur métallique et l'aspirateur sont conducteurs et ne doivent pas être immergés dans l'eau ou tout autre liquide. Veillez à sécher tous les filtres après nettoyage.
- Évitez les blessures causées par les pièces mobiles. Mettez l'aspirateur hors tension avant de nettoyer la barre multi-brosses intelligente. La barre multi-brosses intelligente, le compartiment à poussière et le filtre doivent être convenablement installés avant d'utiliser l'aspirateur.
- Utilisez uniquement l'adaptateur de charge d'origine. N'utilisez jamais d'adaptateur d'une autre marque, car la batterie au lithium pourrait prendre feu.
- N'utilisez pas l'aspirateur pour aspirer des liquides inflammables ou combustibles, comme de l'essence, ou de l'eau de javel, de l'ammoniaque, des nettoyeurs pour canalisations ou tout autre liquide.
- N'utilisez pas l'aspirateur pour aspirer des particules de plâtre, des cendres ou des matériaux de combustion ou des substances fumigènes, tels que du charbon, des mégots de cigarette ou des allumettes.
- N'utilisez pas l'aspirateur pour aspirer des objets durs ou pointus, comme du verre, des clous, des vis ou des pièces de monnaie sous peine d'endommager l'appareil.
- Tenez vos cheveux, tout vêtement ample, vos doigts et toute autre partie du corps éloignés des orifices et des pièces amovibles de l'aspirateur. Ne dirigez pas le tuyau, le tube ou les accessoires vers vos yeux ou vos oreilles et ne les placez pas dans votre bouche.

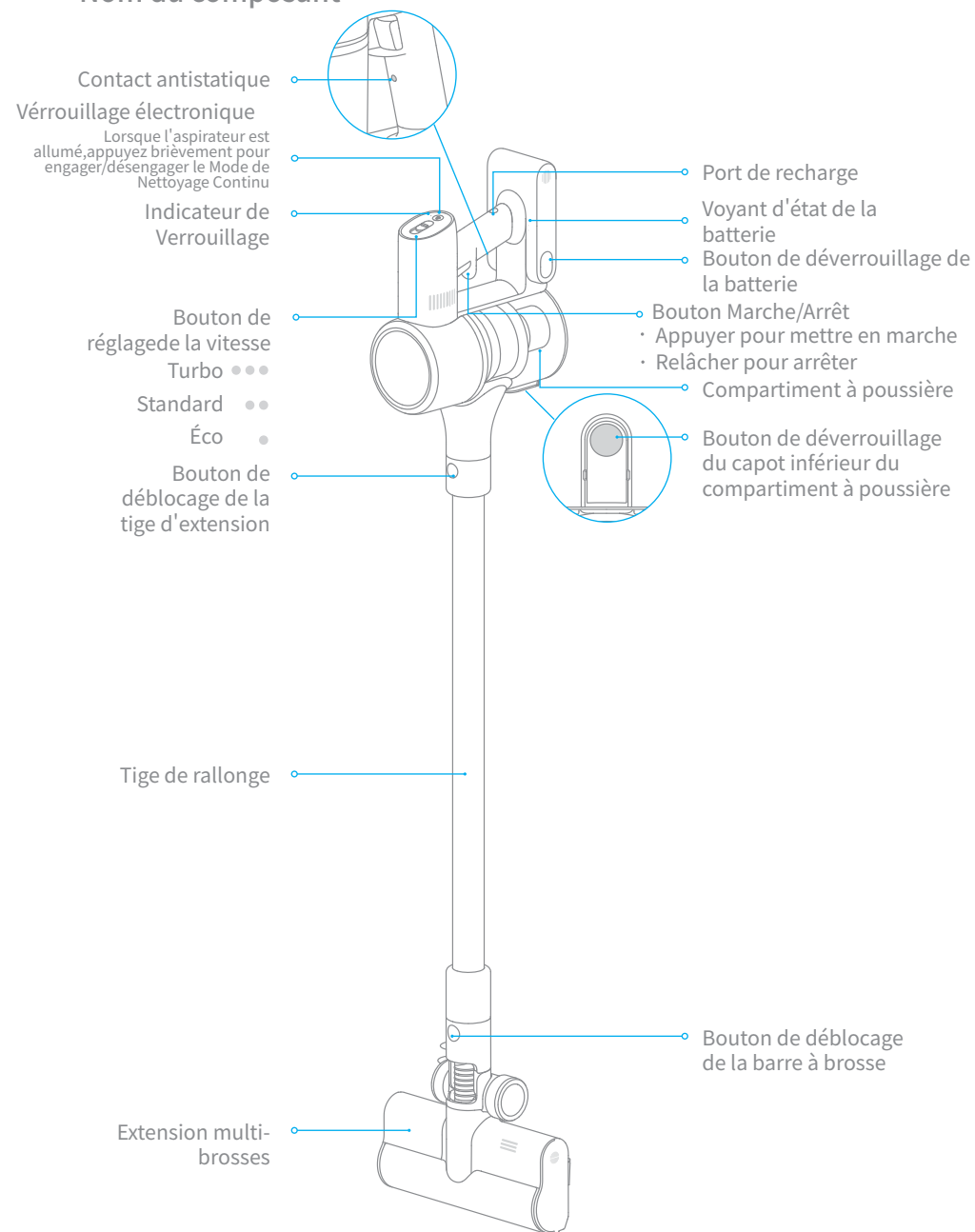
- Ne placez aucun objet dans les orifices de l'aspirateur. N'utilisez pas l'aspirateur en cas d'obstruction d'un des orifices. Retirez la poussière, les peluches, les cheveux ou tout autre élément susceptible de réduire le flux d'air.
- Ne placez pas l'aspirateur contre une chaise, une table ou toute surface instable sous peine d'endommager l'appareil ou de vous blesser. Si l'aspirateur est endommagé ou fonctionne mal en raison d'une chute, contactez notre service après-vente agréé. Ne tentez jamais de démonter l'appareil vous-même.
- Toutes les instructions du manuel relatives à la recharge de la batterie doivent être suivies scrupuleusement. Vous pourriez endommager la batterie si vous ne la chargez pas dans la plage de températures spécifiée.
- Veillez à débrancher l'aspirateur lorsqu'il n'est pas utilisé pendant une période prolongée ou avant tout entretien ou toute réparation.
- Soyez extrêmement vigilant lorsque vous utilisez l'aspirateur pour nettoyer un escalier.
- Ce produit ne doit pas être installé, chargé ou utilisé à l'extérieur, dans une salle de bains ou autour d'une piscine.
- Avertissement sur le risque d'incendie : N'appliquez aucun parfum dans le filtre de l'aspirateur. L'appareil pourrait prendre feu, car ces types de produits sont connus pour contenir des produits chimiques inflammables.
- Utilisez uniquement le chargeur d'origine (modèle YLS0251B-E300080 (EU) / YLS0241A-A300080 (AU)). Si cette consigne n'est pas respectée, la batterie lithium-ion risque de prendre feu.
- Utilisez uniquement le type de batterie approuvé (modèle P2010-7S1P-BW/P2010-7S1P-BWA/P2010-7S1P-BWB). Si cette consigne n'est pas respectée, la batterie lithium-ion risque de prendre feu.
- Si le matériau de la batterie fuit, éloignez le personnel de la zone jusqu'à ce que les batteries refroidissent et que les fumées se dissipent.
- Assurer une ventilation maximale pour dissiper les gaz dangereux et éviter le contact avec la peau et les yeux ou l'inhalation des vapeurs.
- Enlever le liquide répandu avec un absorbant et incinérer les déchets.
- Ne pas l'utiliser ni le déposer dans des environnements extrêmement chauds ou froids (en dessous de 0°C /32°F ou au-dessus de 40°C /104°F). Chargez à une température entre 0°C et 40°C en utilisant l'adaptateur d'alimentation d'origine.
- Ce produit est conçu pour une utilisation domestique uniquement.

Par la présente, Dreame Trading (Tianjin) Co., Ltd., déclare que cet équipement est conforme aux directives et normes européennes applicables, ainsi qu'à leurs amendements. L'intégralité de la déclaration de conformité pour l'UE est disponible à l'adresse suivante: [www.dreame-technology.com](http://www.dreame-technology.com)

Pour obtenir un manuel électronique détaillé, rendez-vous sur le site <https://www.dreame-technology.com/pages/user-manuals-and-faqs>

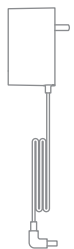
## Présentation du produit

### Nom du composant



# Présentation du produit

## Liste des accessoires



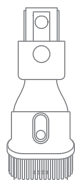
Chargeur



Tuyau souple extensible



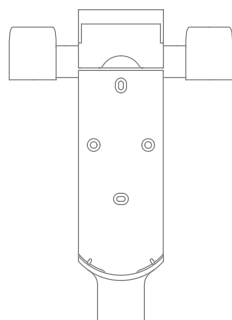
Bec pour fentes



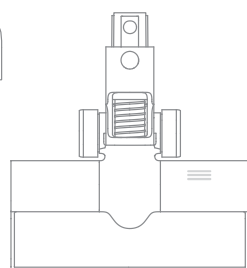
Bec de brosse 2-en-1



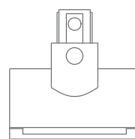
Tige de rallonge



Station de charge et de stockage 2-en-1  
(inclut 2 vis, 2 chevilles murales, un patron d'installation autocollant)



Extension multi-brosses



Mini brosse électrique

Rappel : Photo non contractuelle, veuillez vous référer aux objets concrets.

# Procédure d'installation

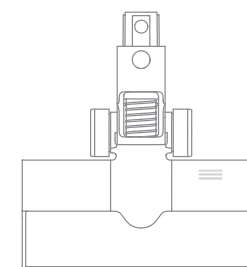
## Installation des accessoires sur l'aspirateur



Insérer jusqu'à entendre un déclic



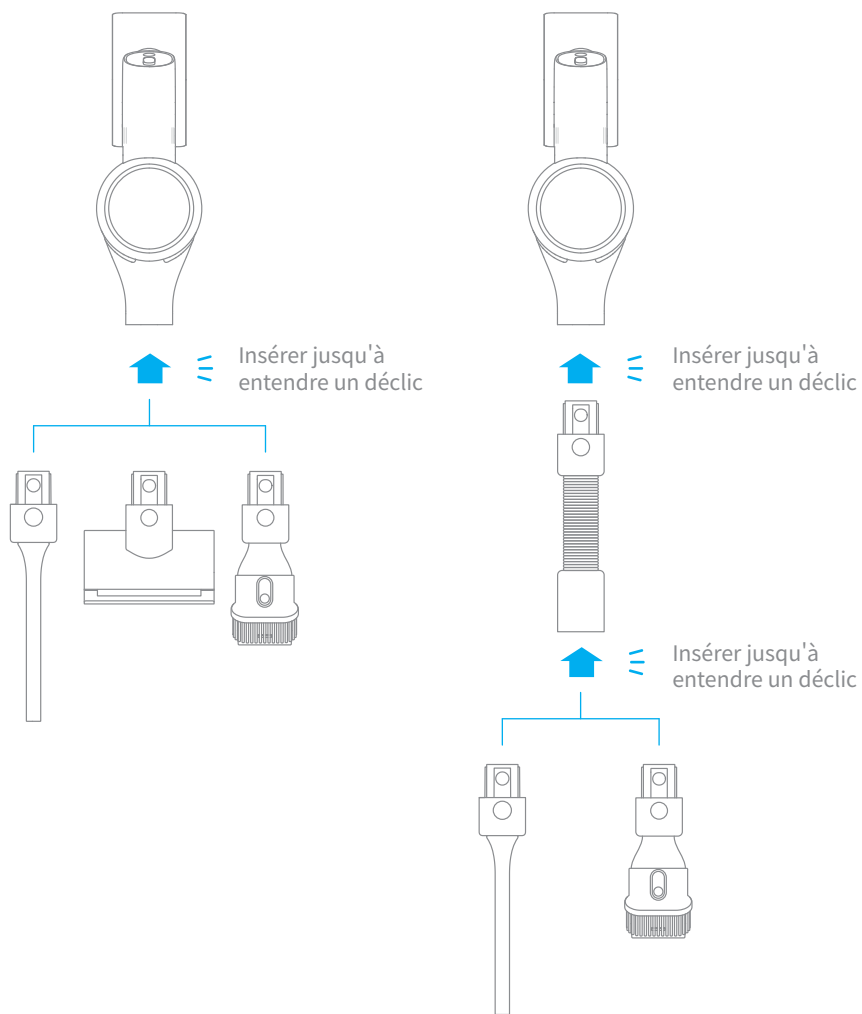
Insérer jusqu'à entendre un déclic





# Procédure d'installation

## Fixation des accessoires

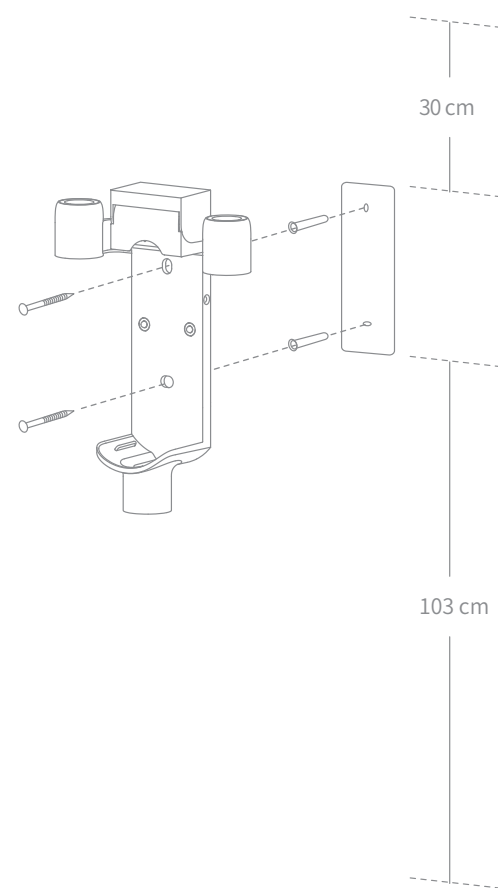


# Procédure d'installation

## Installation de la station de charge et de stockage 2-en-1

Cette station est un accessoire facultatif que vous pouvez installer en fonction de vos besoins.

1. La station de charge et de stockage 2-en-1 doit être installée dans un lieu sec et frais, à proximité d'une prise électrique. Avant l'installation, vérifiez qu'il n'y ait pas de fil électrique ou de tuyauterie dans l'espace directement situé derrière l'emplacement où sera placée la station.
2. Le bas du patron d'installation autocollant doit être horizontal et à 1,03 m du sol minimum. Un espace de 30 cm doit être libre au-dessus du patron (\*30 cm : Faites de la place pour l'achat de batterie de rechange à l'avenir).
3. Utilisez une perceuse électrique avec une fraise de 8 mm pour percer un trou à chaque emplacement indiqué sur le patron d'installation. Ensuite, insérez une cheville murale dans chaque trou.
4. Alignez les trous de montage sur la station de charge et de stockage 2-en-1 et ceux percés dans le mur. Fixez la station au mur à l'aide des vis fournies.



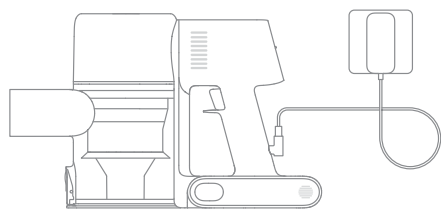
# Recharge

Chargez entièrement la batterie de l'aspirateur avant la première utilisation.

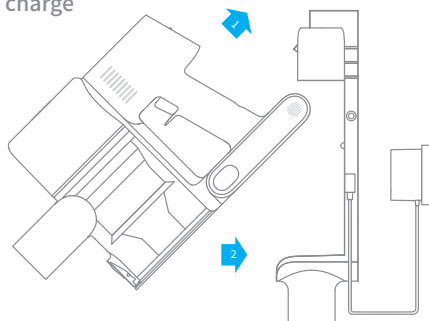
Remarque : Cette opération dure environ 3,5 heures. L'aspiration en mode Turbo pendant une période prolongée peut entraîner la surchauffe de la batterie, ce qui augmente le temps de charge. Laissez l'aspirateur refroidir pendant 30 minutes avant de le charger.

## Modes de charge

Recharge de l'aspirateur avec le chargeur



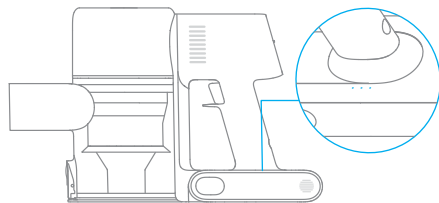
Recharge de l'aspirateur sur la station de charge



## Voyant d'état de la batterie

- ● ☀ Batterie faible
- ☀ ○ Batterie à moitié vide
- ☀ ○ ○ Batterie presque pleine
- ○ ○ Entièrement chargée

- Arrêt
- ☀ Clignotant
- Marche



Remarque : Une fois l'aspirateur entièrement chargé, le voyant s'éteint au bout de 5 minutes et l'appareil passe en mode économie d'énergie.

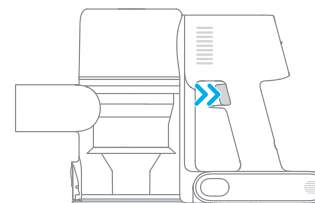
# Mode d'utilisation

## Mode de nettoyage

Il existe deux modes de fonctionnement pour l'aspirateur, qui peuvent être sélectionnés en fonction de vos propres besoins.

### Mode 1 : Mode de nettoyage discontinu

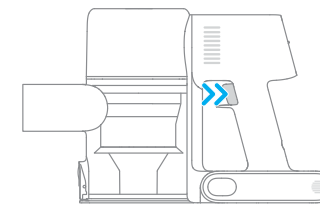
Dans ce mode, appuyez brièvement sur l'interrupteur pour suspendre le fonctionnement ou démarrer à nouveau, et le mode de fonctionnement de l'aspirateur ne changera pas.



### Mode 2 : Mode de nettoyage continu (verrouillage électronique)

Pour changer vers le Mode de Nettoyage Continu lorsque l'aspirateur est allumé, engagez la clé de verrouillage électronique. Relâchez ensuite le bouton marche/arrêt pour démarrer le Mode de Nettoyage Continu.

Utilisez le verrouillage électronique pour vous permettre de libérer vos doigts et éviter ainsi la fatigue causée par le maintien de l'interrupteur.



Remarque :

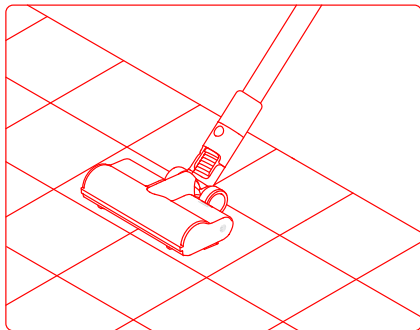
- Lorsque ce mode est active, l'indicateur de verrouillage devrait afficher une lumière constante.
- Cliquez à nouveau sur le verrouillage électronique pour quitter le mode de nettoyage continu.

# Mode d'utilisation

## Utilisation des différents accessoires

### Extension multi-brosses

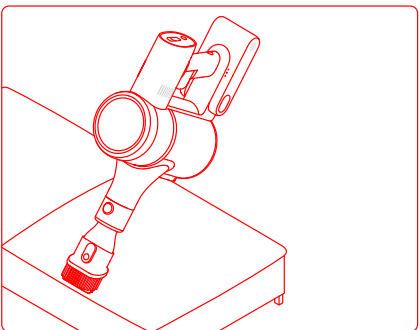
Adapte à l'aspiration des tapis d'épaisseur fine/moyenne, carreaux et sols.



Remarque: L'extension multi-brosses peut être rattachée directement à l'aspirateur.

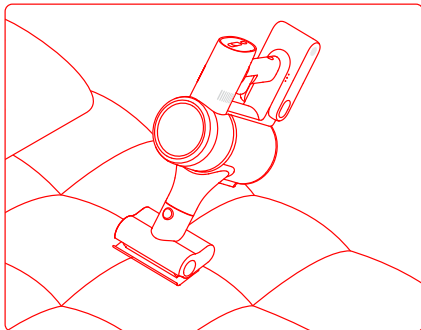
### Bec de brosse 2-en-1

Pour l'aspiration de rideaux, canapés, intérieur de véhicules, tables de salon, etc.



### Mini brosse électrique

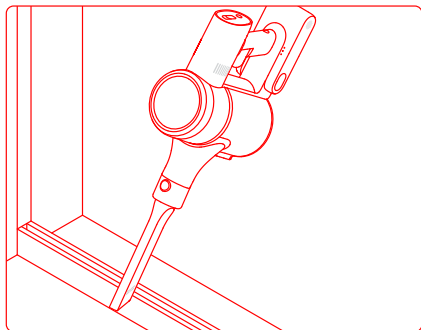
Pour l'aspiration de poussière, poils d'animaux et autres résidus tenaces sur des canapés, linges de lit et autres surfaces en tissu.



Remarque : il n'est pas recommandé de passer l'aspirateur sur les surfaces qui accrochent, comme la soie.

### Bec pour fentes

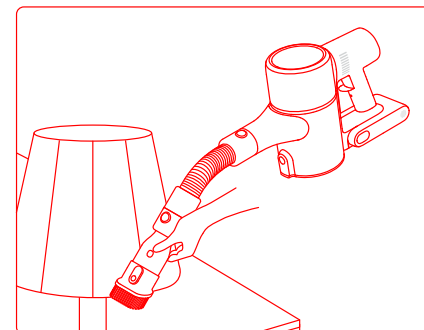
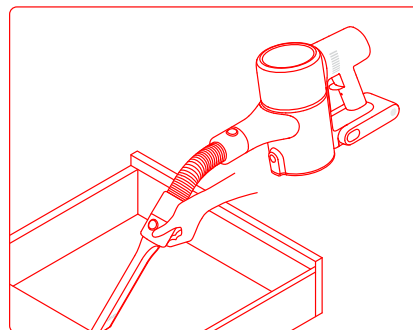
Adapté à l'aspiration dans les fentes, les coins des portes et fenêtres, les escaliers et tout autre endroit difficile d'accès.



# Mode d'utilisation

## Tuyau souple extensible

Adapte au nettoyage des endroits difficiles comme les tiroirs, intérieurs de véhicules et dessous de sofas



### Remarque :

- Si un pièce rotative se coince, l'aspirateur est susceptible de s'éteindre automatiquement. Retirez tout objet coincé dans l'aspirateur, puis poursuivez votre utilisation.
- Quand de la batterie surchauffe en fonctionnement, l'aspirateur s'éteint automatiquement. Attendez que la température de la batterie revienne à un niveau normal, puis poursuivez votre utilisation.

# Entretien et maintenance

## Précautions concernant la maintenance

- Utilisez toujours des pièces d'origine, faute de quoi la garantie pourrait être annulée.
- En cas d'obstruction du filtre ou du bec, l'aspirateur s'arrête de fonctionner peu après avoir été mis sous tension. Nettoyez le filtre ou le bec afin de rétablir son fonctionnement.
- Si vous ne prévoyez pas d'utiliser l'aspirateur pendant une période prolongée, chargez-le entièrement, débranchez-le, puis entreposez-le dans un endroit frais, à l'abri de l'humidité et de la lumière directe du soleil. Afin d'éviter une décharge excessive de la batterie, rechargez l'aspirateur au moins une fois tous les trois mois.

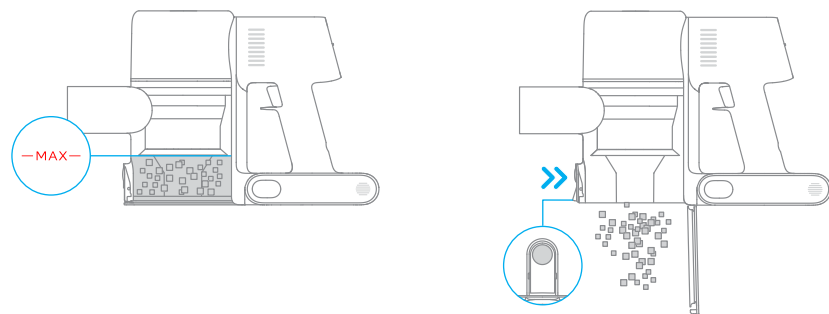
## Nettoyage de l'aspirateur Vacuum Cleaner

Essayez l'aspirateur avec un chiffon doux et sec.

## Nettoyage du compartiment à poussière, du préfiltre et de l'ensemble cyclone

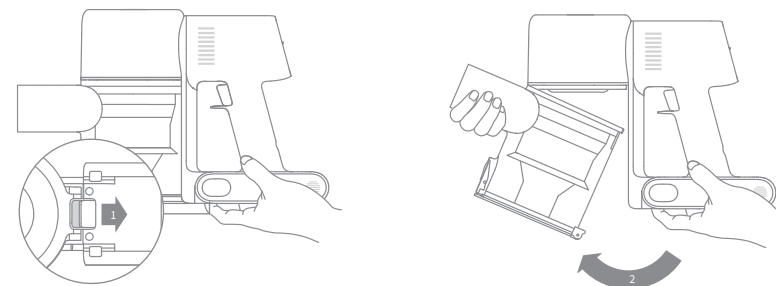
La capacité de nettoyage de l'aspirateur diminuera si le compartiment à poussière est rempli jusqu'au niveau « MAX ». Videz-le pour améliorer les performances. Avant de vider le compartiment, assurez-vous d'avoir bien débranché l'aspirateur et n'appuyez pas sur le bouton marche/arrêt.

1. Appuyez sur le bouton de déverrouillage du capot inférieur du compartiment à poussière, puis videz celui-ci.

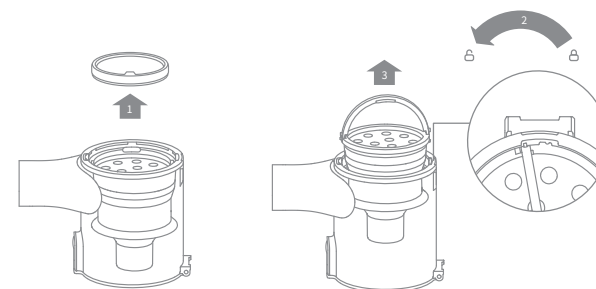


# Entretien et maintenance

2. Poussez l'interrupteur de déverrouillage du compartiment à poussière dans la direction indiquée par la flèche, puis retirez délicatement le compartiment à poussière de l'aspirateur.

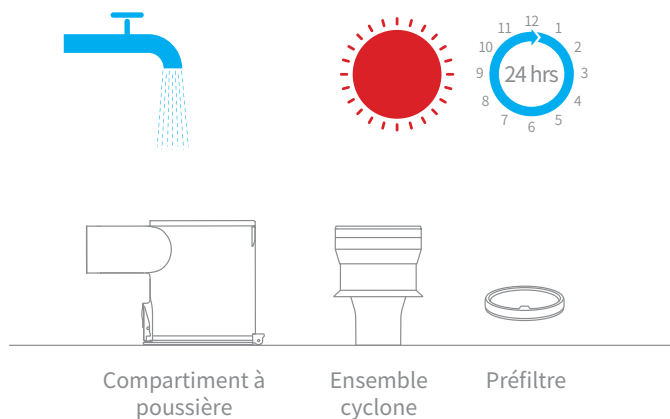


3. Retirez d'abord le préfiltre, puis levez la poignée de l'ensemble cyclone et tournez-la dans le sens inverse des aiguilles d'une montre jusqu'à ce qu'elle ne puisse plus tourner. Tirez ensuite pour soulever l'ensemble cyclone.



## Entretien et maintenance

4. Rincez le préfiltre, l'ensemble cyclone et le compartiment à poussière avec de l'eau jusqu'à ce qu'ils soient propres. Ensuite, laissez les composants sécher pendant au moins 24 heures.



Remarque :

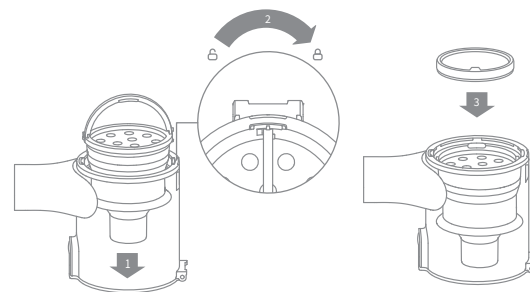
- Le compartiment à poussière doit être rincé au moins une fois par mois.
- Il est recommandé de nettoyer le pré-filtre, au moins, une fois tous les 3 mois et le système cyclone, au moins, une fois tous les 6 mois.

## Entretien et maintenance

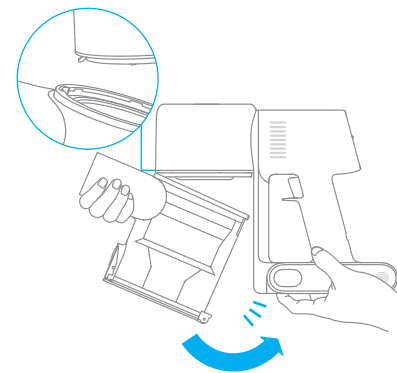
### Installation du compartiment à poussière, du préfiltre et de l'ensemble cyclone

1. Insérez l'ensemble cyclone à la verticale dans le compartiment à poussière. Assurez-vous que la poignée de l'ensemble cyclone est alignée avec l'encoche située à gauche du compartiment à poussière. Tournez la poignée dans le sens des aiguilles d'une montre jusqu'à ce qu'elle se verrouille, puis rabattez-la.

2. Placez le préfiltre face vers le haut dans l'ensemble cyclone.



3. Inclinez légèrement le compartiment à poussière pour que son encoche soit alignée avec le clip sur l'aspirateur. Enfoncez délicatement le compartiment à poussière jusqu'à entendre un déclic.

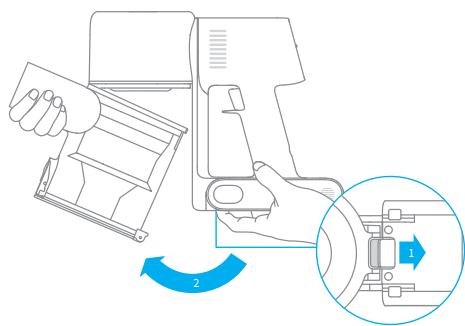


# Entretien et maintenance

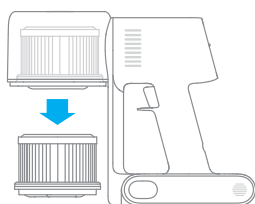
## Nettoyage du filtre

Il est recommandé de nettoyer le filtre tous les 4 à 6 mois.

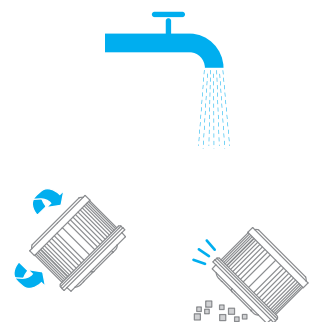
1. Retirez le compartiment à poussière comme illustré sur le schéma.



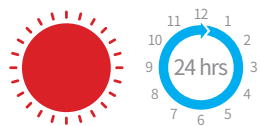
2. Retirez le filtre de l'aspirateur en tirant dessus, dans la direction indiquée sur le schéma.



3. Nettoyez le filtre avec de l'eau claire. Assurez-vous de faire pivoter le filtre à 360° afin de bien éliminer toute poussière coincée dedans. Tapotez légèrement le filtre plusieurs fois pour éliminer tout excès de poussière.



4. Laissez le filtre sécher complètement pendant au moins 24 heures.



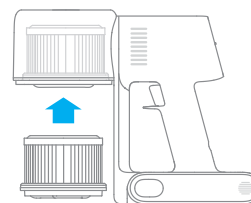
Remarque :

- Pour nettoyer le filtre, n'utilisez que de l'eau claire. N'utilisez pas de détergents.
- N'essayez pas de nettoyer le filtre avec une brosse ou vos doigts.

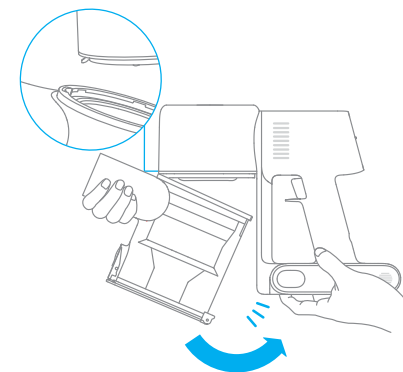
# Entretien et maintenance

## Installation du filtre

1. Insérez le filtre dans l'aspirateur et enfoncez-le délicatement, comme indiqué sur le schéma.



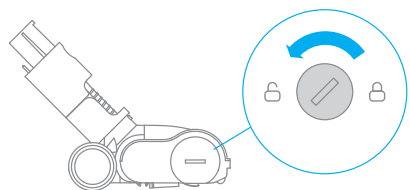
2. Réinstallez le compartiment à poussière.



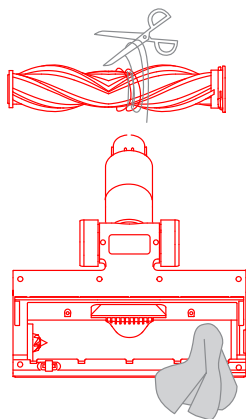
# Entretien et maintenance

## Nettoyage de l'extension multi-brosses

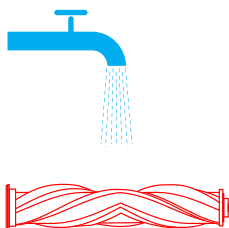
1. Tournez le verrou dans le sens inverse des aiguilles d'une montre jusqu'à rencontrer une résistance, puis enlevez la brosse à rouleau de son emplacement.



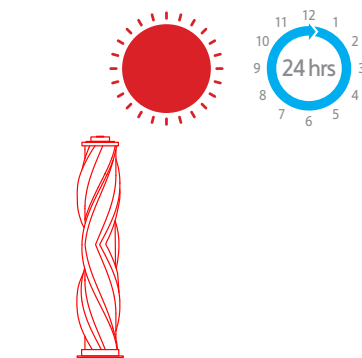
2. À l'aide de ciseaux, coupez et enlevez tout cheveu, poil ou autre saleté enroulé autour de la brosse à roulette. Enlevez tout excès de poussière de l'encoche et du couvercle en plastique transparent à l'aide d'un chiffon sec ou de papier absorbant.



3. Lorsqu'elle est sale, rincez la tête de la brosse avec de l'eau propre jusqu'à ce qu'elle soit propre.



4. Après nettoyage de la brosse à roulette, laissez-la sécher complètement à la verticale dans un endroit bien aéré pendant au moins 24 heures.



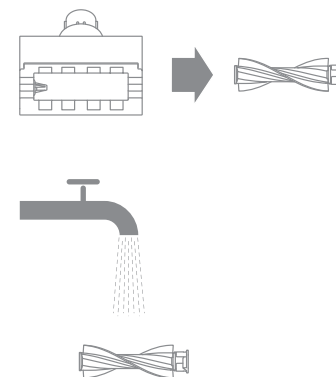
# Entretien et maintenance

## Nettoyage de la mini brosse électrique

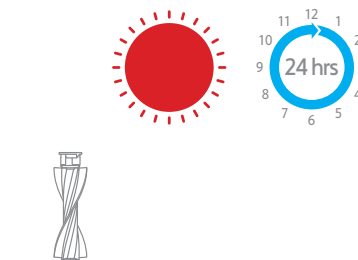
1. Utilisez une pièce de monnaie pour faire tourner le verrou dans le sens inverse des aiguilles d'une montre jusqu'à entendre un dé clic.



2. Une fois la brosse à roulette déverrouillée, retirez-la de la mini brosse électrique, puis rincez et nettoyez la brosse à roulette.



3. Après nettoyage de la brosse à roulette, laissez-la sécher complètement à la verticale dans un endroit bien aéré pendant au moins 24 heures.



4. Dès que la brosse à roulette est sèche, réinstallez-la en suivant la procédure de démontage dans l'ordre inverse.

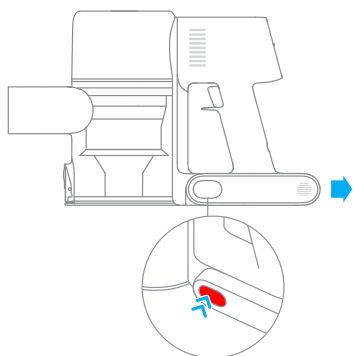


# Entretien et maintenance

## Batterie

L'aspirateur contient une batterie lithium-ion rechargeable disposant d'un nombre limité de cycles de charge. Après un usage prolongé, la batterie est susceptible de se décharger rapidement. Si c'est le cas, cela signifie que la batterie est arrivée au bout de sa durée de vie et doit être remplacée.

1. Appuyez sur le bouton de déverrouillage de la batterie et faites-la glisser vers la droite pour la retirer, comme illustré sur le schéma.
2. Installez la nouvelle batterie.



# Caractéristiques

Aspirateur			
Modèle	VTN1	Tension de charge	30 V ===
Puissance nominale	400 W	Tension nominale	25,2 V ===
Temps de Charge	Environ 3,5 heures		
Mini brosse électrique			
Modèle	DM002		
Puissance nominale	20 W	Tension nominale	25,2 V ===
Extension multi-brosses			
Modèle	AVB9		
Puissance nominale	40 W	Tension nominale	25,2 V ===
Chargeur			
Modèle	YLS0251B-E300080	Efficacité active moyenne	88,53%
Entrée nominale	100-240V~50/60Hz 0,8A max	Efficacité à charge faible (10%)	78,66%
Sortie nominale	30 V === 800 mA	Consommation d'énergie sans charge	0,09 W
Chargeur			
Modèle	YLS0241A-A300080	Efficacité active moyenne	86,98%
Entrée nominale	100-240 V~50/60 Hz 0,8 A max	Efficacité à charge faible (10%)	80,67%
Sortie nominale	30 V === 800 mA	Consommation d'énergie sans charge	0,08 W
Batterie rechargeable lithium-ion			
Modèle	P2010-7S1P-BW P2010-7S1P-BWB	Tension nominale	25,2 V ===
Capacité nominale	2400 mAh	Énergie	60,48 Wh
Batterie rechargeable lithium-ion			
Modèle	P2010-7S1P-BWA	Tension nominale	25,2 V ===
Capacité nominale	2350 mAh	Énergie	59,22 Wh



En cas de dysfonctionnement de l'aspirateur, consultez le tableau ci-dessous.

Erreurs	Cause possible	Solution
L'aspirateur ne fonctionne pas.	La batterie est déchargée ou faible.	Rechargez complètement l'aspirateur avant de reprendre votre utilisation.
	Le mode de protection contre la surchauffe se déclenche suite à une obstruction.	Attendez que l'aspirateur refroidisse, puis réactivez-le.
	L'orifice d'aspiration ou le conduit d'air est obstrué.	Retirez les débris susceptibles de bloquer l'orifice d'aspiration ou le conduit d'air.
La puissance d'aspiration est affaiblie.	Le compartiment à poussière est rempli et/ou le filtre est obstrué.	Videz le compartiment à poussière et nettoyez l'ensemble filtre.
	L'accessoire est obstrué.	Retirez les débris susceptibles d'obstruer l'accessoire.
Le moteur fait un bruit anormal.	L'orifice d'aspiration principal ou la tige de rallonge est obstrué(e).	Retirez les débris susceptibles de bloquer le suceur principal ou la tige de rallonge.
Le premier voyant est rouge après avoir allumé l'aspirateur.	La batterie est endommagée.	Contactez le service après-vente pour assurer la maintenance.
Le premier voyant clignote en rouge quand l'aspirateur est en charge.	Le chargeur n'est pas compatible.	Utilisez uniquement le chargeur d'origine pour recharger l'aspirateur.

Erreurs	Cause possible	Solution
Le voyant de batterie ne s'allume pas lorsque l'aspirateur est en charge.	Le chargeur n'est pas connecté à l'aspirateur.	Assurez-vous que le chargeur est branché correctement.
	La batterie est complètement chargée et l'appareil est passé en mode veille.	L'aspirateur peut être utilisé normalement.
	Si le problème persiste après avoir écarté les deux possibilités ci-dessus.	Contactez le service après-vente qui vous aidera.
La batterie charge lentement.	La température de la batterie est trop basse ou trop élevée.	Attendez que la température de la batterie revienne à un niveau normal, puis reprenez votre session de nettoyage.

La batterie lithium-ion contient des substances dangereuses pour l'environnement. Avant de mettre l'aspirateur au rebut, retirez d'abord la batterie pour la jeter ou la recycler conformément à la législation et à la réglementation locales du pays ou de la région dans lequel ou laquelle il est utilisé.

## Informations DEEE



Tous les produits portant ce symbole deviennent des déchets d'équipements électriques et électroniques (DEEE dans la Directive européenne 2012/19/UE) qui ne doivent pas être mélangés aux déchets ménagers non triés. Vous devez contribuer à la protection de l'environnement et de la santé humaine en apportant l'équipement usagé à un point de collecte dédié au recyclage des équipements électriques et électroniques, agréé par le gouvernement ou les autorités locales. Le recyclage et la destruction appropriés permettront d'éviter tout impact potentiellement négatif sur l'environnement et la santé humaine. Contactez l'installateur ou les autorités locales pour obtenir plus d'informations concernant l'emplacement ainsi que les conditions d'utilisation de ce type de point de collecte.



Points de collecte sur [www.quefairedemesdechets.fr](http://www.quefairedemesdechets.fr)  
Privilégiez la réparation ou le don de votre appareil !

# IT **Importanti istruzioni disicurezza**

Per evitare scosse elettriche, incendi e altre lesioni accidentali causate da un uso improprio, leggere attentamente questo manuale di istruzioni prima dell'uso.

## **Avvertenze**

- Questo dispositivo non può essere utilizzato da persone con disabilità fisiche, sensoriali o intellettuali e da persone senza esperienza e conoscenza pertinenti, compresi i bambini, a meno che non vi sia supervisione o guida di un tutore per garantirne l'utilizzo sicuro.
- Ai bambini è vietato utilizzare o giocare con il dispositivo. Quando si utilizza il prodotto vicino a un bambino, è necessario prestare particolare attenzione; al bambino è vietato provvedere alla pulizia o alla manutenzione del dispositivo senza un tutore.
- Non utilizzare su superfici esterne o bagnate. Utilizzare solo su superfici interne asciutte. Non toccare la spina o qualsiasi parte del dispositivo con le mani bagnate.
- Verificare che la batteria al litio e il caricabatterie non siano danneggiati prima dell'uso. Per prevenire incendi, esplosioni o lesioni, non utilizzare l'aspirapolvere quando la batteria al litio o il caricabatterie sono danneggiati.
- La barra multi-spazzola, la mini spazzola elettrica, la batteria, l'asta di metallo e il dispositivo principale dell'aspirapolvere sono tutte parti in tensione. Non lavarle immergendole in acqua o altri liquidi. Dopo la pulizia quotidiana, assicurarsi che tutti i filtri siano completamente asciutti.
- Evitare i danni causati dalle parti mobili. Spegnerne l'aspirapolvere prima di pulire la barra multi-spazzola. La barra multi-spazzola, il raccogli-polvere ed il filtro devono essere tutti installati appropriatamente prima dell'uso dell'aspirapolvere.
- Utilizzare solo il caricabatterie originale, non utilizzare un adattatore non ufficiale, poiché ciò potrebbe provocare l'incendio della batteria al litio.
- Non utilizzare questa apparecchiatura per acqua, benzina e altri liquidi infiammabili o esplosivi, non inalare soluzioni tossiche come candeggina al cloro, ammoniaca, detersivi per fognature o altri liquidi.
- È vietato utilizzare questo aspirapolvere per pulire la polvere di cartongesso, la brace del camino e la cenere e astenersi dall'inalare il fumo o bruciare materiali come carbone, mozziconi di sigaretta o fiammiferi. È vietato utilizzare l'aspirapolvere per pulire oggetti appuntiti come vetro, chiodi, viti, monete, altrimenti danneggerà l'aspirapolvere.
- Non utilizzare l'aspirapolvere per raccogliere oggetti duri o taglienti, come vetro, unghie, viti o monete, che potrebbero danneggiarlo.
- Tenere il flusso d'aria e le parti mobili del dispositivo lontano da capelli, indumenti larghi, dita e altre parti del corpo. Non puntare connettori metallici o altri accessori verso gli occhi, le orecchie o la bocca.
- Non posizionare oggetti sul bocchaglio. È vietato bloccare la bocca di aspirazione quando si utilizza l'aspirapolvere. Polvere, cotone idrofilo, capelli o altri oggetti possono indebolire il flusso d'aria. Pulirlo per tempo.

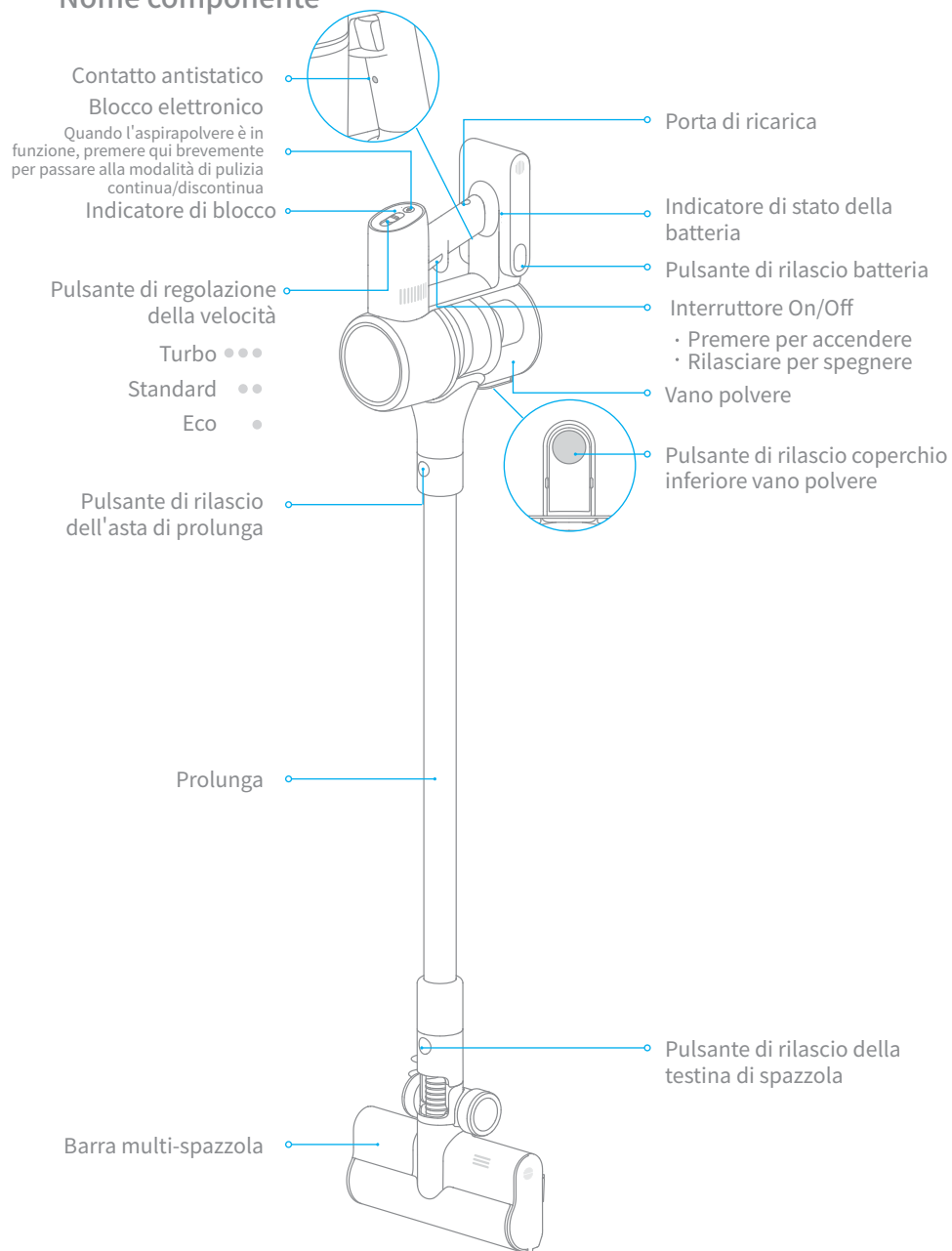
- Non posizionare l'aspirapolvere sulla sedia, sul tavolo da pranzo e su altre superfici instabili per evitare danni all'aspirapolvere o danni all'utente. Quando l'aspirapolvere è rotto, danneggiato o funziona in modo anomalo, contattare il Servizio di Assistenza ufficiale autorizzata per lo smaltimento.
- Caricare la batteria rispettando scrupolosamente le istruzioni contenute nel manuale. Se non viene caricata correttamente entro l'intervallo di temperatura specificato, la batteria potrebbe danneggiarsi.
- Scollegare l'unità per lunghi periodi di tempo e prima della manutenzione o della riparazione.
- Prestare particolare attenzione quando si utilizza la pulizia del prodotto.
- Non installare, caricare o utilizzare il dispositivo all'aperto, in bagno o in piscina.
- Avviso di pericolo di incendio, non applicare alcun prodotto aromatico al filtro di questo prodotto, poiché i prodotti chimici in tali prodotti sono infiammabili e causano l'incendio del prodotto.
- Utilizzare esclusivamente il caricabatterie originale (modello YLS0251B-E300080 (EU) / YLS0241A-A300080 (AU)). In caso contrario, la batteria agli ioni di litio potrebbe prendere fuoco.
- Utilizzare esclusivamente il tipo di batteria approvato (modello P2010-7S1P-BW/ P2010-7S1P-BWA/P2010-7S1P-BWB). In caso contrario, la batteria agli ioni di litio potrebbe prendere fuoco.
- Se si verifica una fuoriuscita del materiale delle batterie, evacuare il personale dall'area fino a quando le batterie non si sono raffreddate e i fumi dispersi.
- Assicurare la massima ventilazione per eliminare i gas nocivi ed evitare il contatto con la pelle e gli occhi o l'inalazione dei vapori.
- Rimuovere il liquido fuoriuscito con materiale assorbente e incenerire i rifiuti.
- Non utilizzare o conservare il prodotto in ambiente estremamente caldo o freddo (inferiore a 0°C / 32°F o superiore a 40°C / 104°F). Utilizzare l'adattatore di alimentazione originale per la ricarica a temperatura tra 0°C e 40°C.
- Il prodotto è progettato esclusivamente per uso domestico.

Con la presente, Dreame Trading (Tianjin) Co., Ltd. dichiara che questo apparecchio è conforme alle direttive applicabili e alle norme europee, nonché ai relativi emendamenti. Il testo completo della dichiarazione di conformità UE è disponibile al seguente indirizzo Internet: [www.dreame-technology.com](http://www.dreame-technology.com)

Il manuale elettronico dettagliato è disponibile all'indirizzo <https://www.dreame-technology.com/pages/user-manuals-and-faqs>

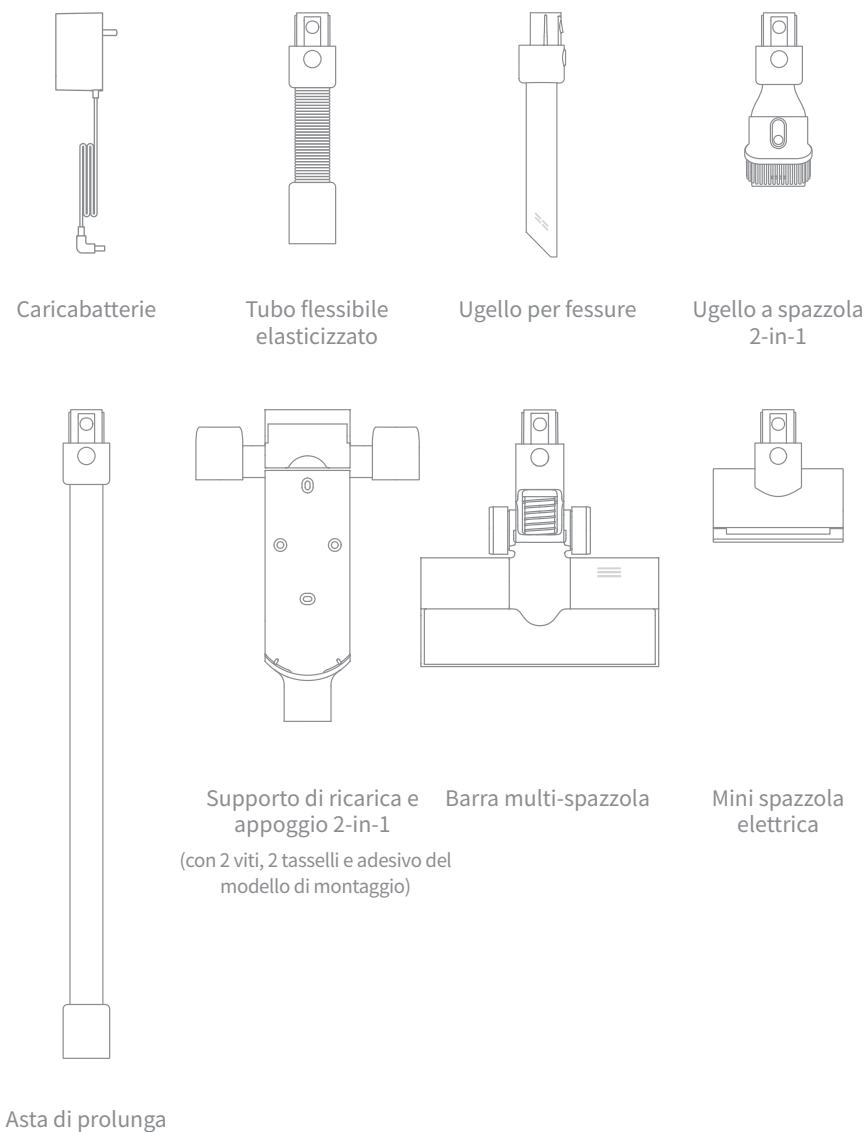
# Panoramica del prodotto

## Nome componente



# Panoramica del prodotto

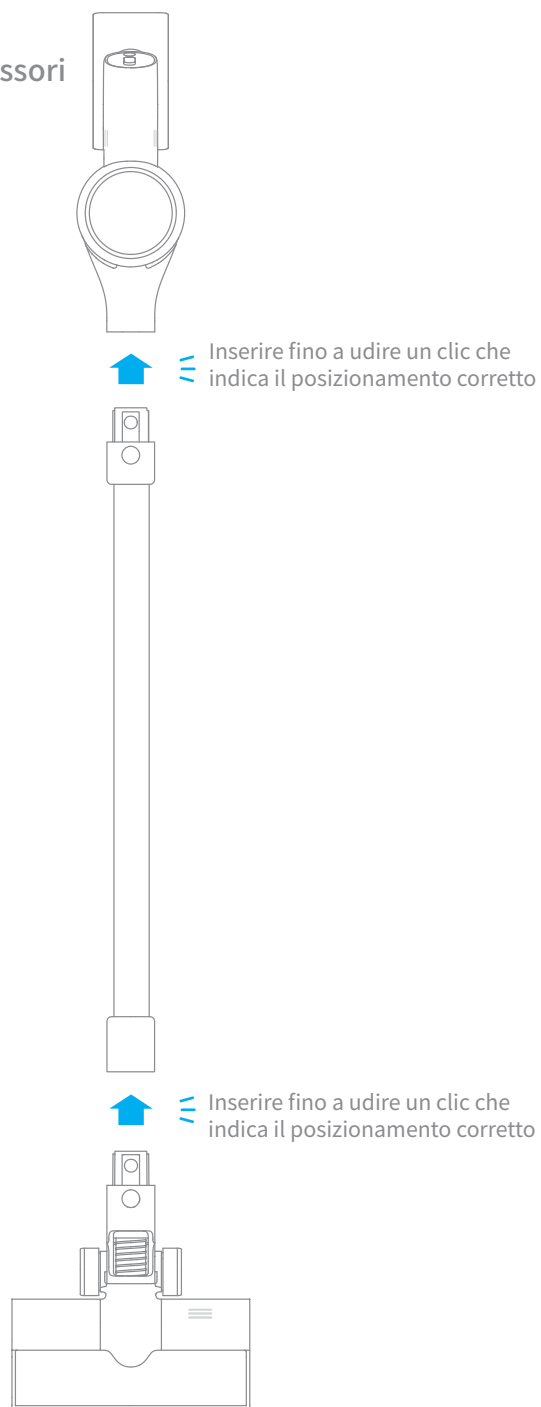
## Elenco accessori



Promemoria: La specifica è solo di riferimento, il reale aspetto si basa sull'oggetto.

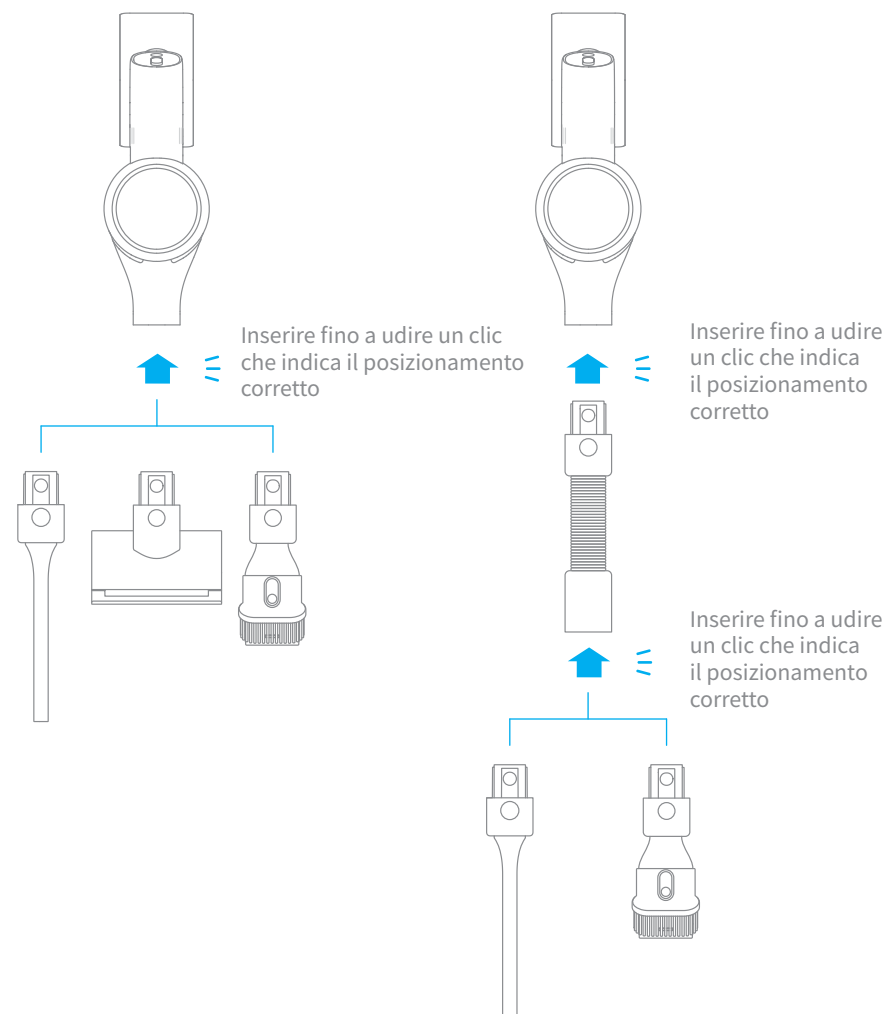
# Installazione

Installazione degli accessori nell'aspirapolvere



# Installazione

Collegamento degli accessori

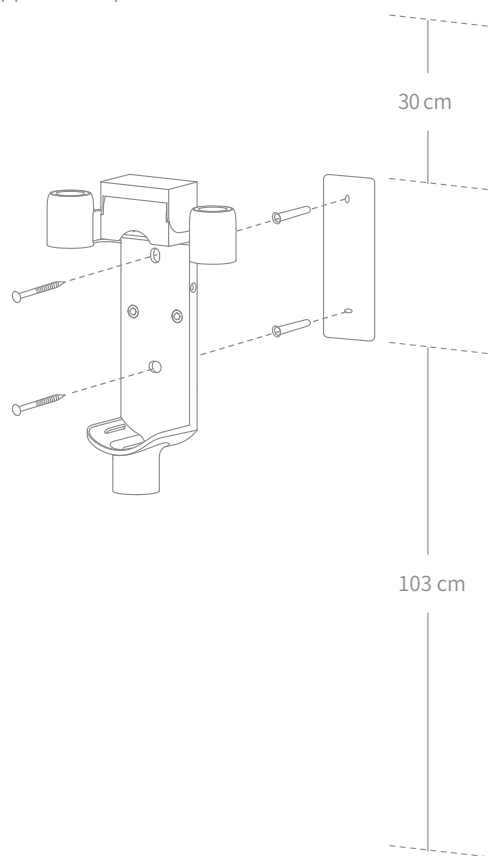


# Installazione

## Installazione del supporto di ricarica e appoggio 2-in-1

Il supporto di ricarica e appoggio 2-in-1 è un accessorio opzionale, che può essere installato in base alle proprie esigenze.

1. Il supporto di ricarica e appoggio 2-in-1 deve essere installato in un luogo fresco e asciutto con una presa elettrica nelle vicinanze. Prima di installarlo, assicurarsi che non siano presenti fili o tubi nello spazio di installazione direttamente dietro al supporto.
2. La parte inferiore dell'adesivo del modello di montaggio deve essere piana e distante almeno 1,03 m da terra, mentre la parte superiore deve avere almeno 30 cm di spazio libero sopra di essa. (\*30cm: Lascia lo spazio per l'acquisto di una batteria di ricambio in futuro.)
3. Utilizzare un trapano elettrico con una punta da 8 mm per praticare un foro su ciascun marcatore di foro sull'adesivo del modello di montaggio, quindi inserire un tassello in ciascun foro.
4. Allineare i fori di montaggio sul supporto di ricarica e appoggio 2-in-1 ai fori sulla parete, quindi fissare il supporto alla parete utilizzando le viti in dotazione.



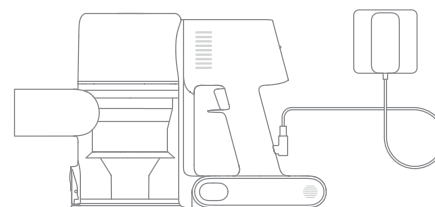
# Ricarica

Caricare completamente l'aspirapolvere prima di utilizzarlo per la prima volta.

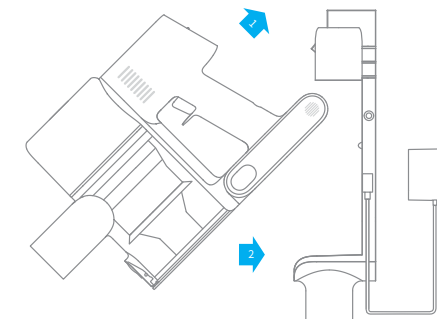
Nota: L'operazione richiede circa 3,5 ore. L'aspirazione in modalità turbo per un periodo prolungato determina il riscaldamento della batteria, con conseguente aumento del tempo di ricarica. Lasciare raffreddare l'aspirapolvere per 30 minuti prima di ricaricarlo.

## Modalità di ricarica

Ricarica dell'aspirapolvere con il caricabatterie



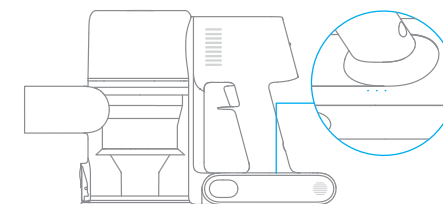
Ricarica dell'aspirapolvere sul supporto di ricarica



## Indicatore di stato della batteria

- ● ☀ Batteria scarica
- ☀ ○ Batteria a metà
- ☀ ○ ○ Quasi carica
- ○ ○ Ricarica completata

- Spento
- ☀ Intermittente
- Acceso



Nota: Quando l'aspirapolvere è completamente carico, l'indicatore si spegne dopo 5 minuti e viene attivata la modalità di risparmio energetico.

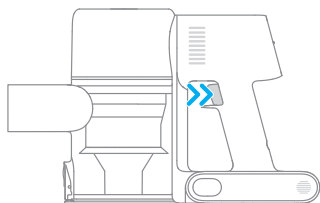
# Modalità d'utilizzo

## Modalità Pulizia


Ci sono due modalità di lavoro per l'aspirapolvere, che possono essere selezionate a secondo delle proprie esigenze.

### Modalità 1: Modalità Pulizia Discontinua

Tenere premuto il tasto dell'aspirapolvere per avviare il lavoro, e rilasciarlo per arrestarlo immediatamente.



### Modalità 2: Modalità Pulizia Continua (blocco elettronico)

Quando l'aspirapolvere è in funzione, fare clic sul tasto  per passare alla modalità di lavoro continuo. A questo punto, rilasciare l'interruttore del dispositivo e continuerà a funzionare.

Usare il blocco elettronico per non usare troppo le tue dita ed evitare un affaticamento causato tenendo premuto l'interruttore.



Nota:

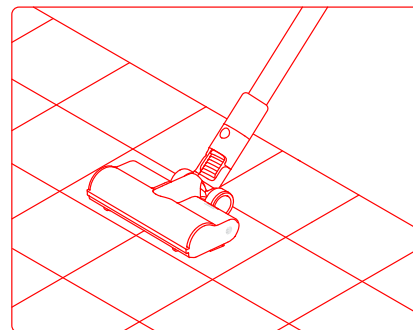
- Durante il funzionamento in modalità di lavoro continuo, l'indicatore di blocco è sempre acceso.
- Premere il blocco elettronico nuovamente per abbandonare la Modalità Pulizia Continua.

# Modalità d'utilizzo

## Uso degli accessori

### Barra multi-spazzola

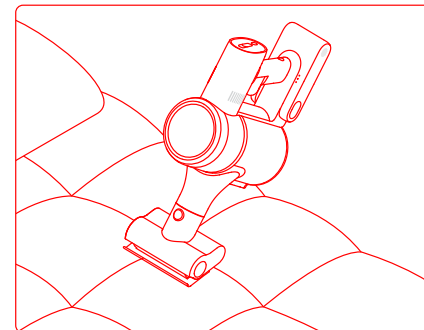
Adatto per la pulizia di tappeti a pelo medio e corto. Può essere utilizzato anche per la pulizia di piastrelle e pavimenti.



Nota: La barra multi-spazzola può anche essere installata direttamente sul dispositivo.

### Mini spazzola elettrica

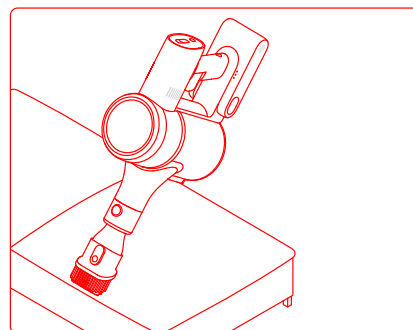
Per aspirare sporco, peli di animali domestici e altri residui ostinati da divani, biancheria da letto e altre superfici in tessuto.



Nota: Si raccomanda di non aspirare superfici facilmente impigliabili, come la seta.

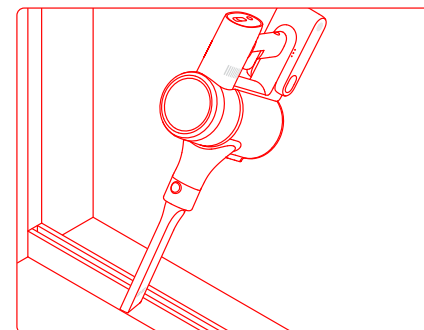
### Ugello a spazzola 2-in-1

Per aspirare tende, divani, interni di veicoli, tavolini da caffè e così via.



### Ugello per fessure

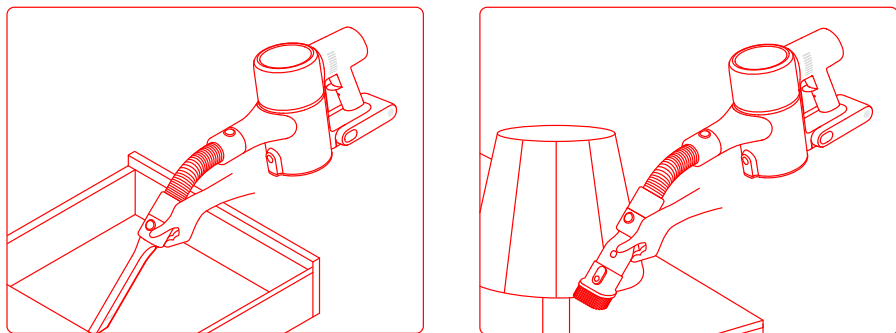
Consente di aspirare in fessure, angoli di porte e finestre, scale e altri punti difficili da raggiungere.



## IT Modalità d'utilizzo

### Tubo flessibile elasticizzato

È adatto per la pulizia di angoli difficili da raggiungere come cassetti, interni di auto, fondi di divani, ecc.



### Nota:

- Se una delle parti rotanti si blocca, l'aspirapolvere potrebbe spegnersi automaticamente. Eliminare eventuali corpi estranei intrappolati, quindi riprendere l'uso.
- Quando la batteria si surriscalda, l'aspirapolvere si spegne automaticamente. Attendere che la temperatura della batteria torni alla normalità, quindi riprendere l'utilizzo.

## IT Cura e manutenzione

### Precauzioni di manutenzione

- Utilizzare sempre parti originali per evitare che la garanzia decada.
- Se il filtro o l'ugello si intasa, l'aspiratore smette di funzionare poco dopo l'accensione. Per ripristinare il normale funzionamento, pulire il filtro o l'ugello.
- Se l'aspirapolvere non viene utilizzato per un lungo periodo, ricaricarlo completamente, scollegarlo dalla presa di corrente, quindi conservarlo in un ambiente fresco e a bassa umidità, lontano dalla luce diretta del sole. Per evitare di scaricare eccessivamente la batteria, ricaricare l'aspirapolvere almeno una volta ogni tre mesi.

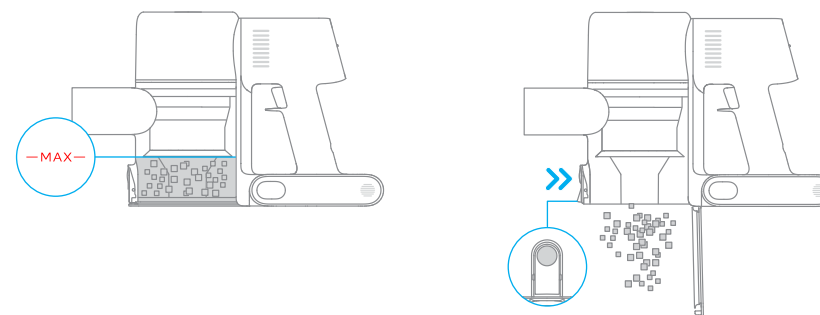
### Pulizia dell'aspirapolvere

Pulire l'aspirapolvere con un panno morbido e asciutto.

### Pulizia del vano polvere, del pre-filtro e del sistema ciclonico

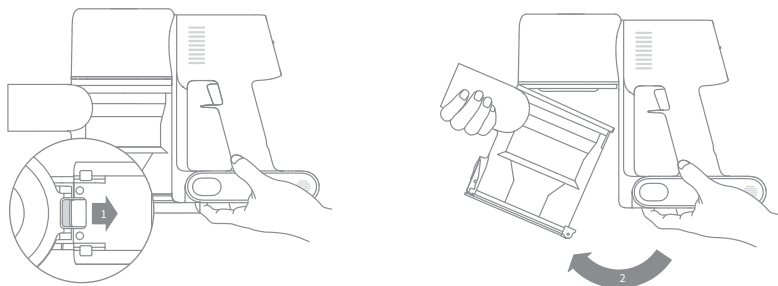
La capacità di pulizia dell'aspirapolvere si riduce se il vano polvere si riempie fino al segno "MAX". Per ripristinare le prestazioni, svuotare il vano polvere tempestivamente. Prima di svuotare il vano, assicurarsi che l'aspirapolvere sia disconnesso dalla presa di corrente e non premere il pulsante di accensione.

1. Premere il pulsante di rilascio del coperchio inferiore del vano polvere, quindi svuotare il contenuto.

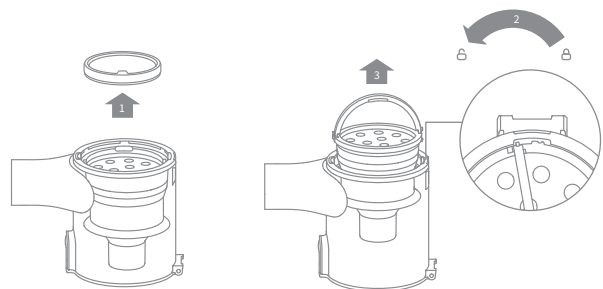


## Cura e manutenzione

2. Spingere l'interruttore di rilascio del vano polvere nella direzione indicata dalla freccia, quindi rimuovere delicatamente il vano polvere dall'aspirapolvere.



3. Rimuovere prima il pre-filtro, quindi sollevare l'impugnatura del sistema ciclonico e ruotarla in senso antiorario fino all'arresto, quindi tirare per sollevare il sistema ciclonico.



## Cura e manutenzione

4. Sciacquare il pre-filtro, il sistema ciclonico e il vano polvere con acqua finché non risultano puliti, quindi mettere da parte ciascun componente per almeno 24 ore per farlo asciugare completamente.



Nota:

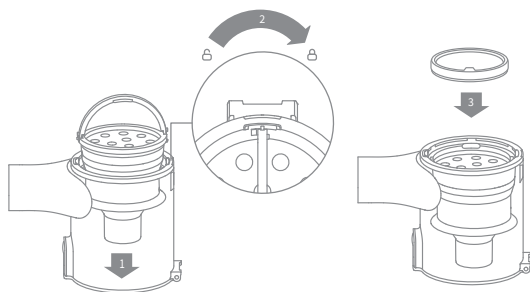
- Il vano polvere deve essere risciacquato almeno una volta al mese.
- Si consiglia di pulire il prefiltro almeno una volta ogni 3 mesi e il sistema ciclonico almeno una volta ogni 6 mesi.



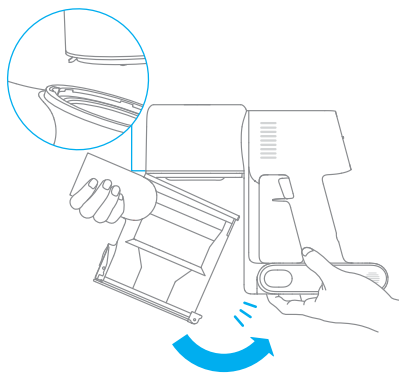
## Cura e manutenzione

### Installazione del vano polvere, del pre-filtro e del sistema ciclonico

1. Inserire il sistema ciclonico verticalmente nel vano polvere assicurandosi che l'impugnatura del sistema ciclonico sia allineata alla fessura sul lato sinistro del vano polvere. Ruotare l'impugnatura in senso orario finché non si blocca, quindi tirarla verso il basso.
2. Posizionare il pre-filtro con il lato anteriore rivolto verso il sistema ciclonico.



3. Inclinare leggermente il vano polvere in modo che il relativo alloggiamento risulti allineato al fermo dell'aspirapolvere. Quindi premere delicatamente il vano polvere finché non scatta in posizione.

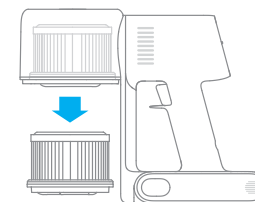
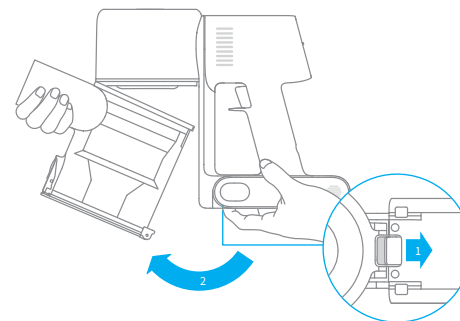


## Cura e manutenzione

### Pulizia del filtro

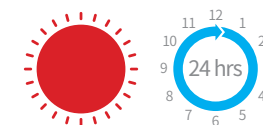
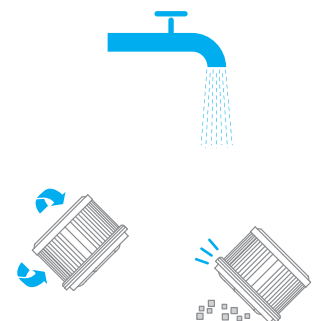
Si consiglia di pulire il filtro una volta ogni 4-6 mesi.

1. Rimuovere il vano polvere come mostrato nella figura.
2. Rimuovere il filtro dall'aspirapolvere tirandolo verso il basso nella direzione mostrata nella figura.



3. Pulire il filtro con acqua pulita. Assicurarsi di ruotare il filtro di 360° per rimuovere accuratamente tutta la polvere intrappolata nel filtro. Picchiettare leggermente il filtro più volte per rimuovere lo sporco in eccesso.

4. Lasciare asciugare completamente il filtro per almeno 24 ore.



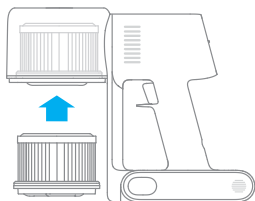
Nota:

- Per pulire il filtro, utilizzare esclusivamente acqua pulita. Non utilizzare detersivi.
- Non tentare di pulire il filtro con una spazzola o con le dita.

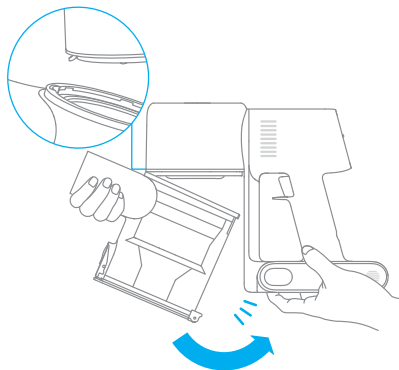
# Cura e manutenzione

## Installazione del filtro

1. Inserire il filtro nell'aspirapolvere, quindi premere delicatamente verso il basso, come illustrato.



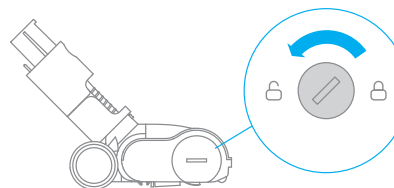
2. Reinstallare il vano polvere.



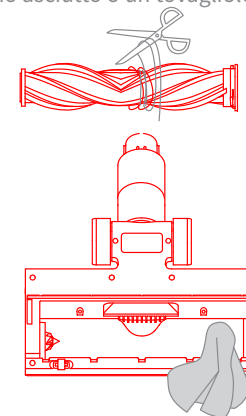
# Cura e manutenzione

## Pulire la barra multi-spazzola

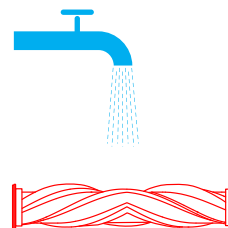
1. Ruotare la fibbia di blocco in senso antiorario fino alla posizione di arresto come mostrato in figura, ed estrarre la spazzola a rullo dalla spazzola per pavimenti.



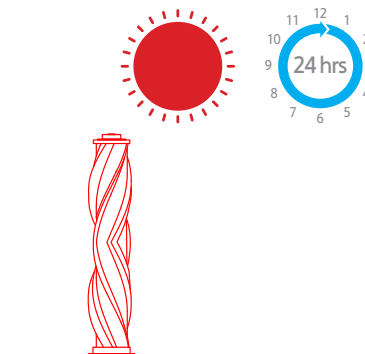
2. Utilizzare delle forbici per tagliare ed estrarre capelli o altri detriti aggrovigliati intorno alla spazzola a rullo. Rimuovere la polvere in eccesso dall'alloggiamento e dal coperchio in plastica trasparente con un panno asciutto o un tovagliolo di carta.



3. Quando è sporco, sciacquare la testina con acqua pulita fino a quando non è pulita.



4. Dopo il lavaggio, lasciare asciugare completamente la spazzola a rullo mantenendola in posizione verticale in un'area ben ventilata per almeno 24 ore.



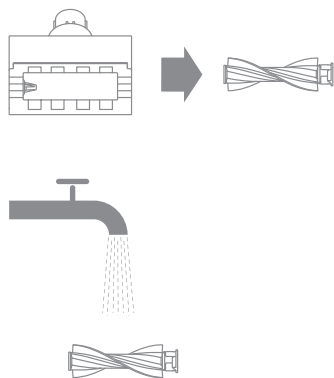
## Cura e manutenzione

### Pulizia della mini spazzola elettrica

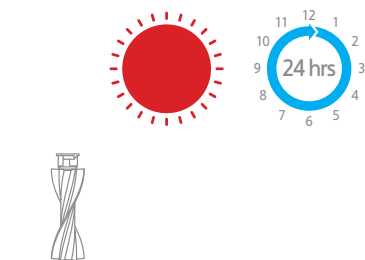
1. Usare una monetina per ruotare il blocco in senso antiorario finché non si sente un clic.



2. Dopo aver sbloccato la spazzola a rullo, rimuoverla dalla mini spazzola elettrica, quindi sciacquare e pulire la spazzola a rullo.



3. Dopo il lavaggio, lasciare asciugare completamente la spazzola a rullo mantenendola in posizione verticale in un'area ben ventilata per almeno 24 ore.



4. Quando è asciutta, reinstallare la spazzola a rullo seguendo a ritroso le istruzioni fornite per lo smontaggio.

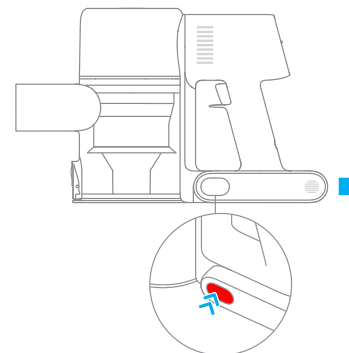


## Cura e manutenzione

### Batteria

L'aspirapolvere contiene una batteria ricaricabile agli ioni di litio rimovibile che dispone di un numero limitato di cicli di ricarica. Dopo un uso prolungato, la batteria potrebbe non mantenere più la carica. Se ciò si verifica, la batteria ha raggiunto la fine del ciclo di vita e deve essere sostituita.

1. Premere il pulsante di rilascio della batteria e farla scorrere verso destra per rimuoverla.
2. Installare la nuova batteria.



# Specifiche tecniche

Aspirapolvere			
Modello	VTN1	Tensione di ricarica	30 V ===
Potenza nominale	400 W	Tensione nominale	25,2 V ===
Tempo di ricarica	Circa 3,5 ore		
Mini spazzola elettrica			
Modello	DM002		
Potenza nominale	20 W	Tensione nominale	25,2 V ===
Barra multi-spazzola			
Modello	AVB9		
Potenza nominale	40 W	Tensione nominale	25,2 V ===
Caricabatterie			
Modello	YLS0251B-E300080	Efficienza attiva media	88,53%
Tensione nominale	100-240V~50/60Hz 0,8A max	Efficienza a basso carico (10%)	78,66%
Uscita nominale	30 V === 800 mA	Consumo di energia a vuoto	0,09 W
Caricabatterie			
Modello	YLS0241A-A300080	Efficienza attiva media	86,98%
Ingresso	100-240 V~50/60 Hz 0,8 A max	Efficienza a basso carico (10%)	80,67%
Uscita	30 V === 800 mA	Consumo di energia a vuoto	0,08 W
Batteria agli ioni di litio ricaricabile			
Modello	P2010-7S1P-BW P2010-7S1P-BWB	Tensione nominale	25,2 V ===
Capacità nominale	2400 mAh	Energia	60,48 Wh
Batteria agli ioni di litio ricaricabile			
Modello	P2010-7S1P-BWA	Tensione nominale	25,2 V ===
Capacità nominale	2350 mAh	Energia	59,22 Wh

# Domande Frequenti

Se l'aspirapolvere non funziona correttamente, fare riferimento alla tabella di risoluzione dei problemi riportata di seguito.

Errore	Possibile causa	Soluzione
L'aspirapolvere non funziona.	La batteria è completamente o quasi scarica.	Caricare completamente l'aspirapolvere, quindi riprendere l'uso.
	Entra in modalità di protezione da surriscaldamento attivata da un'ostruzione.	Attendere che l'aspirapolvere si raffreddi, quindi riattivarlo.
	La bocchetta di aspirazione o il passaggio dell'aria è ostruito.	Rimuovere le ostruzioni dalla bocchetta di aspirazione o dal passaggio dell'aria.
La potenza di aspirazione è diminuita.	Il vano polvere è pieno e/o il filtro è intasato.	Svuotare lo scomparto raccogli polvere e pulire il filtro.
	L'accessorio è ostruito.	Eliminare eventuali ostruzioni nell'accessorio.
Il motore emette un rumore strano.	La bocchetta di aspirazione principale o l'asta di prolunga è ostruita.	Rimuovere le ostruzioni dalla bocchetta di aspirazione principale o dall'asta di prolunga.
La prima spia è rossa dopo l'accensione dell'aspirapolvere.	La batteria è danneggiata.	Contattare il servizio di assistenza post-vendita per la manutenzione.
La prima spia lampeggia in rosso durante la ricarica dell'aspirapolvere.	Il caricabatterie non è compatibile.	Per ricaricare l'aspirapolvere, utilizzare esclusivamente il caricabatterie originale.

Errore	Possibile causa	Soluzione
La spia della batteria non si accende durante la ricarica.	Il caricabatterie non è collegato all'aspirapolvere.	Assicurarsi che il caricabatterie sia collegato correttamente.
	La batteria è completamente carica e si è avviata la modalità di risparmio energia.	È possibile utilizzare l'aspirapolvere normalmente.
	Se il problema persiste anche dopo aver escluso le due ipotesi indicate in precedenza.	Contattare il servizio post-vendita per ottenere assistenza.
La batteria si ricarica lentamente.	La temperatura della batteria è troppo bassa o troppo alta.	Attendere che la temperatura della batteria torni alla normalità, quindi riprendere l'utilizzo.

La batteria agli ioni di litio contiene sostanze pericolose per l'ambiente. Prima di gettare via l'aspirapolvere, rimuovere la batteria, quindi smaltirlo o riciclarlo in conformità alle leggi e alle normative locali del Paese o dell'area in cui viene utilizzato.

## Informazioni RAEE



Tutti i prodotti contrassegnati da questo simbolo sono rifiuti di apparecchiature elettriche ed elettroniche (RAEE in base alla direttiva 2012/19/UE) che non devono essere smaltiti assieme a rifiuti domestici non differenziati. Al contrario, è necessario proteggere l'ambiente e la salute umana consegnando i rifiuti a un punto di raccolta autorizzato al riciclaggio di rifiuti di apparecchiature elettriche ed elettroniche, predisposto dalla pubblica amministrazione o dalle autorità locali. Lo smaltimento e il riciclaggio corretti aiutano a prevenire conseguenze potenzialmente negative all'ambiente e alla salute umana. Contattare l'installatore o le autorità locali per ulteriori informazioni sulla sede e per i termini e le condizioni di tali punti di raccolta.

Scatola	Manuale	Borsa	Pellicola	Adesivo	Maniglia	Etichetta
PAP 20	PAP 22	CPE 7	PET 1	PP 5	PP5	PAP 21
Carta	Carta	Plastica				Carta

### RACCOLTA DIFFERENZIATA

Verifica le disposizioni del tuo Comune.  
Separa le componenti e conferiscile in modo corretto.

Antes de utilizar este electrodoméstico, lea todas las instrucciones y etiquetas de advertencia incluidas en este manual y en la Máquina, para evitar descargas eléctricas, incendios y otras lesiones accidentales causadas por el uso incorrecto.

## Advertencia

- Este aparato no puede ser utilizado por personas con limitaciones físicas, sensoriales o mentales, o sin experiencia y conocimiento (niños incluidos), a menos que sean supervisados y reciban instrucciones sobre el uso seguro de la máquina por parte de un adulto responsable de su seguridad y entiendan los riesgos que implicados.
- No permita que la máquina se utilice como un juguete, se debe vigilar a los niños para asegurarse de que no juegan con la máquina. Preste mucha atención si es utilizada cerca o por niños o se utiliza cerca de ellos. Se prohíbe que los niños realicen la limpieza y el mantenimiento de la máquina sin supervisión.
- Esta máquina está diseñada para uso doméstico exclusivamente. No la utilice en el exterior ni sobre superficies mojadas. No manipule ningún componente ni el enchufe con las manos mojadas.
- Revise la batería de litio y el cargador antes de usarlos. Para evitar incendios, explosiones o lesiones, no use la aspiradora cuando la batería de litio o el cargador estén dañados.
- El cepillo todo-terreno, el mini cepillo eléctrico, la batería, la varilla metal conectora y el cuerpo principal de la aspiradora son conductores de electricidad y no deben sumergirse en agua u otro líquido. Asegúrese de secar todos los filtros después de limpiarlos.
- Para evitar lesiones causadas por piezas móviles, apague la aspiradora antes de limpiar el cepillo todo-terreno. El cepillo todo-terreno, el depósito de polvo y los filtros deben estar instalados correctamente antes de utilizar la aspiradora..
- Use solo el cargador original, no use un adaptador no oficial, ya que otro tipo de cargador puede provocar que la batería de litio se incendie.
- No utilice la aspiradora para recoger agua, ni para aspirar gasolina u otros líquidos inflamables o explosivos. No recoja líquido tóxico como cloro, amoníaco, limpiadores de alcantarillas u otros.
- Está prohibido usar esta aspiradora para limpiar polvo sobre paneles de yeso, cenizas de chimenea y ceniza, no aspire nada que esté en llamas o desprenda humo como, por ejemplo, carbón, cigarrillos, cerillas o cenizas incandescentes. Está prohibido usar la aspiradora para limpiar objetos afilados como vidrio, clavos, tornillos, monedas, de lo contrario, dañará la aspiradora.
- No utilice el aspirador para recoger objetos afilados o duros, como vidrio, clavos, tornillos o monedas, que puedan dañar la máquina.
- Evite que el pelo, la ropa, los dedos o cualquier otra parte del cuerpo entre en contacto con las aberturas o las piezas móviles. No apunte con la manguera, la empuñadura o los accesorios a los ojos u orejas, ni se los meta en la boca.
- No introduzca ningún objeto en las aberturas de la máquina. No utilice la máquina si alguna abertura está bloqueada; manténgalo limpio de polvo, pelusa, pelo o

cualquier otra sustancia que pueda reducir el flujo de aire.

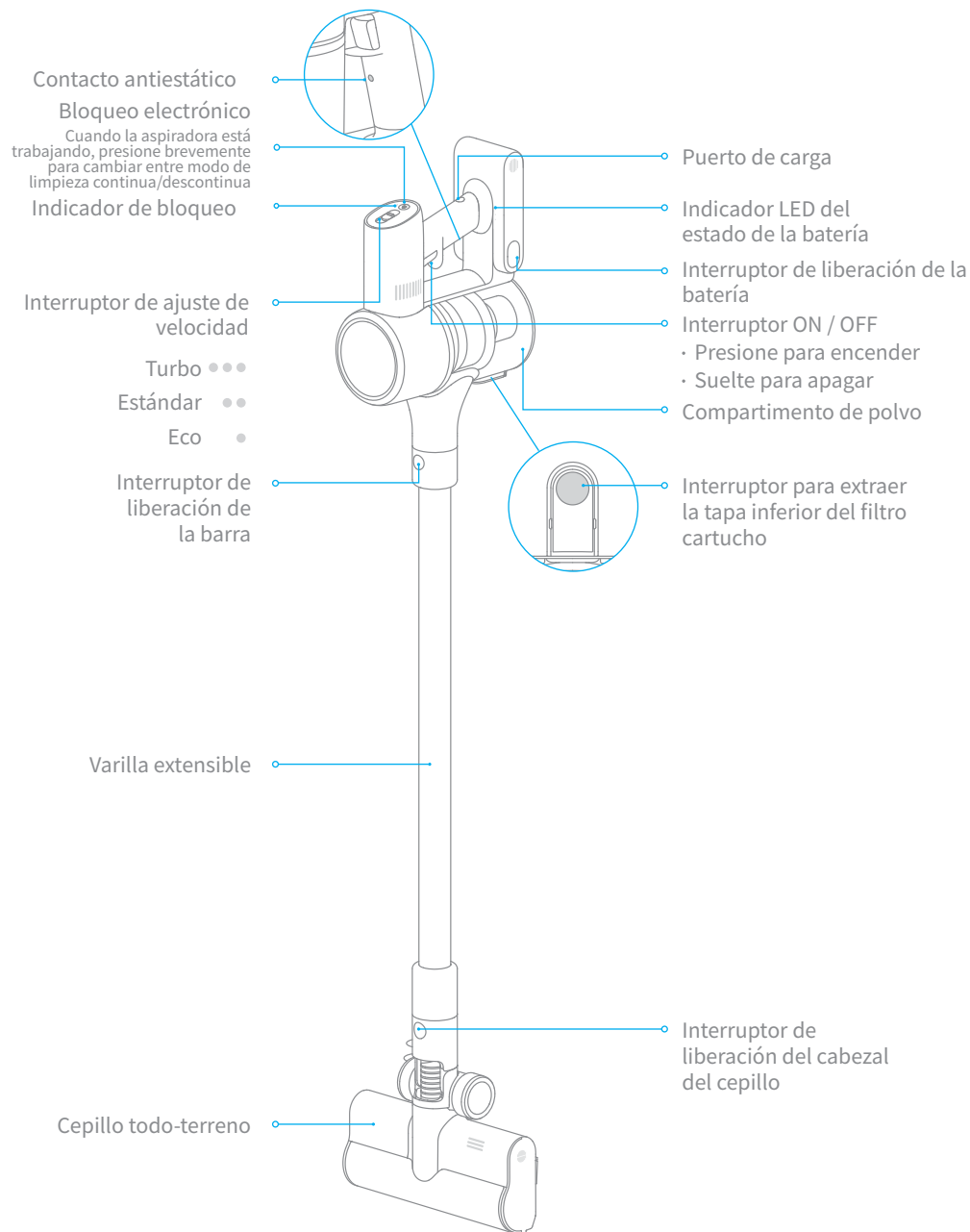
- No coloque la aspiradora sobre la silla, la mesa del comedor y otras superficies inestables para evitar daños a la aspiradora o daños al usuario. No utilice la máquina si no funciona correctamente, ha recibido un golpe, se ha caído o ha sufrido daños. Póngase en contacto con el servicio de Atención al Cliente de Dreame, no desmonte la máquina.
- Cargue la batería siguiendo estrictamente las instrucciones del manual. Si no se carga adecuadamente dentro del rango de temperatura especificado, la batería puede dañarse.
- Desconecte el cargador cuando no se utilice durante períodos prolongados y antes de realizar labores de mantenimiento.
- Preste atención mientras limpia en escaleras.
- No instale, cargue ni use este aparato en el exterior, en el baño o alrededor de la piscina.
- Alerta de incendio, no aplique ninguna fragancia o producto perfumado al filtro de este aparato. Las sustancias químicas en este tipo de productos son conocidas por ser inflamables y pueden causar que el aparato se incendie.
- Utilice únicamente el cargador original (modelo YLS0251B-E300080 (EU) / YLS0241A-A300080 (AU)). No hacerlo, podría provocar que la batería de ion de litio se incendie.
- Utilice únicamente el tipo de batería aprobado (modelo P2010-7S1P-BW/P2010-7S1P-BWA/P2010-7S1P-BWB). No hacerlo, podría provocar que la batería de ion de litio se incendie.
- Si se produce una fuga en la batería, asegúrate de que no hay nadie cerca hasta que las baterías se enfríen y los humos se disipen.
- Ventila la zona todo lo posible para eliminar los gases perjudiciales y evita el contacto con los ojos y la inhalación de vapores.
- Limpia el líquido derramado con un producto absorbente e incinera los residuos.
- No lo use ni almacene en ambientes extremadamente calientes o fríos (por debajo de 0°C / 32°F o por encima de 40°C / 104°F). Utilice el adaptador de alimentación original para cargar el robot a una temperatura de 0°C a 40°C.
- Lea y guarde estas instrucciones.

Nosotros, Dreame Trading (Tianjin) Co., Ltd., por la presente, declaramos que el equipo cumple con las Directivas y Normas Europeas aplicables y las enmiendas. Encontrará el texto completo de la declaración de conformidad de la UE en esta dirección de Internet: [www.dreame-technology.com](http://www.dreame-technology.com)

Para un manual electrónico detallado, vaya a <https://www.dreame-technology.com/pages/user-manuals-and-faqs>

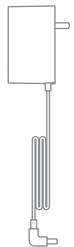
# Descripción del producto

## Nombre del componente



# Descripción del producto

## Lista de accesorios



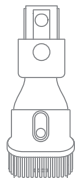
Cargador



Manguera



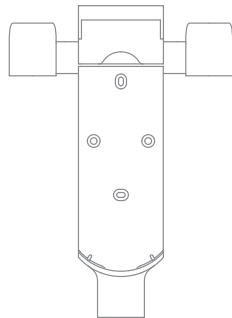
Boquilla para ranuras



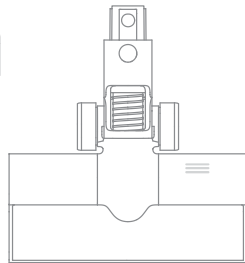
Boquilla combinada (2 en 1)



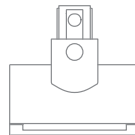
Varilla extensible



Soporte de carga y almacenamiento 2 en 1  
(incluye 2 tornillos, 2 tacos y una plantilla de montaje adhesiva)



Cepillo todo-terreno



Minicepillo eléctrico

Nota: La imagen es solo de referencia, el objeto real no necesariamente se relaciona con la imagen.

# Montaje

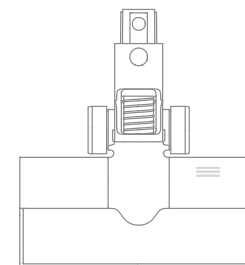
## Instalar los accesorios en la aspiradora



Insértelo hasta que encaje en su sitio.

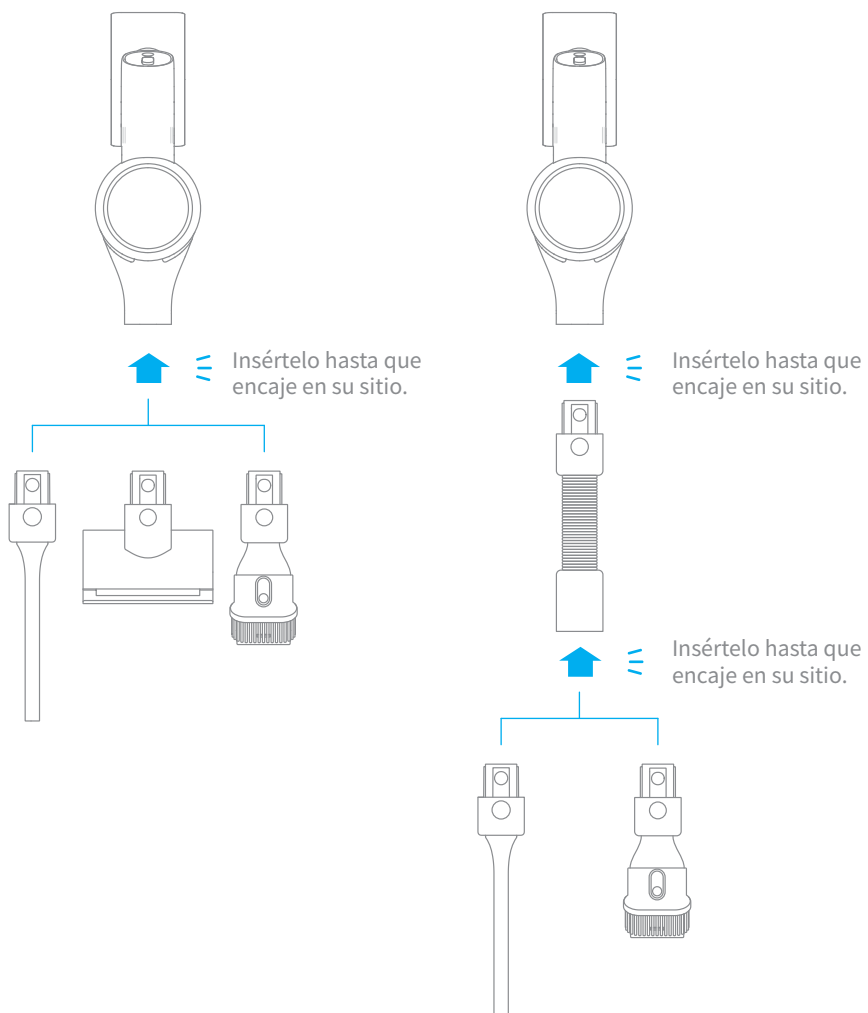


Insértelo hasta que encaje en su sitio.



# Montaje

## Diagrama para el montaje de accesorios

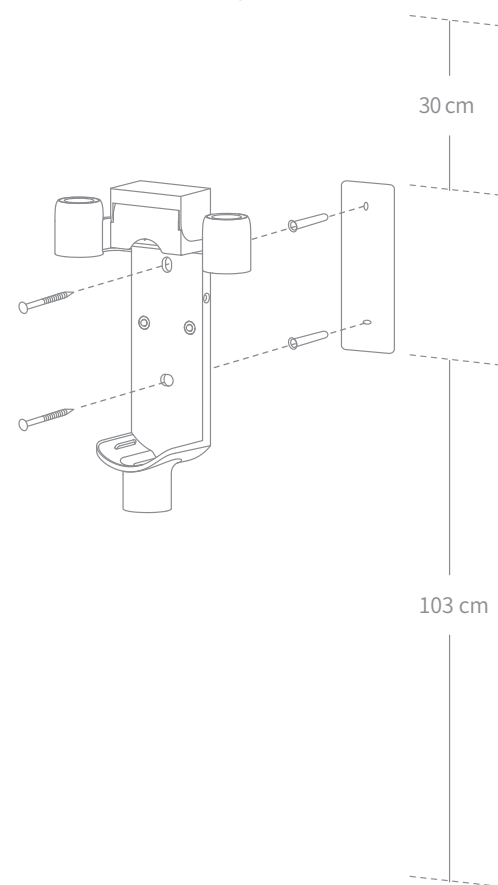


# Montaje

## Montar el soporte de carga y almacenamiento (2 en 1)

El soporte de carga y almacenamiento (2 en 1) es un accesorio opcional, puede montarlo según sus necesidades.

1. El soporte de carga y almacenamiento (2 en 1) debe ser instalado en un lugar fresco y seco, con un enchufe cercano. Antes de instalarlo, asegúrese de que no haya ningún otro objeto donde se montaría el soporte.
2. La parte inferior de la pegatina de la plantilla de montaje debe estar nivelada y, al menos, a 1,03 m del suelo. La parte superior debe tener al menos un espacio de 30 cm sobre ella (\*30cm: deje espacio para baterías de reemplazo en el futuro).
3. Utilice un taladro eléctrico con una broca de 8 mm para hacer un orificio en cada marcador de la pegatina de la plantilla de montaje y, a continuación, inserte un taco en cada orificio.
4. Alinee los orificios de montaje del soporte de carga y almacenamiento 2 en 1 con los orificios de la pared y, a continuación, fije el soporte a la pared con los tornillos incluidos.





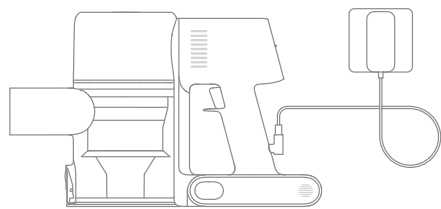
# Carga

Cargue completamente la aspiradora antes de usarla por primera vez.

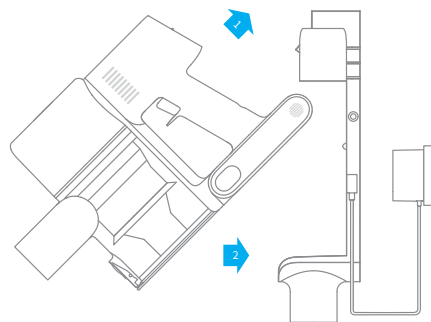
Nota: Esto puede tardar unas 3,5 horas. Si se aspira en modo turbo durante un período prolongado, la batería se calentará. Se recomienda dejar que el aspirador se enfríe durante 30 minutos antes de cargarlo de nuevo.

## Modos de carga

Cargar la aspiradora con el cargador



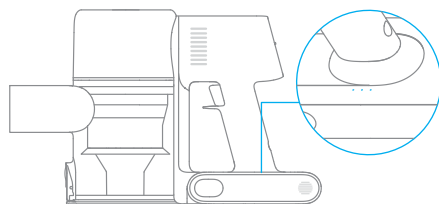
Cargar la aspiradora en el soporte de carga



## Indicador LED del estado de la batería

- ● ☀ Batería baja
- ☀ ○ Batería media
- ☀ ○ ○ Casi cargada
- ○ ○ Totalmente cargada

- Apagado
- ☀ Intermitente
- Encendido



Nota: Una vez que el aspirador esté completamente cargado, el indicador se apagará 5 minutos más tarde y el aspirador entrará en el modo de ahorro de energía.

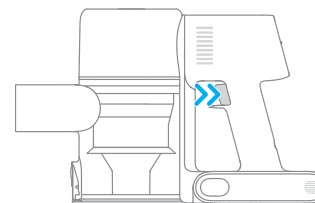
# Modo de Uso

## Modo de limpieza

El aspirador incluye dos modos de trabajo que se pueden seleccionar según sus necesidades de limpieza.

### Modo 1: Modo de limpieza discontinua

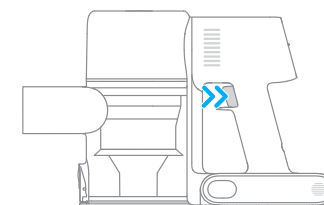
Mantenga pulsado el interruptor de la aspiradora para comenzar a funcionar y suéltelo para que se detenga.



### Modo 2: Modo de limpieza continua (bloqueo electrónico)

Cuando la aspiradora está trabajando, apriete el botón  para cambiar al modo de limpieza continua. Luego puede soltar el interruptor principal, y la aspiradora seguirá trabajando.

Use la función de bloqueo electrónico para liberar sus dedos y evitar el cansancio causado por mantener pulsado el interruptor.



Nota:

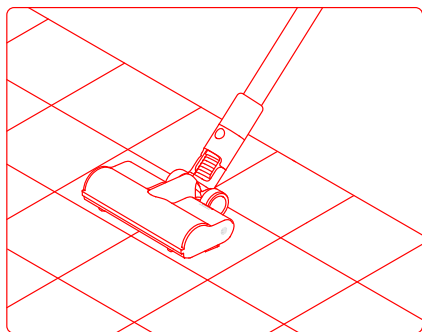
- En este modo, la luz del indicador de bloqueo se mantiene encendida.
- Vuelva a pulsar el bloqueo electrónico para salir del modo de limpieza continua.

# Modo de uso

## Uso de los diferentes accesorios

### Cepillo todo-terreno

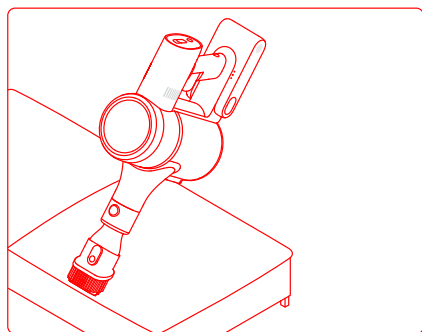
Apta para limpiar alfombras de pelo mediano/corto, azulejos y pisos en general.



Nota: El cepillo todo-terreno se puede conectar directamente a la aspiradora.

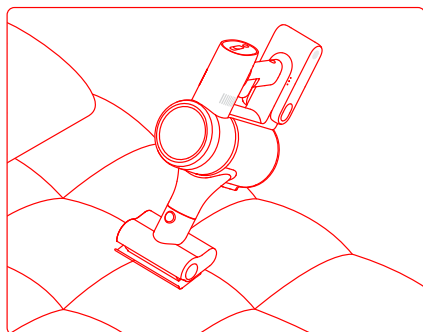
### Boquilla combinada (2 en 1)

Para aspirar cortinas, sofás, teclados, techos, interiores de vehículos, mesas de café, etc.



### Minicepillo eléctrico

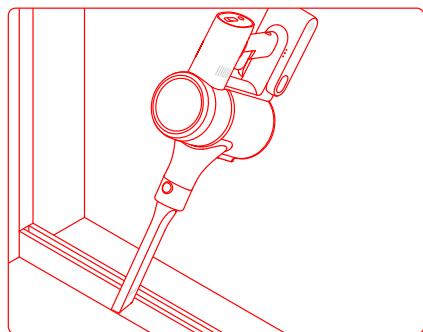
Para aspirar la suciedad, los pelos de mascota y otros restos resistentes de los sofás, la ropa de cama y otras superficies de tela.



Nota: No se recomienda pasar la aspiradora por superficies que puedan engancharse, como la seda.

### Boquilla para ranuras

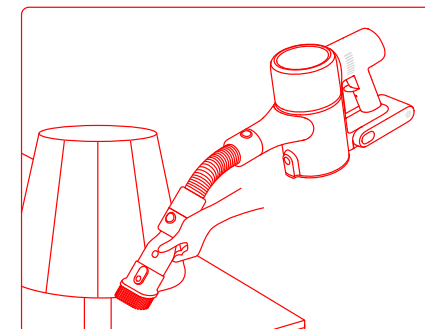
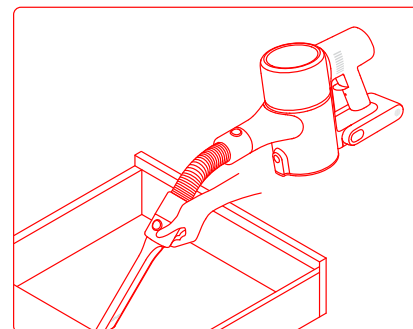
Adecuada para aspirar grietas, esquinas de puertas y ventanas, escaleras y otros lugares de difícil acceso.



# Modo de uso

## Manguera

Apta para limpiar rincones de difícil acceso como cajones, interiores de vehículos, fondos de sofás, etc.



## Nota:

- Si alguna pieza giratoria se queda atascada, la aspiradora podría apagarse de forma automática. Extraiga los objetos extraños que se hayan quedado atascados y reanude el uso.
- Si el pack de batería funciona a temperaturas demasiado elevadas, la aspiradora se apagará automáticamente. Espere a que la temperatura de la batería vuelva a ser normal y, a continuación, reanude el uso.

# Cuidado y mantenimiento

## Advertencia

- Utilice siempre piezas originales para evitar que se anule la garantía.
- Si el filtro o la boquilla se obstruye, el aspirador dejará de funcionar poco después de encenderse. Para restaurar la funcionalidad, limpie el filtro o la boquilla.
- Si no va a utilizar la aspiradora durante un largo periodo de tiempo, cárguela completamente, desenchúfela de la corriente y guárdela en un lugar fresco, seco y protegida de la luz solar. Para evitar que la batería se descargue en exceso, recargue la aspiradora al menos una vez cada tres meses.

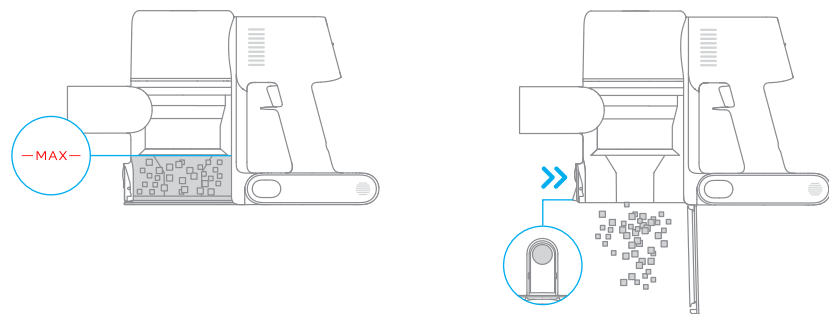
## Limpieza de la aspiradora

Limpie la aspiradora con un trapo seco y suave.

## Limpieza del compartimento para el polvo, el prefiltro y el separador ciclónico

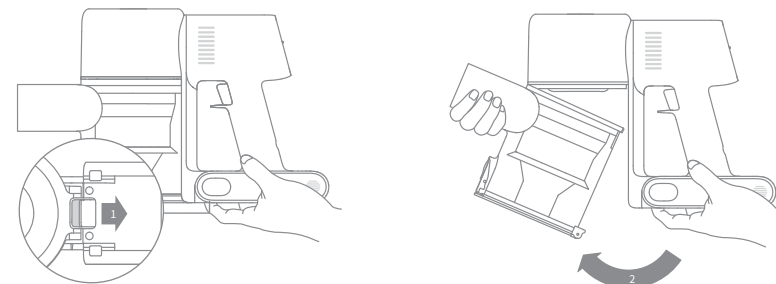
La capacidad de limpieza de la aspiradora se verá reducida en caso de que el compartimento para el polvo esté lleno y alcance la marca de "MAX". Para que recupere su rendimiento, vacíe el compartimento para el polvo de manera oportuna. Antes de vaciar el compartimento, asegúrese de que la aspiradora está desconectada de la corriente y no pulse el interruptor de encendido.

1. Pulse el interruptor para extraer la tapa inferior del compartimento de polvo y vacíe el contenido.

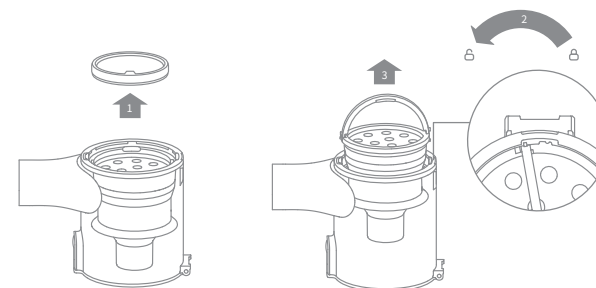


# Cuidado y mantenimiento

2. Mueva el interruptor de liberación del compartimento para el polvo en la dirección indicada por la flecha y retire suavemente el compartimento de polvo de la aspiradora.

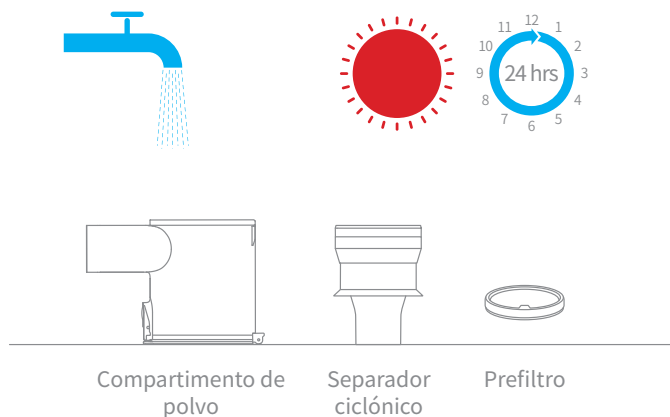


3. Quite primero el prefiltro, luego levante el mango del ciclón y gire en sentido contrario a las agujas del reloj hasta que se detenga, por último, tire para sacar el separador ciclónico.



## Cuidado y mantenimiento

4. Enjuague con agua el prefiltro, el ciclón y el compartimento de polvo hasta que estén limpios. Luego, ponga a un lado los componentes hasta que se sequen completamente, durante al menos 24 horas.



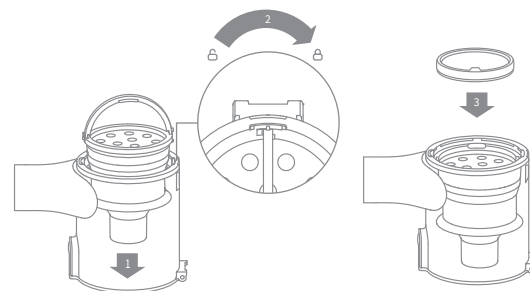
Nota:

- Debe enjuagar el compartimento de polvo al menos una vez al mes.
- Se recomienda limpiar el prefiltro, como mínimo, una vez cada 3 meses y el sistema ciclónico una vez cada 6 meses.

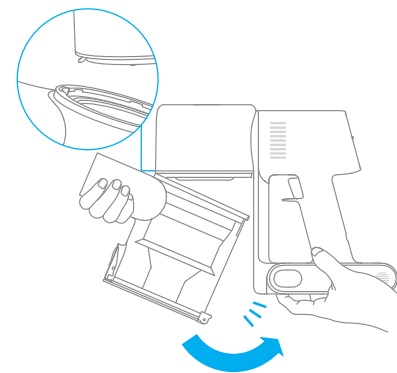
## Cuidado y mantenimiento

### Instalación del compartimento para el polvo, el prefiltro y el ciclón

1. Inserte verticalmente el ciclón en el compartimento de polvo y asegúrese de que el mango está alineado con la ranura del lado izquierdo del compartimento de polvo. Gire el mango en el sentido de las agujas del reloj hasta que esté fijo. Luego baje el mango.
2. Coloque el prefiltro dentro del separador ciclónico, con la parte frontal mirando hacia arriba.



3. Incline ligeramente el compartimento de polvo para que sus ranuras queden alineadas con la pestaña de la aspiradora. Luego presione suavemente sobre el compartimento de polvo hasta que encaje en su sitio.

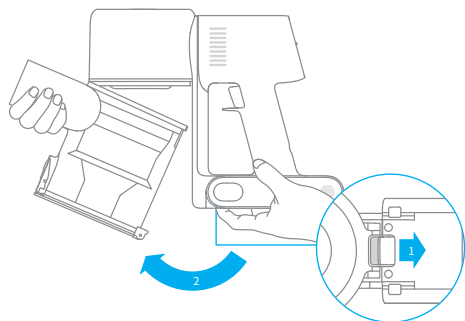


# Cuidado y mantenimiento

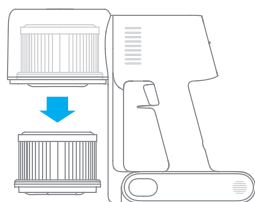
## Limpieza del filtro

Se recomienda limpiar el filtro una vez cada 4 o 6 meses.

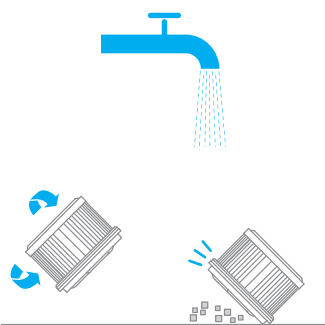
1. Extraiga el compartimento del polvo como se indica en la imagen.



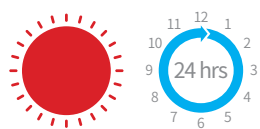
2. Extraiga el filtro de la aspiradora tirando hacia abajo, en la dirección que se muestra en la imagen.



3. Limpie el filtro con agua limpia. Asegúrese de girar el filtro 360° para quitar toda la suciedad del filtro. Golpee suavemente el filtro varias veces para extraer cualquier exceso de suciedad.



4. Deje secar el filtro durante, al menos, 24 horas.



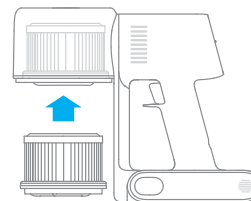
Nota:

- Utilice únicamente agua limpia para limpiar el filtro. No utilice detergentes.
- No intente limpiar el filtro con un cepillo ni con los dedos.

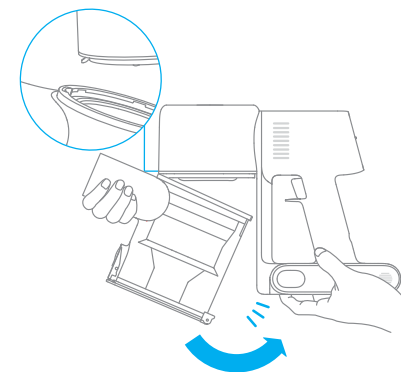
# Cuidado y mantenimiento

## Instalación del filtro

1. Inserte el filtro en la aspiradora y presione suavemente hacia abajo, como se indica en la imagen.



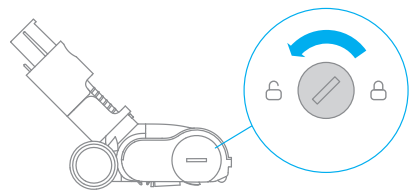
2. Vuelva a instalar el compartimento de polvo.



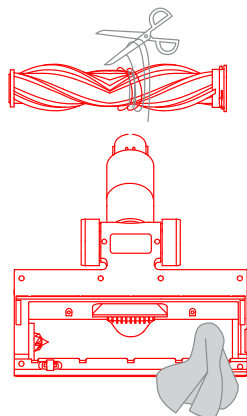
# Cuidado y mantenimiento

## Limpiar el cepillo todo-terreno

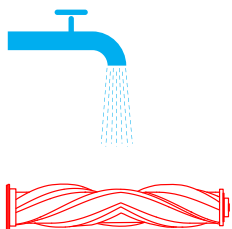
1. Como se muestra en el gráfico, gire el bloqueo en sentido antihorario hasta que se detenga, luego retire el cepillo de rodillo de la barra de cepillos.



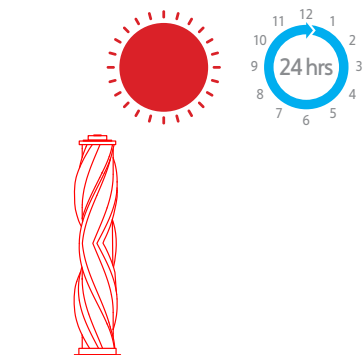
2. Utilice unas tijeras para cortar y recoger los pelos, o cualquier otro desecho, que se haya quedado enredado en el rodillo. Limpie el exceso de polvo de la ranura y de la cubierta de plástico transparente con un paño seco o con papel absorbente.



3. Cuando esté sucio, enjuague el cabezal del cepillo con agua limpia hasta que esté limpio.



4. Tras la limpieza, deje que el rodillo se seque completamente, poniéndolo en posición vertical en un área bien ventilada durante al menos 24 horas.



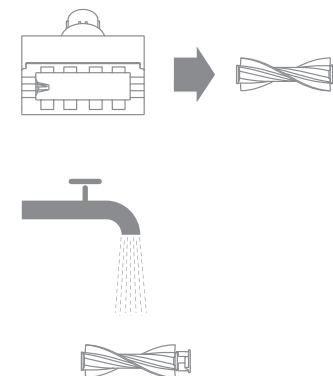
# Cuidado y mantenimiento

## Limpeza del minicepillo eléctrico

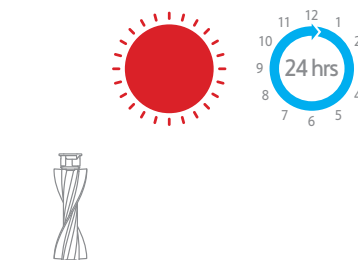
1. Utilice una moneda para girar el cierre en sentido contrario a las agujas del reloj, hasta que oiga un clic.



2. Tras desbloquear el rodillo, retírelo del minicepillo eléctrico y enjuague y limpie el rodillo.



3. Tras la limpieza, deje que el rodillo se seque completamente, poniéndolo en posición vertical en un área bien ventilada durante al menos 24 horas.



4. Cuando el rodillo esté seco, vuelva a colocarlo siguiendo los pasos del desmontaje a la inversa.

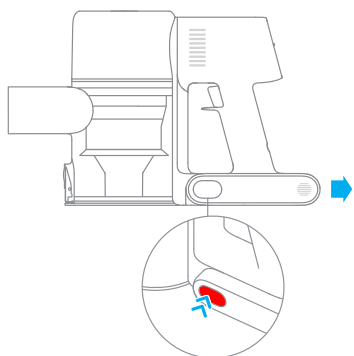


# Cuidado y mantenimiento

## Pack de batería

La aspiradora contiene un pack de batería de ion de litio recargable y extraíble que cuenta con un número limitado de ciclos de recarga. Tras un uso prolongado, el pack de batería dejará de poder realizar una carga. Si esto ocurre, significará que el pack de batería ha alcanzado el fin de su vida útil y deberá sustituirlo.

1. Pulse el botón de liberación del pack de batería y deslícelo hacia la derecha para sacarlo, como se muestra en la imagen.
2. Instale el nuevo pack de batería.



# Especificaciones

Aspiradora			
Modelo	VTN1	Tensión de carga	30 V ===
Potencia nominal	400 W	Tensión nominal	25,2 V ===
Tiempo de carga	Aproximadamente 3,5 horas		
Minicepillo eléctrico			
Modelo	DM002		
Potencia nominal	20 W	Tensión nominal	25,2 V ===
Cepillo todo-terreno			
Modelo	AVB9		
Potencia nominal	40 W	Tensión nominal	25,2 V ===
Cargador			
Modelo	YLS0251B-E300080	Eficiencia activa media	88,53%
Entrada nominal	100-240V~50/60Hz 0,8A max	Eficiencia en carga baja (10%)	78,66%
Salida nominal	30 V === 800 mA	Consumo de energía sin carga	0,09 W
Cargador			
Modelo	YLS0241A-A300080	Eficiencia activa media	86,98%
Entrada nominal	100-240 V~50/60 Hz 0,8 A max	Eficiencia en carga baja (10%)	80,67%
Salida nominal	30 V === 800 mA	Consumo de energía sin carga	0,08 W
Paquete de batería de ion de litio recargable			
Modelo	P2010-7S1P-BW P2010-7S1P-BWB	Tensión nominal	25,2 V ===
Capacidad nominal	2400 mAh	Energía	60,48 Wh
Paquete de batería de ion de litio recargable			
Modelo	P2010-7S1P-BWA	Tensión nominal	25,2 V ===
Capacidad nominal	2350 mAh	Energía	59,22 Wh

## Preguntas frecuentes

Si el aspirador no funciona correctamente, consulte la siguiente tabla de posibles soluciones.

Averías comunes	Posible causa	Solución
La aspiradora no funciona.	No tiene batería o le queda poca.	Cargue completamente la aspiradora y reanude el uso.
	Activa el modo de protección contra sobrecalentamiento debido a una obstrucción.	Espere hasta que el aspirador se enfríe, luego reactivélo.
	La abertura de succión o el conducto de aire está bloqueado.	Limpie cualquier obstrucción de la abertura de succión o del conducto de aire.
La potencia de succión disminuye.	El compartimento de polvo está lleno y/o el filtro está obstruido.	Vacíe el depósito del polvo y limpie el conjunto del filtro.
	El accesorio ensamblado está bloqueada.	Despeje cualquier bloqueo en el accesorio ensamblado.
El motor hace un ruido raro.	La abertura de succión principal o la varilla extensible está bloqueada.	Limpie cualquier obstrucción en la abertura de succión principal o en la Varilla extensible.
El primer indicador aparece rojo después de encender la aspiradora.	El pack de batería está dañado.	Póngase en contacto con el servicio posventa para concertar una cita de mantenimiento.
El primer indicador parpadea en rojo al cargar la aspiradora.	El cargador no es compatible.	Utilice únicamente el cargador original para cargar la aspiradora.

## Preguntas frecuentes

Averías comunes	Posible causa	Solución
El indicador de batería no se enciende durante la carga.	El cargador no está conectado a la aspiradora.	Asegúrese de que el cargador esté bien conectado.
	La batería está totalmente cargada y cambió al modo de suspensión.	Puede utilizar la aspiradora como de costumbre.
	Si el problema persiste después de descartar las dos posibilidades anteriores.	Póngase en contacto con el servicio posventa para obtener ayuda.
La batería se carga lentamente.	La temperatura de la batería es demasiado alta o baja.	Espere a que la temperatura de la batería se normalice y reanude el uso.

El pack de batería de ion de litio contiene sustancias perjudiciales para el medio ambiente. Antes de desechar la aspiradora, quite el pack de batería y deséchelo o recíclelo siguiendo las leyes y reglamentos locales del país o región en el que se use.

### Información sobre RAEE



Todos los productos que llevan este símbolo son residuos de aparatos eléctricos y electrónicos (RAEE según la directiva 2012/19/UE) que no deben mezclarse con residuos domésticos sin clasificar. En su lugar, debe proteger la salud humana y el medio ambiente entregando sus equipos de desecho a un punto de recogida para el reciclaje de residuos de equipos eléctricos y electrónicos, designado por el gobierno o las autoridades locales. La eliminación y el reciclado correctos ayudarán a evitar posibles consecuencias negativas para el medio ambiente y la salud humana. Póngase en contacto con el instalador o con las autoridades locales para obtener más información sobre la ubicación y las condiciones de dichos puntos de recogida.



# Инструкции по технике безопасности

Во избежание травм из-за случайного поражения электрическим током или воспламенения в результате неправильной эксплуатации изделия перед началом использования внимательно прочитайте руководство по эксплуатации.

## Предупреждение

- Данное изделие не должно использоваться людьми с ограниченными физическими или интеллектуальными возможностями и нарушениями в работе органов чувств, а также лицами, не имеющими соответствующего опыта и знаний (включая детей), за исключением случаев, когда изделие используется под наблюдением или руководством ответственного лица для гарантии безопасности.
- Детям строго запрещено использовать данное изделие по назначению или в качестве игрушки. Будьте крайне осторожны во время использования изделия вблизи детей. Детям строго запрещено чистить или ремонтировать изделие без присутствия взрослых.
- Строго запрещено использовать изделие на открытом воздухе или влажной поверхности. Используйте изделие только на сухой поверхности внутри помещения, не прикасайтесь к штепсельной вилке или любой другой части изделия мокрыми руками.
- Во избежание воспламенений, взрывов или травм проверьте литиевый аккумулятор и зарядное устройство перед началом использования на наличие повреждений. Запрещено использовать пылесос, если литиевая батарея или зарядное устройство повреждены.
- Щетка для ковров, электрическая щетка для удаления насекомых, аккумулятор, удлинитель и основной блок пылесоса являются токопроводящими элементами. Не погружайте эти элементы в воду или другие жидкости во время очистки. После ежедневной очистки убедитесь, что все фильтрующие устройства полностью просушены.
- Во время очистки щетка для ковров выключите основной блок пылесоса, чтобы вращающаяся роликовая щетка не нанесла травму пользователю. Строго запрещено использовать изделие без установки щетка для ковров, контейнера для пыли и фильтра.
- Используйте только оригинальное зарядное устройство, не используйте неофициальный адаптер, так как это может привести к возгоранию литиевого аккумулятора.
- Не используйте изделие для удаления воды, легковоспламеняющихся или взрывоопасных жидкостей, таких как бензин и т.д. Не используйте изделие для удаления токсичных растворов, таких как хлорный отбеливатель, аммиак, чистящие средства для канализации, или других жидкостей.
- Запрещено использовать пылесос для очистки извести, цемента, гипсового порошка, каминной золы и пепла, а также для дыма или зажигательных средств, таких как угли, окурки или спички.
- Перед началом эксплуатации проверьте зону для уборки. В случае обнаружения крупных листов бумаги, бумажных шариков, пластиковых

- или острых предметов (например, стекло, гвозди, винты, монеты и т.д.), а также элементов крупнее диаметра трубочки для напитков удалите их, чтобы избежать засорения всасывающей трубы и нарушения нормальной работы изделия.
- Держите воздушное отверстие и движущиеся части изделия подальше от волос, просторной одежды, пальцев и других частей тела. Не направляйте удлинитель и детали в сторону глаз, ушей или рта.
- Запрещено ставить какие-либо предметы на всасывающее отверстие. Не используйте пылесос, если всасывающее отверстие засорилось. Наличие больших кусков пыли, ваты, волос и других предметов может привести к ослаблению воздушного потока. Своевременно проводите очистку.
- Не прислоняйте пылесос к неустойчивым предметам, таким как стул или обеденный стол, чтобы не повредить пылесос и не травмировать пользователя в результате падения пылесоса. При повреждении или неисправности пылесоса в результате падения, обратитесь к официальному сервисному представителю. Не разбирайте изделие самостоятельно.
- Заряжайте батарею в строгом соответствии с инструкциями. В случае неправильной зарядки и превышении указанного диапазона температуры, батарея может быть повреждена.
- Извлеките штепсельную вилку перед техническим обслуживанием или ремонтом, а также в случае продолжительного хранения изделия.
- Будьте предельно внимательны во время использовании изделия для уборки лестницы.
- Не проводите сборку, не заряжайте и не используйте данное изделие на улице, в ванной комнате или вблизи бассейна.
- Предупреждение об опасности возгорания: не наносите какие-либо ароматизаторы на фильтр данного изделия - химические вещества, содержащиеся в таких изделиях являются легковоспламеняющимися и могут привести к возгоранию.
- Данное изделие подходит исключительно для домашнего использования.
- Используйте только оригинальное зарядное устройство (модель YLS0251B-E300080 (EU) / YLS0241A-A300080 (AU)). Несоблюдение этого правила может привести к возгоранию литиевого аккумулятора.
- Используйте только аккумуляторы модели P2010-7S1P-BW/P2010-7S1P-BWA/P2010-7S1P-BWB. Несоблюдение этого правила может привести к возгоранию литиевого аккумулятора.
- В случае выброса материала аккумуляторов эвакуируйте персонал из опасной зоны до остывания аккумуляторов и рассеивания паров.
- Обеспечьте максимальную вентиляцию для удаления опасных газов и не допускайте контакта паров с кожей и глазами или их вдыхания.
- Удалите пролитую жидкость с помощью абсорбента и уничтожьте отходы посредством сжигания.
- Запрещается использовать и хранить изделие в экстремальных температурных условиях (ниже 0°C или выше 40°C). Используйте оригинальный адаптер питания и проводите подзарядку при температуре от 0°C до 40°C.

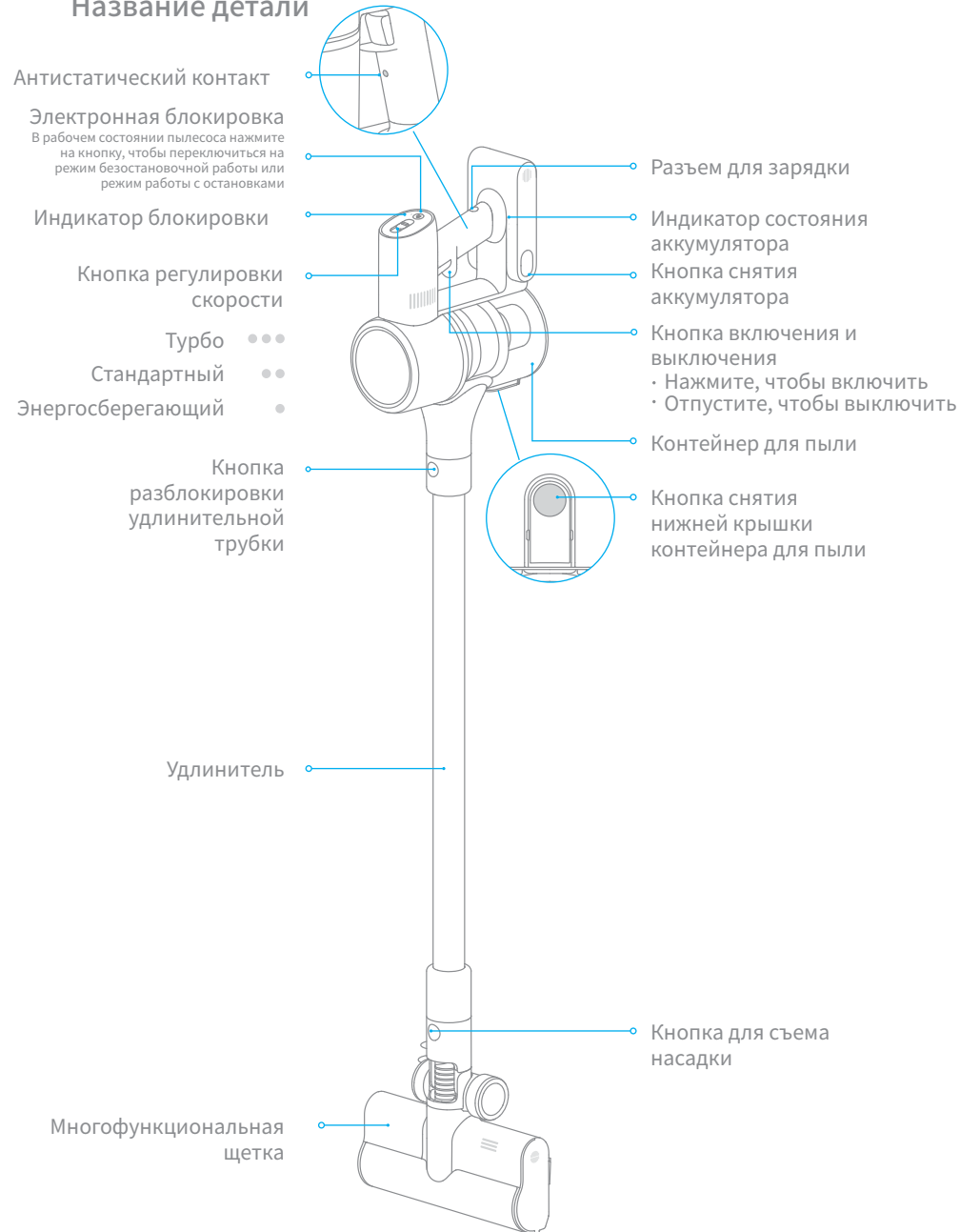
- Данное устройство предназначено только для домашнего использования.
- Меры предосторожности при хранении и транспортировке:
  - Не транспортируйте робот-пылесос при температуре выше 50°C или ниже -20°C.
  - В течение короткого периода, например одного месяца, пылесос рекомендуется хранить при температуре от -20 до 50°C и относительной влажности 60% ± 5%. В течение длительного времени храните пылесос при температуре окружающей среды от 0°C до 25°C.
  - Утилизируйте пылесос надлежащим образом. Когда его срок службы подойдет к концу, утилизируйте пылесос в соответствии с местными законами и правилами страны или региона, в котором он используется. Дату производства см. на этикетке со штрих-кодом.

Заявление: Мы, компания Dreame Trading (Tianjin) Co., Ltd., настоящим заявляем, что данное изделие соответствует требованиям всех действующих директив ЕС и европейских стандартов со всеми изменениями и дополнениями. Полный текст декларации о соответствии нормативным требованиям ЕС доступен по адресу: [www.dreame-technology.com](http://www.dreame-technology.com)

Подробное электронное руководство см. по адресу <https://www.dreame-technology.com/pages/user-manuals-and-faqs>

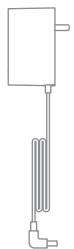
## Описание изделия

### Название детали



# Описание изделия

## Список аксессуаров



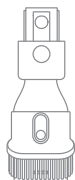
Зарядное устройство



Удлинительная трубка



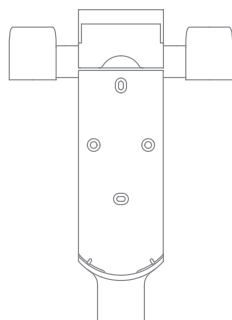
Насадка для щелей



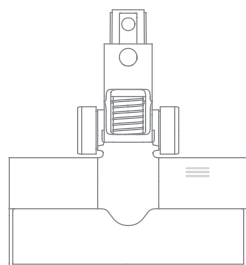
Щетка "2 в 1"



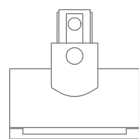
Удлинитель



Подставка для зарядки и хранения "2 в 1"  
(в комплекте: 2 винта, 2 дюбеля и стикер места фиксации)



Многофункциональная щетка



Электрическая мини-щетка

Примечание. Все иллюстрации в данном руководстве приведены исключительно для справки. По внешним параметрам ориентируйтесь на фактический вид изделия.

# Инструкция по установке и сборке

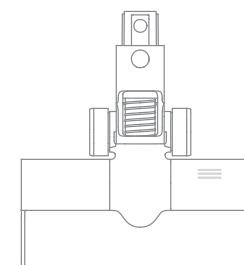
## Сборка основного корпуса



Вставьте до щелчка

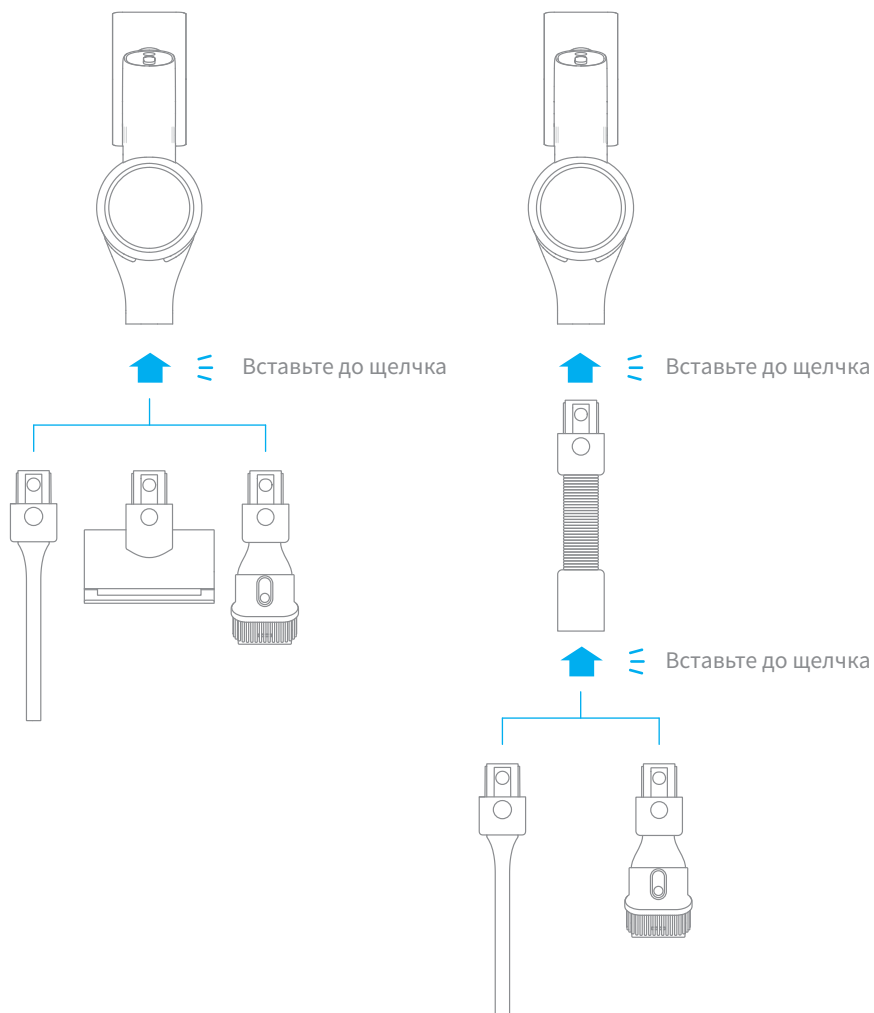


Вставьте до щелчка



# Инструкция по установке и сборке

## Установка аксессуаров

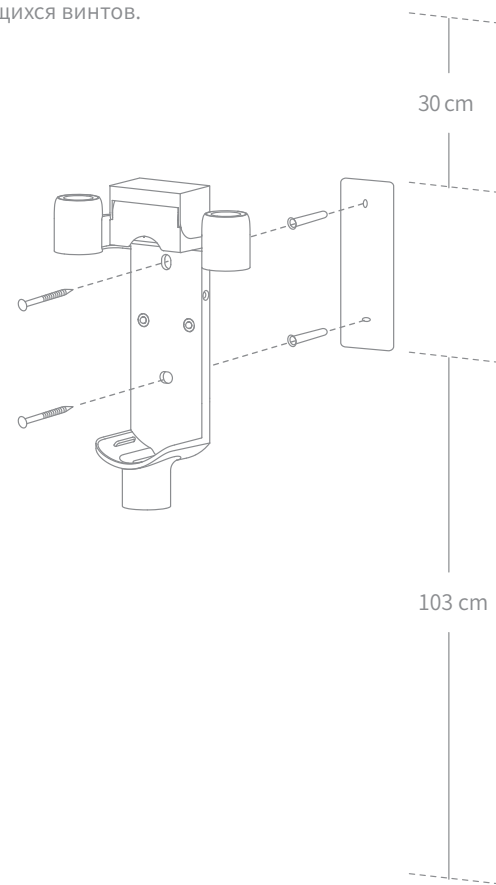


# Инструкция по установке и сборке

## Установка подставки для зарядки и хранения "2 в 1"

Подставка для зарядки и хранения "2 в 1" — это дополнительный аксессуар, который может быть установлен по необходимости.

1. Подставку для зарядки и хранения "2 в 1" следует устанавливать в прохладном и сухом месте рядом с электрической розеткой. Перед установкой убедитесь, что непосредственно рядом с местом установки подставки отсутствуют провода и трубы.
2. Наклейте стикер места фиксации на стене параллельно полу на расстоянии не менее 103 см (от нижнего края стикера до пола) и оставьте минимум 30 см\* свободного пространства над верхним краем стикера. (\*30 см: дополнительное место для покупки сменной батареи в будущем.)
3. При помощи перфоратора со сверлом 8 мм просверлите отверстия согласно отметка на стикере и вставьте дюбель в каждое отверстие.
4. Соедините монтажные отверстия на подставке для зарядки и хранения "2 в 1" с отверстиями в стене, а затем прикрутите подставку к стене с помощью прилагающихся винтов.



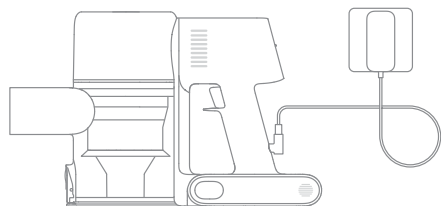
# Зарядка

Перед первым использованием зарядите пылесос до полной зарядки.

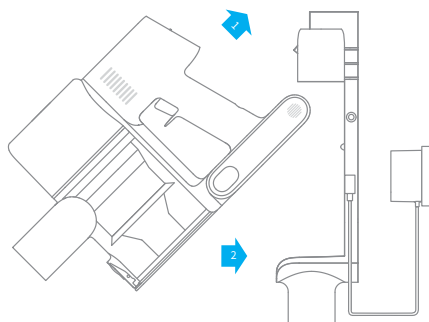
Примечание. Первая зарядка займет около 3,5 часов. После безостановочной уборки в режиме Турбо аккумулятор может сильно нагреться, поэтому пылесосу может потребоваться больше времени на подзарядку. Рекомендуется остудить робот в течение 30 минут и затем начать подзарядку.

## Режимы зарядки

Зарядка с помощью зарядного устройства



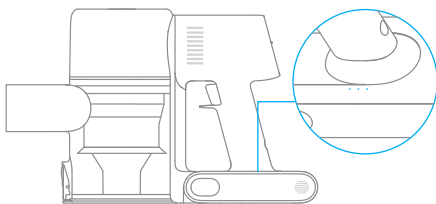
Зарядка с помощью подставки для зарядки



## Индикатор состояния аккумулятора

- ● ☀ Низкий уровень заряда
- ☀ ○ Средний уровень заряда
- ☀ ○ ○ Почти полный уровень заряда
- ○ ○ Полный уровень заряда

- Выкл.    ☀ Мигание    ○ Вкл.



Примечание.

Через 5 минут после окончания зарядки индикатор погаснет, а пылесос перейдет в энергосберегающий режим.

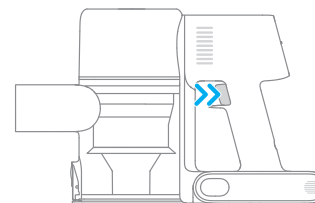
# Правила эксплуатации изделия

## Рабочие режимы


Доступны 2 режима работы робота-пылесоса, которые могут быть выбраны в зависимости от требований к уборке.

### Режим 1: "прерывистая уборка"

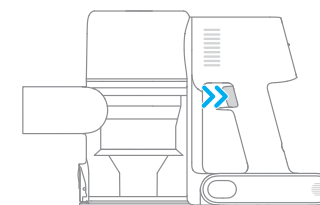
Нажмите и удерживайте переключатель пылесоса, чтобы начать работу, и отпустите его, чтобы немедленно остановить.



### Режим 2: "непрерывная уборка"

В рабочем состоянии пылесоса нажмите кнопку , чтобы включить режим безостановочной работы. Затем отпустите выключатель пылесоса, чтобы перейти в режим безостановочной работы.

С помощью функции электронной блокировки вы можете не удерживать кнопку переключения постоянно для защиты от усталости.



Примечание.

В этом режиме нажмите кнопку переключения, чтобы приостановить работу или повторно запустить пылесос без изменения режима работы.

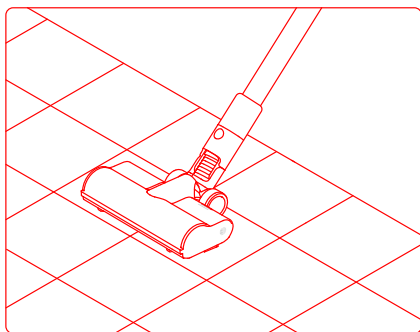
- Повторно нажмите на кнопку  электронной блокировки, чтобы выйти из режима непрерывной уборки.

# Правила эксплуатации изделия

## Сценарии использования аксессуаров

### Многофункциональная щетка

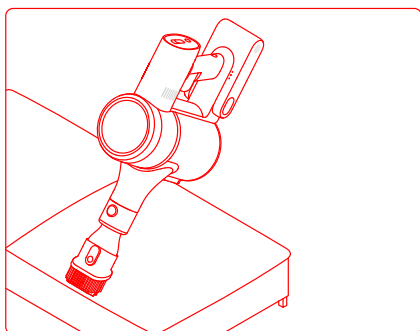
Подходит для уборки ковров с коротким и средним ворсом, а также для очистки кафельного и деревянного напольного покрытия.



Примечание. Многофункциональная щетка может устанавливаться прямо на пылесос.

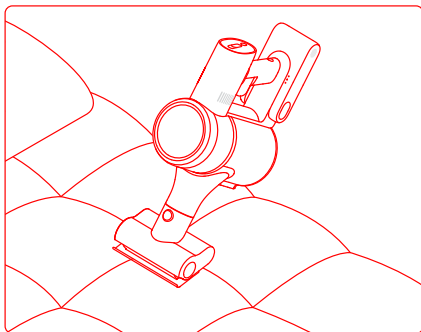
### Щетка "2 в 1"

используется для очистки штор, клавиатуры, потолочной плитки, салона автомобиля, кофейных столиков и т. д.



### Электрическая мини-щеточка

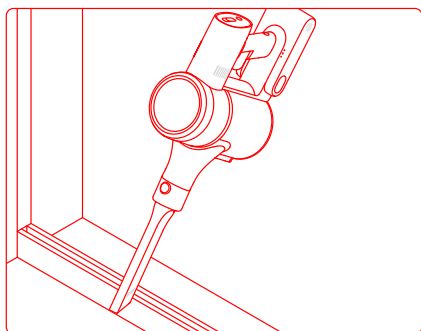
используется для уборки грязи, шерсти животных и других стойких загрязнений на диване, матрасе и других тканевых поверхностях.



Примечание. Не рекомендуется использовать пылесос для уборки поверхностей, на которых могут остаться зацепки и царапины (напр. Шелк).

### Насадка для щелей

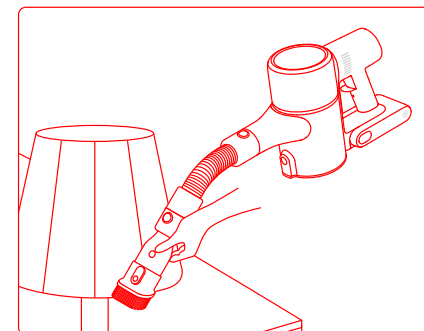
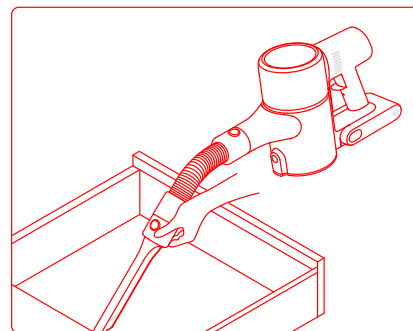
используется для уборки в углах дверей, окон, стен, лестницы и других узких поверхностей.



# Правила эксплуатации изделия

## Удлинительная трубка

используется для уборки в углах дверей, окон, стен, лестницы и других узких поверхностей.



## Примечание.

- В случае заклинивания какой-либо вращающейся детали пылесос может автоматически отключиться. Уберите застрявшие посторонние предметы и продолжите уборку.
- В случае перегрева аккумулятора пылесос автоматически отключится. Подождите, пока температура аккумулятора нормализуется, а затем продолжите уборку.

## Меры предосторожности

- Используйте оригинальные запчасти, в противном случае гарантийное обслуживание будет недоступно.
- В случае засорения фильтра, насадки или "умной" многофункциональной щетки робот-пылесос может выключиться сразу после запуска. Очистите засоренные детали перед повторным запуском.
- Если вы не планируете использовать пылесос в течение длительного периода времени, полностью зарядите его, отключите от розетки и положите на хранение в прохладном месте с низкой влажностью вдали от прямых солнечных лучей. Во избежание избыточной разрядки аккумулятора заряжайте пылесос как минимум раз в три месяца.

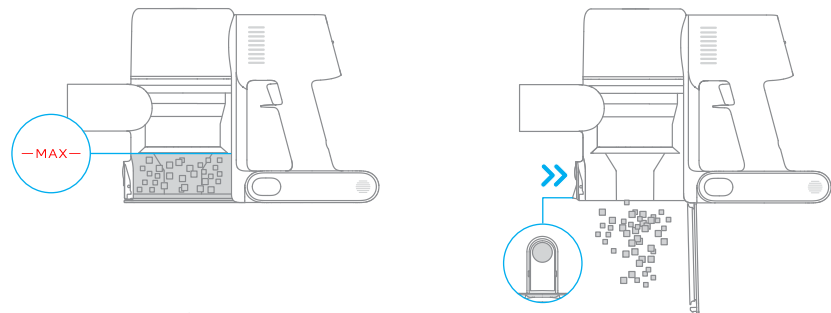
## Очистка пылесоса

Протрите пылесос мягкой сухой тряпкой.

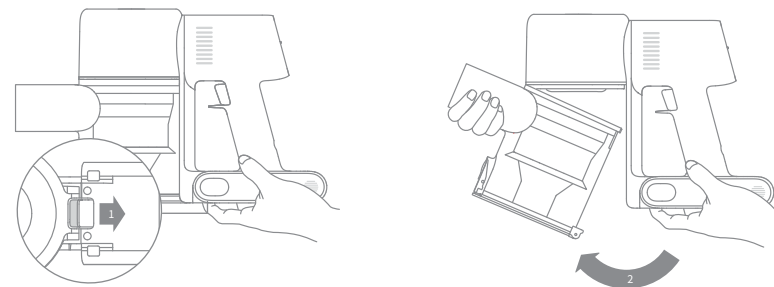
## Очистка контейнера для пыли, фильтра предварительной очистки и циклонного блока

Если контейнер для пыли заполнен до отметки "MAX", эффективность работы пылесоса может значительно снизиться. Для оптимальной работы своевременно очищайте контейнер для пыли. Перед очисткой контейнера убедитесь, что пылесос отключен от розетки, и не нажимайте кнопку "Пуск".

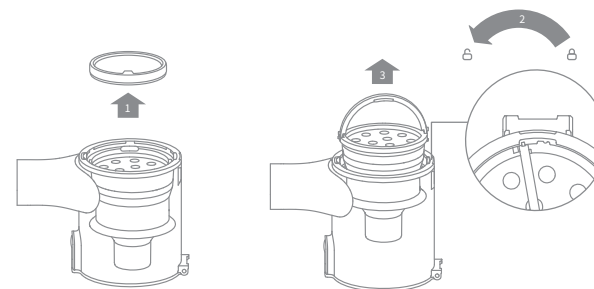
1. Нажмите кнопку снятия нижней крышки контейнера для пыли в направлении, обозначенном стрелкой, а затем откройте крышку и извлеките содержимое контейнера.



2. Нажмите кнопку извлечения контейнера для пыли в направлении, обозначенном стрелкой, как показано на Рис.1, а затем извлеките контейнер для пыли из пылесоса, как на Рис.2.

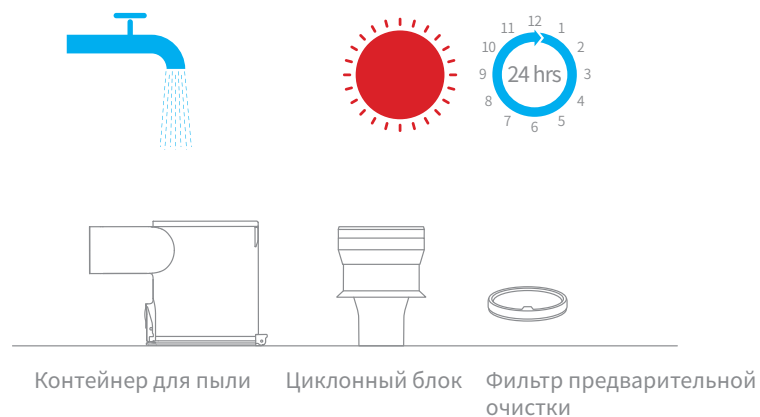


3. Сначала снимите фильтр предварительной очистки, поверните ручку циклонного блока против часовой стрелки до упора, а затем извлеките циклонный блок.



## Уход и ремонт

4. Тщательно промойте фильтр предварительной очистки, циклонный блок и контейнер для пыли водой, а затем отложите минимум на 24 часа для полной просушки.



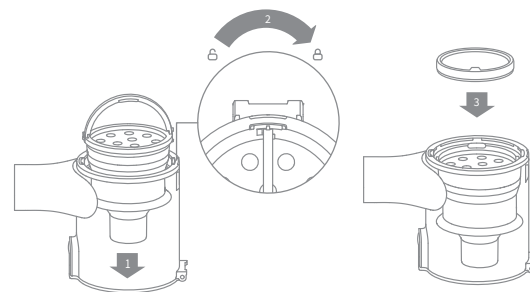
Примечание.

- Контeйнер для пыли следует промывать как минимум раз в месяц.
- Рекомендуется очищать фильтр предварительной уборки не реже одного раза в 3 месяца, а циклонный блок — не реже одного раза в 6 месяцев.

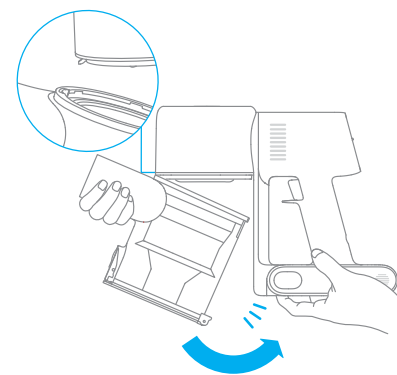
## Уход и ремонт

### Установка контейнера для пыли, фильтра предварительной очистки и циклонного блока

1. Вставьте циклонный блок вертикально в контейнер для пыли так, чтобы ручка циклонного блока соединилась с отверстием на левой стенке контейнера для пыли. Поверните ручку по часовой стрелке до упора, а затем опустите ее.
2. Вставьте фильтр предварительной очистки в циклонный блок передней стороной вверх.



3. Слегка наклоните контейнер для пыли, чтобы его отверстие соединилось с фиксатором на пылесосе. Затем осторожно нажмите на контейнер в направлении, обозначенном стрелкой, до щелчка, чтобы завершить установку.



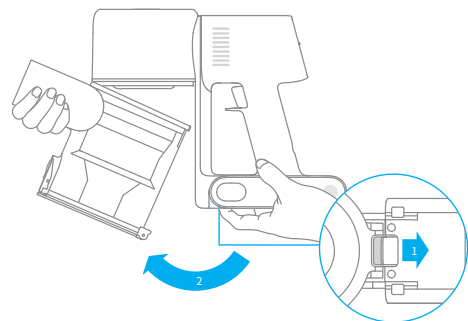


# Уход и ремонт

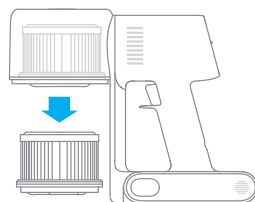
## Очистка фильтра

Рекомендуется очищать фильтр каждые 4–6 месяцев.

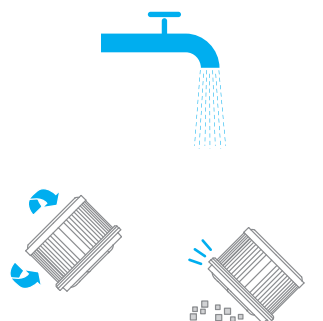
1. Извлеките контейнер для пыли так, как показано на рисунке.



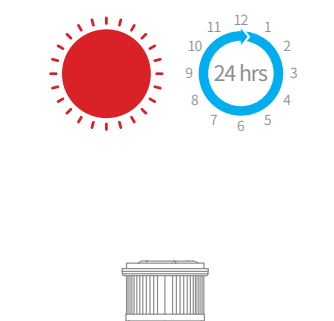
2. Достаньте фильтр из пылесоса движением вниз, как показано на рисунке.



3. Промойте фильтр чистой водой, поворачивая фильтр на 360°, чтобы полностью удалить накопившуюся в нем пыль. Несколько раз слегка постучите по фильтру, чтобы убрать избыток грязи.



4. Просушите фильтр в течение как минимум 24 часов.



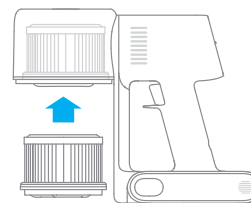
Примечание:

- Промывайте фильтр только чистой водой. Не используйте чистящие средства.
- Не очищайте фильтр щеткой или пальцами.

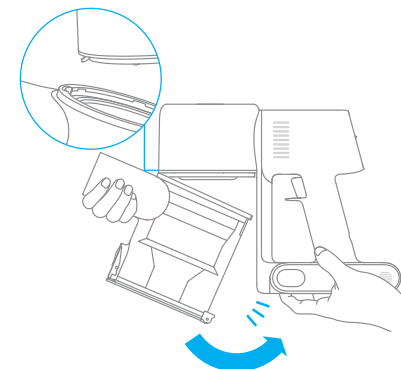
# Уход и ремонт

## Установка фильтра

1. Вставьте фильтр в пылесос и слегка нажмите на него, как показано на рисунке.



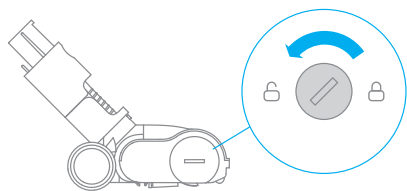
2. Установите контейнер для пыли на место.



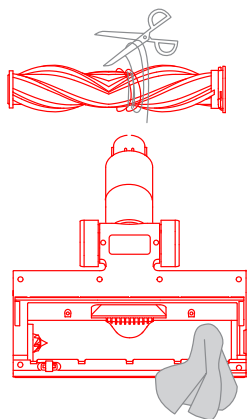
## Уход и ремонт

### Очистка многофункциональной щетки

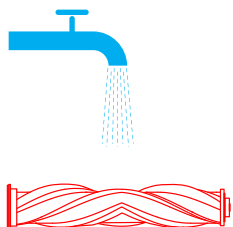
1. Поверните замок против часовой стрелки до упора, как показано на рисунке, а затем извлеките роликовую щетку из паза.



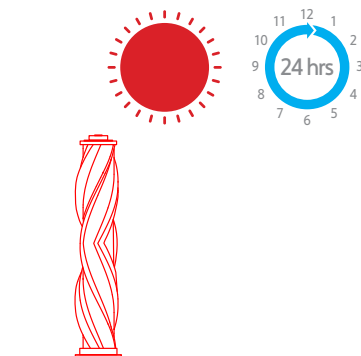
2. Вырежьте волосы и другие волосистые предметы, запутавшиеся в роликовой щетке, с помощью ножниц и выбросьте. Удалите пыль с отверстия и прозрачной крышки с помощью сухой тряпки или бумажного полотенца, а затем просушите и установите на место.



3. При наличии загрязнений промойте головку щетки чистой водой до полной очистки.



4. После промывки тщательно высушите роликовую щетку в вертикальном положении в хорошо проветриваемом месте как минимум в течение 24 часов.



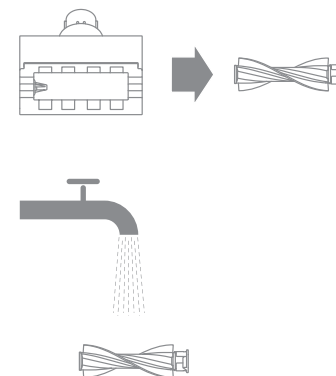
## Уход и ремонт

### Очистка электрической мини-щетки

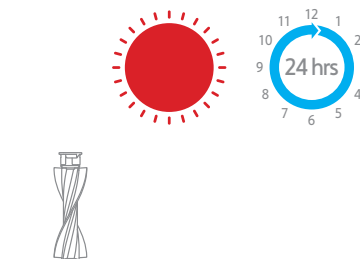
1. С помощью монетки поверните замок против часовой стрелки до щелчка.



2. После разблокировки снимите роликовую насадку с щетки, а затем промойте и прочистите.



3. После промывки тщательно высушите роликовую щетку в вертикальном положении в хорошо проветриваемом месте как минимум в течение 24 часов.



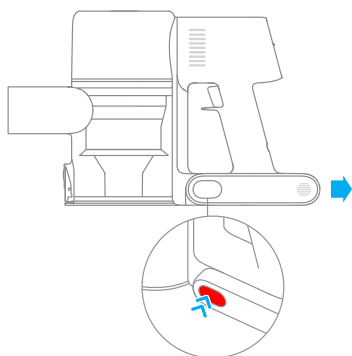
4. После просушки установите роликовую щетку на место, выполнив все этапы разборки в обратном порядке.



## Аккумулятор

Пылесос содержит съемный литий-ионный аккумулятор с ограниченным количеством циклов зарядки. После продолжительного использования аккумулятор может перестать держать заряд. Это означает, что срок службы аккумулятора подошел к концу и его требуется заменить.

1. Нажмите кнопку снятия аккумулятора и сдвиньте аккумулятор вправо, как показано на рисунке, чтобы снять его.
2. Вставьте новый аккумулятор.



Вакуумный пылесос			
Модель	VTN1	Напряжение при зарядке	30 В ===
Номинальная мощность	400 Вт	Номинальное напряжение	25,2 В ===
Время зарядки	Около 3,5 ч		
Электрическая мини-щетка			
Модель	DM002		
Номинальная мощность	20 Вт	Номинальное напряжение	25,2 В ===
Многофункциональная щетка			
Модель	AVB9		
Номинальная мощность	40 Вт	Номинальное напряжение	25,2 В ===
Адаптер			
Модель	YLS0251B-E300080	Средний КПД в активном состоянии	88,53%
Входное	100–240 В~ 50/60 Гц 0,8 А Макс	КПД при низкой нагрузке (10 %)	78,66%
Выходное	30 В === 800 мА	Потребляемая мощность без нагрузки	0,09 Вт
Адаптер			
Модель	YLS0241A-A300080	Средний КПД в активном состоянии	86,98%
Входное	100–240 В~ 50/60 Гц 0,8 А Макс	КПД при низкой нагрузке (10%)	80,67%
Выходное	30 В === 800 мА	Потребляемая мощность без нагрузки	0,08 Вт
Перезаряжаемый литий-ионный аккумулятор			
Модель	P2010-7S1P-BW P2010-7S1P-BWB	Номинальное напряжение	25,2 В ===
Расчетная мощность	2400 мА·ч	Энергия	60,48 Wh
Перезаряжаемый литий-ионный аккумулятор			
Модель	P2010-7S1P-BWA	Номинальное напряжение	25,2 В ===
Расчетная мощность	2350 мА·ч	Энергия	59,22 Wh

## Вопросы и ответы

Если пылесос перестал работать в нормальном режиме, см. таблицу устранения неисправностей ниже.

Неисправность	Возможная причина	Решение
Пылесос не работает.	Пылесос разрядился или недостаточный заряд аккумулятора.	Полностью зарядите пылесос, а затем продолжите использование.
	В результате засорения автоматически включился режим защиты от перегрева.	Подождите, пока пылесос остынет, а затем заново включите его.
	Отверстие для всасывания или воздушное отверстие засорилось.	Очистите отверстие для всасывания или воздушное отверстие от загрязнений.
Сила всасывания снизилась.	Заполнен контейнер для пыли и/или засорен фильтр.	Очистите контейнер для пыли и очистите блок фильтра.
	Аксессуар засорился.	Очистите аксессуар от загрязнений.
Посторонние шумы в двигателе.	Основное отверстие для всасывания или удлинитель засорились.	Очистите основное отверстие для всасывания или удлинитель от загрязнений.
После включения пылесоса первый индикатор горит красным.	Отсек аккумулятора поврежден.	Обратитесь в отдел послепродажного обслуживания для устранения неполадки.
Во время зарядки пылесоса первый индикатор мигает красным.	Используется несовместимое зарядное устройство.	Используйте только оригинальное зарядное устройство для зарядки пылесоса.

## Вопросы и ответы

Неисправность	Возможная причина	Решение
Во время зарядки пылесоса индикатор заряда не горит.	Зарядное устройство не подключено к пылесосу.	Убедитесь, что зарядное устройство подключено правильно.
	Аккумулятор полностью заряжен и перешел в спящий режим.	Пылесос готов к использованию.
	Если после устранения обоих указанных выше ситуаций проблема по-прежнему не устранена.	обратитесь в отдел послепродажного обслуживания компании для проведения ремонта.
Медленная зарядка аккумулятора	Слишком низкая или слишком высокая температура аккумулятора.	Подождите, пока температура аккумулятора нормализуется, а затем продолжите использование.

Литий-ионный аккумулятор содержит вещества, представляющие опасность для окружающей среды. Перед утилизацией пылесоса сначала выньте аккумулятор и утилизируйте или сдайте его на переработку в соответствии с местными законами и правилами страны или региона эксплуатации.

### Информация об утилизации и переработке отходов электрического и электронного оборудования (WEEE)



Все изделия с символом отдельного сбора отработанного электрического и электронного оборудования (Директива WEEE 2012/19/EU) следует утилизировать отдельно от несортируемых бытовых отходов. С целью охраны здоровья и защиты окружающей среды такое оборудование необходимо сдавать на переработку в специальные пункты приема электрического и электронного оборудования, определенные правительством или местными органами власти. Правильная утилизация и переработка помогут предотвратить возможные негативные последствия для окружающей среды и здоровья человека. Для получения информации о местонахождении и порядке приема устройств в пунктах приема обратитесь в компанию, занимающуюся установкой оборудования, или в местные органы власти.

# Instrukcja bezpieczeństwa

Aby zapobiec wypadkom, w tym porażeniu prądem elektrycznym lub pożarowi spowodowanemu niewłaściwym użytkowaniem, przed użyciem należy przeczytać niniejszą instrukcję oraz zachować w celu późniejszego wykorzystania.

## Ostrzeżenie

- Z tego produktu mogą korzystać dzieci w wieku od 8 lat oraz osoby z deficytami fizycznymi, sensorycznymi, intelektualnymi lub o ograniczonym doświadczeniu lub wiedzą wyłącznie pod nadzorem rodzica lub innej osoby dorosłej, aby zapewnić bezpieczne użytkowanie i uniknąć wszelkich zagrożeń. Pielęgnacja i konserwacja urządzenia nie mogą być wykonywane przez dzieci bez nadzoru osoby dorosłej.
- Odkurzacz nie jest zabawką. Dzieci nie powinny bawić się ani obsługiwać tego produktu. Należy zachować ostrożność podczas używania odkurzacza w pobliżu dzieci. Nie pozwalaj dzieciom na czyszczenie lub konserwację odkurzacza, chyba że pod nadzorem rodzica lub osoby dorosłej.
- Nie używaj odkurzacza na zewnątrz ani na mokrych powierzchniach. Produktu należy używać wyłącznie na suchych powierzchniach, wewnątrz pomieszczeń. Nie należy dotykać wtyczki ani żadnej części odkurzacza mokrymi rękami.
- Aby zmniejszyć ryzyko pożaru, wybuchu lub obrażeń, przed użyciem upewnij się, że akumulator litowy i zasilacz są nieuszkodzone. Nie używaj odkurzacza, jeśli akumulator lub ładowarka są uszkodzone.
- Urządzenie oraz niektóre części dołączone do zestawu przewodzą prąd, dlatego należy unikać ich kontaktu z wodą oraz innymi cieczami. Wyszuszyć dokładnie wszystkie filtry po ich wyczyszczeniu.
- Zapobiegaj urazom spowodowanym przez ruchome części. Przed czyszczeniem szczotki należy wyłączyć odkurzacz. Inteligentna szczotka, pojemnik na kurz oraz filtr muszą zostać prawidłowo zamontowane przed użyciem odkurzacza.
- Należy używać wyłącznie oryginalnego zasilacza. Nigdy nie używaj nieoryginalnych akcesoriów.
- Nie należy używać odkurzacza do usuwania łatwopalnych cieczy, takich jak benzyna, wybielacz, amoniak, środki czyszczące do kanalizacji lub inne płyny.
- Nie należy używać odkurzacza do usuwania pyłu, płyt kartonowo-gipsowych, popiołów kominkowych lub łatwopalnych materiałów, takich jak węgiel, niedopałki papierosów lub zapalki.
- Przed użyciem należy sprawdzić obszar, który ma zostać oczyszczony. Aby zapobiec zatankowaniu otworów, należy usunąć duże kawałki papieru, papierowe kulki, plastikowe elementy lub ostre przedmioty, takie jak szkło, gwoździe, śruby, monety itp. i wszelkie obiekty, który są większe niż otwory ssące.
- Należy trzymać włosy, luźne ubrania, palce i inne części ciała z dala od otworów ssących i ruchomych części. Nie należy kierować rury odkurzacza lub reszty akcesoriów w stronę oczu lub uszu ani nie wkładać ich do ust.
- Nie należy wkładać żadnych przedmiotów do otworów ssących. Nie należy używać odkurzacza, jeśli jego otwór ssący jest zablokowany.

- Nie należy opierać odkurzacza o krzesło, stół lub inną niestabilną powierzchnię, ponieważ może to spowodować uszkodzenie urządzenia lub obrażenia ciała. Jeśli odkurzacz zostanie uszkodzony lub w inny sposób działa nieprawidłowo, skontaktuj się z naszym autoryzowanym działem serwisowym.
- Wszystkie zalecenia zawarte w instrukcji ładowania akumulatora muszą być ściśle przestrzegane. Ładowanie akumulatora nieprzeznaczając określonego zakresu temperatur może spowodować jego uszkodzenie.
- Należy upewnić się, że odłączono odkurzacz, gdy nie jest on używany przez dłuższy czas, a także przed wykonaniem jakichkolwiek czynności konserwacyjnych lub napraw.
- Należy zachować szczególną ostrożność podczas czyszczenia schodów przy użyciu odkurzacza.
- Nie należy montować, ładować ani używać tego urządzenia na zewnątrz, w łazienkach lub wokół basenów.
- Ostrzeżenie o zagrożeniu pożarowym: Nie należy aplikować żadnych perfum do filtra odkurzacza. Tego rodzaju produkty zawierają łatwopalne substancje chemiczne, które mogą spowodować zapalenie się odkurzacza.
- Należy używać wyłącznie oryginalnej ładowarki (Model YLS0251B-E300080 (EU) / YLS0241A-A300080 (AU)). Niezastosowanie się do tego może spowodować zapalenie się akumulatora litowo-jonowego.
- Należy używać wyłącznie zatwierdzonego typu akumulatora (Model P2010-7S1P-BW/P2010-7S1P-BWA/P2010-7S1P-BWB). Niezastosowanie się do tego może spowodować zapalenie się akumulatora litowo-jonowego.
- Jeśli dojdzie do uwolnienia materiału z akumulatora, personel powinien opuścić ten obszar aż do czasu ostygnięcia akumulatora i rozproszenia się oparów.
- Zapewnić maksymalną wentylację w celu usunięcia niebezpiecznych gazów i unikać kontaktu ze skórą i oczami oraz wdychania oparów.
- Rozlaną ciecz usunąć za pomocą środka absorbującego, a odpady spalić.
- Nie należy używać i przechowywać urządzenia w bardzo gorących lub zimnych warunkach (poniżej 0°C /32°F lub powyżej 40°C /104°F). Bezprzewodowy odkurzacz należy ładować w temperaturze powyżej 0°C /32°F i poniżej 40°C /104°F.
- Ten produkt jest przeznaczony wyłącznie do użytku domowego.

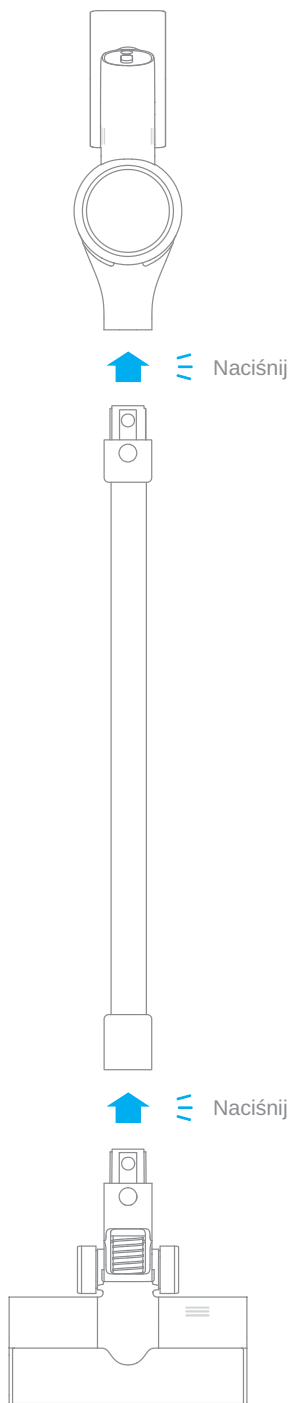
My, Dreame Trading (Tianjin) Co., Ltd., niniejszym oświadczamy, że to urządzenie jest zgodne z obowiązującymi dyrektywami i normami europejskimi oraz ich poprawkami. Pełny tekst deklaracji zgodności UE jest dostępny pod następującym adresem internetowym: [www.dreame-technology.com](http://www.dreame-technology.com)

Szczegółową elektroniczną instrukcję obsługi można znaleźć na stronie <https://www.dreame-technology.com/pages/user-manuals-and-faq>



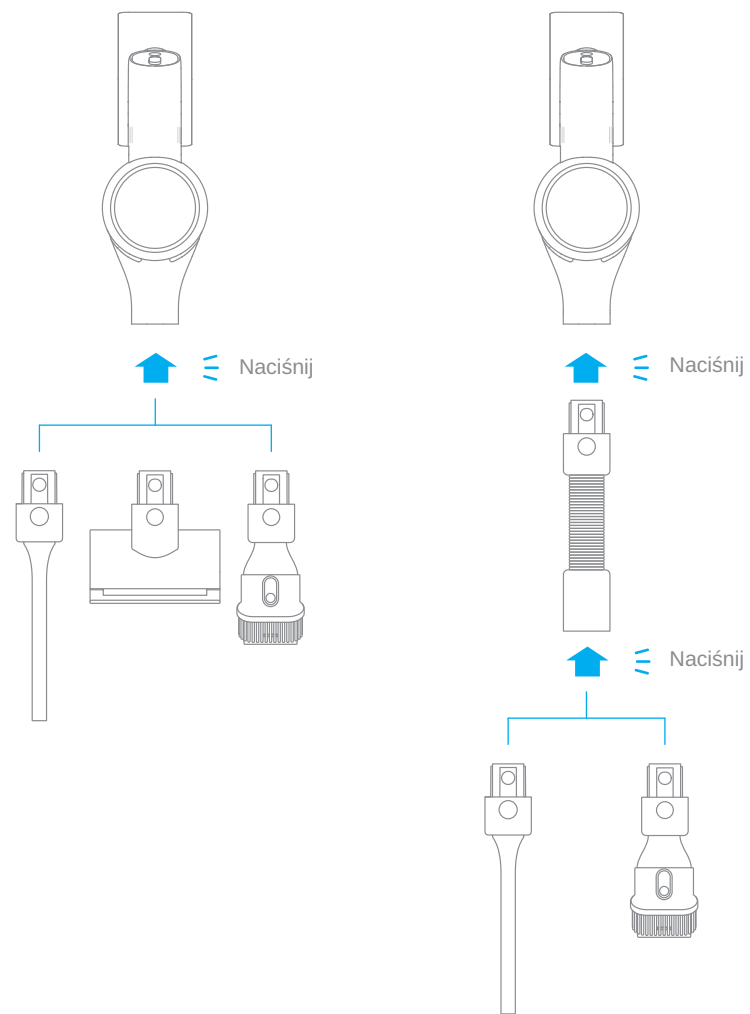
# Montaż

## Montaż odkurzacza



# Montaż

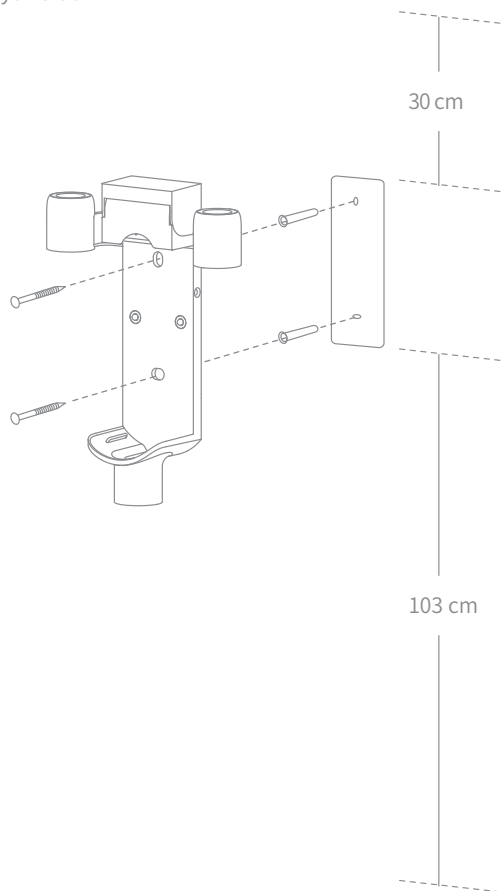
## Montaż akcesoriów



### Montaż wspornika stacji ładującej 2w1

Wspornik stacji ładującej 2w1 jest akcesorium opcjonalnym. Można zamontować go w zależności od potrzeb.

1. Wspornik stacji ładującej powinien być zamontowany w chłodnym i suchym miejscu, z zasilaniem znajdującym się w pobliżu. Przed montażem upewnij się, że w przestrzeni bezpośrednio za nim nie ma przewodów elektrycznych ani rur.
2. Umieść naklejkę pozycjonującą na ścianie równoległą do podłoża. Zaleca się, aby dolna krawędź naklejki znajdowała się nie mniej niż 103 cm od podłoża. (\*30cm: Zaleca się zostawienie wystarczająco dużo miejsca na wszelki wypadek, gdyby w przyszłości była konieczność dokupienia wymiennej akumulatora).
3. Za pomocą wiertarki z wiertłem 8mm wywierć otwór w każdym oznaczeniu na naklejce pozycjonującej, a następnie włóż kołki rozporowe do każdego otworu.
4. Wyrównaj otwory na śruby wspornika do otworów w ścianie i przymocuj wspornik za pomocą dołączonych śrub.



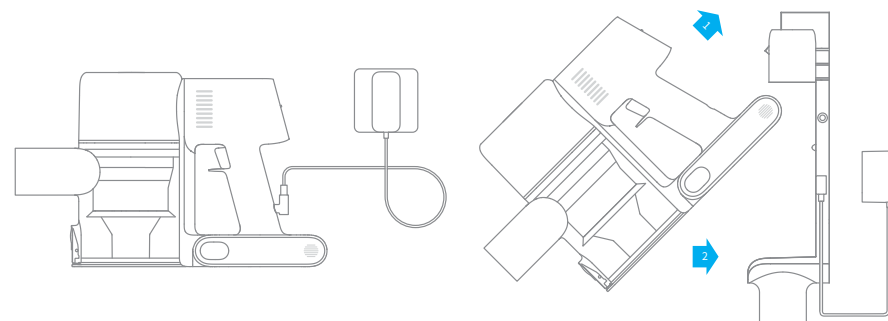
Odkurzacz nie można używać podczas ładowania.

Uwaga: Pełne naładowanie akumulatora trwa około 3,5 godziny. Odkurzanie w trybie pełnej mocy przez dłuższy czas spowoduje nagrzanie akumulatora, co wydłuży czas ładowania. Przed ładowaniem zaleca się odstawienie odkurzacza do ostygnięcia na 30 minut.

### Sposoby ładowania

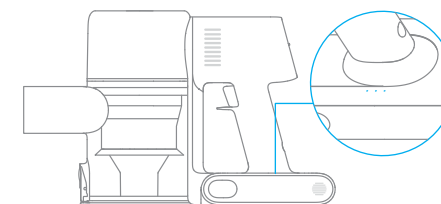
Ładowanie odkurzacza za pomocą zasilacza

Ładowanie odkurzacza w stacji ładującej



### Wskaźnik LED poziomu akumulatora

- ● ☀ Niski poziom akumulatora
- ☀ ○ Średni poziom akumulatora
- ☀ ○ ○ Akumulator prawie naładowany
- ○ ○ Akumulator naładowany
- Włączony ☀ Miganie ○ Włączony



Uwaga: Po pełnym naładowaniu odkurzacza wskaźnik stanu akumulatora wyłączy się po 5 minutach, a odkurzacz przejdzie w tryb oszczędzania energii.



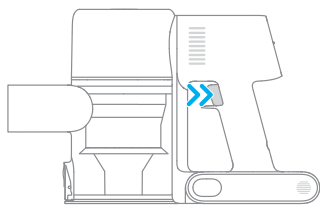
# Sposób użycia

## Tryb czyszczenia

Odkurzacz posiada dwie metody pracy, które można wybrać w oparciu o własne potrzeby.

Metoda 1: Tryb nieciągłego czyszczenia

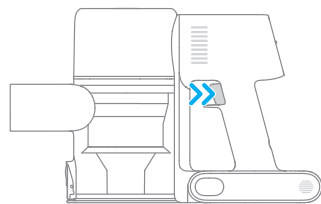
Naciśnij i przytrzymaj przycisk, aby uruchomić czyszczenie lub zwolnij go w celu natychmiastowego zatrzymania.



Metoda 2: Tryb ciągłego czyszczenia (Blokada Elektryczna)

Naciśnij elektroniczny przycisk blokady, aby przełączyć się na tryb ciągłego czyszczenia, a następnie naciśnij krótko przełącznik włączania/wyłączania, aby utrzymać odkurzacz w trybie ciągłego czyszczenia.

Używanie elektrycznej blokady uwalnia palce od nadwyrężenia spowodowanego trzymaniem przełącznika.



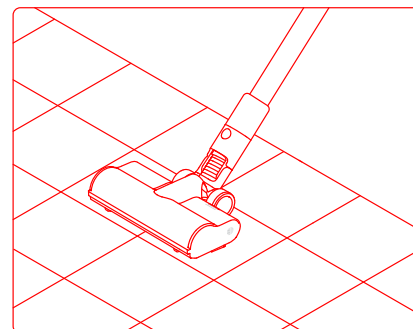
Uwaga: W tym trybie, wskaźnik blokady będzie świecił światłem stałym. Naciśnij ponownie przycisk blokady elektrycznej, aby zakończyć tryb czyszczenia ciągłego.

# Sposób użycia

## Korzystanie z różnych akcesoriów

Szczotka wielofunkcyjna

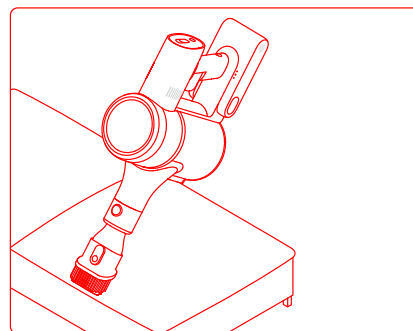
Nadaje się do odkurzania średnich i grubych dywanów, płytek i podłóg.



Uwaga: Szczotka wielofunkcyjna może być podłączona bezpośrednio do odkurzacza.

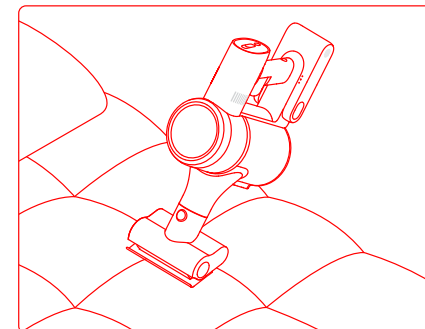
Dysza ze szczotką 2w1

Do odkurzania kurzu z zasłon, klawiatur, sufitów, sof, wnętrz pojazdów, stolików kawowych itp.



Elektryczna mini szczotka

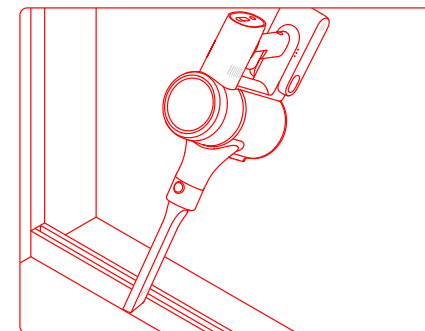
Do czyszczenia kurzu, sierści zwierząt domowych i innych uporczywych zanieczyszczeń z sof, pościeli i innych tkanin.



Uwaga: Nie zaleca się odkurzania na delikatnych powierzchniach, takich jak jedwab.

Dysza szczelinowa

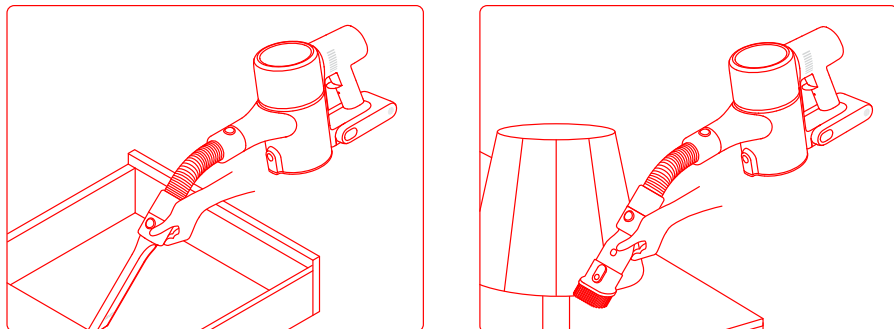
Nadaje się do odkurzania szczelin, narożników drzwi i okien, schodów i innych trudno dostępnych miejsc.



## Sposób użycia

Wąż przedłużający

Nadaje się do czyszczenia trudno dostępnymi miejsc, takich jak: szuflady, wnętrza pojazdów, powierzchnie pod kanapami, itp.



Uwaga:

- Jeśli jakiegokolwiek ruchomy przedmiot utknie, odkurzacz zostanie automatycznie wyłączony a czyszczenie zostanie kontynuowane po usunięciu wszystkich zablokowanych ciał obcych.
- Jeśli akumulator przegrzeje się, odkurzacz zostanie automatycznie wyłączony. Należy poczekać, aż temperatura akumulatora powróci do normy, a następnie kontynuować czyszczenie.

## Pielęgnacja i konserwacja

### Środki ostrożności

- Przed czyszczeniem należy upewnić się, że zasilacz jest odłączony. Należy uważać, aby nie uruchomić urządzenia.
- Należy zawsze używać oryginalnych części, aby gwarancja nie została unieważniona.
- Jeśli odkurzacz nie jest używany przez dłuższy czas, należy go w pełni naładować, odłączyć zasilanie i przechowywać w chłodnym miejscu o niskiej wilgotności, z dala od bezpośredniego światła słonecznego. Aby uniknąć nadmiernego rozładowywania akumulatora, należy ładować odkurzacz co najmniej raz na 3 miesiące.

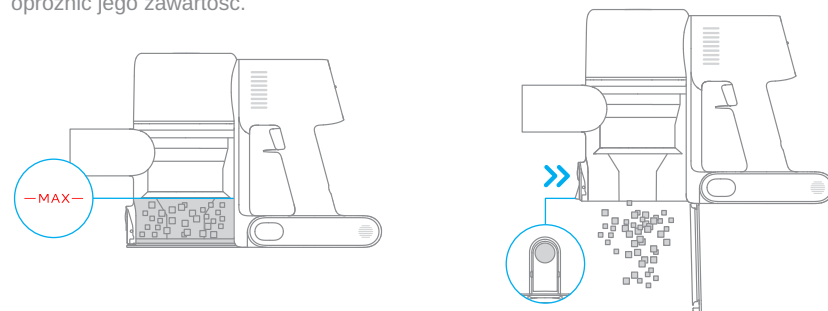
### Czyszczenie odkurzacza

Należy używać miękkiej, suchej ściereczki.

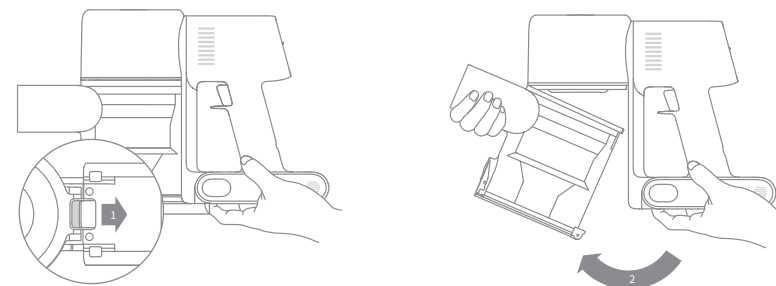
### Czyszczenie pojemnika na kurz, filtra wstępnego i zespołu cyklonów

Skuteczność odkurzacza zostanie zmniejszona, jeśli pojemnik na kurz zostanie napełniony do oznaczenia "MAX". Aby przywrócić pierwotną wydajność, należy opróżnić pojemnik na kurz. Przed opróżnieniem pojemnika na kurz należy upewnić się, że odkurzacz jest odłączony od zasilania. Nie należy naciskać przycisku zasilania.

1. Należy nacisnąć przycisk zwalniania dolnej pokrywy pojemnika na kurz, a następnie opróżnić jego zawartość.

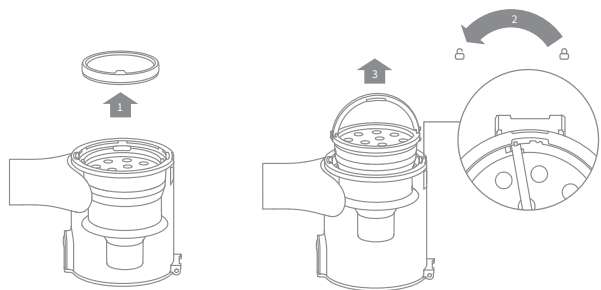


2. Należy wcisnąć przełącznik zwalniania pojemnika na kurz w kierunku wskazanym przez strzałkę, a następnie delikatnie wyjąć pojemnik na kurz z odkurzacza.

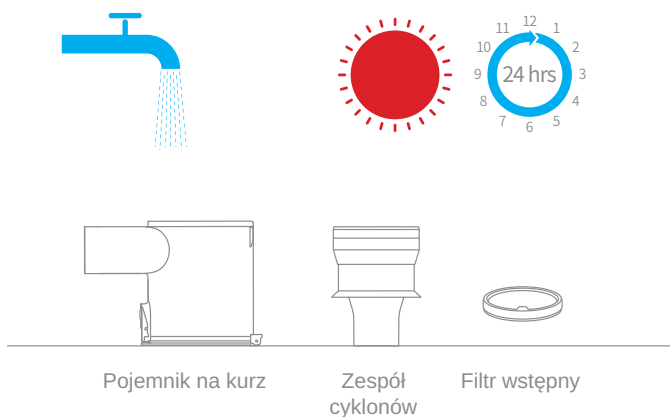


## Pielęgnacja i konserwacja

3. W pierwszej kolejności należy wyjąć filtr wstępny, a następnie unieść uchwyty zespołu cyklonów i obrócić w lewo, aż się zatrzyma. Następnie należy pociągnąć, aby wyjąć zespół cyklonów.



4. Należy przepłukać pod bieżącą wodą zespół cyklonów, filtr wstępny oraz pojemnik na kurz. Po myciu, należy pozostawić do wyschnięcia przez co najmniej 24 godziny.



Uwaga:

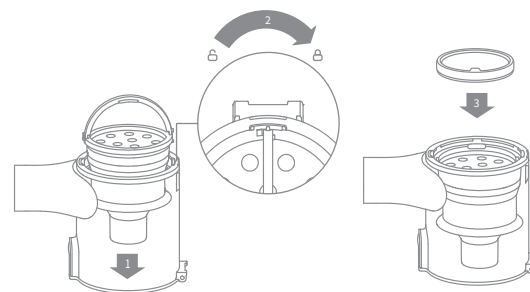
- Zaleca się czyszczenie pojemnika na kurz przynajmniej raz na miesiąc.
- Zaleca się czyszczenie filtra wstępnego przynajmniej raz na 3 miesiące, a zespołu cyklonów przynajmniej raz na 6 miesięcy.

## Pielęgnacja i konserwacja

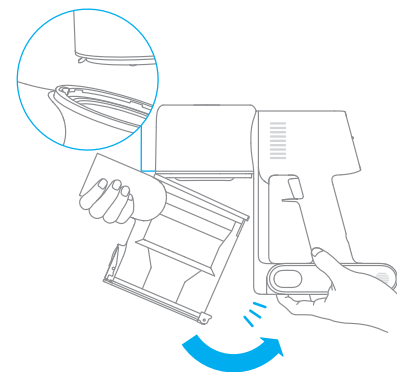
### Montaż pojemnika na kurz, filtra wstępnego i zespołu cyklonów

1. Należy włożyć zespół cyklonów pionowo do pojemnika na kurz i upewnić się, że uchwyty zespołu cyklonów jest na równi z wgłębieniem po lewej stronie pojemnika na kurz. Należy obrócić uchwyty zgodnie z ruchem wskazówek zegara, aż się zablokuje, a następnie obrócić uchwyty w dół.

2. Należy umieścić filtr wstępny z jego przednią stroną skierowaną do góry w zespole cyklonów.



3. Należy lekko przechylić pojemnik na kurz, aby jego szczelina była wyrównana z zatrzaskiem na odkurzaczu. Następnie należy delikatnie wsunąć pojemnik na kurz, aż zatrzaśnie się na właściwym miejscu.

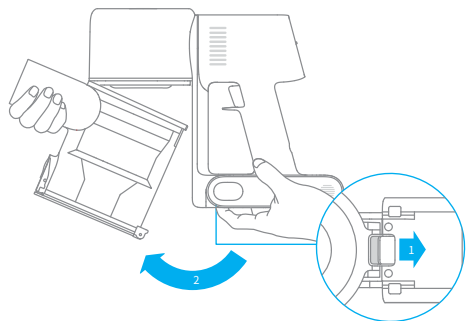


# Pielęgnacja i konserwacja

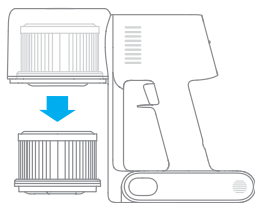
## Czyszczenie filtra

Zaleca się czyszczenie filtra raz na 4-6 miesięcy.

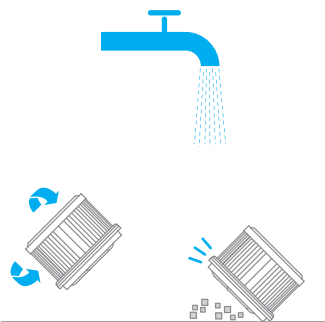
1. Należy zdjąć pojemnik na kurz, jak pokazano na ilustracji.



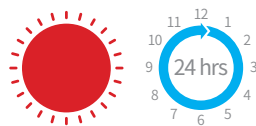
2. Należy wyjąć filtr z odkurzacza, pociągając go w dół w kierunku pokazanym na ilustracji.



3. Należy oczyścić filtr czystą wodą. Należy obracać filtr o 360°, aby dokładnie usunąć wszelki kurz. Następnie należy postukać lekko w filtr kilka razy, aby usunąć nadmiar brudu.



4. Należy pozostawić filtr do wyschnięcia na 24 godziny.



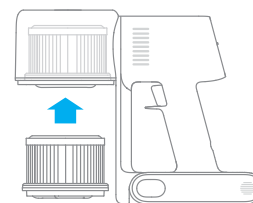
Uwaga:

- Do mycia filtra należy używać wyłącznie czystej wody. Nie należy używać detergentów.
- Nie należy próbować czyścić filtra szczotką ani palcem.

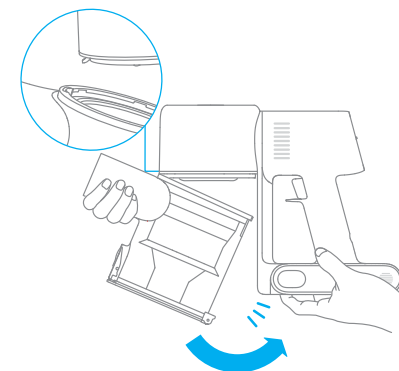
# Pielęgnacja i konserwacja

## Montaż filtra

1. Włóż filtr do odkurzacza i delikatnie dociśnij, tak, jak pokazano na ilustracji poniżej.



2. Ponownie zamontuj pojemnik na kurz.

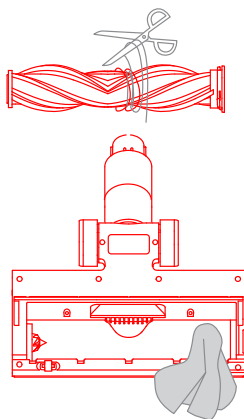
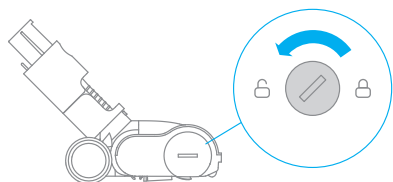


# Pielęgnacja i konserwacja

## Czyszczenie szczotki wielofunkcyjnej

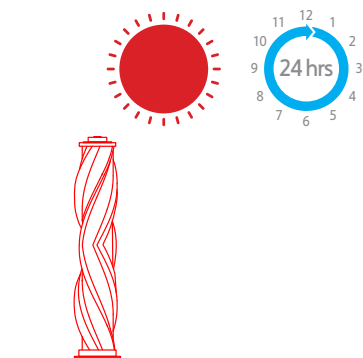
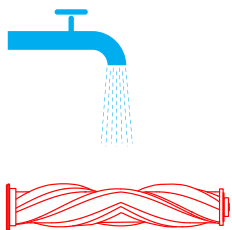
1. Obróć blokadę w kierunku przeciwnym do ruchu wskazówek zegara aż do oporu, a następnie wyjmij rolkę ze szczotki.

2. Użyj nożyczek, aby przeciąć włosy i inne włókna, które utknęły na głowicy rolki. Użyj suchej ściereczki lub ręcznika papierowego, aby wyczyścić szczotkę. Wyszusz dokładnie przed kolejnym użyciem.



3. Jeśli szczotka jest zabrudzona, przepłucz ją czystą wodą.

4. Szczotkę należy postawić pionowo przez co najmniej 24 godziny, do całkowitego wyschnięcia.

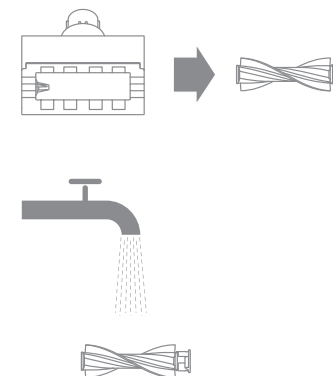


# Pielęgnacja i konserwacja

## Czyszczenie elektrycznej mini szczotki

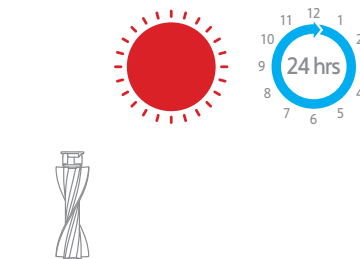
1. Użyć pokrętki, jak pokazano na rysunku, aby obrócić blokadę w lewo, aż usłyszysz kliknięcie.

2. Po odblokowaniu rolki wyjmij ją z elektrycznej mini szczotki, a następnie opłucz wodą i wyczyść głowicę szczotki.



3. Mini szczotkę należy postawić pionowo przez co najmniej 24 godziny, do całkowitego wyschnięcia.

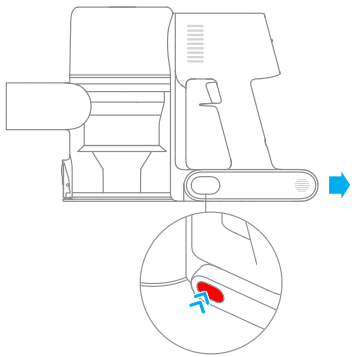
4. Po całkowitym wyschnięciu, należy ponownie zamontować rolkę, wykonując kroki demontażu w odwrotnej kolejności.



## Akumulator

Odkurzacz zawiera wymienny akumulator litowo-jonowy, który ma ograniczoną liczbę cykli ładowania. Po dłuższym użyciu akumulator może nie zostać naładowany. Jeśli tak się stanie, oznacza to, że akumulator osiągnął koniec żywotności i wymaga wymiany.

1. Naciśnij przycisk zwalniania akumulatora i przesuń akumulator w prawo, w celu wyjęcia go, tak, jak pokazano na ilustracji poniżej.
2. Zamontuj nowy akumulator.



Odkurzacz			
Model	VTN1	Napięcie ładowania	30 V $\overline{=}$
Moc znamionowa	400 W	Napięcie znamionowe	25,2 V $\overline{=}$
Czas ładowania	Okolo. 3,5 godziny		
Elektryczna mini ssawka			
Model	DM002		
Moc znamionowa	20 W	Napięcie znamionowe	25,2 V $\overline{=}$
Szczotka wielofunkcyjna			
Model	AVB9		
Moc znamionowa	40 W	Napięcie znamionowe	25,2 V $\overline{=}$
Zasilacz			
Model	YLS0251B-E300080	Średnia sprawność podczas pracy	88,53%
Wejście	100-240V~50/60Hz 0,8A max	Sprawność przy niskim obciążeniu (10%)	78,66%
Wyjście	30 V $\overline{=}$ 800 mA	Pobór energii bez obciążenia	0,09 W
Zasilacz			
Modelo	YLS0241A-A300080	Średnia sprawność podczas pracy	86,98%
Entrada nominal	100-240 V~50/60 Hz 0,8 A max	Sprawność przy niskim obciążeniu (10%)	80,67%
Salida nominal	30 V $\overline{=}$ 800 mA	Pobór energii bez obciążenia	0,08 W
Akumulator litowo-jonowy			
Model	P2010-7S1P-BW P2010-7S1P-BWB	Napięcie znamionowe	25,2 V $\overline{=}$
Pojemność znamionowa	2400 mAh	Prąd	60,48 Wh
Akumulator litowo-jonowy			
Model	P2010-7S1P-BWA	Napięcie znamionowe	25,2 V $\overline{=}$
Pojemność znamionowa	2350 mAh	Prąd	59,22 Wh

## Najczęściej zadawane pytania

Jeśli odkurzacz nie działa prawidłowo, należy zapoznać się z poniższą tabelą rozwiązywania problemów.

Błędy	Możliwe przyczyny	Rozwiązania
Odkurzacz nie działa.	Odkurzacz jest rozładowany lub poziom akumulatora jest niski.	Należy naładować akumulator w pełni i kontynuować użytkowanie.
	Tryb ochrony przed przegrzaniem został wywołany blokadą.	Należy oczyścić otwory ssące lub kanał powietrzny. Poczekaj aż temperatura urządzenia spadnie i uruchom je ponownie.
	Otwór ssący lub kanał powietrzny jest zablokowany.	Należy usunąć wszelkie ciała obce z otworu ssącego lub kanału powietrznego.
Słaba siła ssania.	Pojemnik na kurz jest pełny i/lub filtr jest zatkany.	Należy opróżnić pojemnik na kurz i wyczyścić filtr.
	Akcesoria są zablokowane.	Należy oczyścić akcesoria z wszelkich ciał obcych.
Silnik wydaje dziwny dźwięk.	Główny otwór ssący lub przedłużenie jest zablokowane.	Należy oczyścić główny otwór ssący lub przedłużenie z wszelkich ciał obcych.
Po włączeniu odkurzacza pierwszy wskaźnik zapalił się na czerwono.	Akumulator jest uszkodzony.	Prosimy skontaktować się z działem obsługi posprzedażowej.
W czasie ładowania pierwszy wskaźnik zapalił się na czerwono.	Zasilacz jest niewłaściwy.	Należy używać wyłącznie oryginalnej ładowarki w celu ładowania odkurzacza.

## Najczęściej zadawane pytania

Błędy	Możliwe przyczyny	Rozwiązania
Wskaźnik akumulatora nie świeci się w czasie ładowania.	Zasilacz nie jest podłączony do odkurzacza.	Upewnij się, że zasilacz jest prawidłowo podłączony.
	Akumulator jest w pełni naładowany i przeszedł w tryb uśpienia.	Spróbuj ponownie użyć odkurzacza.
	Jeśli po wykluczeniu powyższych dwóch możliwości problem nadal występuje.	Proszę skontaktować się z biurem obsługi posprzedażowej.
Odkurzacz ładuje się powoli.	Temperatura akumulatora jest za niska lub za wysoka.	Należy poczekać i kontynuować użytkowanie, kiedy temperatura akumulatora wróci do normy.

Akumulator litowo-jonowy zawiera substancje, które są niebezpieczne dla środowiska. Przed użyciem odkurzacza należy wyjąć akumulator, a następnie wyrzucić go lub poddać recyklingowi zgodnie z lokalnymi przepisami i regulacjami kraju lub regionu, w których jest używany.

### Informacje dot. utylizacji w UE (WEEE)



Wszystkie produkty opatrzone tym symbolem są zużytym sprzętem elektrycznym i elektronicznym (WEEE, jak w dyrektywie 2012/19/UE), którego nie należy mieszać z niesortowanymi odpadami komunalnymi. Należy chronić zdrowie ludzkie i środowisko poprzez przekazanie sprzętu specjalnemu punktowi zbiórki odpadów do recyklingu zużytego sprzętu elektrycznego i elektronicznego, wyznaczonego przez władze rządowe lub lokalne. Prawidłowa utylizacja i recykling pomogą zapobiec potencjalnym negatywnym skutkom dla środowiska i zdrowia ludzkiego. Aby uzyskać więcej informacji na temat lokalizacji oraz warunków takich punktów zbiórki, należy skontaktować się z producentem lub władzami lokalnymi.

## تعليمات السلامة

لتجنب الإصابات المختلفة مثل الصدمات الكهربائية والحرق الناجم عن الاستخدام غير السليم، يرجى قراءة دليل التعليمات بعناية قبل الاستخدام والاحتفاظ به بشكل صحيح.

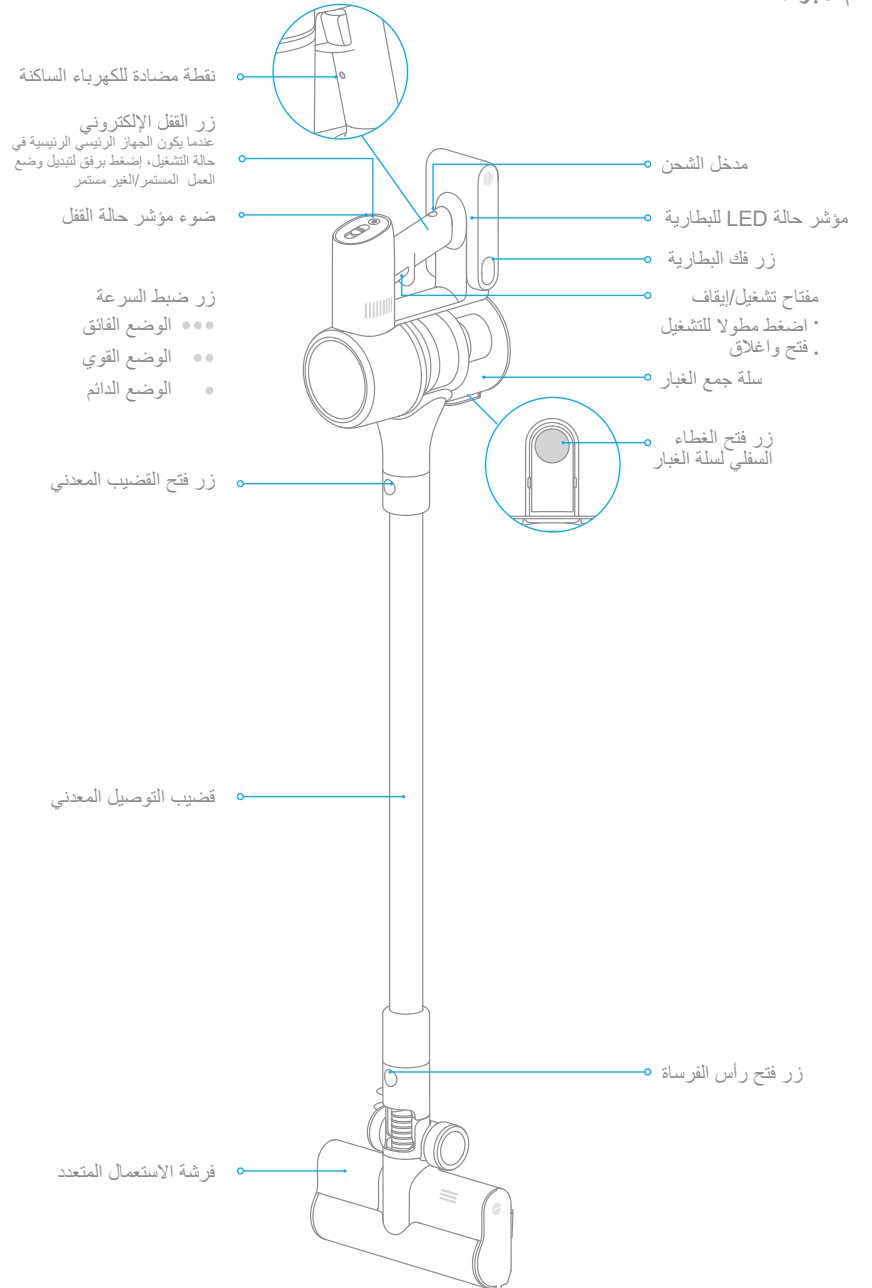
### تحذير

- يمنع استخدام هذا المنتج من قبل الأشخاص ذوي الإعاقات الجسدية أو الحسية أو الذهنية، والأشخاص الذين ليس لديهم الخبرة والمعرفة الكافية (بما في ذلك الأطفال)، ما لم يكن هناك إشراف أو توجيه من شخص ذو كفاءة للتأكد من أنه يمكنهم استخدام هذا المنتج بأمان.
- يمنع الأطفال من استخدام المنتج أو تشغيله، وعند استخدام هذا المنتج بمحيط الأطفال من الضروري الانتباه إليه والمراقبة عن كثب، ومنع الأطفال من تنظيف المنتج أو صيانتهم.
- يحظر استخدام الجهاز في الهواء الطلق أو على الأسطح الرطبة بل ينصح باستخدامه على الأسطح الجافة في الداخل، لا تلمس القابس أو أي جزء من الجهاز بيد مبللة.
- لمنع حدوث حريق أو انفجار أو إصابة، يرجى التحقق مما إذا كانت بطارية الليثيوم والشاحن تالفاً قبل الاستخدام، ويحظر استخدام المكثفة الكهربائية في حالة تلف بطارية الليثيوم أو الشاحن.
- تعد جهاز شفط الغبار بفرشاة الاستعمال المتعدد، والفرشاة الكهربائية المصغرة، والبطارية، وأسلاك التوصيل المعدني والجهاز الرئيسي للمكثفة الكهربائية أجزاء تحمل شحنات كهربائية. يرجى عدم غمرها في الماء أو سوائل أخرى للتنظيف، بعد التنظيف اليومي، يرجى التأكد من أن جميع الفلترات جافة تماماً.
- عند تنظيف فرشاة الاستعمال المتعدد، يرجى إيقاف تشغيل الجهاز الرئيسي أولاً، لمنع رأس الفرشاة الدوارة من الحاق الأذى بالمستخدم، يُمنع استخدام المنتج عند عدم تركيب فرشاة الاستعمال المتعدد وسلّة الغبار والفلتر.
- استخدم الشاحن الأصلي فقط، ولا تستخدم محولات غير رسمية، خلاف ذلك قد يؤدي إلى اشتعال النيران في بطارية الليثيوم.
- لا تستخدم المنتج لامتنعص الماء والبززين والسوائل الأخرى القابلة للاشتعال والانفجار، ولا تستنشق المحاليل السامة، مثل مبيض الكلور أو الأمونيا أو منظفات الصرف الصحي أو السوائل الأخرى.
- يحظر استخدام المكثفة الكهربائية لتنظيف الجير والاسمنت ومسحوق الجبس ورماد الموقد والرماد وكميات كبيرة من الطحين ومسحوق الكربون وما إلى ذلك، ويحظر استنشاق الدخان أو المواد المحترقة مثل الفحم أو أعقاب السجائر أو أعواد الثقاب.
- التحقق من المنطقة المراد تنظيفها قبل الاستخدام ضروري جداً، لتجنب وجود قطعاً كبيرة من الورق أو كرات ورقية أو قطعة قماش بلاستيكية أو أشياء حادة (مثل الزجاج والمسامير والبراغي والعملات المعدنية، إلخ)، بالإضافة إلى الأشياء التي يزيد قطرها عن قطر الفتح، يرجى استبعادها مسبقاً لتجنب انسداد الفوهة والتأثير على الاستخدام العادي للمنتج.
- حافظ على تدفق الهواء وتحرن أجزاء الجهاز بعد 1 عن الشعر ومالبس فضفاضة والصابع وأجزاء أخرى من الجسم، وال تجنب المواصلات المعدنية أو غيرها من الملححات نحو عنق أو أذن أو فم.
- يمنع وضع أي مادة على الفوهة. يحظر استخدام المكثفة الكهربائية في حالة انسداد أي منفذ شفط، حيث قد يؤدي الغبار أو الصوف الفلطي أو الشعر أو أي عناصر أخرى إلى تقليل تدفق الهواء، يرجى تنظيفها في الوقت المناسب.
- تجنب وضع المكثفة الكهربائية على أسطح غير مستقرة مثل الكراسي وطاولات الطعام وما إلى ذلك، لمنع تلف المكثفة الكهربائية الرسمية المعتمدة. لا تقم بإصلاحها وتفكيكها بنفسك.
- يرجى شحن البطارية بدقة وفقاً للإرشادات الواردة في الدليل، فقد يؤدي الشحن غير الصحيح خارج نطاق درجة الحرارة المحدد إلى تلف البطارية.
- يرجى فصل الجهاز من مصدر الكهرباء عند عدم الاستخدام لفترة طويلة، وقيل الصيانة أو الإصلاح.
- يرجى التركيز والانتباه عند الاستخدام وتنظيف السلالم خاصة.
- يرجى عدم تركيب أو شحن أو استخدام هذا المنتج في الهواء الطلق، وفي الحمام أو حول حوض السباحة.
- تحذير من مخاطر الحريق: لا تضع أي منتجات عطرية على فلتر هذا المنتج، ومن المعروف أن المواد الكيميائية الموجودة في هذه المنتجات قابلة للاشتعال ويمكن أن تتسبب في اشتعال المنتج.
- استخدم محول الطاقة الأصلي طراز (AU) YLS0241A-A300080 / (EU) YLS0251B-E300080 فقط، استخدام محولات أخرى فقد يؤدي إلى اشتعال بطارية الليثيوم.
- استخدم بطارية طراز P2010-7S1P-BW/P2010-7S1P-BWA/P2010-7S1P-BWB فقط، استخدام بطاريات أخرى فقد يؤدي إلى اشتعال بطارية الليثيوم.
- إذا تم تحرير مادة البطارية، فأخرج الأفراد من المنطقة حتى تبرد البطاريات وتتبدد الأبخرة.
- قم بتوفير أقصى تهوية للتخلص من الغازات الخطرة وتجنب استنشاق الأبخرة أو جعلها تلامس البشرة والعينين.
- أزل السائل المنسكب باستخدام وسيلة مجففة واحرق النفايات.
- يجب عدم الإستهلاك والتخزين في بيئة شديدة الحرارة أو البرودة (أقل من 0 درجة / 32 درجة فهرنهايت أو أعلى من 40 درجة / 104 درجة فهرنهايت). عند الشحن استخدم محول الطاقة الأصلي والشحن عند درجة حرارة 0 إلى 40 درجة مئوية.
- هذا المنتج مصمم للاستخدام المنزلي فقط.

للحصول على دليل إلكتروني مفصل، يُرجى الانتقال إلى

<https://www.dreame technology.com/pages/user-manuals-and-faqs>

### اسم الأجزاء





## نظرة عامة حول المنتج

## قائمة الملحقات



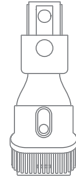
محول الطاقة



أنبوب ناعم ممتد



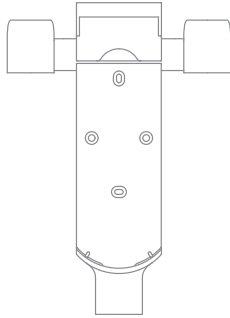
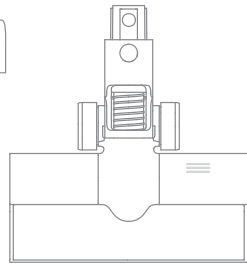
شق فوهة



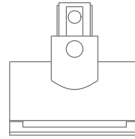
فوهة فرشاة 2 في 1



قضيب التوصيل المعدني

حامل شحن وتخزين 2 في 1  
(يتضمن عدد 2 برغي وعدد 2 مقبس  
حائط وملصق نموذج التركيب)

فرشاة الاستعمال المتعدد



فرشاة كهربائية صغيرة

نصيحة: الرسوم التوضيحية في هذا الدليل هي للإشارة فقط، يرجى الرجوع للمظهر الفعلي.

## تركيب الجهاز الرئيسي



طرقة



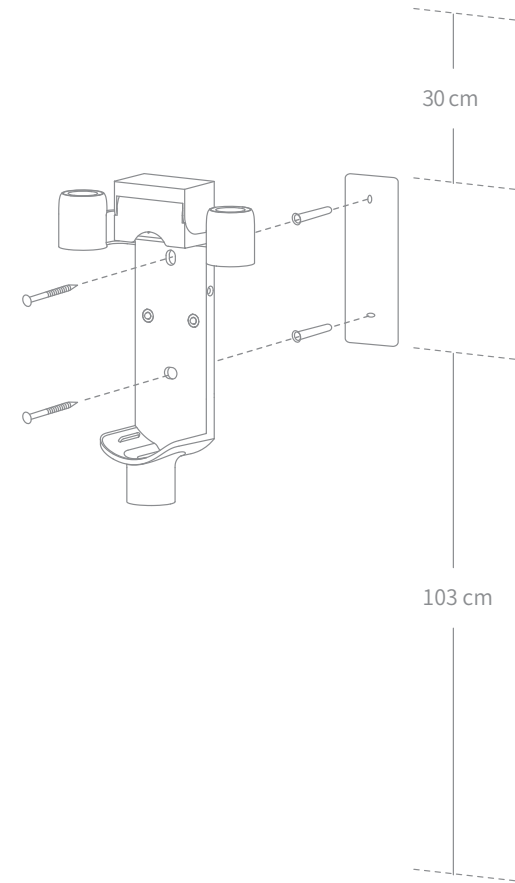
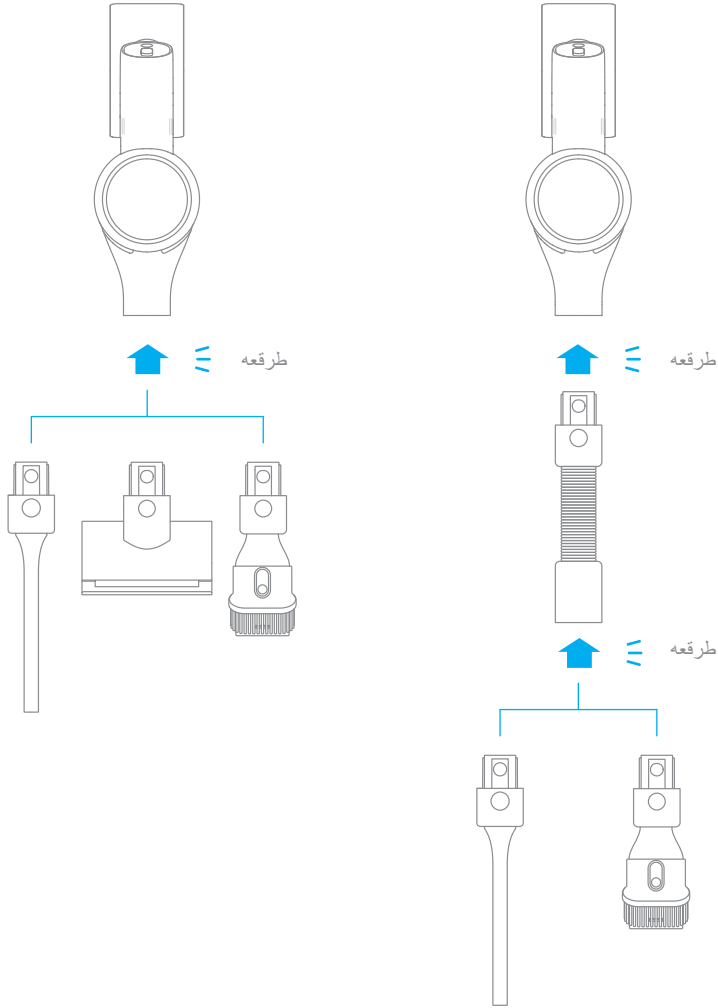
طرقة

## تركيب الملحقات

## تركيب حامل الشحن والتخزين 2 في 1

الحامل هو جزء اختياري، يمكن اختيار تركيبه وفقاً للوضع الفعلي.

1. يجب تثبيت حامل التخزين في مكان بارد وجاف مع وجود مصدر طاقة قريب، والتأكد من عدم وجود مرافق مثل الأسلاك أو الأنابيب خلف منطقة التثبيت مباشرة.
2. ضع مَلصق التثبيت على الحائط واجعله موازياً للأرض. يوصى بأن يكون الطرف السفلي للملصق أكثر من 103 سم من الأرض، ويجب أن يترك الطرف العلوي مسافة 30 سم على الأقل دون أي عوائق. (\* 30 سم: من أجل الاحتفاظ بمساحة شحن للشراء اللاحق للبطاريات الاحتياطية)
3. استخدم أداة كهربائية مع مثقاب 8 مم لحفر الثقوب وفقاً للثقوب لتثبيت في مَلصقات التثبيت، وضع أنبوب التوسعة في الفتحة المحفورة.
4. قم بمحاذاة فتحة التثبيت الخاصة بدعامة التخزين بفتحة التثبيت في مَلصقات التثبيت، وقم بتثبيت حامل التخزين على الحائط باستخدام البراغي.



## وضع التنظيف

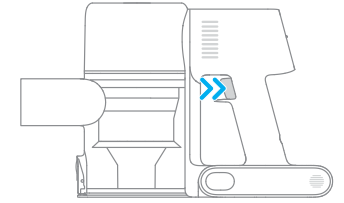
هناك وضعان لعمل مكنسة التنظيف الكهربائية، والتي يمكن اختيارها وفقاً لاحتياجاتك الخاصة.

الطريقة الأولى: وضع العمل المتقطع وضغط مطولاً على مفتاح الجهاز الرئيسي لبدء العمل، وعند الإيقاف أعد المفتاح لوضعه الطبيعي.

الطريقة الثانية: وضع العمل المستمر

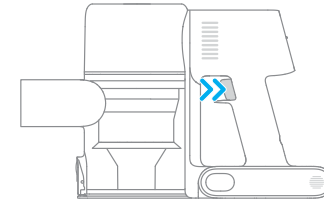
عندما يكون الجهاز الرئيسي الرئيسية قيد التشغيل، اضغط لمرة واحدة للتبديل لوضع العمل المستمر، وفي نفس الوقت قم بفتح مفتاح الجهاز الرئيسي، وسوف تستمر الجهاز الرئيسي في العمل.

يمكن أن يؤدي استخدام وظيفة القفل الإلكتروني إلى تحرير أصابعك وتجنب إجهاد الإصبع الناجم عن الضغط باستمرار على المفتاح طوال الوقت.



الطريقة الثانية: وضع العمل المستمر  
عندما يكون الجهاز الرئيسي الرئيسية قيد التشغيل، اضغط لمرة واحدة للتبديل لوضع العمل المستمر، وفي نفس الوقت قم بفتح مفتاح الجهاز الرئيسي، وسوف تستمر الجهاز الرئيسي في العمل.

يمكن أن يؤدي استخدام وظيفة القفل الإلكتروني إلى تحرير أصابعك وتجنب إجهاد الإصبع الناجم عن الضغط باستمرار على المفتاح طوال الوقت.



ملاحظة:

- مؤشر حالة القفل يبقى مضيئاً عند تشغيل وضع العمل المستمر.
- إذا كنت بحاجة إلى الخروج من وضع العمل المستمر، فانقر فوق مفتاح  مرة أخرى.

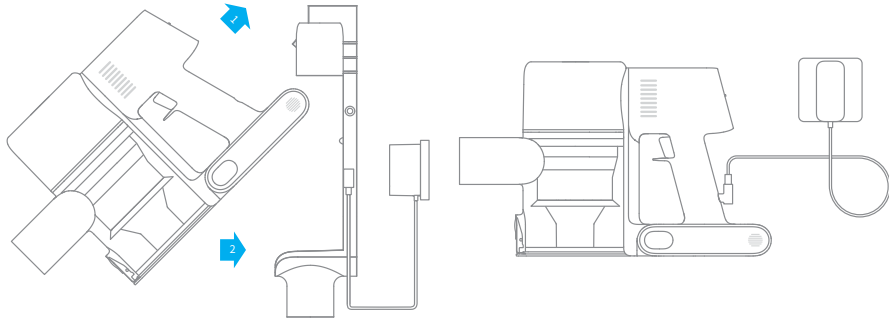
يرجى شحن البطارية بالكامل عند الاستخدام الأولي.

مدة الشحن 3.5 ساعات تقريباً. ترتفع درجة حرارة البطارية بعد الاستخدام المستمر للجير الفائق، في هذا الوقت إلى زيادة وقت الشحن عند شحن البطارية لذلك يوصى بترك الجهاز الرئيسي يبرد لمدة 30 دقيقة قبل الشحن.

## طريقة الشحن

الشحن المباشر لمحول الطاقة

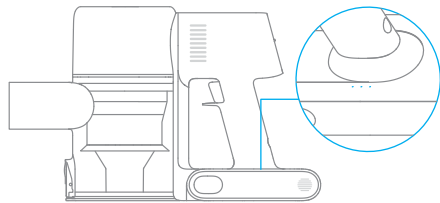
الشحن على المقعد المعلق



## مؤشر حالة LED للبطارية

- ● ● : الطاقة منخفضة
- ● ● : الطاقة متوسطة
- ● ● : ممتلئة تقريباً
- ● ● : الطاقة ممتلئة

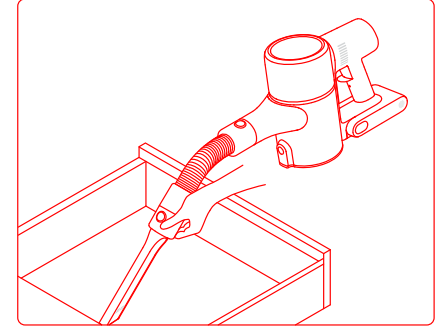
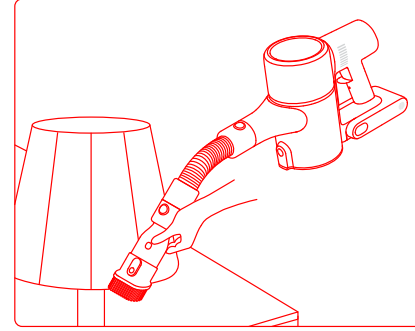
● معلق : مضيء



ملاحظة: بعد 5 دقائق من الشحن الكامل، ينطفئ ضوء المؤشر ويدخل في وضع توفير الطاقة.

أنبوب ناعم ممتد

مناسبة لتنظيف الأدراج وداخل السيارة وتحت الأريكة، وغيرها من الزوايا التي يصعب الوصول إليها.



ملاحظة:

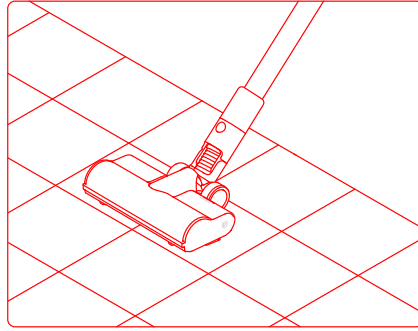
· قد يتوقف المنتج تلقائياً عند توقف أي جزء دوار، بعد إزالة جميع الأجسام الغريبة العالقة، يمكنك الاستمرار في استخدامه.  
· عند ارتفاع درجة حرارة البطارية، ستتوقف المكنسة الكهربائية تلقائياً. انتظر حتى تعود درجة حرارة البطارية إلى وضعها الطبيعي، ثم استأنف الاستخدام.

## استخدام المنتج

مجال استخدام الملحقات

فرشاة سجاد

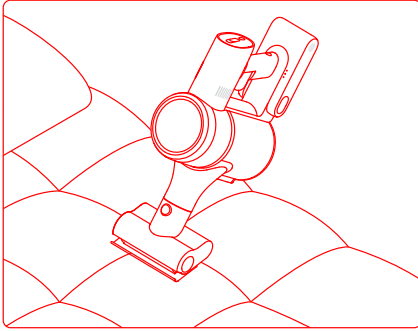
فرشاة السجاد: مناسبة لتنظيف السجاد ذي الشعر المتوسط والقصير، وكذلك القصير، وأيضاً لتنظيف البلاط والألواح الأرضية.



ملاحظة: يمكن تركيب الفرشاة الذكية متعددة الاستخدام بالجهاز الرئيسي واستخدامها.

فرشاة الاستعمال المتعدد

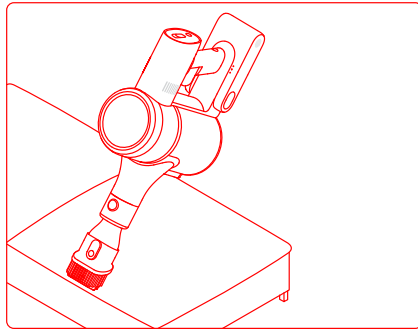
مناسب لتنظيف السجاد ذو الشعر المتوسط والقصير، وكذلك يمكن استخدامها لتنظيف أرضيات البلاط والأرضيات الخشبية.



ملاحظة: يمكن تثبيت فرشاة الاستعمال المتعدد مباشرة على الجهاز الرئيسي والاستخدام.

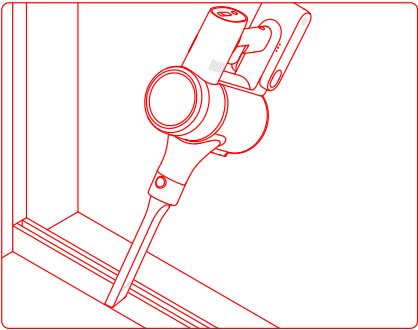
فوهة فرشاة 2 في 1

مناسبة لتنظيف غبار اسطح الستائر ولوحات المفاتيح والأسقف والسيارات وطاولات القهوة إلخ.



شق فوهة

مناسبة لتنظيف الأماكن الصغيرة مثل زوايا الأبواب والنوافذ وزوايا الجدران والسلالم.



## احتياطات الصيانة

- استخدم دائماً قطع الغيار الأصلية لإبقاء الضمان سارياً.
- في حالة انسداد الفلتر أو الفوهة، ستتوقف المكثسة عن العمل بعد فترة وجيزة من تشغيلها، ولاستعادة العمل، قم بتنظيف الفلتر أو الفوهة.
- إذا لن يتم استخدام المكثسة الكهربائية لفترة طويلة، قم بشحنها بالكامل وفصلها عن الطاقة ثم تخزنيها في بيئة باردة منخفضة الرطوبة بعيداً عن أشعة الشمس المباشرة. لتجنب شحن البطارية المفرط، أعد شحن المكثسة الكهربائية مرة واحدة على الأقل كل ثلاثة أشهر.

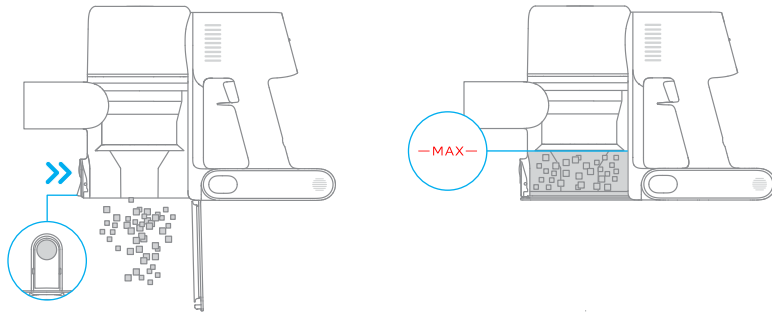
## تنظيف الجهاز الرئيسي

امسح الجهاز الرئيسي باستخدام قطعة قماش جافة وناعمة.

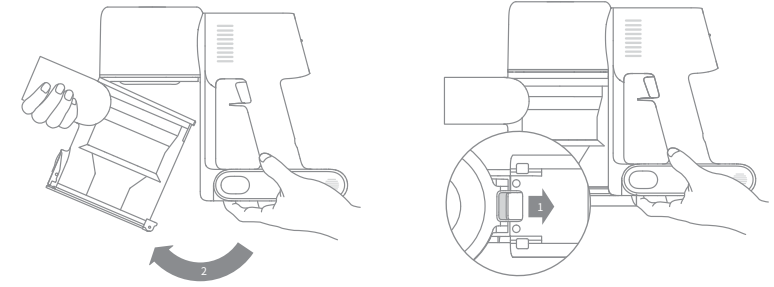
## نظف سلة الغبار والفلتر ومكونات النظام المخروطي

ستتخف قدرة تنظيف المكثسة الكهربائية عند امتلاء سلة جمع الغبار إلى علامة الحد الأقصى "MAX". لاستعادة القدرة على الأداء، قم بتفريغ سلة الغبار في الوقت المناسب. قبل تفريغ السلة، تأكد من فصل المكثسة الكهربائية عن مصدر الطاقة ولا تضغط على زر الطاقة بها.

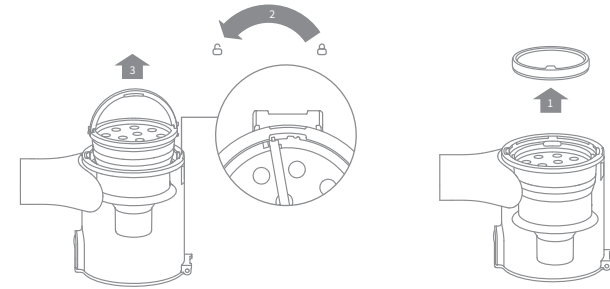
1. اضغط على زر فتح الغطاء السفلي لسلة الغبار في اتجاه السهم لفتح الغطاء السفلي لسلة الغبار وتفريغ الغبار من سلة الغبار.



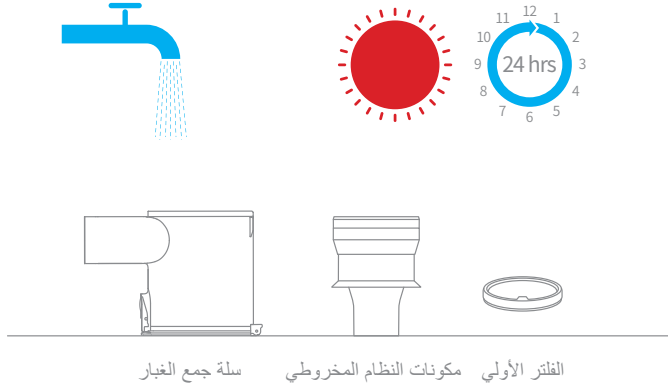
2. كما هو مبين في الشكل 1، اسحب مفتاح إزالة سلة الغبار أسفل حاوية الغبار في اتجاه السهم وقم بإزالة سلة الغبار في نفس الوقت، كما هو موضح في الشكل 2.



3. أخرج المرشح الأولي أولاً، ثم اسحب مقبض المكون لتدويره عكس اتجاه عقارب الساعة إلى موضع الإيقاف، وأخرج مكون النظام المخروطي للأعلى.



4. غسل المرشح الأولي ومكونات النظام المخروطي وسلة جمع الغبار بالماء النظيف حتى تصبح نظيفة، بعد الشطف اتركه يجف لمدة 24 ساعة على الأقل لضمان التجفيف الكامل.

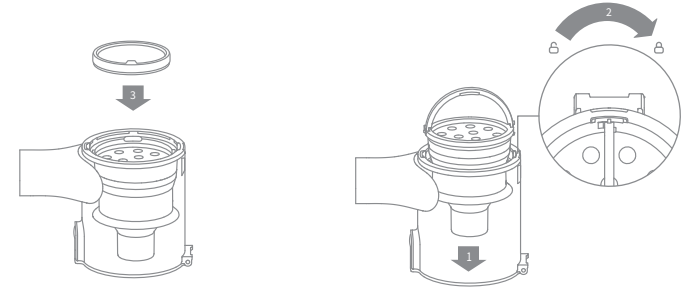


ملاحظة:  
 • ينصح بغسل سلة جمع الغبار مرة واحدة على الأقل في الشهر.  
 • يوصى بغسل الفلتر الأولي على الأقل مرة واحدة كل 3 أشهر ومكونات النظام المخروطي مرة واحدة على الأقل كل 6 أشهر.

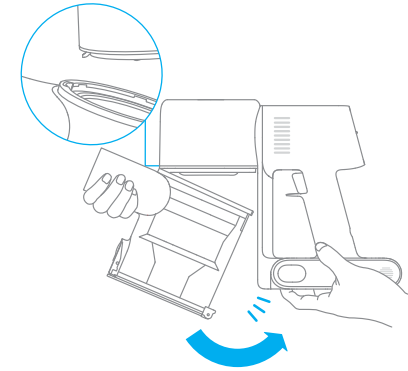
### تركيب سلة جمع الغبار والفلتر الأولي ومكونات النظام المخروطي

1. قم بإدخال مكونات النظام المخروطي عمودياً في سلة جمع الغبار، وتأكد من أن مقبض مكونات النظام المخروطي يصطف مع الفتحة الموجودة على الجانب الأيسر من سلة جمع الغبار. لف المقبض في اتجاه عقارب الساعة حتى يُقفل، ثم اقلب المقبض لأسفل.

2. ضع الفلتر الأولي بحيث يكون جانبه الأمامي مواجهًا لأعلى بمكونات النظام المخروطي.



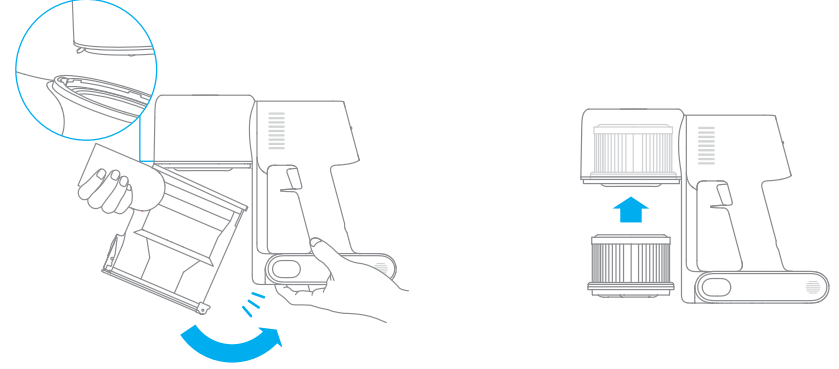
3. قم بإمالة سلة جمع الغبار قليلاً حتى تتوافق فتحتها مع المشبك الموجود على المكنسة الكهربائية. ثم ادفع سلة جمع الغبار برفق حتى تثبت في مكانها.



## تركيب فلتر الداخلي

1. قم بتركيب فلتر الداخلي مرة أخرى في الجهاز الرئيسي كما هو موضح في الشكل واضغط عليه برفق.

2. قم بإعادة تركيب سلة جمع الغبار.

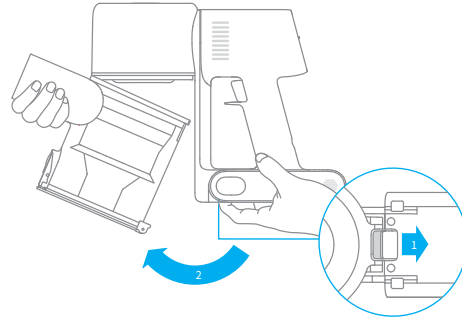


## العناية والصيانة

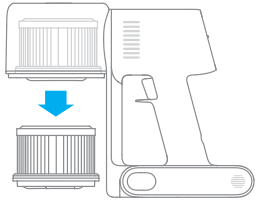
## تنظيف مرشح الداخلي

ينصح بغسلة مرة كل 4-6 أشهر

1. أزل سلة جمع الغبار كما هو مبيّن في الصورة.

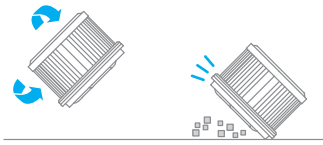
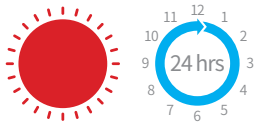


2. اسحب لأسفل في الاتجاه الموضح لإزالة مرشح الداخلي من الجهاز الرئيسي.



3. قم بغسل فلتر بالماء النظيف، قم بتدوير مرشح بزاوية 360 درجة للتأكد من إزالة الغبار الموجود في فجوات فلتر. اضغط على الفلتر برفق عدة مرات لإزالة كل الغبار.

4. قم بتعرض فلتر الداخلي للهواء لمدة 24 ساعة على الأقل لضمان التجفيف الكامل.

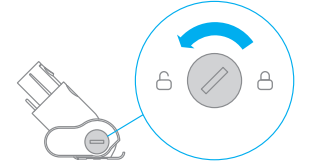


ملاحظة:

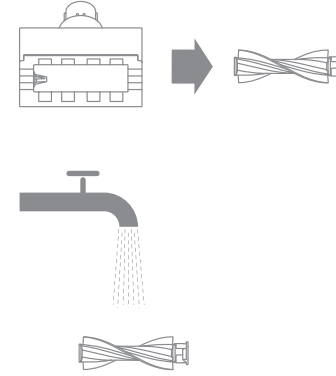
يرجى الغسل بالماء النظيف، وعدم استخدام أي منظف. تجنب استخدام الفرشاة أو الأصابع لتنظيف فلتر.

## تنظيف الفرشاة الكهربائية الصغيرة

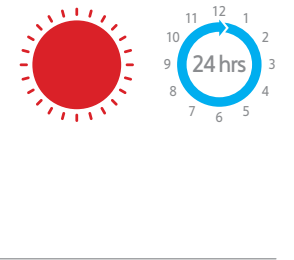
1. استخدم عملة معدنية لتدوير القفل عكس اتجاه عقارب الساعة حتى تسمع صوت نقرة.



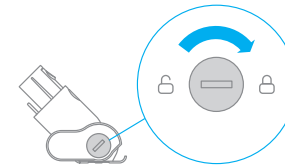
2. بعد فتح الفرشاة الدوارة، اخلعها من الفرشاة الكهربائية الصغيرة، ثم قم بشطف وتنظيف الفرشاة الدوارة.



3. بعد الغسيل، دع الفرشاة الدوارة تجف جيدًا عن طريق وضعها واقفة في منطقة جيدة التهوية لمدة 24 ساعة على الأقل.

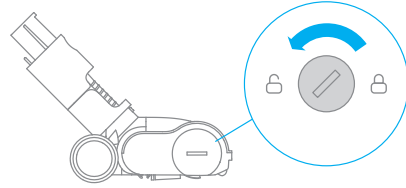


4. بعد التأكد من جفاف الفرشاة الدوارة تمامًا، قم بتجميعها بترتيب عكسي للتفكيك.

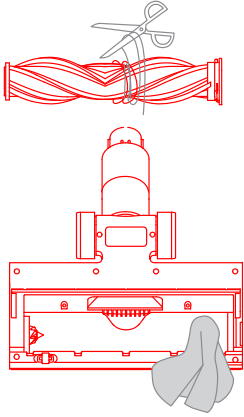


## تنظيف فرشاة الاستعمال المتعدد

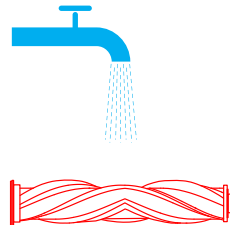
1. قم بتحريك إبزيم القفل عكس عقارب الساعة إلى موضع التوقف كما هو موضح في الصورة، ثم اضغط على الفرشاة لتخرج من فرشاة الأرضية.



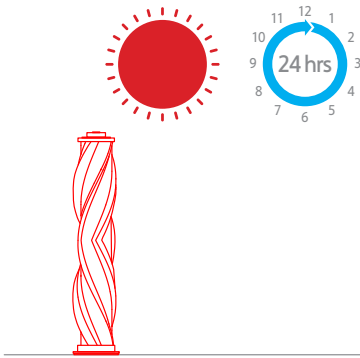
2. استخدم المقص لقطع والتقاط أي شعر أو مخلفات متشابكة حول الفرشاة الدوارة. امسح أي غبار زائد من الفتحة ونظف الغطاء البلاستيك باستخدام قطعة قماش جافة أو منشفة ورقية.



3. عندما تكون متسخة، اشطف رأس الفرشاة بالماء النظيف حتى تصبح نظيفة.



4. بعد الغسيل، دع الفرشاة الدوارة تجف جيدًا عن طريق وضعها واقفة في منطقة جيدة التهوية لمدة 24 ساعة على الأقل.

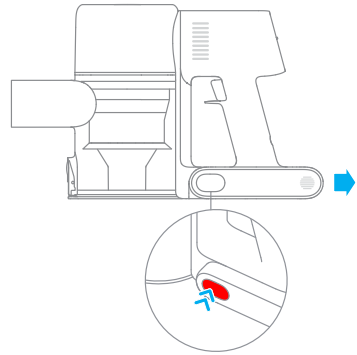




## علبة البطارية

تحتوي المكنسة الكهربائية على علبة بطارية ليثيوم أيون القابلة للإزالة وإعادة الشحن والتي تحتوي على عدد محدود من دورات إعادة الشحن. بعد الاستخدام الممتد، قد لا تحتفظ علبة البطارية بشحنة واحدة. وفي حال حدوث هذا الأمر، تكون علبة البطارية قد وصلت إلى نهاية دورة عمرها التشغيلي وتحتاج إلى استبدالها.

1. اضغط لأسفل على زر تحرير علبة البطارية واسحب البطارية إلى اليمين، كما هو موضح، لإزالتها.
2. ثبت علبة البطارية الجديدة.



الجهاز الرئيسي			
رقم المنتج	VTN1	جهد الشحن	30 فولت ===
الطاقة المقدرة	400 واط	الجهد المقدر	25.2 فولت ===
مدة الشحن	حوالي 3.5 ساعات		
فرشاة كهربائية صغيرة			
الطرز	DM002	جهد المقدر	25.2 فولت ===
الطاقة المقدرة	20 واط	جهد المقدر	25.2 فولت ===
فرشاة الاستعمال المتعدد			
الطرز	AVB9	جهد المقدر	25.2 فولت ===
الطاقة المقدرة	40 واط	جهد المقدر	25.2 فولت ===
شاحن			
الطرز	YLS0251B-E300080	متوسط الكفاءة النشطة	88.53%
إدخال المقدر	100-240 فولت~ 60/50 هرتز 0.8 أمبير	الكفاءة عن الحمولة المنخفضة (10%)	78.66%
إخراج المقدر	30 فولت === 0.8 أمبير	استهلاك الطاقة بدون حمولة	0.09 واط
شاحن			
الطرز	YLS0241A-A300080	متوسط الكفاءة النشطة	86.98%
إدخال المقدر	100-240 فولت~ 60/50 هرتز 0.8 أمبير	الكفاءة عن الحمولة المنخفضة (10%)	80.67%
إخراج المقدر	30 فولت === 0.8 أمبير	استهلاك الطاقة بدون حمولة	0.08 واط
علبة بطارية ليثيوم أيون القابلة للشحن			
الطرز	P2010-7S1P-BW P2010-7S1P-BWB	الجهد الاسمي	25.2 فولت ===
تصنيف السعة	2400 مللي أمبير/ساعة	الطاقة	Wh 60.48
علبة بطارية ليثيوم أيون القابلة للشحن			
الطرز	P2010-7S1P-BWA	الجهد الاسمي	25.2 فولت ===
تصنيف السعة	2350 مللي أمبير/ساعة	الطاقة	Wh 59.22

عندما لا تعمل المكنسة الكهربائية بشكل طبيعي، يرجى الرجوع إلى الجدول أدناه للتعامل مع المشكلة.

أعطال شائعة	السبب المحتمل	الحلول
لا يضيء مؤشر البطارية أثناء الشحن.	الجهاز الرئيسي لا يتصل جيدا بمحول الطاقة.	تأكد من محول الطاقة موصل بشكل صحيح.
	البطارية مشحونة بالكامل ودخلت في وضع السكون.	يمكن استخدام المكنسة الكهربائية في الوضع الطبيعي.
	إذا استمرت المشكلة بعد استبعاد الاحتمالين المذكورين أعلاه.	يرجى الاتصال بخدمة ما بعد البيع للإصلاح.
البطارية تشحن ببطء.	درجة حرارة البطارية مرتفعة أو منخفضة للغاية.	يرجى الانتظار حتى تعود درجة حرارة البطارية إلى وضعها الطبيعي قبل الشحن.
أعطال شائعة	السبب المحتمل	الحلول
	أعطال شائعة	السبب المحتمل
المكنسة الكهربائية لا تعمل.	حماية تلقائية ناتجة عن ارتفاع درجة الحرارة بسبب الانسداد.	تنظيف قناة أو مدخل شفط الغبار وإعادة التشغيل بعد التبريد.
المكنسة الكهربائية لا تعمل.	انسداد قناة أو مدخل شفط الهواء.	تنظيف قناة أو مدخل شفط الغبار.
انخفضت قوة الشفط.	سلة الغبار ممتلئة، الفلتر مليء بالغبار ومسدود.	أفرغ السلة من الغبار ونظف الفلتر.
	انسداد الملحقات.	نظف انسداد الملحقات.
وجود صوت غريب عند تشغيل المحرك.	انسداد قضيب التوصيل المعدني أو مدخل الشفط الرئيسي.	قم بتنظيف العوائق الموجودة في مدخل الشفط الرئيسي وقضيب التوصيل المعدني.
يضئ المؤشر الأول باللون الأحمر عند التشغيل.	البطارية تالفة.	يرجى الاتصال بخدمة ما بعد البيع للإصلاح.
يومض المؤشر الأول باللون الأحمر عند شحن المكنسة الكهربائية.	محول الطاقة لا يتطابق.	يرجى استخدام محول الطاقة الأصلي.

أعطال شائعة	السبب المحتمل	الحلول
لا يضيء مؤشر البطارية أثناء الشحن.	الجهاز الرئيسي لا يتصل جيدا بمحول الطاقة.	تأكد من محول الطاقة موصل بشكل صحيح.
	البطارية مشحونة بالكامل ودخلت في وضع السكون.	يمكن استخدام المكنسة الكهربائية في الوضع الطبيعي.
	إذا استمرت المشكلة بعد استبعاد الاحتمالين المذكورين أعلاه.	يرجى الاتصال بخدمة ما بعد البيع للإصلاح.
البطارية تشحن ببطء.	درجة حرارة البطارية مرتفعة أو منخفضة للغاية.	يرجى الانتظار حتى تعود درجة حرارة البطارية إلى وضعها الطبيعي قبل الشحن.

تحتوي علبه بطارية ليثيوم أيون على مواد خطيرة على البيئة. قبل التخلص من المكنسة الكهربائية، يرجى أولاً إزالة علبه البطارية، ثم التخلص منها أو إعادة تدويرها وفقاً للقوانين واللوائح المحلية للبلد أو المنطقة التي تستخدم فيها.

- השתמש רק במטען המקורי (דגם) YLS0241A-A300080 (AU) / YLS0251B-E300080 (EU) ) כדי למנוע סכנת התלקחות של סוללת הליתיום-יון.
- השתמש רק בסוללה המאושרת (דגם P2010-7S1P-BWB/P2010-7S1P-BW/P2010-7S1P-BWA) כדי למנוע סכנת התלקחות של סוללת הליתיום-יון.
- אם משתחרר חומר מהמצבר, הרחק את אנשי הצוות מהאזור עד שהמצברים יתקררו והאדים יתפזרו.
- דאג לאוורור מרבי, כדי לפזר גזים מסוכנים ולמנוע שאיפה או מגע של האדים עם העור או העיניים.
- נקה כל נזל שנשפך באמצעות חומר סופג ושרוף את הפסולת.
- אין להשתמש ולאחסן בסביבות חמות או קרות במיוחד (מתחת ל-0°C/32°F ומעל 40°C/104°F פרנהייט). בשימוש בסוללה המקורית יש להטעין בטמפרטורת טעינה של בין 0°C ל-40°C.

לעיון במדריך מקוון מפורט, בקר בכתובת  
<https://www.dream technology.com/pages/user-manuals-and-faqs>

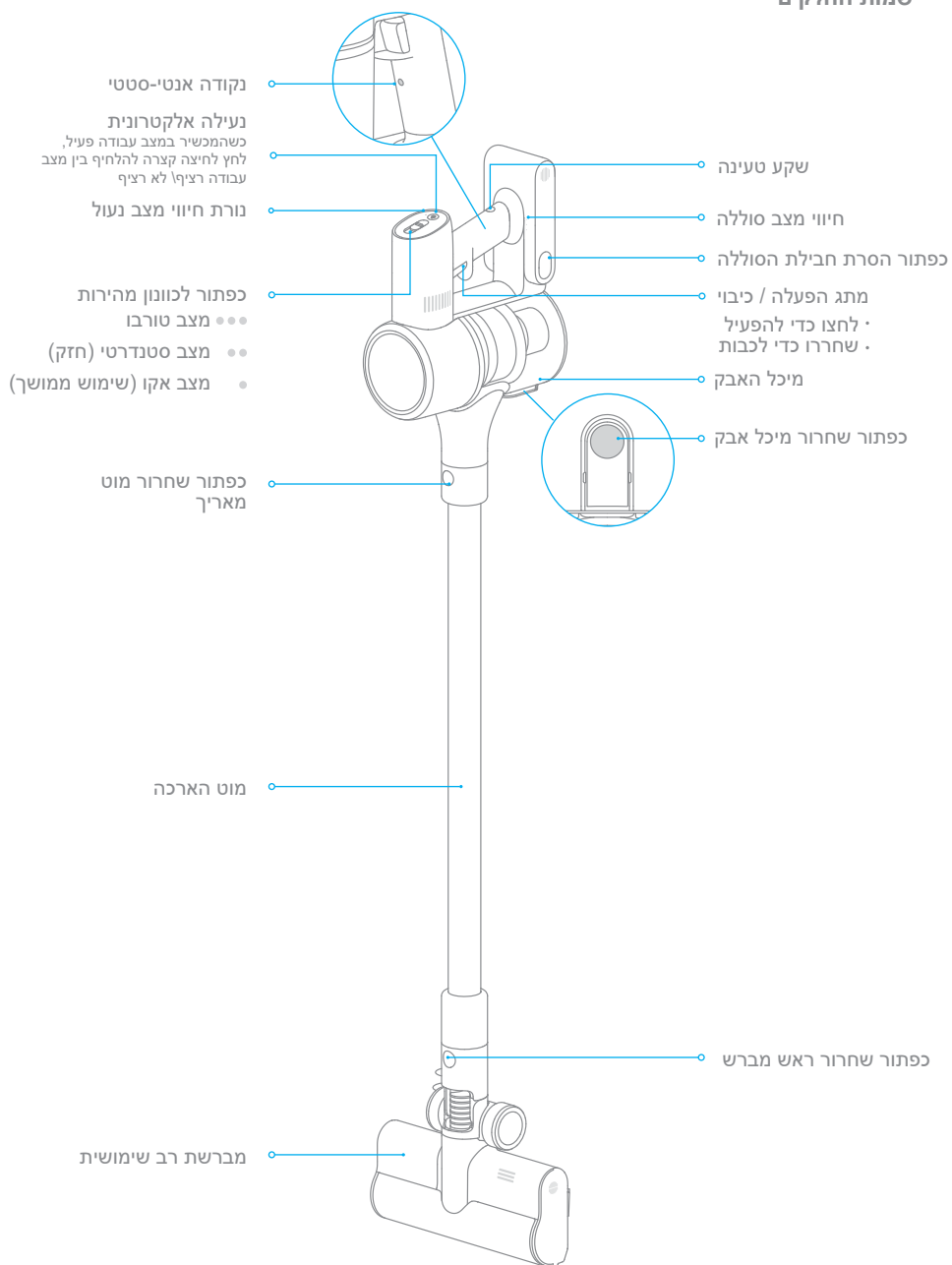
## הוראות בטיחות

למניעת תאונות לרבות מכת חשמל או שריפה הנגרמות כתוצאה משימוש לא נכון, אנא קראו מדריך זה בקפידה טרם השימוש במוצר ושמרו אותו אצלכם לעיון בעתיד.

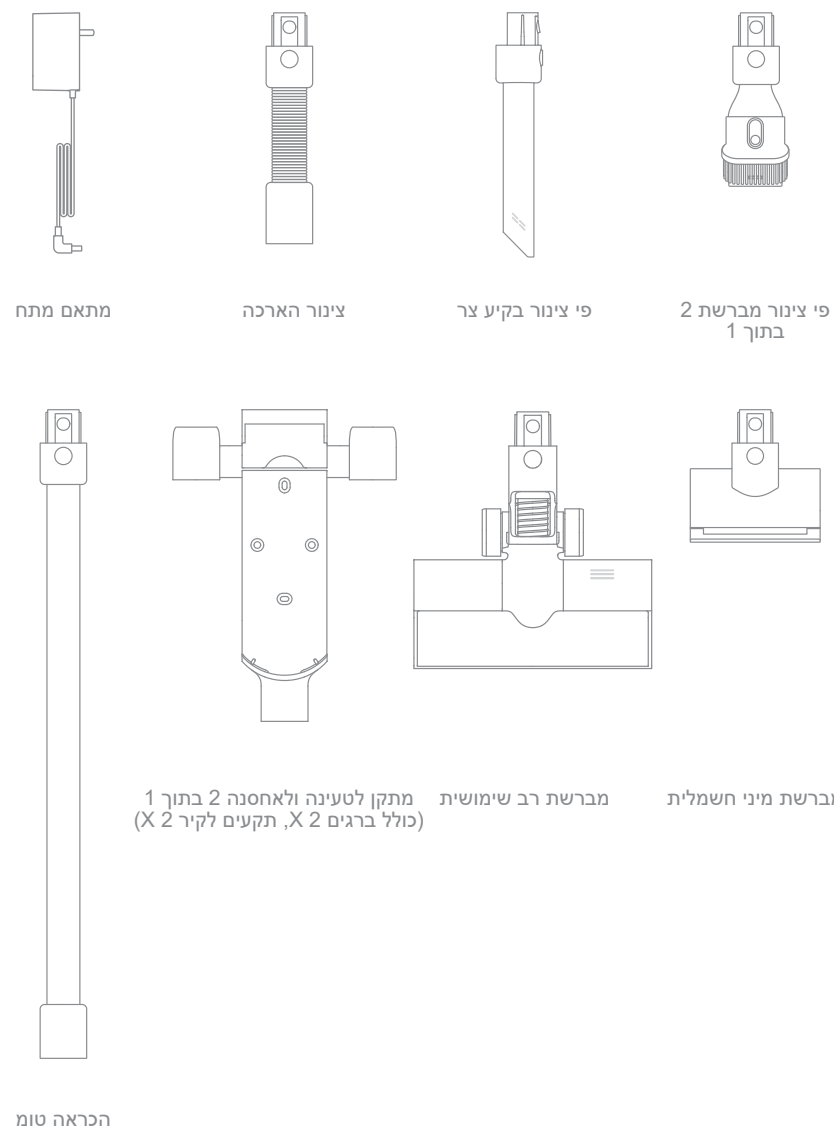
### הוראות בטיחות

- מוצר זה מותר לשימוש על ידי ילדים בני 8 ומעלה ועל ידי אנשים הסובלים מקלות גופנית, תחושית או שכלית, או בעלי ניסיון מוגבל או ידע מצומצם במידה והם נמצאים תחת השגחת הורה או מישהו ששומר עליהם וזאת על מנת להבטיח הפעלה בטוחה ולמנוע סכנות מכל סוג שהוא. פעולות הניקיון והתחזוקה לא יבוצעו על ידי ילדים ללא השגחה.
- שואב האבק אינו צעצוע. חל איסור על ילדים לשחק עם המוצר או להפעילו. אנא נקטו זהירות בעת השימוש בשואב האבק בקרבת ילדים. אין לאפשר לילדים לנקות או לבצע פעולות תחזוקה של שואב האבק אלא אם כן יש עליהם השגחה מצד הורה או אדם ששומר עליהם.
- אין לעשות שימוש בשואב האבק שטח פתוח או על גבי משטחים רטובים. השתמשו בשואב האבק רק על גבי משטחים יבשים במקומות סגורים. אין לגעת בתקע החשמל או בכל חלק אחר של שואב האבק בידיים רטובות.
- על מנת למנוע סכנת ההתלקחות, הפיצוץ או הפגיעה, וודאו כי סוללת הליתיום ומתאם הטעינה אינם פגומים טרם השימוש. אין לעשות שימוש בשואב האבק במידה וסוללת הליתיום או המטען פגומים.
- אין לנקות את המברשת החכמה הראשית, המברשת נגד קרדית אבק החשמלי, הסוללה, החלקים של המוט או את גוף המכשיר עצמו על ידי טבילה במים או כל חומר ניקוי אחר. לאחר ניקוי שגרתי יש לוודא שכלל המסננים יבשים.
- בזמן שמנקים את המברשת החכמה המרכזית יש לוודא שהמכשיר כבוי על מנת למנוע פגיעה במשתמש. אין להשתמש במכשיר בזמן שהמברשת המרכזית, מיכל האבק והמסננים אינם מותקנים היטב.
- יש להתשמש ככל האפשר במטען המגיע עם המוצר. אין לעשות שימוש במתאם שאינו רשמי, כיוון שהדבר עשוי לגרום להתלקחות של סוללת הליתיום.
- אין לעשות שימוש בשואב האבק ל שאיבת נזלים מתלקחים או דליקים, כגון בנזין או חומר מלבין, אמוניה, תכשירי ניקוי לניקוז תעלות או נזלים אחרים.
- אין לעשות שימוש בשואב האבק ל שאיבת חלקיקים של קיר גבס, אפר כגון אפר של קמין או חומרים המעלים עשן או בוערים כגון פחם, בדלי סיגריות או גפרורים.
- יש לבצע סריקה של המשטח המיועד ל שאיבה, ובמקרה שמוצאים חתיכות גדולות של נייר, פלסטיק או דברים חדים (כגון זכוכית, מסמרים, ברגים או מטבעות, אשר עשויים לגרום נזק למכונה). או כל דבר שגדול מפתח השאיבה, יש לפנותו לפני השאיבה על מנת למנוע חסימה של המכשיר.
- הרחיקו שערות, בגדים רפויים, אצבעות וחלקי גוף אחרים מפתחים וחלקים ניידים של שואב האבק. אין לכוון את הצינור, מטה או כלים לכיוון העיניים או האוזניים שלכם או להכניס אותם לתוך הפה שלכם.
- אין להכניס שום חפץ לתוך פתחי שואב האבק. אין לעשות שימוש בשואב האבק עם פתחים חסומים. הרחיקו אבק, מוך, שערות או פריטים אחרים שעשויים לצמצם את זרימת האוויר.
- אין להשעין את שואב האבק נגד כיסא, שולחן או משטח לא יציב אחר, כיוון שהדבר עשוי לגרום נזק למכונה או לפגיעה אישית. במידה ושואב האבק ניזוק בעקבות הפלה שלו או שיש בו תקלה מכל סוג אחר, אנא צרו קשר עם מחלקת השירות המוסמכת שלנו. לעולם אין לנסות ולפרק את המכשיר בעצמכם.
- יש להקיף לנהוג בהתאם לכל ההוראות המופיעות במדריך זה המתקשרות לטעינה חוזרת של הסוללה. כשל בטעינה נכונה של הסוללה בטווח הטמפרטורה המצוין עלול לגרום נזק לסוללה.
- וודאו כי שואב האבק מנותק ממקור החשמל כאשר אינו בשימוש למשך פרקי זמן ארוכים כמו גם טרם ביצוע פעולות תחזוקה או ניקיון מכל סוג שהוא.
- אנא נקטו זהירות יתרה בעת השימוש בשואב האבק לניקוי מדרגות.
- אין להתקין, להטעין או לעשות שימוש במוצר זה בהשטחים פתוחים, בחדרי אמבטיה או סביב בריכה.
- אזהרה מפני סכנת התלקחות: אין לשים כל סוג שהוא של חומר ריחני לתוך מסנן שואב האבק. מוצרים מהסוג הזה ידועים כמכילים חומרים כימיים מתלקחים שעשויים לגרום להתלקחות של שואב האבק.
- מוצר זה נועד לשימוש ביתי בלבד.

## שמות החלקים



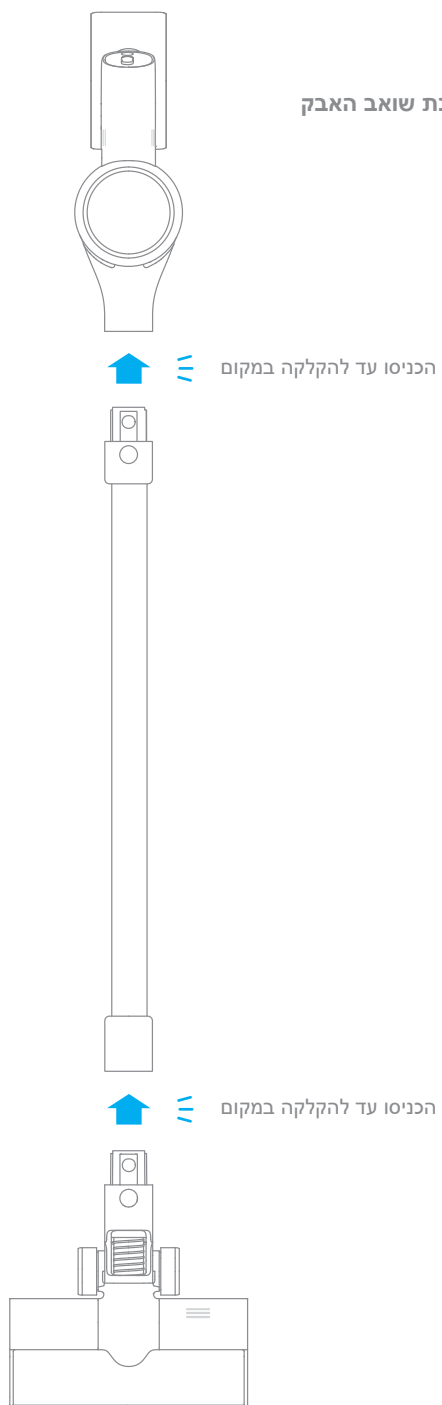
## רשימת אביזרים



תזכורת: תמונות המפרט מיועדות לעיון בלבד, על המראה בפועל מבוסס על המוצר עצמו.

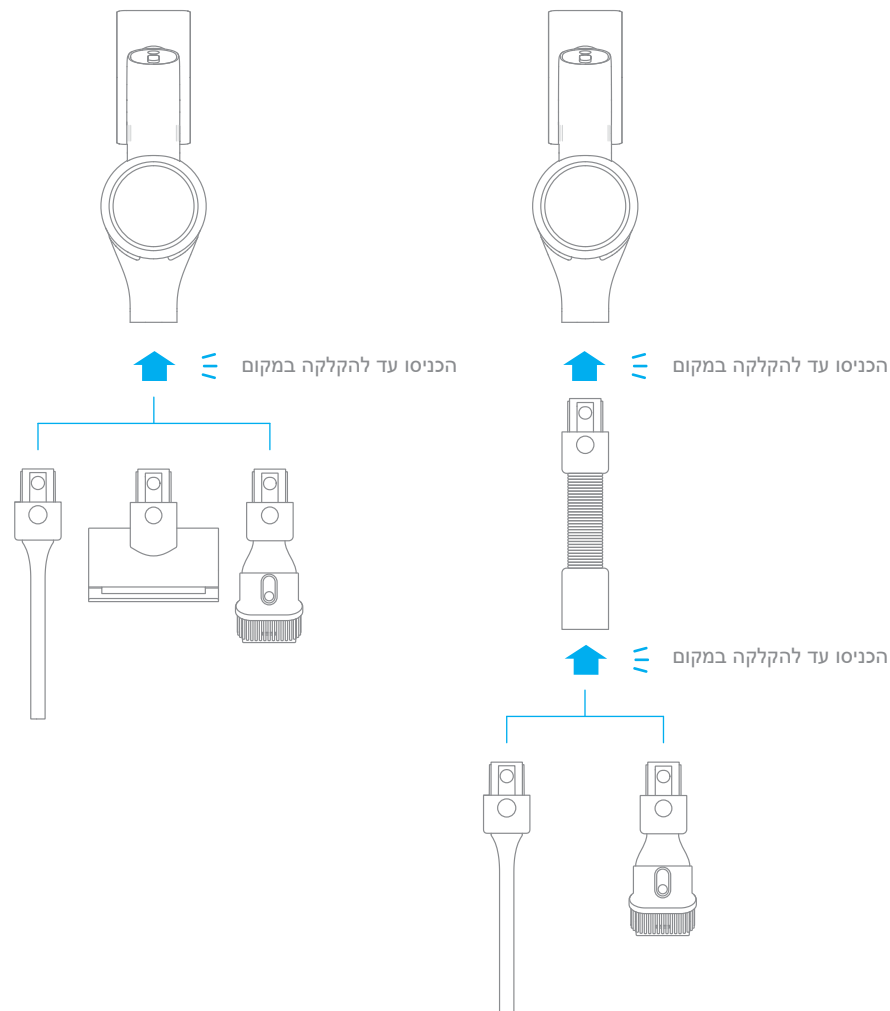
# התקנה

תרשים להתקנת שואב האבק והאבזרים



# הנקתה

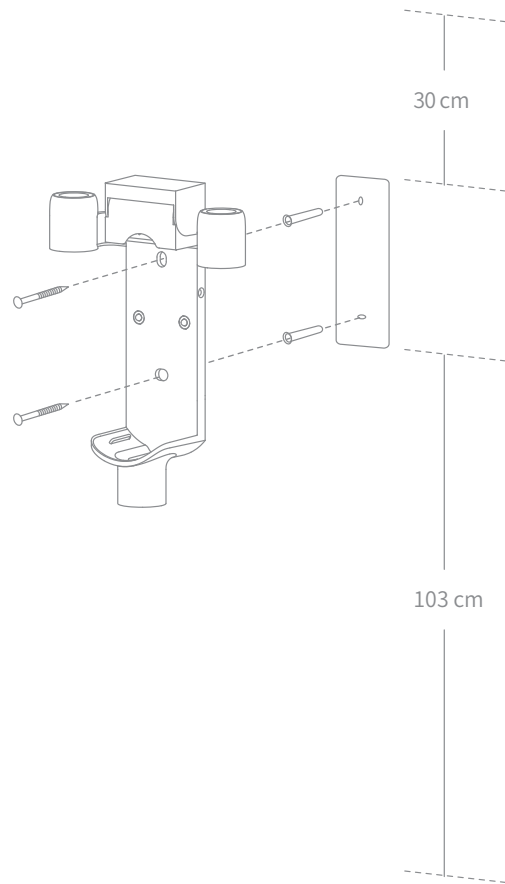
הוספת אביזרים



**מתקן הטעינה והאחסנה 2 בתוך 1**

כן מתקן הטעינה והאחסנה 2 בתוך 1 נחשב לאבזר אופציונלי, באפשרותכם להתקין אותו על סמך הדרישות שלכם.

1. יש להתקין את מתקן האחסון במקום קריר ויבש הסמוך למקור חשמל. יש לוודא שאין קבלי חשמל או צינורות העוברים מאחורי מקום ההתקנה.
2. הדביקו את מדבקת קביעת המקום על הקיר כך שהוא שומר על איזון עם הרצפה. מומלץ שתחתית המדבקה תהיה במרחק הגדול מ 103 ס"מ מהרצפה, ושמעל המדבקה תהיה לפחות 30 ס"מ\* של איזור פתוח ללא עצמים מפריעים. (30cm\* - נועד להשאיר מקום לסוללה רזרבית הניתנת לרכישה בנפרד).
3. השתמשו בקדיחה עוצמתית עם מקדח 8 מילימטרים כדי לקדוח חור לכל חור מסומן על מדבקת תבנית המשענת, ואז הכניסו שקע לכל חור.
4. תישרו את החורים על הכן מתקן עם החורים שעל הקיר. הדקו אותם אל הקיר עם הברגים המצורפים.

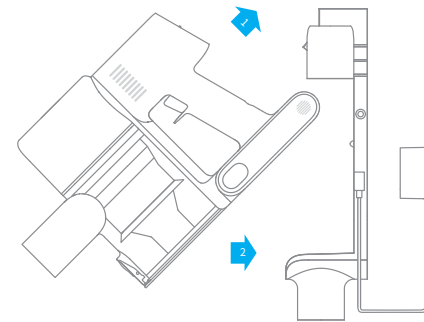


הטעינו את שואב האבק עד הסוף טרם השימוש בו בפעם הראשונה

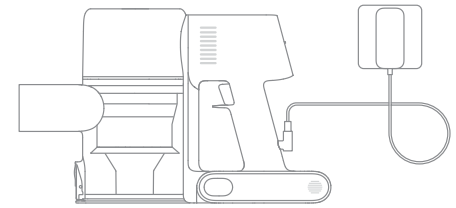
הערה: זמן הטעינה הוא כ-3.5 שעות. שאיבת אבק במצב טורבו למשך פרק זמן ממושך יביא להתחממות של הסוללה, מה שיגדיל את זמן הטעינה. אפשרו לשואב להתקרר למשך 30 דקות לפני טעינתו.

**צורות טעינה**

**טעינת שואב האבק עם עמדת ההטענה**

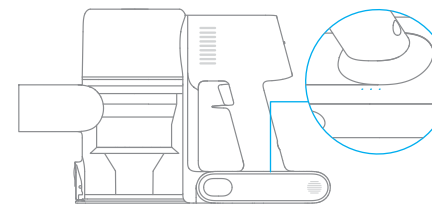


**טעינת שואב האבק עם המטען**



**נורת חיווי מצב הסוללה**

- ● ● סוללה חלשה ☀
- ● ○ סוללה טעונה ב- ☀
- ○ ○ סוללה כמעט טעונה לחלוטין ☀
- ○ ○ סוללה טעונה במלואה ☀
- כבוי ☀ מהבהב ○ דולק קבוע



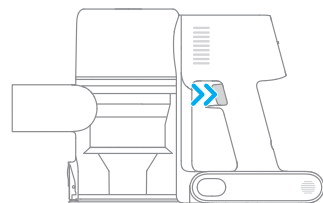
שימו לב: ברגע ששואב האבק טעון במלואו, החיווי ייכבה לאחר 5 דקות, ושואב האבק ייכנס למצב של חיסכון בחשמל.

## כיצד להשתמש

### מצבי עבודה

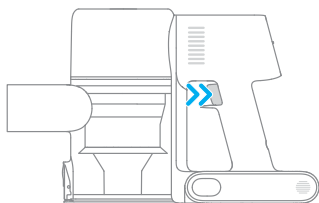
ישנם שני מצבי עבודה לשואב האבק, אותם ניתן לבחור בהתאם לצרכים שלכם.

מצב 1: מצב ניקוי לא רצוף  
לחצו והחזיקו את מתג שואב האבק כדי להתחיל לעבוד, ושחררו אותו כדי להפסיק מיד.



מצב 2: מצב ניקוי רציף (נעילה אלקטרונית)  
כשהמכשיר במצב עבודה פעיל, לחץ לחיצה בודדת על כפתור לנעילה למצב עבודה רציף, בזמן זה שחררו את המתג הפעלה, והמכשיר יפעל במצב רציף.

השתמשו במנעול האלקטרוני כדי לשחרר את האצבעות ולהימנע מעייפות האצבעות הנגרמת על ידי לחיצה על המתג.



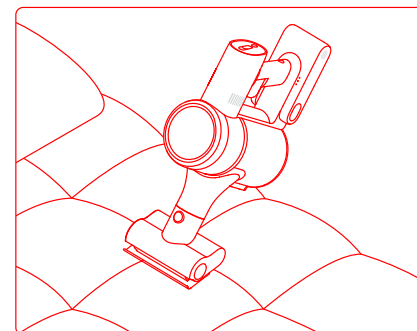
הערה:  
· בזמן פעולה במצב עבודה רציף, נורת החיווי מצב נעול ידלוק באופן קבוע.  
· לחצו שוב על לִּכּוּן כדי לצאת ממצב הניקוי הרצוף.

## כיצד להשתמש

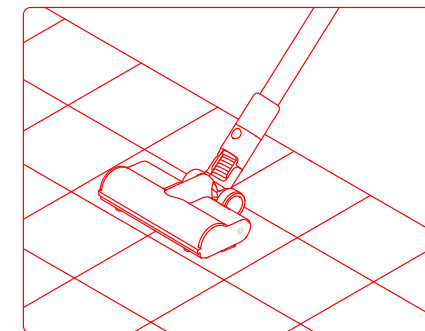
### שימוש באביזרים אחרים

#### מברשת רב שימושית

מתאים לניקיון של שטיחים על סיבים בינוניים וקצרים, וכן ניתן להשתמש בו לניקוי בלטות ופרקט.



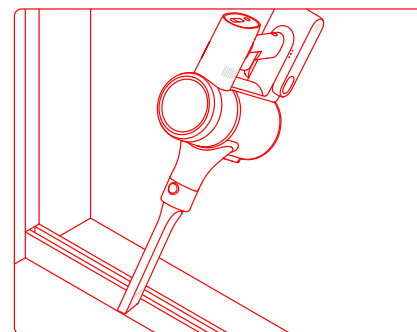
הערה: לא מומלץ לשימוש על משתחים שנפגעים בקלות (כגון משי וכו').



זכרו: אפשר להתקין ולהשתמש ב"מברשת הרב שימושית" על גבי המכשיר המרכזי.

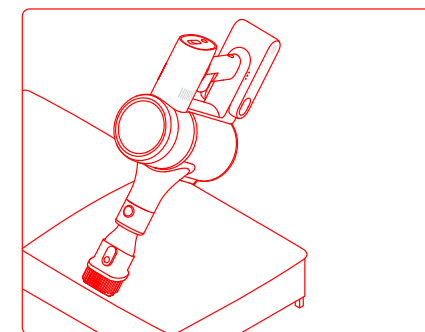
#### פי צינור בקיע צר

מתאימה לשאיבת אבק מחריצים ופינות של דלתות וחלונות, מדרגות ומקומות אחרים קשים להגעה.



#### פי צינור מברשת 2 בתוך 1

מתאים לניקוי אבק מוילונות, מקלדות, תקרות ופנים הרכב.



- השתמשו תמיד בחלקים מקוריים על מנת למנוע ביטול של האחריות שלכם על המוצר. במידה והמסנן 2. במידה והמסנן או פי צינור נחסמים, שואב האבק יפסיק לפעול פרק זמן קצר לאחר שמכבים אותו. להחזרת תפקוד שואב האבק לקדמותו, נקו את המסנן או את פי הצינור ורק לאחר מכן המשיכו בשימוש.
- במידה ולא מתוכנן לעשות שימוש בשואב האבק למשך פרק זמן ארוך, הטעינו אותו עד הסוף, נתקו את המתאם שלו ואחסנו אותו בסביבה קרירה עם רמת לחות נמוכה הרחק מאור שמש ישיר. למניעת פריקת יתר של הסוללה, הטעינו מחדש את שואב האבק לכל הפחות פעם ב- 3 חודשים.

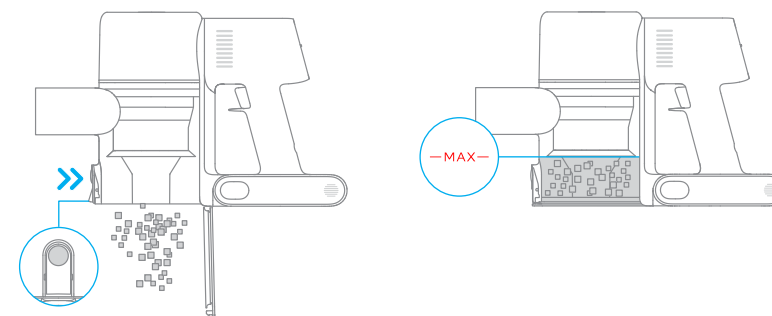
### ניקיון שואב האבק

נגבו את שואב האבק בעזרת מטלית יבשה ורכה.

### נקיון תא האבק, המסנן ומערכת הציקלון

יכולת הניקיון של שואב האבק תופחת אם תא האבק יהיה מלא עד לסימן המקסימום. כדי לטייב תוצאות, רוקנו את תא האבק אחת לכמה זמן. לפני ריקון התא, ודאו ששואב האבק מנותק מהחשמל, ואל תלחצו על כפתור ההדלקה.

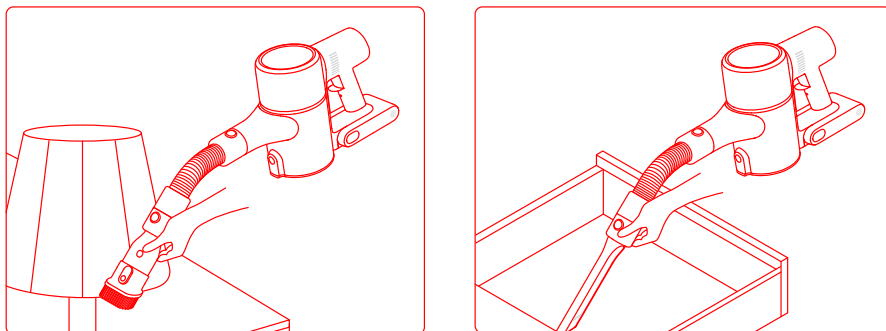
1. לחצו על הכפתור שבתחתית מכסה תא האבק בכיוון החץ, ואז רוקנו את תוכנו.



## כיצד להשתמש

### צינור הארכה

מתאים לנקיון של מגירות, פנים הרכב, מתחת לספה ועוד פינות שקשה להגיע אליהם.

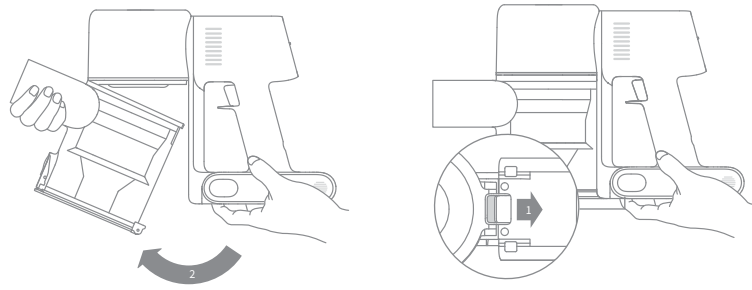


הערה:

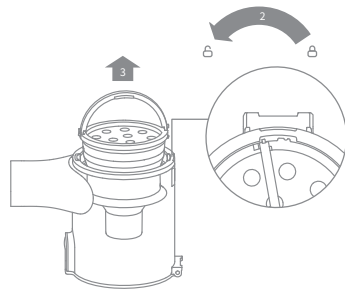
- אם חלק מסתובב נתקע, הוואקום עלול להיכבות אוטומטית. הסירו את כל החפצים הזרים שנלכדו, ואז המשיכו להשתמש.
- השואב ייכבה אוטומטית אם סוללה שלו יעבור למצב הגנה מפני התחממות יתר. המתינו עד שטמפרטורת סוללה תחזור לקדמותה לפני שתמשיכו להשתמש.



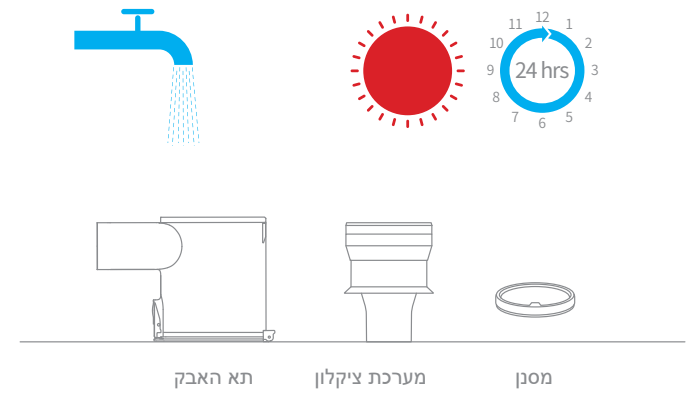
2. דחפו את מתג שחרור תא האבק בכיוון שהחץ מורה, ואז הסירו בעדינות את תא האבק משואב האבק.



3. הסירו קודם את המסנן, ואז הרימו את הידית של מערכת הציקלון ותעבירו נגד כיוון השעון עד שזה עוצר, אז משכו כדי להרים את מערכת הציקלון.



שטפו את אוסף הציקלון, הסנן ותא האבק עד שהם נקיים אחר השטיפה, תייבשו אותם באוויר למשך 24 שעות לפחות.



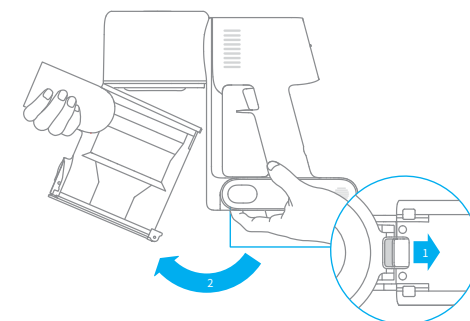
שימו לב:

- מומלץ לנקות את תא האבק פעם בחודש.
- מומלץ לנקות את המסנן הראשי לפחות פעם אחת בכל 3 חודשים. ואת מנגנון הציקלון לפחות פעם ב-6 חודשים.

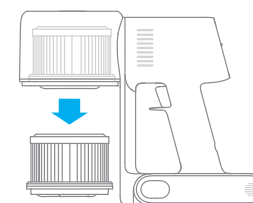
נקיון מסנן ה

מומלץ לנקות את מסנן ה לפחות פעם בארבעה עד שישה חודשים.

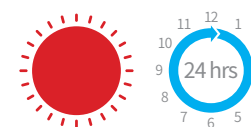
1. הסירו את תא האבק כפי שנראה בציור.



2. הסירו את סנן ה משואב האבק על ידי משיכתו מטה בכיוון שנראה בציור.



3. נקו את סנן ה עם מים נקיים. ודאו שאתם מסובבים את סנן ה 360° והסירו את כל האבק שנותר בסנן. טפחו על הסנן בעדינות מספר פעמים כדי להסיר את כל הלכלוך שנותר.

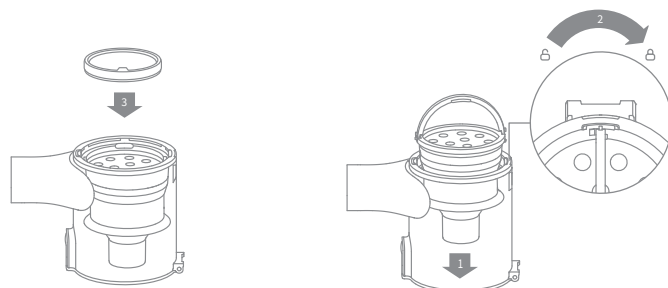


שימו לב: השתמשו רק במים נקיים כדי לשתוף את המסנן. אל תשתמשו בחומרי ניקוי. אל תנסו לנקות את ה עם מברשת או עם אצבע.

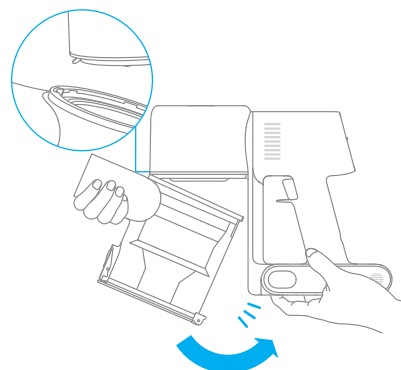
התקנת תא האבק, הסנן ומערכת הציקלון

1. הכנס את מערכת הציקלון באופן אנכי לתא האבק, וודאו שהידיית של אוסף הציקלון נכנסת במקום בצד השמאלי של תא האבק. הפנה את הידיית לכיוון השעון עד שהיא ננעלת, ואז הפכו את הידיית למטה.

2. מקמו את המסנן על הצד הקדמי עם הפנים למעלה לתוך מערכת הציקלון



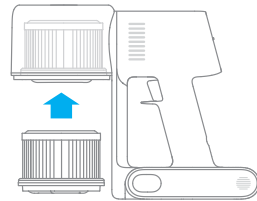
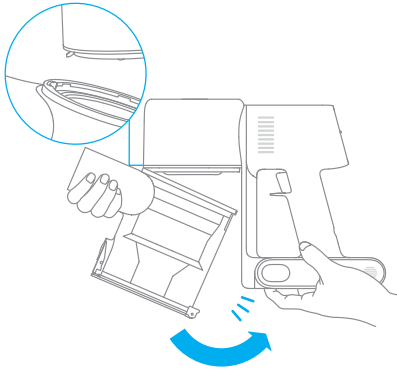
3. הטו בעדינות את תא האבק למקומו בצורה ישירה עם האטם של שואב האבק. לחצו בעדינות על תא האבק בכיוון החץ עד שהוא נכנס למקומו (בהגעתו תישמע "קליק").



## התקנת סנן ה

2. התקינו מחדש את תא האבק.

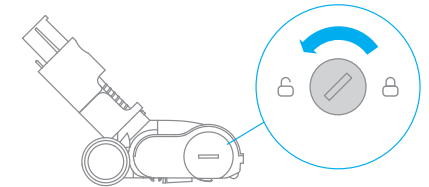
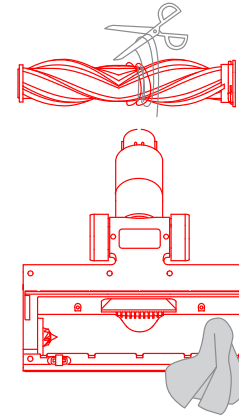
1. הכניסו את סנן ה לתוך שואב האבק ודחפו אותו למטה בעדינות, לפי הדוגמה.



## נקיון ה"מברשת הרב שימושית"

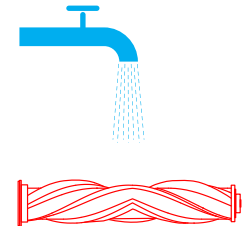
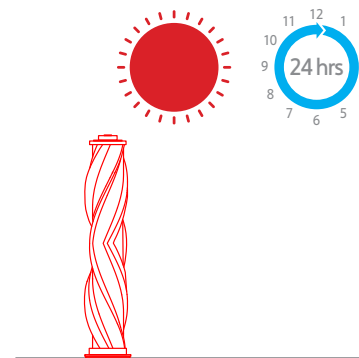
על פי התרשים סובבו את כפתור הנעילה כנגד כיוון השעון עד לנקודת העצירה, הוציאו את מברשת הגלגלי מתוך מברשת הרצפות.

2. השתמשו במספריים כדי לחתוך שערות וסיבים שנתקעו על ראש המברשת. נגבו את האבק מהשקעים ומהכיסוי השקוף בעזרת מטלית יבשה או נייר סופג.



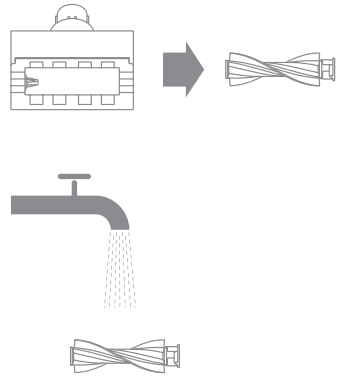
4. העמידו את ראש המברשת בצורה אנכית באזור מאוורר היטב למשך 24 שעות לכל הפחות עד שהוא יבש לחלוטין.

3. כאשר ראש המברשת מלוכלך יחסית, נקו אותו במים זורמים עד שהוא נקי.

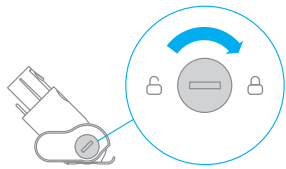


## ניקיון המיני מברשת החשמלית

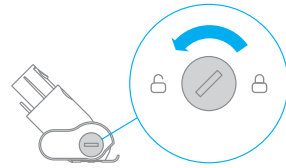
2. לאחר שחרור נעילת ראש המברשת, הוציאו אותו ממני המברשת החשמלית, לאחר מכן שטפו ונקו את ראש המברשת.



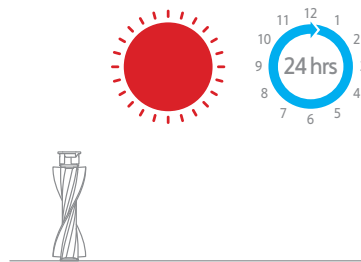
4. ברגע מברשת הרולר יבש, הרכיבו אותו חזרה למקומו בהתאם לשלבי הפירוק בסדר הפוך.



1. השתמשו במטבע בהתאם לאיור לסיבוב הנעילה כנגד כיוון השעון עד שתשמעו צליל הקליקה.



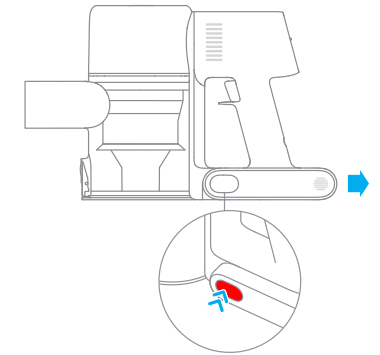
3. העמידו את ראש המברשת בצורה אנכית באזור מאוורר היטב למשך 24 שעות לכל הפחות עד שהוא יבש לחלוטין.



## חבילת הסוללה

יון, שניתנת להסרה, בעל מספר מוגבל של מחזורי טעינה. לאחר שימוש ממושך, ייתכן שמארז הסוללות כבר לא יחזיק בטעינה. אם זה קורה, המשמעות היא שחבילת הסוללה הגיעה לסוף מחזור החיים שלה ויש להחליפה.

1. לחץ כלפי מטה על לחצן השחרור של חבילת הסוללות והחליק אותה, כפי שמתואר בתרשים, להסרתה.  
2. התקן את הסוללה החדש.



במידה ושואב האבק אינו פועל בצורה תקינה, אנא עיינו בטבלת איתור התקלות ופתרון הבעיות שלהלן.

שגיאות תכופות	סיבות אפשריות	פתרונות
	שואב האבק הינו ללא סוללה או מתח עבודה נמוך.	טענו את שואב האבק לחלוטין, ואז המשיכי להשתמש בו.
שואב האבק לא עובד	מצב הגנת חימום יתר מופעל על ידי חסימה.	המתינו עד שהשואב יתקרר ואז הפעילו אותו מחדש.
	פתיחת יניקה או מעבר דרכי מעבר האוויר חסומות.	נקו חסימות מפתחי יניקה או דרכי מעבר האוויר.
כוח יניקה חלש	תא האבק מלא ו/או מכלול מסנני סתום.	רוקנו את תא האבק ונקו את מכלול מסנן.
	האביזר סתום.	נקה חסימות באביזר.
המנוע משמיע רעש מוזר	כניסת היניקה הראשית או מוט ההארכה חסומים.	נקו את כל החסימות בפתח היניקה הראשי או במוט הארכה.
הנורת חייווי הראשונה לאחר הפעלת השואב	הסוללה פגומה.	אנא צור קשר עם מוקד שירות הלקוחות לצורך תחזוקה.
נורת החייווי הראשונה באדום בזמן טעינה.	מתאם החשמל אינו תואם.	השתמשו רק במתאם הכוח המקורי כדי לטעון את שואב האבק.

שואב אבק			
דגם המוצר	VTN1	מתח טעינה	30 וולט ===
כוח חשמל מדורג	400 וואט	דרגת מתח	25.2 וולט ===
זמן טעינה	משוער 3.5 שעות		
מברשת מיני חשמלית			
דגם	DM002		
כוח חשמל מדורג	20 וואט	דרגת מתח	25.2 וולט ===
מברשת רב שימושית			
דגם	AVB9		
כוח חשמל מדורג	40 וואט	דרגת מתח	25.2 וולט ===
מתאם מתח			
דגם	YLS0251B-E300080	יעילות פעילה ממוצעת	88.53%
סיווג כניסת מתח	100-240 וולט~ 60/50 הרץ 0.8 אמפר	יעילות בעומס נמוך (10%)	78.66%
סיווג יציאת מתח	30 וולט === 0.8 אמפר	צריכת חשמל ללא טעינה	0.09 וואט
מתאם מתח			
דגם	YLS0241A-A300080	יעילות פעילה ממוצעת	86.98%
סיווג כניסת מתח	100-240 וולט~ 60/50 הרץ 0.8 אמפר	יעילות בעומס נמוך (10%)	80.67%
סיווג יציאת מתח	30 וולט === 0.8 אמפר	צריכת חשמל ללא טעינה	0.08 וואט
חבילת סוללת ליטיום הניתנת לטעינה			
דגם	P2010-7S1P-BW P2010-7S1P-BWB	דרגת מתח	25.2 וולט ===
קיבולת מדורגת	2400 mAh	אנרגיה	60.48 Wh
חבילת סוללת ליטיום הניתנת לטעינה			
דגם	P2010-7S1P-BWA	דרגת מתח	25.2 וולט ===
קיבולת מדורגת	2350 mAh	אנרגיה	59.22 Wh

## שאלות שנשאלות לעיתים תכופות

שגיאות תכופות	סיבות אפשריות	פתרונות
חיווי הסוללה לא נדלק בזמן טעינה	המתאם אינו מחובר לשואב האבק.	ודאו שמתאם החשמל מחובר כראוי.
	הסוללה טעונה במלואה ועברה למצב שינה.	ניתן להשתמש באופן רגיל.
	אם הבעיה נמשכת לאחר שלילת שתי האפשרויות לעיל.	אנא צרו קשר עם מוקד שירות הלקוחות לצורך תחזוקה.
נטען לאט	טמפרטורת הסוללה נמוכה מדי או גבוהה מדי.	המתינו עד שהטמפרטורה של הסוללה תחזור למצב רגיל, אז המשיכו להשתמש.

מארז סוללת ליתיום-יון מכיל חומרים מסוכנים לסביבה. לפני שתיפטרו משואב האבק, ראשית הסירו את מארז הסוללה, ומחזרו אותו בהתאם לחוקים ולתקנות המקומיות של המדינה או האזור שבו הוא משמש.