

**Reticle
Catalogue**



Thermal Imaging Riflescopes

TRAIL 2 LRF

Non-scalable reticles

The values of the non-scalable reticles are correct in the following cases:

- when the magnification of the scope is set to minimum
- when "picture in picture" is activated

D50i

C50i

X54i

H50i

X50i

T54i

M58i

Scalable reticles

Reticle parameters apply to all magnifications

X51Fi-300

M56Fi (Mil-Dot)

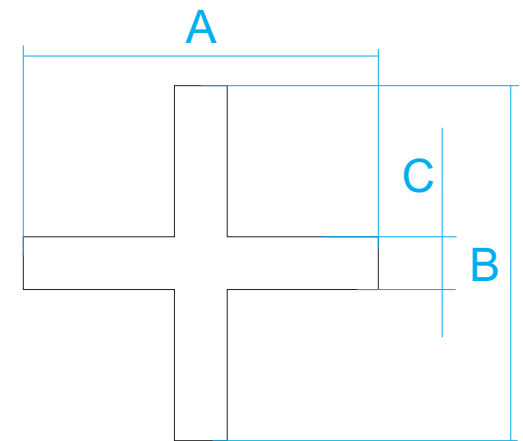
M57Fi (Mil-Dot)



Thermal Imaging Riflescopes
TRAIL 2 LRF

D50i

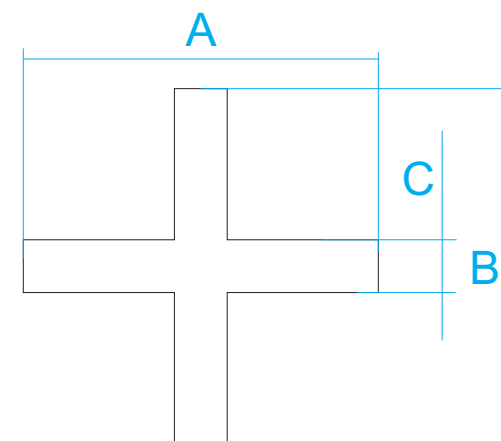
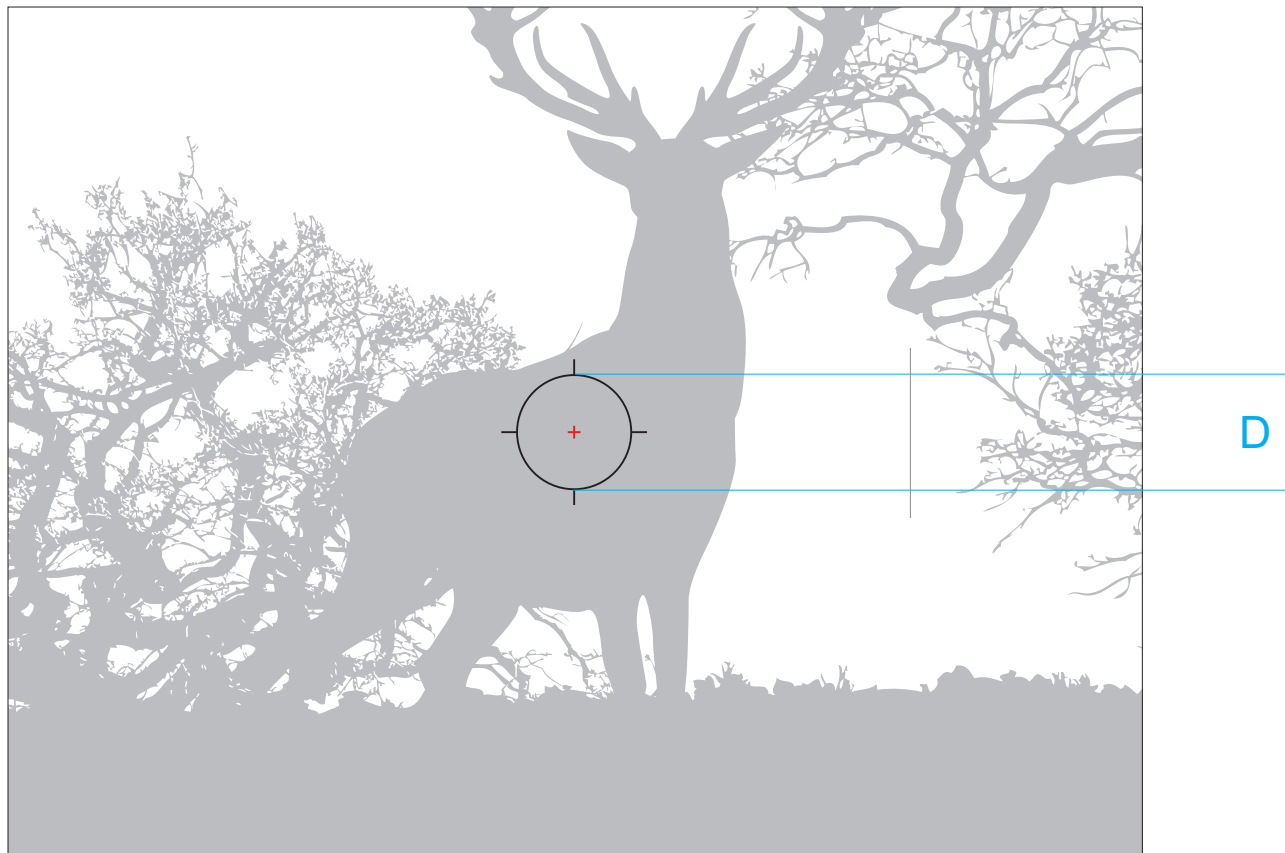
Reticle parameters (for minimum magnification)



Model	MOA		cm @ 100 m	
	XQ38	XQ50	XQ38	XQ50
Section A	4.0	3.1	11.7	8.9
Section B	4.0	3.1	11.7	8.9
Section C	0.6	0.4	1.7	1.3

C50i

Reticle parameters (for minimum magnification)

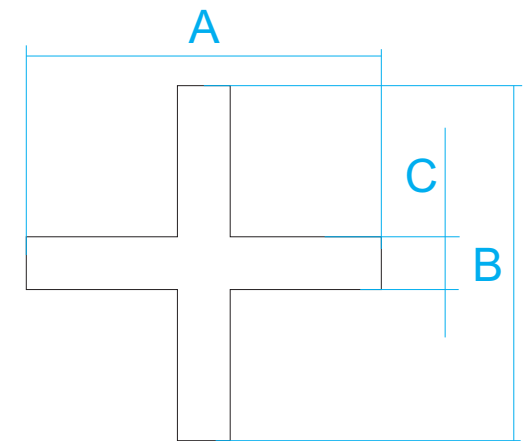
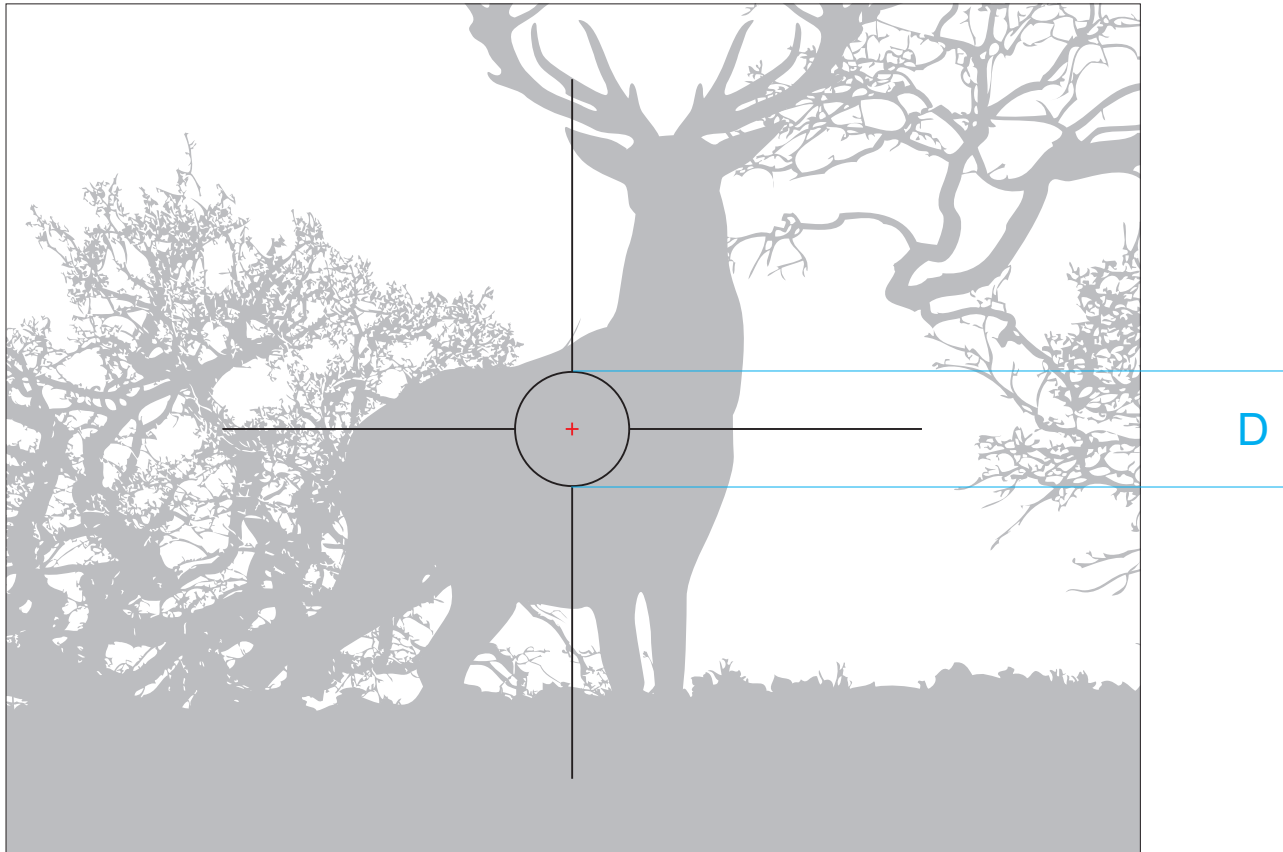


Thermal Imaging Riflescopes
TRAIL 2 LRF

Model	MOA		cm @ 100 m	
	XQ38	XQ50	XQ38	XQ50
Section A	4.0	3.1	11.7	8.9
Section B	4.0	3.1	11.7	8.9
Section C	0.6	0.4	1.7	1.3
Section D	34.4	34.4	100	100

X54i

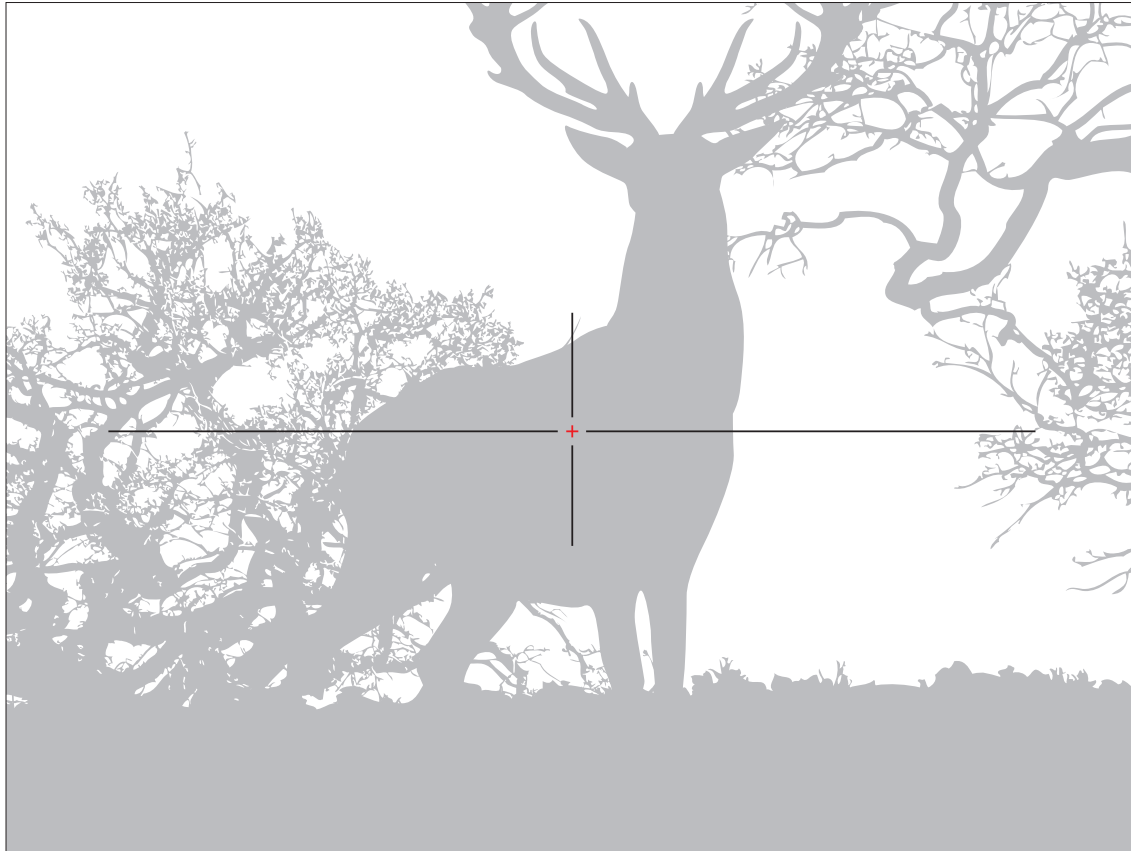
Reticle parameters (for minimum magnification)



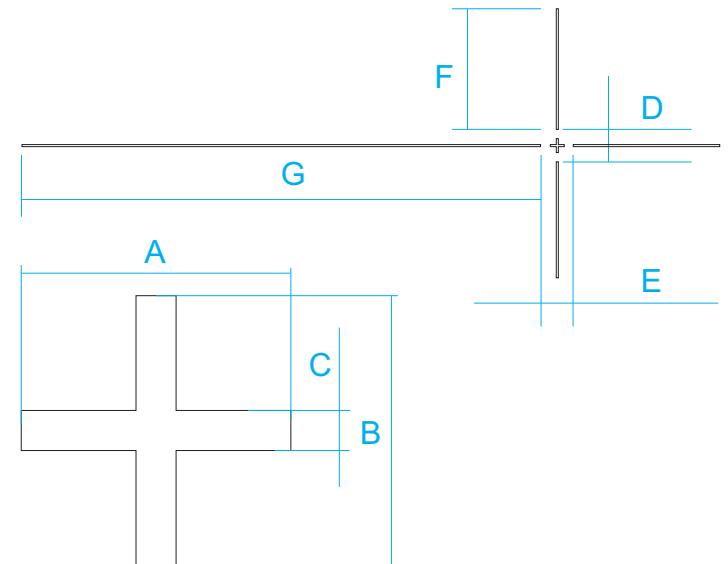
Thermal Imaging Riflescopes
TRAIL 2 LRF

Model	MOA		cm @ 100 m	
	XQ38	XQ50	XQ38	XQ50
Section A	4.0	3.1	11.7	8.9
Section B	4.0	3.1	11.7	8.9
Section C	0.6	0.4	1.7	1.3
Section D	34.4	34.4	100	100

H50i



Reticle parameters (for minimum magnification)



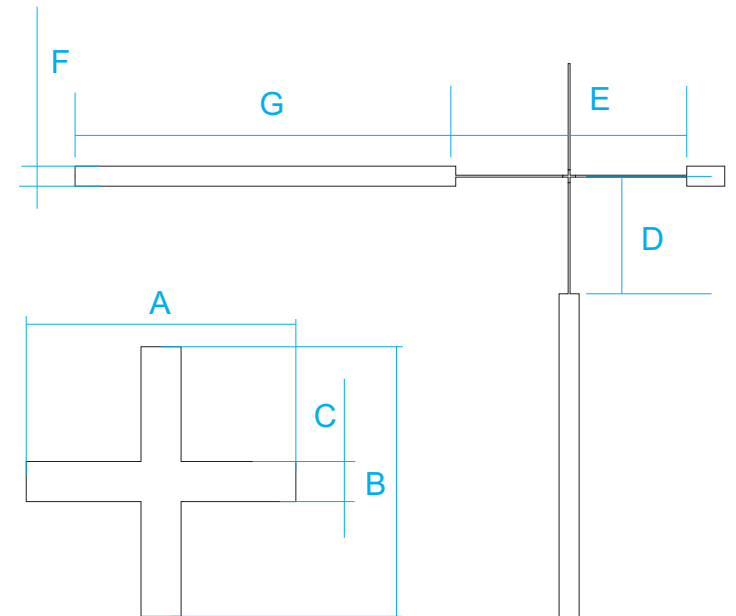
Thermal Imaging Riflescopes
TRAIL 2 LRF

Model	MOA		cm @ 100 m	
	XQ38	XQ50	XQ38	XQ50
Section A	4.0	3.1	11.7	8.9
Section B	4.0	3.1	11.7	8.9
Section C	0.6	0.4	1.7	1.3
Section D	10	10	29	29
Section E	10	10	29	29
Section F	53	39.1	154	114
Section G	176.4	132.9	513	387

X50i



Reticle parameters (for minimum magnification)

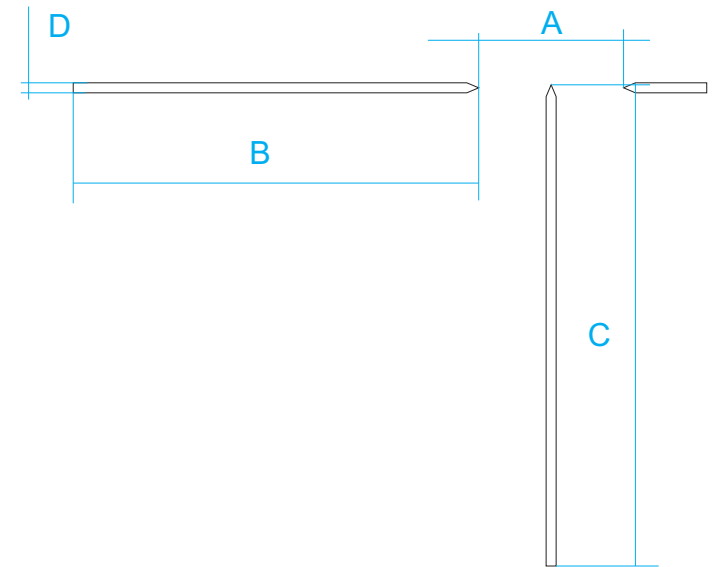


Thermal Imaging Riflescopes
TRAIL 2 LRF

Model	MOA		cm @ 100 m	
	XQ38	XQ50	XQ38	XQ50
Section A	4.0	3.1	11.7	8.9
Section B	4.0	3.1	11.7	8.9
Section C	0.6	0.4	1.7	1.3
Section D	34.4	34.4	100	100
Section E	68.8	68.8	200	200
Section F	1.8	1.2	5.1	3.5
Section G	164	121	478	351

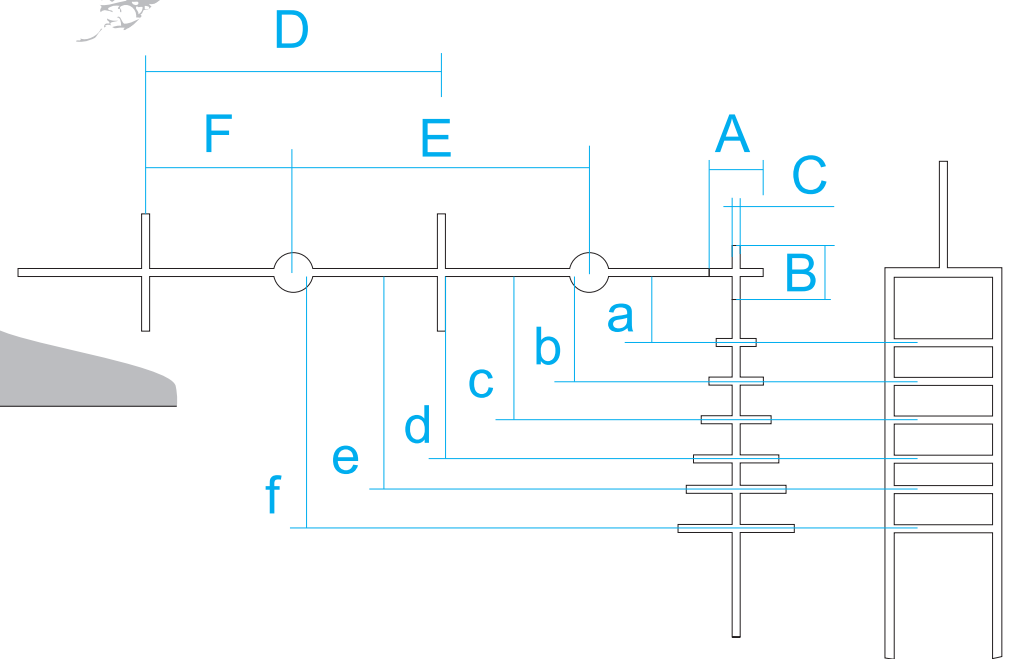
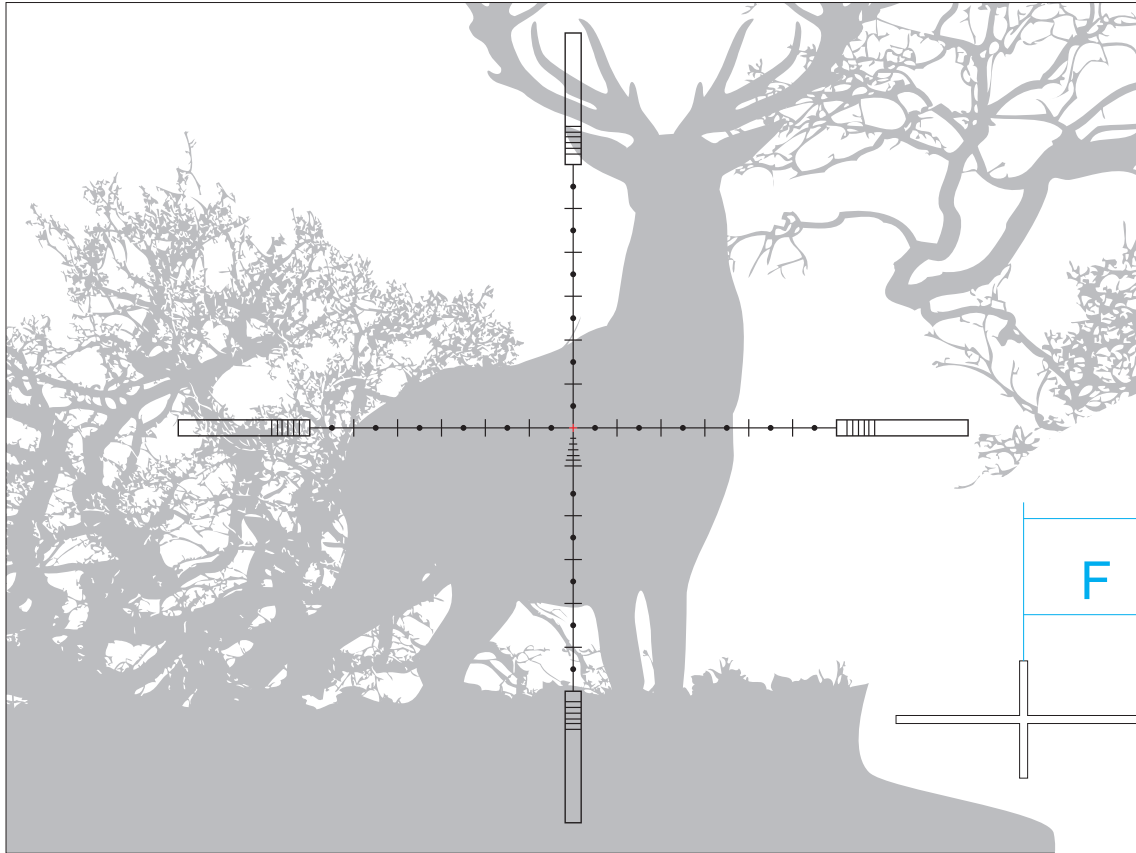
T54i

Reticle parameters (for minimum magnification)



Thermal Imaging Riflescopes
TRAIL 2 LRF

Model	MOA		cm @ 100 m	
	XQ38	XQ50	XQ38	XQ50
Section A	34.4	34.4	100	100
Section B	164	121	478	351
Section C	183	139	534	406
Section D	4.0	3.1	11.7	8.9



Thermal Imaging Riflescopes
TRAIL 2 LRF

TRAIL 2 LRF XQ38

	MOA	cm @ 100 m
Section A	4	11.8 On minimal magnification
Section B	4	11.8 On minimal magnification
Section C	0.6	1.7 On minimal magnification
Section D	3.5	10 (1 mil) On 10x magnification
Section E	3.5	10 (1 mil) On 10x magnification
Section F	3.5	10 (1 mil) On 5x magnification

Section a	1 mil (10 cm @ 100 m) on 2.5x magnification	
Section b	1 mil (10 cm @ 100 m) on 4x magnification	
Section c	1 mil (10 cm @ 100 m) on 5x magnification	
Section d	1 mil (10 cm @ 100 m) on 7.5x magnification	
Section e	1 mil (10 cm @ 100 m) on 10x magnification	

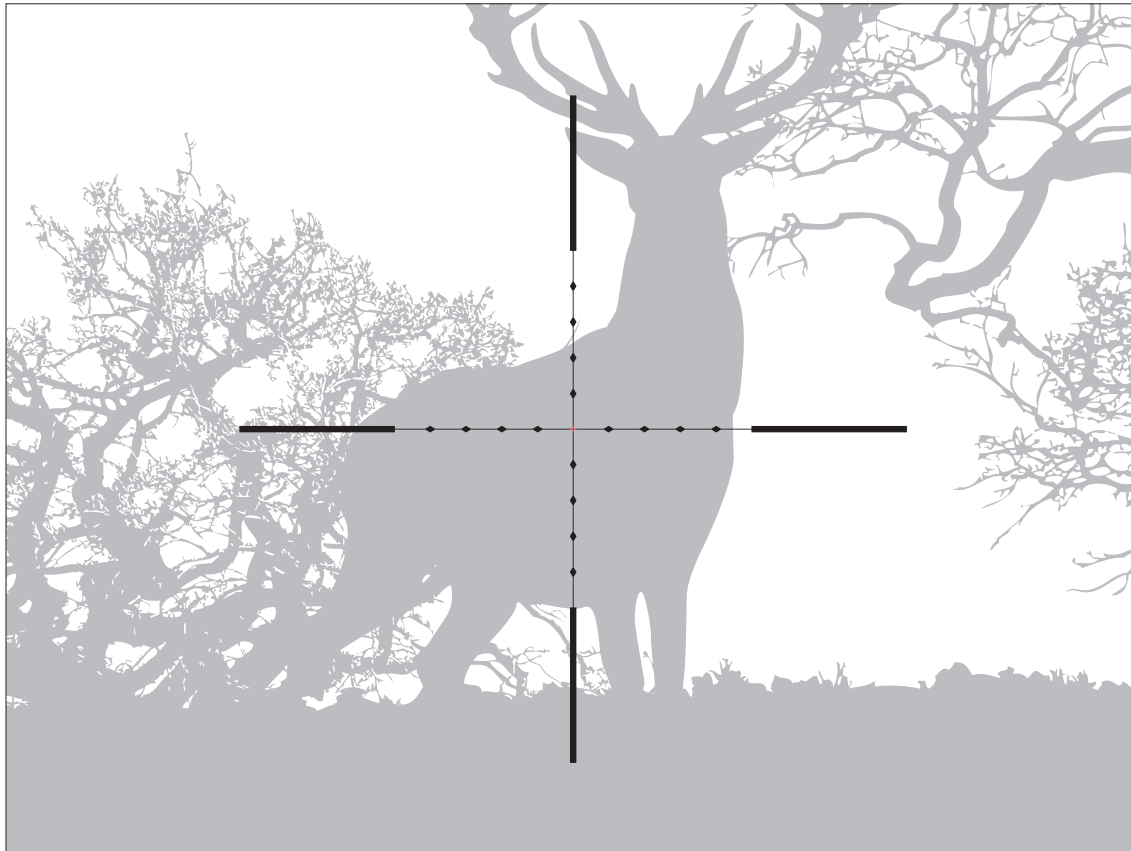
TRAIL 2 LRF XQ50

	MOA	cm @ 100 m
Section A	3.1	8.9 On minimal magnification
Section B	3.1	8.9 On minimal magnification
Section C	0.4	1.3 On minimal magnification
Section D	3.5	10 (1 mil) On 14x magnification
Section E	3.5	10 (1 mil) On 14x magnification
Section F	3.5	10 (1 mil) On 7x magnification

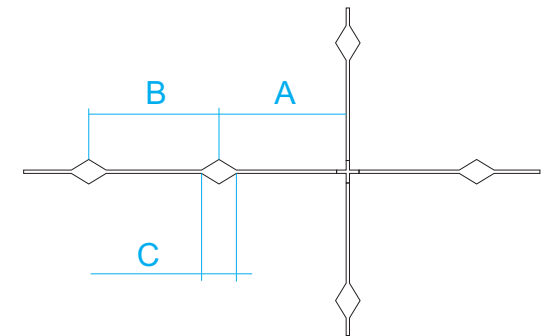
Section a	1 mil (10 cm @ 100 m) on 3.5x magnification	
Section b	1 mil (10 cm @ 100 m) on 5x magnification	
Section c	1 mil (10 cm @ 100 m) on 7x magnification	
Section d	1 mil (10 cm @ 100 m) on 10x magnification	
Section e	1 mil (10 cm @ 100 m) on 14x magnification	

SCALABLE

M56Fi



Reticle parameters (apply to all magnifications)

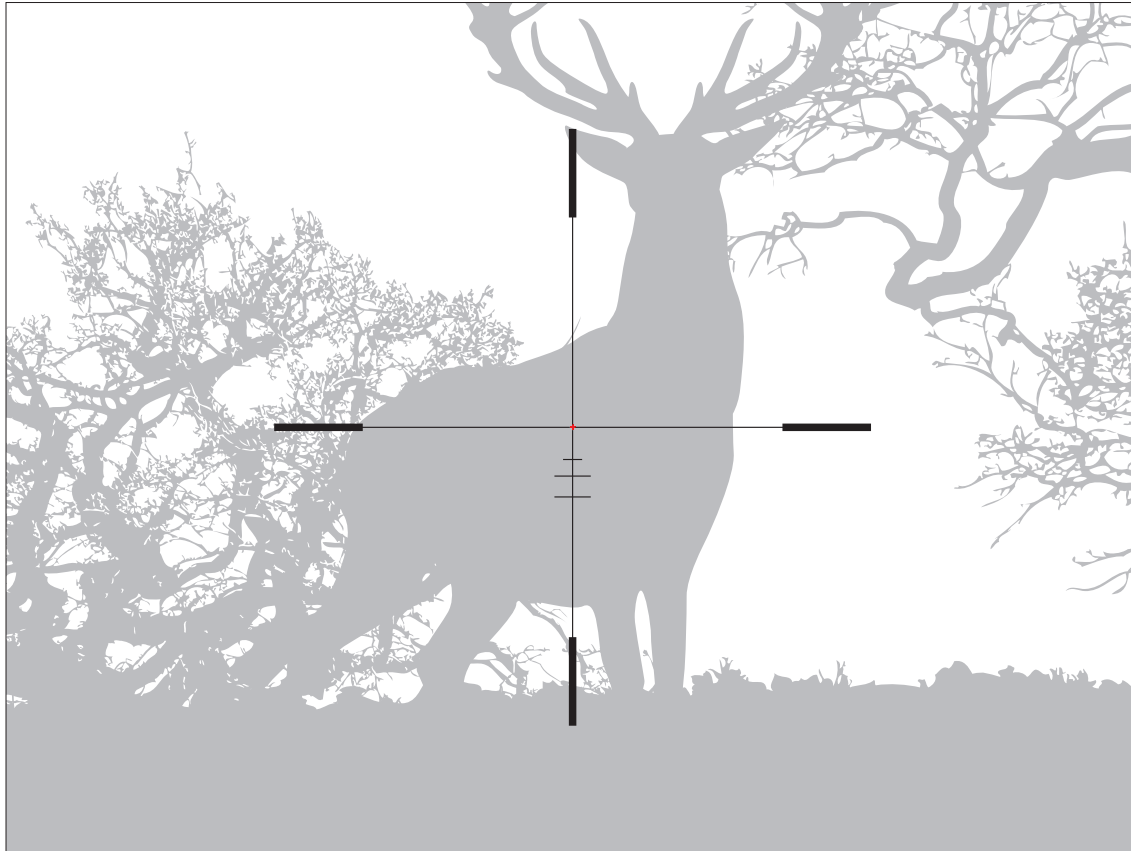


	MOA	cm @ 100 m
Section A	3.5	10 (1 mil)
Section B	3.5	10 (1 mil)
Section C	0.86	2.5 (0.25 mil)

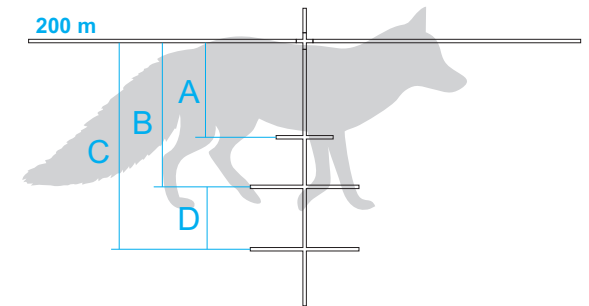
Thermal Imaging Riflescopes
TRAIL 2 LRF

SCALABLE

X51Fi-300



Reticle parameters (apply to all magnifications)

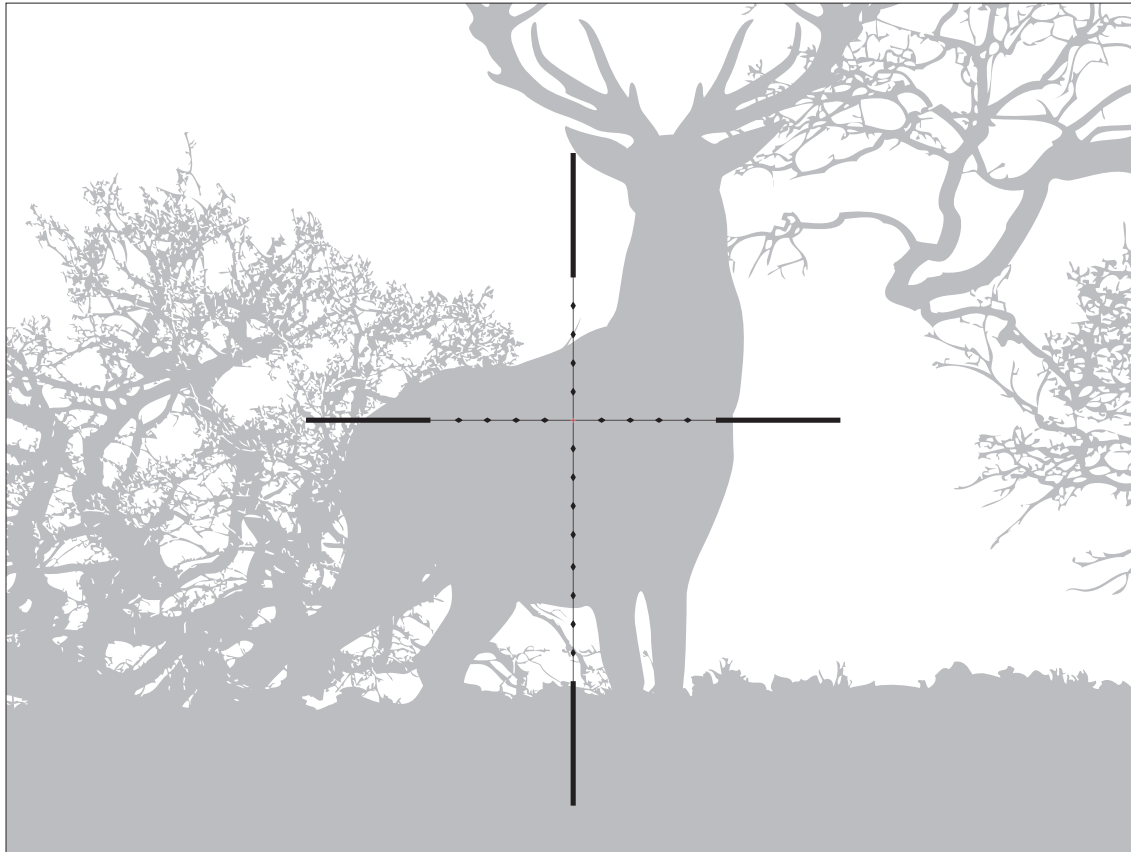


	200 m	300 m
Section A	15 cm (fox body)	23 cm (roe deer body)
Section B	23 cm (roe deer body)	35 cm (wild boar body)
Section C	35 cm (wild boar body)	50 cm (deer body)
Section D	—	15 cm (fox body)

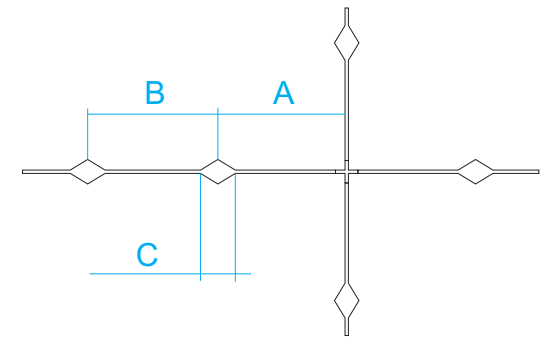
Thermal Imaging Riflescopes
TRAIL 2 LRF

SCALABLE

M57Fi



Reticle parameters (apply to all magnifications)



	MOA	cm @ 100 m
Section A	3.5	10 (1 mil)
Section B	3.5	10 (1 mil)
Section C	0.86	2.5 (0.25 mil)

Thermal Imaging Riflescopes
TRAIL 2 LRF



www.pulsar-vision.com

[@PulsarVision](https://www.facebook.com/PulsarVision)

[@pulsar.vision](https://www.instagram.com/pulsar.vision)

[Pulsar Vision](https://www.youtube.com/PulsarVision)