

morsø



By appointment to The Royal Danish Court

**morsø**

# Installation and Operating Instructions

## Morsø 6100 B

For use in North America



Save these instructions

MORSØ JERNSTØBERI A/S · DK-7900 NYKØBING MORS  
E-Mail: [info@morsoe.com](mailto:info@morsoe.com) · Website: [www.morsoe.com](http://www.morsoe.com)

## Enjoy your new Morsø stove!

**We congratulate you on your choice of a Morsø stove. Morsø has been producing some of the world's best stoves since 1853. If you follow this installation- and operating instruction carefully, we can assure you many years of warmth and pleasure.**

### Contents

<b>1.0</b>	<b>Installation of your Morsø stove</b>	<b>Page no.</b>
1.1	Checking loose parts on the stove	4
1.2	The chimney / flue system	5
1.3	Flue connection	6
1.4	Connecting to existing chimney	6
1.5	Positioning the stove	8
1.6	Mobile home installation	10
<b>2.0</b>	<b>Operation</b>	<b>11</b>
2.1	Before you start firing	11
2.2	Lighting & loading intervals	12
<b>3.0</b>	<b>Maintenance</b>	<b>15</b>
3.1	Exterior maintenance	15
3.2	Internal maintenance	15
3.3	Cleaning the stove & the flue	17
3.4	Leaving the stove for extended periods	20
3.5	Parts diagram	21
3.6	Parts list	22

Read this entire manual before you install and use your new room heater. If this room heater is not properly installed, a house fire may result. To reduce the risk of fire, follow the installation instructions. Failure to follow instructions may result in property damage, bodily injury, or even death.

Contact local building officials about restrictions and installation inspection requirements in your area.

Save these instructions

### Optional Accessories

A wide range of accessories (such as handling gloves, fireside tools, glass cleaner and heat-proof paint) are available for use with your Morsø stove. They help with day-to-day running and maintenance. Contact your Morsø dealer for more information.

The Morsø 6100 B series has been certified by PFS TECO.. The test standards are ANSI/UL-1482-2011 (R2015) for the United States and ULC S627-00 for Canada.



**The stove is listed for burning wood only. Do not burn other fuels.**

U.S. ENVIRONMENTAL PROTECTION AGENCY. Certified to comply with 2020 particulate emission standards using cord wood.

Average particulate emission using ASTM E3053-17 cord wood test method is 0.67 g/h. Under specific test conditions this heater has been shown to deliver heat at rates ranging from 15,043 to 38,107 Btu/hr.

This appliance was determined to have an average higher heating efficiency value of 77% when tested in accordance with CSA B415.1

This wood heater needs periodic inspection and repair for proper operation. It is against federal regulations to operate this wood heater in a manner inconsistent with operating instructions in this manual.

	<p>We suggest that our woodburning hearth products be installed and serviced by professionals who are certified in the U.S. by the National Fireplace Institute® (NFI) as NFI Woodburning Specialists or who are certified in Canada by Wood Energy Technical Training (WETT).</p>
--	--

### Cast iron

Cast iron is a live material. There are no two ovens that are identical. This is partly due to the tolerances of the casting process, partly because the ovens are a work of craftsmanship. Minor unevennesses may also occur in the cast iron surface.

## 1.0 Installation of your Morsø stove

Installation of woodburning stoves must be safe and legal.

The installation must conform standard CAN/CSA-B365, Installation Code For Solid-Fuel-Burning Appliances and Equipment

Make-shift compromises during installation can have consequences, the Installation of the woodburning stoves must be safe and legal.

If your Morsø stove is not installed correctly, it may cause a house fire. To reduce the risk of fire, the installation instructions must be followed carefully. Contact the local building officials about restrictions and installation inspection in your area

**Before you start installing your stove, make sure that:**

- The stove and chimney connection are placed far enough from combustible materials to meet all clearance requirements.
- The floor protection must be adequate and must be made correctly according to the requirements.

All necessary approvals are needed from the local building officials.

The data plate, which is located on the back of the stove, provides information regarding safety testing information, name of certified testing laboratory, and installation requirements.

Installation requirements vary in different districts, and the local building officials have the final authorization to approve your installation. You should discuss the installation with them before beginning. Please ask your dealer for further information.

**Do not connect to any air distribution duct or system.**

**Important: If the installation instructions are not followed carefully, it may cause dangerous situations like chimney - and house fires. Follow the instructions carefully and do not deviate from them as it may cause injuries to people or property.**

### 1.1 Checking loose parts in the stove

After unpacking, check that the fire bricks are firmly in position and have not shifted in transit. Check also that the air control works freely.

Before starting the initial fire, make sure that the baffles is placed correctly.

#### **Standard Accessories**

A Morsø glove and ceramic flue connection gasket are standard accessories that usually can be found in the ashpan or firebox area.

## 1.2 The chimney / flue system

Note that the flue system must be independently secured and must not rely on the stove for support.

**The stove must not be connected to a chimney flue serving any other appliance. (Several flues may run up a single chimney stack; use one flueway per appliance).**

**Use a code-approved masonry chimney with a flue liner or listed type HT factory-built chimney**

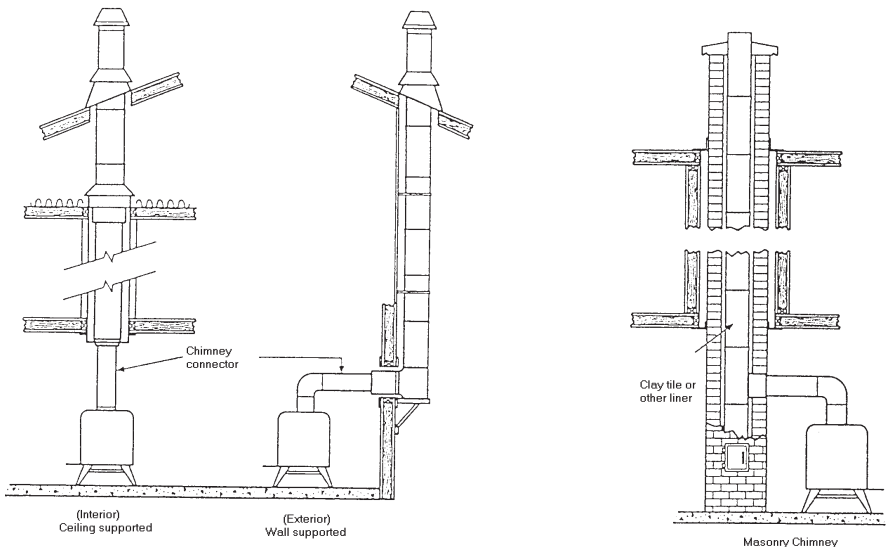
**High Temperature (H.T.) Chimney Standard UL-103-1985 (2100° F.) or a code-approved masonry chimney with flue liner for the USA, and High Temperature (650°C) Standard ULC S-629 for Canada.**

The internal dimensions of the chimney connector and chimney must not be less than 6 inches diameter (or equivalent cross section), and should not be significantly larger than this. Too large a section will tend to allow the flue gases to cool excessively, causing sluggishness or unpredictability in the stove's performance.

We recommend the length of the chimney system should be at least 16 feet (not required) above the stove in normal domestic situations, measured from the flue collar to the top of the chimney.

Local conditions like for example - roof constructions, large trees nearby and high altitude, may influence the chimney draft and height. Therefore, contact the local professional chimney sweep or your Morsø dealer.

### Typical Factory-Built or Masonry Chimney Installations



### 1.3 Flue Connection

The stove is supplied from the factory with a round blanking plate blocking off the top and rear flue exit (behind the rear shield plate). A flue collar are placed in the firebox area.

Use a 24 MSG black or blue chimney connector or listed double wall chimney connector. Refer to local codes and the chimney manufacturer's instructions for precautions required for passing a chimney through a combustible wall or ceiling. Remember to secure the chimney connector with a minimum of three screws to the product and to each adjoining section.

The collar can be fitted to the rear outlet. Simply knock out the round panel on the rear heat shield plate to reveal the cast iron plate. Untwist the blanking plate and the flue collar and swap their positions. Re-secure by pushing down and tighten the enclosed screws. Position the stove and connect to the flue system.

**Wear gloves and protective eyewear when drilling, cutting or joining sections of chimney connector**

### 1.4 Connection to the existing chimney

A chimney connector is the double-wall or single-wall pipe that connects the stove to the chimney. The chimney itself is the masonry or prefabricated structure that encloses the flue. Chimney connectors are used only to connect the stove to the chimney.

Double-wall connectors must be tested and listed for use with solid-fuel burning appliances. Single-wall connectors should be made of 24 gauge or heavier gauge steel. Do not use galvanized connector; it cannot withstand the high-temperatures that smoke and exhaust gases can reach, and may release toxic fumes under high heat. The connector must be 6 inches (150mm) in diameter.

**If possible, do not pass the chimney connector through a combustible wall or ceiling. If passage through a combustible wall is unavoidable, refer to the sections on Wall Pass- Throughs. Do not pass the connector through an attic, a closet or similar concealed space when installing the chimney connectors.**

It is important to keep the flue gases moving smoothly in the right direction. Do not vent into a large void at this location; rather form one continuous section all the way up. Use mild bends (e.g. 45° vs. 90°) rather than sharp angles where a change of direction is required. All parts of the venting must be accessible for cleaning purposes.

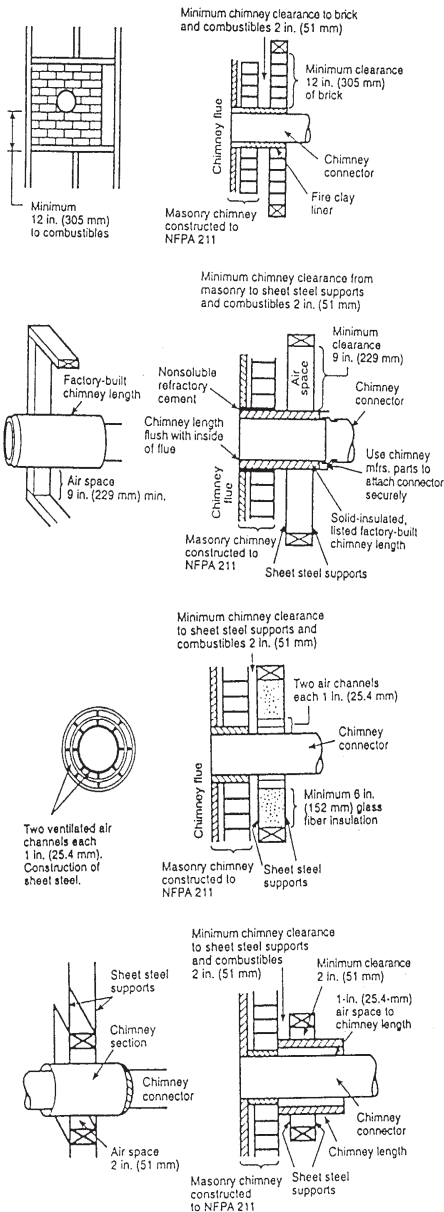
In horizontal runs of chimney, maintain a distance of 18 inches from the ceiling. Keep it as short and direct as possible, with no more than two 90 degree turns. Slope horizontal runs of connector upward 1/4 inch per foot (20 mm per metre) going from the stove toward the chimney. The recommended maximum length of a horizontal run is 3 feet (1 metre), and the total length should be no longer than 8 feet (2.5 metres).

Information on assembling and installing connectors is provided by the manufacturer's instructions exactly as you assemble the connector and attach it to the stove and chimney.

**Be sure the installed stove and chimney connector are correct distances from near by combustible materials. See the clearance paragraph page 8.**

Where passage through a wall or partition of combustible construction is desired, the installation shall conform to CAN/CSA-B365.

## Chimney Connector Systems and Clearances from Combustible Walls for Residential Heating Appliances



A Minimum 3.5-in thick brick masonry all framed into combustible wall with a minimum of 12-in brick separation from clay liner to combustibles. The fireclay liner shall run from outer surface of brick wall to, but not beyond, the inner surface of chimney flue liner and shall be firmly cemented in place.

B Solid-insulated, listed factory-built chimney length of the same inside diameter as the chimney connector and having 1-in. or more of insulation with a minimum 9-in. air space between the outer wall of the chimney length and combustibles.

C Sheet steel chimney connector, minimum 24 gauge in thickness, with a ventilated thimble, minimum 24 gauge in thickness, having two 1-in. air channels, separated from combustibles by a minimum of 6-in. of glass fiber insulation. Opening shall be covered, and thimble supported with a sheet steel support, minimum 24 gauge in thickness.

D Solid insulated, listed factory-built chimney length with an inside diameter 2-in. larger than the chimney connector and having 1-in. or more of insulation, serving as a pass-through for a single wall sheet steel chimney connector of minimum 24 gauge thickness, with a minimum 2-in. air space between the outer wall of chimney section and combustibles. Minimum length of chimney section shall be 12-in. chimney section spaced 1-in. away from connector using sheet steel support plates on both ends of chimney section. Opening shall be covered, and chimney section supported on both sides with sheet steel supports securely fastened to wall surfaces of minimum 24 gauge thickness. Fasteners used to secure chimney section shall not penetrate chimney flue liner.

## 1.5 Positioning the stove

### Distance to walls and lintel

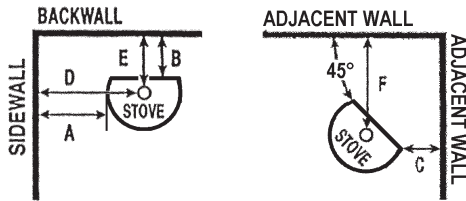
When the stove is positioned near combustible materials, observe all current local and national building regulations with regards to clearances. Whatever regulations apply to your area, do not in any case install the stove within 8 inches of combustible materials around the sides or 16 inches above the top of the stove (fireplace installations require greater clearances above the stove - see below in the clearance chart). These distances may need to be increased if the materials are sensitive to heat. Note also that wall paper and other decorative materials may become detached with the effects of heat and care should be taken to ensure that they do not fall towards the stove in such an event.

When the stove is positioned near non-combustible materials, a gap of 4 inches or more is recommended for cleaning purposes and to ensure that heat circulates around the stove and out into the room.

If using rear exit, the floor protection must extend beneath the chimney connector and 2-in beyond each side.

CLEARANCE REQUIREMENTS	STANDARD RESIDENTIAL INSTALLATION SINGLEWALL CONNECTOR	
	USA	CANADA
A. Sidewall to unit	10"	254 mm
B. Backwall to unit	3"	76 mm
C. Cornerwall to unit	5"	127 mm
D. Sidewall to connector	15.5"	394 mm
E. Backwall to connector	7.5"	190 mm
F. Cornerwall to connector	10"	254 mm
G. Unit to ceiling	54.5"	1384 mm
H. Floor to ceiling	84"	2134 mm

#### MINIMUM CLEARANCES TO COMBUSTIBLES:

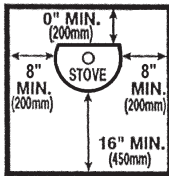


CLEARANCE REQUIREMENTS	STANDARD RESIDENTIAL INSTALLATION DOUBLEWALL CONNECTOR	
	USA	CANADA
A. Sidewall to unit	10"	254 mm
B. Backwall to unit	2"	51 mm
C. Cornerwall to unit	5"	127 mm
D. Sidewall to connector	15.5"	394 mm
E. Backwall to connector	6.5"	165 mm
F. Cornerwall to connector	10"	254 mm
G. Unit to ceiling	54.5"	1384 mm
H. Floor to ceiling	84"	2134 mm



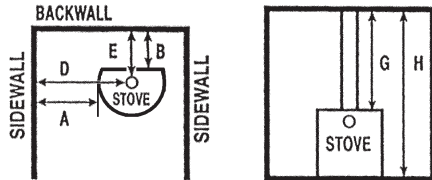
CLEARANCE REQUIREMENTS	STANDARD RESIDENTIAL INSTALLATION REAR VENT OUT BACK WALL SINGLEWALL CONNECTOR	
	USA	CANADA
A. Sidewall to unit	10"	254 mm
B. Backwall to unit	6.5"	165 mm
C. Cornerwall to unit	-	-
D. Sidewall to connector	15.5"	394 mm
E. Backwall to connector	-	-
F. Cornerwall to connector	-	-
G. Unit to ceiling	-	-
H. Floor to ceiling	-	-

**NON-COMBUSTIBLE FLOOR PROTECTOR**



FLOOR PROTECTOR MUST BE NON-COMBUSTIBLE MATERIAL. IT MUST EXTEND BENEATH HEATER, AND TO THE FRONTSIDES/REAR AS INDICATED.

**ALCOVE INSTALLATION**



\*Maximum alcove depth must be no more than 32" (813mm)

CLEARANCE REQUIREMENTS	ALCOVE INSTALLATION DOUBLEWALL CONNECTOR	
	USA	CANADA
A. Sidewall to unit	12" (305 mm)	
B. Backwall to unit	3" (76 mm)	
C. Cornerwall to unit	-	
D. Sidewall to connector	17" (432 mm)	
E. Backwall to connector	7.5" (190 mm)	
F. Cornerwall to connector	-	
G. Unit to ceiling	24.5" (622 mm)	
H. Floor to ceiling	54" (1372 mm)	

FLOOR PROTECTION REQUIREMENTS	NON-COMBUSTIBLE MATERIALS BENEATH STOVE	
	USA	CANADA
Extending distance, back	-	200 mm
Extending distance, right side	8"	200 mm
Extending distance, left side	8"	200 mm
Extending distance, front	16"	450 mm

**Distance to furniture**

The recommended minimum distance from stove to furniture is 30 inches. Note that some furniture is more easily affected by heat and may need to be moved to a greater distance. This is your responsibility.

In addition other combustible materials, away from the stove. In general, a distance of 30 inches must be maintained between the stove and moveable combustible item such as drying clothes, newspapers, firewood etc.

## 1.6 Mobile Home Installation

### (Mobile home installation is only applicable for USA)

The Morsø 6100 can be installed in a mobile home if equipped with an outside combustion air kit, a terminal cap with a spark arrestor, and if it meets the following installation requirements:

- The stove must be secured to the mobile home structure by bolting through the hearth pad and into flooring.
- The stove must be installed with a listed Type HT chimney connector, HT Chimney, and terminal cap with spark arrestor. Never use a single wall connector (stovepipe) in a mobile home installation.
- Floor protection requirements in section 1.5 must be followed precisely.
- In Canada, this appliance must be connected to a 6" (152 mm) factory-built chimney conforming to CAN/ULC-629M, STANDARD FOR FACTORY BUILT CHIMNEYS. Floor protection as referenced in section 1.5 must be followed, as well as use of Canadian Floor Protector.
- Follow the chimney and chimney connector manufacturer's instructions when installing the flue system for use in a mobile home.
- Outside air kit should be installed according to installation guide in the kit.
- Intake air piping can be installed through the floor into a vented crawl space or through the wall of the residence to obtain outside air.
- Install in accordance with 24 CFR, Part 3280 (HUD).
- NOTE: Top sections of chimney must be removable to allow maximum clearance of 13.5' from ground level for transportation purposes.

#### WARNING:

**NEVER DRAW COMBUSTION AIR FROM A WALL, FLOOR OR CEILING CAVITY OR FROM ANY ENCLOSED SPACE SUCH AS AN ATTIC OR GARAGE.**

**DO NOT INSTALL IN A SLEEPING ROOM.**

#### CAUTION:

**THE STRUCTURAL INTEGRITY OF THE MOBILE HOME FLOOR, WALL, AND CEILING/ROOF MUST BE MAINTAINED (I.E., DO NOT CUT THROUGH FLOOR JOIST, WALL STUD, CEILING TRUSS, ETC.)**

**DO NOT USE A GRATE TO ELEVATE FIRE - BUILD FIRE DIRECTLY ON HEARTH.**

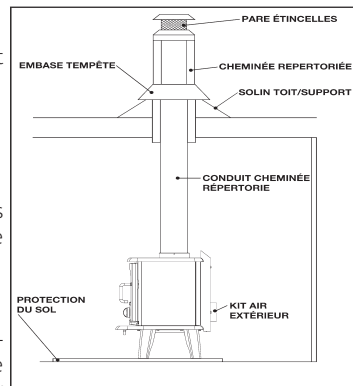
#### Note:

##### Acid Protection

If acid-washing the masonry around the stove, protect the stove surface with an acid-proof cover.

##### Fresh Air Inlet

Unless there is deemed to be sufficient ambient leakage of air into the room via doorways, windows and the like, a dedicated fresh air inlet will be needed. This inlet should have 2 square inches (1250 square mm) of free air space. This is particularly important where the room is well sealed, or where an extractor hood or ventilation system disturbs the natural air pressure. Such an inlet should not be on a wall that is usually subject to negative pressure from normal wind pattern. Avoid placing the inlet directly across the room from the stove, thus causing a cold air draft.



## 2.0 Operation

### 2.1 Before you start firing

For use with solid wood fuel only. Do not overfire, if heater or chimney connector glows you are overfiring. Inspect and clean chimney frequently. Under certain conditions of use creosote buildup may occur rapidly. Because of risk of smoke and flame spillage, operate only with door fully closed.

#### CAUTION:

Hot while in operation. Keep children, clothing and furniture away. Contact may cause skin burns.

**DO NOT USE CHEMICALS OR FLUIDS TO START THE FIRE**

**DO NOT BURN GARBAGE OR FLAMMABLE FLUIDS**

**DO NOT USE A GRATE, ANDIRONS, OR OTHER WAYS OF ELEVATING THE FIRE - BUILD FIRE DIRECTLY ON HEARTH.**

**DO NOT USE GASOLINE, GASOLINE-TYPE LANTERN FUEL, KEROSENE, CHARCOAL LIGHTER OIL OR FLUID OR SIMILAR LIQUIDS TO START OR FRESHEN UP A FIRE IN THIS HEATER. KEEP ALL SUCH LIQUIDS AWAY FROM THE HEATER WHILE IT IS IN USE**

#### Choosing your fuel

All types of natural wood can be burned on your stove, but they must be well-seasoned and dry. Once the wood is cut to length, it should be split down middle - to suit the dimensions given below - to allow moisture to evaporate. Cut the wood to a length of max 12 inches (30 cm) and approx. 3 to 3.5 inches (7-8 cm) in section. If you can weigh your wood, aim for around 2 lbs. For correct combustion and heat output, wood fuel should contain no more than 20% moisture; this can easily be checked by using the Morsø Moisture Meter (part # 62929900).

To naturally season wood fuel, stack and store it under cover in an airy location where fresh air can move through each piece. Some soft woods may take as little as one good summer to season whereas harder woods such as oak, maple, and elm may require seasoning up to 18 months. Avoid overly dry wood that is gray in color as under certain conditions it can cause performance problems, such as back-puffing and sluggishness. Well seasoned wood will be light to hold and will show signs of cracking from the center-out in the ends. If your wood spits or sizzles when burnt, and your stove's door glass persistently mists up, your wood is not properly seasoned. Never use drift wood (from the sea), whose salt content may cause corrosion, nor construction wood that may have been impregnated with chemicals.

#### To optimize efficiency:

**Burning wet wood has a negative impact on efficiency**

**CAUTION Do not place fuel within the installation clearances for the stove or within the space required for loading fuel and ash removal.**

#### Starting the First Fire

The initial fire should be small, so that the stove paint can cure and the main plates of the stove can settle into position. Some fumes will be given off by the paint. Ventilate the room during this phase.

The setting of the air control, lighting techniques and loading intervals will depend on chimney draft, the fuel used, the heat required and so on. Some basic techniques are outlined below.

### In principle

Your stove should be with Primary and Secondary air and Pilot air inlets.

Primary Air is controlled using the lever situated over the door. Moving the control lever to right position will open the air inlet and will allow a supply of preheated air to enter the firebox via the 'airwash' system situated inside the stove and above the glass.

The secondary air is injected into the flue gases above the fire resulting in a cleaner, more efficient combustion process. The supply of secondary air and Pilot air is fixed open and is not adjustable.

For extra safety, your stove should be with a removable handle.

## 2.2 Lighting and loading intervals

When first lighting the stove, a large volume of air is needed. When the stove is cold, you should leave the door open an inch or two for the first few minutes and open the primary air supply completely. While the door is open, do not leave the stove unattended.

To form a reasonable bed of ash on the floor of the stove, you should use 2-4 pounds of dry kindling at the initial lighting. If possible, maintain a 1-1.5 inch (2-3 cm) layer of ash on the floor of the combustion chamber for added insulation.

1. We recommend using the "top-down" method to light your wood-burning stove. It is the most environmentally-friendly method of lighting. Use two firelighters and approx. 2-4 lbs of dry kindling sticks to quickly create a glowing layer of wood. Place the firelighters directly under the top layer of kindling sticks. This minimizes soot formation on the glass. Soot formation on the glass is often caused by too vigorous burning in contact with cold surfaces. If you avoid the formation of soot when lighting the fire and build up a layer of hot embers, you will have minimal soot formation when getting the fire burning again later.



2. The air supply must be fully open.



3. Light the fire.

4. After lighting, partially close the door, leaving it open an inch or two to allow in plenty of combustion air.



5. When the chimney is warm after about 5-10 minutes, the door should be closed. A suitable layer of ember will be formed after about 15-20 minutes.



6. When ready to reload, use a poker to spread the embers across the firebox floor, bringing plenty towards the front of the stove.



7. Lay two pieces of wood onto the embers. Leave half an inch or more between each piece.



8. Close the door. Leave the primary air supply fully open. If it does not light, leave the door slightly ajar to allow the necessary amount of air in to ignite the wood. Close the door again once the wood has kindled.



9. After a few minutes, adjust the primary air supply to suit your heating requirements. Make sure that there is always enough air to sustain clear, enduring flames when you reduce the amount of combustion air, and afterwards.

10. For refueling, add a layer of wood while there are still plenty of live embers, repeat steps 6-9. We recommend using fuel load with a weight of 3 lbs (2 pieces) and up to 6 lbs (5 pieces). Always keep the fuel load beneath the secondary stainless-steel air box. The space in front and above the air box is reserved for volatile gas combustion only.



**Do not for any reason attempt to increase the firing of your heater by altering the air control adjustment range outlined in these directions.**

**Warning: Fireplace stoves must never be left unattended with the door open.**

**If the door is left partly open, gas and flame may be drawn out of the fireplace stove opening, creating risks from both fire and smoke. We recommend that you fit a smoke detector in the room where the stove is installed.**

**DO NOT OVERFIRE THIS HEATER. Overfiring may cause a house fire, or can result in permanent damage to the stove. If any part of the stove glows, you are overfiring.**

The maximum recommended weight of wood fuel per load is 6lbs (5 split logs).

Under normal firing, the average flue temperature in the stove pipe, measured 20 cm above the stove, is approx. 300° C (550°F). The maximum flue temperature in the stove pipe must not exceed 450° C (750°F). If the flue temperature exceeds 450°C (750°F), it is considered as over firing and may cause premature wear and tear of the stove.

To help gauge the correct running temperature of your stove, we recommend you use the Morsø Flue Gas Thermometer (part # 62901200). The Flue Gas Thermometer magnetically attaches onto the stove pipe approx 20 cm (8") above the stove's top plate and measures the surface temperature of the stove pipe. Please see your authorized Morsø Dealer for availability.

### **Draft conditions**

If smoke or fumes come out of your stove when lighting up and reloading, or if the fire simply will not respond, a poor draft is almost certainly to blame. (In a very few cases, there may be insufficient fresh air getting into the room - see installation advice above). Take advice from your stove supplier on how best to upgrade your flue system to improve draft.

### **Rules of woodburning**

If you want less heat, put fewer logs on the stove and reduce the amount of air. It is still important to maintain a good layer of embers.

Less heat - less wood - less air

Greater heat - more wood - more air

Soot deposits will settle on the glass if the stove is run too slowly or if your wood is not well seasoned.

We would strongly recommend that you do not leave your stove alit at night. It harms the environment, and constitutes very poor use of the wood, as the gases in the wood do not ignite at the low temperature, but settle as soot (unburned gases) in the chimney and stove instead.

### **Carbon monoxide detectors**

It is required in some jurisdictions to install smoke and carbon monoxide detectors where heaters are installed. Install at least one smoke detector on each floor of your home to ensure your safety. It should be located away from the wood appliance and close to the sleeping areas. Locating a smoke detector too close to a wood appliance can cause the smoke detector alarm to sound if a puff of smoke is emitted while the wood appliance door is open during reloading. Follow the smoke detector manufacturers placement, installation, and maintenance instructions

## 3.0 Maintenance

When performing maintenance on your stove, always protect yourself, using safety goggles and gloves.

### 3.1 Exterior Maintenance

The stove surface is painted with heat-resistant Senotherm paint. It is best kept clean by vacuuming with a soft brush attachment or by wiping with a lint-free cloth.

Over a period of time, the painted surface may become slightly grey. A can of Morsø touch-up spray paint should be available from your stove supplier. This can be applied - in accordance with the instructions - in just a few minutes. When first firing after touching up, the stove will give off a slight smell as the paint cures. Make sure to ventilate the room well during this phase.

### 3.2 Internal maintenance

#### Glass

If the stove is generally run at the correct temperatures, there should be little or no dirt on the glass. If dirt does settle during lighting, most will burn off as temperatures increase. For heavier deposits that will not burn off, use morsø glass cleaner, applied when the glass is cold, in accordance with the instructions. Never use abrasive cleaners on the glass surface.

#### Reasons for dirty glass

- Fuel too wet
- Logs too large or not split
- Combustion temperatures too low

**Do not clean the glass while hot  
Replace broken glass immediately.**

**Do not operate your stove if the glass in the door is damaged.**

If you need to replace the glass, it should be replaced with the high temperature ceramic glass supplied by Morsø, contact your Morsø dealer.

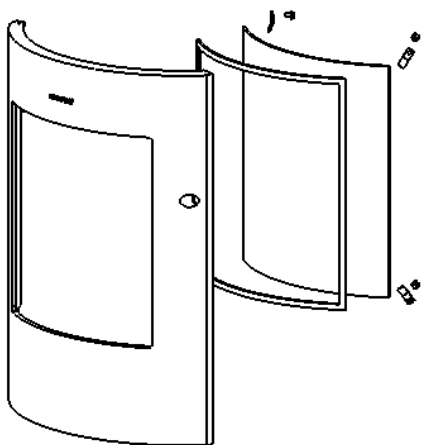
#### Installing the glass

Never install the glass when the stove is in function.

#### Ceramic glass replacement

Ceramic glass cannot be recycled because it has a higher melting point than ordinary glass. If ceramic glass is mixed with ordinary glass, the raw material is spoiled, and the reclaiming process may be halted. Take care that the ovenproof glass does not end up among ordinary recycled waste. That will be a great benefit to the environment.

Note: Should be handed in to a recycling station as ceramic glass.



1. When you open the door, you will find two hinge pins, one in each hinge. Remove the two hinge pins, lift the door off the hinges and place it face down on a sheet of cardboard or other nonabrasive fabric.
2. Unscrew the 4 bolts that secure the glass. (In the event that a bolt sheers off when being unscrewed, remove the remaining body of the bolt by drilling down its centre with 1/8 inch high speed steel drill bit. Smaller drill bits may be successful, but do not use a larger bit. Make sure the bit stays away from the edges of the bolt - this may damage the thread in the cast iron).
3. Remove the old ceramic gaskets and clean up the surface underneath with wire wool or emery paper to remove loose particles.
4. Place the new gasket material in position around the perimeter of the window area, making sure to pinch them to the length in such a way that they make a continuous seal. Leave no gaps.
5. Place the new glass in position on the strips and screw home the fresh bolts and fitting by hand.
6. Finally, give each of the bolts an extra half turn or so. The glass should held tight enough by that cleaning will not dislodge it. Do not over-tighten the bolts as this may put excessive pressure on the glass, resulting in cracking - important!

**To reduce the risk of breaking the glass, avoid striking the glass or slamming the door.**

### **Internal service parts**

The flame-path equipment - consisting of the ashpan, grate, firebricks, Cast iron fire plates, glass, baffle and flue collar - are subject to the extremes of heat produced by the fire. From time to time, one or other of these parts may need replacing as a matter of routine maintenance.

**NOTE: The flame-path equipment, the ceramic rope and the paint finish are not covered by guarantee.**

All of these service parts can be bought from your morsø dealer, and we recommend that damaged parts are replaced as soon as possible to avoid collateral damage.

Should the baffle be distorted by an overfire, the stove will still function, although its efficiency may be compromised. Replace it as soon as possible.

### **Reasons for fast internal wear and tear**

Persistent heavy firing

Soot and ashes left to accumulate

### **Gasket**

The gasket around the perimeter of the door may harden over a period of time. It should be replaced if it becomes difficult to close the doors or if air starts to leak in around the perimeter of the doors, causing the fire to become a little less controllable. A morsø rope gasket kit is available from your stove supplier.



### 3.3 Cleaning the Stove and the Flue

Check for soot above the baffle plate and around the flue outlet every month or so to start with. If the stove suddenly becomes sluggish, check for a soot fall around the flue collar or in the flue/chimney.

**The chimney and chimney connector should be inspected at least once every two months during the heating season to determine if a creosote buildup has occurred. If creosote has accumulated, it should be removed to reduce the risk of a chimney fire.**

Clean the flue/chimney - all the way from the stove to the flue terminal point above the house. A good routine is to clean the flue after each heating season in any case, and inspect prior to the season to ensure that bird's nests or other blockages have not occurred during the off season.

#### **Ash disposal**

Empty the ashpan on a daily basis or as needed. Ash allowed to build up towards the underside of the grate will trap heat and could cause premature failure of the grate.

#### **Empty the ashpan according to this procedure:**

Open the front door, and use a shovel or poker to stir excess ash through the ash slots in the grate down into the ash pan. Take out the ash pan, making sure to keep it level to avoid spilling ash.

#### **Dispose the ash in a metal container with a tight fitting lid.**

The closed container of ashes should be placed on a noncombustible floor or on the ground, well away from all combustible materials, pending final disposal. If the ashes are disposed of by burial in soil or otherwise locally dispersed, they should be retained in the closed container until all cinders have thoroughly cooled.

Return the ash pan to its original position in the stove, and close the door.

#### **CAUTION:**

**Never empty a stove in operation.**

**Never use your household or shop vacuum cleaner to remove ash from the stove; always remove and dispose of the ash properly.**

#### **Creosote - formation and need for removal**

When wood is burned slowly, it produces tar and other organic vapors, which combine with expelled moisture to form creosote. The creosote vapors condense in the relatively cool chimney flue of a slow-burning fire. As a result, creosote residue accumulates on the flue lining. When ignited this creosote makes an extremely hot fire. When burning wood, the chimney and chimney connector should be inspected at least once every two months during the heating season to determine if a creosote buildup has occurred. If creosote has accumulated, it should be removed to reduce the risk of a chimney fire.

#### **Chimney sweeping**

Inspect the system regularly during the heating season as part of a regular maintenance schedule. To inspect the chimney, let the stove cool completely. Then, using a mirror, sight up through the flue collar into the chimney flue. If you cannot inspect the flue system in this fashion, the stove must be disconnected to provide better viewing access.

Clean the chimney using a brush the same size and shape as the flue liner. Run the brush up and down the liner, causing any deposits to fall to the bottom of the chimney where they can be removed through the clean-out door.

Clean the chimney connector disconnecting the sections, taking them outside, and removing any deposits with a stiff wire brush. Reinstall the connector sections after cleaning, being sure to secure the joints between individual sections with sheet metal screws. If you cannot inspect or clean the chimney yourself, contact your local Morsø Dealer or a professional chimney sweep.

**If you do experience a chimney fire, act promptly and:**

1. Close the air control.
2. Get everyone out of the house.
3. Call the Fire Department.

**Annual maintenance**

Before the heating season, perform a thorough cleaning, inspection and repair: Thoroughly clean the chimney and chimney connector. Inspect the chimney for damage and deterioration. Replace weak sections of prefabricated chimney. Have a mason make repairs to a masonry chimney. Inspect the chimney connector and replace any damaged sections. Check gasketing for wear or compression, and replace if necessary. Check the glass for cracking; replace if needed. Check door and handle for tightness. Adjust if needed.

**How to clean the inside parts of Morsø 6100**

When cleaning the inside parts of the stove in connection with the annual visits from your local chimney sweep we recommend that you remove the inside parts from the fire chamber. Please be careful as the vermiculite parts are porous. Cleaning of the stove must be done when the stove is cold.

**ALWAYS USE ORIGINAL MORSØ SPAREPARTS**

1. The bottom baffle is lifted up a bit and held in that position. Loosen the side bricks.



2. Tip the side bricks and remove them from the fire chamber.



3. Tip the other side brick and remove it from the fire chamber.



4. When the side bricks are removed the bottom baffle is lowered and lifted out of the fire chamber.



5. The upper baffle is removed from the brackets and lifted out of the firechamber.



### **3.4 Leaving the stove for extended periods**

#### **Important:**

If the stove is to be left unused for any period of time, clean it out thoroughly and leave the air control slightly open to allow airflow. Make sure that the flue does not allow rainwater to come anywhere near the stove; install a chimney cap, but do not block off the flue completely.

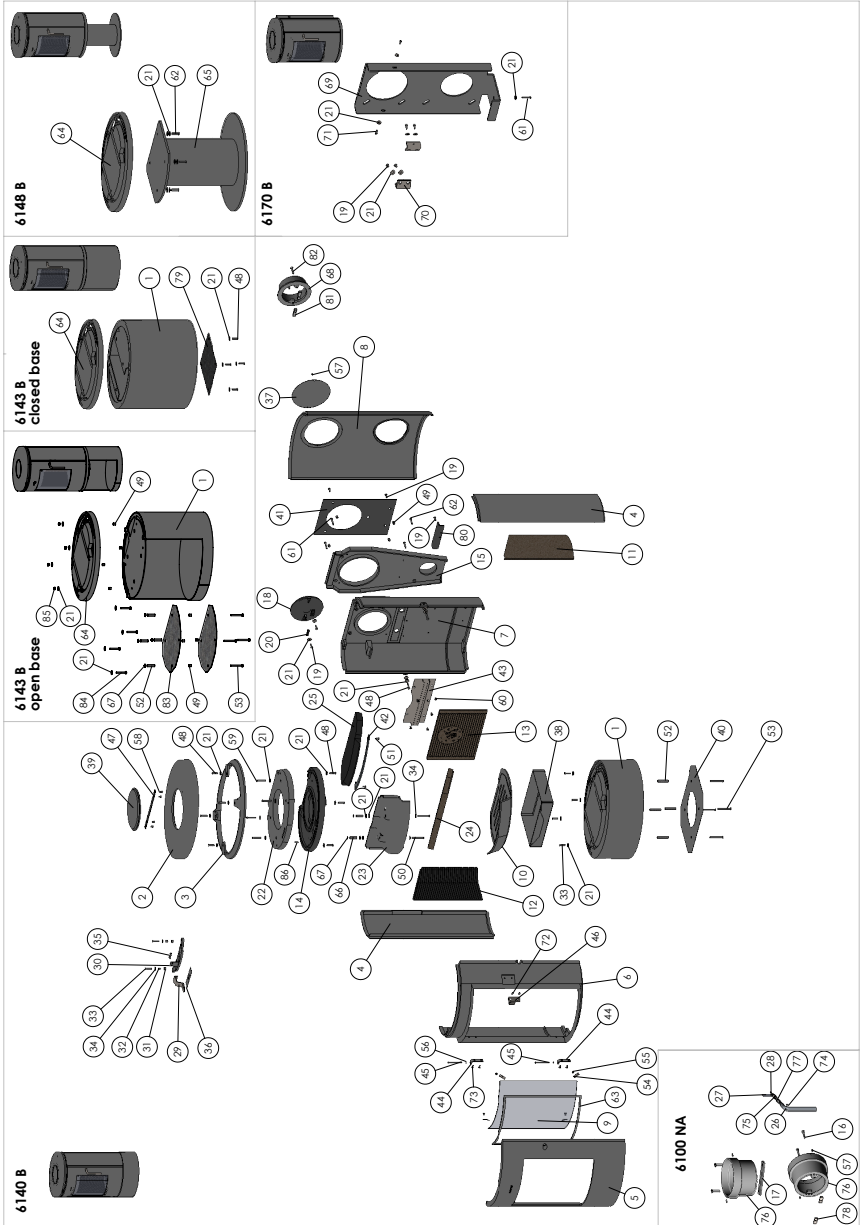
These measures should ensure there is a slight movement of air through the stove, and that the body of the stove remains dry, right into the corners.

Any ash left within an unfired stove can attract moisture like blotting paper. If moisture is allowed to settle within the stove, rust will form. Rust expands as it takes a grip. This can lead to undue pressure on the stove joints, and this in turn may result in damage to the stove.

NOTE: It is best to thoroughly clean the stove after the heating season has concluded. Adding a dessicant, such as kitter litter, into the ash pan helps absorb moisture during the summer months. Be sure to remove this prior to the heating season.

We hope you have many years of carefree warmth in its company. Some initial experimentation with loading and running techniques will decide your normal routine. If you have any problems after this short learning phase, please refer to your stove dealer. Should they be unable to help for any reason, please contact us in writing at the address on the front of this publication.

### 3.5 Parts diagram for model Morsø 6100



### 3.6 Parts list for model Morsø 6100

Pos. No.	Parts	SKU number
1	Socle	44610100
2	Top plate, outside	44610900
3	Top frame	44610600
4	Side plate, outside	44610700
5	Door	44610300
6	Front frame	44610200
7	Rear plate, inside	44610400
8	Rear plate, outside	44610800
9	Glass	79610100
10	Intermediate frame	346110
11	Brick, side, right	79610200
12	Brick, side, left	79610300
13	Brick, back	79610400
14	Top plate, inside	44610500
15	Air canal, rear	44611200
16	Screw M6x35 DIN 933	743625
17	Stop bar	71611900
18	Cover	44141000
19	Screw M6x16 DIN 933	731616
20	Lug	44256800
21	Washer Ø6 DIN 9021 fzb	791891
22	Air canal, top	44611300
23	Air canal, front	44611600
24	Baffle plate, lower	79610500
25	Baffle plate, top	79610600
26	Handle	75610061
27	Hinge pin Ø6x40	542056
28	Screw pinol msp ISO 4029-45h	73950500
29	Handle primary air controller	71611261
30	Primary air controller	71611100
31	Distance tube Ø12x1.5 L=8mm	71810300
32	Distance tube Ø8x1 L=10mm	71810200
33	Screw M6x20 DIN 933	74162000
34	Washer 6,5x16x1 DIN 522-A fzb	736106
35	Screw M5x10 ISO 7380 Buttonhead	73851100
36	Closure plate for Primary air control	71610800
37	Roundel	71611000
38	Ash pan	71610100
39	Cover	44812000
40	Radiant shielding, bottom	71610300
41	Radiant shielding, rear	71610200
42	Fitting plate for baffle	71610461
43	Tertiary box	71610561
44	Hinge fitting	71810100
45	Screw Ø5x60 DIN 660 KN KULLRIG NIT	74701000
46	Closure fitting	71610700
47	Lug for cover	71813200
48	Screw M6x25 dIN 933	731625
49	Distance tube Ø10x1 L=10mm	541439
50	Screw M6x50 DIN 931	731650

### 3.6 Parts list for model Morsø 6100

Pos. No.	Parts	SKU number
51	Screw M6x12 DIN 933	731612
52	Distance tube Ø10x1 L=35mm	542641
53	Screw M6x55 DIN 933	731640
54	Glass fitting	71814561
55	Screw M5x8 ISO 7380	73850800
56	Retaining Ring Washer 4mm DIN 6799	746006
57	Screw 3,5x9,5 DIN 7981 fzb	791835
58	Screw M6x8 DIN 933	731608
59	Screw M6x40 DIN 933	731640
60	Screw M6x10 DIN 965A	74361000
61	Screw M6x35 DIN 933	731635
62	Screw M6x30 DIN 933	731630
63	Tape for glass	79074200
64	Bottom plate	44611500
65	Pedestal	71611500
66	Distance tube Ø10x1 L=30	541440
67	Vistop lock washer 6 mm	746206
68	Flue collar	44141900
69	Fitting for wall	71612000
70	Bracket for wall fitting	71612100
71	Screw M6x16 Buttonhead ISO 7380	73861400
72	Screw M5x8 DIN 933	74150804
73	Screw M5x12 DIN 7991	73856100
74	Cotter pin Ø2x10 DIN 1481	74201900
75	Axle f. door	75610161
76	Flue collar	44611800
77	Spring 1,5x14x21 5 turns	79048800
78	Fitting w. thread for flue collar	44256700
79	Radiant shielding, Bottom for 6143	71612500
80	Bracket for optional outside air kit	71613700
81	Fitting w. thread for flue collar	542630
82	Screw M6x35 DIN 7991	74241900
83	Radiant shielding, open base 6143	71617000
84	Screw M6x45 DIN 933	731645
85	Nut 6mm kl.8 DIN934	735006
86	Screw M6 x 16 DIN 913-45H	73961700



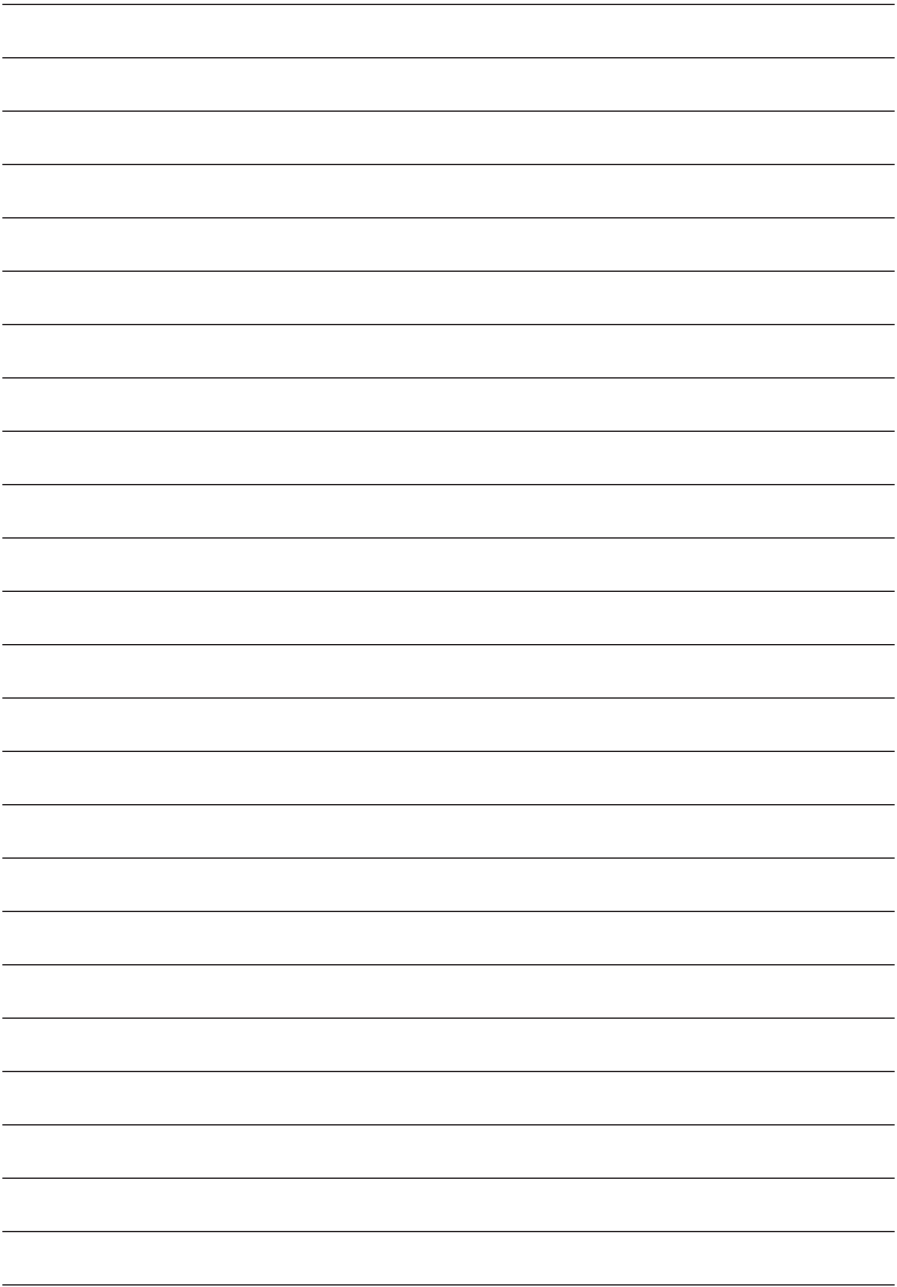


# Guarantee Product Registration

## MORSØ 10 YEAR GUARANTEE CERTIFICATE

Behind every Morsø stove is more than 160 years of dedicated stove design and manufacturing experience. Quality control has always been at the heart of the production process and detailed measures have been put into place at all key stages of the build. Accordingly, provided that the stove has been supplied by an authorised Morsø dealer, Morsø will offer a 10-Year Manufacturers Guarantee against manufacturing defect to any of the main exterior body parts of its stoves.

**Read more about "Morsø 10 years guarantee/product registration card" and  
REGISTER your new Morsø stove online:  
<http://international.morsoe.com/warranty-registration>**



A series of horizontal lines for writing, consisting of 21 evenly spaced lines across the page.

## IMPORTANT!

### How to heat safely for the environment and yourself!

- **Use only dry wood**

Use only dry (max. 20% moisture content) and untreated wood. The fuel must be split and 8 - 12 cm thick.

- **Light**

Light with dry kindling (use 1 - 2 kg). Leave the door ajar and stay close to the stove during the lighting phase.

- **Good layer of embers**

Be certain to have a good layer of embers before refilling. The wood should light within 2 minutes. If the logs do not ignite it may, in an extreme case, cause the flue gases to ignite which may pose a risk to material damage or personal injury.

- **Refuelling**

When refuelling use 2 - 3 pieces of wood - no more than 2 - 2.5 kg.

- **Ensure adequate air**

i.e. clear and yellow flames.

- **Never burn overnight**



By appointment to The Royal Danish Court

# morsø

Morsø Jernstøberi A/S -10.11.2021 - 72611600

MORSØ JERNSTØBERI A/S . DK-7900 NYKØBING MORS  
E-Mail: info@morsoe.com · Website: www.morsoe.com