

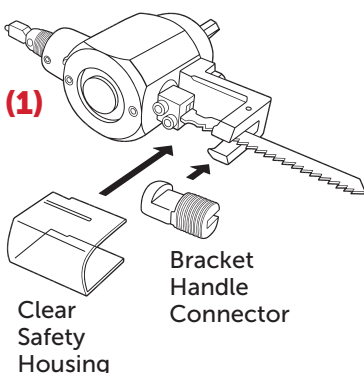
Dual Purpose Nibbler/Saw



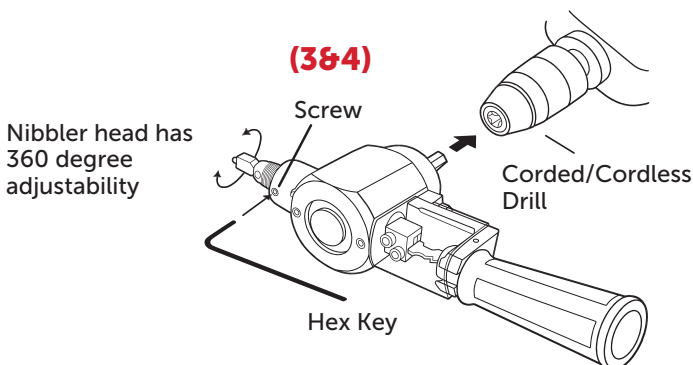
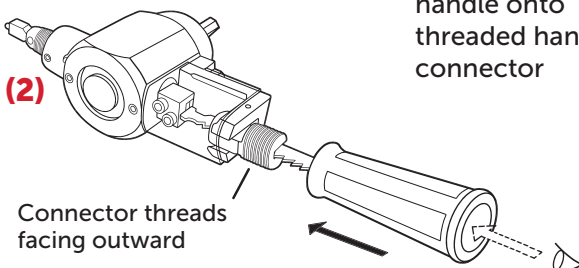
The Nibbler will cut:

- 14 gauge mild steel
- 18 gauge stainless steel
- 12 gauge copper/brass/aluminum
- 12 gauge veneer/plastic/laminate/pvc/styrene/acrylic

NIBBLER SET UP



1. Release the clear safety housing
2. Insert threaded handle connector as shown in illustration (note - threads facing outward)
3. Reinstall clear safety housing
4. Snuggly screw handle onto threaded handle connector

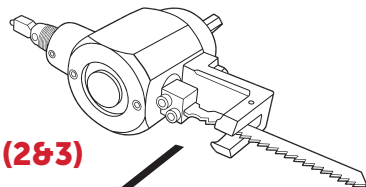


For Extensive Instructions Visit MillnerTools.com

With the appropriate blade, your Reciprocating Saw will cut a variety of materials.

RECIPROCATING SAW SET UP

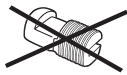
1. Unscrew and remove handle (not shown)



(2&3)



Clear
Safety
Housing



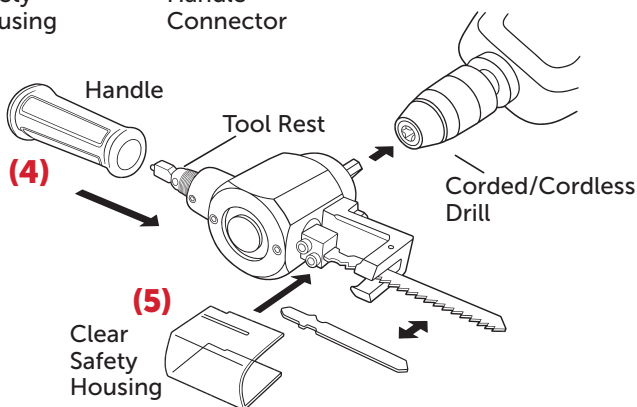
Bracket
Handle
Connector

2. Remove clear safety housing

3. Remove threaded handle connector

4. Screw handle onto the nibbler side of the tool

5. Reinstall clear safety housing



Replacement Steel & Wood blades are readily available:

The Bosch® "T" style blades are recommended.

• Metal - Bosch® T118EF • Wood - Bosch® T111C

For Extensive Instructions Visit MillnerTools.com

⚠ WARNINGS: ⚠

- **ALWAYS** close the clear safety housing that covers the saw mechanism before operation
- **ALWAYS** make sure the handle is screwed on, hand tight, over the saw before operation
- **DON'T** exceed the thickness of cutting materials stipulated herein
- **DON'T** use this tool out of the usage ranges illustrated herein
- **ALWAYS** remove the tool from the drill when changing the nibbler pin/head or the saw blades
- **ALWAYS** use lubricating oil on stainless steel and aluminum (note- lubricating oil will extend the life of the pin cutter on all metal)

MillnerTools.com • 888.365.3301