


QUILTING
REIMAGINED



made to create **BERNINA**



What makes the
BERNINA
Q Series
Longarm
different?

Over 125 years of Swiss engineering,
innovation, and imagination.

Like Albert Einstein, we believe that "imagination will take you everywhere." So when you combine your talent with the right BERNINA Q Series longarm machine, your creations will go beyond what you ever imagined. That's true whether you choose a Q Series Sit-down model or a Q Series Frame model. Once you switch on your BERNINA, you'll feel the rush of anticipation, knowing that great things await you.

Question is, which Q Series is right for you? Let's continue our guided tour on the next page to see the many ways BERNINA can help you bring your unique inspirations to life.

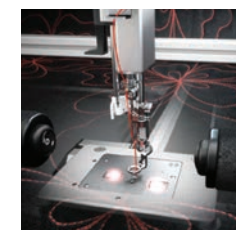
More features. More freedom. A whole new world of possibilities.

Every longarm machine lets you sew larger quilts, but only one takes quilting to places it's never been before. From the moment you first drive a BERNINA Q Series Longarm, you'll appreciate the ergonomics, the smooth glide of the machine on the fabric, and the impeccable stitch quality. That's because every machine in the BERNINA Q Series is synonymous with Swiss engineering, awe-inspiring precision, and unrivaled innovation.

BERNINA has combined its 125-plus years of innovation with the wisdom of longarm quilters to create the amazing Q Series. Thanks to the many exclusive features, quilters can now experience a whole new level of creativity. The result is a series of longarm machines that deliver outstanding performance.

Whether you select a Q Series on Frame or a Q Series Sit-down, you'll enjoy exceptional features—from the customizable interface to the generous throat space to the ease of threading and the innovative BERNINA Stitch Regulator.

Once you take any of our BERNINA Longarm machines for a test drive, you'll see why ordinary longarm machines simply can't compare.



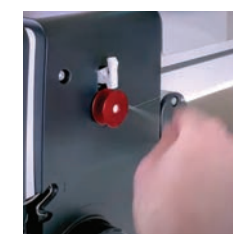
BERNINA Stitch Regulator (BSR)
Equipped with two optical sensors, this innovative system offers superior stitch quality and maximum flexibility. There are three modes, which means it provides perfect stitches at any length, regardless of how fast or slow you move the fabric or machine. A manual mode with no stitch regulation is also available.



Unique Threading Path
The spool holders are positioned towards the front of the machine with a threading path that's simple to follow. The short thread path supports perfect thread tension.



Upper Thread Tension Control
BERNINA delivers electronically adjustable and numeric thread tension control. With just a few easy clicks, you can digitally adjust thread tension, and track the settings for your favorite thread types and combinations.



Integrated Bobbin Winder
This on-board bobbin winder (M Class bobbin) conveniently winds coordinating bobbin threads for your projects, independent of machine operation.



Optional Quilting Automation
Compatible with the Q 16 PLUS, Q 20 and Q 24 on frame, the BERNINA Longarm Quilting Automation System (Q-matic) perfects the art of automation. You have to see it, to believe it!



"Quilting is more than a hobby. It's a way for me to express myself. It allows me to work through those big feelings of life...through the times that I'm grieving, through the times that I'm celebrating, and to create something so that I can remember those experiences ...and when I'm done I can actually wrap myself up in what I've created."

*Christy Burcham
Quilter and Educator*

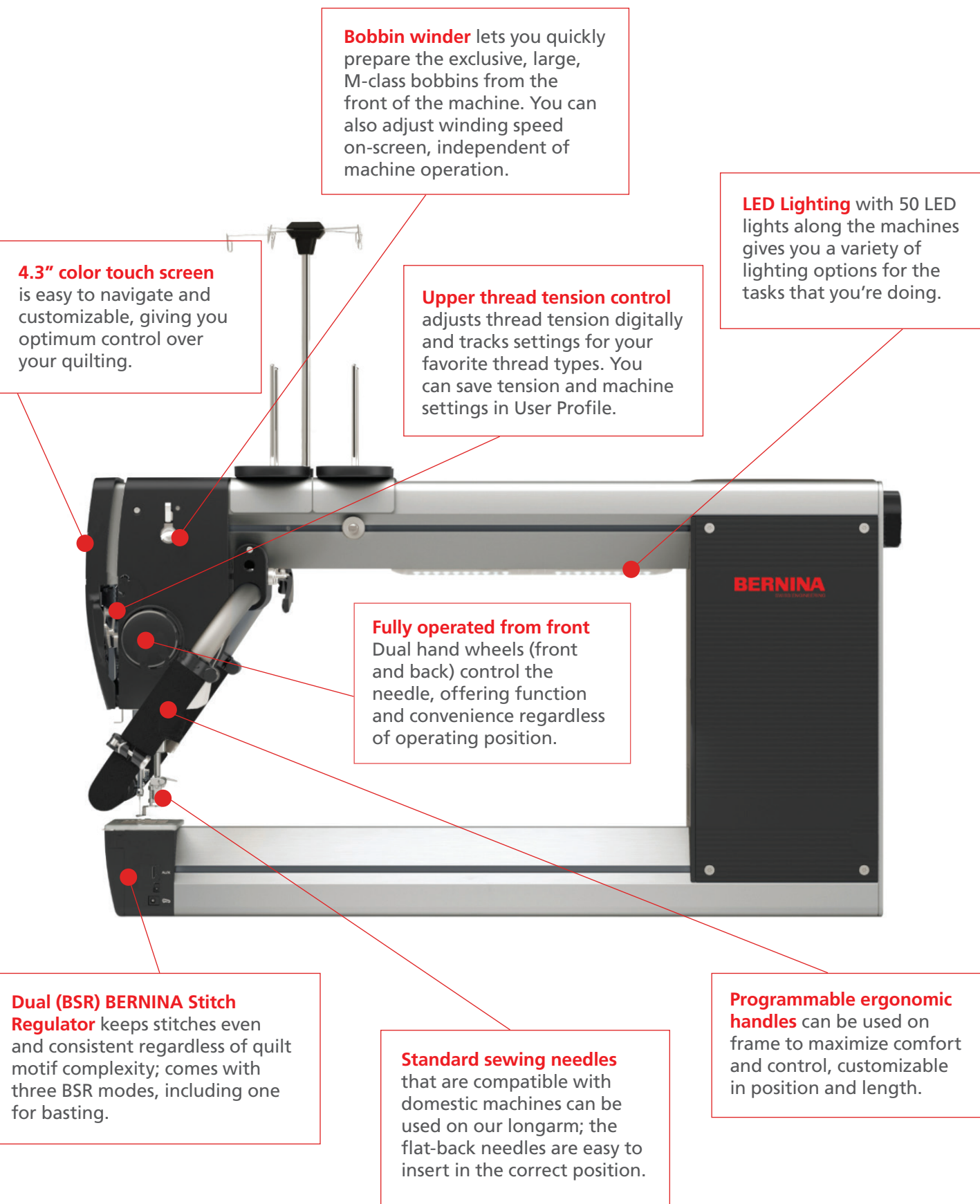


Introduce yourself to the BERNINA Q Series and re-think possible.

Once you drive a BERNINA, nothing else will do.

Used to quilting on a domestic sewing machine? Imagine how much easier it would be if you had more space to manage and move big, heavy quilts. The BERNINA Q Series gives you that space. Lots of it. And that's not all. You'll also enjoy stitch regulation perfection, easy free-

motion quilting and a whole lot of exclusive features and capabilities you won't find in other machines. Of course, the only way to experience just how superior BERNINA is; come in and take one for a test drive. Your neck and shoulders will thank you.



Bobbin winder lets you quickly prepare the exclusive, large, M-class bobbins from the front of the machine. You can also adjust winding speed on-screen, independent of machine operation.

LED Lighting with 50 LED lights along the machines gives you a variety of lighting options for the tasks that you're doing.

4.3" color touch screen is easy to navigate and customizable, giving you optimum control over your quilting.

Upper thread tension control adjusts thread tension digitally and tracks settings for your favorite thread types. You can save tension and machine settings in User Profile.

Fully operated from front Dual hand wheels (front and back) control the needle, offering function and convenience regardless of operating position.

Dual (BSR) BERNINA Stitch Regulator keeps stitches even and consistent regardless of quilt motif complexity; comes with three BSR modes, including one for basting.

Standard sewing needles that are compatible with domestic machines can be used on our longarm; the flat-back needles are easy to insert in the correct position.

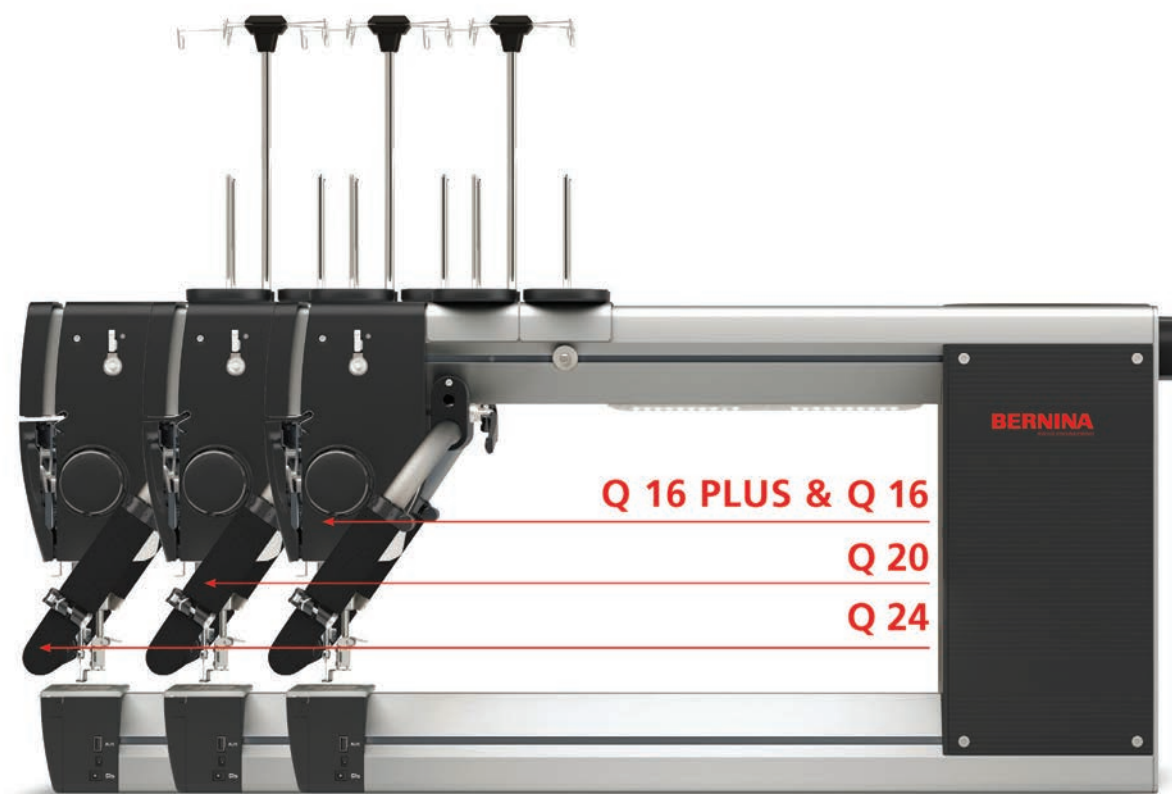
Programmable ergonomic handles can be used on frame to maximize comfort and control, customizable in position and length.

Different quilters have different needs.

Have the space to dream really big? The Q 24 and Q 20 will take you where you want to be.

In addition to the BERNINA features mentioned earlier, the Q 24 and Q 20 on a frame have ergonomically correct handles that are adjustable, with toggles that can be programmed to your preference, giving you ultimate operating control.

Both the Q 20 & Q 24 are compatible with the BERNINA PRO Frame, which comes in three sizes: "Small", "Classic" and "Large." The Q 20 is also compatible with the BERNINA Studio Frame, allowing you to start small and upgrade to the PRO Frame later.



Have big ideas but not a lot of space? Try a BERNINA Q 16, Q 16 PLUS or Q 20 on for size.

All three machines can be paired with a standard cabinet or with height-adjustable tables. If you think you may want to upgrade to a frame, the BERNINA Q 16 PLUS and Q 20

pair with the BERNINA Studio Frame. The Q 16 PLUS and Q 20 also feature customizable, ergonomically correct handles.

With 16" of throat space, both the Q 16 & Q 16 PLUS have more throat space than your domestic machine. Meanwhile, the Q 20 gives you 20" of throat space and a little extra space to create.

Whatever you decide, you'll enjoy the exceptional benefits discussed on the previous page. The BERNINA Q Series gives you the freedom of control, and the confidence that comes with knowing your creativity doesn't have to be limited by the size of your space.

Look at all the great features you'll find on every BERNINA Q Series machine:

- Conveniently Located 4.3" Color Touch Screen
- 50 LED Lights for Optimum Freearm Illumination
- On-Screen Help, Animations & Tutorials
- Front Handwheel
- Back Handwheel
- Integrated Needle Threader
- Digital Upper Thread Tension Control
- Upper Thread Sensor
- M Class BERNINA Rotary Hook System
- On-board Bobbin Winder
- Bobbin Thread Sensor
- BERNINA Stitch Regulator
- Maximum Stitch Length in BSR Mode (one stitch per inch)
- Minimum Stitch Length in BSR Mode (24 stitches per inch)
- Automatic Presser Foot Lift
- Five User Profiles
- Presser Foot System Standard Foot: #9
- Optional Feet: #15, #24, #26, #29, #43, #44C, #72, #72S, #73, #74, #96
- Bobbin Thread Tension Gauge (packed with machine head for future use)
- Machine Needle System is compatible with domestic machine needles
- Twin Needle compatible with available Twin Needle Stitch Plate Accessory

Distinct Machine Features

BERNINA Model	Q 24 Frame	Q 20 Sit-down	Q 20 Frame	Q 16 PLUS Sit-down	Q 16 PLUS Frame	Q 16 Sit-down	Q 16 Frame
Throat Space	24" L 11" H	20" L 11" H	20" L 11" H	16 ½" L 11" H	16 ½" L 11" H	16 ½" L 11" H	16 ½" L 11" H
Programmable Foot Control		•		•		•	
Programmable Front Handles	•		•		•		•
USB Ports	2	2	2	1	1	1	1
Maximum Sewing Speed (stitches per minute)	2,200 SPM	2,200 SPM	2,200 SPM	2,200 SPM	2,200 SPM	2,000 SPM	2,000 SPM
Optional Accessory Connections	•	•	•	•	•	•	•
Optional Q-matic (automation)	•		•		•		
Optional Pantograph	•		•		•		

Sit down, make yourself comfortable and get ready to create.

Big ideas. Small spaces. When you combine the large throat space of the Q Series with our exclusive tables and cabinets, you'll start to see how BERNINA is redefining the quilting experience. So get ready to bring your big ideas to life—even if you have a small space.

High-speed precision. Exceptional ergonomics. Total customization. In a word, BERNINA. Whether you're sitting down at the Q 16, Q 16 PLUS or Q 20, you'll experience unrivaled freedom—from the roomy quilting space to the exclusive BERNINA Stitch Regulator to the ease of free-motion quilting. And with

everything you need to operate the Q Series at the front of the machine, creating is easier and dreamier than ever before.



"As a quilt artist, I need to be able to use any type of material. I usually look for something that's a little bit different for my quilts...sometimes I need something like a clear plastic, or a chiffon...so I need a tool that will be able to sew through everything."

Marisa Marquez
Quilt Artist



When it comes to comfort and choice, no one offers you more flexibility than BERNINA.

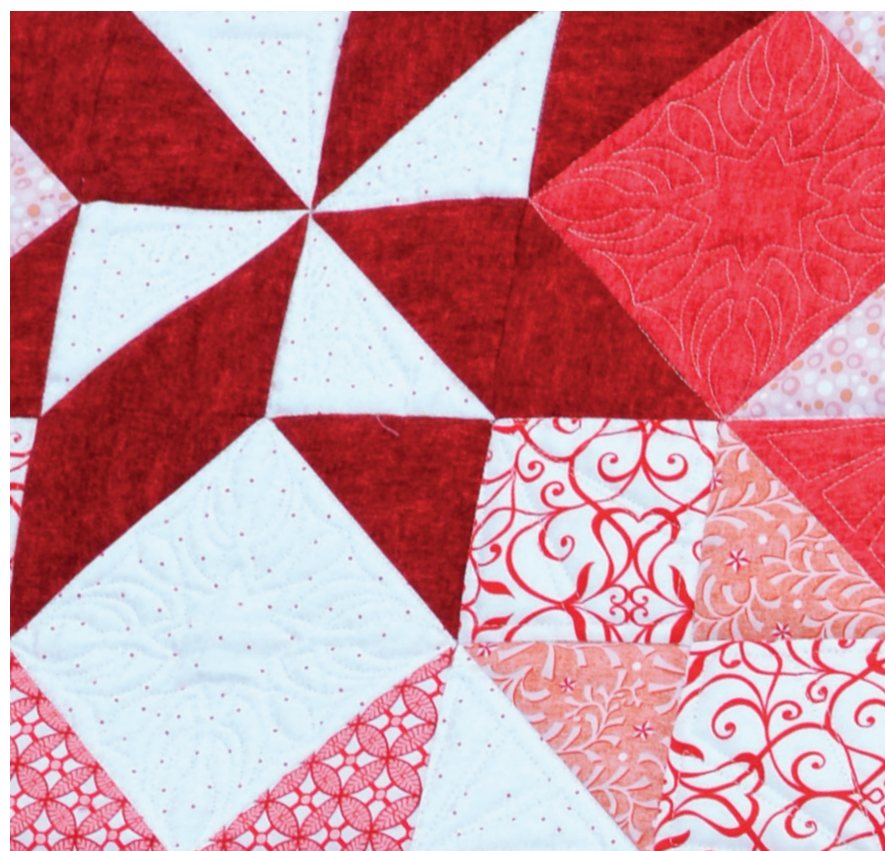
Our Q 16, Q 16 PLUS and Q 20 can be paired with sit-down options specifically to fit your needs. From our classic cabinet with a generous work area to height-

adjustable tables, including a foldable version for optimal storage, you're sure to find your perfect set up. Plus, our Q 16 PLUS and Q 20 can grow with you because they also work on our frames and are automation ready.



"I'm no longer limited to perfect stitches just on my sewing machine, now I get them on my Longarm."

Ron Steinbacher
Quilting Enthusiast



When it comes to sit-down quilting, every choice is Q-Perfect.

How you support your quilting vision is up to you.

All BERNINA tables and cabinets are designed to fit the Q 20, Q 16 PLUS, and Q 16 longarm machines. The variety of sizes, options, and features ensures you'll find the one that works best for your space and specific quilting needs.



Koala Cabinet

Enjoy a true classic with our Sit-down Cabinet.

Expanded quilting space. Optimal performance. Exceptional design. Enjoy them all with the table that's designed to effortlessly handle the speed and weight of the BERNINA Q Series sit-down machine. And it expands on both sides, giving you a ton more quilting space. It's a classic for a reason!

Quality meets functionality:

- Height: 29"
- Size tabletop: 36" x 45"
- Size tabletop expanded: 36" x 77"
- Generous storage space
- Available in white

Power up your quilting with our Lift Table.

This powered, height-adjusted table is a favorite choice. Not only does it make it easy to adjust your quilting position, the hinged side leaves also provide extra quilting space that extends out and around you, which is really great for larger, bulky quilts. Whether you're sitting or standing, it's just one more way BERNINA powers up your quilting potential. If you want even more space, you can order the optional shelf and drawer leaf set.

Customized positions are just the beginning:

- Easy Adjustable Height from 29" to 42"
- Leaves down: 46.5" x 35.75"
- Leaves up: 72" x 35.75"
- Casters included
- Drawer leaves and shelf installed: 72" x 50.75" (optional accessory)



Horn Lift Table

Think big in small spaces with our Foldable Table.

Space-saving design. Affordable price. Superior quality. With this super-compact table, space is no barrier to bringing your big ideas to life. It can be set to three different heights and gives you a surprising amount of working surface. Once you're done, remove the machine, and the table folds down to a width of 9 inches for easy storage.



Adjustable Foldable Table

Foldable, affordable, and so much more:

- For small space requirements
- Height positions 28", 30" and 32"
- Fast and comfortable set up
- Easy store away
- No tools required

Take the weight off your shoulders and let a BERNINA PRO Frame carry it for you.

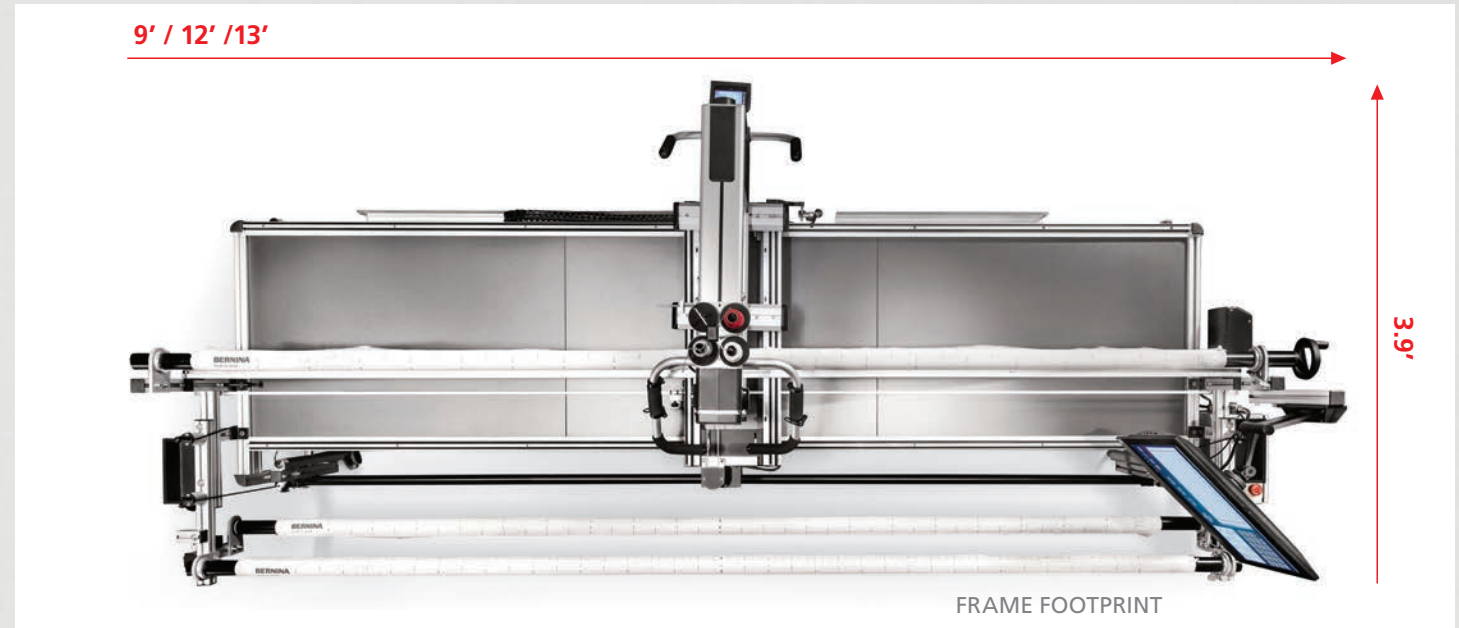
Take your creations
to a whole new level
of "WOW!"

When you drive the Q 20 or Q 24 on a quilt frame, you create from the top down; mastering your large creations as you go and taking them places you never imagined possible. Available in "Small", "Classic" and "Large" sizes, the exceptional BERNINA PRO Frames showcase your personal quilting style while accommodating your unique floor space needs.

Whatever masterpiece you're creating, the frame's strong, robust design readily handles the high speeds of longarm quilting. Constructed from anodized aluminum, this lightweight yet sturdy frame can handle the weight, size, and speed of the BERNINA longarm machines with ease.

Another great thing about an on-frame machine is that you can add automation, so the belts drive the machine. Talk about the power of creativity!

**BERNINA Q 24
on PRO Frame**
Also works great
with the Q 20



Give your creativity a little elbow room

Remember to allow 2 feet of space beyond the specs listed here for the pantograph kit. Ask your dealer about a Q Series rollout mat. This mat is an actual sized picture for you to see what it could look like in your dream room.

Small space. Big ideas. Huge possibilities.

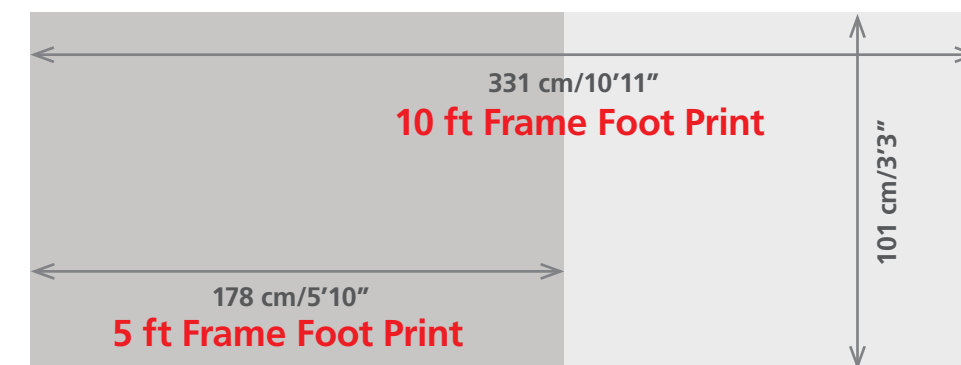
Ever feel like your quilting aspirations are bigger than your space? Now they don't have to be. The BERNINA Studio Frame is a modular frame and can be assembled as small as 5 ft or to its full size of 10 ft. The Studio Frame is spacious enough for your biggest projects and sturdy enough to handle all the performance features of the Q 16 PLUS and Q 20 Longarm.

Big on quality, the Studio Frame is the more affordable option in our selection of quilting frames and has the flexibility to size up or down depending upon your needs.

At 10-ft, you can create a quilt or larger piece of quilted art. Create small. Create big. Create to your heart's content.

Quick, easy to assemble and perfect for the Q 20 or Q 16 PLUS

- Modular frame
- For quilts up to 104"
- Also works with the Q 16
- Q-matic automation available



Dimensions

- Frame length (10 ft): 10'11"
- 10 ft frame can be set up as a 5 ft frame if desired
- Frame width: 3'3"
- Adjustable working height 35" to 44"
- Wide range of optional accessories

**Q 16 PLUS
on BERNINA
Studio Frame**

Set your imagination free, big-time.

The BERNINA PRO Frame is ideal for larger projects because there are virtually no limits to what you can do. Not only are you freed up from having the weight of the quilt on your shoulders, you also have the option of automation, which opens up a whole new world of possibilities. You have pantograph as

a possibility. You have the Q-matic as a possibility. You have a hydraulic lift as a possibility. The possibilities are virtually endless. All you need is the space to make it happen.

A BERNINA frame also frees you from all that pin basting. Seriously. As you move down the frame, the

rollers are keeping the quilt straight, basting the sides as you approach a new area. The result? You can complete your project faster, and with the greatest of ease. You just mount the quilt on, make sure it's square and start quilting. Once you test drive a Q 20 or Q 24 on frame, you'll see just how freeing it is.



Spread your wings and fly! BERNINA designed the Q 24 and Q 20 on the BERNINA PRO Frame to provide optimum flexibility when working on larger projects.

Big projects. Big Possibilities.

Frame	Large PRO	Classic PRO	Small PRO
Size (length & depth)	13' x 3.9' 3.93 x 1.2 m	12' x 3.9' 3.63 x 1.2 m	9' x 3.9' 2.7 x 1.2 m
Maximum quilt size	ca. 120" ca. 3.05 m	ca. 108" ca. 2.74 m	ca. 71" ca. 1.8 m
Leaders	132" / 11' 3.36 m	120" / 10' 3.07 m	83" / 6.9' 2.12 m
Adjustable frame height	35" - 47" 0.9 - 1.2 m	35" - 47" 0.9 - 1.2 m	35" - 47" 0.9 - 1.2 m
Number of legs	6	6	4
Hydraulic Lift	optional	optional	not available

Whichever size you choose, this frame has it all:

- Adjustable foot pads for perfect leveling
- Continuous X- and Y-axis track system with no joints
- Angled tracks and wheel axles for accurate and smooth movement of the sewhead to allow even quilting
- Friction-free 16-wheel system
- Leg system for maximum stability
- Multi-step ratchet system for perfect fabric tension
- Integrated latch system for maximum fabric holding power, yet easy release
- Pivot pick-up of magnetically secured top rail to smooth batting
- Dead bar for perfect fabric height no matter the length of your quilt
- Large diameter rails eliminate rail flex when tensioning the quilt
- Heavy duty canvas leaders with positioning markings for years of quilt loading ease
- Spacious pantograph tabletop to easily align your rolled patterns
- 4 bungee clamps to align every quilt to perfection
- Convenient trays for your longarm quilting tools

Ready, set, automate.

All it takes is a few simple steps, and the BERNINA Q-matic Longarm Quilting Automation System is set into motion. A BERNINA exclusive, this state-of-the-art system for automated quilting performs all the tedious tasks, freeing you up to bring your creative vision to life. It's the perfect accompaniment to the Q 24, Q 20, and Q 16 PLUS on frames.

Not only can you work on any pattern of any size at any angle, the Q-matic also delivers a perfect design first time, every time. Now planning out every detail of your quilt is a breeze. You can stitch out simple edge-to-edge designs or intricate custom patterns. And you can do automated or free-motion quilting. You can also combine digitized designs with free-hand

work. The multiple on-demand help functions will assist you in every step of creating and placing your quilting designs. The power to create what you want, how you want is in your hands.

So many features. So many ways to create.

- One-touch quick belt release system
- All-in-one touch screen with WiFi connectivity
- Art & Stitch quilt design and digitizing software included
- Simple switch between automated and free-motion quilting
- Sewhead interaction functions
- Q-matic available for both the BERNINA Studio and PRO Frames
- Compact belt drive system
- More than 600 designs included
- Import .bqm and .dxf file formats

"Q-Matic allows designs to be edited and placed precisely for quilting. It's magical."

*Amanda Murphy
Professional Quilter*



**Q 24 on
BERNINA PRO
Frame with
Q-matic**



Maximize the magic with these amazing Q Series frame accessories.

From enhancing ergonomics to preparing and positioning your quilt to mastering creative designs, the right accessories can take a quilting project from great to A-M-A-Z-I-N-G. And since BERNINA accessories can be added whenever you're ready, you can continue to take your quilted creations to new and exciting places.



Pantograph Kit

Includes everything you need to easily stitch beautiful edge-to-edge designs.



Ruler Work Kit

Use with a wide range of rulers for precise straight quilting & specialty shapes.



BERNINA Ruler Kits

Used with Adjustable Ruler Foot #72, #72S and #96.



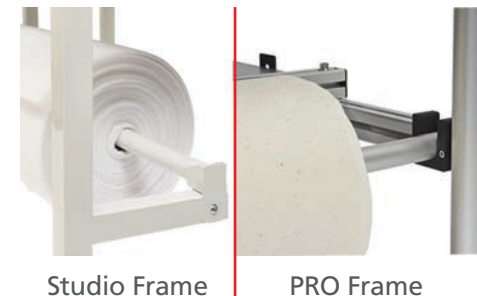
Frame Caster

Use with BERNINA PRO Frames for easy moving and repositioning of the frame.



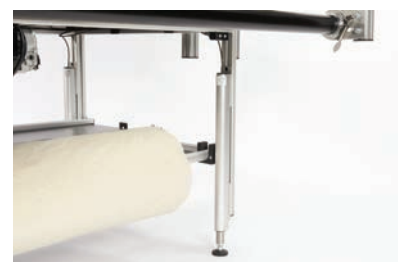
Mechanical Channel Locks

Mounted directly to the frame and carriage so it's easier for you to sew straighter, more precise lines.



Batting Rail/Roll Holder

Can be used on BERNINA Frames to conveniently store batting.



Hydraulic Lift

Adjusts frame height with just the touch of a button.



Additional Shelving

Provides extra storage for accessories underneath frame.



Palm Precision Handles

Mounted directly onto head for comfortable, controlled handling of the machine. Perfect for micro stippling.



Leaders for 5-foot Studio Frame

Made for BERNINA Studio Frame to attach the quilt to the quilt frame, for use with a 5-ft setup.



Zippered Leaders

Allows you to pin or baste fabric to the removed leader edge from another location, making it easy to switch projects.



Zippered Leaders Supplementary Kit

Contains three additional zipper parts for the take up, back, and top rails.

Get the most out of your Q Series longarm machine.

These exceptional BERNINA Accessories work beautifully with your Q Series Frame or Sit-down machine.

ACCESSORIES FOR THE LONGARM QUILTING MACHINE



Darning Foot #9 Multi-purpose hopping foot

Perfect for free-motion quilting, this foot comes standard with all BERNINA Q Series machines.



Embroidery Foot #15

Slight upward sole is recommended for appliqué and free-motion quilting.



The open sole design is great for appliqué and free-motion quilting.



Drop-Shaped Embroidery Foot #26

Recommended for dense quilting such as thread painting.



Quilting Foot #29

Perfect for free-motion quilting where there's filler designs and embellishments.



Free-Motion Couching Foot #43

Designed for appliqué with cords, yarn and ribbon up to 2mm in diameter.



Echo Quilting and CutWork Foot #44C

Good for echo & shadow quilting, free-motion quilting, thread painting and automated quilting.



Adjustable Ruler Foot with Slit #72S

Lets you sew along rulers to create lines, circles, feathers, and other decorative designs.



Adjustable Stippling Foot #73

Open toe simplifies free-motion quilting for small designs and detail work.



Adjustable Gliding Cup Foot #74

For free-motion, echo and shadow quilting, it aids in quilting around dimensional elements.



Ruler Foot #96

Free-motion foot used primarily in combination with 1/4" templates of acrylic glass.



Echo Quilting Clips

Use with Adjustable Ruler Foot #72S and #96 to create echo quilting patterns.



Couching Inserts

Use with Adjustable Ruler Foot #72S for yarn, cord, wool and felt couching & metallics.



Twin Needle Stitch Plate

Easily clips into place for decorative sewing with size 3 mm or 4 mm twin needles.



Cup Clip

Use with Foot #96 for quilting over thicker seams, embroidery motifs or appliques, it's ideal for pantograph and Q-matic.



Vertical Spool Holder

Gives you extra space for your favorite threads.



Needle Point Laser

Enables you to accurately place needle without guesswork or using the handwheel.

Silicone Fluid Thread Lubrication Unit

is recommended when working with metallic and loosely twisted threads.

Oil Pen Use regularly to ensure your longarm quilting machine runs smoothly.

USB Stick For storing data, quilt patterns and updated files.

ACCESSORIES FOR THE Q SERIES TABLES

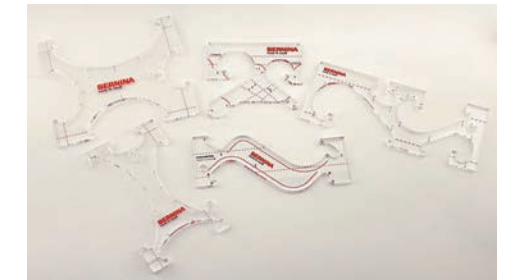


Gripper Rings give you more control while quilting, and help provide precise guiding

- Flat and wrinkle-free quilting
- Includes 8" and 11" gripper ring

Dust Cover Ideal for protecting your machine from dust when not in use.

- Compatible with Q 20, Q 16 PLUS and Q 16.



Ruler Kits for Sit-down Models

Contain rulers with different templates that vary in size and style.

- Easy and accurate ruler work
- Use with Adjustable Ruler Foot #72, #72S and Ruler Foot #96

BERNINA recommends threads from *Mettler*



made to create

BERNINA

bernina.com

© 2022 BERNINA of America