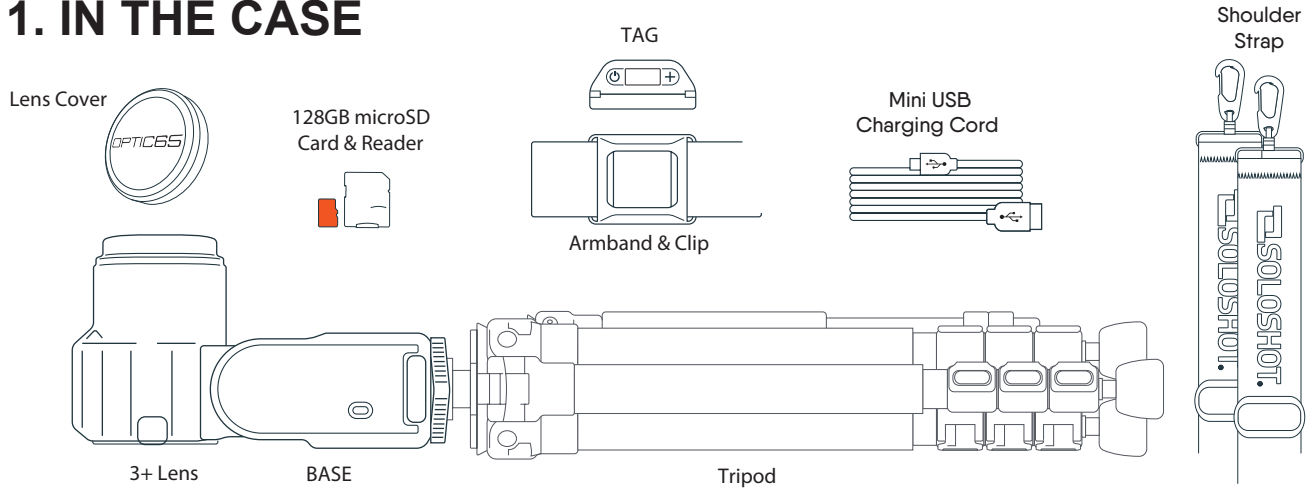
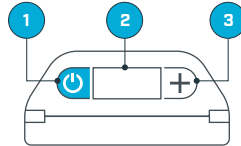


1. IN THE CASE



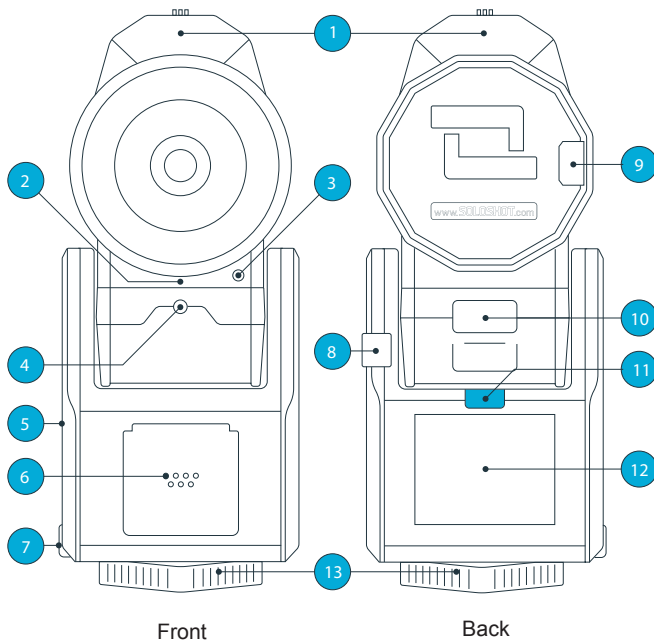
2. TAG

1. Power Button
2. OLED Screen
3. Function Button



NOTE - TAG comes already docked to your Base!
Make sure to remove the protective plastic wrap from the TAG before using!

3. BASE & LENS



1. 3+ Sensors - Keep Clear!
2. Mono Microphone
3. 3.5mm Auxiliary Jack
4. Directional LED - Blinks Green When Tracking
5. K-Lock Port (on side, lock not included)
6. Tag & Accessory Port
7. Mini USB Charging Port & Type USB Port (for Developers)
8. HDMI Out
9. Micro SD Card Slot (Orange 128GB card already installed)
10. Lens Release Button
11. BASE & LENS Power Button (Press for 3 seconds to turn on)
12. Touchscreen
13. Rubber Tripod Coupling (3/8" Tripod Mount Inside)

4. NOT INCLUDED - WALL POWER ADAPTED

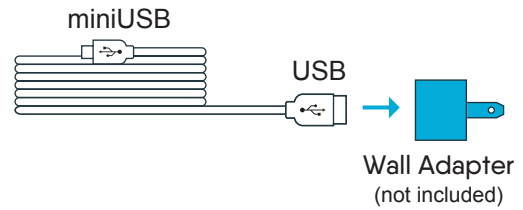
You will need a USB wall plug adapter suitable for your country with a 1.5 - 2A rating such as for Tablets. Charging a fully drained SOLOSHOT3+ will take approximately ~ 4-5 hours. For best results you may use a Qualcomm certified Quickcharge 2.0 or 3.0 adapter for ~30% faster charging (2.0 or 3.0).



Wall Adapter
(not included)

5. Assemble the Power Cord

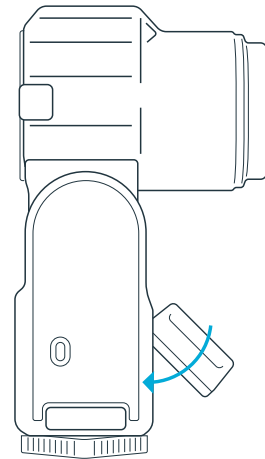
Plug the standard USB end of the cord into the standard socket on the wall adapter. The mini USB end of the cord goes into the SOLOSHOT3+ Base.



6. Docking your Tag

The TAG docks into the front port on the BASE to charge, pair and update. To dock your TAG to the BASE, hook the top of the TAG (buttons facing up) at a 45 degree angle to the front port of the BASE and then pressing the TAG into BASE until it snaps securely.

The TAG will charge automatically whenever the BASE is charging.



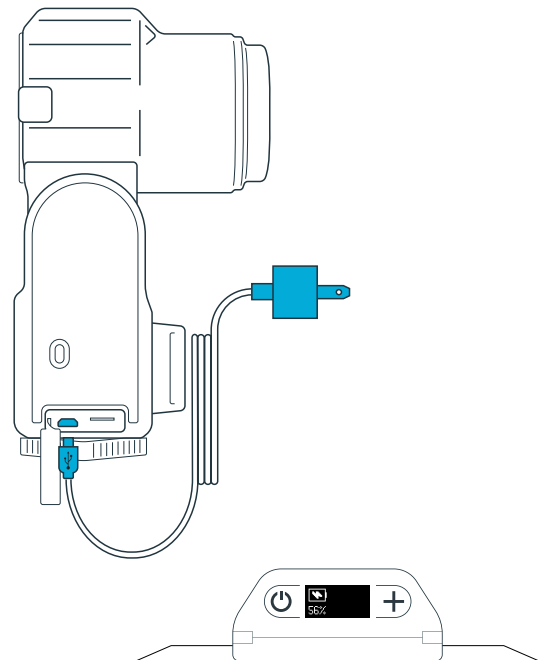
7. Plug in SOLOSHOT3+

Plug the **mini** USB end of the power cord into the **mini** USB socket on the Base, which is located under the long rubber door on the side of the Base.

Your BASE and TAG will show their charging screen when powered off and charging. The small LED at the top of the touchscreen will also turn red when charging and green when fully charged.

When powered on and charging, your BASE and TAG battery icons will display the bolt charging icon.

Charging time varies based on your wall adapter's power rating. 5V USB chargers with 1.5-2A rating should charge the BASE and TAG in 4-5 hours. Qualcomm certified Quickcharge 2.0 or 3.0 adapters should charge ~30% faster.



8. MORE MEMORY

Your SOLOSHOT3+ comes with a 128GB micro SD card pre-installed that can hold ~ 4 hours of 4k30, 1080p60 or 1080p120 video or 17 hours of 1080p30 video. You may use a micro SD reader (one included) or similar device for offloading video from the micro SD card to your computer.

If you require additional memory, please reference the table of approved cards below or visit SOLOSHOT.com.

Manufacturer	Model	Capacities (GB)
Sandisk	Extreme Pro	16, 32, 64
Sandisk	Extreme Plus	16, 32, 64, 128
Sandisk	Extreme	16, 32, 64, 128
Lexar	1000x	32, 64, 128
Lexar	633x	32, 64, 128
Samsung	Pro	32, 64, 128

9. ALTERNATIVE TRIPODS

Your SOLOSHOT3+ comes already connected to the custom SOLOSHOT tripod via the 3/8th inch threaded connector. Use the square rubber tripod adapter to make sure you BASE is securely connected to the tripod.

CAUTION! Make sure your SOLOSHOT is firmly connected to the tripod before each session. ONLY use the square rubber coupling to tighten or loosen your SOLOSHOT to the tripod! NEVER tighten or loosen your SOLOSHOT by turning the Base body as this may damage the high precision gear assembly inside your BASE.

Should you wish to use your SOLOSHOT3+ with a different tripod, such as a taller one, you may remove your SOLOSHOT from the tripod provided using the caution described above. **Make sure the tripod you use is at least as sturdy as the SOLOSHOT tripod provided!**

