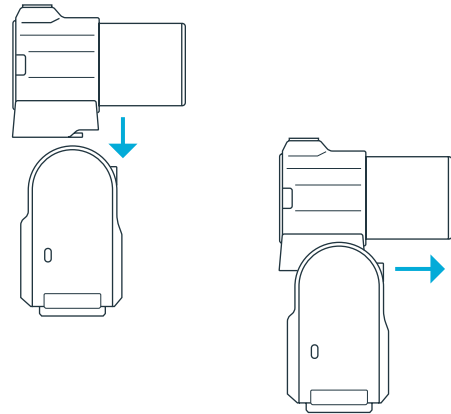


ASSEMBLY

1. Assemble the Camera

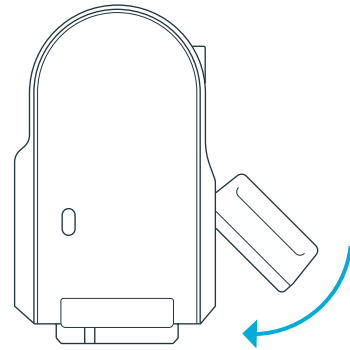
Dock the OpticX Camera Lens to the Base by guiding it down onto the top of the Base from above.

Then push the lens forward until it clicks securely into place.



2. Dock the Tag

Dock the Tag with buttons facing up, into the Tag Charger on the front of the Base, as shown.



3. Insert MicroSD Card

Insert an approved MicroSD (not included) into the side of the Camera Lens. You will hear a click when fully inserted.

IMPORTANT

Your SD card will be erased. Save any content beforehand. Visit soloshot.com/sdcards for a list of compatible SD cards.

