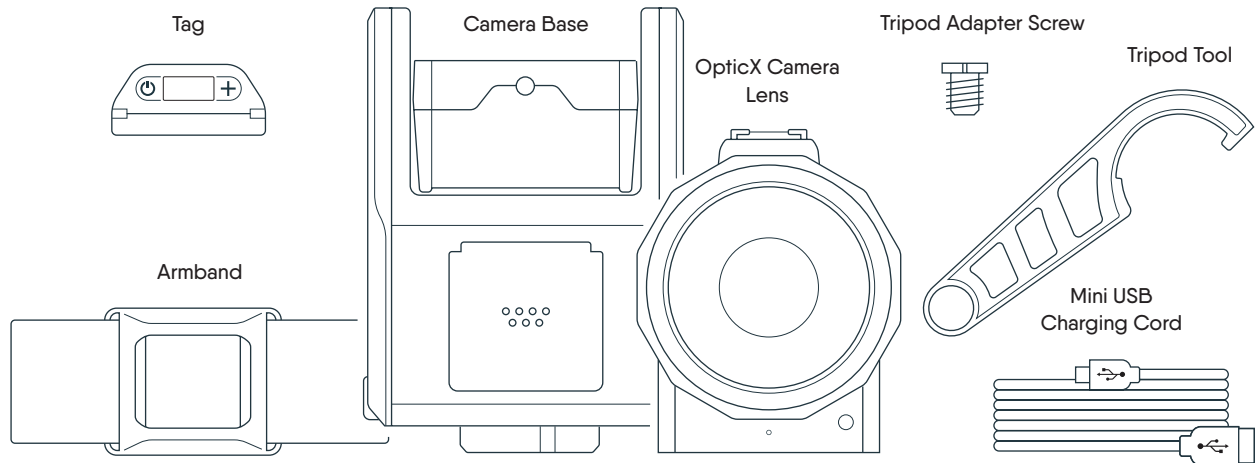


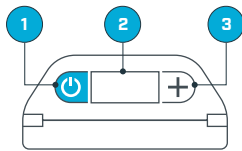
YOUR SOLOSHOT3

In the Box



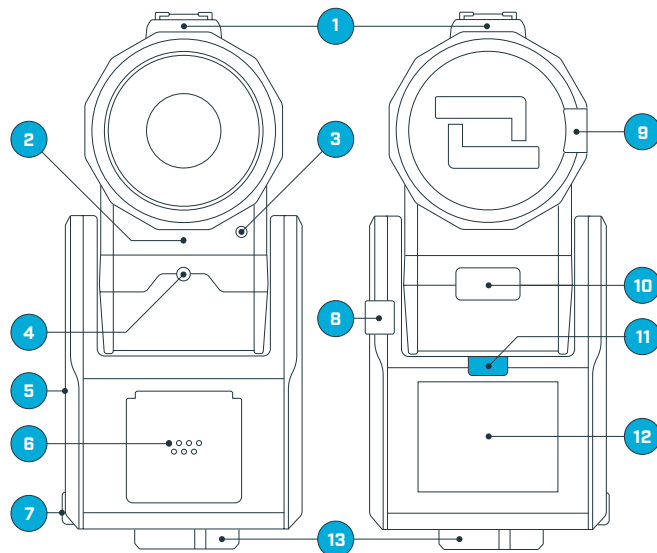
The Tag

1. Power Button
2. OLED Screen
3. Function Button



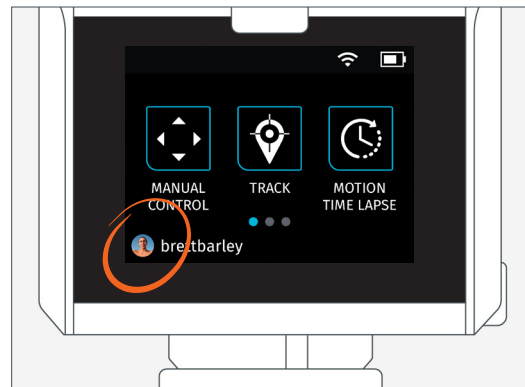
The Camera Base & OpticX Camera

1. Hot Shoe
2. Mono Mic
3. 3.5mm Auxiliary Jack
4. Indicator LED
5. K-Lock Slot
6. Tag Character
7. Mini USB Charging Port + USB Type A Port
8. HDMI Out
9. Micro SD Card Slot
10. Camera Release Button
11. Power Button
12. Touchscreen
13. 3/8" Tripod Mounting Head



Home Screen

Avatar and Username

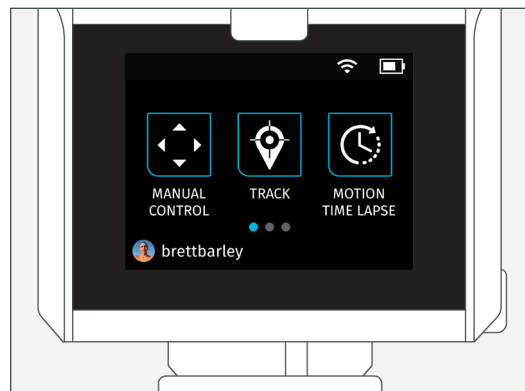


Page 1

Manual Control: Record or live stream without enabling automatic tracking.

Track: Start/stop tracking, toggle record on/off, trigger single photos or bursts, adjust tracking and camera settings, quickly manage your Tag(s), and live stream.

Time Lapse: Capture a series of photos at preselected intervals.

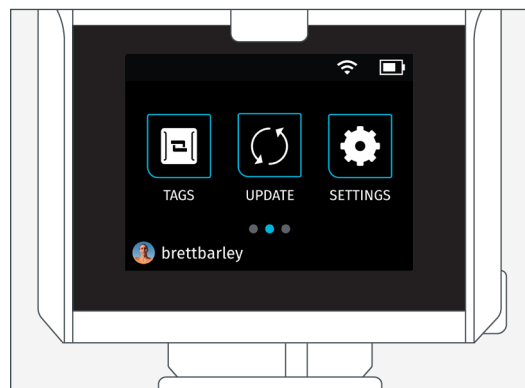


Page 2

Tags: Select Tags that you would like to track from the Tag Manager.

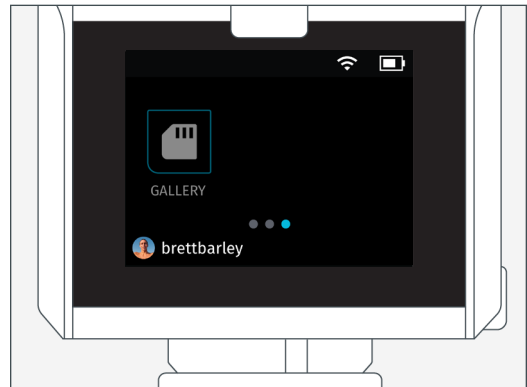
Settings: Manage Wi-Fi, format the SD card, access current software version and more.

Update: Install the most recent software updates on the Base, Tag and/or Camera. When updates are available, the user will be notified upon entering the Update App.



Page 3

Gallery: Playback your video and photos on the touchscreen. (Coming Soon)



Track App Viewfinder

Main Screen

1. Tag Manager

Displays how many Tags are being tracked. Tap to navigate to the Tag Manager.

2. Track

Start or stop tracking.

3. Record

Start or stop recording.

4. LIVE

Start or stop live streaming.

5. Status Bar

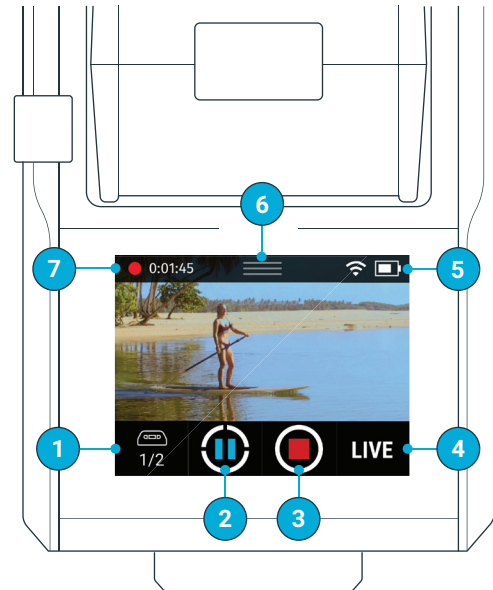
Displays Wi-Fi strength and battery level.

6. Pulldown Menu

Access the home screen, Wi-Fi, camera controls, and settings.

7. SD Card Indicator

Available SD Card Space and record time



Dropdown Window

8. SD Card Storage Space

Displays how much recording time or number of photos remain.

9. Home

Exits the Track App, ends tracking/recording and takes you back to the Home Screen.

10. Wi-Fi

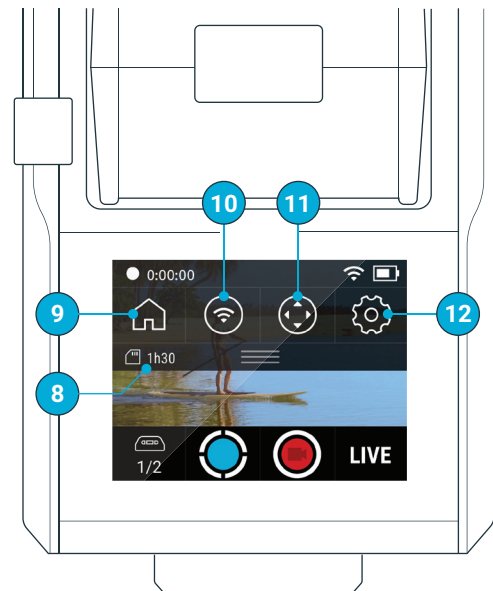
Opens WiFi settings.

11. Refine

Allows you to manually adjust the framing of the the subject in the viewfinder.

12. Settings

Opens the Settings window, allowing you to change camera mode and tracking settings.



Tag Screen

Display Screen

1. Battery Level

Displays the remaining battery level.

2. Tracking Status

Displays whether the TAG would like to be tracked.

3. GPS Status

Displays the status of the TAG's GPS signal.

4. Record

Displays if TAG would like to be recorded.

