



EDITOR & CREATOR  
*of* MID-CENTURY *ICONS*

# SO FAS



Fox 3-Seater / Cord Coll. - Creme / Ash 05  
366 Metal Armchair / Velvet Coll. - Red Brick / Gold Gloss / Oak 03  
Fox 3-Seater / Shine Velvet Coll. - Mustard / Ash 03

# Sofas

## 366 2-SEATER

### Story behind:

Meet the exquisitely comfortable 366 2-Seater inspired by the Iconic 366 Armchair. A great choice for couples and all those who like to cuddle. The 366 2-Seater is a complete match for both minimalistic, modern and sublime interiors.

**Original design:** Józef Chierowski, 1962

**Reedition:** 2014 by Agata Górka, based on the 366 Armchair

**Legs:** solid oak wood with brass finishing

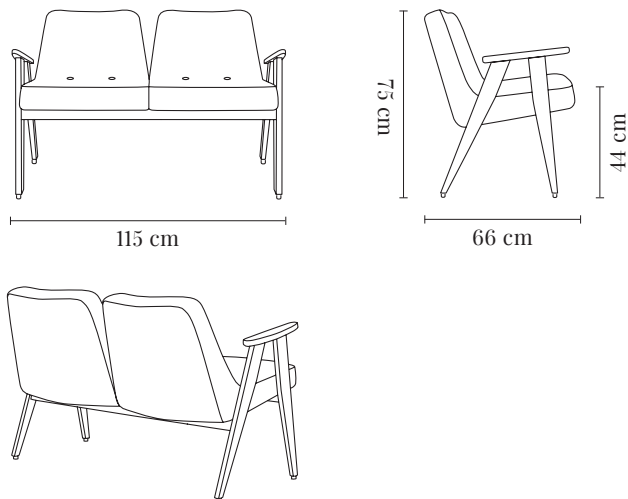
**Internal structure:** solid beech wood

**Seat:** zig zag springs, high resilience foam

**Contract:** norm passed EN 16139

**COM:** 1 pc = 2,6 x 1,4 m / 2+ pcs = 2,4 x 1,4 m

**COL:** 1 pc = 3,9 m2



**Width:** 115 cm

**Height:** 75 cm

**Depth:** 66 cm

**Seat height:** 44 cm

**Packaging dimensions:** 77 x 120 x 68 cm

**Delivery:** fully assembled furniture

**Net weight:** 13,6 kg

**Gross weight:** 17 kg

**100% designed and manufactured in Poland**



Velvet Coll. - Indigo / Oak 03



Velvet Coll. - Indigo / Oak 03



# Sofas

## 366 METAL 2-SEATER

### Story behind:

We created the 366 Metal 2-Seater based on the pattern of the 366 Metal Armchair, which was designed in the 1960s, but never manufactured. Thanks to a double dose of timeless design, this is an excellent choice for people who like nothing better than spending time together in their modern design apartment. Lightweight, extraordinary and minimalist - ideal solution for a variety of interiors.

**Original design:** Józef Chierowski, 1962

**Reedition:** 2017 by Agata Górka, based on the 366 Metal Armchair

**Legs:** black matt with wooden finishing

**Armrests:** solid oak wood

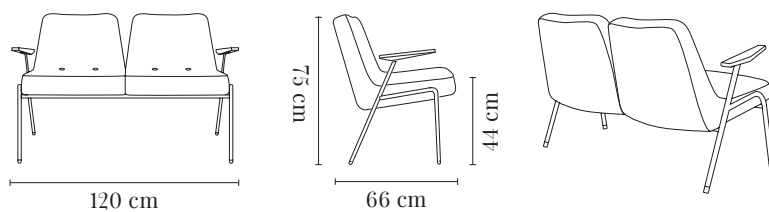
**Internal structure:** solid beech wood

**Seat interior:** zig zag springs, high resilience foam

**Contract:** norm passed EN 16139

**COM:** 1 pc = 2,6 x 1,4 / 2+ pcs = 2,4 x 1,4 m

**COL:** 1 pc = 3,9 m<sup>2</sup>



**Width:** 120 cm

**Height:** 75 cm

**Depth:** 66 cm

**Seat height:** 44 cm

**Packaging dimensions:** 78 x 126 x 70 cm

**Delivery:** fully assembled furniture

**Net weight:** 13,6 kg

**Gross weight:** 17 kg

**100% designed and manufactured in Poland**



Boucle Coll. - Snow / Black Matt / Oak 03



Boucle Coll. - Snow / Black Matt / Oak 03



# Sofas

## BUNNY 2-SEATER

### Story behind:

The Bunny 2-Seater was based on the Icon of Polish Design – the 300-177 Armchair, designed by Józef Chierowski. The small size and comfort make it ideal for apartments and commercial premises. The furniture from Bunny Series are made of solid oak with brass finishing.

**Original design:** 1960s

**Reedition:** 2015 by Agata Górka, based on the Bunny Armchair

**Legs:** solid oak wood with brass finishing

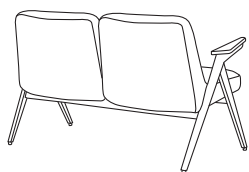
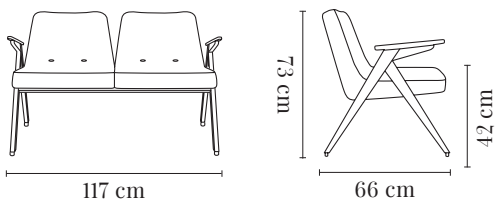
**Internal structure:** solid beech wood

**Seat interior:** zig zag springs, high resilience foam

**Contract:** norm passed EN 16139

**COM:** 1 pc = 2,6 x 1,4 m / 2+ pcs = 2,1 x 1,4 m

**COL:** 1 pc = 3,5 m<sup>2</sup>



**Width:** 117 cm

**Height:** 75 cm

**Depth:** 66 cm

**Seat height:** 42 cm

**Packaging dimensions:** 126 x 78 x 70 cm

**Delivery:** fully assembled furniture

**Net weight:** 13,6 kg

**Gross weight:** 17 kg

**100% designed and manufactured in Poland**



Velvet Coll. – Bottle Green / Oak 03



Velvet Coll. – Bottle Green / Oak 03





# Sofas

## FOX 2-SEATER

### Story behind:

Relax on the extremely comfortable Fox 2-Seater. Its design is based on the original design of the Fox Lounge Chair, which we have doubled. The wide comfortable seat and delicate wooden structure of the legs and armrests create a simple and clear form. Hand-selected solid ash wood finished with brass details gives the Fox 2-Seater a touch of refinement.

**Original design:** 1960s

**Reedition:** 2017 by Agata Górka, based on the Fox Lounge Chair

**Legs:** solid ash wood with brass finishing

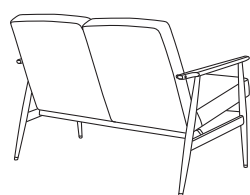
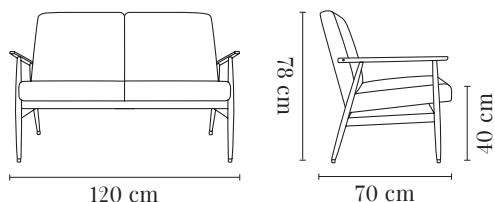
**Internal structure:** solid beech wood

**Seat interior:** zig zag springs, high resilience foam

**Contract:** norm passed EN 16139

**COM:** 1 pc = 2,7 x 1,4 m / 2+ pcs = 2,6 x 1,4 m

**COL:** 1 pc = 4 m<sup>2</sup>



**Width:** 120 cm

**Height:** 78 cm

**Depth:** 70 cm

**Seat height:** 40 cm

**Packaging dimensions:** 82 x 124 x 74 cm

**Delivery:** fully assembled furniture

**Net weight:** 13,6 kg

**Gross weight:** 17 kg

**100% designed and manufactured in Poland**



Shine Velvet Coll. - Mustard / Ash 03



Shine Velvet Coll. - Mustard / Ash 03



# Sofas

## FOX SOFA

### Story behind:

Relax on the extremely comfortable Fox Sofa. Its design is based on the original design of the Fox Lounge Chair, which we have doubled. The wide comfortable seat and delicate wooden structure of the legs and armrests create a simple and clear form. Hand-selected solid ash wood finished with brass details gives the Fox Sofa a touch of refinement.

**Original design:** 1960s

**Reedition:** 2017 by Agata Górką, based on the Fox Lounge Chair

**Legs:** solid ash wood with brass finishing

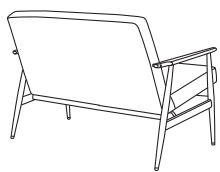
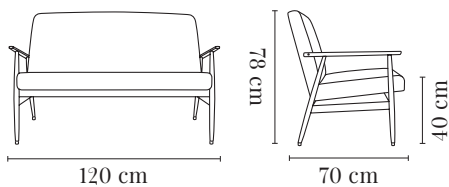
**Internal structure:** solid beech wood

**Seat interior:** zig zag springs, high resilience foam

**Contract:** norm passed EN 16139

**COM:** 1 pc = 3,4 x 1,4 m / 2+ pcs = 2,7 x 1,4 m

**COL:** 1 pc = 4,5 m<sup>2</sup>



**Width:** 120 cm

**Height:** 78 cm

**Depth:** 70 cm

**Seat height:** 40 cm

**Packaging dimensions:** 82 x 124 x 74 cm

**Delivery:** fully assembled furniture

**Net weight:** 13,6 kg

**Gross weight:** 17 kg

**100% designed and produced in Poland**



Coco Coll. - Creme / Ash 03



Coco Coll. - Creme / Ash 03

# 366 3-SEATER

## Story behind:

Meet the exquisitely comfortable 366 3-Seater inspired by an Iconic 366 Armchair. 3-Seater sofa design is based on the 366 Armchair – an Iconic Polish armchair designed by Józef Chierowski in 1962. It will become an ideal complement to vintage interiors, but it will also look great in a modern space adding a touch of nostalgia to it.

**Original design:** Józef Chierowski, 1962

**Reedition:** 2014 by Agata Górka, based on the 366 Armchair

**Legs:** solid oak wood with brass finishing

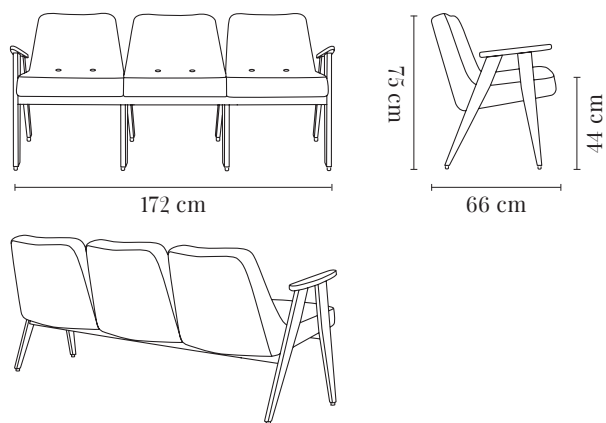
**Internal structure:** solid beech wood

**Seat Interior:** zig zag springs, high resilience foam

**Contract:** norm passed EN 16139

**COM:** 1 pc = 3,9 x 1,4 m / 2+ pcs = 3,5 x 1,4 m

**COL:** 1 pc = 5,9 m<sup>2</sup>



**Width:** 172 cm

**Height:** 75 cm

**Depth:** 66 cm

**Seat height:** 44 cm

**Packaging dimensions:** placed on a pallet

**Delivery:** fully assembled furniture

**Net weight:** 21,6 kg

**Gross weight:** 27 kg

**100% designed and manufactured in Poland**



Velvet Coll. - Olive / Oak 03



Velvet Coll. - Olive / Oak 03

# Sofas

## FOX CLUB SOFA

### Story behind:

Relax on the extremely comfortable Fox Club Sofa.

Its design is based on the original design of the Fox Lounge Chair, which we have doubled. Hand-selected solid ash wood finished with brass details gives the Fox Club Sofa a touch of refinement.

**Original design:** 1960s

**Reedition:** 2017 by Agata Górka,

based on the Fox Lounge Chair

**Legs:** solid ash wood with brass finishing

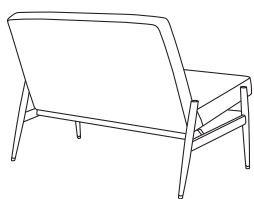
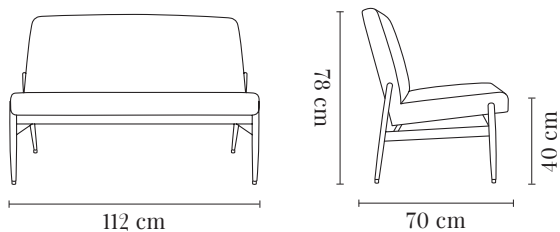
**Internal structure:** solid beech wood

**Seat interior:** zig zag springs, high resilience foam

**Contract:** norm passed EN 16139

**COM:** 1 pc = 3,4 x 1,4 m / 2+ pcs = 2,7 x 1,4 m

**COL:** 1 pc = 4,5 m<sup>2</sup>



**Width:** 112 cm

**Height:** 78 cm

**Depth:** 70 cm

**Seat height:** 40 cm

**Packaging dimensions:** 80 x 120 x 74 cm

**Delivery:** fully assembled furniture

**Net weight:** 12,8 kg

**Gross weight:** 16 kg

**100% designed and manufactured in Poland**



Velvet Coll. - Olive / Ash 03



Velvet Coll. - Olive / Ash 03



# Sofas

## FOX LONG SOFA

### Story behind:

Relax on the extremely comfortable Fox Long Sofa. Its design is based on the original design of the Fox Lounge Chair, which we have doubled. The wide comfortable seat and delicate wooden structure of the legs and armrests create a simple and clear form. The sofa is made of hand-selected solid ash wood, finished with brass details.

**Original design:** 1960s

**Reedition:** 2017 by Agata Górká,  
based on the Fox Lounge Chair

**Legs:** solid ash wood with brass finishing

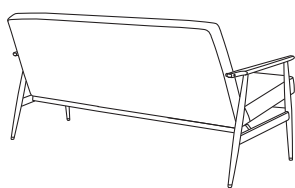
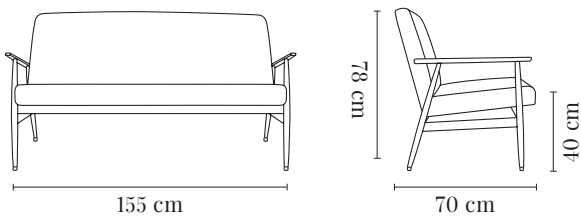
**Internal structure:** solid beech wood

**Seat interior:** zig zag springs, high resilience foam

**Contract:** norm passed EN 16139

**COM:** 1 pc = 4 x 1,4 m / 2+ pcs = 3,6 x 1,4 m

**COL:** 1 pc = 6 m<sup>2</sup>



**Width:** 155 cm

**Height:** 78 cm

**Depth:** 70 cm

**Seat height:** 40 cm

**Packaging dimensions:** 80 x 120 x 74 cm

**Delivery:** fully assembled furniture

**Net weight:** 13,6 kg

**Gross weight:** 17 kg

**100% designed and manufactured in Poland**



Shine Velvet Coll. - Sierra / Ash 03



Shine Velvet Coll. - Sierra / Ash 03





# Sofas

## FOX 3-SEATER

### Story behind:

Relax on the extremely comfortable Fox 3-Seater. Its design is based on the original design of the Fox Lounge Chair, which we have extended. Hand-selected solid ash wood finished with brass details gives the Fox 3-Seater a touch of refinement.

**Original design:** 1960s

**Reedition:** 2017 by Agata Górka,  
based on the Fox Lounge Chair

**Legs:** solid ash wood with brass finishing

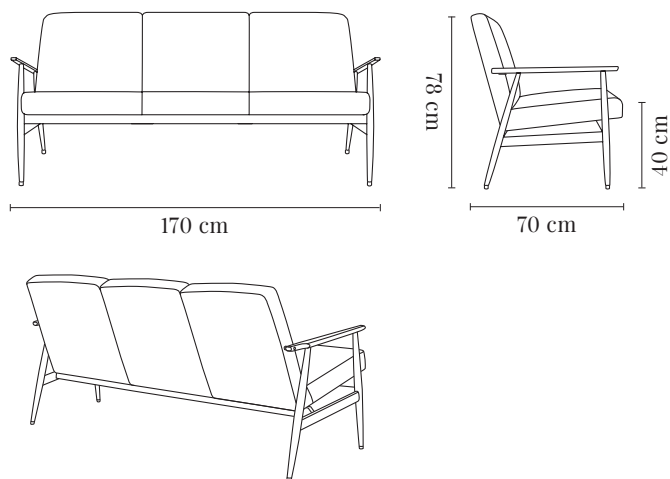
**Internal structure:** solid beech wood

**Seat Interior:** zig zag springs, high resilience foam

**Contract:** norm passed EN 16139

**COM:** 1 pc = 4,1 x 1,4 m / 2+ pcs = 3,9 x 1,4 m

**COL:** 1 pc = 6,6 m<sup>2</sup>



**Width:** 170 cm

**Height:** 78 cm

**Depth:** 70 cm

**Seat height:** 40 cm

**Packaging dimensions:** placed on a pallet

**Delivery:** fully assembled furniture

**Net weight:** 21,6 kg

**Gross weight:** 27 kg

**100% designed and manufactured in Poland**



Cord Coll. - Creme / Ash 03



Cord Coll. - Creme / Ash 03



# Sofas

## STEFAN 2-SEATER

### Story behind:

The Stefan 2-Seater has been created based on the Icon of Polish Design – The Stefan Lounge Chair – designed in 1962. The frame of the 2-Seater is made of solid oak wood, while the backrest is decorated with wooden tiers. The upholstery in this case is formed by 4 loose rectangular cushions. The Stefan Lounge Chair was a Polish export commodity and thus represented the upper class among furniture manufactured at the time. The furniture has a modernist form and a simple design, enriched by gently contoured armrests, reminiscent of classics of Danish design.

**Original design:** 1962

**Reedition:** 2022 by Agata Górka,

based on the Stefan Lounge Chair 300-139

**Legs:** solid oak wood with brass finishing

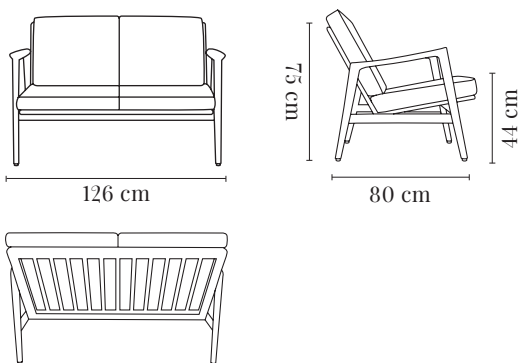
**Backrest:** solid oak wood

**Seat:** high resilience foam

**Contract:** norm passed EN 16139

**COM:** 1 pc = 2,8 x 1,4 m / 2+ pcs = 2,7 x 1,4 m

**COL:** 1 pc = 3,4 m<sup>2</sup>



**Width:** 126 cm

**Height:** 75 cm

**Depth:** 80 cm

**Seat height:** 44 cm

**Packaging dimensions:** placed on a pallet

**Delivery:** fully assembled furniture

**Net weight:** 25 kg

**100% designed and manufactured in Poland**



Boucle Coll. - Snow / Oak 03



Boucle Coll. - Snow / Oak 03



# Sofas

## STEFAN SOFA

### Story behind:

The Stefan Sofa has been created based on the Icon of Polish Design – The Stefan Lounge Chair – designed in 1962. The frame of the Sofa is made of solid oak wood, while the backrest is decorated with wooden tiers. The upholstery in this case is formed by rectangular cushions. The Stefan Lounge Chair was a Polish export commodity and thus represented the upper class among furniture manufactured at the time. The sofa has a modernist form and a simple design, enriched by gently contoured armrests, reminiscent of classics of Danish design.

**Original design:** 1962

**Reedition:** 2022 by Agata Górka,  
based on the Stefan Lounge Chair 300-139

**Legs:** solid oak wood with brass finishing

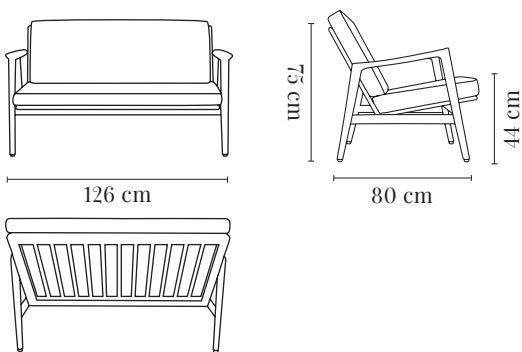
**Backrest:** solid oak wood

**Seat:** high resilience foam

**Contract:** norm passed EN 16139

**COM:** 1 pc = 2,8 x 1,4 m / 2+ pcs = 2 x 1,4 m

**COL:** 1 pc = 4 m<sup>2</sup>



**Width:** 126 cm

**Height:** 75 cm

**Depth:** 80 cm

**Seat height:** 44 cm

**Packaging dimensions:** placed on a pallet

**Delivery:** fully assembled furniture

**Net weight:** 25 kg

**100% designed and manufactured in Poland**



Boucle Coll. - Snow / Oak 03



Boucle Coll. - Snow / Oak 03



# Sofas

## FOX METAL 2-SEATER

### Story behind:

The Fox 2-Seater with a metal finish is a contemporary version of the Iconic Fox Lounge Chair that differs from the original by the material of which the structure is made. Divided into 2 parts, the seat clearly reflects the relationship with the classic Fox Lounge Chair. The metal finish gives the Fox Metal 2-Seater an expressive character that still amazes.

**Original design:** 1960s

**Reedition:** 2021 by Maciek Cypryk, based on the design of the Fox Metal Lounge Chair

**Legs:** black matt

**Armrests:** solid ash wood

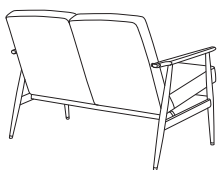
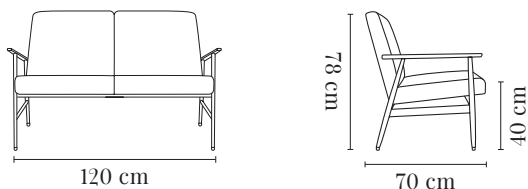
**Internal structure:** solid beech wood

**Seat interior:** zig zag springs, high resilience foam

**Contract:** norm passed EN 16139

**COM:** 1 pc = 3,4 x 1,4 m / 2+ pcs = 2,7 x 1,4 m

**COL:** 1 pc = 4,5 m<sup>2</sup>



**Width:** 120 cm

**Height:** 78 cm

**Depth:** 70 cm

**Seat height:** 40 cm

**Package dimensions:** 124 x 82 x 74 cm

**Delivery:** fully assembled furniture

**Net weight:** 13,6 kg

**100% designed and manufactured in Poland**



Velvet Coll. - Olive / Black Matt / Ash 03



Velvet Coll. - Olive / Black Matt / Ash 03

# FOX METAL SOFA

## Story behind:

The Fox Sofa with a metal finish is a contemporary version of the iconic Fox Lounge Chair that differs from the original by the material of which the structure is made. Divided into 2 parts, the seat clearly reflects the relationship with the classic Fox Lounge Chair. The metal finish gives the Fox Metal Sofa an expressive character that still amazes.

**Original design:** 1960s

**Reedition:** 2021 by Maciek Cypriak, based on the design of the Fox Metal Lounge Chair

**Legs:** black matt

**Armrests:** solid ash wood

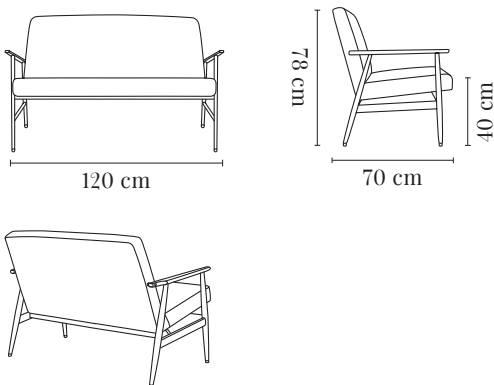
**Internal structure:** solid beech wood

**Seat interior:** zig zag springs, high resilience foam

**Contract:** norm passed EN 16139

**COM:** 1 pc = 3,4 x 1,4 m / 2+ pcs = 2,7 x 1,4 m

**COL:** 1 pc = 4,5 m<sup>2</sup>



**Width:** 120 cm

**Height:** 78 cm

**Depth:** 70 cm

**Seat height:** 40 cm

**Package dimensions:** 124 x 82 x 74 cm

**Delivery:** fully assembled furniture

**Net weight:** 13,6 kg

**100% designed and manufactured in Poland**



Boucle Coll. - Denim / Black Matt / Ash 03



Boucle Coll. - Denim / Black Matt / Ash 03



# Contacts

## B2C

E [hello@366concept.com](mailto:hello@366concept.com)

M + 48 570 480 190

## B2B & ARCHITECTS

E [business@366concept.com](mailto:business@366concept.com)

M + 48 533 326 366

## OFFICE & SHOWROOM

E [hello@366concept.com](mailto:hello@366concept.com)

M + 48 570 480 190

W [366concept.com](http://366concept.com)

A Bagatela 10/5, 00-585 Warsaw, Poland

## PRESS

E [pr@366concept.com](mailto:pr@366concept.com)

## MARKETING

E [marketing@366concept.com](mailto:marketing@366concept.com)

## FOUNDERS

Agata Górka

E [agata@366concept.com](mailto:agata@366concept.com)

M + 48 502 251 616

Maciek Cypryk

E [maciek@366concept.com](mailto:maciek@366concept.com)

---

### ART DIRECTION

Agata Górka - 366 Concept

### PICTURE CREDITS

366 Concept - Furniture Icons

If we have inadvertently used material without acknowledgement, we will correct the omission immediately upon notification.

No part of this catalog may be reproduced without prior written permission from 366 Concept - Furniture Icons.

© 2022, 366 Concept - Furniture Icons. All rights reserved.