

HAND CRAFTED AUDIOPHILE SPEAKER

**STEEG**

**MASTER STROKE - HAND CRAFTED**

Italy

**mss 1    mss 3    mss b**

DEVELOPED IN ITALY BY GT TRADING

# MASTER STROKE mss 1

## AUDIOPHILE SERIES.HIGH END SQ TWEETER

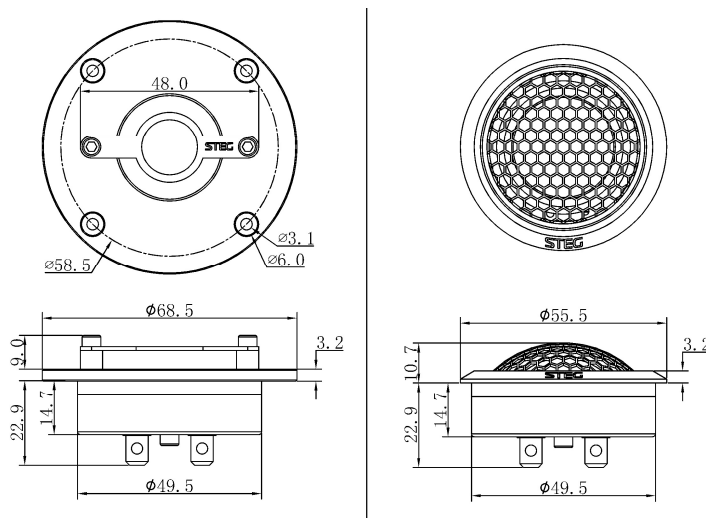


### Specification

Speaker Size	2.7 inch/2.2 inch	
Impedance	Z	4Ω
DC resistance	Re	3.6Ω
Voice coil dimension	∅	25.46mm
Voice coil inductance	Le	0,1 mH
Voice coil former/VCF	Aluminum avv.Class H Copper Basket : Solid Aluminum	
Dome material	Dm	Graphene
Magnet system	Ms	Neodymium
Net weight	Lb	0.12kg/0.104kg
Transducer's suspension Qms	Qms	1.968
Transducer's suspension Qts	Qts	1.058
System	N/A	Rephased
Suspension cone	Sc	Silk
Resonance frequency	Fs	1150 Hz
Frequency response	Fr	1.3 kHz-22 kHz
Efficiency 1 W /1 m	SPL	90 dB
Power rating/Hi-pass 1500Hz	RMS min.	30w

### Dimensions

All dimensions noted in mm



Recommended Frequency Cut: high pass up to 1500Hz  
The cuts and slopes refer to these data according to the applied power and the position of the speaker, so we can not set a reliable standard.

# MASTER STROKE MSS 3

AUDIOPHILE SERIES. HIGH END SQ MIDRANGE

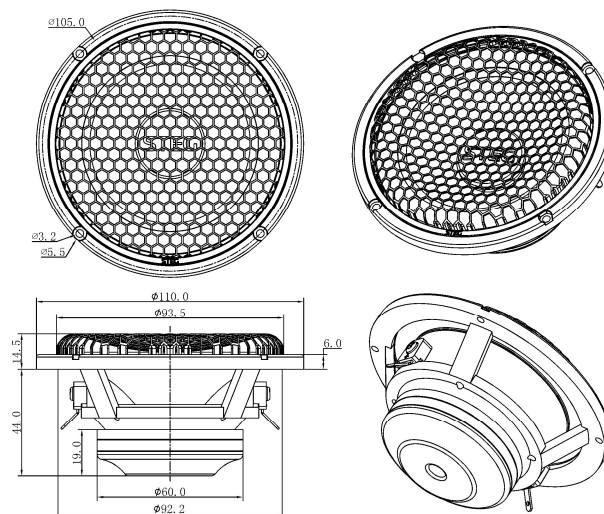


## Specification

Speaker Size	4.3 inch	
Impedance	Z	4Ω
DC resistance	Re	3.6Ω
Voice coil dimension	∅	25.5mm
Voice coil inductance	Le	0.09 mH
Voice coil former/VCF	Kapton CCAW	
Membrane material	Carbon fiber loaded with resin	
Magnet system	Ms	Neodymium
Net weight	Lb	0.36kg
Transducer's suspension Qms	Qms	6.08
Transducer's suspension Qts	Qts	0.65
Motor strength	Bl	3.76
Centering device	Cd	Konex
Suspension cone	Sc	50sh rubber
Resonance frequency	Fs	97 Hz
Frequency response	Fr	100 Hz-12 kHz
Efficiency 1 W /1 m	SPL	86 dB
Power rating/Hi-pass 1500Hz	RMS max.	70W

## Dimensions

All dimensions noted in mm



## Recommended Frequency Cut:

high pass up to 10k Hz low pass from 100Hz

The cuts and slopes refer to these data according to the applied power and the position of the speaker, so we can not set a reliable standard.

Radiation mass load	Mms	4.74g
Force exerted suspension	Cms	568 umN
Volume air compressed	Vas	2.04 Ltr
Surface area cone	Sd	50 cm <sup>2</sup>
Maximum Linear Excursion	Xmax	3 mm

I prodotti STEG ([www.gt-trading.it](http://www.gt-trading.it)) sono costruiti e distribuiti da G.T. Trading di Siliato Salvatore, Via Guazzi N°5/C - Tavernelle di Serrungarina 61035 (PU), tel. +39 0721 715289, fax +39 0721 715289, Web [www.gt-trading.it](http://www.gt-trading.it) email : [info@gt-trading.it](mailto:info@gt-trading.it)



# MASTER STROKE mss b

AUDIOPHILE SERIES. HIGH END SQ WOOFER

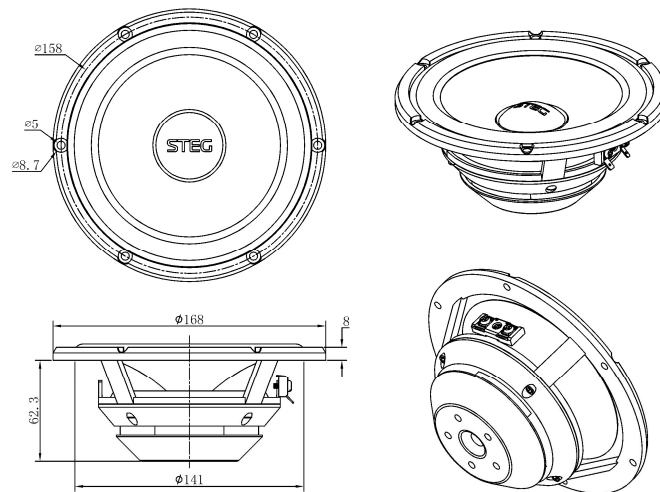


## Specification

Speaker Size	6.6 inch	
Impedance	Z	4Ω
DC resistance	Re	3.6Ω
Voice coil dimension	∅	25.5mm
Voice coil inductance	Le	0.25 mH
Voice coil former/VCF	BASV 1-EISVV	
Membrane material	Carbon fiber loaded with resin	
Magnet system	Ms	Neodymium
Net weight	Lb	1.38kg
Transducer's suspension Qms	Qms	6.64
Transducer's suspension Qts	Qts	0.81
Motor strength	Bl	4.9
Centering device	Cd	Konex
Suspension cone	Sc	55sh rubber
Resonance frequency	Fs	68 Hz
Frequency response	Fr	60Hz-4.5kHz
Efficiency 1 W /1 m	SPL	87 dB
Power rating/Hi-pass 150Hz	RMS max.	200W

## Dimensions

All dimensions noted in mm



Recommended Frequency Cut: high pass up to 4.5k Hz  
The cuts and slopes refer to these data according to the applied power and the position of the speaker, so we can not set a reliable standard.

Radiation mass load	Mms	14.6 g
Force exerted suspension	Cms	374 μmN
Volume air compressed	Vas	14.5 Ltr
Surface area cone	Sd	138.9 cm <sup>2</sup>
Maximum Linear Excursion	Xmax	6.2 mm

I prodotti STEG ([www.gt-trading.it](http://www.gt-trading.it)) sono costruiti e distribuiti da G.T. Trading di Siliato Salvatore, Via Guazzi N°5/C - Tavernelle di Serrungarina 61035 (PU), tel. +39 0721 715289, fax +39 0721 715289, Web [www.gt-trading.it](http://www.gt-trading.it) email : [info@gt-trading.it](mailto:info@gt-trading.it)