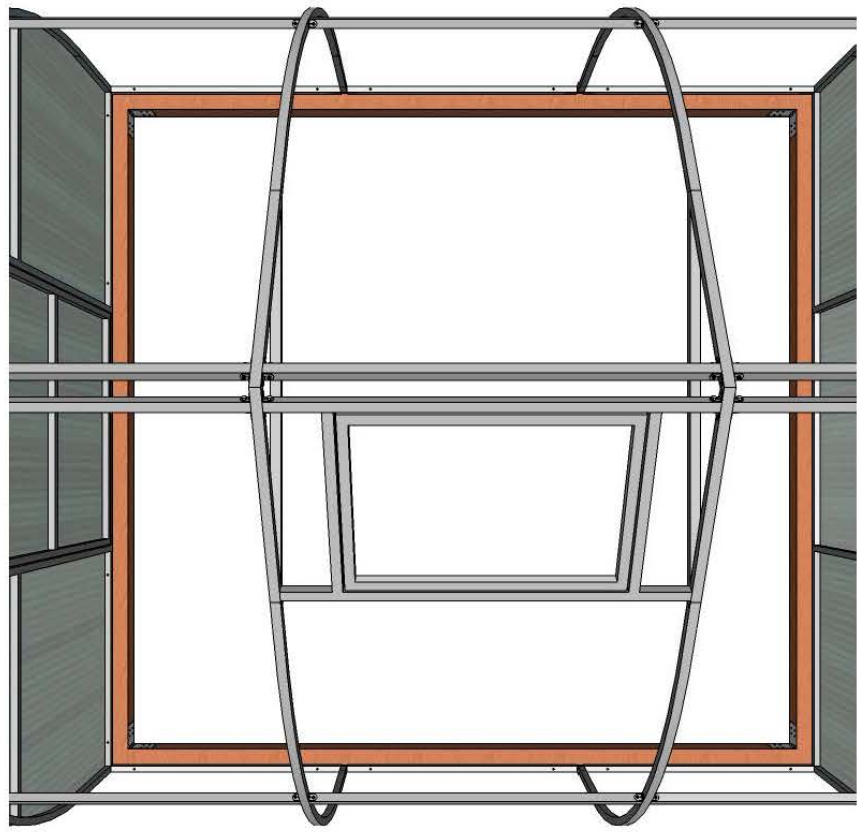
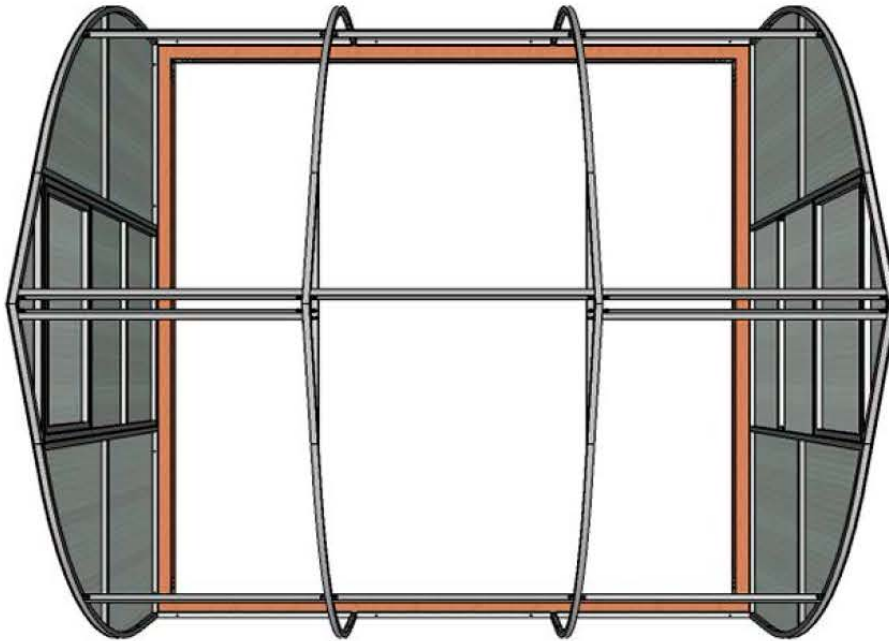
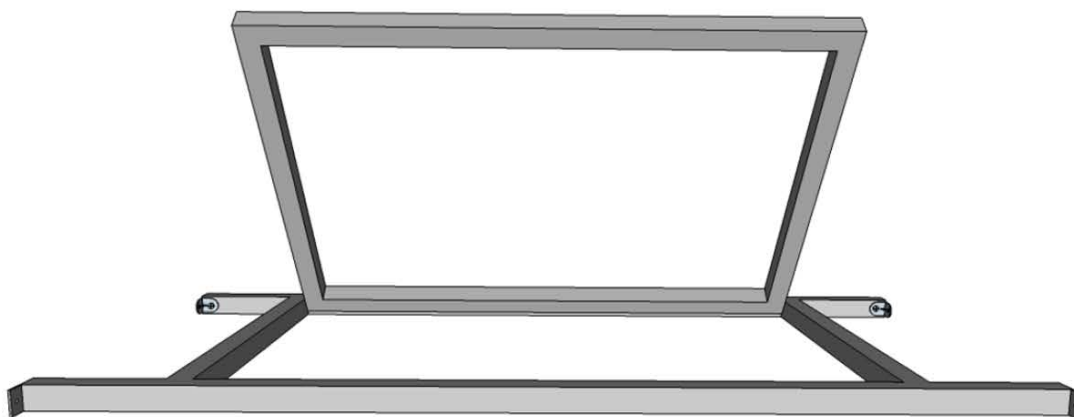
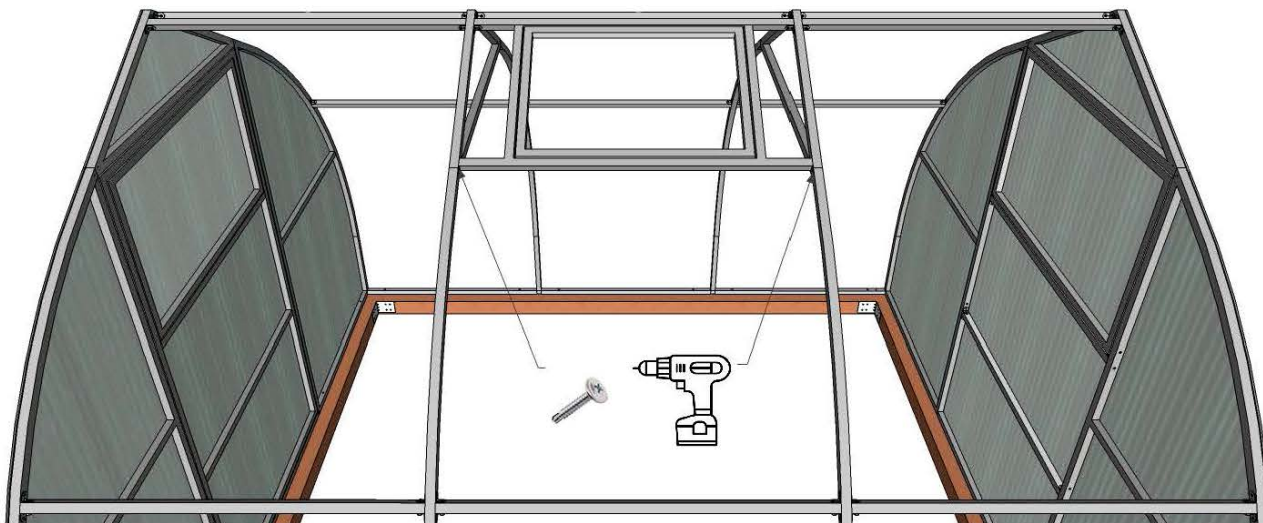


WINDOW INSALLATION

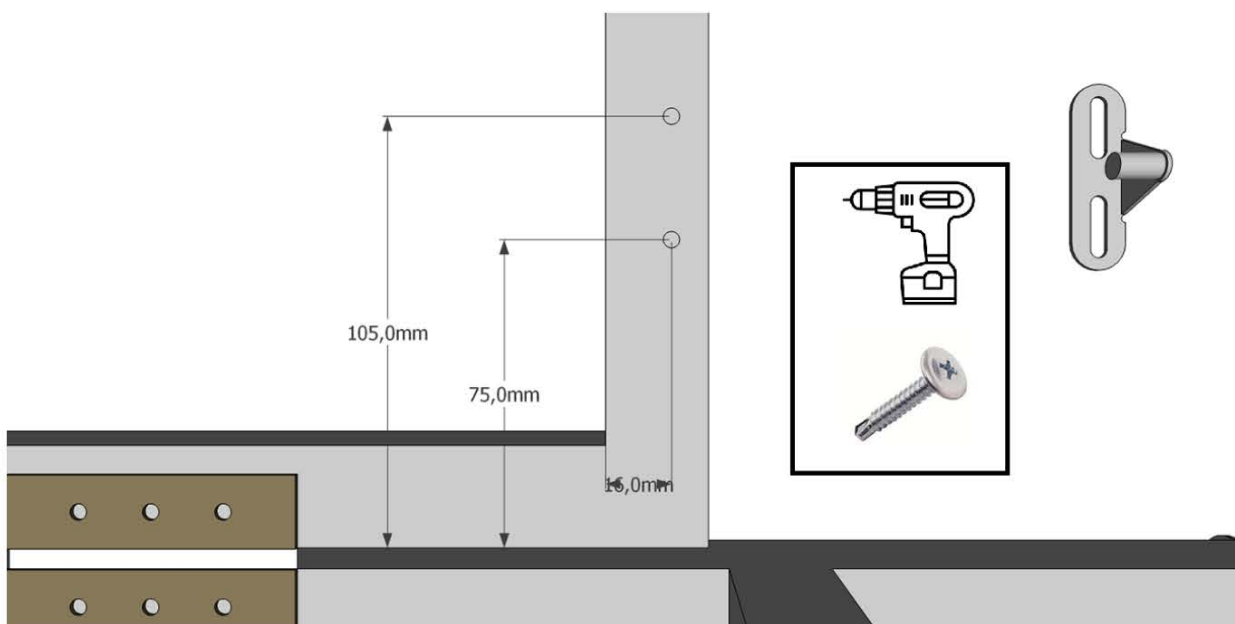
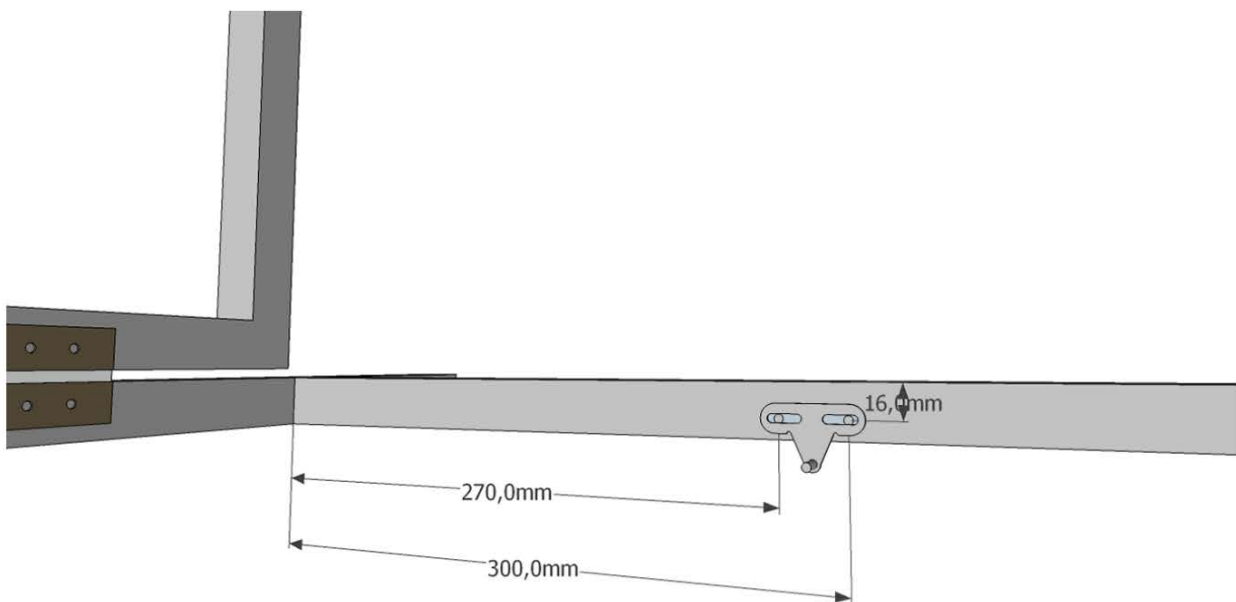
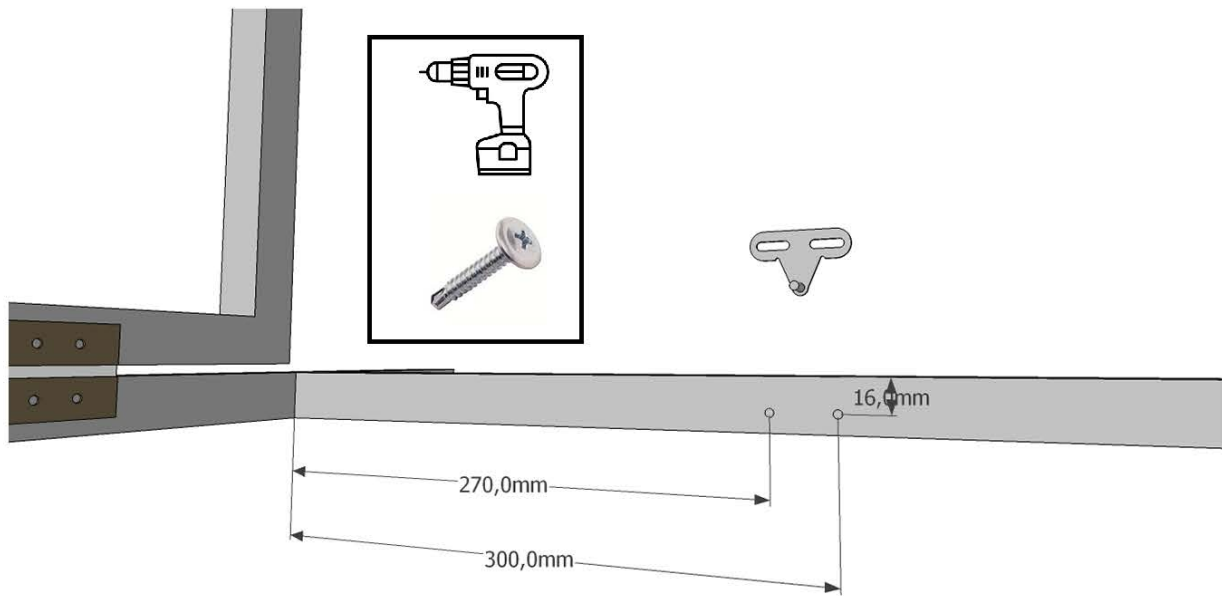
1. In the process of assembling the frame, before installing the side polycarbonate sheets, install the window frame as shown in the picture below.

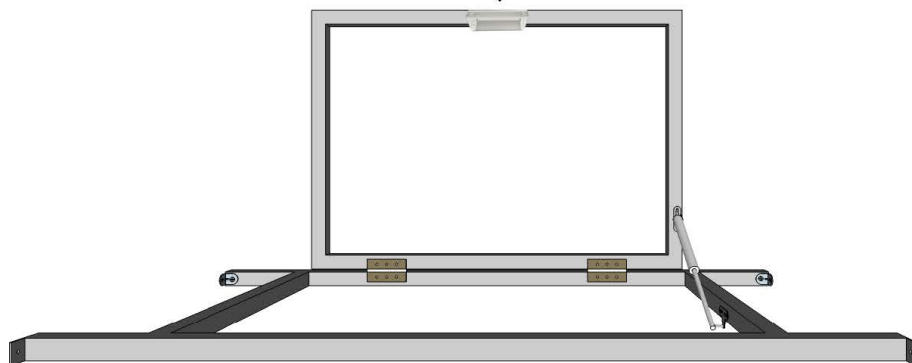
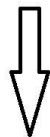
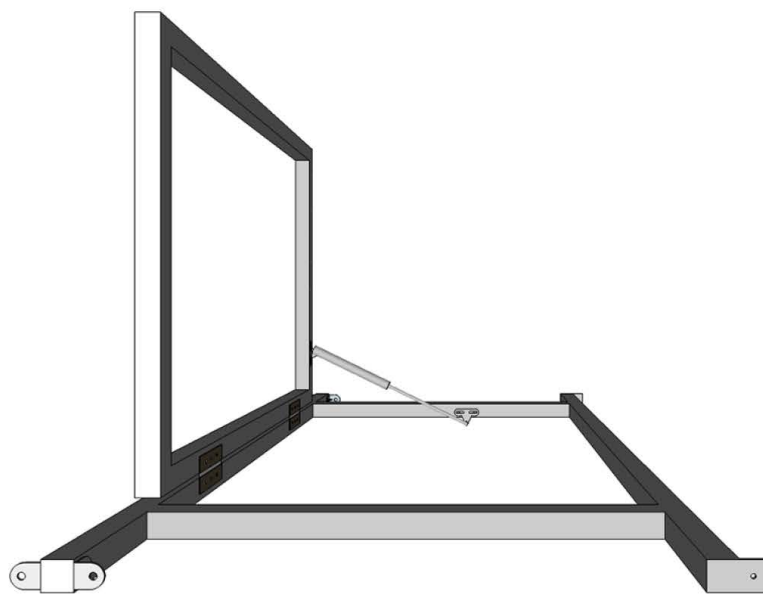
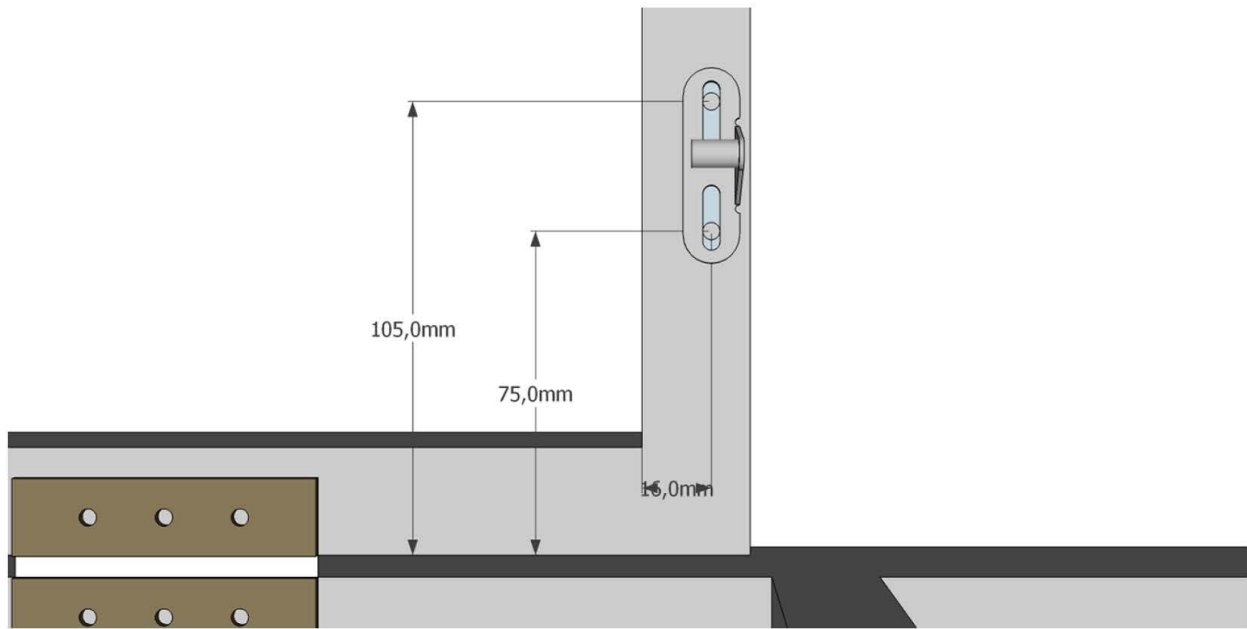


2. Attach the window frame to the vertical Studs #3 with the Countersunk screw 6x35mm #9 and Nut M6 #10.



3. Attach the Lift support #38 as shown in the next following pictures below.

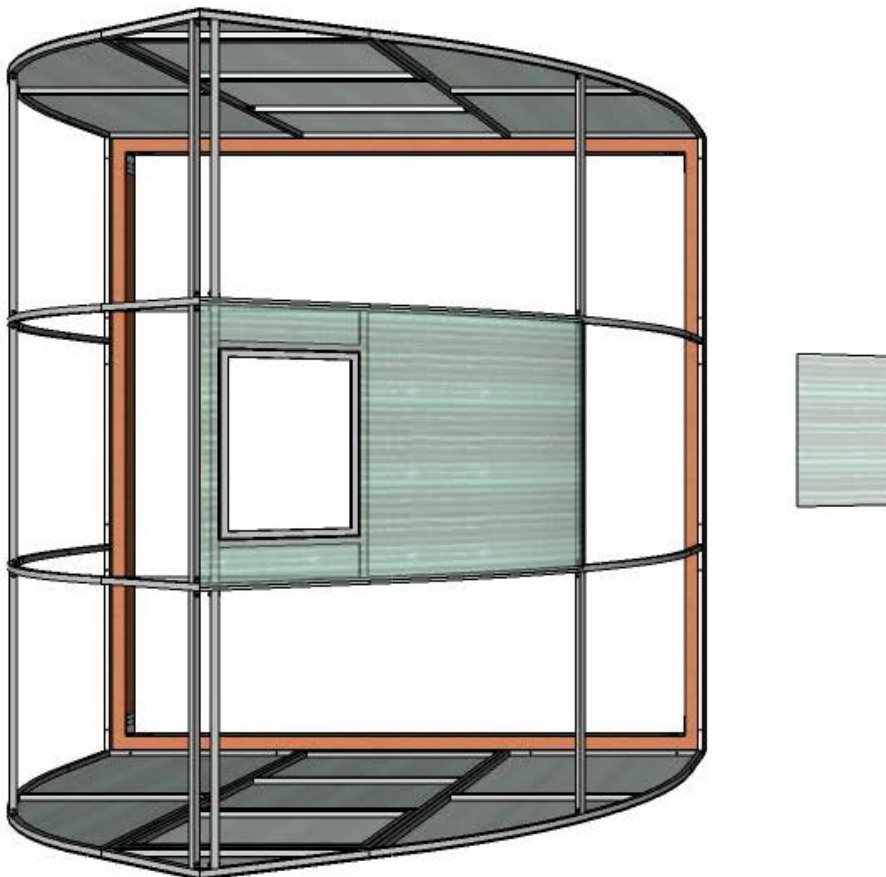
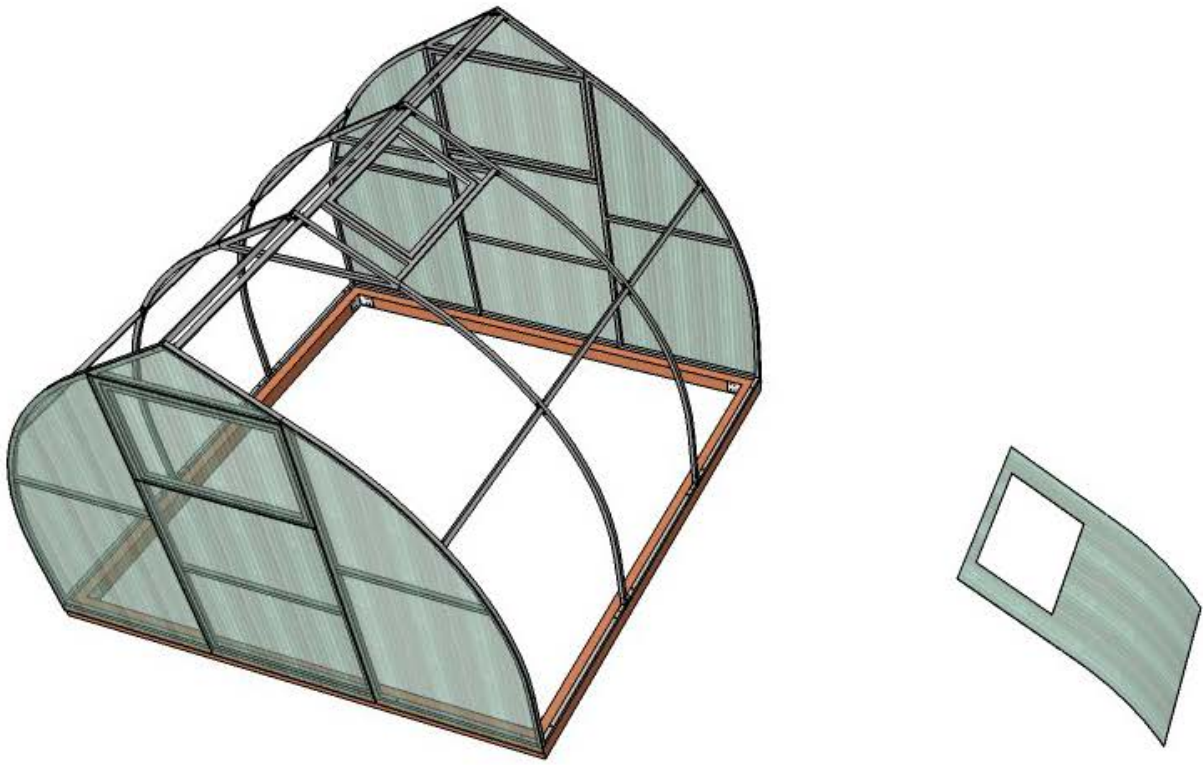




4. Install Seal #35 as shown in the picture below.



5. When installing side polycarbonate sheets, install polycarbonate sheet #12 instead of sheet #11 in the opening between the posts, where you installed the window.



6. On the window frame, install sheet #13.

