

ASSEMBLING INSTRUCTIONS FOR RAINDROP MD GREENHOUSE

Dear customer, congratulations on the purchase of the Raindrop MD greenhouse from My Great Greenhouse. When correctly assembled and maintained, the greenhouse will serve you and bring happiness for a long time. This manual includes information and tips on assembling and maintaining the structure.

YOU MUST READ THIS INSTRUCTIONS BEFORE YOU BEGIN ASSEMBLING THE GREENHOUSE.

1. Precautions

Attention: Before installing the greenhouse kit (in the future referred to as the greenhouse), attentively read these instructions. Follow all the guidelines and tips in it.

Warning: While assembling the greenhouse, the usage of personal protection such as special gloves, glasses, boots, and helmets is strongly recommended.

Do not start assembling when the wind is blowing.

Make sure to finish the installation in one day (the warranty doesn't apply to partially assembled greenhouses).

Keep children away from the area of assembly.

If using a stepladder or power tools, be cautious and follow the producer's safety advice. When installing the greenhouse, use only working tools in good condition (both manual and electric).

Before moving the packs of the greenhouse, pay attention to their weight. Then, be careful when moving the packs. If necessary, involve the required number of people to move the packs of the greenhouse or use particular means (carts, etc.)



438-927-1727

info@mygreatgreenhouse.ca

www.mygreatgreenhouse.ca

**Use tools that are in good condition only,
keep children away from the area of assembly.**

1. Precautions

Attention: Before assembly, to make sure that you are allowed to build this structure, consult city or municipality building codes.

The surface where the greenhouse is mounted must be flat. The structure must be securely anchored to a level base. We strongly recommend anchoring the greenhouse on a wooden or concrete base.

The greenhouse shouldn't be positioned where tree branches, loads of snow, ice, or other overhead particles could fall and damage the construction.

In violation of the above recommendations, the guarantee for the coating material and the frame does not apply.

Important: For assembling the greenhouse, you will need at least **two people**. This instruction is for Raindrop SM2, SM3, SM4, SM5, SM6 greenhouses.

Attention! Cellular polycarbonate sheets are protected from ultraviolet rays inside the panel. They have a special UV protective layer on both sides of the sheet, which prevents the harmful effects of ultraviolet radiation. The polycarbonate sheets must be installed so that the front side (has a film with text and pictures), on which the reinforced layer of protection against ultraviolet rays is applied, is always facing the sun during installation. Do not remove this film until the greenhouse installation is complete.



438-927-1727

info@mygreatgreenhouse.ca

www.mygreatgreenhouse.ca

2. The required tools

- M10 wrench – (included in the kit);
- M6 wrench and M6 driver bit;
- Screwdriver drill bit - crosshead;
- Crosshead screwdriver;
- Utility knife or a jigsaw;
- Rubber mallet – (included in the kit);
- Hammer drill (in case the greenhouse will be set on concrete);
- Drill
- 5/64 - 3/32 drill bit
- Ladder



Use tools that are in good condition only, keep children away from the area of assembly.



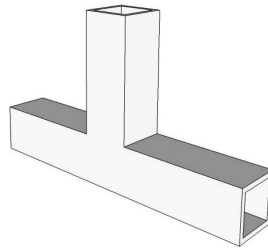
2. Specification

Item No	Item name	Quantity		Note
		SM2	+1 m	
01	Brace 975 mm bottom	4	2	To calculate the number of parts for your greenhouse, take the quantity for the greenhouse 2-meter (SM2) and, if you have a 3-meter greenhouse, add the quantity for +1 m. In case your greenhouse is six meters long, add four times of +1 m to the quantity of the 2-meter greenhouse.
02	T-connector	2	2	
03	Stud 1	4		
04	Stud 2	2	2	
05	Corner brace	48	16	
06	Brace 975 mm	8	2	
07	Brace 600 mm	4		
08	Upper stud connector	3	1	
09	Three-point connector	4		
10	Nut M6	40	16	
11	Countersunk screw 6x35mm	40	16	
12	Door lock	1		
13	Front door	1		
14	Rear window	1		
15	Lift support	2		
16	Hex head self-tapping screw 5.5x25	150	8	
17	Countersunk self-drilling screw 3.9x18	12		
18	Self-tapping screw 4.8x13	64	24	
19	Self-drilling screw 4.2x16	157	38	
20	Hex head screw 6x90	17	4	
21	Wrench	1		
22	Door handle	4		
23	Domed Cover Caps	40	16	
24	Rubber mallet	1	1	
25	Aluminum base L=1685+740 mm	6	2	
25	Aluminum base L=950 mm	4	2	
26	Aluminum cup L=1695+745 mm	6	2	
26	Aluminum cup L=950 mm	4	2	
27	Aluminum cover cup L=1705+750 mm	6	2	
27	Aluminum cover cup L=950 mm	4	2	
28	Ridge cover	2	1	
29	100x100 Coner brace	4		
30	Plate to fix the wooden beams	0		
31	Anchor	4		
32	Wood screw			
33	Aluminum profile seal	20,5		
34	Door and window seal, m	4		
35	Expanding foam tape	4	2	

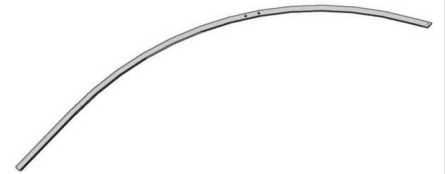


Package #3

01



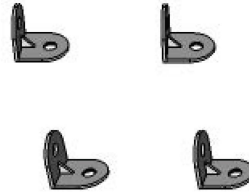
02



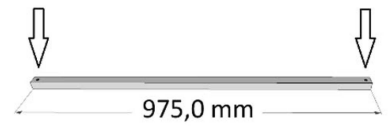
03



04



05



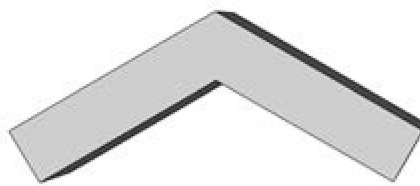
Package #3

06

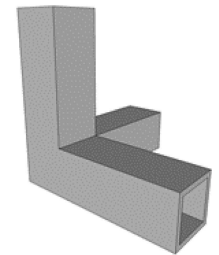


Package #3

07



08



09



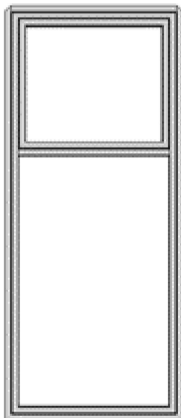
10



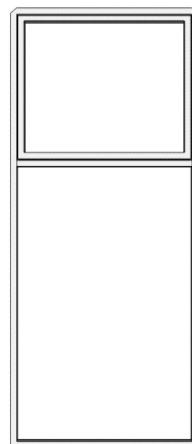
11



12



13



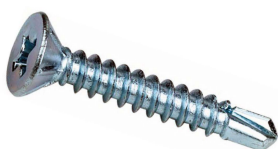
14



15



16



17



18



MY GREAT GREENHOUSE
 1-833-212-3727
 438-927-1727
www.mygreatgreenhouse.ca

Package #6



19



20



21



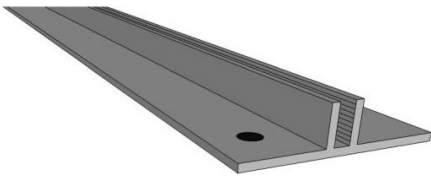
22



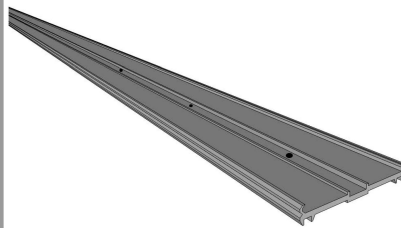
23



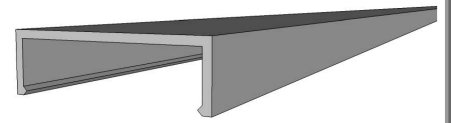
24



25



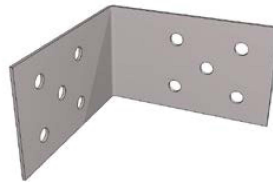
26



27



28



29



30



31



33



34



35

36



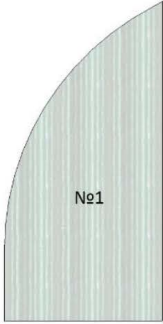
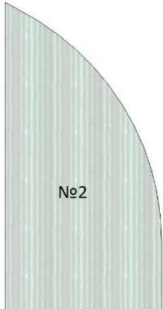


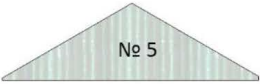
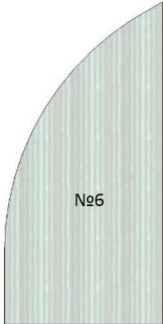
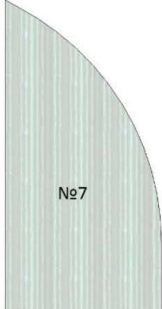


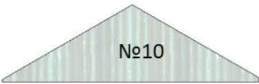
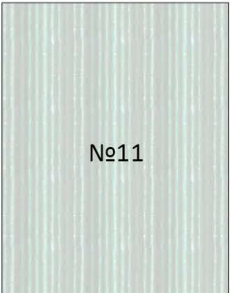
MY GREAT GREENHOUSE

1-833-212-3727

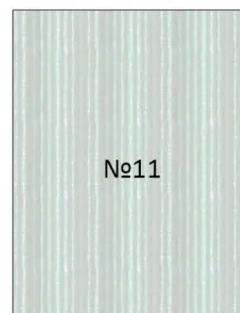
info@mygreatgreenhouse.ca

www.mygreatgreenhouse.ca

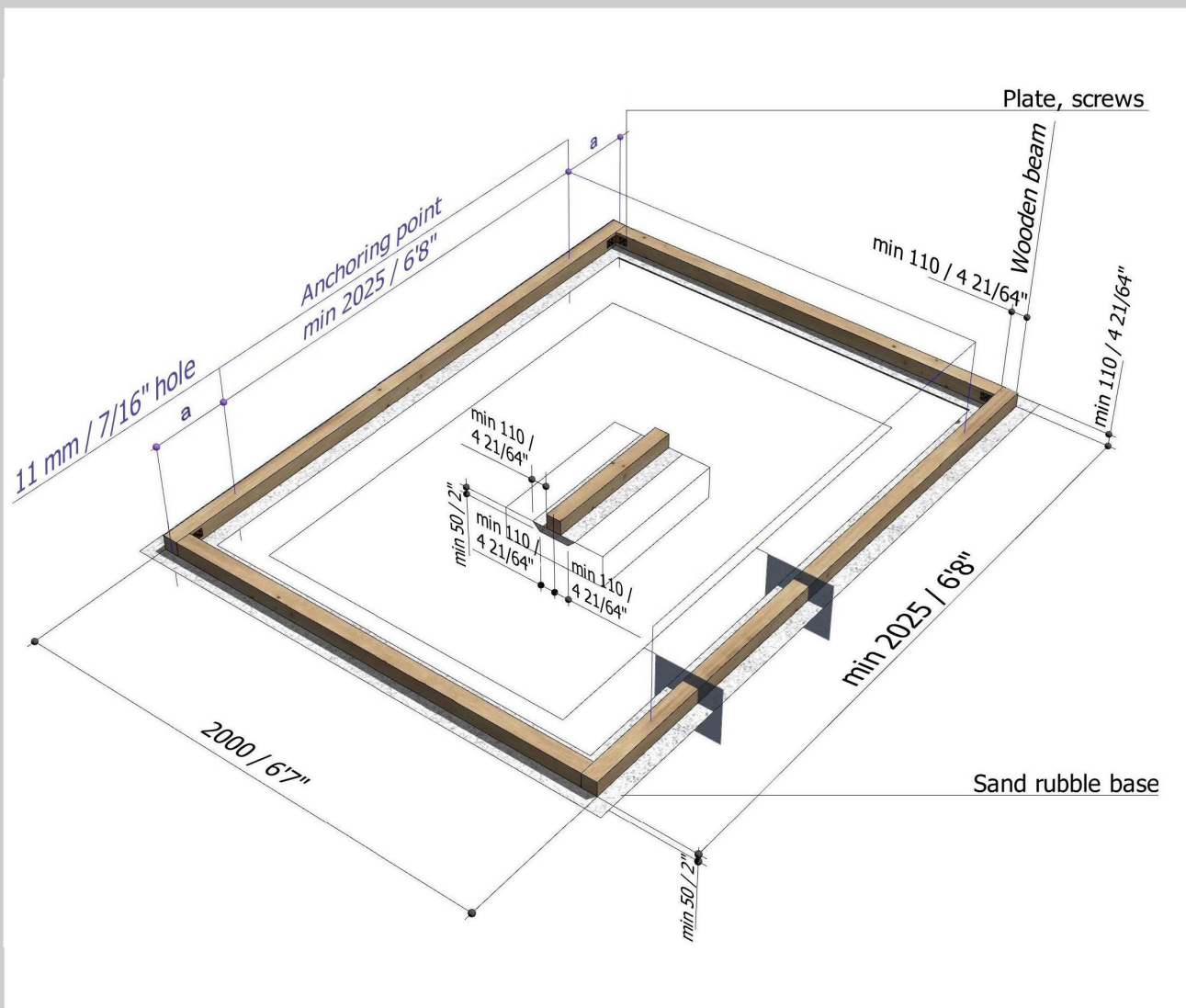
Polycarbonate sheets for Raindrop SM - 2 m

			
Polycarbonate sheet №1	Polycarbonate sheet №2	Polycarbonate sheet №3	Polycarbonate sheet №4
1 PCS	1 PCS	1 PCS	1 PCS
			
Polycarbonate sheet №5	Polycarbonate sheet №6	Polycarbonate sheet №7	Polycarbonate sheet №8
1 PCS	1 PCS	1 PCS	1 PCS
			
Polycarbonate sheet №9	Polycarbonate sheet №10	Polycarbonate sheet №11	
1 PCS	1 PCS	12 PCS	

Polycarbonate sheets for Raindrop SM +1 m



Polycarbonate sheet №11
4 PCS



The greenhouse can be installed on either a wooden or concrete base. Below are guidelines for preparing the base for a greenhouse installation.

A wood beam with a cross-section of at least 4"x4" can act as a wooden base.

Make sure to use treated wood.

Install the wooden beam on a sand-rubble surface with a depth of at least 5 centimeters. Use a corner (№ 29) and screws (№32) at a right-angle at joints between the two beams. Use plates (№30) and screws (№ 32) to connect the two bars lengthwise.

We highly recommend anchoring the base to the ground using anchors (№ 32)

For a greenhouse with a length of 2-4 meters, four anchoring points are sufficient. For a greenhouse with a length of 5-6 meters, six anchoring points are sufficient. Place the anchoring points evenly on the two long sides of the greenhouse.

When installing the greenhouse on a concrete base, fix the wooden base to the concrete using anchors with a diameter of 8 mm.

Finally, verify that the wooden base is level and the diagonals are equal.

The greenhouse wood frame should be the same dimensions as the greenhouse dimensions. The geometrical parameters of the bases for different greenhouses (SM2, SM3, SM4, SM5, SM6) are indicated below:

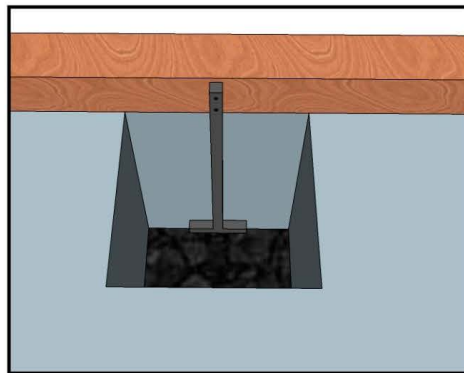
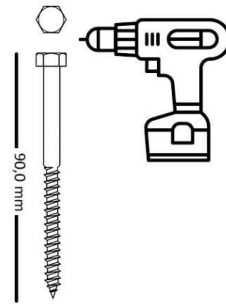
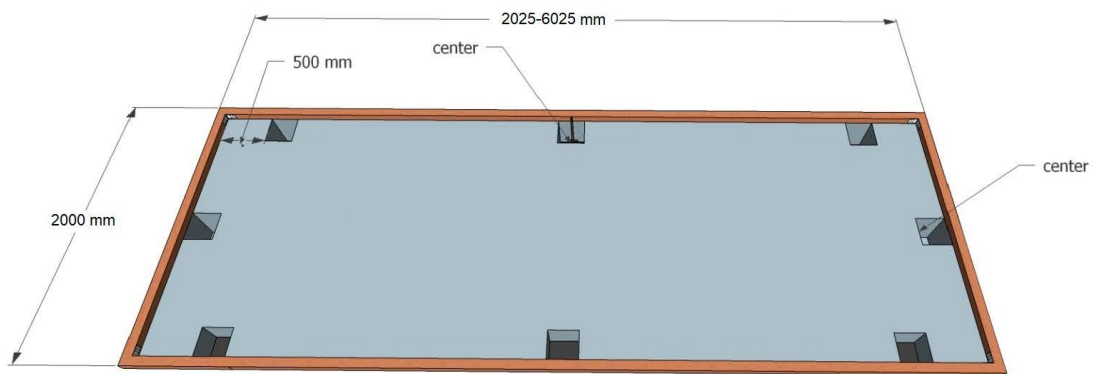
RAINDROP SM3-SM6

	Greenhouse width		Greenhouse length		Wood base width		Wood base length	
	cm	in	cm	in	cm	in	cm	in
SM2	200	9'6"	202.5	6'8"	200	9'6"	202.5	6'8"
SM3	200	9'6"	302.5	9'11"	200	9'6"	302.5	9'11"
SM4	200	9'6"	402.5	13'2"	200	9'6"	402.5	13'2"
SM5	200	9'6"	502.5	16'6"	200	9'6"	502.5	16'6"
SM6	200	9'6"	602.5	19'9"	200	9'6"	602.5	19'9"

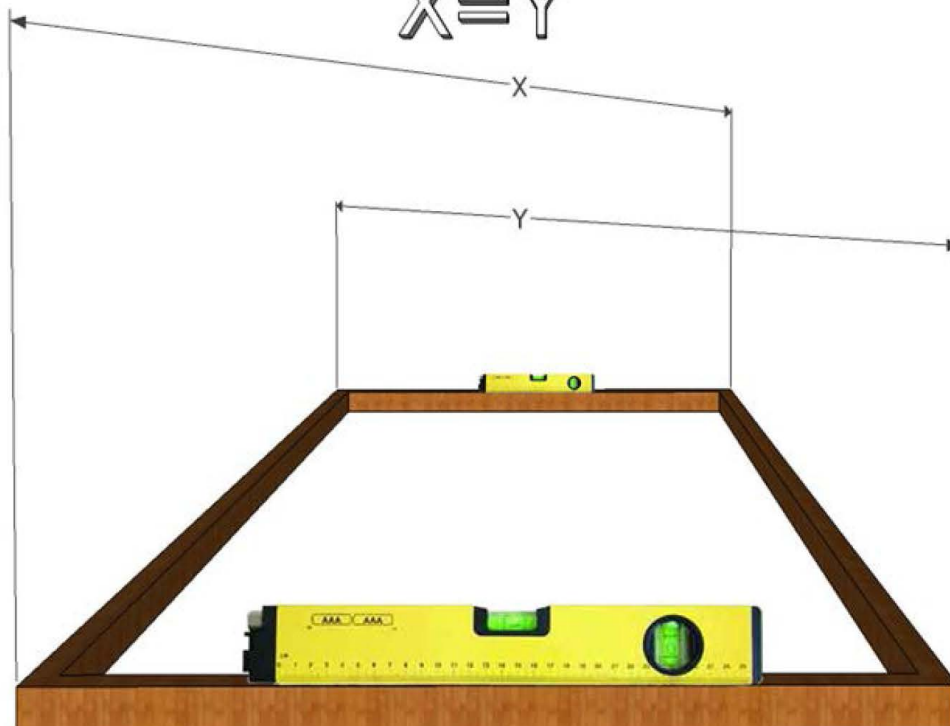
Preparing the wood base

In the case of installing the greenhouse on a wooden base, we recommend attaching Anchors #32 to the wood base beams using Screws #33.

Picture № 1



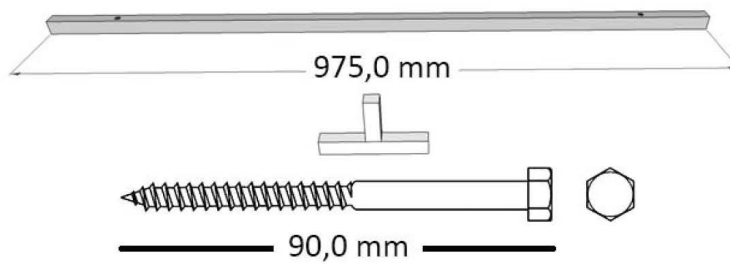
$$X=Y$$



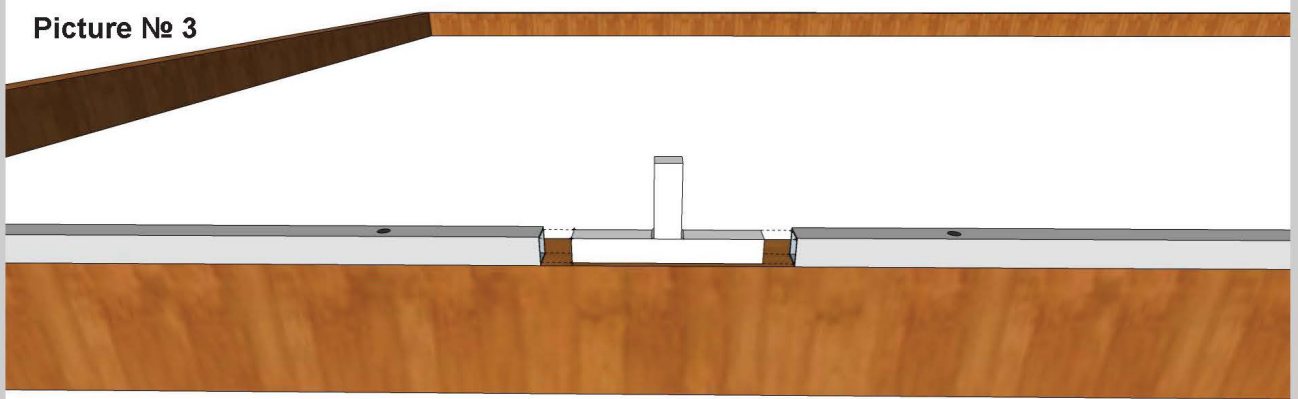
Greenhouse installation

1. Place the longitudinal frame elements (Braces # 01 and T-shape connector # 02) on the long side of the wooden base. (Picture No. 2, 3).

Picture № 2

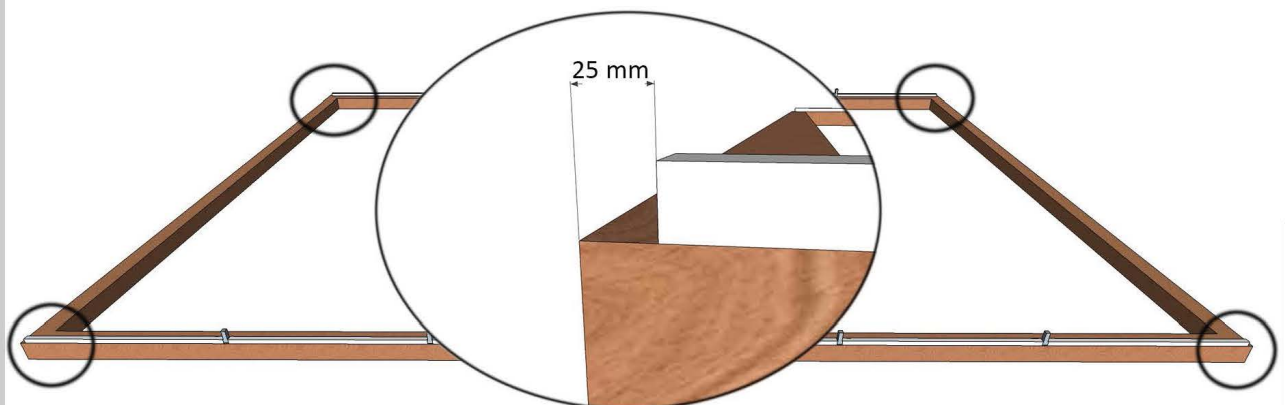


Picture № 3



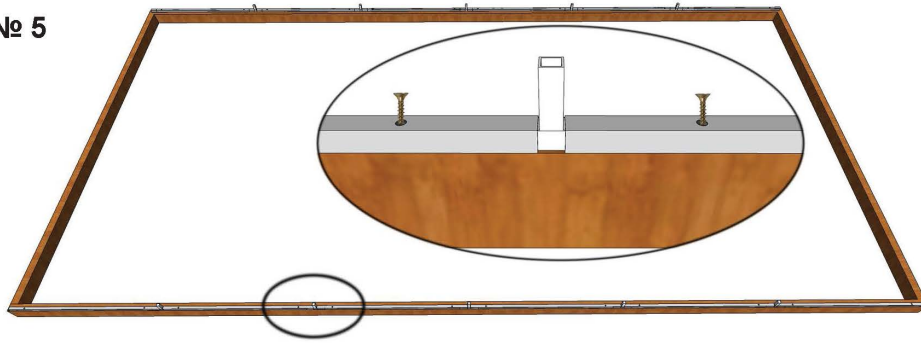
2. The ends of the installed Braces # 01 along with the T-shape connectors # 02 should be 25 mm (1") from the outside of the short parts of the wood base (Picture № 4).

Picture № 4



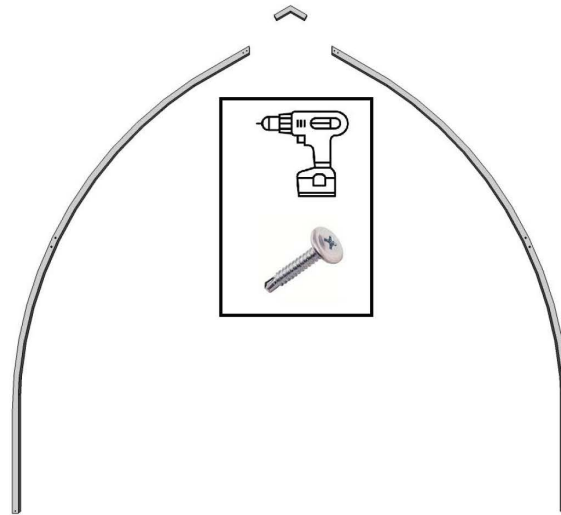
3. Fasten Braces # 01 together with the T-shaped connectors # 02 on the wood base beams using Screw #21.

Picture № 5



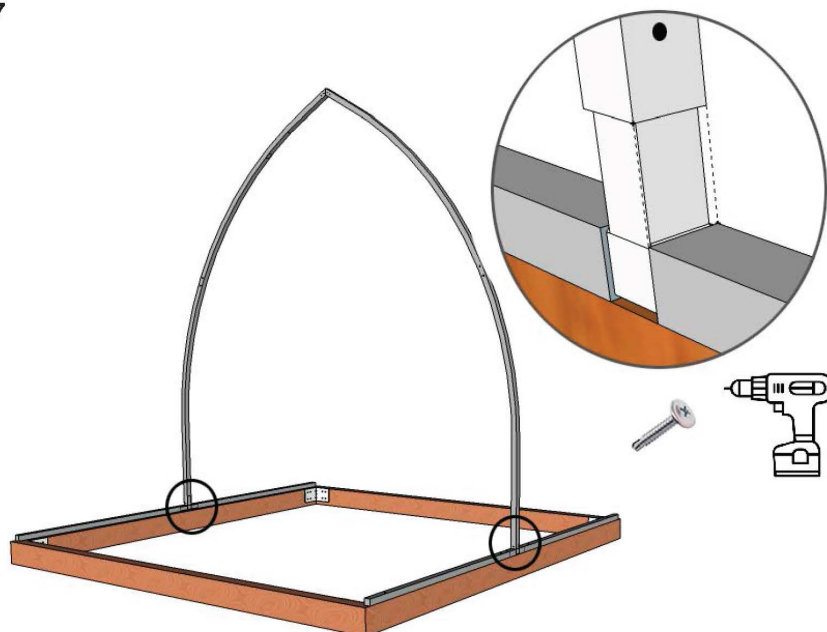
4. Assemble the Arches, connecting and fastening together all the Studs #03, Inserts #16 (shown in red in Picture # 6), and an appropriate quantity of 3-angles ridges #04 that you have in the kit, as shown in Picture #6.

Picture № 6



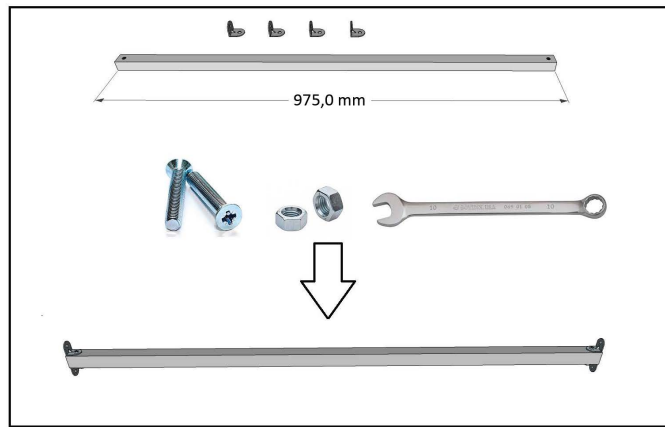
5. Install the previously assembled arches on the longitudinal elements of the frame by inserting T-shaped connectors into the lower ends of the arches, as shown in Picture No. 7

Picture № 7



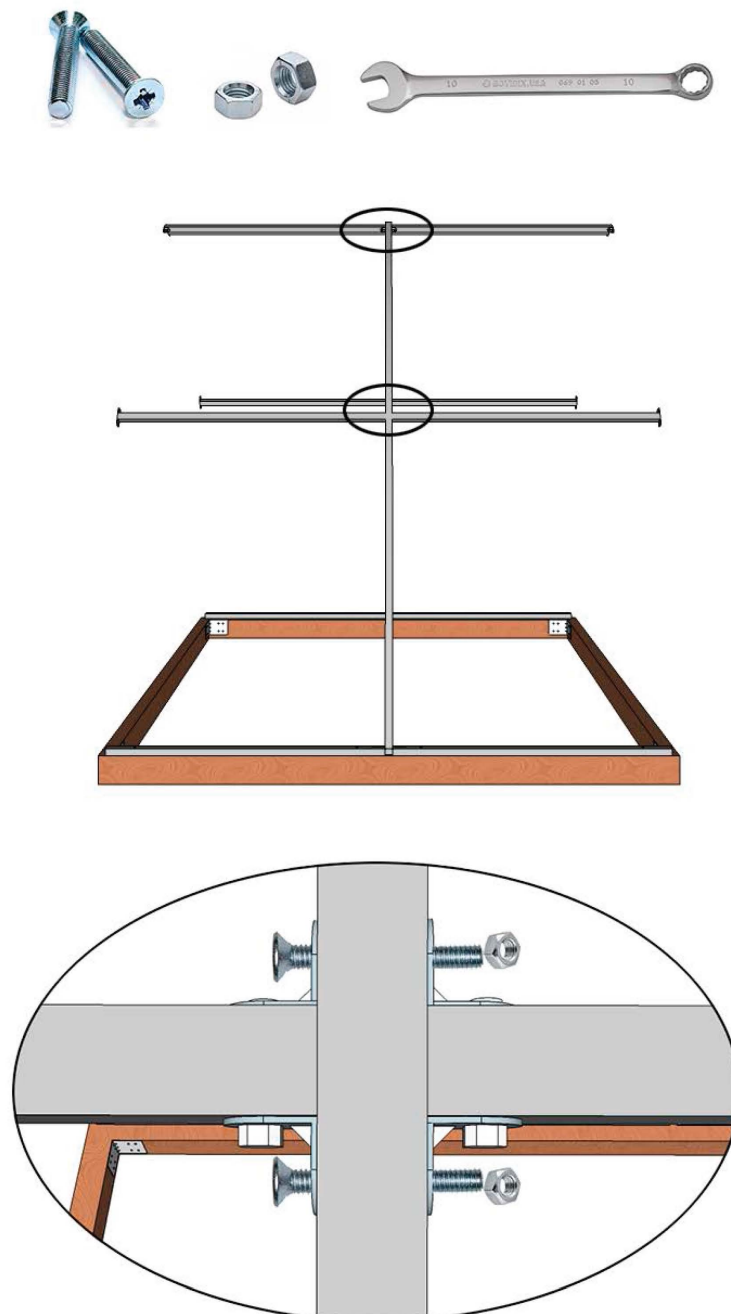
6. Using bolts #09 and nuts #10, attach Corner braces #05 to Braces #08 (Picture No. 8)

Picture № 8



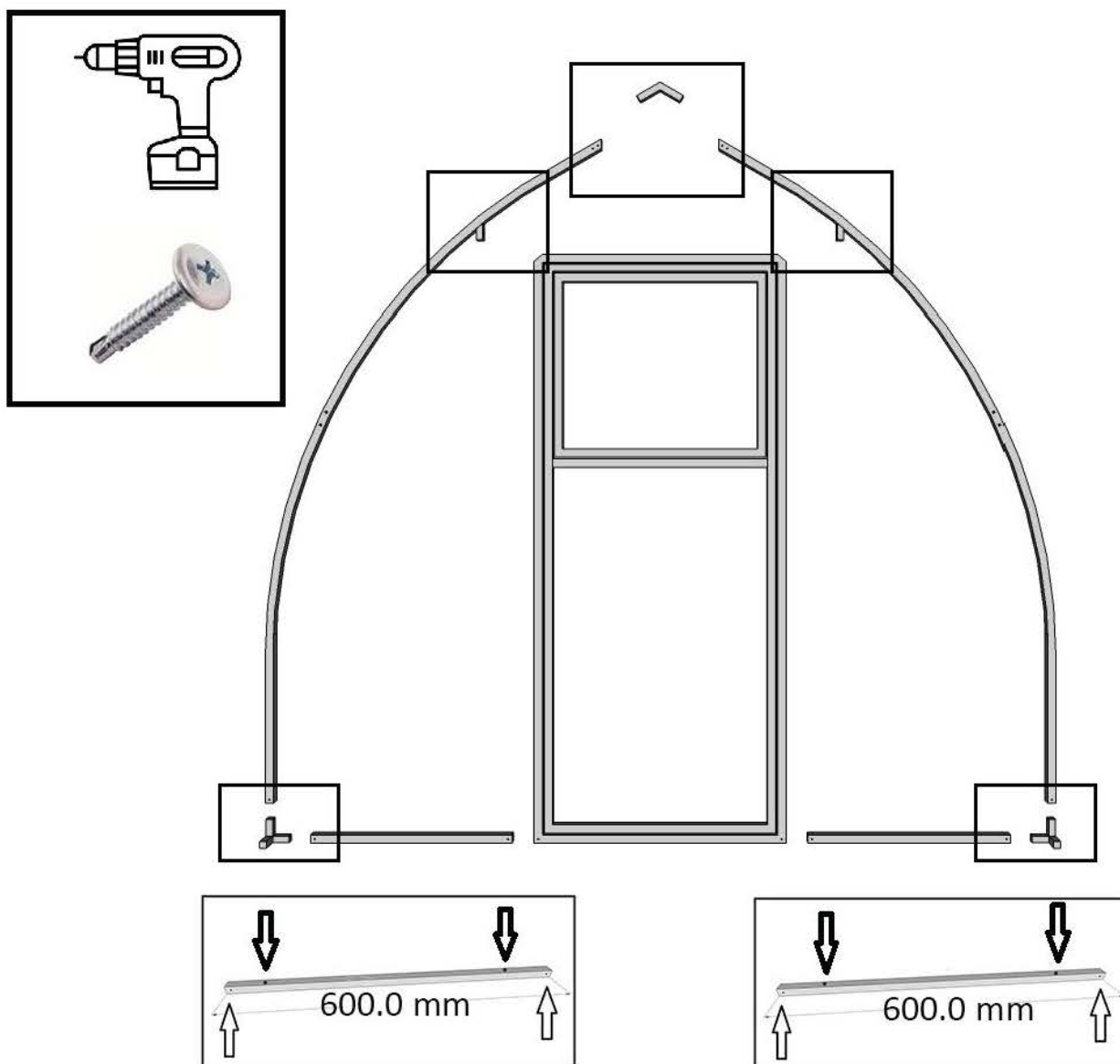
7. Using bolts #09 and nuts #10, attach assembled Braces with earlier installed Arches (Picture No.9)

Picture № 9



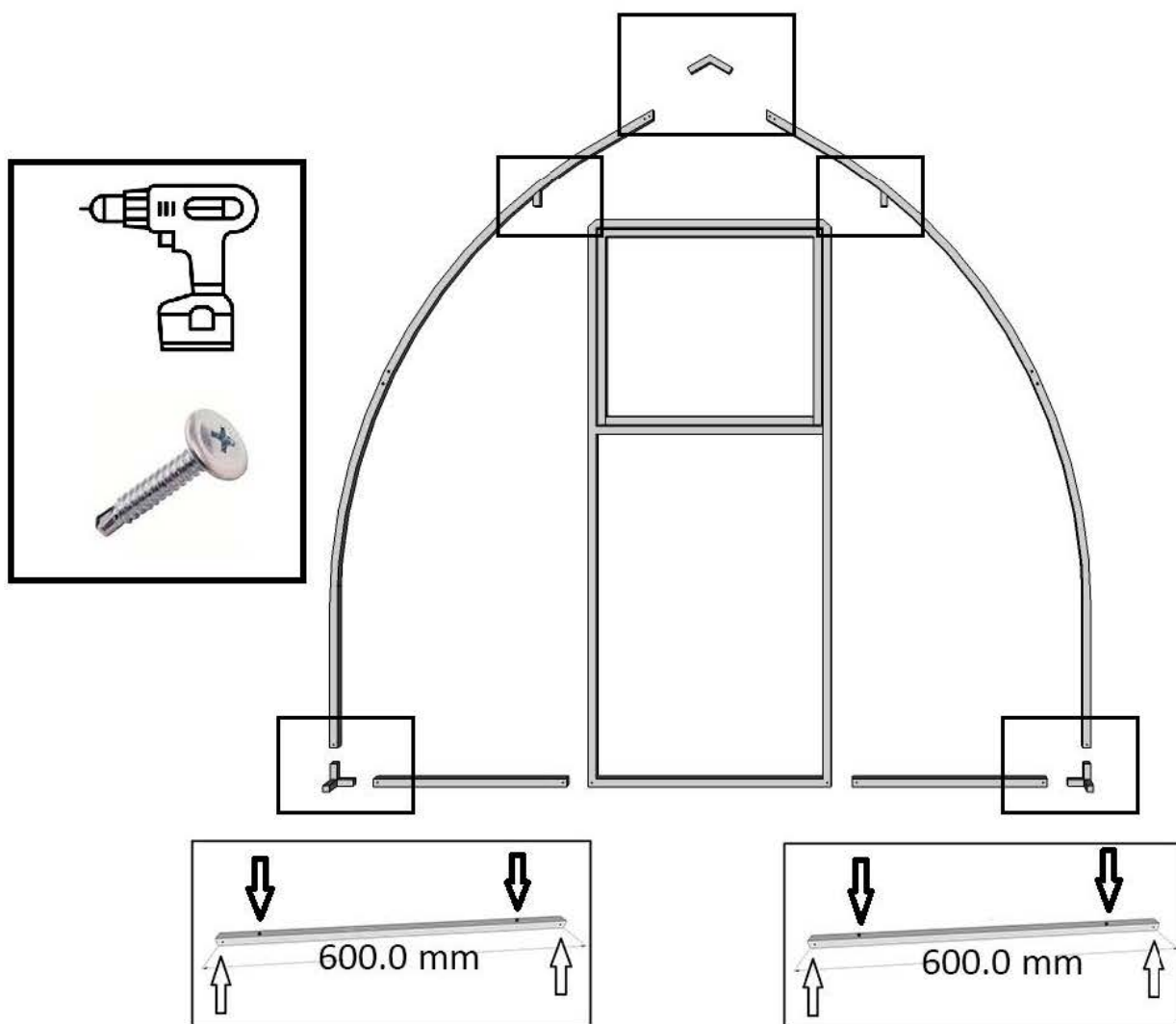
8. Assemble the rear end. Place parts ## 06, 07, 08, 09, 10,11,12, 13, and 16 as shown in Picture #10 using a flat, level surface near the greenhouse installation site.
Pay attention to the left and right sides of the rear end.
Take the ones that look like Picture # 10.
9. Using bolts #09 and nuts #10 attach four Comer braces #05 and Braces #06.

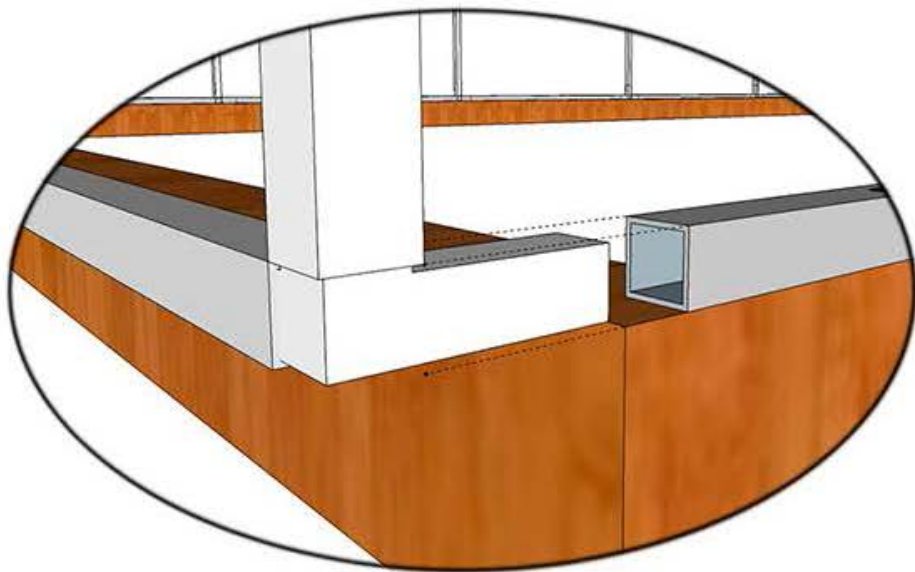
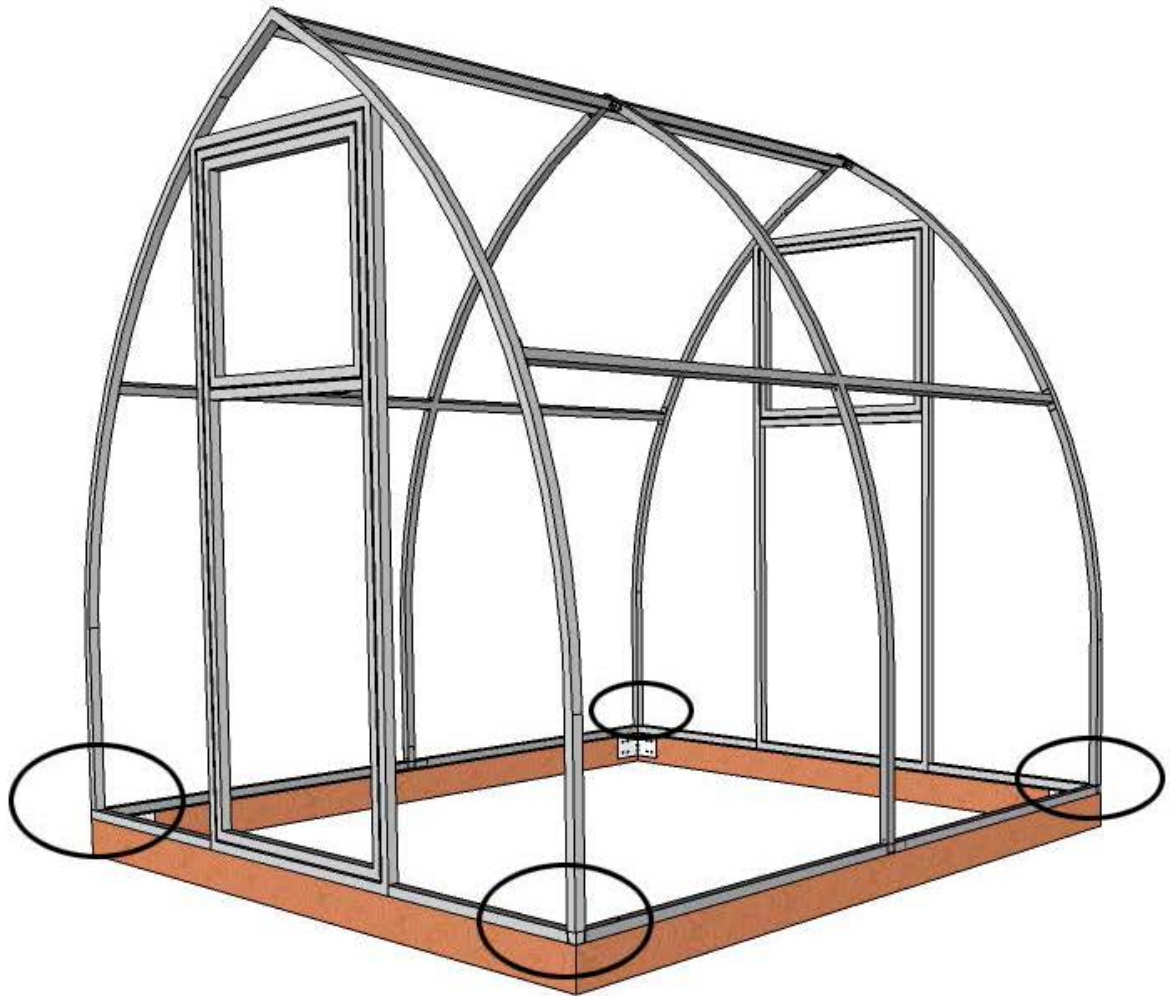
Picture №11



10. Attach together all the units ## 11, 12, 13, one Brace #07, and two Braces #06 assembled with Corner braces #05, as shown in Picture #12.

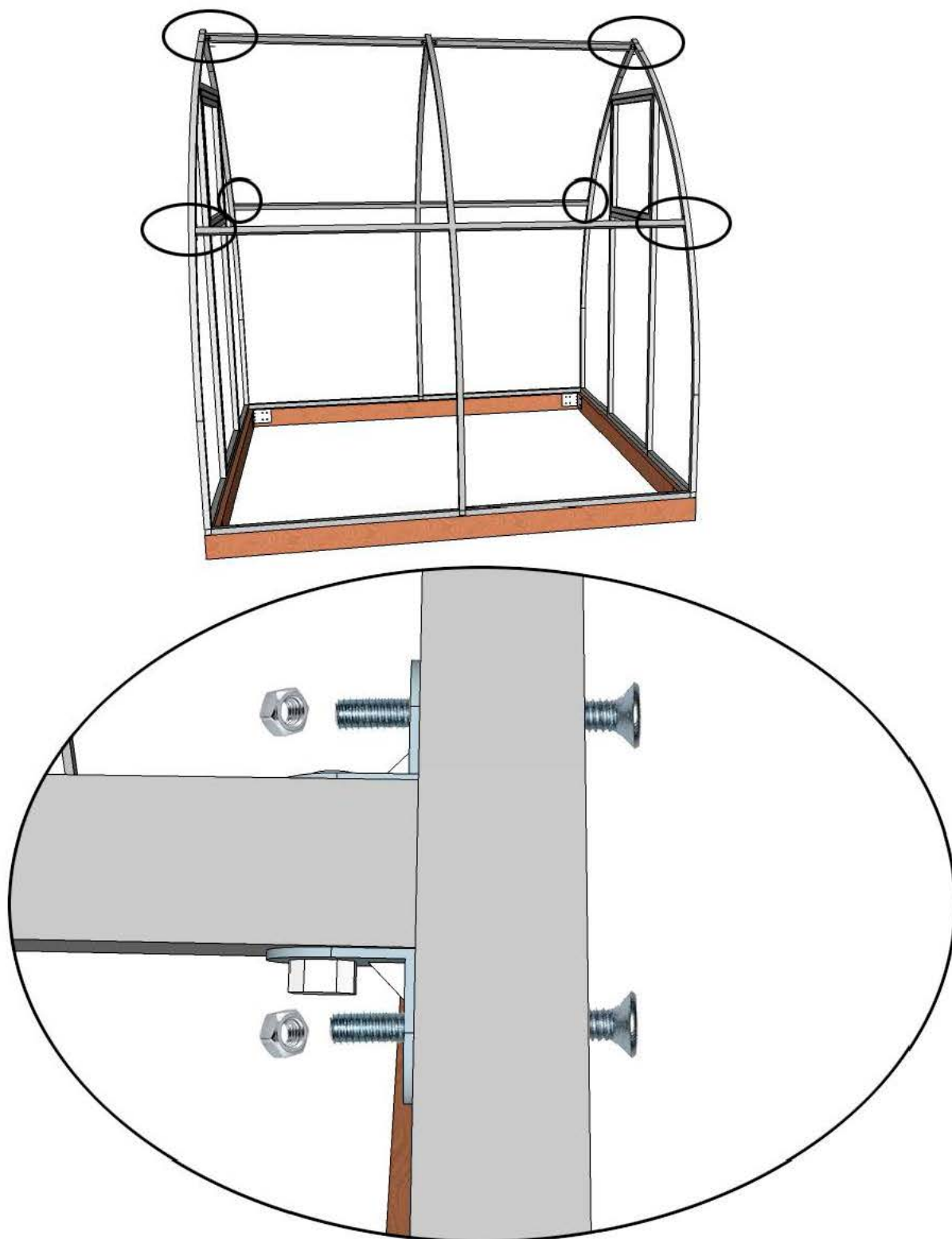
Picture №12





14. Lift up the rear end and put it on the prepared base. Attach the rear end to the assembled central part of the greenhouse frame in the same way as the front end. (Picture #16).

Picture № 16



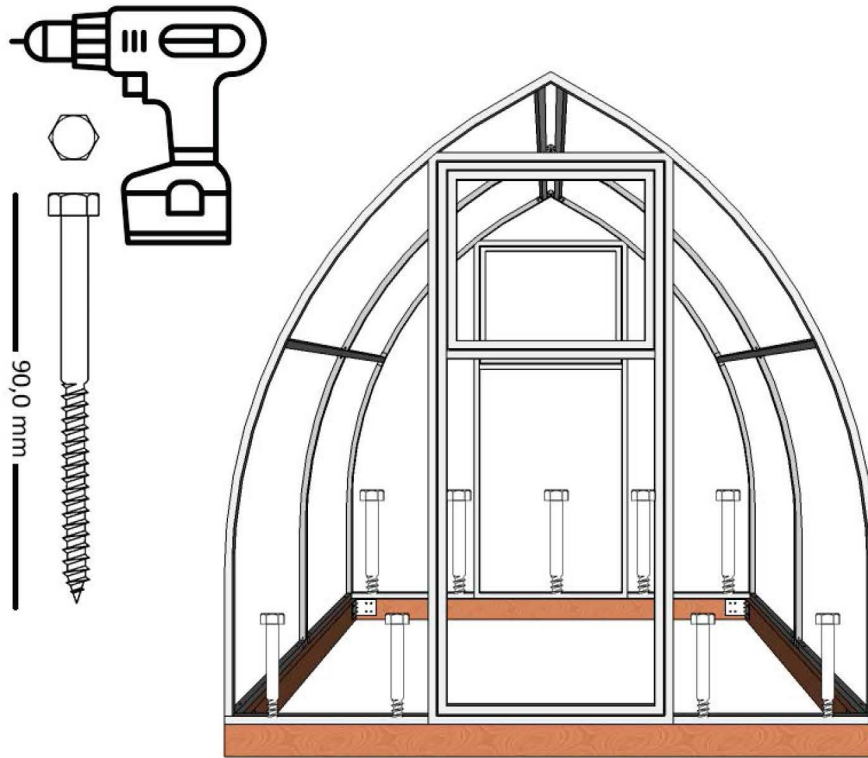
15. Fasten the frame to the remaining marked points on the wood beams using the screw #21.

Picture # 17

Note:

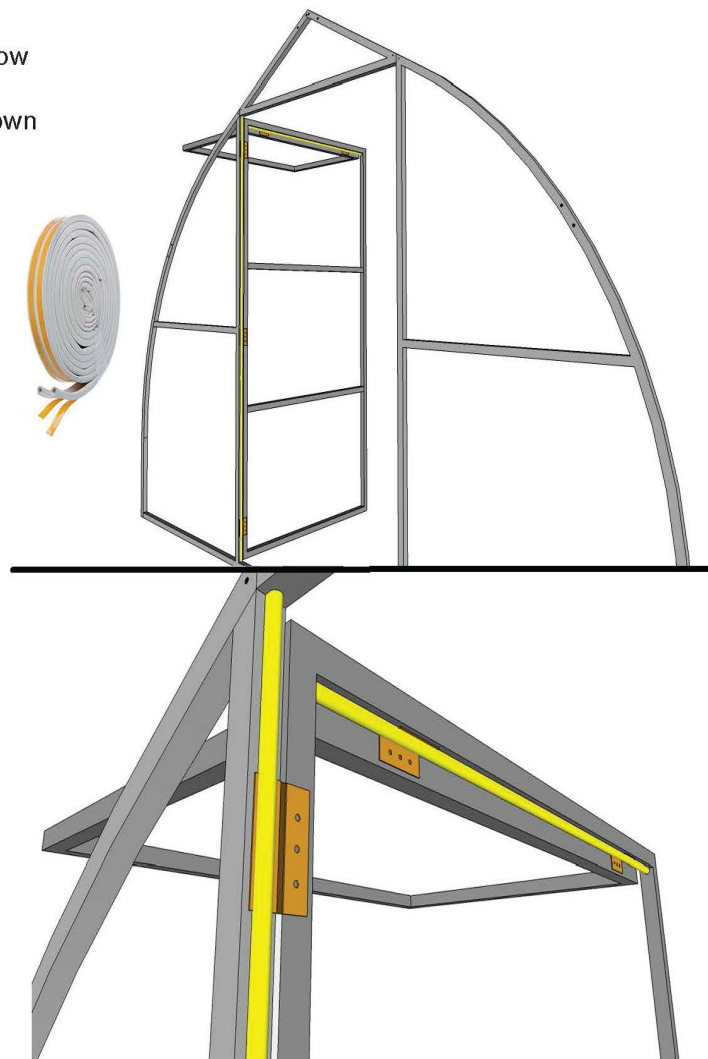
When installing the door end to the wood base, use Wood screw #33 for Brace 980 mm bottom #7 in the middle of the Brase.

Picture № 17



16. Install Door and window seal #35 on the door and ventilation window as shown in the picture.18.

Picture № 18

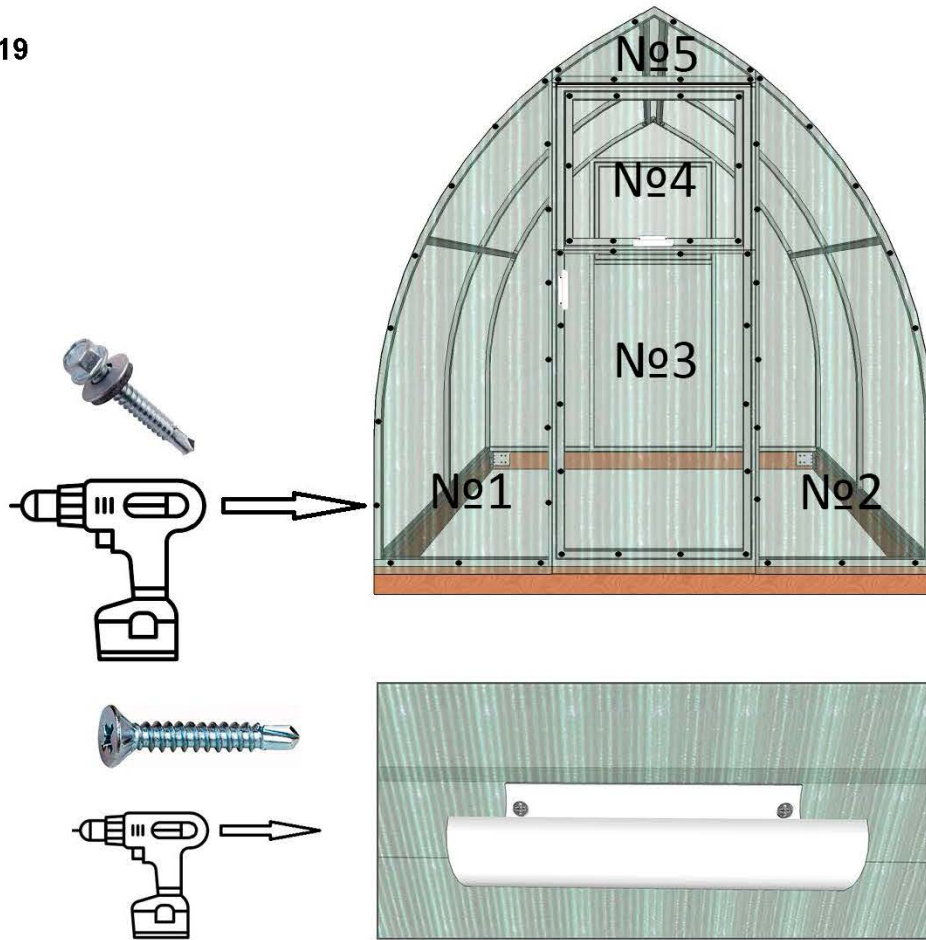


Picture № 16

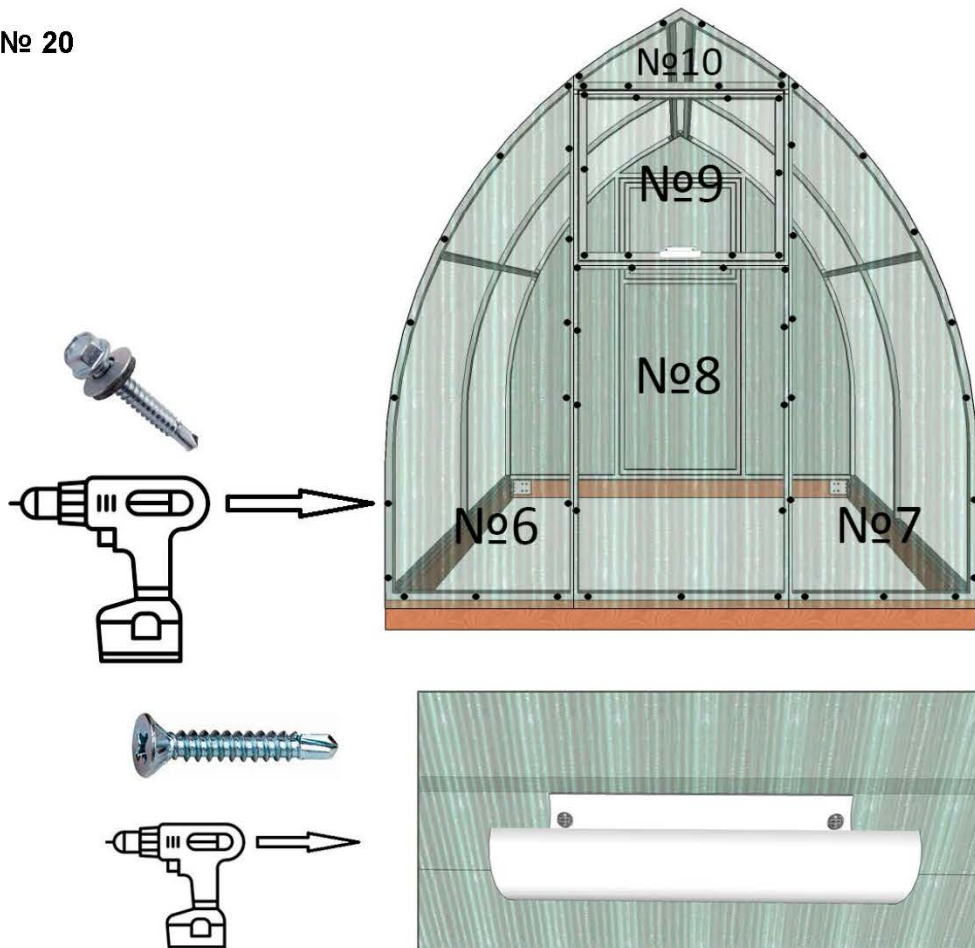


17. Install polycarbonate sheets on the front and back ends in accordance with the numbers indicated on each sheet, in random order. Picture № 19
To fasten the polycarbonate sheets to both ends of the frame, use self-tapping screws 4.8x25 with a bonded washer (№ 17).

Picture № 19



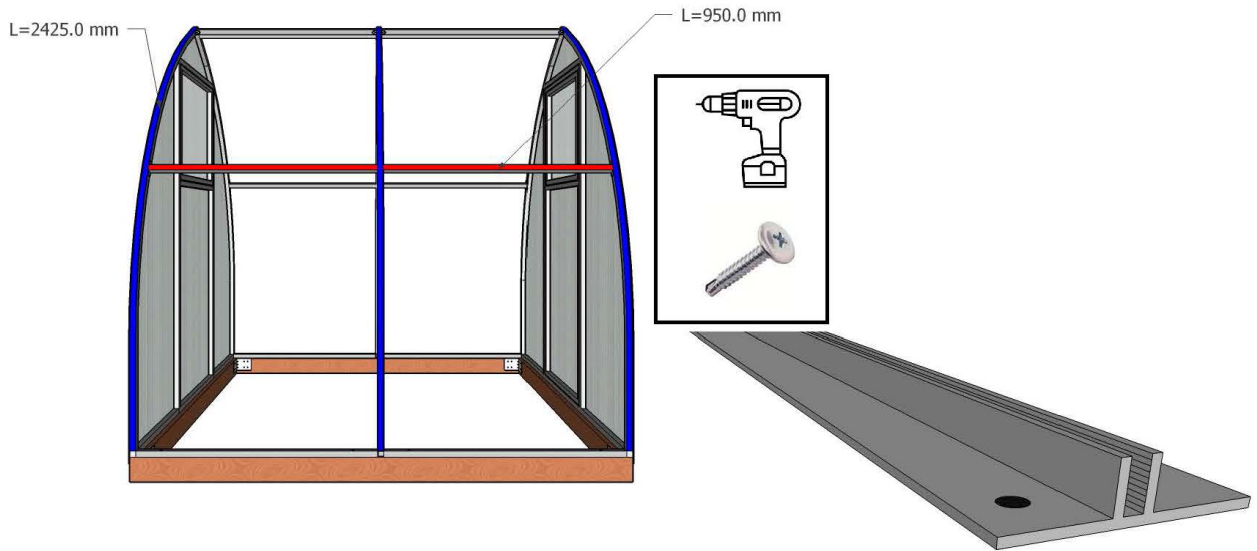
Picture № 20



Installation of side sheets.

18. Install aluminum bases #26 which contains two parts - long and short 1685 & 740 mm along the stud №3. Attach them to the studs with screws # 22.

Picture № 21



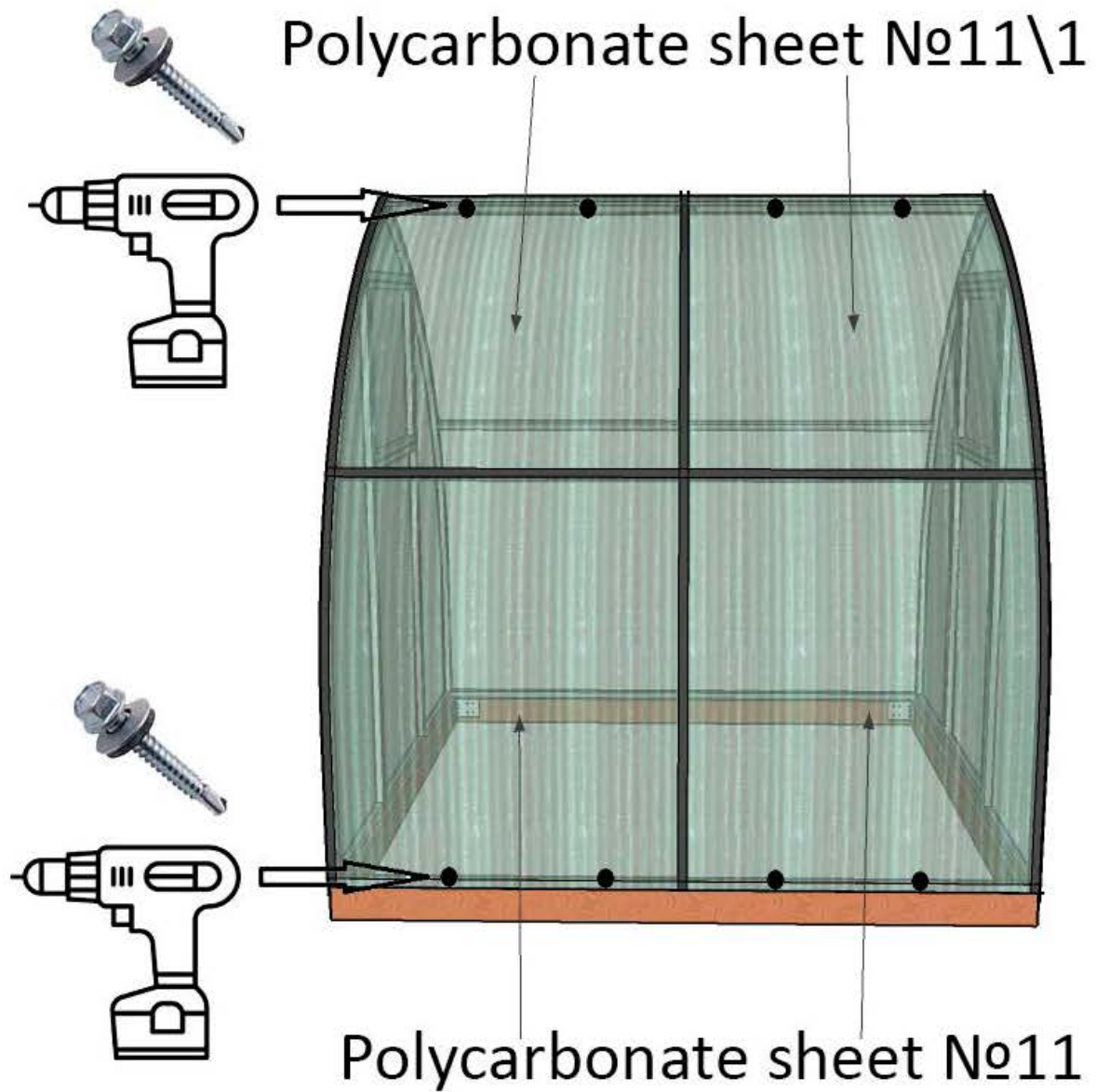
19. Install 950 mm pieces of aluminum base # 26 along with braces # 06. Attach them to braces #6 with screws # 23.

Picture № 22



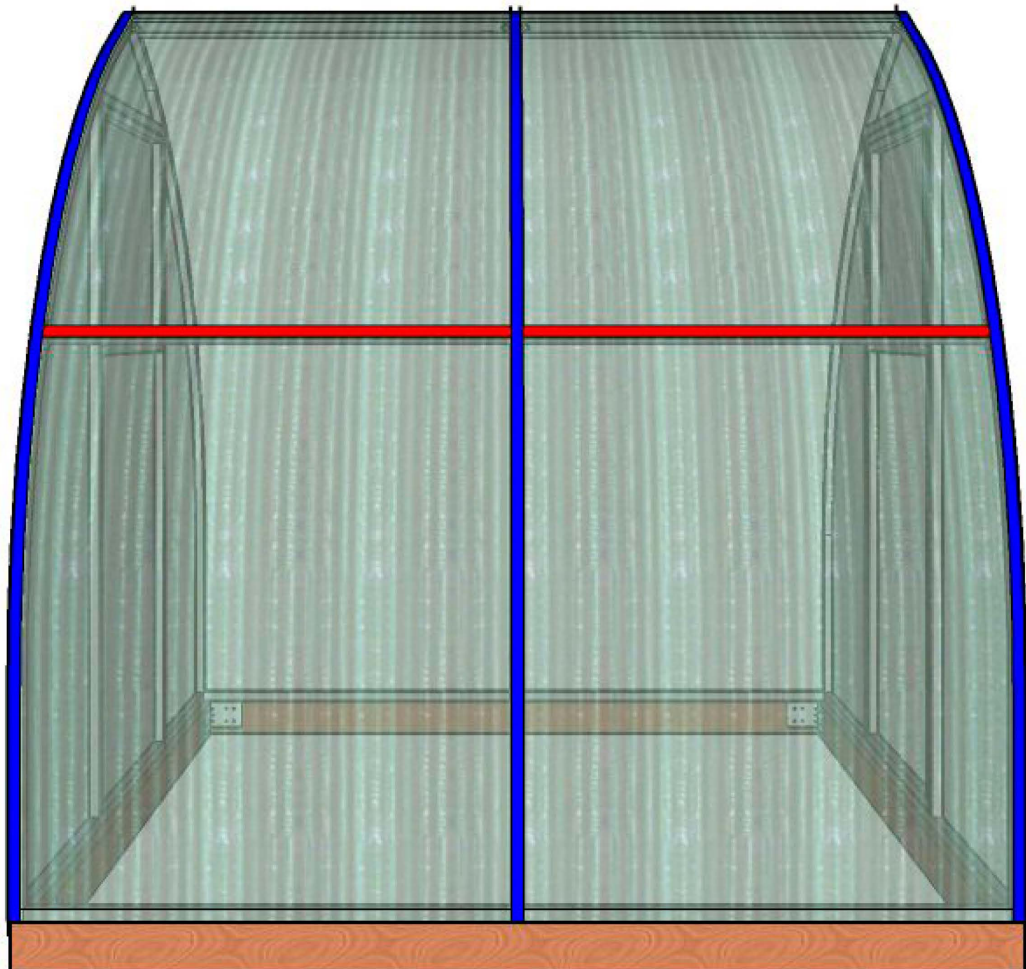
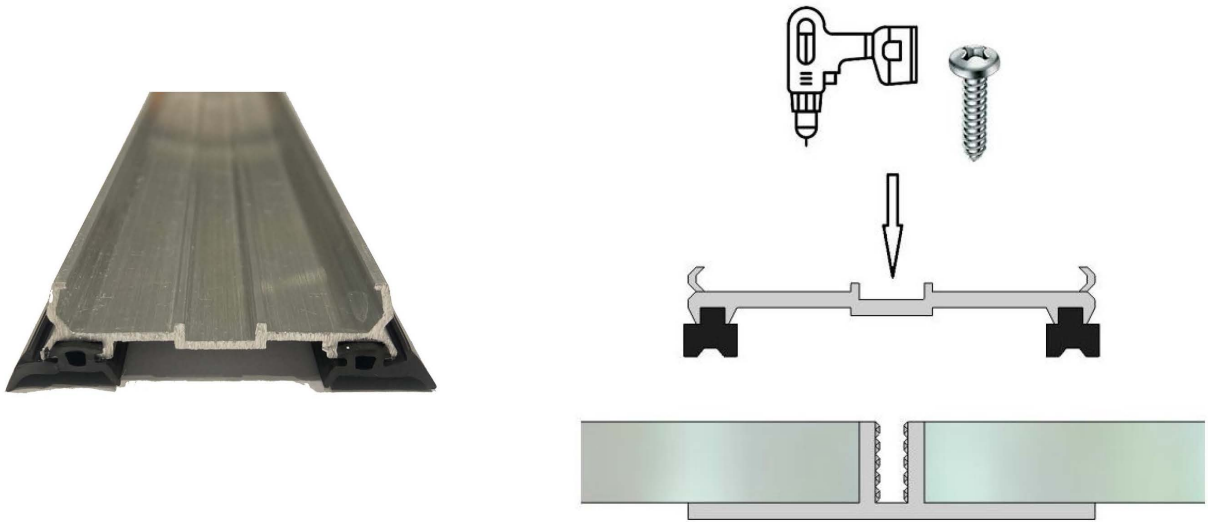
20. Place sheets of # 11 polycarbonate between the studs as shown in Picture # 23.

Picture № 23



21. Insert aluminum profile seal # 34 into the two parallel grooves in aluminum cap # 27 as shown in the picture below.
Cover the joints of the polycarbonate sheets along with the studs with aluminum cap # 27 (1695 and 745 mm) and secure the cover with screws # 19.
Do the same for the horizontal bars #6.

Picture № 24

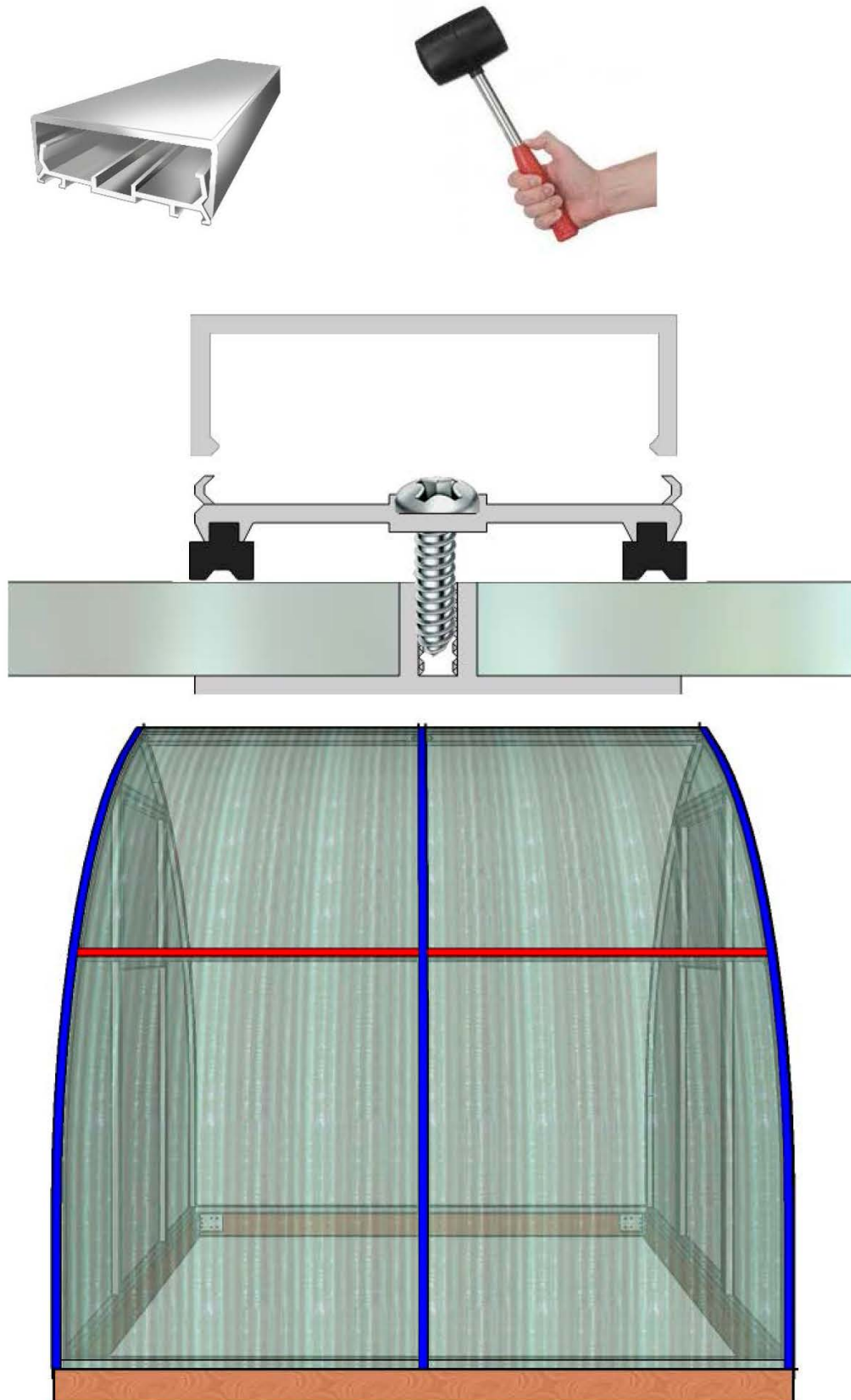


22. Place the aluminum cover cup # 28 (1705+750 mm) over cap # 27. Start at the top. Using rubber mallet press down the aluminum cover firmly until it covers cap # 27 completely. Continue to press the aluminum cover cup # 2 into cover # 27 using a rubber mallet # 29. Tap with the rubber mallet evenly, without force, without damaging the aluminum cover cup # 28.

Do the same for the horizontal bars #6.

When installing polycarbonate sheets, install the ridge cover at the same time according to the recommendations below.

Picture № 25

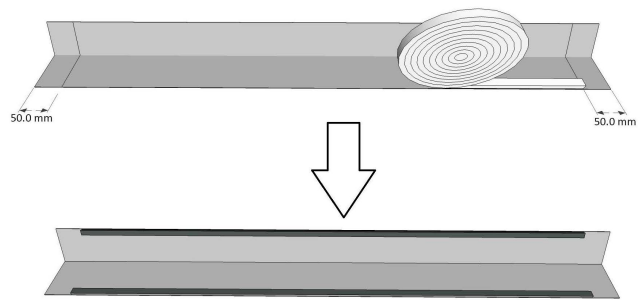




Installing the ridge cover



22. Using a self-adhesive backing, attach expanding foam tape #36 along both sides of the inner surface of the Ridge cover # 37 along its entire length, leaving 5 cm open from each end and as close as possible to the outer edge of the longest portion of the ridge cover. Expanding foam tape # 36 due to its gradual expansion, will fill the gap between the ridge cover and the polycarbonate sheets at the top of the greenhouse to prevent the ingress of water, air, snow and dust.



After that, install the ridge cover on the top of the greenhouse, clearly positioning it with the edges of polycarbonate sheets. When joining two ridges, try to overlap each other.

Fasten the ridge cover in the places above the studs ## 03, 11, 12, 14 and 15. In the place of the self-tapping screw for attaching the ridge cover, pre-drill a hole through the ridge cover, base cover, polycarbonate, and the stud.

We recommend installing the ridge cover in the following sequence as in the pictures below:

