

Carplay & Android auto Box

— Suitable for Volkswagen cars —



Scan the code to subscribe to the official
youtube account.

View product related installation videos.

Product features

- Wireless/wired carplay, Android auto available
- Support wireless/wired phone mirroring
- Compatible with OEM microphone
- USB multimedia available
- External rear camera, front camera can be linked
- Support EQ adjustment, lossless sound quality
- Support working with the original system and the touchscrenn funtion

Accessories

CIC System Product List



Power cable



LVDS cable

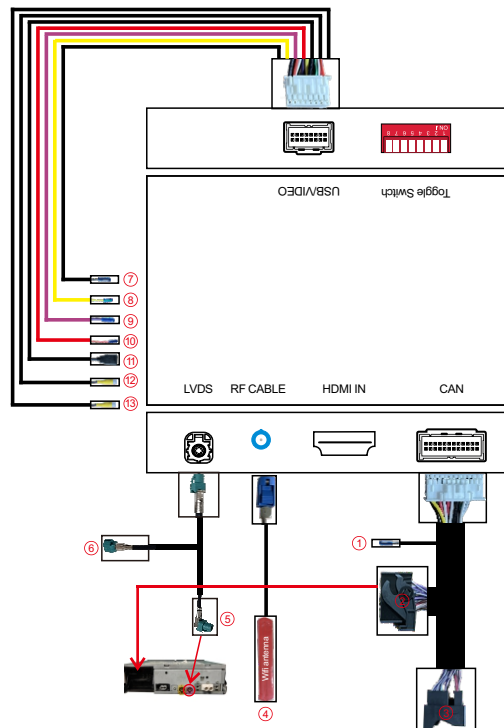


AV-USB cable



Wifi antenna

Wiring connections



OFF

ON

ON ↓

1: ↓ 0: ↑

Screen size	DIP code setting
5.8 inches (480*240)	11001000
7 inches (800*480)	11000000
8 inches (960*540)	11001100

① Audio GND

② Connect to the head unit

③ Connect to original power cable unplugged from the head unit

④ Wifi antenna Place it away from metal and close to the phone

⑤ Connect to the LVDS port on the head unit

⑥ Connect with the OEM LVDS cable

⑦ Ground

⑧ Reverse camera power supply

⑨ Reverse detection 12V

⑩ 12V ACC OUT

⑪ USB port

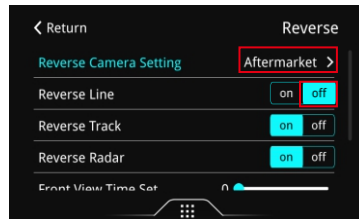
⑫ Reverse camera cvbs input

⑬ Front camera cvbs input

Reverse camera connection

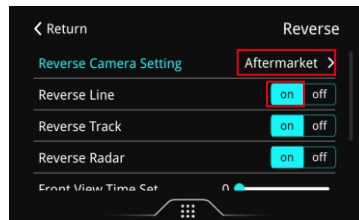
Automatic transmission

1. Connect the reverse camera to CVBS labeled 'Reverse camera'
2. Connect the cable labeled '12V Reverse camera' to camera power
3. Setting→Reverse→Reverse camera→Aftermarket



Manual transmission

1. Connect the reverse camera to CVBS labeled 'Reverse camera'
2. Connect the purple cable labeled 'BACK' to camera power
3. Connect the two red cables from the camera to the reverse light and the black cable to ground
4. Setting→Reverse→Reverse camera→Aftermarket



Wireless Car Play connection

1. Turn on Wifi on the phone
2. Turn on Bluetooth on the phone
3. Search Car Play's Bluetooth 'Car Play xxx'
4. After Bluetooth pairing is successful, click 'Allow', 'Use Car Play' in turn, then Car Play connected successfully

Wireless Android auto connection

1. Turn on Wifi on the phone
2. Turn on Bluetooth on the phone
3. Enter 'Car Play' APP when switching to Car Play system
4. Search the Bluetooth of the phone
5. Choose any one of the options on the car end to pair
6. The pairing request pops up on the phone, select 'Pair'

Wired Android auto connection

1. Enter 'WireAuto' APP when switching to Car Play system
2. Pop up the prompt 'Please connect your Android device'
3. Plug the Android phone to USB port by USB charging cable, then Android auto can be connected successfully

Note: if you have connected Car Play before, please disconnect Car Play wifi first

Wired Autolink connection

1. Download and install 'Autolink' APP on the Android phone
2. Plug the Android phone to USB port of the Car Play box by USB charging cable
3. Open Autolink and allow all the permissions, then can connect Autolink successfully

Wireless Airplay connection

1. Select 'Airplay' APP on the car, then the pairing information with the phone will be displayed
2. Search wifi signal of Airplay and enter password 88888888 to pair
3. Swipe the screen up and down on the mobile phone and find the screen mirroring in the task bar
4. Click 'airplay' to search the the signal of Car Play box

Description of the function of the original buttons



1/ 2/ 3/ 5/ 6: Back to OEM system when in carplay system

6. Long press 12s to restart the carplay mmi box

7. Short press on the CarPlay interface is the return function, long press for 3 seconds allows switching between the original car and the carplay interface

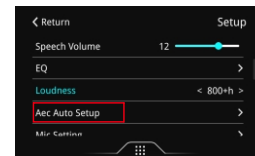
8. Move the pointer

9. Short press indicates the confirmation function, long press to wake up Siri in carplay interface

FAQ

1. How to solve the echo when calling?

- 1) Dial any phone number, and keep the phone on
- 2) Enter "Setup", next is "Audio" and select "Aec Auto Setup"
- 3) Until the screen prompts "Finished", then hang up and the setup is complete



2. When Carplay fails to connect or disconnects or black screen

Check as the following steps:

- 1) Restore network settings on the phone
- 2) Go to "WirelessDev" and then "BT Reset"
- 3) Change the wifi channel, restart takes effect
- 4) Check if the antenna is away from metal and close to the phone
- 5) Clear the Bluetooth connection record, re-pair and reconnect

