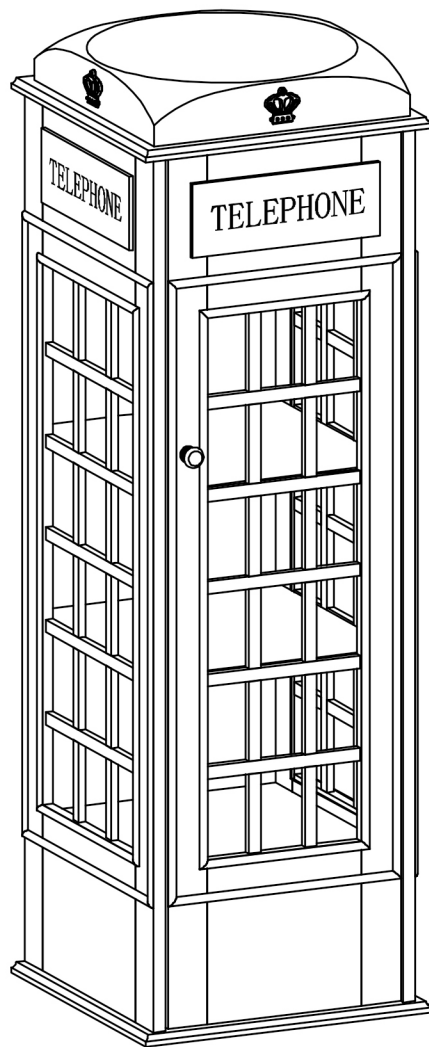
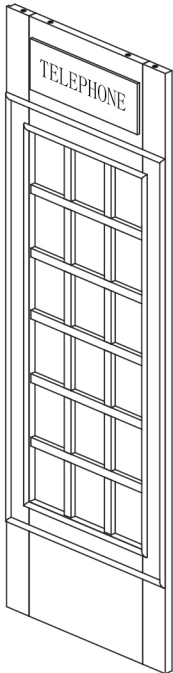


# Etagere Bookshelf Installation



# PART LIST

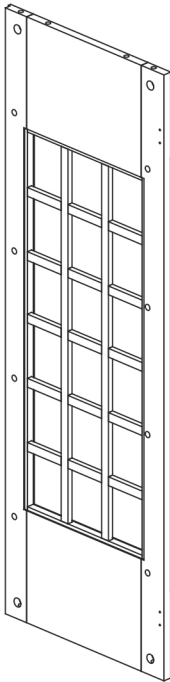
A



Left Board

X 1

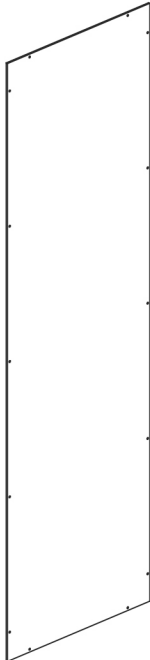
B



Right Board

X 1

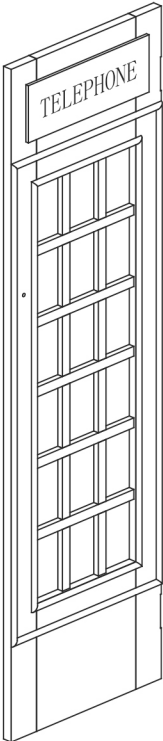
C



Back Board

X 1

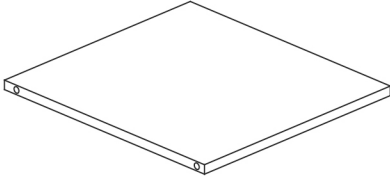
D



Door Board

X 1

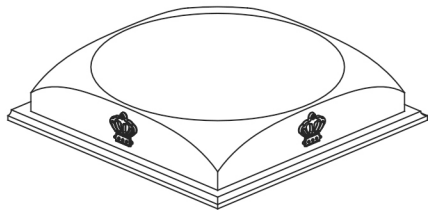
E



Sideboard

X 4

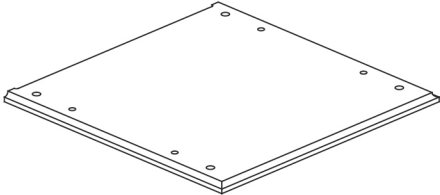
F



Topboard

X 1

G

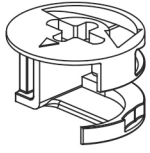


Bottom Board

X 1

# PART LIST

1



Ø15x10MM

X 24

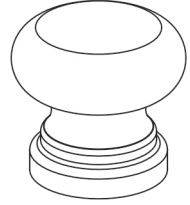
2



Ø6x35MM

X 24

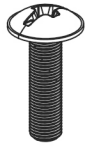
3



Ø30MM

X 1

4



M4x18MM

X 1

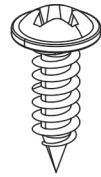
5



Ø8x30MM

X 8

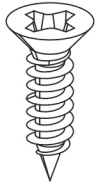
6



Ø3x14MM

X 16

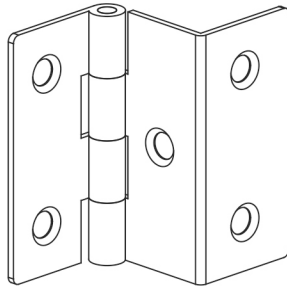
7



Ø3x12MM

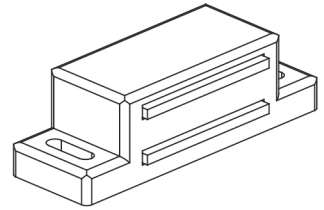
X 10

8



X 2

9

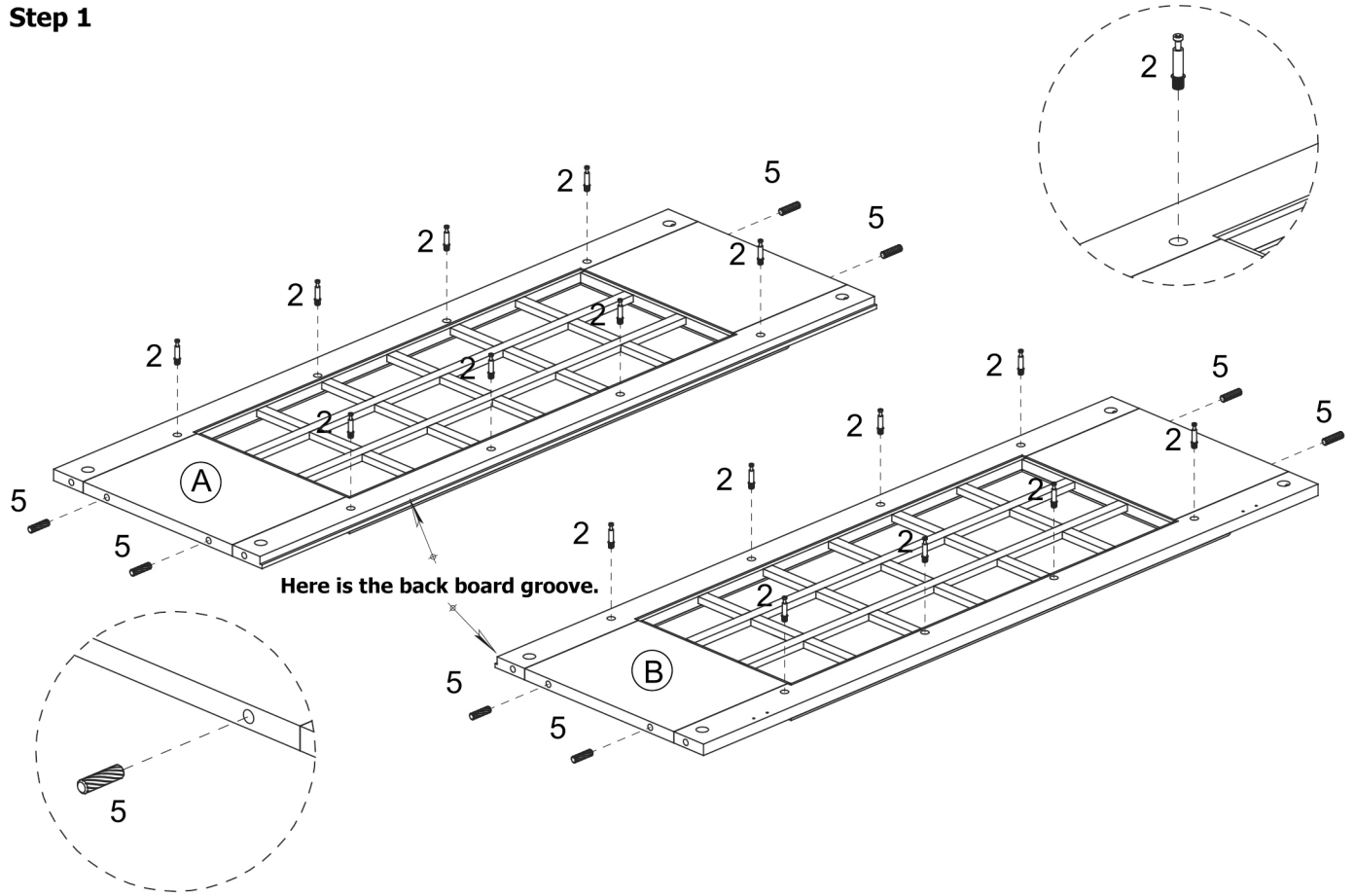


46x15x14MM

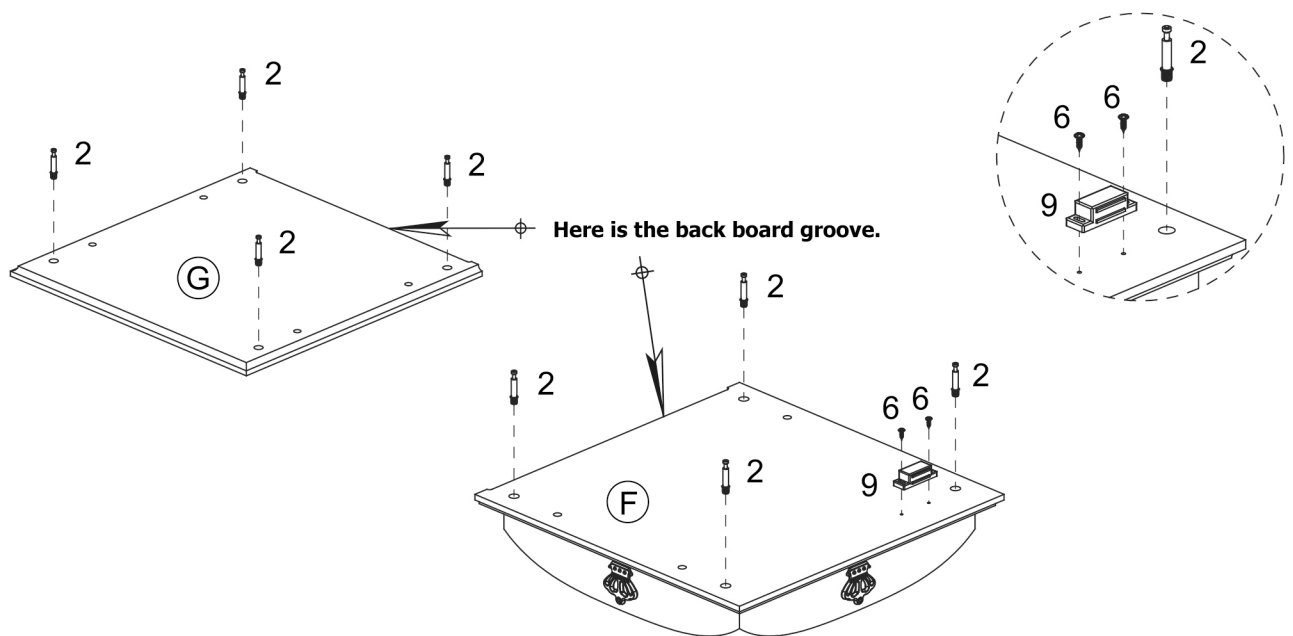
X 1

# ASSEMBLY STEP

## Step 1

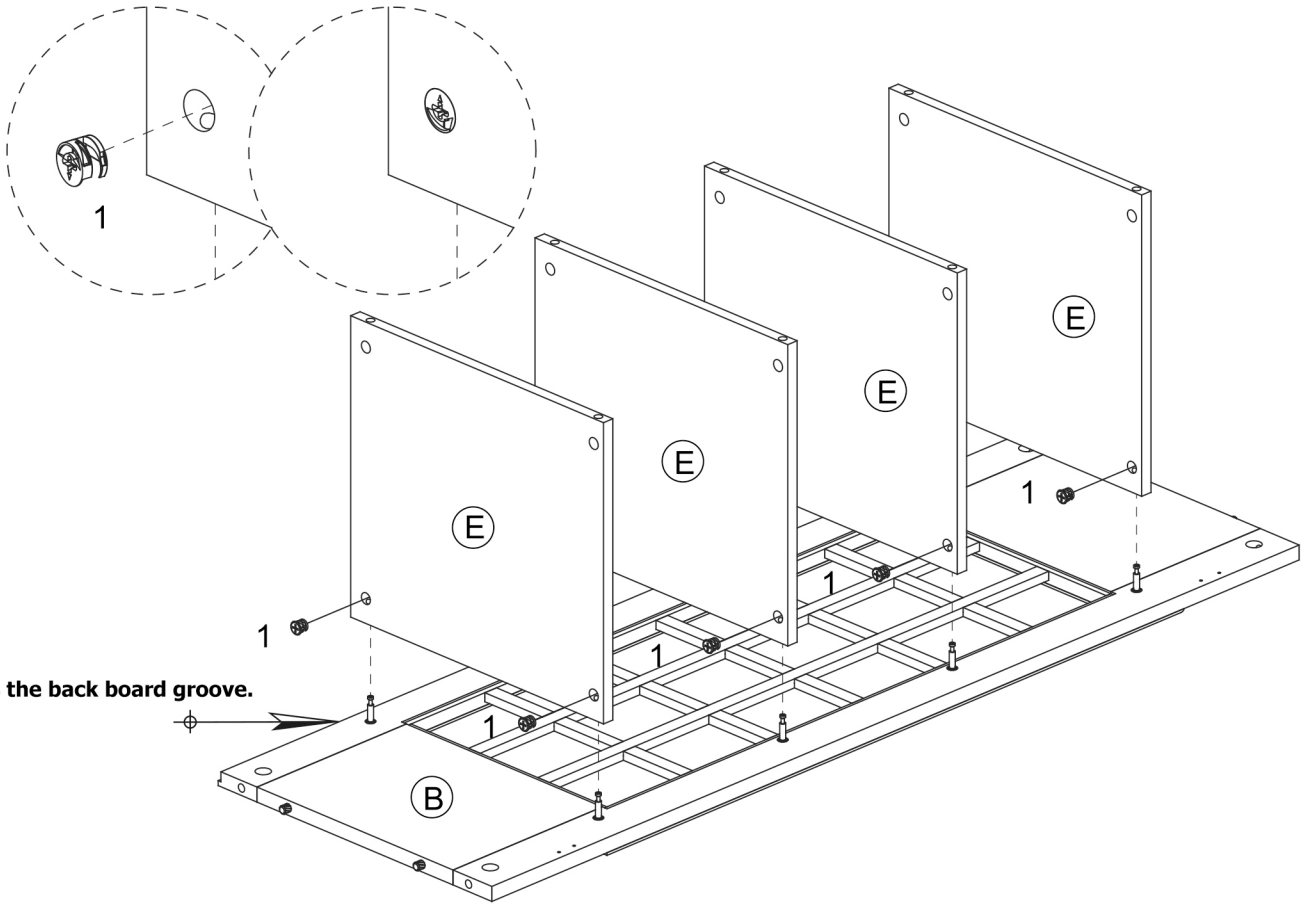


## Step 2

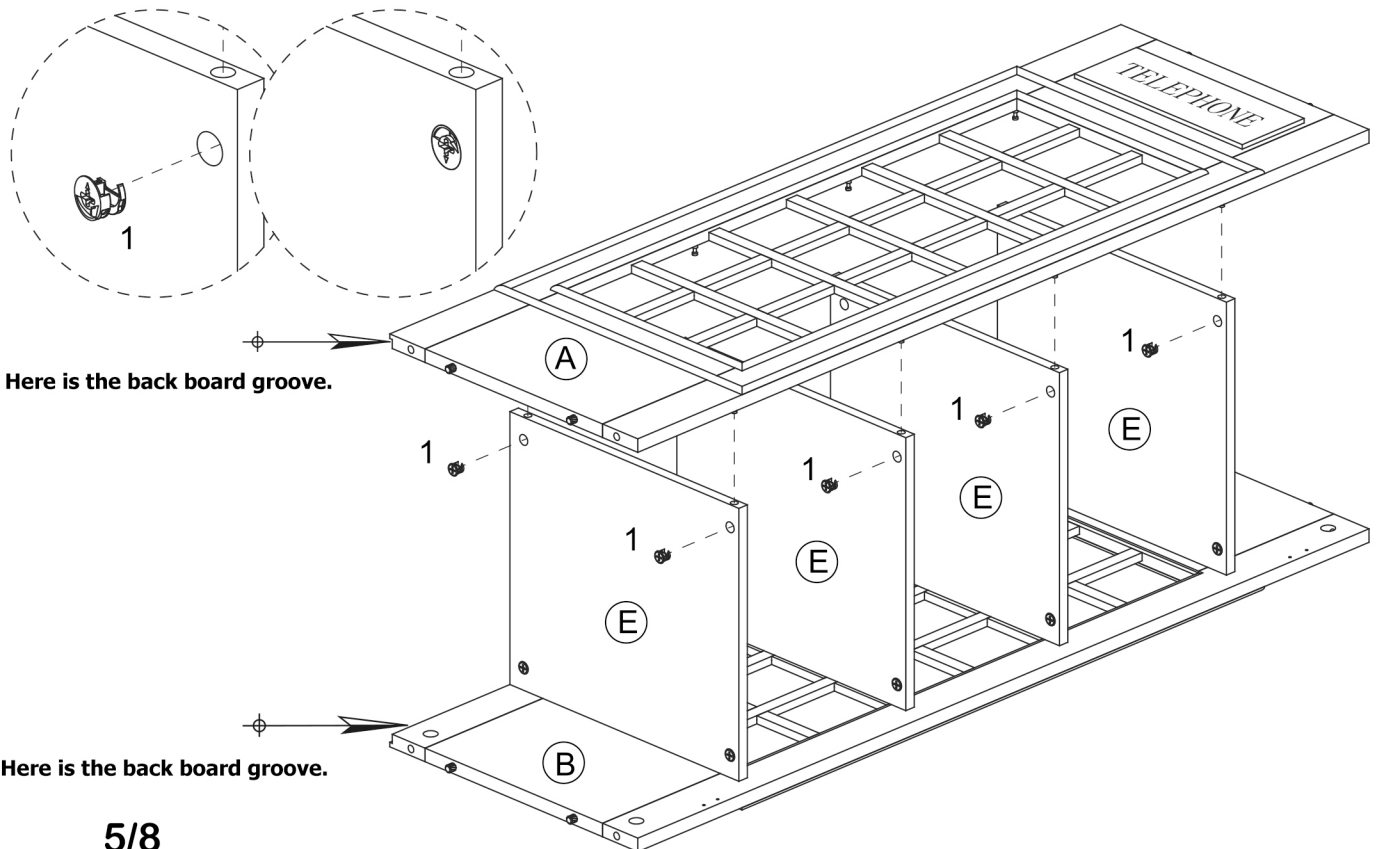


# ASSEMBLY STEP

## Step 3

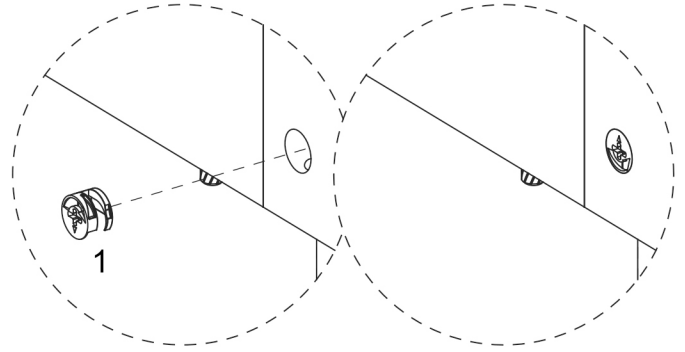
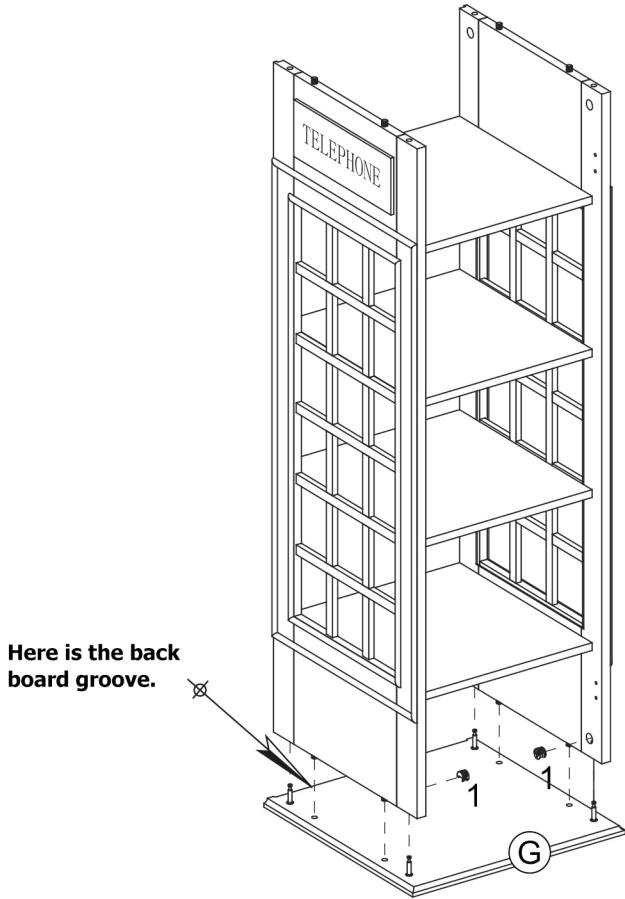


## Step 4

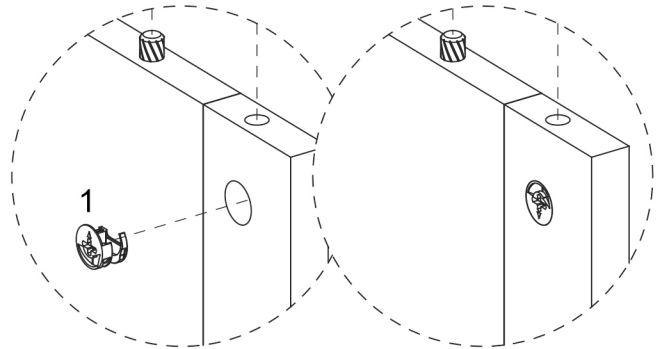
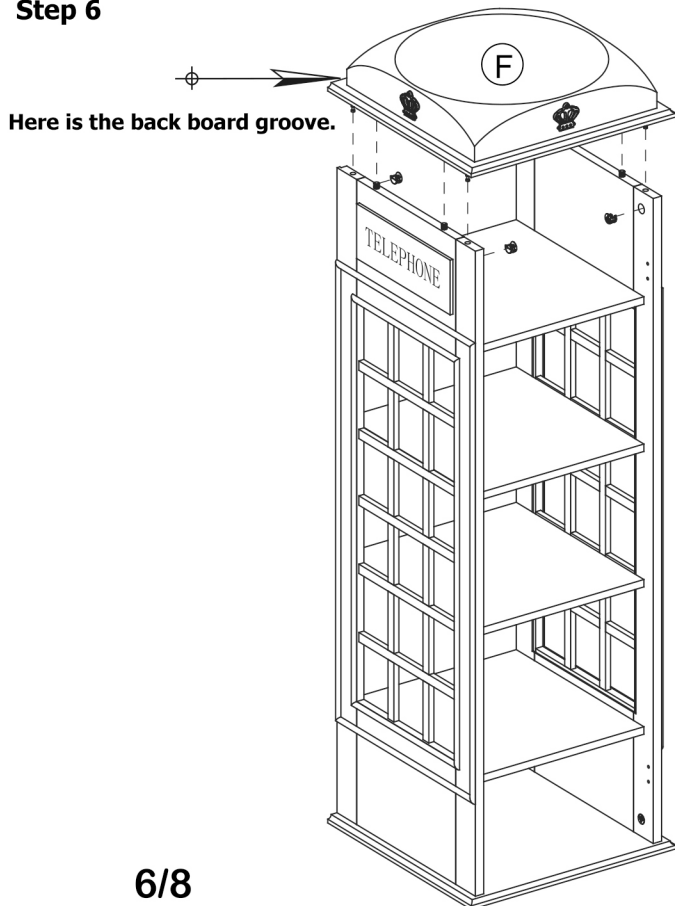


# ASSEMBLY STEP

## Step 5



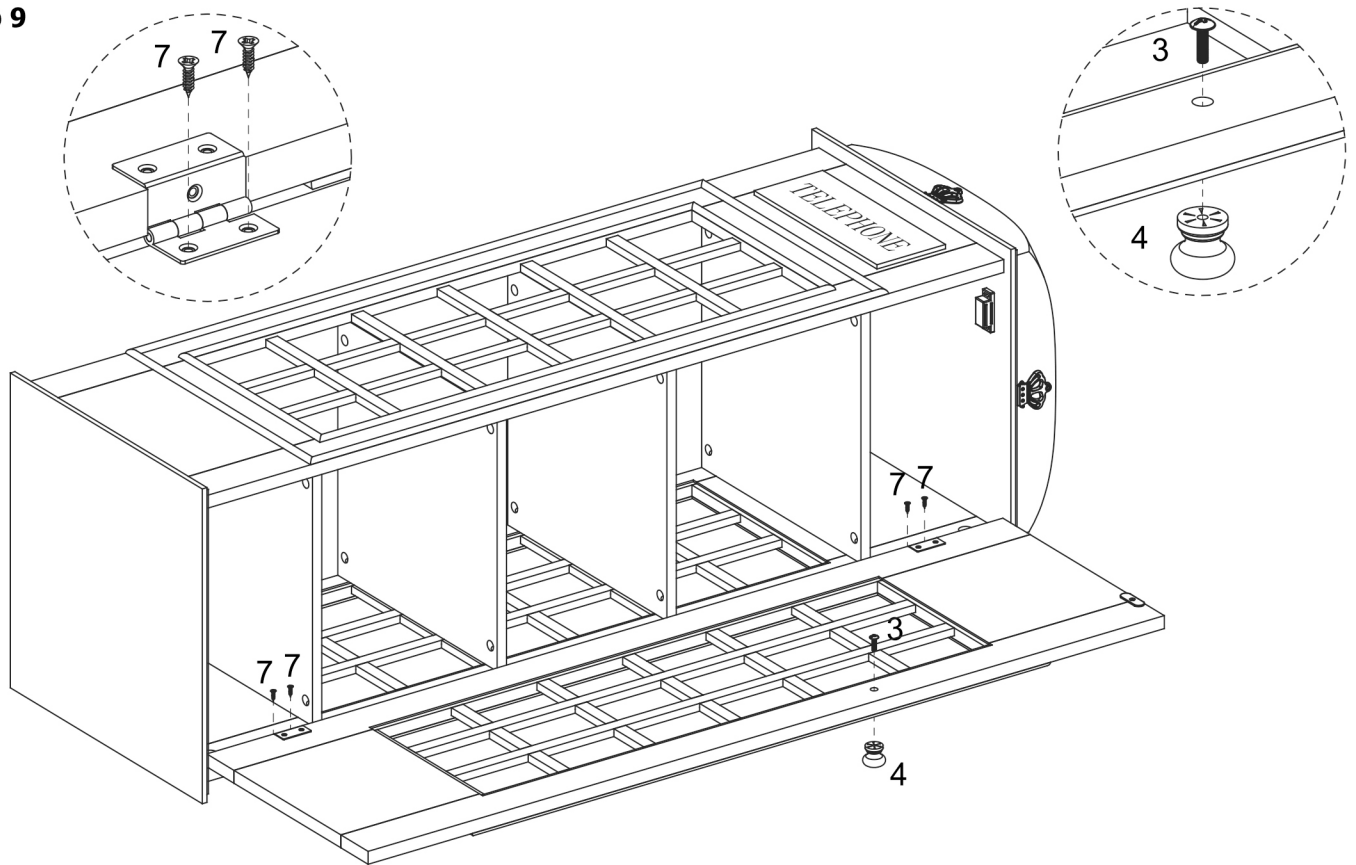
## Step 6





# ASSEMBLY STEP

## Step 9



## Step 10

