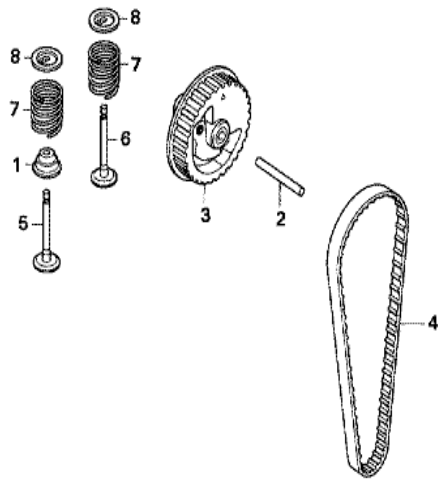


GX35T(ST4)

E-10 CAMSHAFT PULLEY



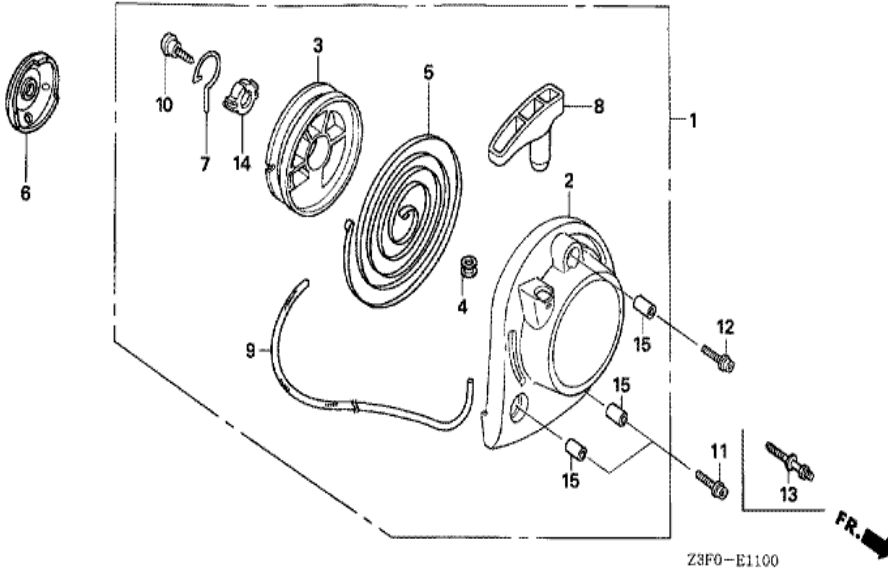
Z3F0-E1000



<u>Ref</u>	<u>Partnumber</u>	<u>Description</u>	<u>GX35T</u>	<u>Serial Numbers</u>
001	12209-Z3E-003	SEAL, VALVE STEM	1	
002	14126-Z0Z-003	ROLLER, 4X31.8	1	
003	14320-Z0Z-000	PULLEY COMP., CAMSHAFT	1	
004	14400-Z3F-003	BELT, TIMING (76ZU7 G-300)	1	2696535
004	14400-Z3F-013	BELT, TIMING (76ZU6 G-310)	1	2696536 4496660
004	14400-Z3F-801	BELT, TIMING (76ZU5 G-310)	1	4496661
005	14711-Z0Z-800	VALVE, IN. (ZI)	1	
005	14711-Z3F-000	VALVE, IN. (FI)	1	
006	14721-Z0Z-800	VALVE, EX. (ZE/ZZE)	1	
006	14721-Z3F-000	VALVE, EX. (FE)	1	
007	14751-Z0Z-000	SPRING, VALVE	2	
008	14771-Z3F-000	RETAINER, VALVE SPRING	2	

GX35T(ST4)

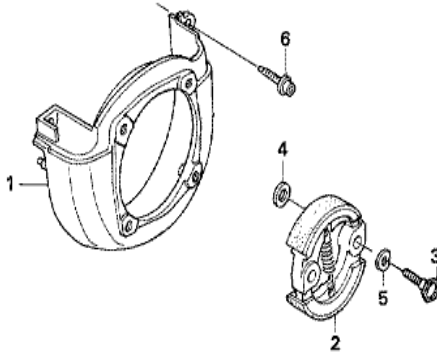
E-11 RECOIL STARTER



<u>Ref</u>	<u>Partnumber</u>	<u>Description</u>	<u>GX35T</u>	<u>Serial Numbers</u>
001	28400-Z0Z-003	STARTER ASSY., RECOIL	1	3016607
001	28400-Z3F-M01	STARTER ASSY., RECOIL	1	3016608
002	28414-Z0Z-000	CASE, RECOIL STARTER	1	3016607
002	28414-Z3F-M01	CASE, RECOIL STARTER	1	3016608
003	28421-ZM3-003	REEL, RECOIL STARTER	1	
004	28433-ZM3-003	GUIDE, ROPE	1	
005	28442-Z0H-003	SPRING, RECOIL STARTER	1	
006	28451-Z0H-003	PULLEY, RECOIL STARTER	1	
007	28459-Z0H-003	ARM, SWING	1	
008	28461-Z3F-M01	KNOB, RECOIL STARTER	1	3016608
008	28461-ZM3-003	KNOB, RECOIL STARTER	1	3016607
009	28462-ZM3-003	ROPE, RECOIL STARTER	1	
010	90012-ZM3-003	SCREW, SETTING	1	
<u>Ref</u>	<u>Partnumber</u>	<u>Description</u>	<u>GX35T</u>	<u>Serial Numbers</u>
012	90018-Z0H-003	BOLT, SOCKET, 5X16	1	2944140
012	90018-Z3E-901	BOLT, SOCKET, 5X16	1	2944141
014	91504-ZM3-003	COLLAR	1	
015	91506-ZM3-000	COLLAR A, HEAD COVER	3	

GX35T(ST4)

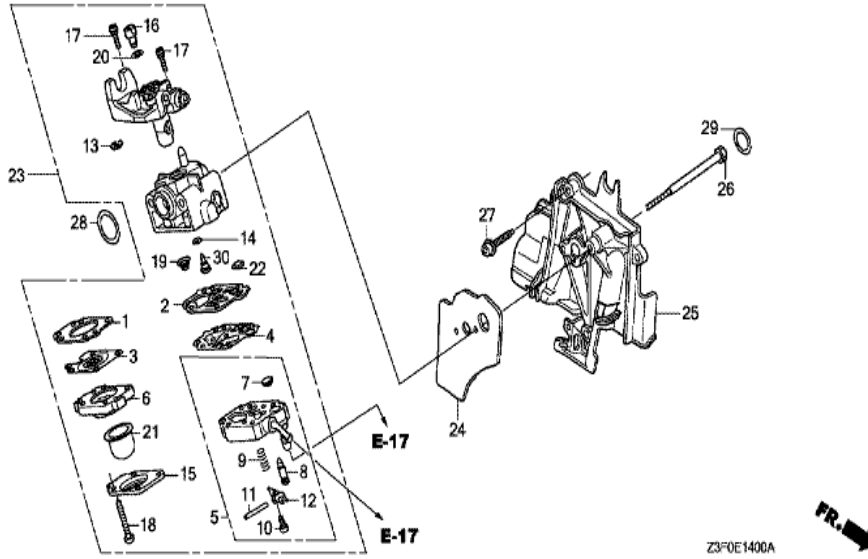
E-12 FAN COVER/CLUTCH



Z3F0-E1200

<u>Ref</u>	<u>Partnumber</u>	<u>Description</u>	<u>GX35T</u>	<u>Serial Numbers</u>
001	19611-Z0Z-000	COVER, FAN	1	
002	22000-Z0Z-003	CLUTCH ASSY. (ACRO)	1	
003	22253-Z3F-000	BOLT, CLUTCH (8MM)	2	
004	22254-Z3F-000	WASHER, CLUTCH (8X17)	2	
005	22255-Z3F-000	WASHER, WAVE (10MM)	2	
006	90009-Z0H-003	BOLT, SOCKET, 5X20	3	2944140
006	90009-Z3E-901	BOLT, SOCKET, 5X20	3	2944141

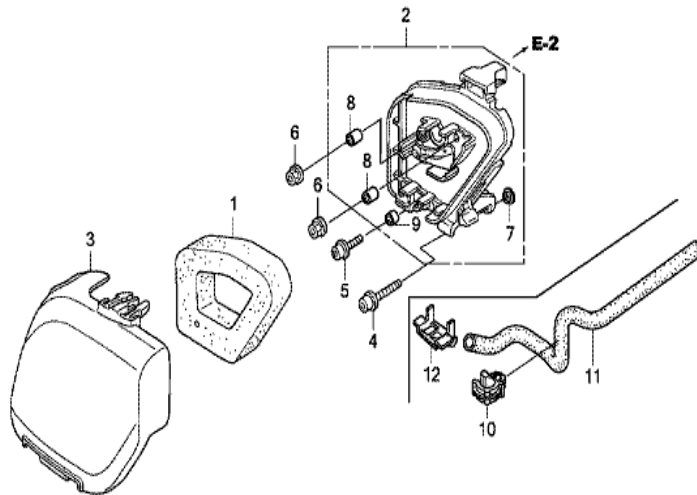
GX35T(ST4)	E-14 CARBURETOR
------------	-----------------



<u>Ref</u>	<u>Partnumber</u>	<u>Description</u>	<u>GX35T</u>	<u>Serial Numbers</u>
001	16010-ZM3-004	GASKET, METERING DIAPHRAGM	1	
002	16011-Z0H-013	GASKET, PUMP	1	
003	16013-Z0H-003	DIAPHRAGM ASSY., METERING	1	
004	16014-ZM3-004	DIAPHRAGM, PUMP	1	
005	16015-Z0H-013	BODY ASSY., PUMP	1	
006	16017-ZM3-004	BODY ASSY., AIR PURGE	1	
007	16018-ZM3-802	SCREEN, INLET	1	
008	16019-ZM3-004	VALVE, INLET NEEDLE	1	
009	16020-ZM3-004	SPRING, METERING LEVER	1	
010	16021-ZM3-004	SCREW, METERING LEVER PIN	1	
011	16022-ZM3-014	PIN, METERING LEVER	1	
012	16023-ZM3-004	LEVER, METERING	1	
013	16024-Z0H-003	RING, RETAINING	1	
<u>Ref</u>	<u>Partnumber</u>	<u>Description</u>	<u>GX35T</u>	<u>Serial Numbers</u>
014	16025-ZM3-004	O-RING	1	
015	16026-ZM3-004	COVER, PRIMER PUMP	1	
016	16027-ZM3-004	SWIVEL	1	
017	16028-ZM3-004	SCREW, THROTTLE COLLAR	2	
018	16029-ZM3-004	SCREW, PUMP COVER	4	
019	16030-ZM3-004	SPRING, PUMP	1	
020	16031-ZM3-004	WASHER	1	
021	16032-ZM3-004	PUMP, PRIMER	1	
022	16035-ZM3-802	FILTER, FUEL INLET	1	
023	16100-Z0Z-815	CARBURETOR ASSY. (WYB 14D/E)	1	
024	16221-Z0Z-000	PACKING, CARBURETOR	1	
025	19631-Z0Z-010	SHROUD	1	4149883
025	19631-Z0Z-020	SHROUD	1	4149884
026	90014-Z0H-003	BOLT, 5X53	2	
027	90018-Z0H-003	BOLT, SOCKET, 5X16	2	2944140
027	90018-Z3E-901	BOLT, SOCKET, 5X16	2	2944141
028	91301-ZM3-000	O-RING, 14.8X2.4	1	
029	91308-Z3E-000	O-RING, 12.3X2.4	1	
030	99101-Z0Z0360	JET (#36)	(1)	
030	99101-Z0Z0370	JET (#37)	1	
030	99101-ZM50350	JET (#35)	(1)	

GX35T(ST4)

E-15 AIR CLEANER (1)

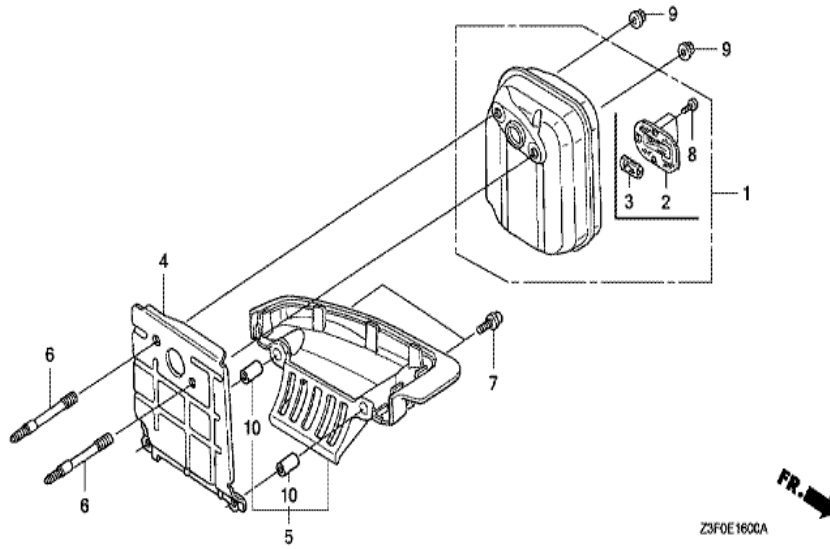


Z3F0E1500B

Ref	Partnumber	Description	GX35T	Serial Numbers
001	17211-Z0Z-000	ELEMENT, AIR CLEANER	1	
002	17220-Z0Z-000	CASE COMP., AIR CLEANER	1	3142483
002	17220-Z0Z-010	CASE COMP., AIR CLEANER	1	3142484
003	17231-Z0Z-010	COVER, AIR CLEANER	1	
004	90009-Z0Z-003	BOLT, SOCKET, 5X25	1	
004	90009-Z3F-901	BOLT, SOCKET, 5X25	1	2944141
005	90018-Z0H-003	BOLT, SOCKET, 5X16	1	2944140
005	90018-Z3E-901	BOLT, SOCKET, 5X16	1	2944141
006	94050-05000	NUT, FLANGE, 5MM	2	
007	91501-Z0Z-000	COLLAR, AIR CLEANER CASE	1	
008	91503-ZM3-000	COLLAR, AIR CLEANER	2	
009	91506-ZM3-000	COLLAR A, HEAD COVER	1	

GX35T(ST4)

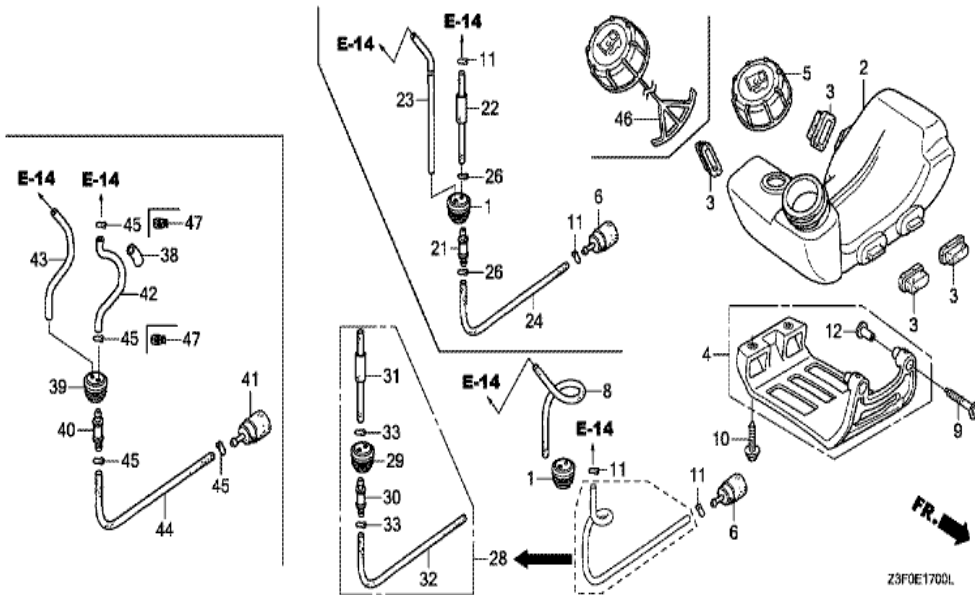
E-16 MUFFLER



Ref	Partnumber	Description	GX35T	Serial Numbers
001	18310-Z0Z-801	MUFFLER COMP. (ARRESTER)	1	3142483
001	18310-Z0Z-802	MUFFLER COMP. (ARRESTER)	1	3142484
002	18350-Z0Z-800	ARRESTER COMP., SPARK	1	
002	18350-Z0Z-801	ARRESTER COMP., SPARK	1	
003	18354-Z0Z-800	FILTER, EXHAUST	1	
004	18515-Z0Z-300	GUIDE, AIR	1	
005	18518-Z0Z-020	GUIDE COMP., UNDER AIR	1	
006	90001-Z0Z-013	BOLT, STUD, 5X56.5	2	
007	90018-Z0H-003	BOLT, SOCKET, 5X16	2	2944140
007	90018-Z3E-901	BOLT, SOCKET, 5X16	2	2944141
008	90055-ZE1-000	SCREW, TAPPING, 4X6	3	
009	90136-SM4-901	NUT, SELF-LOCK, 5MM	2	
010	91506-ZM3-000	COLLAR A, HEAD COVER	2	

GX35T(ST4)

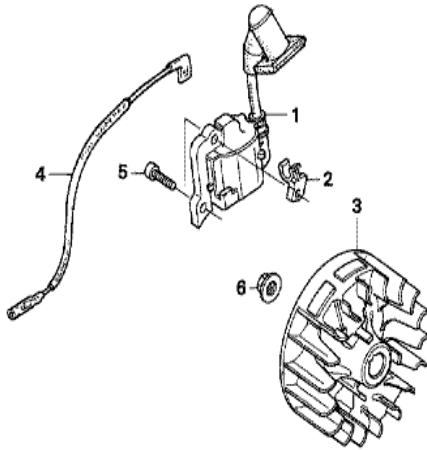
E-17 FUEL TANK (1)



<u>Ref</u>	<u>Partnumber</u>	<u>Description</u>	<u>GX35T</u>	<u>Serial Numbers</u>
002	17511-Z0Z-013	TANK, FUEL	1	
003	17533-Z0H-000	RUBBER, TANK MOUNTING	4	
004	17555-Z0Z-000	GUARD, TANK	1	
005	17620-ZM3-063	CAP ASSY., FUEL TANK	1	4149883
007	17701-Z0Z-000	TUBE, FUEL TANK	1	2895961
008	17702-Z0Z-000	TUBE, FUEL RETURN	1	2895961
009	90010-Z0H-003	BOLT, SOCKET, 5X30	2	2951024
009	90010-Z3E-901	BOLT, SOCKET, 5X30	2	2951025
010	90018-Z0H-003	BOLT, SOCKET, 5X16	2	2944140
010	90018-Z3E-901	BOLT, SOCKET, 5X16	2	2944141
011	91401-ZM3-003	CLIP, TUBE	2	4149883
012	91501-Z0H-000	COLLAR, TANK GUARD	2	
022	17701-Z0Z-800	TUBE COMP., FUEL FEED	1	2895962 4149883
<u>Ref</u>	<u>Partnumber</u>	<u>Description</u>	<u>GX35T</u>	<u>Serial Numbers</u>
026	91401-ZM3-003	CLIP, TUBE	2	2895962 4149883
028	17700-Z0Z-305	GROMMET ASSY., FUEL TANK	1	2895961
028	17700-Z0Z-305	GROMMET ASSY., FUEL TANK	1	2895961
038	16865-Z6J-010	PROTECTOR, TUBE	1	
039	17504-ZM3-003	GROMMET, FUEL TUBE	1	
040	17519-ZM5-003	FITTING	1	4149884
041	17672-Z0H-003	FILTER, FUEL	1	
042	17701-Z0Z-801	TUBE COMP., FUEL FEED	1	
043	17702-Z0H-003	TUBE, FUEL RETURN	1	
044	17703-Z6K-801	TUBE A, FUEL	1	
045	91401-Z3E-000	CLIP, TUBE (B1 5)	4	4149884
046	17620-ZM3-817	CAP ASSY., FUEL TANK	1	4149884

GX35T(ST4)

E-19 FLYWHEEL

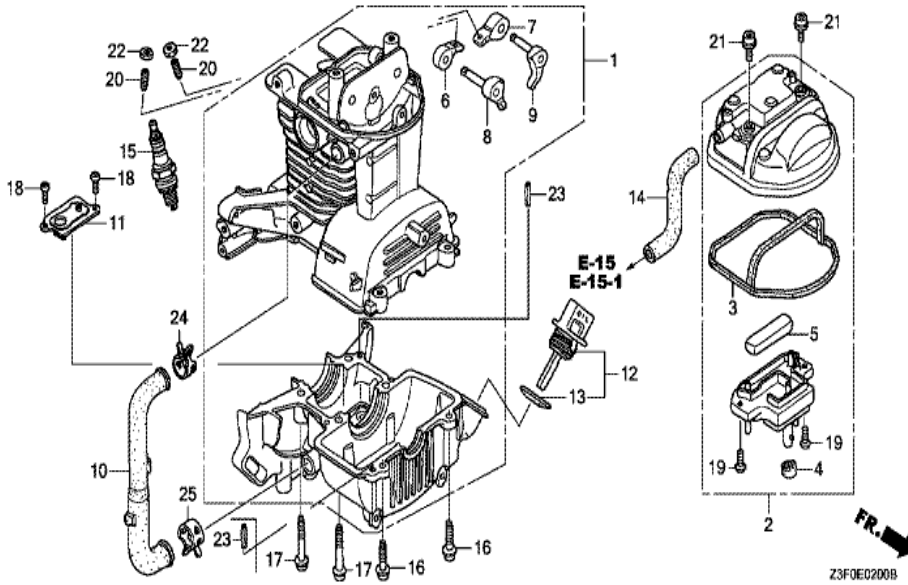


Z3F0-E1900

<u>Ref</u>	<u>Partnumber</u>	<u>Description</u>	<u>GX35T</u>	<u>Serial Numbers</u>
001	30500-Z3F-013	COIL ASSY., IGNITION	1	
002	30522-Z3F-000	CLIP, HIGH TENSION CORD	1	
003	31110-Z3F-003	FLYWHEEL COMP.	1	
004	32195-Z0Z-000	CORD, STOP SWITCH	1	
005	90012-Z3E-003	BOLT, SOCKET, 4X14	2	
006	94050-08000	NUT, FLANGE, 8MM	1	

GX35T(ST4)

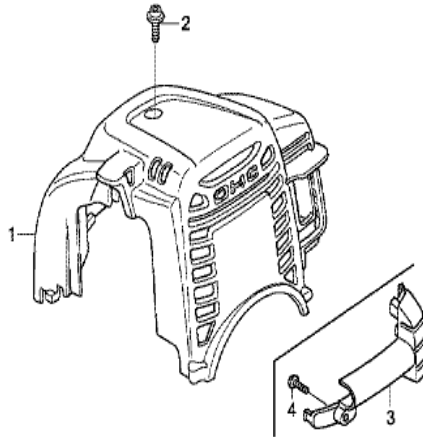
E-2 CRANKCASE SET



<u>Ref</u>	<u>Partnumber</u>	<u>Description</u>	<u>GX35T</u>	<u>Serial Numbers</u>
001	10100-Z3F-405	CRANKCASE SET	1	
002	12310-Z0Z-000	COVER COMP., CYLINDER HEAD	1	
003	12312-Z0Z-300	SEAL, HEAD COVER	1	
004	12314-Z0H-300	GROMMET, HEAD COVER	1	
005	12367-Z0H-000	FILTER, BREATHER	1	
006	14431-Z0H-003	ARM, IN. VALVE ROCKER	1	
007	14441-Z0H-003	ARM, EX. VALVE ROCKER	1	
008	14730-Z0Z-000	LIFTER COMP., IN. VALVE	1	
009	14740-Z0Z-000	LIFTER COMP., EX. VALVE	1	
010	15422-Z0Z-000	TUBE, OIL	1	
011	15510-Z3E-000	PLATE ASSY., OIL OUTLET VALVE	1	
012	15600-Z3F-000	CAP ASSY., OIL FILLER	1	
013	15625-Z0T-800	PACKING, OIL FILLER CAP	1	
<u>Ref</u>	<u>Partnumber</u>	<u>Description</u>	<u>GX35T</u>	<u>Serial Numbers</u>
014	15721-Z0Z-000	TUBE, BREATHER	1	
015	31914-Z0H-003	PLUG, SPARK (CMR4H) (NGK)	(1)	
015	31915-Z0H-003	PLUG, SPARK (CMR5H) (NGK)	1	
015	31916-Z0H-003	PLUG, SPARK (CMR6H) (NGK)	(1)	
016	90009-Z0H-003	BOLT, SOCKET, 5X20	2	2944140
016	90009-Z3E-901	BOLT, SOCKET, 5X20	2	2944141
017	90010-Z0Z-003	BOLT, SOCKET, 5X32	4	
018	90013-Z3E-003	SCREW, PAN, 4X8	2	
019	90013-Z3F-003	SCREW, PAN, 4X8	2	
020	90017-Z0H-000	SCREW, TAPPET ADJUSTING	2	
021	90019-Z0H-003	BOLT, SOCKET, 5X12	2	
022	90206-ZM3-000	NUT, TAPPET ADJUSTING	2	
023	94305-40102	PIN, SPRING, 4X10	1	
024	95002-4120008	CLAMP, TUBE (D12)	1	
025	95002-4130004	CLAMP, TUBE (D13)	1	

GX35T(ST4)

E-27 TOP COVER

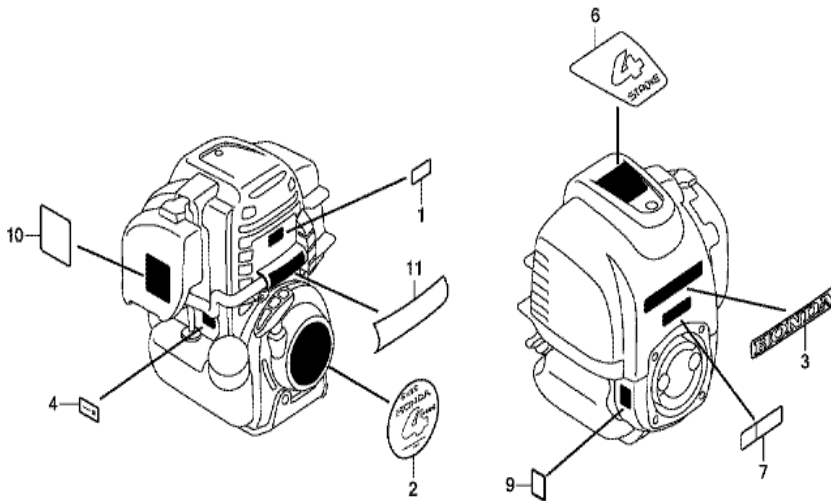


Z3F0E2700A

<u>Ref</u>	<u>Partnumber</u>	<u>Description</u>	<u>GX35T</u>	<u>Serial Numbers</u>
001	19720-Z0Z-000ZA	COVER COMP., TOP *R280 *	1	5178636
001	19720-Z0Z-010ZA	COVER COMP., TOP *R280*	1	5178637
002	90015-Z0H-003	BOLT, TOP COVER	1	2944140
002	90015-Z3E-900	BOLT, TOP COVER	1	2944141

GX35T(ST4)

E-28 LABEL

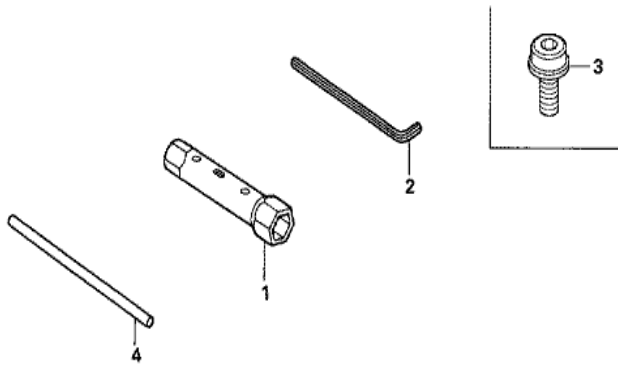


Z3F0E28000

<u>Ref</u>	<u>Partnumber</u>	<u>Description</u>	<u>GX35T</u>	<u>Serial Numbers</u>
002	87521-Z3F-010	MARK, EMBLEM	1	5178636
002	87521-Z3F-900	MARK, EMBLEM	1	5178637
004	87601-Z3E-870	MARK, TYPE (ST4)	1	
006	87660-Z0Z-000	MARK (4-STROKE)	1	5178636
006	87660-Z3F-900	MARK (4-STROKE)	1	5178637
009	87114-ZH7-840	LABEL, WARNING (NOT CERTIFIED FOR SALE)	1	
010	87519-Z6J-000	MARK, OPERATOR CAUTION (PICTOGRAPH)	1	

GX35T(ST4)

E-29 TOOL

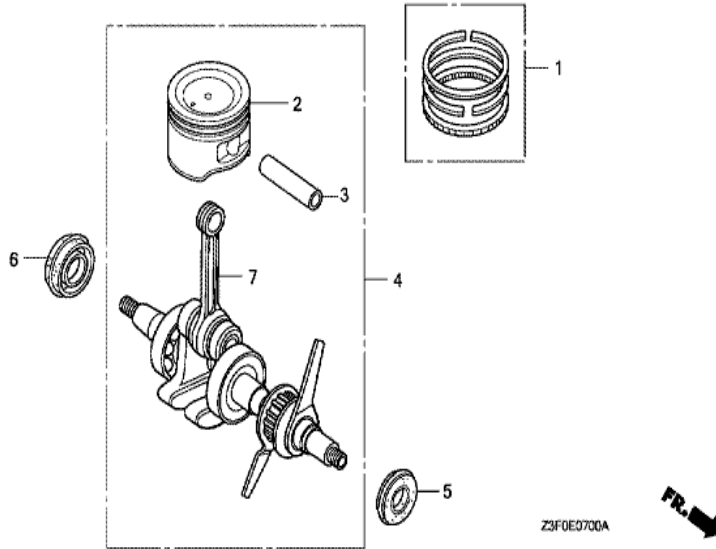


Z3F0-E2900

<u>Ref</u>	<u>Partnumber</u>	<u>Description</u>	<u>GX35T</u>	<u>Serial Numbers</u>
001	89216-VJ3-J10	WRENCH, PLUG (16X19)	(1)	
002	89221-KW3-000	WRENCH, HEX., 4MM	(1)	
003	90011-Z0H-811	BOLT, SOCKET, 5X9	(1)	
004	99005-01000	BAR A, HANDLE	(1)	

GX35T(ST4)

E-7 CRANKSHAFT/PISTON



<u>Ref</u>	<u>Partnumber</u>	<u>Description</u>	<u>GX35T</u>	<u>Serial Numbers</u>
001	13010-Z3F-003	RING SET, PISTON (TPR)	1	4436508
001	13010-ZM5-000	RING SET, PISTON (RIKEN)	1	
002	13101-Z0Z-010	PISTON	1	3309970
002	13101-Z3F-000	PISTON	1	3309971
003	13111-ZM5-000	PIN, PISTON	1	
004	13310-Z0Z-010	CRANKSHAFT COMP.	1	3309970
004	13310-Z3F-000	CRANKSHAFT COMP.	1	3309971
005	91212-Z3E-003	OIL SEAL, 10X20X5	1	
006	91214-Z3F-003	OIL SEAL, 15X25X6	1	
007	13310-Z0Z-305	CRANKSHAFT COMP.	(1)	3309970
007	13310-Z3F-305	CRANKSHAFT COMP.	(1)	3309971