

MODERN GROWER

@moderngrower

shop.moderngrower.co

If you have questions, please reach out hello@moderngrower.co



Watch video instructions.

Kwik Klik® Drop Seeder

Product Overview

The Kwik Klik® Drop Seeder is an amazing time saving tool that can simultaneously plant 264 seeds with one click. With a durable powder coated aluminum frame, adjustable brass feet, and top quality hardware, it's built to last.

The Kwik Klik frame requires both a Top Plate and a Bottom Plate for operation. Both plates must coincide with the number and pattern of cells in your tray (50, 72, 128, 264, etc.). The thickness of the Top Plate and the diameter of the holes are customizable to accommodate the size of seed you are planting. Plates can be made to accommodate all kinds of trays.

Selecting a Seed Plate

When selecting your seed plates, there are three factors that determine how many seeds go into each cell of your tray:

1. The number and pattern of cells in your tray (both plates must match this).
2. The thickness of the Top Plate.
3. The diameter of the holes in the Top Plate.

Thinner plates allow fewer seeds per hole. Thicker plates enable you to put multiple seeds in each hole. Thicker plates are particularly useful when seeding microgreens, or clusters of seeds in each cell. Larger seeds require larger holes. But a larger hole, together with a thicker plate, can be used to seed more seeds per hole.

Compatible Trays

Seed Plates for the Kwik Klik® Drop Seeder can be customized for the following trays:

- Paperpot Trays (264 cell)
- Standard Trays (50 cell, 72 cell, 128 cell, and 200 cell)
- Microgreen 1020 Trays or Microgreen Paperpot Trays
- Winstrip Trays (50 cell, 72 cell, and 128 cell)
- Oasis cubes, Proptek trays, and more

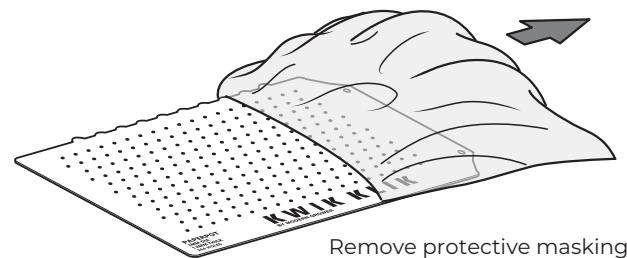
Seed Plate Guides

The included Seed Plate Guides will allow you to experiment with your seeds to determine which plates you'll need for your plantings. There is one guide for each of the most common Top Plate thicknesses: **1.5mm** and **3mm**.

Seed Plate Care and Instructions

1 Remove the protective masking.

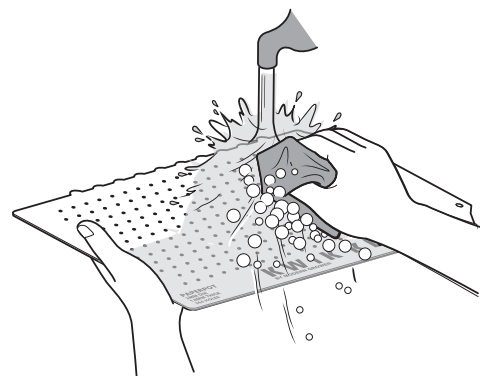
- Each seed plate is clear acrylic and permanently labeled so it will be easy to tell them apart.
- We ship all seed plates with protective masking on them. The masking is on BOTH sides of the seed plate and it needs to be removed prior to use. The masking can be removed by getting under an edge using a sharp piece of plastic.
- If your plate is NOT clear, then there is still a layer of masking on the acrylic.



Remove protective masking on both sides.

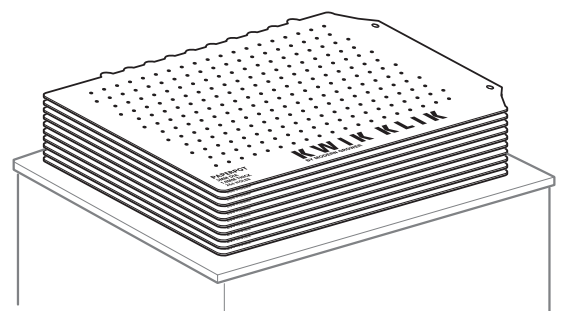
2 Wash the plates before use.

- When you remove the protective masking from the seed plates, the plates will likely charge with static electricity.
- To remove that static build-up, wash the plates with soap and water.
- Don't soak the plates in water, quickly wet, wash with soap, and dry them.
- The metal frame of the Kwik Klik should significantly reduce the amount of static electricity present, but sometimes the acrylic seed plates will still build up a charge. Washing the Seed Plates or using ACL Staticide is an easy way to remove that static.



3 Store the plates in a protected location

- The seed plates can warp if they are not stored correctly. Please store the seed plates flat on a shelf like plates. Do not hang them or store them vertically like books on a shelf.
- Store the seed plates in an area that isn't exposed to extreme temperature, direct sunlight and/or humidity like the greenhouse.
- While acrylic is relatively stable, it can deform and deflect due to heat and moisture, which will cause issues with how the plates perform.

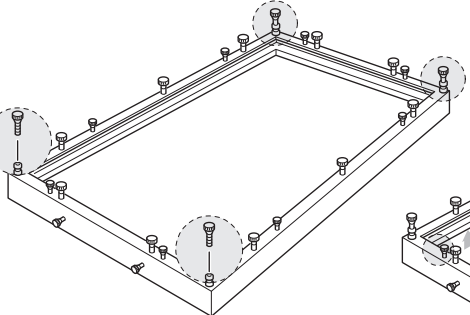


Setting up

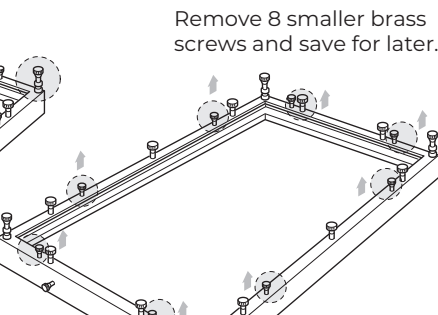
These are the steps for preparing the Kwik Klik® Drop Seeder with a paperpot bottom plate (264 holes) and the appropriate top plate (according to your seed size).

If using the seed plates for the first time, you will need to remove the plastic masking from BOTH sides of the plate.

1 To install the bottom plate, begin by attaching the 4 brass legs on the corners of the frame, hand tighten only.

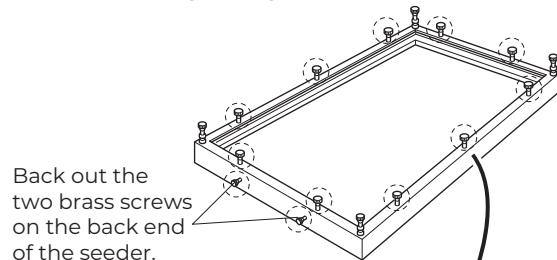


Remove 8 smaller brass screws and save for later.




Use the shorter legs for seeding Paperpot trays.
Use the longer legs for air prune and cell trays.

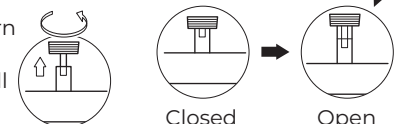
2 Open the spring pins by pulling up and turning 90 degrees.



Back out the two brass screws on the back end of the seeder.

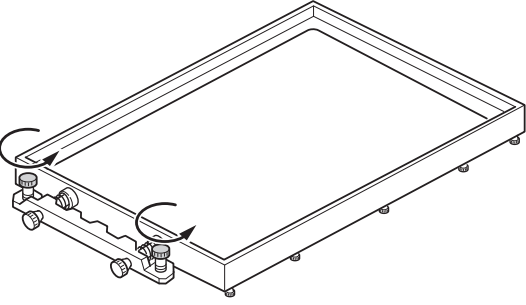


2 Turn
1 Pull up

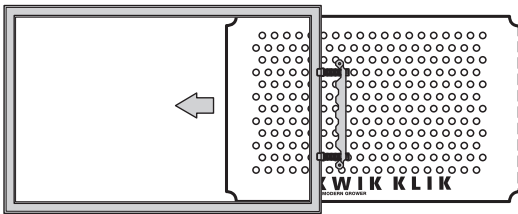


Closed Open

3 Pull up each spring pin and turn counter-clockwise to unlock.



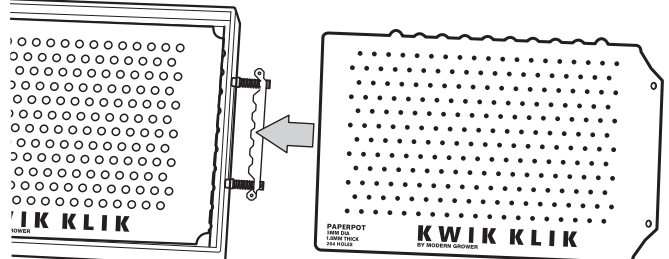
4 Position the frame so the handle is on the right, then position the bottom plate so the imprinted text reads correctly from left to right. Now insert the bottom plate into the right side of the frame (under the spring-loaded handle).



Ensure that the plate is evenly pushed down, resting inside the frame.

Note: If the plate will not clear the edge of the frame under the handle, you may need to lightly sand the scalloped edges of the plate until it will fit.

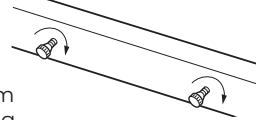
5 To install the top plate, the frame needs to be oriented in the same way - handle on the right.



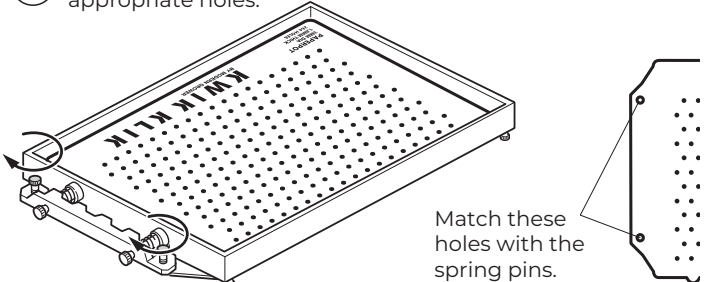
Install the top plate all the way to where the brass spring pins line up with the holes in the plate.

Note: Because each Kwik Klik® drop seeder is assembled by hand, there is the off chance that the plate might not fit perfectly when first installed. If this is the case, you can lightly sand the scalloped edges of the plate to ensure a perfect fit. However, most plates will fit perfectly as is out of the box.

Once the bottom plate is installed, tighten the two brass screws on the back end, so they are making contact with the edge of the plate. This will hold the bottom plate in place to prevent horizontal shifting.

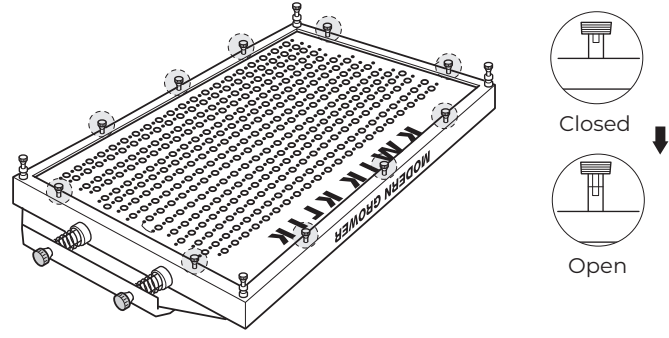


6 Turn each spring pin clockwise to lock them down in the appropriate holes.



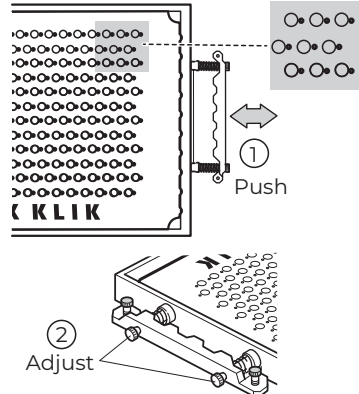
Match these holes with the spring pins.

7 Turn the Kwik Klik® Drop Seeder upside down, turn the spring pins 90 degrees making sure it is in closed position.



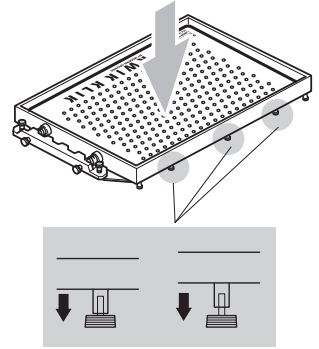
Closed
Open

8 Adjust the holes until the top holes are very close to the bottom holes.



Push
Adjust

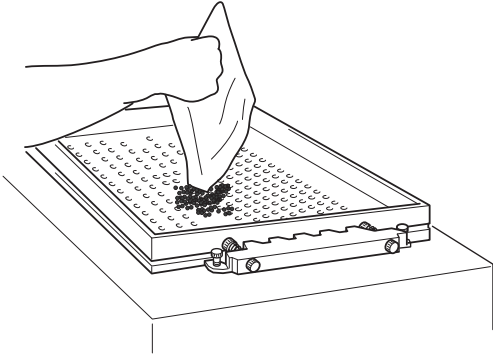
9 Test the spring pins by pushing top plate to the bottom.



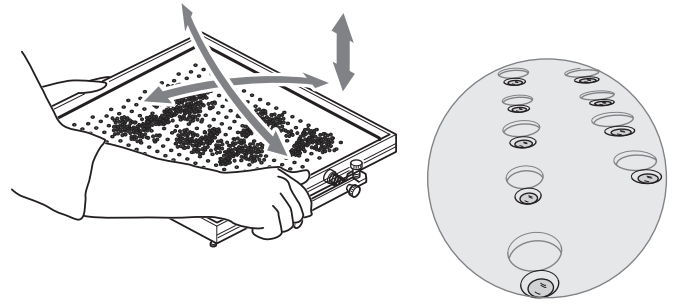
You are now ready for seeding.

How To Use

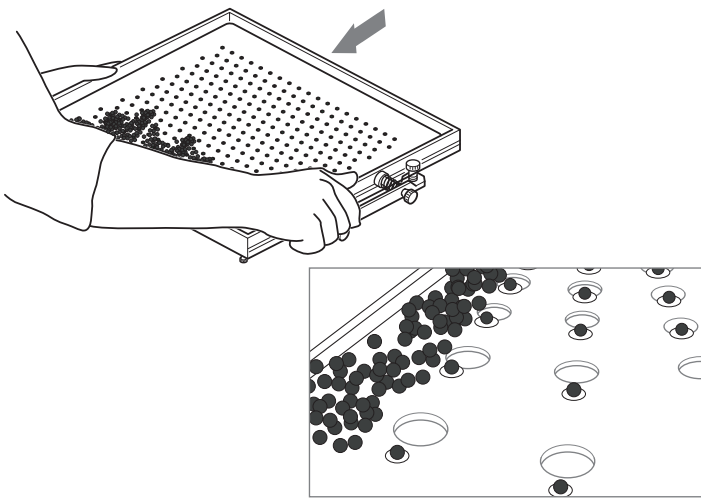
- 1** With the Kwik Klik® Drop Seeder logo facing you, pour an excess of seed onto the top of the drop seeder.



- 2** Pick up the entire drop seeder and rotate it front to back and side to side until the desired seed quantity has fallen into each of the 264 holes in the Top Plate.

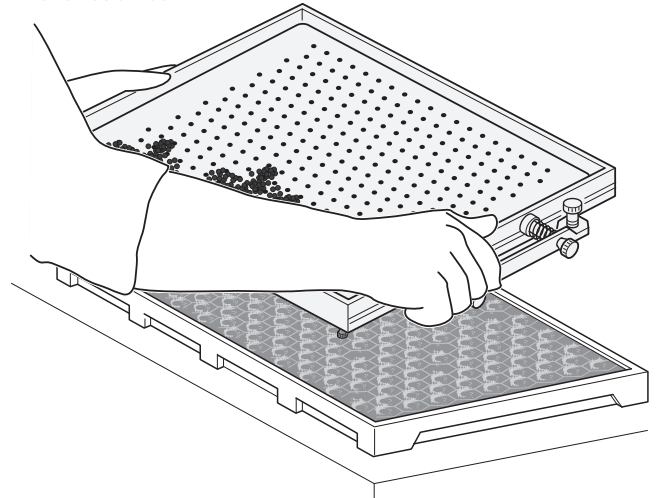


- 3** When all holes are filled with seed, angle the seeder back towards you so all remaining seed slides away from the seeding holes and is collected along the bottom inside edge of the seeder.



If you are seeding more trays of the same crop, then you can leave the excess seed in the seeder.

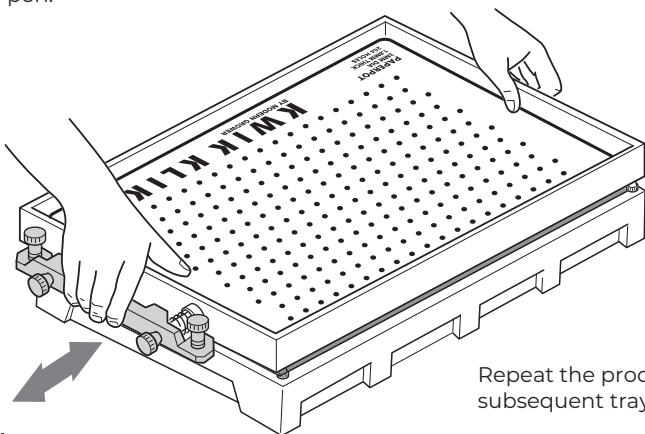
- 4** Align the drop seeder over the tray. This is very similar to aligning the Dibbler over the tray: place the top-left Bottom Plate hole over the cell directly next to the top-left Spreader Frame tooth, and then align the top edge of the drop seeder with the top edge of the frame. Not only is this quick and easy; it will also help you as the clear plastic becomes cloudy over time, making it difficult to visually line up each hole over each cell.



- 5** Once positioned, you can "klik" the Kwik Klik® Drop Seeder by squeezing the spring-loaded handle, dropping all seeds simultaneously into each of the 264 cells.

Note:

For some seed that may be prone to sticking in the holes, it is a good practice to keep the handle squeezed (in the drop position) and to do a quick visual scan to ensure all seeds have dropped and that none are stuck in the holes. If some seeds are stuck, you can manually tap them through with your left hand or the tip of a pen.



Repeat the process for all subsequent trays in your planting.

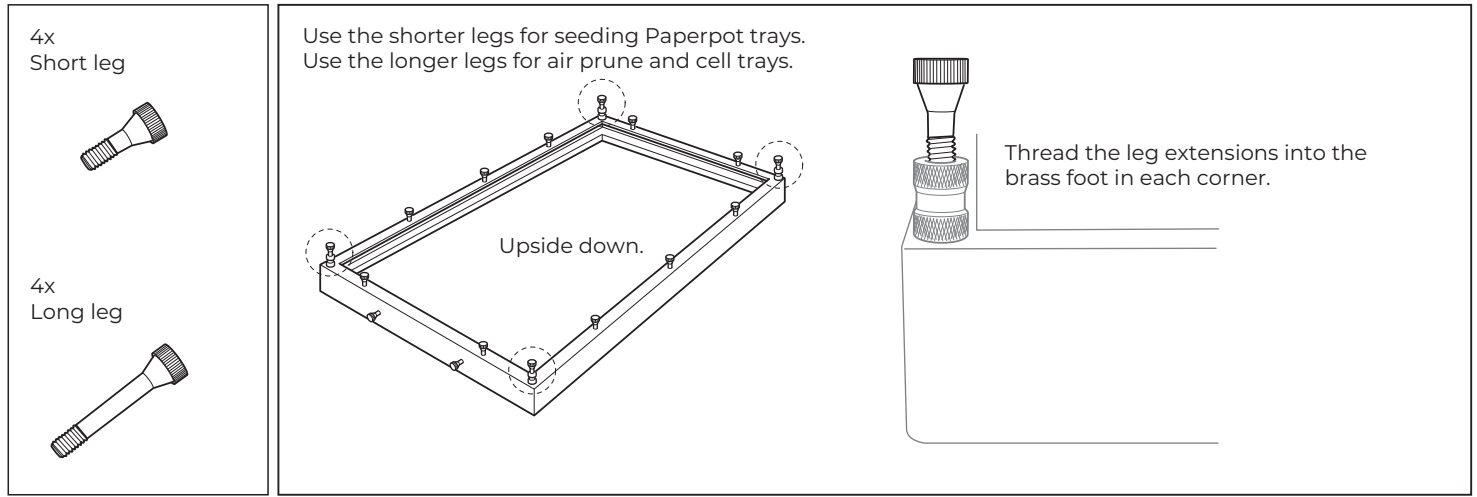
Note:

If static becomes an issue during seeding, we recommend using ACL Staticide. ACL Staticide is a water based product that you lightly spray onto the seed plates and then wipe off. The residue helps minimize static. Reapply as needed.

- 6** When you are done seeding a crop, you can empty out the excess seeds by gently angling the seeder onto a single corner. This will allow you to collect all of the extra seed in one place so you can put it back into its container.



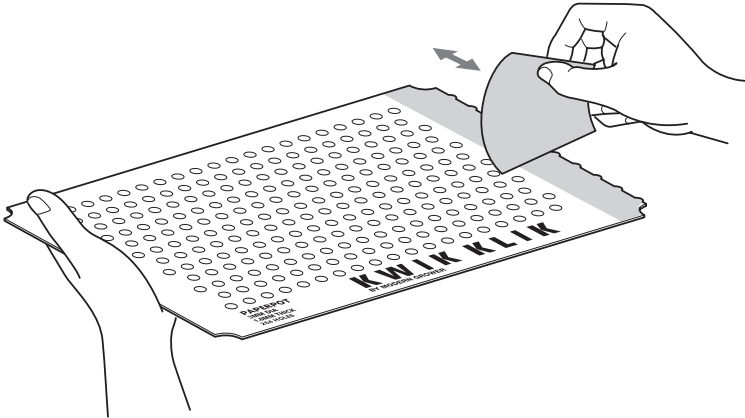
Leg extensions



Troubleshooting

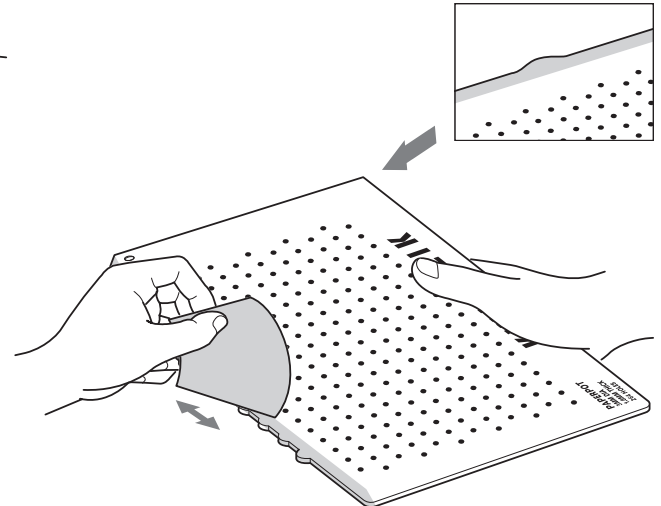
1. The bottom plate doesn't fit into the frame.

If the plate will not clear the edge of the frame under the handle, in order to drop down, you may need to lightly sand the scalloped edges of the plate until it will fit.



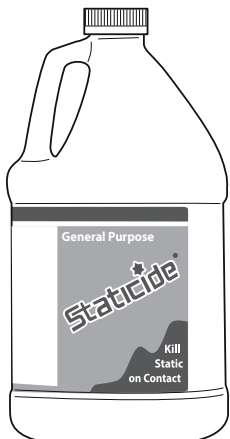
2. The top plate doesn't fit into the frame.

Because each Kwik Klik® drop seeder is assembled by hand, there is the off chance that the plate might not fit perfectly when first installed. If this is the case, you can lightly sand the scalloped edges of the plate to ensure a perfect fit. However, most plates will fit perfectly as is out of the box.

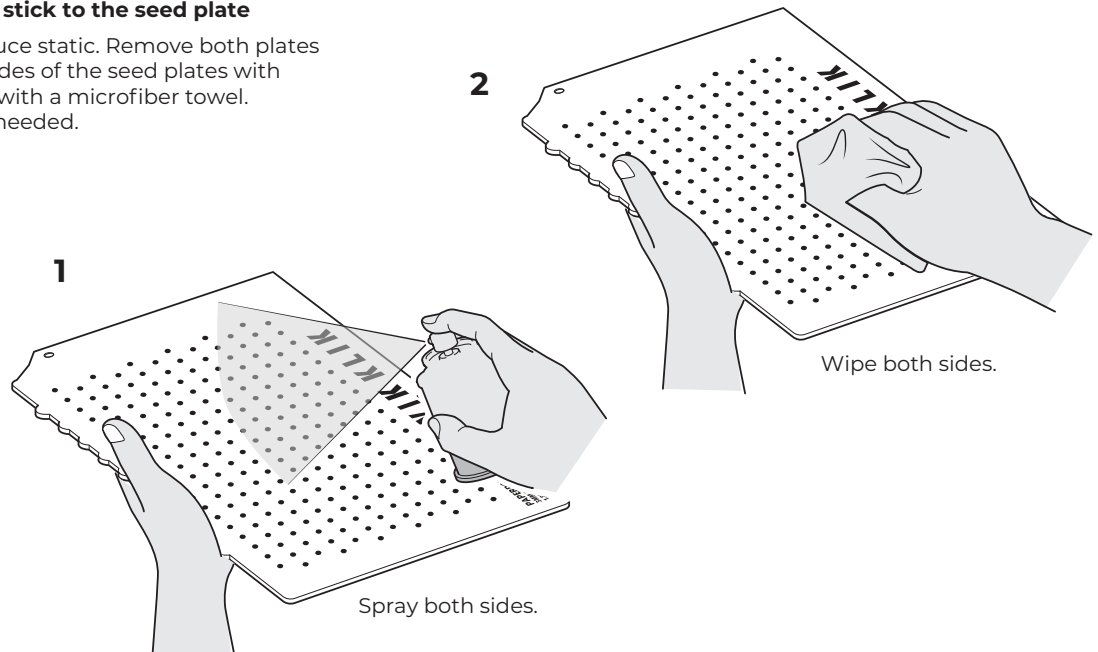


3. Static is causing the seeds to stick to the seed plate

ACL Staticide can be used to reduce static. Remove both plates from the frame and spray both sides of the seed plates with ACL Staticide and wipe them off with a microfiber towel. Resume seeding and reapply as needed.



(Sold separately)



Find the Right Size Seed Plate

Plate thickness

Thinner plates allow fewer seeds per hole.
Thicker plates enable you to put multiple seeds in each hole.

Hole diameter

Larger seeds require larger holes. But a larger hole and a thicker plate can result in more seeds per hole.

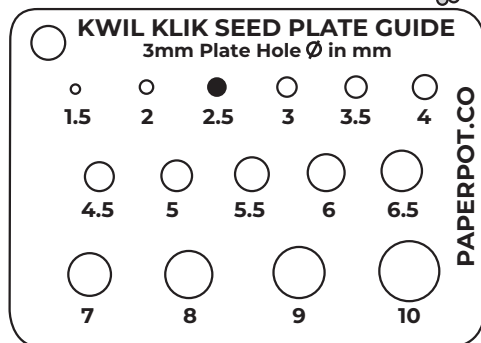
The Top Plate controls the number and pattern of cells in your tray. (e.g., 72, 128, 264, etc.), plate thickness, and hole diameter. Together, these three factors determine how many seeds go into each cell in your tray.

You can use the included Seed Plate Guides to help determine which top seed plate will work best.

Steps:

1. Determine how many of a selected seed you want in each cell. One or a cluster of many.
2. Try placing that many seeds into the holes in the Seed Plate Guides, looking for the hole that holds the correct number of seeds.
3. If the seed(s) won't fit into a given hole, try a larger hole or the thicker seed plate.
4. If the hole is too large or too many seeds fit into a given hole, try a smaller hole or the thinner seed plate.
5. When you find the perfect hole size for a given seed type, note the plate thickness and hole diameter. That will be the size of the top seed plate for that seed type.

Seed Plate Guide



Common seeding configurations are listed in the chart below. (Sorted by Crop)

Crop	Single / Multiple	Pelleted	Plate Thickness	Hole Diameter	Seeds per Cell	Staticide Recommended	Pelleted Preferred
Arugula	Small Cluster	N	1.5	2.5	2-3	Y	
Arugula	Large Cluster	N	3.0	3.0	8	Y	
Basil	Small Cluster	N	1.5	2.5	2	Y	
Basil	Large Cluster	N	3.0	3.0	7	Y	
Basil	Single	Y	3.0	4.0	1	N	
Beet	Single	N	3.0	5.0	1	N	
Beet	Single	Y	3.0	6.0	1	N	
Broccoli	Single	N	1.5	2.5	1	Y	
Carrots	Single	Y	3.0	4.0	1	N	Y
Celery	Single	Y	1.5	2.5	1	N	
Celery	Varies	N	HAND SEED		Varies	-	Y
Chard	Single	N	3.0	4.5	1	N	
Cilantro	Single	N	3.0	5.0	1	N	
Cilantro	Small Cluster	N	3.0	7.0	2-3	N	
Dill	Varies	N	HAND SEED		Varies	-	Y
Fennel	Single	Y	3.0	5.0	1	N	Y
Green Onion/ Scallions	Single	N	1.5	2.5	1	N	
Green Onion/ Scallions	Small Cluster	N	3.0	3.0	3-4	N	
Kale	Single	N	1.5	2.5	1	Y	
Kale	Small Cluster	N	3.0	3.0	2-4	Y	
Leek	Single	N	1.5	2.5	1	N	
Leek	Small Cluster	N	3.0	3.0	3-4	N	
Lettuce (Head)	Varies	N	HAND SEED		1	-	Y
Lettuce (Loose Leaf)	Varies	N	HAND SEED		Varies	-	Y
Onion	Single	N	1.5	3.0	1	N	
Onion	Small Cluster	N	3.0	3.0	2	N	
Peas	Varies	N	HAND SEED		Varies	-	
Radish	Single	N	1.5	3.0	1	N	
Radish	Small Cluster	N	3.0	3.0	2	N	
Salanova	Single	Y	3.0	5.0	1	N	Y
Shallots	Single	N	1.5	3.0	1	N	
Shallots	Small Cluster	N	3.0	3.0	2	N	
Spinach	Single	N	3.0	5.0	1	N	
Spinach	Small Cluster	N	3.0	7.0	3	N	
Turnip	Single	N	1.5	2.0	1	Y	
Turnip	Small Cluster	N	3.0	3.0	4	Y	

FOR QUESTIONS OR CONCERNS, PLEASE CONTACT

HELLO@MODERNGROWER.CO or 877.850.1555

@MODERNGROWERCO