

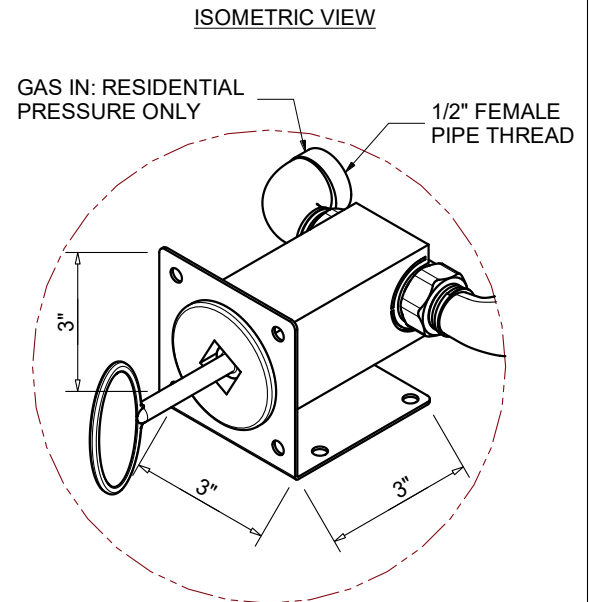
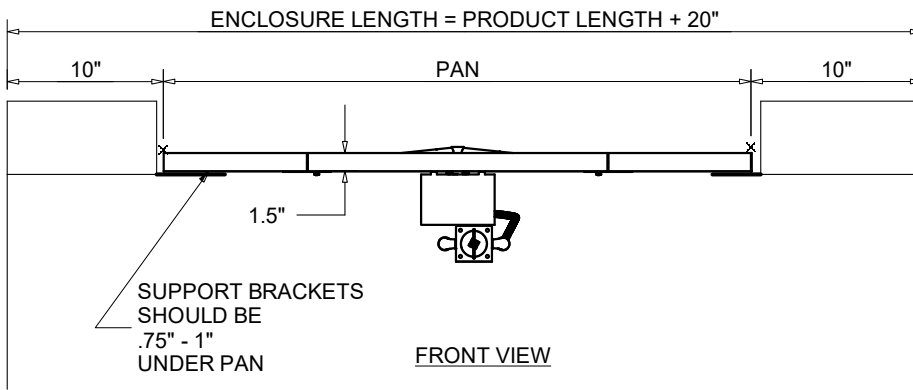
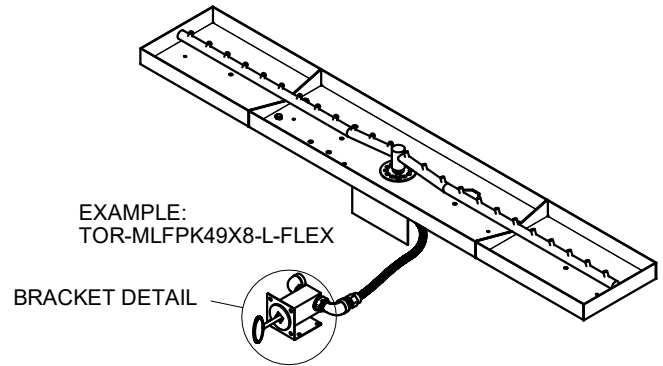
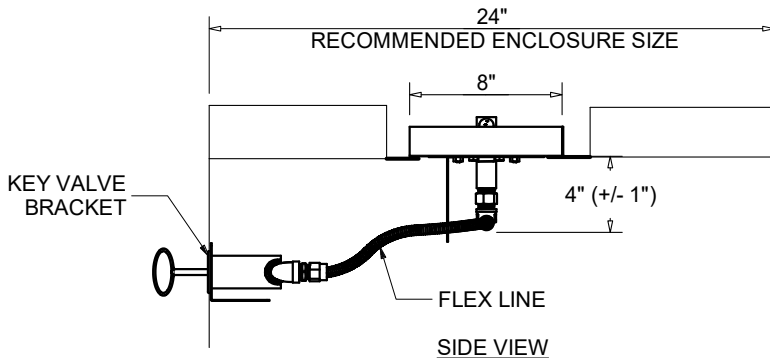


FIRE INSPIRED™

**CSA CERTIFIED-OUTDOOR USE ONLY
FOR COMMERCIAL AND RESIDENTIAL USE**



HEARTH PRODUCTS CONTROLS
2225 LYONS RD.
MIAMISBURG, OH 45342
TOLL FREE: 877.585.9800
PHONE: 937.436.9800
www.hpcfire.com



MATERIAL: 304 STAINLESS STEEL

PART NUMBER	PAN	DIMENSION CHART		
		STANDARD BTU PENTA	STANDARD BTU TORPEDO	STND FLEX LINE LENGTH
TOR- MLFPK25X8-L-FLEX	25"	50K	65K	36"
TOR- MLFPK37X8-L-FLEX	37"	65K	65K	36"
TOR- MLFPK49X8-L-FLEX	49"	65K	65K	36"

*FOR TORPEDO BURNERS ADD TOR-

NOTES:

1. PROPER VENTING

- ENCLOSURES:
 - For Fire Pit Inserts upto 65K BTU: Required 2 vents, 18 sq.in. each on opposing sides.
 - BOWLS (Copper, concrete or metal) - Bowl to be raised above mounting surface minimum of 3/4" gap; Bowl to have a minimum of 6" diameter hole in bottom

2. GAS SUPPLY

- Natural Gas: Supply Pressure: Minimum: 3.5" W.C.; Maximum: 7.0" W.C.
- LP Gas: Supply Pressure: Minimum: 8.0" W.C.; Maximum 11.0" W.C.

IMPORTANT: Ensure any flex line that may be used from the permanent main fuel supply to the product is rated to the stated max btu of the product and certified to ANSI Z21.75*CSA 6.27.

3. MODIFICATION OF PRODUCT WILL VOID ANY CERTIFICATION AND WARRANTY.

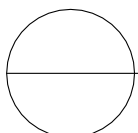
4. FOLLOW ALL MANUFACTURER INSTALLATION INSTRUCTIONS AND LOCAL CODES.

5. ALL DIMENSIONS ARE CONSIDERED TRUE AND REFLECT MANUFACTURER'S SPECIFICATIONS AS OF THE REVISION DATE.

6. DO NOT SCALE DRAWING.

7. THESE DRAWINGS ARE FOR SIZING AND PLANNING PURPOSES. ALL INFORMATION CONTAINED HEREIN WAS CURRENT AT THE TIME OF DEVELOPMENT. THE MANUFACTURER'S RESPONSIBLE FOR THE ACCURACY OF THE DRAWING.

8. CONTRACTOR'S NOTE: FOR PRODUCT AND COMPANY INFORMATION VISIT www.CADdetails.com/info. REFERENCE NUMBER 771-025



MATCH LIT FIRE PIT INSERT - WITH FLEX LINE

LINEAR PAN - MLFPK