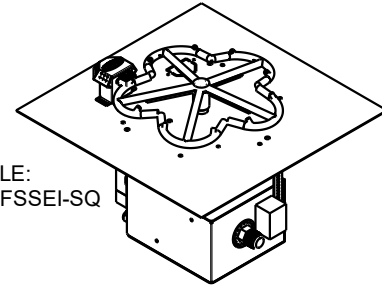
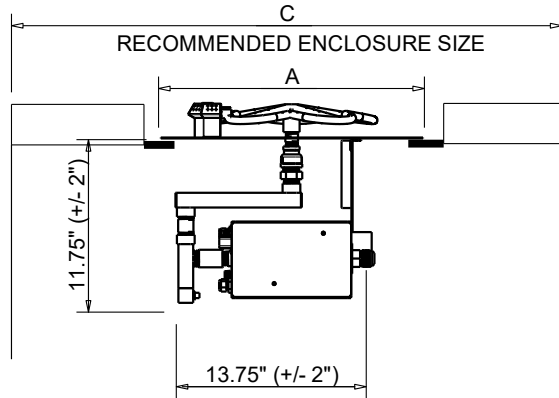




**FIRE INSPIRED<sup>®</sup>**

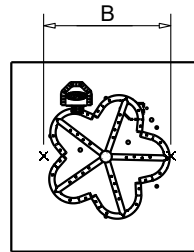
**CSA CERTIFIED-OUTDOOR USE ONLY  
FOR COMMERCIAL AND RESIDENTIAL USE**

HEARTH PRODUCTS CONTROLS  
2225 LYONS RD.  
MIAMISBURG, OH 45342  
TOLL FREE: 877.585.9800  
PHONE: 937.436.9800  
www.hpcfire.com

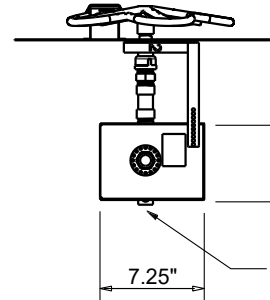


EXAMPLE:  
TOR-18FSSEI-SQ

ISOMETRIC VIEW



PLAN VIEW



SIDE ELEVATION

**AVAILABLE IN:**

- 120VAC, 24VAC OR 12VAC
- On/Off OR Hi/Low

**MATERIAL: 304 STAINLESS STEEL**

**Hi/Lo MODELS HAVE A 40% REDUCTION IN BTU ON LOW SETTING**

PART NUMBER	STANDARD BTU		DIMENSION CHART		
	PENTA	TORPEDO	A"	B"	C"
TOR- 18FSSEI-SQ	65K	65K	18	12	54
TOR- 24FSSEI-SQ	125K	125K	24	18	54
TOR- 30FSSEI-SQ	200K	200K	30	24	54
TOR- 36FSSEI-SQ	250K	275K	36	30	72
TOR- 42FSSEI-SQ	400K	375K	42	36	80

\*FOR TORPEDO BURNERS ADD TOR-

**Notes:**

**1. PROPER VENTING**

- ENCLOSURES: Recommend 4 each 18 sq.in. vents on opposing sides (Minimum 2 each 18 sq.in. vents).
- BOWLS (Copper, concrete or metal) - Bowl to be raised above mounting surface minimum of 3/4" gap; Bowl to have a minimum of 6" diameter hole in bottom

**2. GAS SUPPLY - FOR USE WITH FIXED PIPING SYSTEMS ONLY - NOT FOR USE WITH SMALL TANKS.**

- Natural Gas: Operating Supply Pressure: Minimum: 6.0" W.C.; Maximum: 7.0" W.C.
- LP Gas: Operating Supply Pressure: Minimum: 10.0" W.C.; Maximum: 11.0" W.C.

**3. LOW VOLTAGE POWER SUPPLY**

- Manufacture requires 100 watt power supply be added for low voltage fire pits

**IMPORTANT:** Ensure any flex line that may be used from the permanent main fuel supply to the product is rated to the stated max btu of the product and certified to ANSI Z21.75\*CSA 6.27.

**4. MODIFICATION OF PRODUCT WILL VOID ANY CERTIFICATION AND WARRANTY.**

**5. FOLLOW ALL MANUFACTURER INSTALLATION INSTRUCTIONS AND LOCAL CODES.**

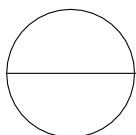
**6. ALL DIMENSIONS ARE CONSIDERED TRUE AND REFLECT MANUFACTURER'S SPECIFICATIONS AS OF THE REVISION DATE.**

**7. DO NOT SCALE DRAWING.**

**8. THESE DRAWINGS ARE FOR SIZING AND PLANNING PURPOSES. ALL INFORMATION CONTAINED HEREIN WAS CURRENT AT THE TIME OF DEVELOPMENT. THE MANUFACTURER'S RESPONSIBLE FOR THE ACCURACY OF THE DRAWING.**

**9. CONTRACTOR'S NOTE: FOR PRODUCT AND COMPANY INFORMATION VISIT [www.CADdetails.com/info](http://www.CADdetails.com/info)**

REFERENCE NUMBER 771-047.



**ELECTRONIC IGNITION**

**EI SQUARE PAN- FLAME SENSING WITH ELECTRONIC HOT SURFACE IGNITION**