

Product catalogue 2022

*Carutti.*

---





## CONTENTS

Sauna lighting sets	6
Sauna LED lights	10
LED lighting sets	11
Sauna light fittings	14
Steam room lighting	21
Steam room light fittings	23
Steam room lights	27
Pool lights	29
Starlight sets	31
Crystal light fittings	35
Chandeliers and curtain partitions	36
Bathroom lighting	39
Downlights	41
Lights for staircases	42
Wall lights	43
LED profile lights	44
Fibre optic projectors	47
Optic fibres	50
Lenses and fittings	55
Power supplies, control modules and regulators	57

## CARIITTI BRINGS BRILLIANCE AND JOY TO YOUR LIFE

"Ancient Greek mythology had three goddesses of charm and beauty – Aglaea (brilliance), Euphrosyne (joy) and Thalia (abundance) – giving people joy and charm. They were also known as Charites or Graces."

The story of Cariitti began at the end of the 1940s, in Kari Ruokonen's childhood. At a time when toys were scarce, little Kari was fascinated by a torch he had seen in a shop. How exciting it would be to explore the secrets of the shady woods and reveal them by the beam of the torch, or play with shadows in the dark cellar – and how the same torch could bring warmth and safety when needed. That torch cost 90 Finnish penni, a small fortune for a little boy. For more than two months, Kari saved his pocket money to fulfil his dream.

Later on, lighting became Kari's lifework. He was an entrepreneur in the lighting industry and ended up in Kirkkonummi, where he decided to buy a traditional lighting workshop "Valaisinpaja" with his family. Soon they wanted to change the company name to a more international one. As the starting point was Kari, the word Charite was found in Greek mythology and so it became CARIITTI.

These decades have been a time of change. The development of LED lighting has transformed the world, and lighting technology continues to break new territory. Throughout these times, Cariitti's mission – unique experiences in light – has remained unchanged.

When many other lighting manufacturers simply seek to increase the amount of light, Cariitti aims much higher. Our vision is to create light beautifully, stylishly and attractively. Cariitti continues to bring brilliance, joy and abundance to people's lives, just as the three Charites of the ancient Greeks.







## CARIITTI SHOWROOM

When you are building or renovating a house or searching new solutions for your interior design, you are welcome to our showroom. In our showroom you get familiarized with the wide selection of our lighting and sauna interior options. You can find practical solutions for illumination and interior design of saunas, steamrooms and bathrooms. At the same time you have a chance to familiarize with the latest wireless control techniques and voice control. Come and experience: "Alexa, turn on relax".

## NEW PRODUCTS 2022

For 2022, Cariitti completes its product range with Aspectu, a new digital thermo-hygrometer. The meter also includes a digital hourglass, and is illuminated from the back. Together these features create an impressive entity in the sauna interior.

In addition to the meter, we have renewed the RGBW projector models. The new, more efficient LED component combined with smart control makes the projector even more user-friendly. In addition, the popular Sauna Linear product line has an RGBW version (available from Q2).

Our collection has also been complemented by new Casambi BLE (Bluetooth Low Energy) lighting control products. These are applicable for use with all Cariitti products.

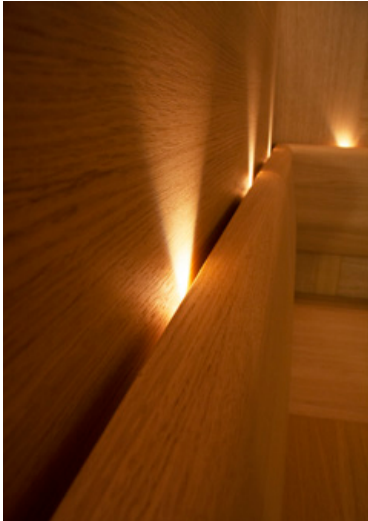






## SAUNA LIGHTING SETS

Cariitti sauna lighting systems are the most comprehensive and advanced solutions on the market. Our product range includes standard sets for sauna seat and ceiling illumination and also a wide range of lighting fittings for a sauna. With Cariitti fibre optic illumination the possibilities are unlimited - use your imagination. In addition to standard sauna sets we produce individual solutions and lengths to order.

Glass fibre Sauna Seat Sets enable you to create illumination even in an existing sauna. The projector VPAC27 has the colour temperature 2700K which is warm and well suited for a sauna. All sauna lighting fittings can be installed to fibres with a crimpable ferrule (1538020, page 56) which comes with each fitting.

## SEAT SETS




Sauna size recommendation	Fibre lengths S-Flex 2 (S-Flex 4)		Type	Lens	Code
1 - 4 m <sup>2</sup>	4 x 1.4 m 4 x 1.7 m 2 x 2.0 m (1 x 4.0 m)		VPAC-1527-G211		1516708
2 - 5 m <sup>2</sup>	4 x 1.4 m 4 x 1.7 m 4 x 2.0 m 2 x 2.3 m 2 x 2.6 m (1 x 4.0 m)		VPAC-1527-G217		1516709
3 - 6 m <sup>2</sup>	4 x 1.4 m 4 x 1.7 m 4 x 2.0 m 4 x 2.3 m	2 x 2.6 m 2 x 2.9 m 2 x 3.2 m (1 x 4.0 m)	VPAC-1527-G223		1516710
4 - 8 m <sup>2</sup>	4 x 1.4 m 4 x 1.7 m 4 x 2.0 m 4 x 2.3 m 4 x 2.6 m	2 x 2.9 m 2 x 3.2 m 2 x 3.5 m 2 x 3.8 m (1 x 4.0 m)	VPAC-1527-G229		1516711

## SEAT SETS WITH COLOUR CHANGE

- Includes wireless Xpress switch BLE 1532801 (page 65)



















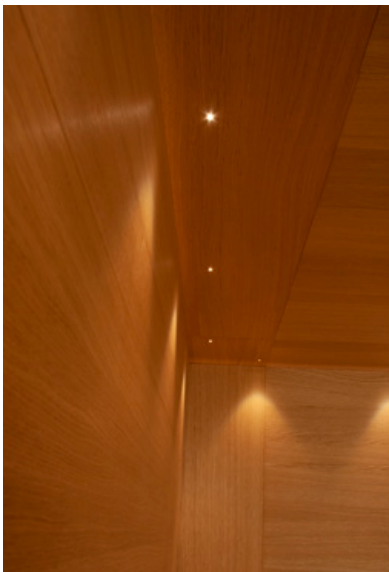
Sauna size recommendation	Fibre lengths S-Flex 2 (S-Flex 4)		Type	Lens	Code
1 - 4 m <sup>2</sup>	4 x 1.4 m 4 x 1.7 m 2 x 2.0 m (1 x 4.0 m)		RGBW-BLE-G211		1816001
2 - 5 m <sup>2</sup>	4 x 1.4 m 4 x 1.7 m 4 x 2.0 m 2 x 2.3 m 2 x 2.6 m (1 x 4.0 m)		RGBW-BLE-G217		1816002
3 - 6 m <sup>2</sup>	4 x 1.4 m 4 x 1.7 m 4 x 2.0 m 4 x 2.3 m	2 x 2.6 m 2 x 2.9 m 2 x 3.2 m (1 x 4.0 m)	RGBW-BLE-G223		1816003
4 - 8 m <sup>2</sup>	4 x 1.4 m 4 x 1.7 m 4 x 2.0 m 4 x 2.3 m 4 x 2.6 m	2 x 2.9 m 2 x 3.2 m 2 x 3.5 m 2 x 3.8 m (1 x 4.0 m)	RGBW-BLE-G229		1816004



Glass fibre Sauna Lighting Sets can be installed in the sauna benches or ceiling. Sauna Lighting Sets include a dimmable LED which ensures a low energy consumption and a very long lifetime. The projector is completely silent and produces just a small amount of heat. A high Ra index >90 together with a warm 2700K LED ensures an atmospheric sauna lighting.

## CEILING SETS

Sauna size recommendation	Fibre lengths	Locking rings	Lens	Ferrule	Active ø	Type Code
1 - 4 m <sup>2</sup>	1 x 2.5 m 2 x 3.0 m 1 x 3.5 m 1 x 3.5 m			M5 M5 M5 M8	2 mm 2 mm 2 mm 4 mm	VPAC-1527-B532 1516700
3 - 5 m <sup>2</sup>	2 x 2.0 m 3 x 2.5 m 2 x 3.0 m			M5 M5 M5	3 mm 3 mm 3 mm	VPAC-1527-F325 1516701
3 - 5 m <sup>2</sup>	2 x 3.0 m 3 x 3.5 m 2 x 4.0 m			M5 M5 M5	3 mm 3 mm 3 mm	VPAC-1527-F335 1516702
3 - 5 m <sup>2</sup>	15 x 3.0 m 7 x 3.0 m 1 x 3.0 m			B1 M5 M8	1 mm 2 mm 4 mm	VPAC-1527-M233 1516703
3 - 5 m <sup>2</sup>	2 x 2.5 m 3 x 3.0 m 2 x 3.5 m 1 x 3.5 m			M5 M5 M5 M5	2 mm 2 mm 2 mm 3 mm	VPAC-1527-S832 1516704
4 - 6 m <sup>2</sup>	5 x 3.5 m 5 x 4.0 m 1 x 3.5 m			M5 M5 M8	2 mm 2 mm 4 mm	VPAC-1527-N211 1516705
5 - 10 m <sup>2</sup>	2 x 2.0 m 3 x 3.0 m 3 x 4.0 m 2 x 5.0 m 1 x 4.0 m			M5 M5 M5 M5 M8	3 mm 3 mm 3 mm 3 mm 6 mm	VPAC-1527-L114 1516706
5 - 10 m <sup>2</sup>	5 x 3.5 m 5 x 4.0 m 5 x 4.5 m 5 x 5.0 m 1 x 3.5 m			M5 M5 M5 M5 M8	2 mm 2 mm 2 mm 2 mm 4 mm	VPAC-1527-N221 1516707



## VPL10 SAUNA LIGHTING SETS

VPL10 - E511  
Code 1524011

- S-Flex 1.5: 5 x 2.5 m
- S-Flex 2: 1 x 4.5 m

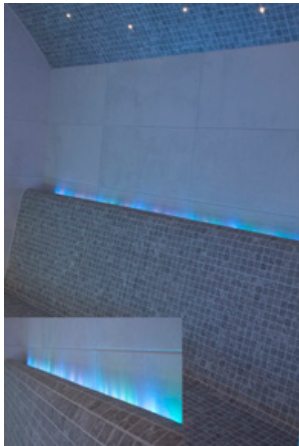
VPL10 - E161  
CODE 1524010

- S-Flex 1.5: 5 x 1.5 m, 6 x 2.0 m, 5 x 2.5 m



- 230V / 1.7 W / 350 mA / IP55
- 3000K / Ra >85
- Stove lens included
- Not dimmable
- Fibre harness end diameter 16 mm

NORTHERN LIGHTS SETS WITH PROJECTOR VPL30NL



Sauna size recommendation	Fibres $\varnothing$ 7 mm + Linear 1 m	Type	Code
1 - 4 m <sup>2</sup>	1 x 1.2 m + Linear 1 x 2.2 m + Linear	VPL30NL - N2M	1516620
3 - 6 m <sup>2</sup>	2 x 1.2 m + Linear 2 x 2.2 m + Linear	VPL30NL - N4M	1516621



FIRE FLAME SET WITH PROJECTOR VPL30FL



Sauna size recommendation	Fibre lengths	Locking rings	Lenses	Ferrule	Active $\varnothing$	Type Code
3 - 5 m <sup>2</sup>	10 x 3.0 m			M5	2 mm	VPL30FL-F310 1516630



Width 380 mm

SAUNA LINEAR GLASS SET



SAUNA LINEAR GLASS SET  
Code 1815000

A ready-made lighting set for the sauna ceiling.

Sauna Linear Glass Set is a ready-made set which includes one sauna linear glass bar, a projector and fibre harness F602. With this lighting equipment you can create even light to the edge of the sauna ceiling. The bar is illuminated with glass fibres from both ends.

The projector is VPL30XL (1501487). The projector can be installed in a sauna max 40 cm from the floor. Its ambient temperature is max 40°C.

- Optical glass bar  $\varnothing$  8 mm
- Length 1680 mm, can be cut
- Fibres 2 x 3 m S-Flex 6
- Dimmable 1 - 10 V

## IB320 LED ILLUMINATED BOWL

### WITH HANDLES

- Code 1545200

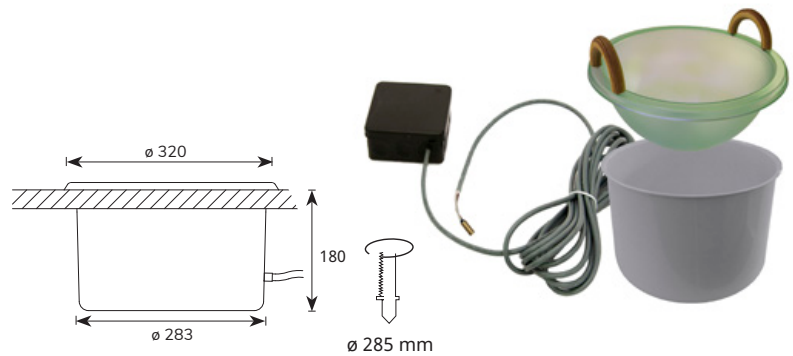
### WITH WATER OUTLET

- Code 1545220

### WITH OUTLET VALVE

- Code 1545221

- 1 W / 350 mA
- Power supply included
- Cable length 5 m
- Frosted glacier green acryl (satin)
- Installation height of the power supply max 0.8m above the floor
- IP67
- With water outlet: outlet diameter 52 mm



## SAUNA LINEAR LED 1M / 2M

### SAUNA LINEAR LED 1M

Code 1516660

### SAUNA LINEAR RGBW LED 1M

Code 1516666

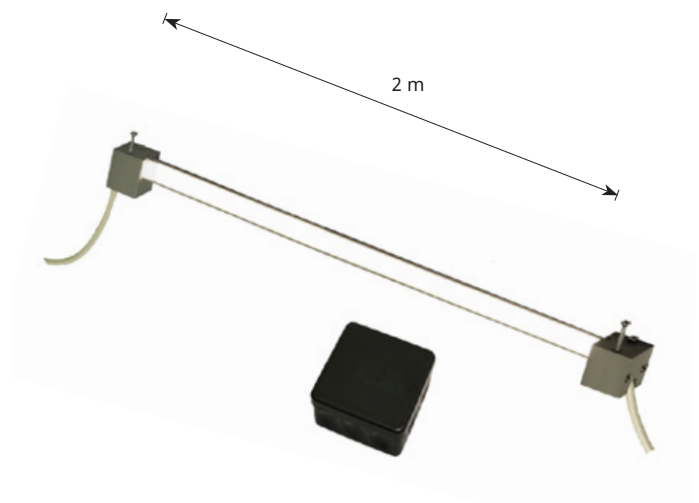
### SAUNA LINEAR LED 2M

Code 1516661

### SAUNA LINEAR RGBW LED 2M

Code 1516667

- Installed on the wall or under the benches
- 2 x LED, 3000 K 1 W 350 mA or RGBW
- Ready to install set - includes a power supply (IP55), one linear bar length 1m or 2m and 2 LED light sources
- Anodized aluminium
- Installation height of the power supply max 0.8 m above the floor
- Not dimmable
- Linear length 1m or 2m, can be cut
- Cable length of the LED light sources 2.5m
- Installation height of linears max 1.5m above the floor, Ta +125°C.
- IP55

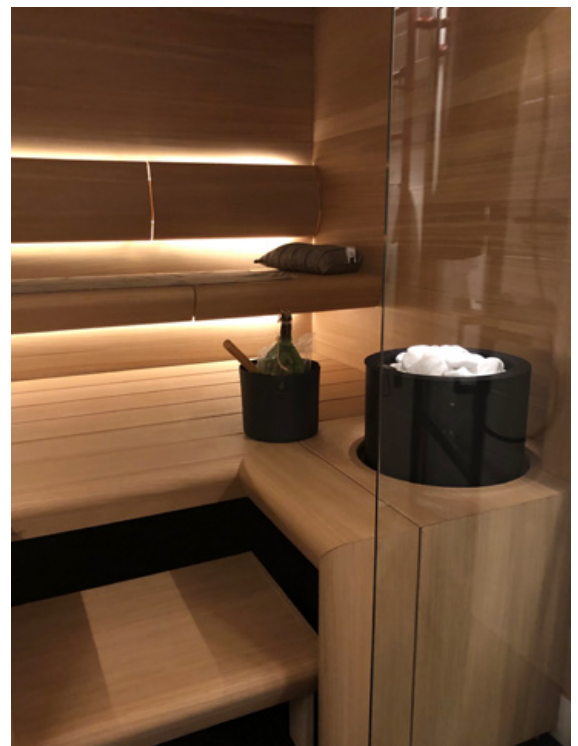


## SAUNA LINEAR LED 4M + SPOT

### SAUNA LINEAR LED 4M + SPOT

Code 1516663

- Installed on the wall or under the benches
- 4 x LED, 1 W, 350 mA, 3000 K and 1 x LED, 1 W, 350 mA, 2700 K (stove lens fibre).
- Ready to install set - includes a dimmable power supply (IP55), 2 linear bars 2m each, 4 LED light sources and an LED sauna stove lens fibre 5m (1532647, page 13)
- Anodized aluminium
- Installation height of the power supply max 0.8m above the floor
- Linear length 2m, can be cut
- Cable length of the LED light sources 2.5m
- Installation height of linears max 1.5m above the floor, Ta 125°C.
- IP55





## LED LIGHTING SETS

Cariitti LED lighting sets are available with warm 2700K and 3000K and cold 4000K white light. All our lighting fittings can be connected to these sets. The LEDs are rated IP67 and they can be used in dry and humid places.

The LEDs of these sets require only a small 6 mm hole in the installation on sauna benches, as an example. The installation is much more invisible than previously. The clear installation instructions ensure that the installation cannot fail – the clips are carefully selected to avoid any misconnection.

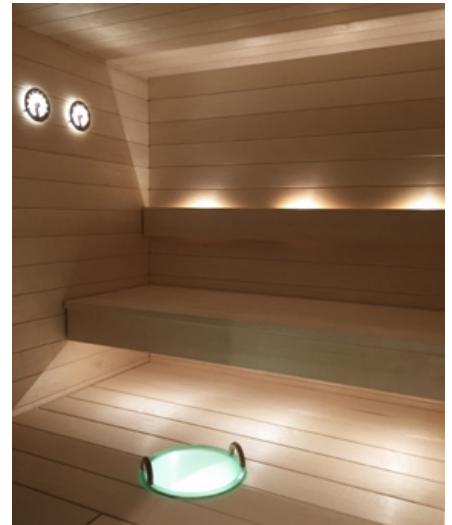
The LED driver is the high-quality Osram OTi DALI 15, and the set can be dimmed with a push-button or DALI control. The set can be expanded with additional 3-part expansion sets up to 15 LEDs.

There are several additional items available for these sets, such as lighting fittings CR-3 (gold, chrome and black), a stove fibre with a lens, thermometer and hygrometer and many others.

We recommend 2700K for a sauna.

If the sauna temperature is over +90°C, we recommend to use Cariitti fibre optic sets.

Light opening angle approx. 45°.



## LED SET WITH 6 LEDS

2700 K Code 1532601  
3000 K Code 1532654  
4000 K Code 1532657

- Includes 6 LEDs, serial connection cables (2 x 2,4 m), jumpers (2 pcs), extension cable (5 m) and dimmable power supply (IP20) OTi DALI 15 (150 mA).



## EXPANSION SET WITH 3 LEDS

2700 K Code 1532602  
3000 K Code 1532655  
4000 K Code 1532658

- Includes 3 LEDs, serial connection cable (2,4m) and jumpers (2 pcs).
- With this set you can expand your basic LED Set to 9, 12 or 15 LEDs.



## EXTENSION CABLES



EXTENSION CABLE 1,5 M  
Code 1532607

EXTENSION CABLE 5 M  
Code 1532608

## SERIAL CONNECTION CABLE



SERIAL CONNECTION CABLE  
Code 1532370

- 3 part, length 2.4 m

## JUMPERS 6 PCS



JUMPERS 6 PCS  
Code 1532634

- A set includes 6 pcs.

## LED WITH A CABLE 150 MM



LED WITH A CABLE 150 MM

2700 K Code 1532373  
3000 K Code 1532656  
4000 K Code 1532659

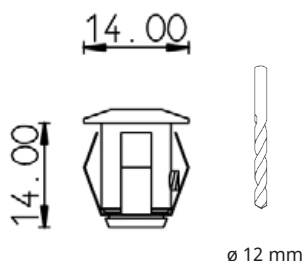
- 150 mA , opening angle approx. 45°
- 2700 K 40 lm, 3000 K 42 lm, 4000 K 46 lm
- Power supply to be ordered separately, see page 58.



## CR-03 KIT 6

Code 1532612 Gold  
Code 1532613 Chrome  
Code 1532614 Black

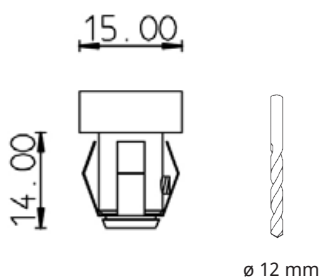
- Each set includes 6 pcs



## CR-07 KIT 6

Code 1532642 Chrome, satin  
Code 1532644 Gold, satin  
Code 1532646 Black, satin

- Each set includes 6 pcs



## LED SAUNA STOVE LENS FIBRES

3.5 M Code 1532633  
5.0 M Code 1532647

- S-Flex 3 fibre 3,5 m or 5,0 m, a stove lens CR-09, an adapter and LED included.
- 1 x LED, 1 W, 350 mA, 2700 K





## SAUNA LIGHT FITTINGS

In our selection you can find various options to illuminate your sauna. All fittings can have either fibre optic or LED lighting sets as the light source. You can illuminate your sauna with a thermometer, hygrometer, bowl, torch - only your imagination is the limit.

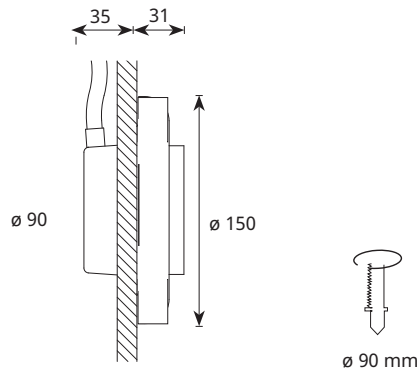


## SCA

SCA  
Code 1545803

- 1 x S-Flex 4 - 6 M8
- Wooden frame
- Satin glass
- Crimpable ferrule M8 included
- The frame can be tinted with sauna wax

Can be illuminated with a fibre or LED.  
Recommended fibre  $\varnothing$  4 - 6 mm or one Cariitti LED.

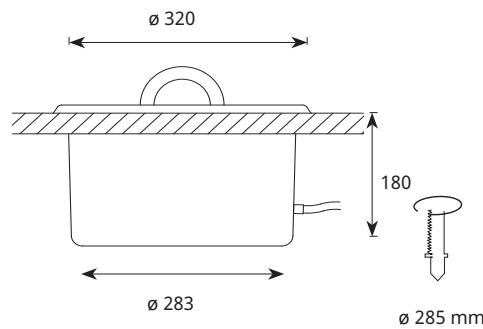


## IB320 BOWL WITH WOODEN HANDLES

IB320 BOWL WITH WOODEN HANDLES  
Code 1545805

- 1 - 4 x S-Flex / C-Flex 3 - 6 M8
- Frosted glacier green acryl (satin)

Can be illuminated with a fibre or LED.  
Recommended fibres  $\varnothing$  3 - 6 mm or one Cariitti LED.



## IB320 BOWL WITH WATER OUTLET/OUTLET VALVE

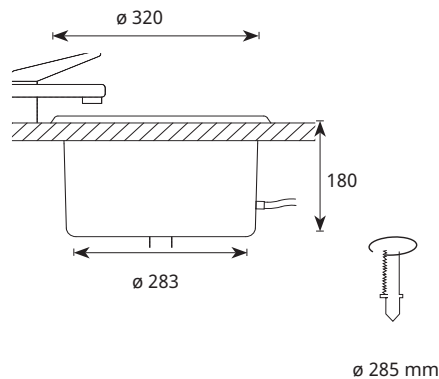
IB320 BOWL WITH WATER OUTLET  
Code 1545804

- 1 - 4 x S-Flex / C-Flex 3 - 6 M8
- Frosted glacier green acryl (satin)
- Water accessories not included
- Outlet diameter 52 mm

IB320 BOWL WITH OUTLET VALVE  
Code 1545826

- 1 - 4 x S-Flex / C-Flex 3 - 6 M8
- Frosted glacier green acryl (satin)
- Outlet valve included

Can be illuminated with a fibre or LED.  
Recommended fibres  $\varnothing$  3 - 6 mm or one Cariitti LED.



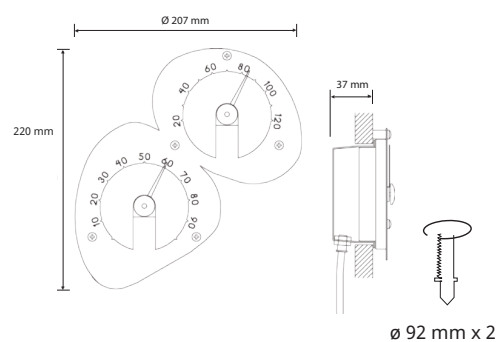
## THERMOMETER-HYGROMETER

THERMOMETER-HYGROMETER  
Stainless steel Code 1545822  
Black Code 1545861  
White Code 1545862

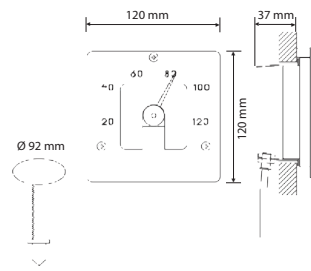
- 2 x S-Flex 2 - 4 M8
- Stainless steel
- Crimpable ferrules M8 included

Design: Frida Lindström

Can be illuminated with two fibres or LEDs.  
Recommended fibres  $\varnothing$  2 - 4 mm or two Cariitti LEDs.



## THERMOMETER SQ

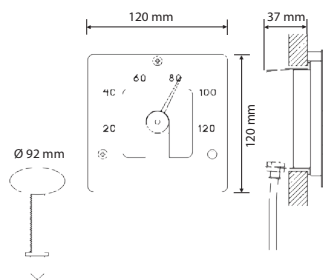
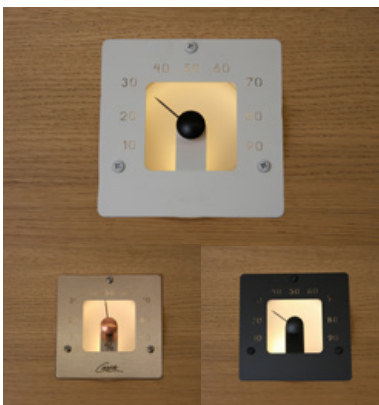


THERMOMETER SQ  
Stainless steel Code 1545828  
Black Code 1545854  
White Code 1545855

- 1 x S-Flex 2 - 4 M8
- Stainless steel
- Crimpable ferrule M8 included

Can be illuminated with a fibre or LED.  
Recommended fibre  $\varnothing$  2 - 4 mm or one Cariitti LED.

## HYGROMETER SQ

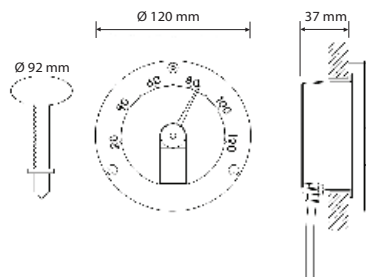


HYGROMETER SQ  
Stainless steel Code 1545849  
Black Code 1545858  
White Code 1545859

- 1 x S-Flex 2 - 4 M8
- Stainless steel
- Crimpable ferrule M8 included

Can be illuminated with a fibre or LED.  
Recommended fibre  $\varnothing$  2 - 4 mm or one Cariitti LED.

## THERMOMETER

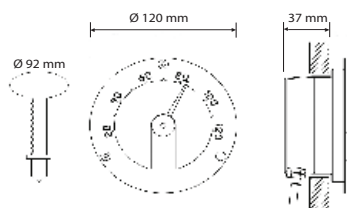


THERMOMETER  
Stainless steel Code 1545812  
Black Code 1545852  
White Code 1545853

- 1 x S-Flex 2 - 4 M8
- Stainless steel
- Crimpable ferrule M8 included

Can be illuminated with a fibre or LED.  
Recommended fibre  $\varnothing$  2 - 4 mm or one Cariitti LED.

## HYGROMETER



HYGROMETER  
Stainless steel Code 1545820  
Black Code 1545856  
White Code 1545857

- 1 x S-Flex 2 - 4 M8
- Stainless steel
- Crimpable ferrule M8 included

Can be illuminated with a fibre or LED.  
Recommended fibre  $\varnothing$  2 - 4 mm or one Cariitti LED.

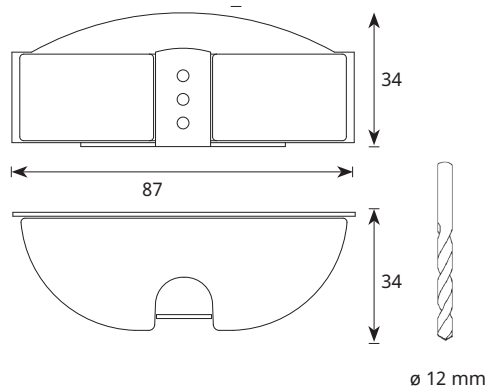


## LIGHTHOUSE

LH-100  
Code 1545802

- 1 x S-Flex 2 - 4 M8
- Stainless steel AISI 304
- Satin glass
- Crimpable ferrule M8 included
- Lighthouse is well suited to be installed in a sauna.

Can be illuminated with a fibre or LED.  
Recommended fibre  $\varnothing$  2 - 4 mm or one Cariitti LED.

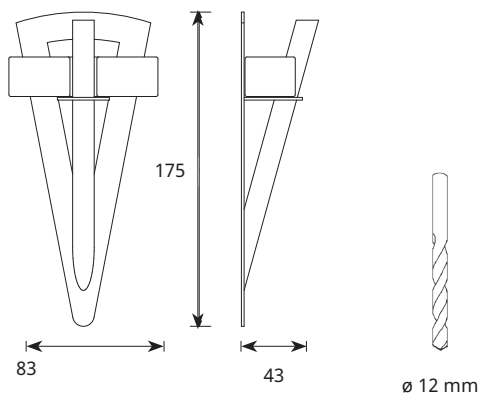


## TORCH

TL-100  
Code 1545801

- 1 x S-Flex 2 - 4 M8
- Stainless steel AISI 304
- Satin glass
- Wooden pin
- Crimpable ferrule M8 included
- Torch is well suited to be installed in a sauna.

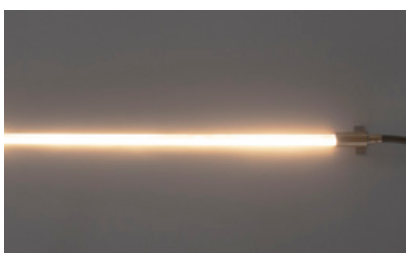
Can be illuminated with a fibre or LED.  
Recommended fibre  $\varnothing$  2 - 4 mm or one Cariitti LED.



## SAUNA LINEAR GLASS

SAUNA LINEAR GLASS  
Code 1545844

- 2 x S-Flex 6
- Optical glass bar  $\varnothing$  8 mm
- Length 1680 mm, can be cut
- Sauna Linear Glass is a fibre optic fitting that can be installed in the sauna ceiling. The fitting is illuminated with a glass fibre from both ends.
- The recommended projector VPL30 XL (1501487, page 48)
- See the ready-made set on page 9.



## SIGNUM



SIGNUM  
Code 1516671

Lighting control with capacitive switch Signum, which allows controlling lights with touch. Can be placed behind the wall panel, which enables you to adjust the sauna lighting by touching the marked position on the wall panel. The quick touch turns the lights on/off, and the slow touch dims/brightens the lights. Works with power supply OTi DALI 15W/150mA (1532296, page 58) or control unit LL1-CV-SC (1532346, page 61). Cable 5m. Material thickness 2-10 mm, depending on the wall material. Does not work through metal.



## ASPECTU

ASPECTU (ROUND)  
Koivu Code 1898020  
Hemlock Code 1898021  
Kelo Code 1898022

Ø 235 mm , H 16 mm

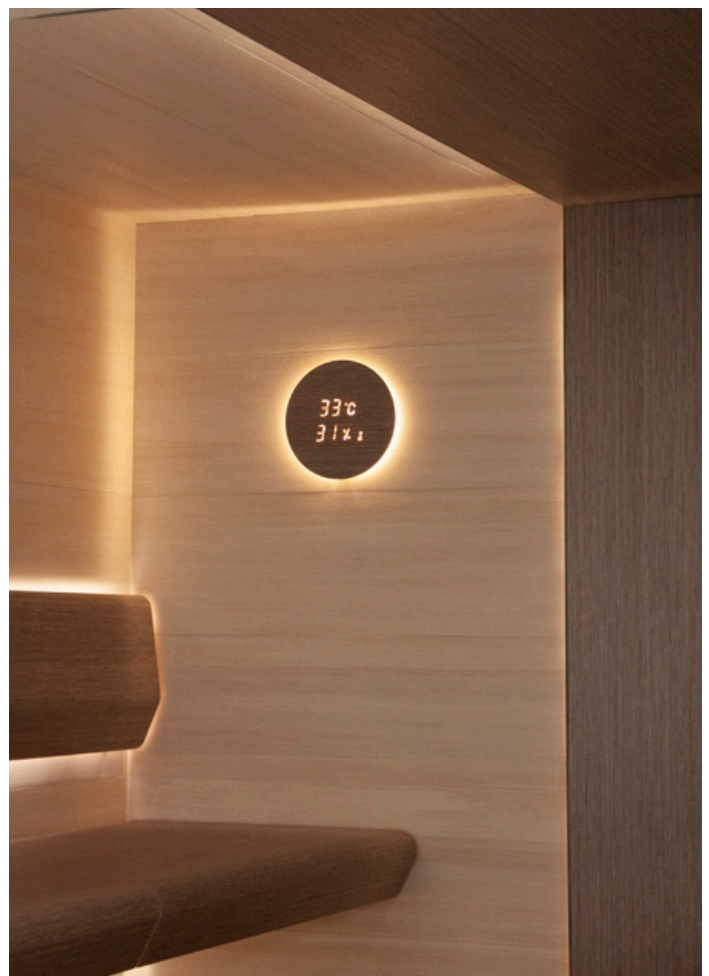
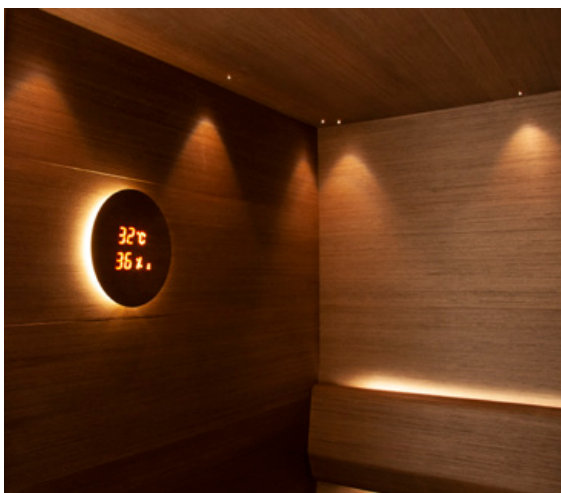
ASPECTU (SQ)  
Koivu Code 1898027  
Hemlock Code 1898028  
Kelo Code 1898029

L 225 mm x W 195 mm x H 16 mm

Aspectu is a new type of thermometer-hygrometer, where the figures are projected through the wooden panel; it also includes an electronic hourglass. The sauna meter can be placed very freely in a suitable place on the wall of the sauna room. A suitable installation height is approx. 30 cm from the ceiling and at least 50 cm from the heater.

The transformer of the sauna meter has 5 m long silicone wires. Aspectu hourglass works in a loop whenever the meter is on. Alternatively, a push-button can be connected to the meter, with which the hourglass resets and always starts from the beginning, duration 15 min.

There are three basic colour options of the wooden part: Koivu (Birch CWP), Kelo (grey CWP) and Hemlock. In addition, you can tone Birch with any colour treatment suitable for sauna use, with Supi Sauna Wax, as an example.







## FANTASIA

FANTASIA  
Code 1589017

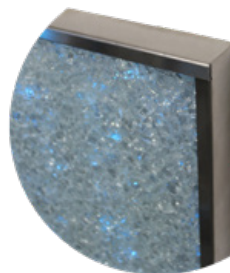
Crushed glass panel 1000 x 500 x 35 mm is like a painting. Fantasia is illuminated with two 6 mm fibres and it can be installed in a sauna behind an electric heater. A dashing and therapeutic element that changes character according to the chosen light effect.

Depending on the chosen projector you can create effects like fire flame, northern lights or colour change. With clear white light Fantasia looks like crushed ice. The projector and fibres to be ordered separately.

- 2 x S-Flex 6 M8

FANTASIA FIBRE HARNESS F602  
Code 1506015

- S-Flex 6: 2 x 3 m M8





## STEAM ROOM LIGHTING

Steam room can be lit with Cariitti LED lighting set. The selection includes also various crystal lights, sconces and traditional downlights.

## STEAM BATH LED SETS



STEAM BATH LED SET 6 3000 K  
Code 1532609

- Includes 6 LEDs 3000 K with 5 m cables, an extension cable 5 m, serial connection module and a dimmable power supply (IP20) OTi DALI 15 (150 mA).

STEAM BATH LED SET 3 3000 K  
Code 1532653

- Includes 3 LEDs 3000 K with 5 m cables, an extension cable 5 m, serial connection module and a dimmable power supply (IP20) OTi DALI 15 (150 mA).

## EXPANSION SET 3000 K WITH 3 LEDS



EXPANSION SET WITH 3 LEDS 3000 K  
Code 1532610

- Includes 3 LEDs with 5 m cables.

## EXTENSION CABLES



EXTENSION CABLE 1,5 M  
Code 1532607

EXTENSION CABLE 5 M  
Code 1532608

## SERIAL CONNECTION MODULE



SERIAL CONNECTION MODULE  
Code 1532212

- Includes jumpers 7 pcs

## LED 3000 K WITH 5 M CABLE



LED 3000 K WITH A 5 M CABLE  
Code 1532383

- 150 mA, light opening angle approx. 45°
- 3000 K, 42 lm
- See suitable power supplies 150 mA on pages 58 and 59.

## JUMPERS 6 PCS



JUMPERS 6 PCS  
Code 1532634

## VOLITARE RGBW LED



VOLITARE RGBW LED  
Code 1532494

- RGB+White 3000 K, 2.5 W/200 mA
- Serial connection
- Includes a 5.2m connecting cable
- Suitable for use with Cariitti light fittings Lighthouse, Torch, Kihla and CRB-30 towel holder. Can also be attached to other light fittings, on order.
- See the suitable power supply on page 63.
- IP67





## STEAM ROOM LIGHT FITTINGS

The steam room light fittings are suitable to be used with both LED sets and fibre optic sets. The selection includes a wide range of sconces, crystals and starlight sets.



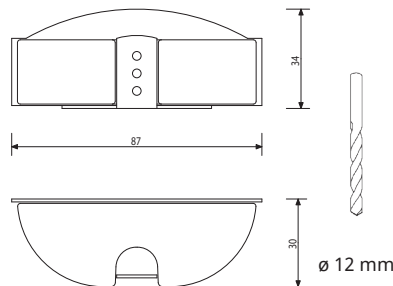
75 STARLIGHT FIBER SET

75 STARLIGHT FIBER SET  
Code 1509102

- 75 pcs of 0.75 fibers (C-Flex 7)
- An LED adapter included
- LED to be ordered separately (see page 11 and 22)
- Fiber length 4m



LIGHTHOUSE



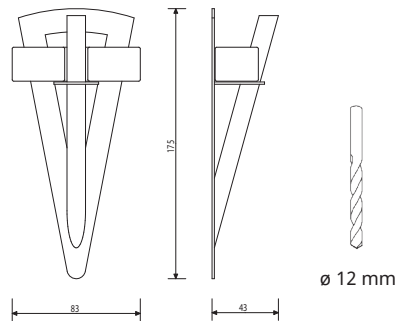
LIGHTHOUSE  
Code 1545802

Lighthouse is well suited to be used in a steam room or a sauna.

Can be illuminated with a fibre or LED.  
Recommended fibre  $\varnothing$  2 - 4 mm or one Cariitti LED (white or RGBW).

Material: Stainless steel AISI 304 and satin glass.

TORCH WITH ACRYLIC PIN



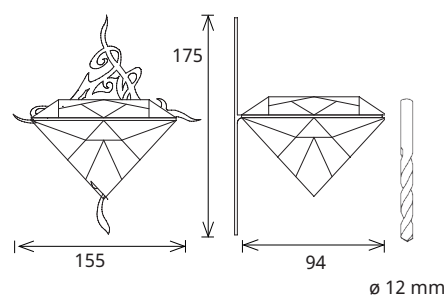
TORCH WITH ACRYLIC PIN  
Code 1545823

Torch is well suited to be used in a steam room. It is not recommended to be used in a sauna due to the acrylic part.

Can be illuminated with a fibre or LED.  
Recommended fibre  $\varnothing$  2 - 4 mm or one Cariitti LED (white or RGBW).

Material: Stainless steel AISI 304, acrylic pin and satin glass.

KIHLA



KIHLA STAINLESS STEEL  
Code 1545830

KIHLA GOLD  
Code 1545831

Kihla is a decorative light fitting, ideal for a steam bath.

Can be illuminated with a fibre or LED.  
Recommended fibre  $\varnothing$  4 mm or one Cariitti LED (white or RGBW).

Material: Stainless steel AISI 304 or gold-plated brass and lead-free crystal.

Design: Frida Lindstrom

SY

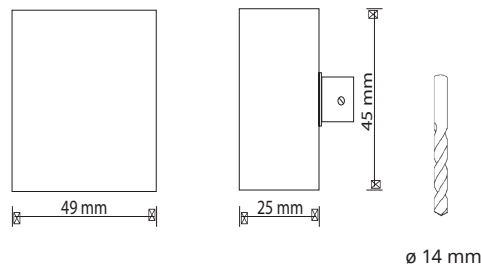
SY STAINLESS STEEL  
Code 1545030

SY GOLD  
Code 1545032

Mostly used in steam rooms. SY gives light up or down.

Can be illuminated with a fibre or LED.  
Recommended fibre  $\varnothing$  4 mm or one Cariitti LED.

Material: Stainless steel AISI 304 or gold-plated brass.



SX

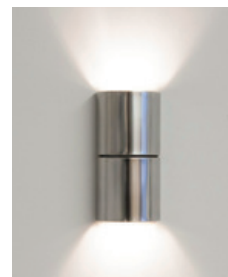
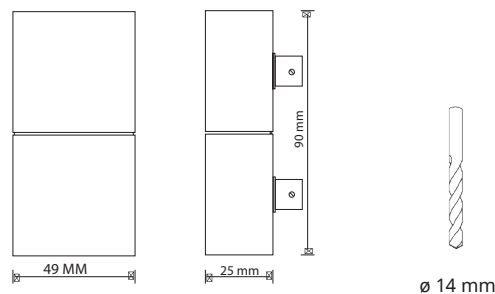
SX STAINLESS STEEL  
Code 1545034

SX GOLD  
Code 1545035

Mostly used in steam rooms. SX gives light up and down.

Can be illuminated with two fibres or LEDs.  
Recommended fibres  $\varnothing$  4 mm or two Cariitti LEDs.

Material: Stainless steel AISI 304 or gold-plated brass.



SY SQ

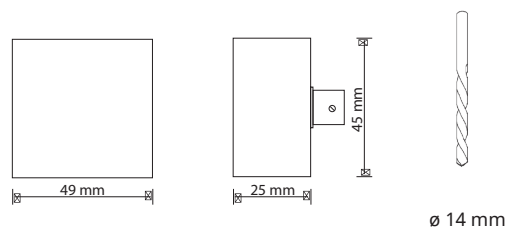
SY SQ STAINLESS STEEL  
Code 1545075

SY SQ GOLD  
Code 1545076

Mostly used in steam rooms. SY SQ gives light up or down.

Can be illuminated with a fibre or LED.  
Recommended fibre  $\varnothing$  4 mm or one Cariitti LED.

Material: Stainless steel AISI 304 or gold-plated brass.



SX SQ

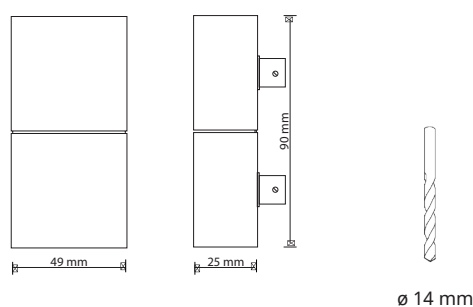
SX SQ STAINLESS STEEL  
Code 1545077

SX SQ GOLD  
Code 1545078

Mostly used in steam rooms.  
SX SQ gives light up and down.

Can be illuminated with two fibres or LEDs.  
Recommended fibres  $\varnothing$  4 mm or two Cariitti LEDs.

Material: Stainless steel AISI 304 or gold-plated brass.



**CRYSTAL KIT 6**

Code 1532621 Chrome  
Code 1532622 Gold

Includes crystals CR-12, CR-16 and CR-31, 2 pcs each.



ø 12 mm

**CR-12 KIT 3**

Code 1532623 Chrome  
Code 1532624 Gold

Includes 3 crystals CR-12.



ø 12 mm

**CR-16 KIT 3**

Code 1532625 Chrome  
Code 1532626 Gold

Includes 3 crystals CR-16.



ø 12 mm

**CR-31 KIT 3**

Code 1532627 Chrome  
Code 1532628 Gold

Includes 3 crystals CR-31.



ø 12 mm

**GP-65 KIT 6**

Code 1532619 Gold  
Code 1532620 Chrome

Includes 6 pcs of GP-65 fittings.



ø 12 mm

**CR-05 KIT 6**

Code 1532615 Gold, clear  
Code 1532616 Gold, satin  
Code 1532617 Chrome, clear  
Code 1532618 Chrome, satin

Includes 6 pcs of CR-05-fittings.



ø 12 mm

**CR-20 KIT 3**

Code 1532629 Chrome  
Code 1532630 Gold

Includes 3 crystals CR-20.



ø 12 mm

**CR-30 KIT 3**

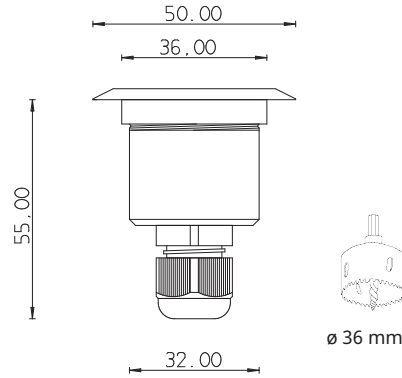
Code 1532631 Chrome  
Code 1532632 Gold

Includes 3 crystals CR-30.



ø 12 mm

S-PAVER 3200 IP68



S-PAVER 3200 IP68  
Code 1553034

S-PAVER 3200 GOLD IP68  
Code 1545217

- 1W, 350 mA, 3000 K
- Clear glass lens 30 lm, satin glass lens 26 lm
- Equipped with a 5 m connection cable
- Power supply to be ordered separately, see page 58-59.

S-PAVER RGBW 3200  
Code 1553042



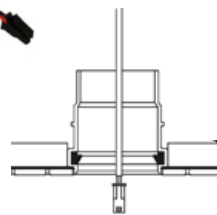
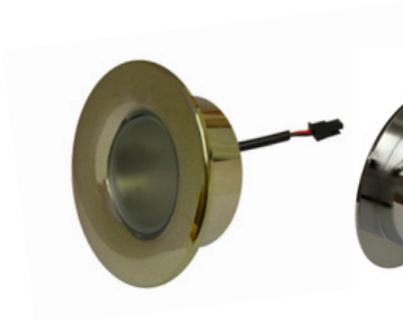
S-PAVER RGBW 3200 GOLD IP68  
Code 1553044



- RGBW 2.5 W / 200 mA
- Equipped with a 5.2 m connection cable
- Power supply to be ordered separately, see page 63.

N.B! All S-Paver fittings are delivered with both clear glass lens (opening angle 15°) and satin glass lens (opening angle 50°). Max Ta + 40°C.

NEO IP67



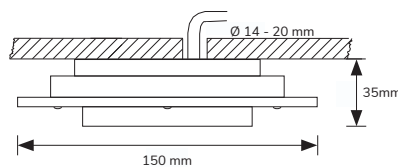
NEO GOLD IP67  
Code 1545243

NEO CHROME IP67  
Code 1545244

- 5 W / 150 mA, 3000 K
- Satin glass
- Opening angle approx. 50°
- Diameter 74 mm
- Installation hole 50 mm
- Recess 50 mm
- Equipped with a 5 m connection cable
- Power supply included
- IP67

Code 1553022 Installation tube

KUU SATIN IP67



KUU SATIN IP67  
Code 1545239

Acrylic frame  
Satin glass

- 5 W / 150 mA, 3000 K
- Equipped with a 5 m connection cable
- Power supply included
- IP67

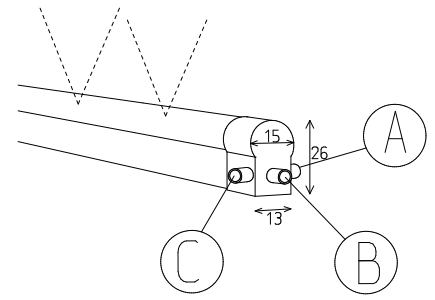


## STEAM BATH FLEX

### STEAM BATH FLEX IP67

3000 K Code 1532069 feeding from side (A/C)  
 3000 K Code 1532480 feeding from end (B)  
 RGBW Code 1532159 feeding from side (A/C)  
 RGBW Code 1532483 feeding from end (B)

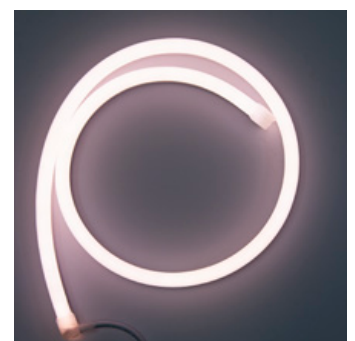
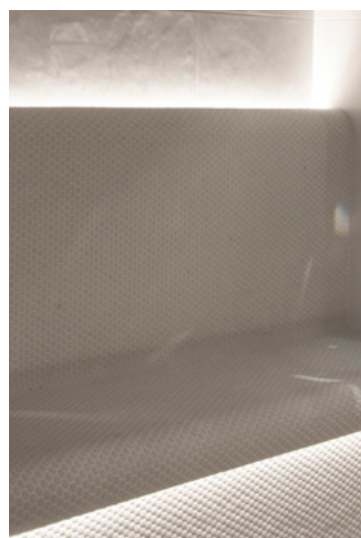
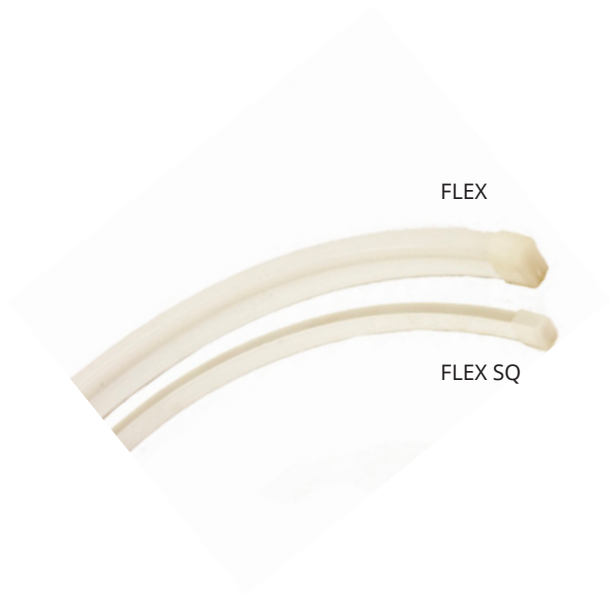
- White 3000 K - 12 W/m, 24 V
- RGBW 18 W/m, 24 V
- Minimum bend radius 60 mm
- Cutting interval 50mm 3000K, 100 mm RGBW
- H 23 mm x W 13,5/10 mm
- Metal clips and fixed 5,2m feeding cable included.
- Constant voltage LED driver to be ordered separately, see pages 60-62.
- IP67



### STEAM BATH FLEX SQ IP67

3000 K Code 1532487 feeding from end

- White 3000 K - 12 W/m, 24 V
- Minimum bend radius 60 mm
- Cutting interval 50 mm
- H 12 mm x W 6 mm
- Metal clips and fixed 5,2m feeding cable included.
- Constant voltage LED driver to be ordered separately, see pages 60-61.
- IP67





## POOL LIGHTS

Cariitti pool lights are well suited for the illumination of pools and jacuzzis. With pool lights you can also illuminate steams rooms and walkways of moist areas and emphasize beautiful details better than with any traditional lights.



NB! Serial connection only. Luminaire equipped with a 5 m connection cable. There is also available a ready-to-install extension cable length 5 m (with IP67 connector), code 1532242. Power supply to be ordered separately, see pages 58-59 (white) and 63 (RGBW).

### S-PAVER 3200

S-PAVER 3200

Code 1553034

- 3000 K, 1 W / 350 mA, IP68
- Clear glass lens 30 lm, satin glass lens 26 lm

S-PAVER RGBW 3200

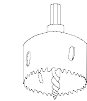
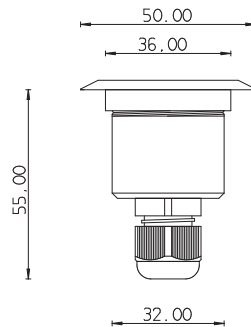
Code 1553042

- RGBW 2.5 W / 200 mA, IP68



S-PAVER 3200 FOR OPTIC FIBRE

Code 1553008



ø 36 mm



N.B! All S-Paver fittings are delivered with both clear glass lens (opening angle 15°) and satin glass lens (opening angle 50°). Max Ta + 40°C

Installing accessories for S-Paver 3200

PP32-S14 TUBE

Code 1553020

PP32-S16 PLUG

Code 1553021



ø 32 mm/49 mm ←→ 85 mm

### S-PAVER 3300

S-PAVER 3300

CODE 1553037

- 3000 K, 1 W / 350 mA, IP68

S-PAVER RGBW 3300

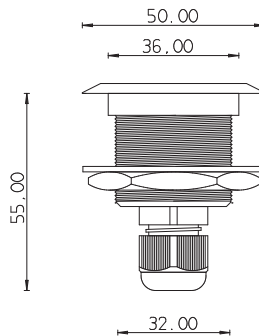
CODE 1553043

- RGBW 2.5 W / 200 mA, IP68



S-PAVER 3300 FOR OPTIC FIBRE

Code 1553010



ø 36 mm



N.B! All S-Paver fittings are delivered with both clear glass lens (opening angle 15°) and satin glass lens (opening angle 50°). Max Ta + 40°C





## STARLIGHT SETS

Cariitti Starlight sets include a projector and fibres. Some projectors have twinkle effect which makes the starlight slowly twinkle. Starlight sets are also available with crystals which create an even more beautiful effect.



STARRY SKY SIZE RECOMMENDATION

SURFACE AREA	1-2 m <sup>2</sup>	2 - 3 m <sup>2</sup>	3 - 4 m <sup>2</sup>	4 - 6 m <sup>2</sup>	6 - 10 m <sup>2</sup>	10 - 20 m <sup>2</sup>
THESE NUMBERS ARE RECOMMENDATIONS. BY USING CRYSTALS THE NUMBER OF FIBRE STRANDS CAN BE REDUCED.	75 pcs	75-100 pcs	75-150 pcs	100-200 pcs	150-300 pcs	300-600 pcs

LED STARLIGHT SETS WITH 75 FIBRES (150 MA)

Power	Fibre length 4.0 m	Total stars	Fibre	Type	Code	K
1 W	75	75	C-Flex 7	Starlight set 75 L	1532688	3000 K
1 W	75	75	C-Flex 7	Starlight set 75 K	1532689	4000 K



LED CRYSTAL STAR SET (150 MA)

Power	Fibre length 4.0 m	Total stars	Fibre	Type	Code	K
7 W	75	75	C-Flex 7	Crystal Star Chrome	1532611	4000 K

This set includes a plastic fibre harness and 6 LED crystals: 2 x CR-12, 2 x CR-16 and 2 x CR-31.



VPAC STANDARD SETS

2,5 m	3,0 m	3,5 m	4,0 m	Total stars	Fibre	Type	Code
50	50			100	C-Flex 6	VPAC-1530-CEP100	1527460
50	50			100	C-Flex 6	VPAC-1540-CEP100	1527461
50	50	50	50	200	C-Flex 6	VPAC-1530-CEP200	1527464
50	50	50	50	200	C-Flex 6	VPAC-1540-CEP200	1527465

These sets include a plastic fibre harness and a VPAC projector. Projector VPAC-1530 has a warm LED 3000K and projector VPAC-1540 a cold LED 4000K - choose your favorite. You can complete these sets with crystals, illuminated with LEDs. Select the LED set 3000K or 4000K on page 11 and crystal kit on page 26.







## VPL30 CRYSTAL STAR

2,0 m	2,5 m	3,0 m	3,5 m	Total Stars	Fibre	Type	Code
25 / 4	25 / 5	25 / 5	25 / 4	118	C-Flex 4/C-Flex 3	VPL30T Crystal Star Chrome	1527610
25 / 4	25 / 5	25 / 5	25 / 4	118	C-Flex 4/C-Flex 3	VPL30T Crystal Star Gold	1527611
25 / 4	25 / 5	25 / 5	25 / 4	118	C-Flex 4/C-Flex 3	VPL30CT Crystal Star Chrome	1527612
25 / 4	25 / 5	25 / 5	25 / 4	118	C-Flex 4/C-Flex 3	VPL30CT Crystal Star Gold	1527613



Crystal Star sets include a plastic fibre harness with 100 pcs of thin (0,75mm) fibres and 18 pcs of thicker (3mm) fibres with Crystal fittings, 6 x CR-12, 6 x CR-16 and 6 x CR-31. The light sources of the projector are white LEDs with twinkle effect (T) or blue LEDs with blue twinkle effect (CT).

## VPL30 STANDARD SETS WITH TWINKLE EFFECT

2,5 m	3,0 m	3,5 m	4,0 m	4,5 m	Total Stars	Fibre	Type	Code
50	50				100	C-Flex 6	VPL30T-CEP100	1527601
50	50	50	50		200	C-Flex 6	VPL30T-CEP200	1527603
	75	75	75	75	300	C-Flex 7	VPL30T-300	1527608

These sets include a plastic fibre harness and a projector with white LEDs as the light source. The projector has a twinkle effect (T) that makes the stars slowly twinkle imitating the real starry sky.

## VPL30 STANDARD SETS WITH BLUE TWINKLE EFFECT

2,5 m	3,0 m	3,5 m	4,0 m	4,5 m	Total Stars	Fibre	Type	Code
50	50				100	C-Flex 6	VPL30CT-CEP100	1527605
50	50	50	50		200	C-Flex 6	VPL30CT-CEP200	1527607
	75	75	75	75	300	C-Flex 7	VPL30CT-300	1527609

These sets include a plastic fibre harness and a projector with blue LEDs as the light source. The projector has a blue twinkle effect (CT) that makes the stars slowly twinkle in bluish colours imitating the real starry sky.

## VPL30 STANDARD SETS WITH KALEIDOSCOPE EFFECT

2,5 m	3,0 m	3,5 m	4,0 m	4,5 m	Total Stars	Fibre	Type	Code
50	50				100	C-Flex 6	VPL30KT-CEP100	1527614
50	50	50	50		200	C-Flex 6	VPL30KT-CEP200	1527615
	75	75	75	75	300	C-Flex 7	VPL30KT-300	1527616

These sets include a plastic fibre harness and a projector with kaleidoscope effect, produced by white, blue and cyan coloured LEDs.

Crystals and SADE fittings can be used with all Cariitti LED lighting sets, see page 11. SADE is easy to install with the enclosed locking springs. Installation hole  $\varnothing$  12 mm.

## SADE

SADE 345  
Code 1545833

Lengths of the crystal chains:  
150 / 185 / 215 mm

SADE 567  
Code 1545835

Lengths of the crystal chains:  
215 / 250 / 285 mm

- Recess 20 mm
- Lead-free crystal



$\varnothing$  12 mm







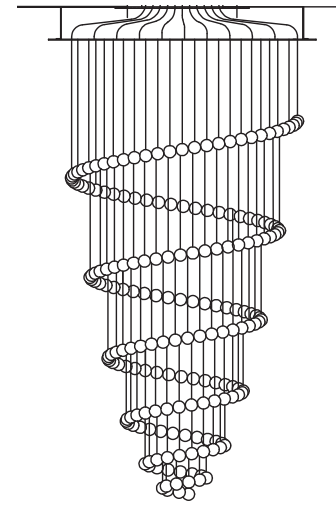
## CHANDELIERS AND SPACE DIVIDERS

With Kimmel fiber optic chandeliers and Pirta curtains, you will get a striking eye-catcher or a space divider in a room.

KIMMEL

FIBRE OPTIC CHANDELIERS WITH INTEGRATED LED PROJECTORS

Code	Type	Height	Diameter	Weight	Chrytals
1527810	Kimmel 1	180 cm	56 cm	11 kg	150
1527811	Kimmel 2	250 cm	66 cm	13 kg	200
1527812	Kimmel 3	350 cm	66 cm	25 kg	200
1527813	Kimmel 4	350 cm	98 cm	32 kg	250
1527814	Kimmel 5	450 cm	98 cm	34 kg	250



The fibre optic chandelier is comprising preinstalled threadlite tails fitted to a metal recessed base and applied with crystal fittings to form a ready-to-install chandelier package. LED projectors are integrated inside the luminaire. IP44.





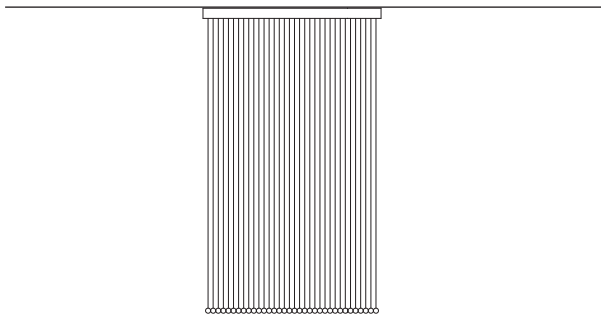
PIRTA

CURTAIN PARTITIONS WITH INTEGRATED LED PROJECTORS

Code	Type	Height	Width	Weight	Crystals
1527827	Flat 0.8	200 cm	80 cm	17 kg	80
1527826	Flat 1.2	200 cm	120 cm	26 kg	120
1527829	Flat 1.6	200 cm	160 cm	34 kg	160

The fibre optic curtain partition is comprising preinstalled threadlite tails fitted to a metal recessed base and applied with crystal fittings to form a ready-to-install curtain package. LED projectors are integrated inside the luminaire. IP44.

The curtain partition can be installed on a ceiling or wall, to be specified upon order. Other lengths are available on order.



Pirta Flat







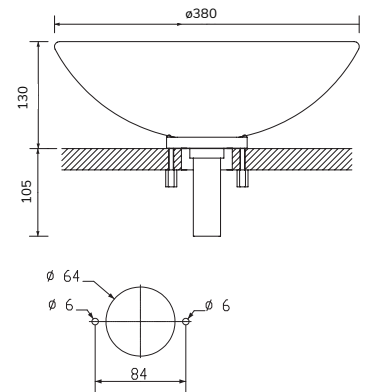
## BATHROOM LIGHTING

In Cariitti bathroom creations, traditional lighting fixtures are replaced by LED illuminated glass basins and towel hooks.

GLASS BASIN Ø 380

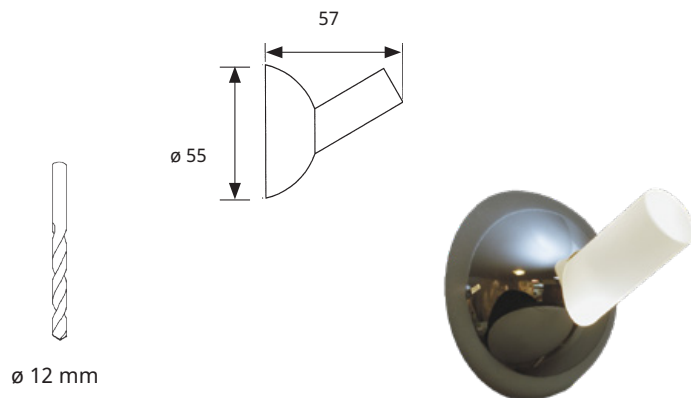
CODE 1545672

- Max. power 3.1 W, IP67
- A 5 m connecting cable included.
- Complete kit, a power supply IP20 included.



Recommended ambient temperature from -30°C to +40°C.

CRB-30



Code 1545552

- AISI 316L
- Satin glass

Can be illuminated with a fibre or LED.  
Recommended fibre Ø 2 - 4 mm or one Cariitti LED (white or RGBW).

CLARA

CLARA WHITE  
Code 1554517

CLARA CHROME  
Code 1554518

CLARA BLACK  
Code 1554519

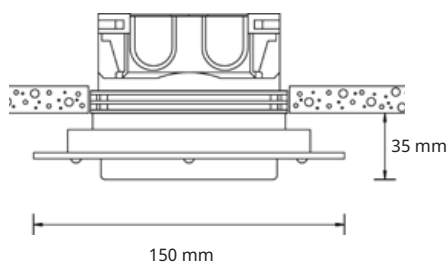
- Dimmable colour temperature 4000 – 2200 K, 550 lm
- 8 W, 220 – 240 V
- Ra > 90
- Light opening angle 40°
- Adjustable
- Material: aluminium
- Diameter ø 95 mm
- Recess 47 mm
- Installing hole ø 83 mm
- Power supply included
- IP44



KUU SATIN 230

KUU SATIN 230  
Code 1554006

- 3000 K, 421 lm
- 8 W, 230 V
- Ra >80
- Acrylic frame, satin glass
- Installation to a junction box
- Supply voltage LED light, no power supply needed, Triac dimmable
- IP44







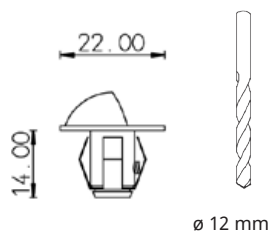
GP-65 KIT 6

GOLD Code 1532619  
 CHROME Code 1532620

Includes 6 pcs of GP-65 fittings

Available in chrome and gold.  
 Ideal for lighting floor surfaces and various niches both in moist and dry places.

Can be used with LED and fibre optic sets.

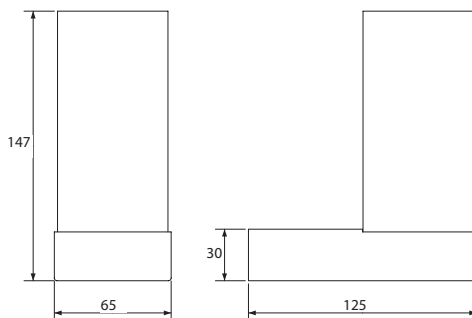




## TOIVE

TOIVE  
Code 1527844

- 2 x 1 W, 4000 K
- 350 mA
- IP44
- Stainless steel frame
- Lead-free crystal
- Power supply included
- A 5 m connecting cable included



Toive is a modern crystal light fitting. The light reflects through the crystals and creates beautiful and exciting figures on the wall. Toive is ideal for both homes and public premises: in lounges, hallways or in a bedroom above the bedside tables.

Design: Frida Lindström

## ARCTIC SKY

ARCTIC SKY  
Code 1589030

Crushed glass panel 500 x 500 x 30 mm is like a painting. Can be illuminated with one 6 mm fibre or LED. A dashing and therapeutic element that changes character according to the chosen light effect.

Depending on the chosen projector you can create effects like fire flame, northern lights or colour change. With clear white light the panel looks like crushed ice.

You can also install multiple elements on top of each other or side by side.

Not suitable for a sauna.

- 1 x C-Flex 6 M8
- 1 x Cariitti LED, see page 11 and 22

ARCTIC SKY RGBW  
Code 1589026



- RGBW 2.5 W/200 mA
- Serial connection
- Power supply to be ordered separately, see page 63.
- IP44



## LED PROFILE LIGHTS

The lights of HUUHTO Easy product family are ideal for the lighting of a bathroom, kitchen and various worktops. The selection consists of ready-made LED lighting profiles and various corner pieces and fittings. There is also available a socket outlet box with an integrated power supply and switch, quite unique in the market.

Available also in IP65, RGBW IP67 and individual lengths on order. The recommended maximum length is 2 meters.



## HUUHTO EASY

HUUHTO EASY is quick and easy to install. The profiles are connected to each other with enclosed connectors. The profiles are fastened invisibly on the installation surface with enclosed clips. The satin cover reduces the LED spot effect to minimum. The cover is mounted inside the profile edges, preventing the side glare of light.

HUUHTO EASY lights are suitable for a diverse use. They are ideal for kitchen unit lighting and well suited for indirect lighting through ceiling surface. They can also be used in the edge of a table to illuminate the front surface of drawers and cupboards. In these installations HUUHTO provides an excellent light inside the drawers when opening them.

Length (mm) / K	Power W	Voltage V	Lumen	Code
330/3000 K 330/4000 K	5 W 5 W	24 V 24 V	278 lm 315 lm	1532450 1532456
520/3000 K 520/4000 K	8 W 8 W	24 V 24 V	470 lm 534 lm	1532451 1532457
620/3000 K 620/4000 K	10 W 10 W	24 V 24 V	547 lm 621 lm	1532452 1532458
1000/3000 K 1000/4000 K	16 W 16 W	24 V 24 V	945 lm 1073 lm	1532453 1532459
1480/3000 K 1480/4000 K	24 W 24 W	24 V 24 V	1415 lm 1607 lm	1532454 1532460
1960/3000 K 1960/4000 K	32 W 32 W	24 V 24 V	1890 lm 2147 lm	1532455 1532461

- Broad spread of light, suitable e.g. for illumination of kitchen units, shelves and ceiling and wall surfaces, IP44.
- To be noted in installation planning that the connector of the supply cable will add the total length with 20-40 mm.
- Easy to install with the enclosed clips.
- Profile size: width 18 mm, height 16 mm
- The total length of connected profiles is max 5 m.
- See suitable power supplies on page 60-61.



### CONNECTION WIRE 100 MM

Code 1532363

- Total length 100 mm, cable length 25 mm.



### ADJUSTMENT FITTINGS, A PAIR

Code 1532361



### SUPPLY CABLE 5 M

Code 1532118



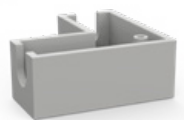
### SUPPLY CABLE 5 M, WITH 90 DEGREE ANGLE

Code 1532133



### CORNER PIECE

Code 1532362  
52 x 52 mm



- requires a connection wire 100 mm (1532363)
- suitable to be used with invisible clips







## FIBRE OPTIC PROJECTORS

Among the range of Cariitti projectors you will easily find a model to suit your own lighting solutions and type of installation.

All our projectors are equipped with an LED light source. This ensures the excellent light quality and long lifetime. The product range includes also RGBW projectors with colour change, as well as projectors with various effects.



VPL10

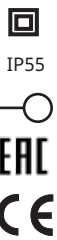


VPL10  
Code 1501414

- 230 V, 1.7 W, 350 mA, 85 lm, IP55
- LED 3000 K, 50.000 h
- Electronic power supply
- Not dimmable
- Weight 0.7 kg
- Max. 75 strands

VPL10 X  
Code 1501412

- 230 V, 5 W, 700 mA, 162 lm, IP55
- LED 3000 K, 50.000 h
- Electronic power supply
- Not dimmable
- Weight 0.7 kg
- Max. 75 strands



VPAC

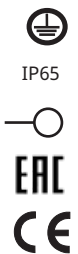


VPAC27 16.5 W  
Code 1801001 • 2700 K

VPAC30 16.5 W  
Code 1801002 • 3000 K

VPAC40 16.5 W  
Code 1801003 • 4000 K

- 230V, 1500 lm, IP65
- L145 x W150 x H83 mm
- LED, 50.000 h
- Mains dimmable
- Weight 1.03 kg



Replaces the previous halogen projectors VP33, VP15 and VP3.

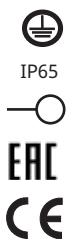
VPL30X



VPL30 XL 34.5 W  
Code 1501487 • 3000 K

VPL30 XK 34 W  
Code 1501488 • 4000 K

- 90-264 V, 700 mA, 1950 lm, IP65
- L250 x W150 x H83 mm
- LED, 50.000 h,
- Max Ta +40 °C
- Electronic power supply
- Dimmable 1-10 V
- Weight 2.1 kg



VPL30X DALI



VPL30X L DALI 33 W  
Code 1501524 • 3000 K

VPL30X K DALI 33 W  
Code 1501525 • 4000 K

- 230V, 500 mA, 1380 lm, IP65/IP20
- L145 x W150 x H83 mm
- LED, 50.000h
- Max Ta +40 C
- Electronic power supply IP20
- Dimming with DALI / push-button
- Weight 1.5 kg

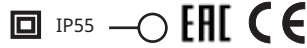


VPL10UV



VPL 10 UV  
Code 1501795

- 230V / 1.7 W / 350mA / IP55
- LED, 425 - 430 nm
- Electronic power supply
- Not dimmable
- Weight 0.7 kg

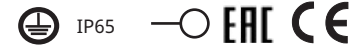


VPL30UV



VPL 30 UV  
Code 1501796

- 230V, 30 W / 230 mA, IP65
- LED, 425 - 430 nm
- L250 x W150 x H83 mm
- Max Ta +40 °C
- Electronic power supply
- Dimmable 1-10 V
- Weight 2.1 kg

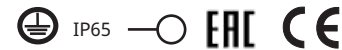


VPL 30 EFFECT OPTIONS	KT	T	CT	NL	FL
KALEIDOSCOPE, PRODUCED BY WHITE, BLUE AND CYAN COLOURED LEDS	•				
TWINKLE, CLEAR TWINKLE EFFECT, PRODUCED BY LEDS 4000 K		•			
BLUE TWINKLE, PRODUCED BY BLUE AND CYAN COLOURED LEDS			•		
NORTHERN LIGHT, EFFECT WITH CHANGING COLOURS BLUE, GREEN AND MAGENTA, PRODUCED BY LEDS				•	
FIRE FLAME, EFFECT WITH CHANGING COLOURS ORANGE, YELLOW AND AMBER, PRODUCED BY LEDS					•

VPL30 WITH EFFECTS



- VPL30
- 90-264 V / 13 W
  - L250 x W150 x H83 mm
  - LED, 50.000 h
  - Electronic power supply
  - IP65
  - Weight 2.1 kg



Type	Code	KT	T	CT	NL	FL
VPL30KT	1501456	•				
VPL30T	1501452		•			
VPL30CT	1501453			•		
VPL30NL	1501454				•	
VPL30FL	1501455					•

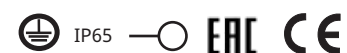
RGBW COLOR CHANGE



Photo: RGBW-BLE 1801007.

Type	Code
RGBW-BLE	1801007
RGBW-BLE XPRESS-SWITCH	1801008
RGBW-DALI	1801009
RGBW-DMX	1801010

- RGBW COLOR CHANGE
- 230V, 10W
  - LED, 60.000h
  - Electronic power supply
  - IP65 or IP65/IP20
  - RGB + W 7600 K



RGBW color change projectors are available with several control options. The most popular is the wireless BLE lighting control, used with the Casambi App. You can download the app for iPhone or iPad devices from the App Store and for Android devices from GooglePlay. You can use the app to control the colors and brightness of the light.



## OPTIC FIBRES

With optic fibres light can be taken everywhere. There is no electricity or heat in the fibres, there is only light. When producing a fibre bundle the projector end is hermetically sealed to keep the fibre clean and later prevent it from melting. The projector end is protected with a thermal protection filter. All fibre joints and endings in the fibre bundle are made without adhesives using the so-called dry polishing method which gives the best light conductivity performance on the market.



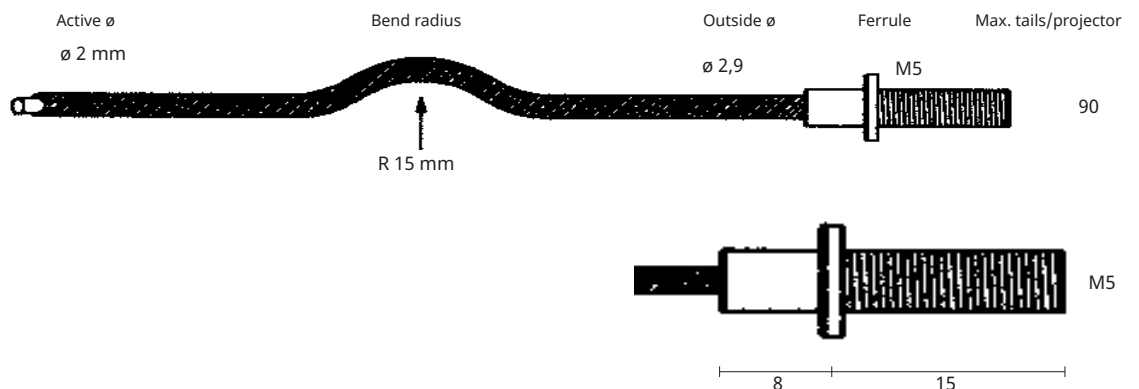


BARE PLASTIC SINGLE CORE FIBRE

Type	Code	Active Ø	Outside Ø mm	Bend Radius mm	Ferrule	Max.tails/projector
CK 0.75	1530016	0.75	0.75	5	-	650

PLASTIC SINGLE CORE FIBRE WITH BLACK OUTER TUBING

Type	Code	Active Ø	Outside Ø mm	Bend Radius mm	Ferrule	Max.tails/projector
CK-FLEX 2	1530010	2	2.5	15	M5	90



PLASTIC STRANDED FIBRES



- C-Flex plastic fibres are made of 0.75 mm strands, e.g. a 4 mm fibre consists of 25 single 0.75 mm strands.
- The light transmitting of plastic fibres is excellent, the light reduction is approx. 3% / m.
- The recommended ambient temperature is -40 °C - +80 °C.
- The recommended fibre length is max 10 m.

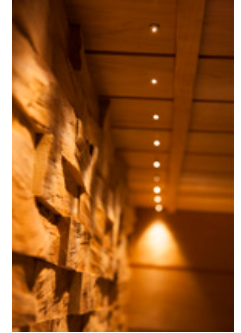


	0,75 strands/ fibre	Active ø	Bend radius	Outside ø	Ferrule	Max. tails/projector
<b>C-FLEX 2</b> Code 1530005	7	ø 2,1 mm	R 7,5 mm	ø 5	M5/M8	92
<b>C-FLEX 3</b> Code 1530006	13	ø 3,0 mm	R 10 mm	ø 5,6	M5/M8	50
<b>C-FLEX 4</b> Code 1530007	25	ø 4,3 mm	R 15 mm	ø 7	M8	26
<b>C-FLEX 6</b> Code 1530008	50	ø 6 mm	R 20 mm	ø 10	M8	13
<b>C-FLEX 7</b> Code 1530009	75	ø 7,5 mm	R 28 mm	ø 11,5	M10	8

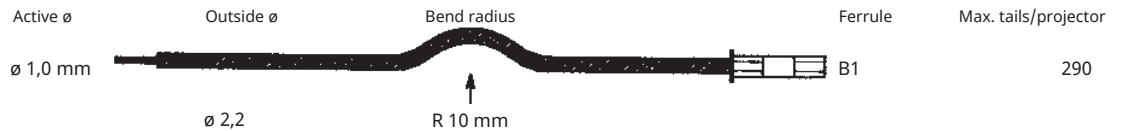
GLASS FIBRES

GLASS FIBRES

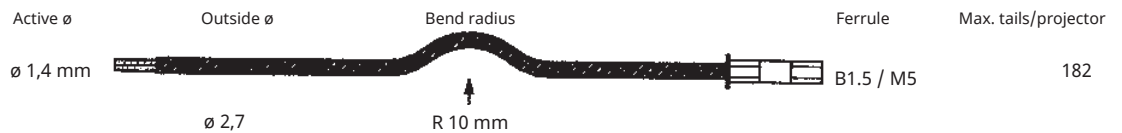
- Glass fibres are produced of 0.05 mm glass strands. The fibre is flexible and easy to handle.
- The recommended ambient temperature of glass fibres is -50 °C - +180 °C.
- Glass fibres do not wear out and they can be used both indoors and outdoors.
- The light transmitting is excellent, the light reduction is approx. 5% / m.
- The recommended fibre length is max 10 m.



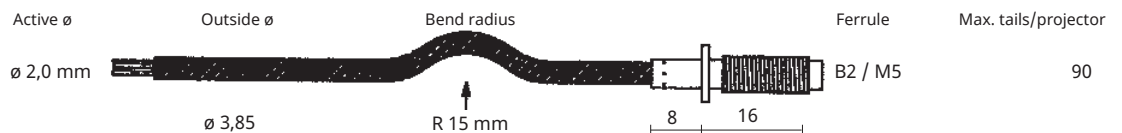
**S-FLEX 1**  
Code 1530300



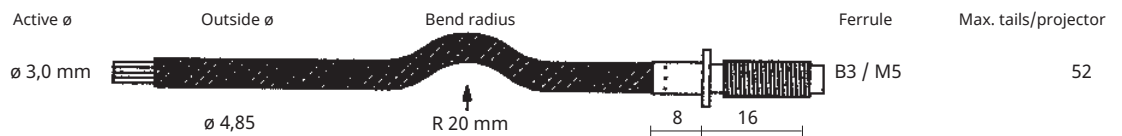
**S-FLEX 1,5**  
Code 1530301



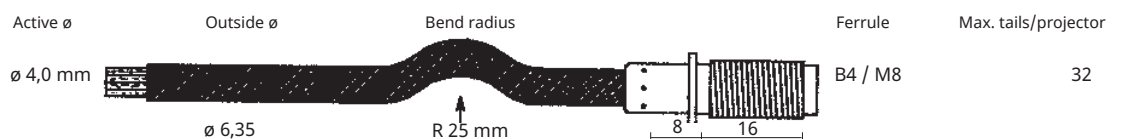
**S-FLEX 2**  
Code 1530302



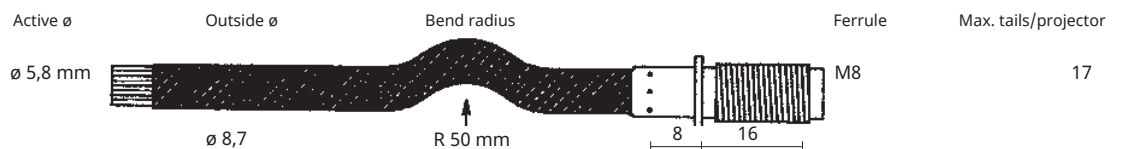
**S-FLEX 3**  
Code 1530303



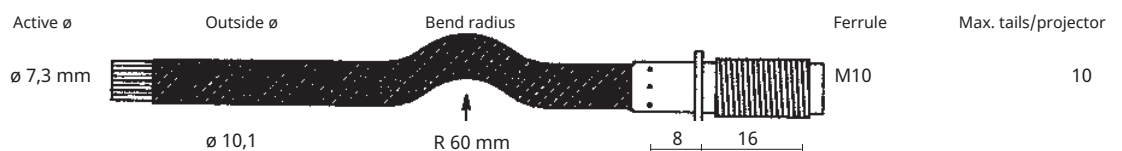
**S-FLEX 4**  
Code 1530304



**S-FLEX 6**  
Code 1530306



**S-FLEX 7**  
Code 1530307





## LATERAL GLASS FIBRE

## SIDELIGHT – GLASS FIBRE Ø 4.85 MM

Code 1530203

- Sidelight glass fibre can be used to create e.g. decorative lighting and effects.
- The recommended ambient temperature of Sidelight fibres is  $-40\text{ }^{\circ}\text{C}$  -  $+200\text{ }^{\circ}\text{C}$ .
- The recommended fibre length is max 3 m, lit from one end, or max 5 m, lit from both ends.
- The recommended projector VPL10 for a single fibre.
- The minimum bend radius 15 mm.
- Can be fastened with silicone.



Lateral fibres are used to illuminate and emphasize various forms and shapes e.g. in a sauna.

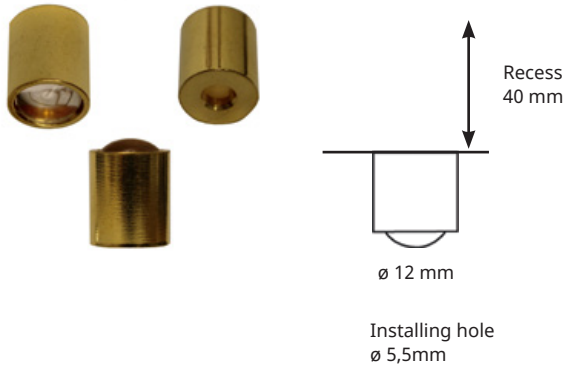




Fittings are easy to install. Colours gold, chrome and white. Installation surface min. 6 mm. At the end of a fibre, the light angle is approx. 40-60°. With a lens fitting, the light can be focused to a 25-35° angle depending on the lens.

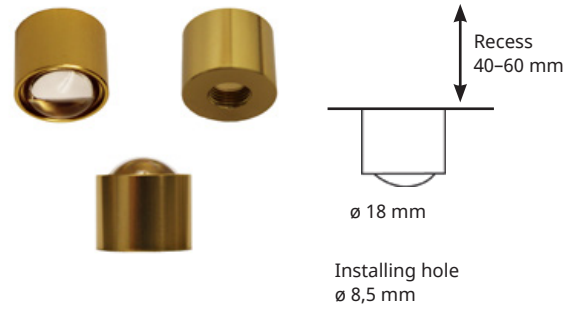
CR-09 M5

Code 1540082 Gold  
Code 1540083 Chrome



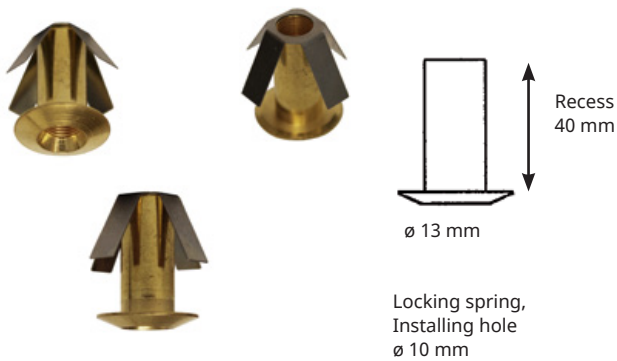
CR-18 M8

Code 1538006 Gold  
Code 1538009 Chrome



CR-01 M5

Code 1540048 Gold  
Code 1540049 Chrome



CR-07 KIT 6

Code 1532641 Chrome, clear  
Code 1532642 Chrome, satin  
Code 1532643 Gold, clear  
Code 1532644 Gold, satin  
Code 1532645 Black, clear  
Code 1532646 Black, satin

- Each set includes 6 pcs.
- For a fibre with M5 ferrule requires an extendable ferrule (1548435, page 56).



EXTENDABLE FERRULE M5/6 MM

Code 1548435

- Extendable ferrule, converts 5 mm ferrule to fit LED fittings.



EXTENDABLE FERRULE M5/M8

Code 1548405

- Extendable ferrule, converts 5 mm ferrule to 8 mm ferrule.



EXTENDABLE FERRULE 6 MM/M8

Code 1538021

- Extendable ferrule, converts 6 mm LED to 8 mm ferrule.



ADAPTER FOR EXTENSION FIBRE (VPL 10)

Code 1548434

- Extendable adapter for connecting extension fibre with M8 ferrule to projectors VPL 10 (1501414 and 1501412).
- Extension fibre with M5 ferrule requires additionally an Extendable Ferrule M5/M8 (1548405).



CRIMPABLE FERRULE M5

Code 1538013

- Extendable ferrule, converts crimped B1.5 ferrule to 5 mm ferrule.



MOUNTING SLEEVE FOR A FIBRE

Code 1548436 Chrome  
Code 1548437 Gold

- Can be used for fibre installation, for example in a "sandwich" type of sauna cabin roof structure.
- The sleeve is drilled into the hole and tightened with the enclosed nut.
- Length 115 mm
- Installing hole  $\varnothing$  10 mm
- Includes a fitting CR-01 (page 55) with an O-ring to tighten the fibre.
- Suitable for use with all fibres with M5 thread



CRIMPABLE FERRULE M5/M8

Code 1538020

- Extendable ferrule, converts crimped B2 or 5 mm ferrule to 8 mm.



EXTENDABLE FERRULE B2/6 MM

Code 1848000

- Extendable ferrule, converts crimped B2 brass ferrule to fit LED fittings (with interior  $\varnothing$  6 mm).



LOCKING RING SET M5

Code 1540110 Gold  
Code 1540111 Chrome

- Includes 5 rings





## POWER SUPPLIES, CONTROL MODULES AND REGULATORS

Power supplies and control modules are available with push button, DALI and DMX control options.

OTI DALI 10

150 mA Code 1532443  
350 mA Code 1532449

- Nominal input voltage 220-240 V
- Network frequency 50-60 Hz
- Output power, partial load 1-13 W 150 mA / 1-9 W 350 mA
- Ambient temperature range Ta -20...+50°C
- Wire size 0.2-1.5 mm<sup>2</sup>
- Dimensions L 124 mm x W 31 mm x H 21 mm
- Weight 76 g
- IP20
- Dimming: DALI



OTI DALI 15

150 mA Code 1532296  
350 mA Code 1532442

- Nominal input voltage 220-240 V
- Network frequency 50-60 Hz
- Output power, partial load 3-15 W 150mA / 350 mA
- Ambient temperature range Ta -20...+50°C
- Wire size 0.2-1.5 mm<sup>2</sup>
- Dimensions L 95 mm x W 53 mm x H 30 mm
- Weight 100 g
- IP20
- Dimming: DALI or push-button



ALCC008-00350-021-67

Code 1863000

- Constant current LED driver 350 mA
- Nominal input voltage 100-240 VAC
- Network frequency 50-60 Hz
- Output power, partial load 1-6 W
- Maximum ambient temperature Ta max +50°C
- Wire size AWG 18/0.8 mm<sup>2</sup>
- Dimensions L 57 mm x W 41 mm x H 24 mm
- Weight 80 g
- IP67
- Not dimmable



ALCC010-00350-042-DALI

Code 1863007

- Constant current LED driver 120-350 mA
- Nominal input voltage 100-240 VAC
- Network frequency 50-60 Hz
- Output power, partial load 4-14 W 150 mA (9-42 V) / 4-9 W 350 mA (9-28 V)
- Maximum ambient temperature Ta max +50°C
- Wire size LN AWG 18/0.8 mm<sup>2</sup>, DALI AWG 20/0.8 mm<sup>2</sup>, secondary AWG 18/0.8 mm<sup>2</sup>
- Dimensions L 75 mm x W 35 mm x H 26.5 mm
- Weight 90 g
- IP20
- Dimming: DALI 2.0 or push-button



ALCC020-00700-045-DALI

Code 1863012

- Constant current LED driver 350 - 700 mA
- Nominal input voltage 100 - 240 V
- Network frequency 50-60 Hz
- Output power, partial load 3,5 - 20 W
- Maximum ambient temperature Ta max +50°C
- Wire size primary AWG 18/0.8 mm<sup>2</sup>, DALI AWG 20/0.5 mm<sup>2</sup>, secondary AWG 18/0.8 mm<sup>2</sup>
- Dimensions L 88 mm x W 43 mm x H 27 mm
- Weight 154 g
- IP20
- Dimming: DALI 2.0 or push-button



ALCC015-00350-040-67-DC

Code 1863006

- Constant current LED driver 350 mA
- Nominal input voltage 11-15 VDC / 22-30 VDC
- Output power, partial load 10.5-14 W
- Ambient temperature range Ta -20...+40°C
- Wire size primary AWG 18/0.8 mm<sup>2</sup>, secondary AWG 20/0.5 mm<sup>2</sup>
- Dimensions L 57 mm x W 41 mm x H 24 mm
- Weight 82 g
- IP67
- Not dimmable



ALCC008-00680-011-67

Code 1863001

- Constant current LED driver 680 mA
- Nominal input voltage 100-240 VAC
- Frequency 50-60 Hz
- Output power, partial load 1.4-6 W
- Maximum ambient temperature Ta max. 50°C
- Wire size AWG 18/0.8 mm<sup>2</sup>
- Dimensions L 57 mm x W 41 mm x H 24 mm
- Weight 80 g
- IP67
- Not dimmable



ALCC020-00600-045-67-TRIAC

Code 1863002

- Constant current LED driver 250-600 mA
- Nominal input voltage 220-240 V
- Frequency 50-60 Hz
- Output power, partial load 2.3-20 W (250 mA 2.3-11.2 W / 350 mA 2.3-15.7 W / 500 mA 2.3-20 W / 600 mA 2.3-19.8 W)
- Maximum ambient temperature Ta max 50°C
- Wire size AWG 18/0.8 mm<sup>2</sup>
- Dimensions L 88 mm x W 43 mm x H 26,5 mm
- Weight 126 g
- IP20
- Dimming: TRIAC





POWER SUPPLY FOR 1-9 LEDS

Code 1532158

- Constant current LED driver 150 mA
- Nominal input voltage 220-240 V
- Network frequency 50-60 Hz
- Output power, partial load 1-9 W
- Ambient temperature range Ta -20...+50°C
- Wire size 0.2-1.5 mm<sup>2</sup>
- Dimensions L 400 mm x W 80 mm x H 23 mm
- Weight 110 g
- A serial connection module included.
- IP20
- Dimming: DALI



POWER SUPPLY FOR 1-3 LEDS

Code 1545240

- Constant current LED driver 350 mA
- Nominal input voltage 100-240 V
- Network frequency 50-60 Hz
- Output power, partial load 1-3 W
- Ambient temperature range Ta -20...+60°C
- Wire size 0.2-1.5 mm<sup>2</sup>
- Dimensions L 86 mm x W 86 mm x H 39 mm
- Weight 140 g
- IP55
- Not dimmable



POWER SUPPLY FOR 3-6 LEDS

Code 1863005

- Constant current LED driver 350 mA
- Nominal input voltage 220-240 V
- Network frequency 50-60 Hz
- Output power, partial load 3-6 W
- Ambient temperature range Ta -20...+50°C
- Wire size 0.2-1.5 mm<sup>2</sup>
- Dimensions, Box 1: L 150 mm x W 86 mm x H 39 mm, Box 2: L 86 mm x W 86 mm x H 39 mm
- Weight 208 g
- IP55
- Dimming: Trailing Edge (TE)



LL1X30-E-CV24

Code 1532287

- Independent constant voltage LED driver
- Constant voltage output 24V
  - Maximum output power 30 W
  - Suitable for use with LL1xCV-DA driver extension for DALI dimmable solutions
  - Ambient temperature range Ta -15 ... +45°C
  - Wire size 0.5 – 1.5 mm<sup>2</sup>
  - Dimensions L153 mm x W41 mm x H32 mm
  - Weight 150 g
  - IP20



LL1X75-E-CV24

Code 1532288

- Independent constant voltage LED driver
- Constant voltage output 24V
  - Maximum output power 75 W
  - Suitable for use with LL1xCV-DA driver extension for DALI dimmable solutions
  - Ambient temperature range Ta -15 ... +45°C
  - Wire size 0.5 – 1.5 mm<sup>2</sup>
  - Dimensions L180 mm x W52 mm x H30 mm
  - Weight 280 g
  - IP20



LL1X120-E-CV24

Code 1532299

- Independent constant voltage LED driver
- Constant voltage output 24V
  - Maximum output power 120 W
  - Suitable for use with LL1xCV-DA driver extension for DALI dimmable solutions.
  - Ambient temperature range Ta -20...+45°C
  - Wire size, 0.5 - 1.5 mm<sup>2</sup>
  - Dimensions P 300 mm x L 40 mm x K 30 mm.
  - Weight 425 g
  - IP20



OL1X30-E-CV24

Code 1532293

- Independent constant voltage LED driver
- Constant voltage output 24V
  - Maximum output power 30 W
  - Suitable for use with LL1xCV-DA driver extension for DALI dimmable solutions
  - Ambient temperature range Ta -15 ... +45°C
  - Wire size, load wires 0.75 mm<sup>2</sup>
  - Wire size, mains wires 1.0 mm<sup>2</sup>
  - Dimensions L131 mm x W42 mm x H34 mm
  - Weight 340 g
  - IP67



OL1X75-E-CV24

Code 1532292

- Independent constant voltage LED driver
- Constant voltage output 24V
  - Maximum output power 75 W
  - Suitable for use with LL1xCV-DA driver extension for DALI dimmable solutions
  - Ambient temperature range Ta -15 ... +45°C
  - Wire size, load wires 0.75 mm<sup>2</sup>
  - Wire size, mains wires 1.0 mm<sup>2</sup>
  - Dimensions L155 mm x W50 mm x H32 mm
  - Weight 454 g
  - IP67



ALCV036-024

Code 1863008

- Constant voltage LED driver 24 VDC
- Nominal input voltage 100-240 VAC
- Network frequency 50-60 Hz
- Output power 36 W
- Maximum ambient temperature Ta max +40°C
- Terminals
- Dimensions L 101 mm x W 44,5 mm x H 25 mm
- Weight 136 g
- IP20
- Not dimmable



ALCV060-024

Code 1863009

- Constant voltage LED driver 24 VDC
- Nominal input voltage 100-240 VAC
- Network frequency 50-60 Hz
- Output power 60 W
- Maximum ambient temperature Ta max 50°C
- Terminals
- Dimensions L 175 mm x W 46 mm x H 30 mm
- Weight 348 g
- IP20
- Not dimmable



ALCV040-024-65-DIM

Code 1863003

- Constant voltage LED driver 24 VDC
- Nominal input voltage 220-240 VAC
- Network frequency 50-60 Hz
- Output power 40 W
- Maximum ambient temperature Ta max 50°C
- Wire size primary AWG 16/1.3 mm<sup>2</sup>, secondary AWG 18/0.8 mm<sup>2</sup>
- Dimensions L 107,5 mm x W 43,5 mm x H 32 mm
- Weight 254 g
- IP65
- Dimming: TRIAC



ALCV075-024-65-DIM

Code 1863004

- Constant voltage LED driver 24 VDC
- Nominal input voltage 220-240 VAC
- Network frequency 50-60 Hz
- Output power 75 W
- Maximum ambient temperature Ta max 50°C
- Wire size primary AWG 16/1.3 mm<sup>2</sup>, secondary AWG 18/0.8 mm<sup>2</sup>
- Dimensions L 137,5 mm x W 47 mm x H 32 mm
- Weight 390 g
- IP65
- Dimming: TRIAC



LL1-CV-DA

Code 1532289

The LL1-CV-DA DALI dimmable extension unit is designed to be used with constant voltage LED drivers, creating solutions for decorative lighting.

- DALI control input, 0.1 %-100 % dimming range
- 1 kHz PWM dimming frequency
- Stand-by power < 0.1 W
- Duplicate terminals for parallel connection
- Maximum output power 120 W
- Ambient temperature range Ta -20 ... +50°C
- Wire size 0.5 - 1.5 mm<sup>2</sup>
- Dimensions L184 mm x W40 mm x H26 mm
- Weight 70 g
- IP20



LL1-CV-SC

Code 1532346

LL1-CV-SC dimmable extension unit for push-button control

- Switch-Control input, 0.1 % - 100 % dimming range
- 1 kHz pulse-width modulation (PWM) frequency
- Stand-by power <0.1W
- Duplicated terminals for parallel connection
- Maximum output power 120 W
- Ambient temperature range Ta -20...+50°C
- Wire size 0.5 - 1.5 mm<sup>2</sup>
- Dimensions L184 mm x W40 mm x H26 mm
- Weight 70 g
- IP20





LED CONTROL MODULE DALI 75W 4CH

Code 1532347

- 4-channel constant current control module DALI DT6, dimmable
- Nominal input voltage 200 – 240 VAC
- Output power 72 W
- Output current 4 x (250 – 1500) mA
- Output voltage 8 – 48 VDC
- Ambient temperature range Ta -20...+45°C
- Compatible with DALI control panel in DALI Master network
- Wire size 0.5 - 1.5 mm<sup>2</sup>
- Dimensions L244 mm x W64 mm x H32 mm
- Weight 444 g
- IP20



LED CONTROL MODULE DMX 75W 4CH

Code 1532367

- 4-channel constant current control module DMX, dimmable
- Nominal input voltage 200 – 240 VAC
- Output power 72 W
- Output current 4 x (250 – 1500) mA
- Output voltage 8 – 48 VDC
- Ambient temperature range Ta -25...+45°C
- Compatible with all formats of DMX512
- Compatible with DMX control panel
- Wire size 0.5 - 1.5 mm<sup>2</sup>
- Dimensions L244 mm x W64 mm x H32 mm
- Weight 442 g
- IP20



LED CONTROL MODULE DALI 100W 4CH

Code 1532348

- 4-channel constant voltage control module DALI DT6, dimmable
- Nominal input voltage 100 – 240 VAC
- Output power 100 W
- Output voltage 24 VDC
- Ambient temperature range Ta -20...+45°C
- Compatible with DALI control panel in DALI Master network.
- Wire size 0.5 - 1.5 mm<sup>2</sup>
- Dimensions L244 mm x W64 mm x H32 mm
- Weight 510 g
- IP20



LED CONTROL MODULE DMX 100W 4CH

Code 1532368

- 4-channel constant voltage control module DMX, dimmable
- Nominal input voltage 100 – 200 VAC, output power 80 W
- Nominal input voltage 201 – 277 VAC, output power 96 W
- Output voltage 24 VDC
- Ambient temperature range Ta -20...+45°C
- Compatible with all formats of DMX512.
- Compatible with DMX control panel
- Wire size 0.5 - 1.5 mm<sup>2</sup>
- Dimensions L244 mm x W64 mm x H32 mm
- Weight 514 g
- IP20



OTI BLE 80/220-240/24 1-4 CH

Code 1532137

LED driver to control white light and its colour temperature, incl. dim-to-warm. Also input and control of the LED modules of RGB and RGBW. Equipped with integrated CASAMBI light control system.

- Nominal input voltage 220...240 V
- Frequency 50...60 Hz
- Input voltage AC 198...264 V

- Constant voltage output 24V
- Maximum output power 80 W
- Galvanic isolation SELV
- Ambient temperature range Ta -20 ... +45°C
- Wire size 0.2 - 1.5 mm<sup>2</sup>
- Dimensions L346 mm x W32 mm x H22 mm
- Weight 191 g
- IP20





### RGBW DRIVER SET 200 MA VOLITARE

Code 1863014

- 4-channel, dimmable, with BLE power supply
- Partial load 1-5 LEDs
- Nominal input voltage 220-240 VAC
- 0.66 W - 3.3 W/Channel
- Output current 4 x 200 mA
- Maximum ambient temperature Ta + 35 °C
- IP67

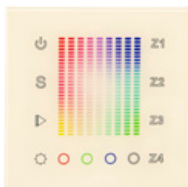


### RGBW CONTROL PANEL DALI

Code 1532366

DALI control panel for the light control of DALI control module.  
Requires DALI Master network.

- 95 - 240 V
- 4 zones, 10 modes
- Easy to use touch interface operation design
- Suitable for alternating current or constant voltage use
- Compatible with control modules 1532347 or 1532348 (page 62)
- Dimensions 86 x 86 mm
- Wireless



### RGBW CONTROL PANEL DMX

Code 1532369

DMX control panel for the light control of DMX control module.

- 95 - 240 V
- 4 zones, 10 modes
- Easy to use touch interface operation design
- Suitable for alternating current or constant voltage use
- Compatible with control modules 1532367 or 1532368 (page 62)
- Operation frequency: 434MHz /869.5MHz
- Dimensions 86 x 86 mm
- Wireless

Casambi is a lighting control system based on Bluetooth Low Energy technology (BLE). The system includes luminaires, voltage sources, control modules, dimmers, sensors, switches, adapters, etc.

## WIRELESS BLE LIGHT CONTROL UNIT

Code 1832112

Wireless control unit CBU-ASD for LED and halogen drivers with 0–10 V, 1–10 V or DALI dimming interface.

- Input voltage 220–240 VAC, 50 Hz, 0.6 A
- Mains output: 220–240 VAC, 50 Hz, solid-state relay (SSR) on phase line
- 0–10 V output: 0–10 VDC, 7 mA
- Dimensions L 56,5 mm x W 35,8 mm x H 22,3 mm
- Weight 48 g
- IP20



## BLE DIMMER 230 VAC

Code 1532804

LED dimmer LD220WCM with BLE technology.

- Input voltage 230 VAC
- Power 0–200 VA
- Dimensions L 48,5 mm x W 50 mm x H 15,5 mm
- Weight 28 g
- IP20



## BLE POWER RELAY MODULE 240 VAC

Code 1832120

The power relay module LIGA.AIR.REL.240 (on/off) is directly connected to 230VAC and its single relay output has the capability to control currents up to 10 A. Output is isolated from 230 VAC input. The compact-size case allows an easy installation in flush mounted boxes or in a cable channel.

- Dimensions L 35 mm x W 35 mm x H 26 mm
- Wire length 150 mm
- Weight 48 g
- IP64



## BLE DIMMER 230 VAC 50-150W

Code 1832119

BLE controllable trailing-edge dimmer CBU-TED-E for operation of incandescent lamps, dimmable LED lamps and dimmable LED controllers.

- Input voltage 85–240 VAC, 50–60 Hz, 0.65 A
- Output depending on load type: 50–150 W @ 230 VAC / 25–70 W @ 110 VAC
- Maximum input voltage 0,65 A
- Minimum load requirement 1W
- Maximum inrush current 4 A
- Dimensions L 40,4 mm x W 36,3 mm x H 14 mm
- Weight 16 g
- IP20
- Dimming: Trailing Edge (TE)



## 4-CHANNEL BLE PWM DIMMER

Code 1832123

A four channel PWM dimmer CBU-PWM4 for constant voltage LED loads, such as LED strips and constant voltage LED modules. It is connected between a 12–24 VDC power supply and the constant voltage LED load. The dimmer has four controllable channels making it an ideal product for RGBW and tunable white (TW) applications.

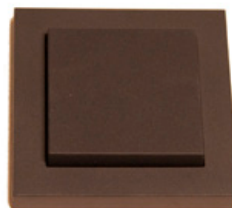
- Input voltage: 12–24 VDC
- Output voltage: same as input voltage 12–24 VDC
- Maximum input current 6 A
- Maximum output current 6 A (can be freely divided between the channels)
- Maximum output power 72 W @ 12 VDC / 144 W @ 24 VDC
- Minimum load requirement 0 W
- No-load standby power < 0,3 W
- Dimensions L 72.6 mm x W 30 mm x H 18 mm
- Weight 22 g
- IP20
- Dimming method: Pulse Width Modulation (PWM)



### SINGLE WALL SWITCH BLE, 2 CHANNELS —

Anthracite Code 1832002  
White Code 1832003

- Wireless
- No battery needed
- Dimensions L 70 mm x W 70 mm x H 16 mm
- Weight 82 g
- IP21



### DOUBLE WALL SWITCH BLE, 4 CHANNELS —

Anthracite Code 1832000  
White Code 1832001

- Wireless
- No battery needed
- Dimensions L 70 mm x W 70 mm x H 16 mm
- Weight 82 g
- IP21

### FRAME FOR WALL SWITCH BLE —

Anthracite Code 1532135  
White Code 1532195

- Dimensions L 80 mm x W 80 mm x H 9 mm
- Weight 15 g
- IP21

### WIRELESS XPRESS SWITCH BLE —

Black Code 1532800  
White Code 1532801

- Battery CR 2430 Lithium-ion
- Battery life 2-5 years, depending on usage
- A mounting bracket for wall mounting included
- Range up to 50 m in open air
- Dimensions L 90 mm x W 90 mm x H 12 mm
- Weight 88 g
- IP20



DOWNLOAD THE CASAMBI APPLICATION









*Cariitti*

---

Cariitti Oy  
Niittyrinne 2B, FI-02270 Espoo, Finland  
Tel. +358 9 221 9040, sales@cariitti.com  
www.cariitti.com