



Parts Manual

APT4 Vertical Mast

Serial Number Range

from SN APT4-L6-001 to APT4-L6-XXX

from SN APT4-L6P-001

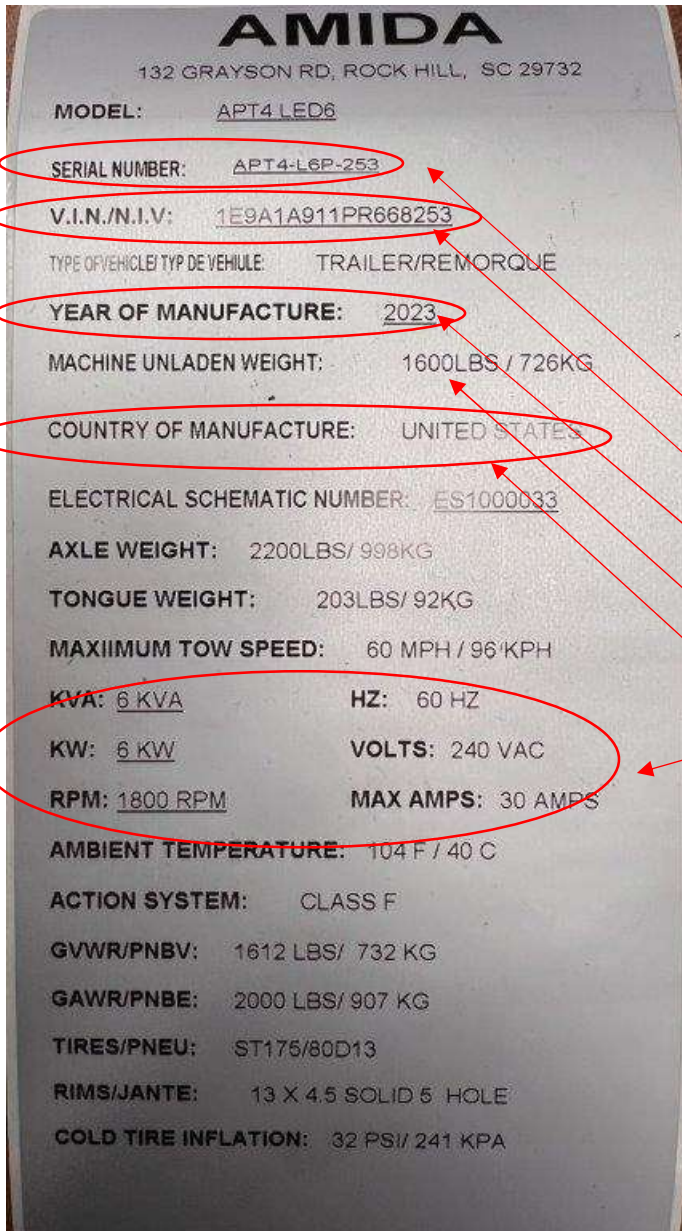
from SN APT4-MH-001

*Rev: A
JULY 2023*

Technical Publications

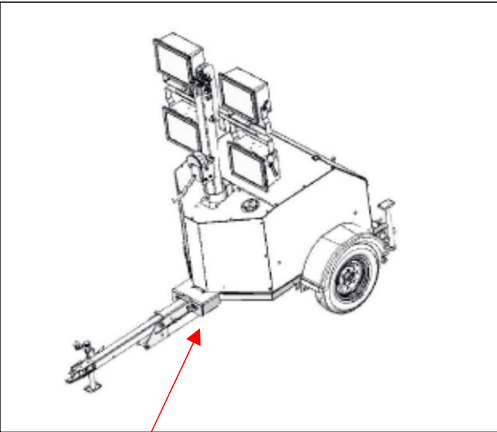
Contact Us:

<p>Amida has put this manual together with the utmost attempt to have accurate information relayed. We acknowledge that items will need to be changed as Amida embraces an environment of continuous improvement. Product specifications, part numbers or descriptions are subject to change without notice.</p>	<p>Internet: www.amidalighttower.com</p> <p>Email: techpub@amidalighttower.com</p>
<p>Any and all Amida customers are encouraged to communicate any inaccuracies found in this manual to Amida to be evaluated.</p>	<p>Find a Manual for this Model</p> <p>Go to www.amidalighttower.com</p> <p>Navigate to the support tab.</p>



Amida Light Tower Serial tag located on the road side of every unit. This tag illustrates the following information:

- Serial Number of units
- V.I.N Number
- Manufacture Year
- Weight of unit and tongue weight
- Country of Origin
- Electrical information pertaining to electrical system and generator.



Serial Number etched into chassis

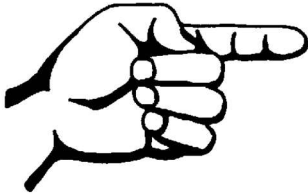
How to Order Parts:

It will be important to have some of the information from your machine when ordering parts. Please have serial number along with engine make/model as well as generator information. The distributor that sold you your machine is able to purchase parts along with end users. Please identify needed part information and email the following address.

Parts@amidalighttower.com

You may also call and speak with someone in our parts department at 1-803-328-1134.

Please refer to section 001 for the Recommended Spare Parts List.

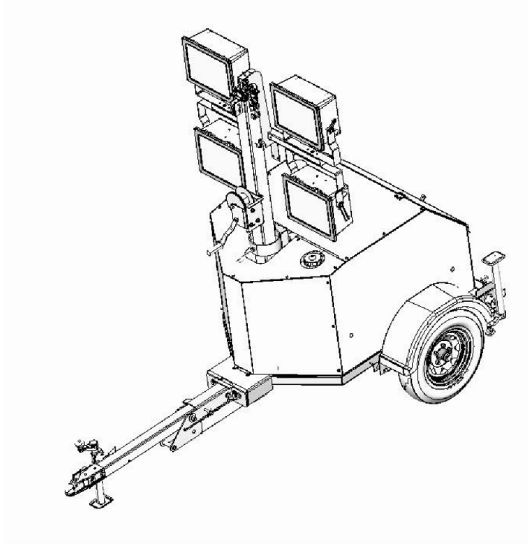
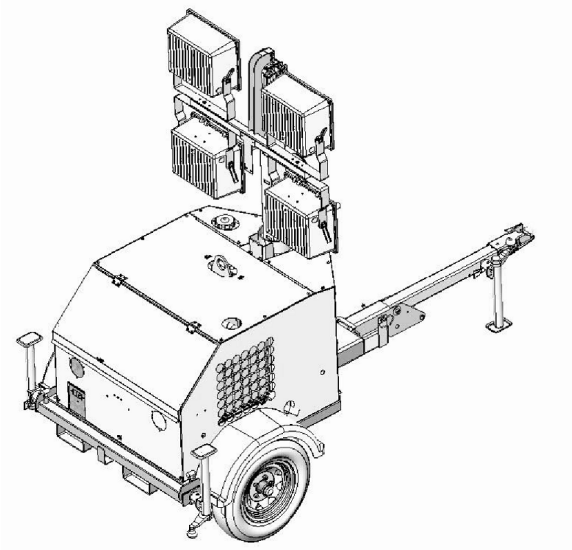


This page intentionally left blank.

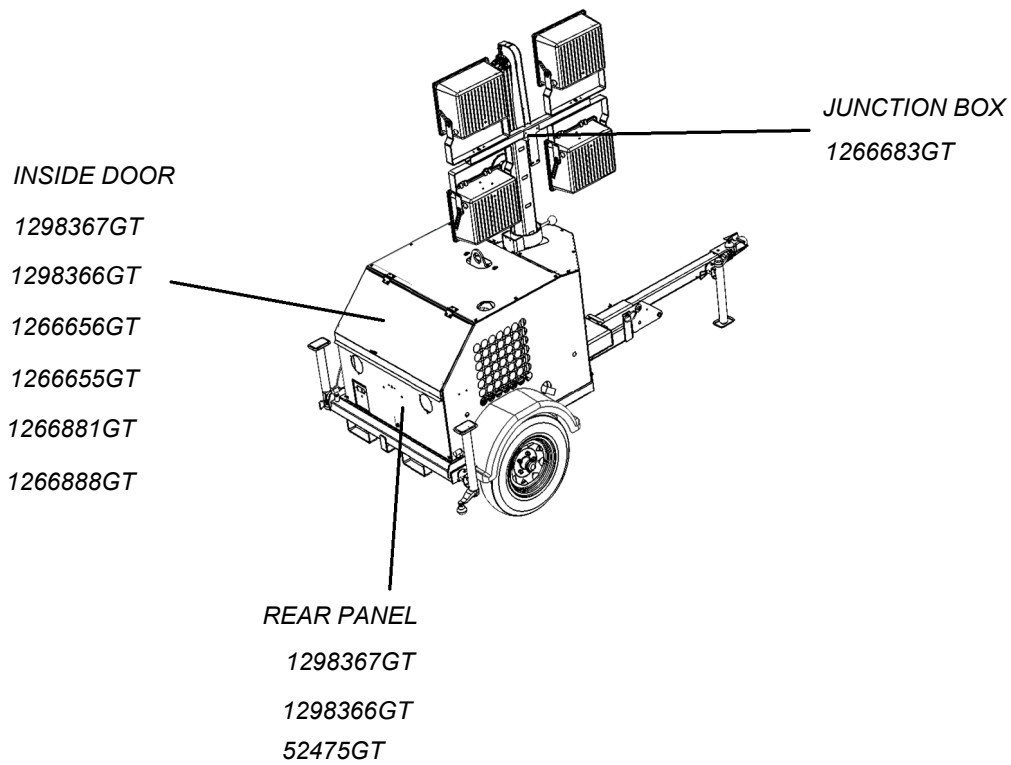
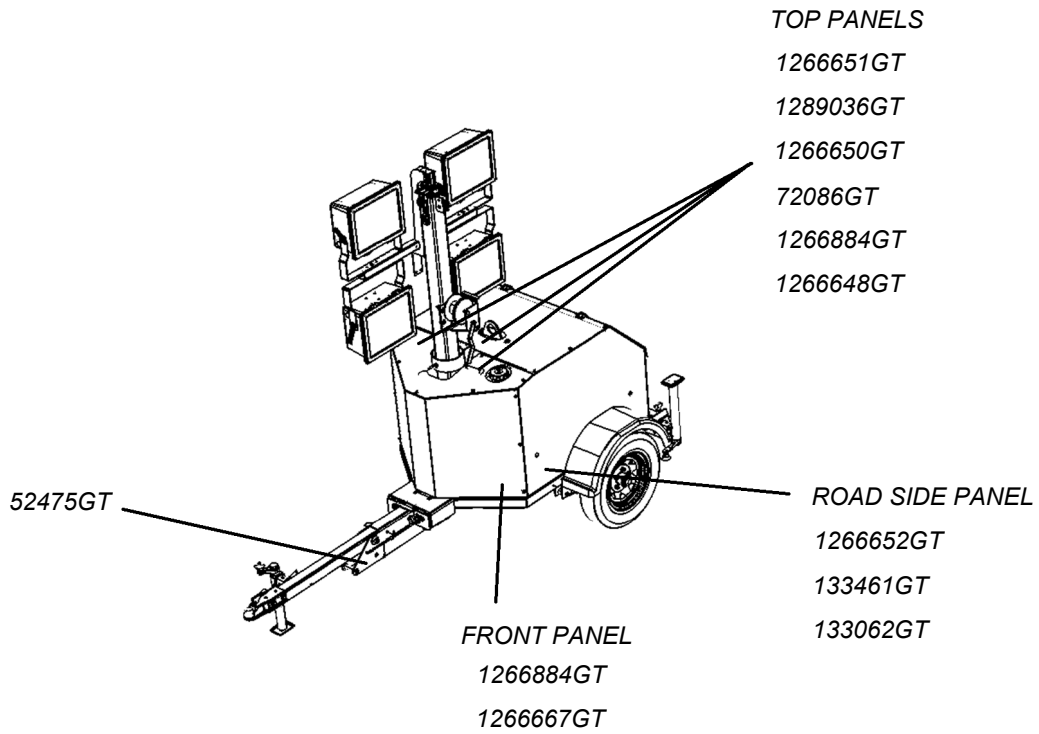
Description	Page
001 Parts Stocking List	9
001.1 Parts Stocking List	9
100 Decals	11
101.1 Decals with Words	11
102.1 Decals with Symbols	13
200 Chassis Components	15
201.1 Chassis Components	15
202.1 Fuel Tank and Hoses	21
203.1 Axle	23
204.1 Couplers	25
205.1 Cabinet	27
300 Engines and Generators	28
302.1 Kubota D1105-E4BG Engine	29
303.1 Generator, Marathon 201CSA5411 6 kW	34
400 Electrical Components	36
401.1 Control Box Assembly - FOR METAL HALIDE ONLY	36
401.2 Control Box Assembly - FOR LED6 ONLY	40
402.1 Electrical Wiring and Power Cables	42
500 Mast Components	44
501.2 Mast Assembly and Cable Routing	44
502.2 Tower Base and Mast Assembly, 4" Inch	46
503.2 Mast Assembly, 3" Inch	48
504.2 Mast Assembly, 2" Inch	50
505.2 Mast Assembly, 1.5" Inch	52
506.1 Light Assembly, Square	54
507.1 Light Assembly, LED	56

001 Parts Stocking List

001.1 Parts Stocking List




Item	Part No.	Description	Qty.
		— GENERAL SERVICE PARTS —	
		— MANUALS —	
		MANUAL, OPERATOR'S, APT4	
		— ENGINE, KUBOTA MODELS —	
299261GT		KIT, FILTERS, KUBOTA D1105.....	
	866127GT	ELEMENT, AIR CLEANER, KUBOTA	
	866050GT	FILTER, OIL, KUBOTA	
	839107GT	FILTER, FUEL, KUBOTA	
	740620GT	FILTER, IN-LINE, FUEL, 5/16"	
839209GT		V-BELT, KUBOTA	
839110GT		HOSE, RADIATOR, LOWER, KUBOTA	
839109GT		HOSE, RADIATOR, UPPER, KUBOTA	
32185GT		CLAMP, HOSE RADIATOR.....	
890795GT		HOSE, FUEL, 5/16"ID, SUPPLY [TOTAL LENGTH 7' - 5 CUT PIECES].....	
299252GT		HOSE, FUEL, 3/16"ID, RETURN [TOTAL LENGTH 4' - ONE PIECE]	
		— GENERATOR, MARATHON MODELS —	
1267424GT		CAPACITOR, 43 mF, 630 VOLT	
836853GT		DIODE, MARATHON	
836856GT		MARATHON SUPPRESSOR/VARISTOR	

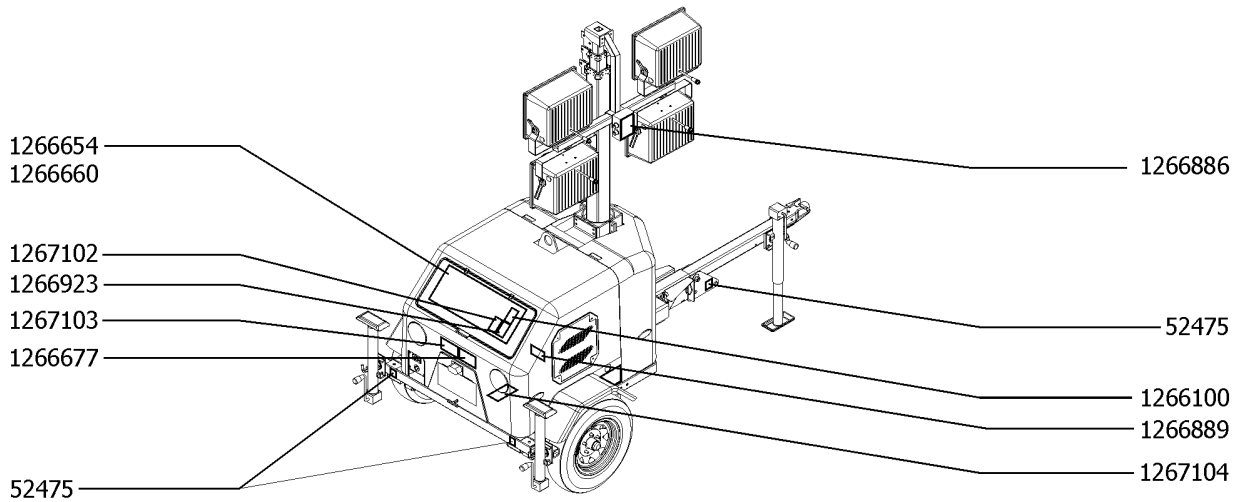
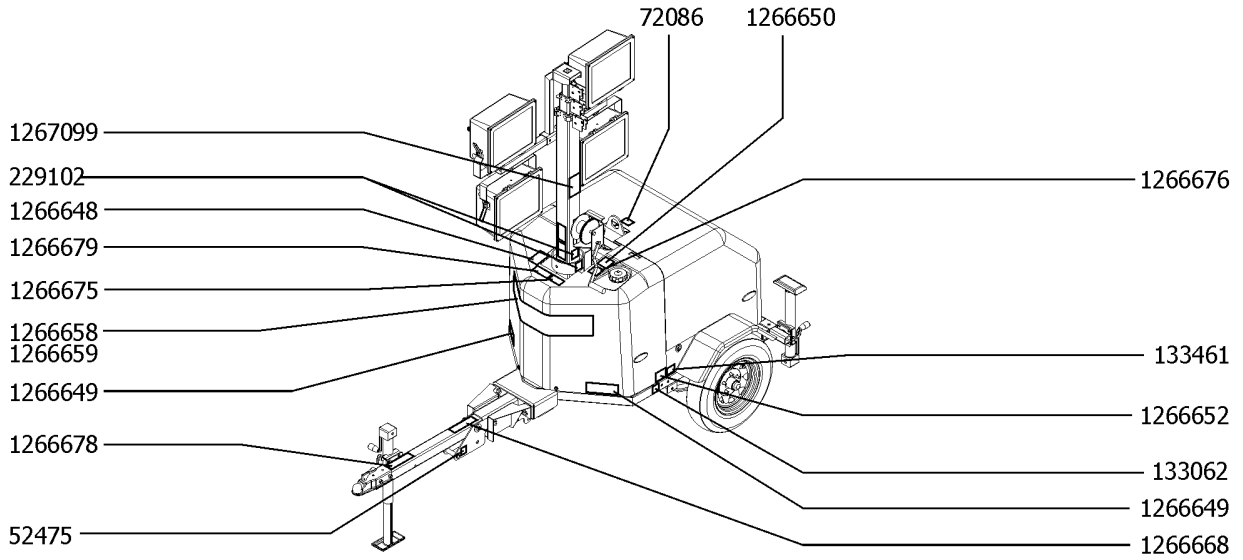


<i>Part No.</i>	<i>Description</i>	<i>Qty.</i>
97518GT	Decal, Instruction, Lamp Disposal	1
1266650GT	DECAL, DANGER, NO SMOKING	1
1266651GT	DECAL, LABEL, DIESEL	1
1266887GT	DECAL, DANGER, AUTO-START HAZARD	2
133461GT	DECAL, TIRE SPECIFICATION	2
1266652GT	DECAL, LABEL, TRANSPORT DIAGRAM	1
133062GT	Decal, Label, Ground	1
1266667GT	DECAL, INSTRUCTIONS, TONGUE DEPLOYMENT	1
1266883GT	DECAL, DANGER, ELECTROCUTION HAZARD	1
72086GT	DECAL, LABEL, LIFTING EYE	1
52475GT	DECAL, LABEL, TRANSPORT TIEDOWN*	4
1266881GT	DECAL, DANGER, INHALATION HAZARD	1
1266661GT	DECAL, WARNING, EXPLOSION HAZARD	1
1266888GT	DECAL, DANGER, EXPLOSION HAZARD, BATTERY	1
1266653GT	DECAL, DANGER, ELECTROCUTION HAZARD	1
1266657GT	DECAL, DANGER, ELECTROCUTION HAZARD	1
1266887GT	DECAL, DANGER, AUTO-START HAZARD	2
1266655GT	DECAL, WARNING, IMPROPER OPERATION	1
1266656GT	DECAL, OPERATING INSTRUCTIONS	1
1266884GT	DECAL, WARNING, TOW SPEED	1
1266648GT	DECAL, WARNING, TIP-OVER HAZARD, OUTRIGGERS	1
1266647GT	DECAL, DANGER, ELECTROCUTION HAZARD	1
1266885GT	DECAL, WARNING, EXPLOSION/BURN HAZARD	1

100 Decals

102.1 Decals with Symbols

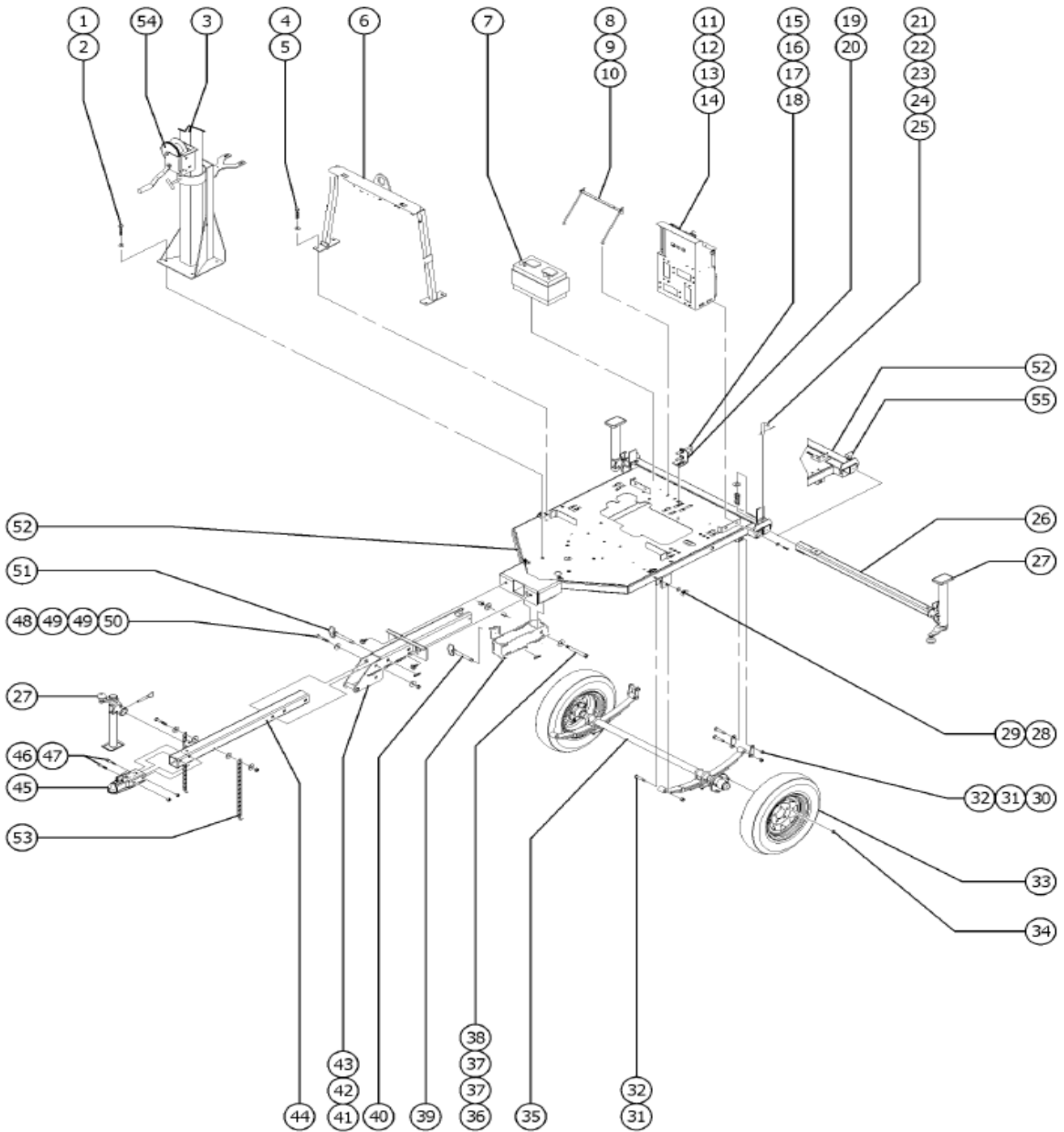
 Shaded decals are located underneath the cover.



Item	Part No.	Description	Qty.
1	52475GT	DECAL,LABEL,TRANSPORT TIEDOWN*	4
2	72086GT	DECAL,LABEL,LIFTING EYE	1
3	133062GT	Decal, Label, Ground	1
4	133461GT	DECAL,TIRE SPECIFICATION	2
5	229102GT	DECAL, LABEL, ARROW	2
6	1266649GT	DECAL, COSMETIC, TEREX LOGO, APT4	2
7	1266651GT	DECAL, LABEL, DIESEL	1
8	1266652GT	DECAL, LABEL, TRANSPORT DIAGRAM	1
9	1266654GT	DECAL, COSMETIC, TEREX LOGO, APT4, REAR DOOR	1
10	1266658GT	DECAL, COSMETIC, TEREX LOGO, FRONT FAIRING	1
11	1266659GT	DECAL, COSMETIC, GENIE LOGO, FRONT FAIRING	1
12	1266660GT	DECAL, COSMETIC, GENIE LOGO, APT4, REAR DOOR	1
13	1266668GT	DECAL, INSTRUCTIONS, TONGUE DEPLOYMENT	1
14	1266675GT	DECAL, WARNING, TIP-OVER HAZARD, OUTRIGGERS	1
15	1266676GT	DECAL, LABEL, EXPLOSION HAZARD	1
16	1266677GT	DECAL, WARNING, BURN HAZARD	1
17	1266678GT	DECAL, LABEL, TOW SPEED	1
18	1266679GT	DECAL, DANGER, ELECTROCUTION HAZARD	1
19	1266886GT	DECAL, LABEL, ELECTROCUTION HAZARD	1
20	1266889GT	DECAL, WARNING, EXPLOSION HAZARD	1
21	1266923GT	DECAL, LABEL, READ THE MANUAL	1
22	1267099GT	DECAL, WARNING, EXPLOSION/BURN HAZARD	1
23	1267102GT	DECAL, DANGER, INHALATION HAZARD	1
24	1267103GT	DECAL, DANGER, ELECTROCUTION HAZARD	1
25	1267104GT	DECAL, LABEL, BATTERY/CHARGER SAFETY	1

200 Chassis Components

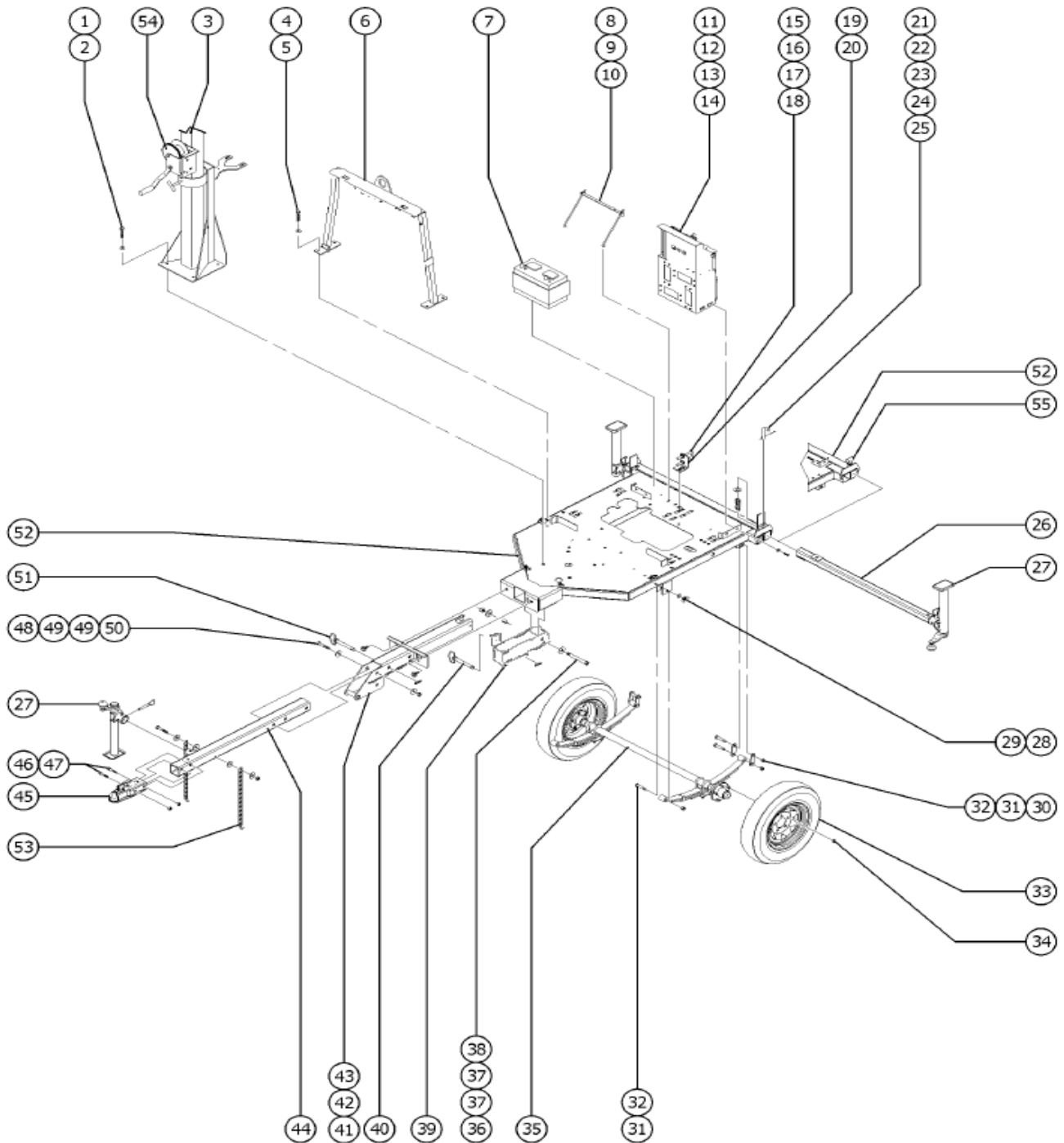
201.1 Chassis Components



Item	Part No.	Description	Qty.
1	1271645GT	SCREW,HHC,1/2-13X4.....	4
2	1255760GT	WASHER,FLAT,1/2	4
3	299303GT	KIT, REPLACEMENT, MAST, COMPLETE, APT4	1
4	1271645GT	SCREW,HHC,1/2-13X4	4
5	1255760GT	WASHER,FLAT,1/2	4
6	299209GT	WELDMENT, LIFT, APT4	1
7	112300GT	BATTERY	1
8	1265441GT	BRACKET, HOLD DOWN, BATTERY,	1
9	1267521GT	TANK, COOLANT OVERFLOW	1
10	45708GT	HOOK,BATT HOLD DOWN,10"	2
11		Controls refer to 400 controls section.....	1
12	1266600GT	BRACKET, CONTROL BOX, FLOAT,	2
13	1264101GT	SCREW,HHC,5/16-18X1	4
14	825358GT	WASHER,FLAT,5/16	4
15	299208GT	FORMING,REAR PANEL SUPPORT.....	1
19	1264101GT	SCREW,HHC,5/16-18X1	2
20	825358GT	WASHER,FLAT,5/16	2
21	790965GT	PIN,PLUNGER,OUTRIGGER, KIT kit part number 790965GT includes item numbers 22, 23, 24 and 25	1
22		RELEASE, OUTRIGGER	1
23		PIN, COTTER	1
24		WASHER	1
25		SPRING	1
26	1283911GT	WELDMENT,OR, REAR,APT4 W/PLATE	2

200 Chassis Components

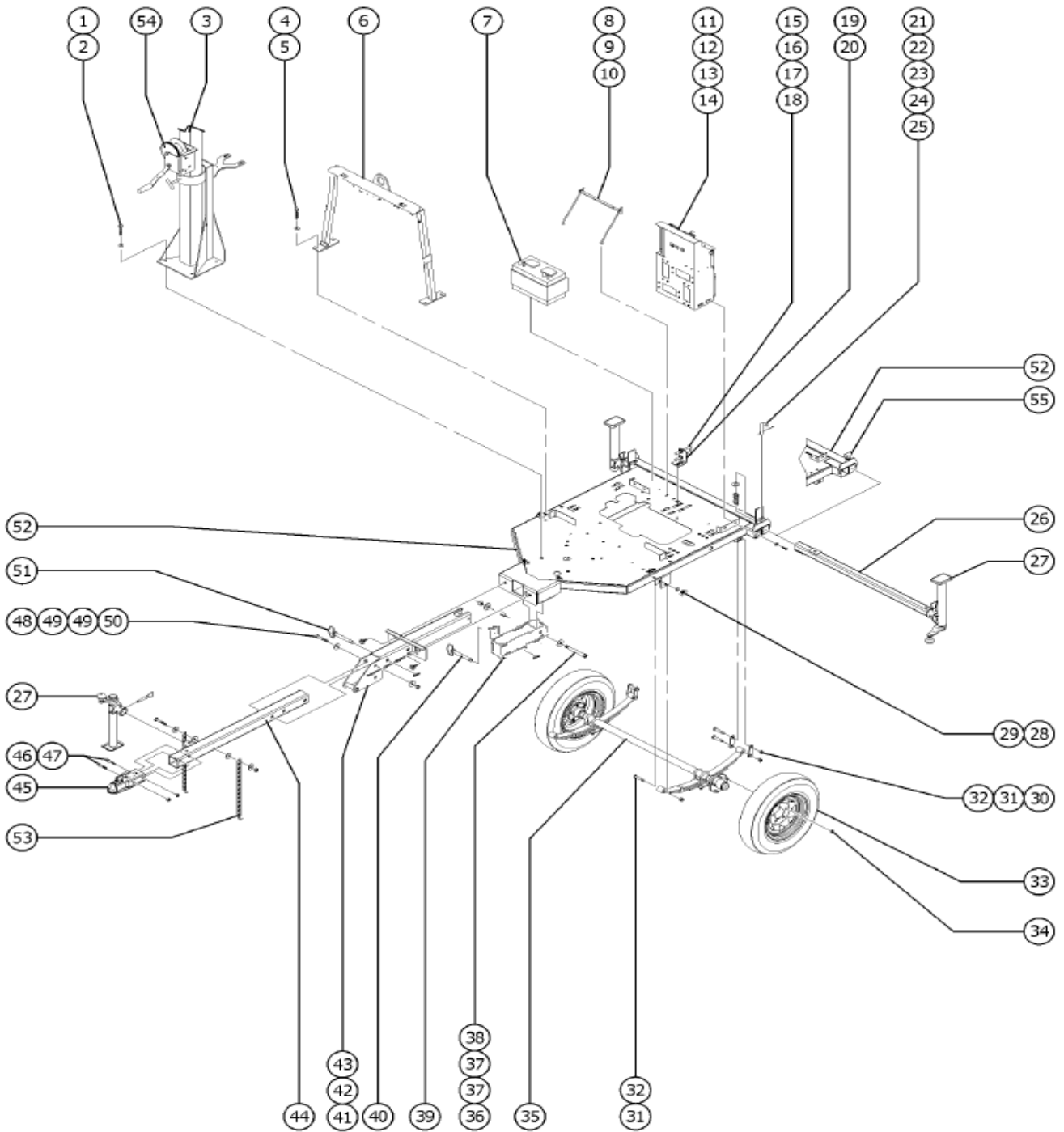
201.1 Chassis Components



Item	Part No.	Description	Qty.
27	1280323GT	JACK,EAGLE,PN CGEQ20-ASM, 1200 LBS	3
27	1283137GT	KIT,HANDLE,JACK,RL for 1280323 Jack Assembly	1
27	1283138GT	KIT,LOCK PIN,JACK,RL for 1280323 Jack Assembly	1
28	993245GT	NUT, WING	1
29	1271665GT	WASHER	1
30	1264517GT	PLATE, SHACKLE, AXLE, APT4	4
31	1264511GT	BOLT, SHACKLE, APT4	6
32	1264512GT	NUT, FLANGE, SHACKLE, APT4	6
33	116021GT	WHEEL/TIRE ASSY,13",175/80 LRB	2
34	840376GT	NUT,WHEEL, 1/2 X 20	10
35	1264508GT	ASSEMBLY, AXLE, APT4	1
36	1266197GT	BOLT, SHOULDER, DIA .75 X 6.0	1
37	1255761GT	WASHER,FLAT,3/4,USS,HRD,ZAG	2
38	1258049GT	NUT,TL,5/8-11,C,ZAG	1
39	299175GT	CHASSIS, KICKSTAND, WELDMENT, YELLOW.....	1
40	1267867GT	ASSEMBLY, PIN AND CLIP, 1/2" X 6-1/2"	1
41	1266256GT	WELDMENT, BRACKET, RECEIVER, D	1
42	1256844GT	SCREW,HHC,1/2-13X1.5.....	2
43	1255760GT	WASHER,FLAT,1/2	2
44	1261639GT	WELDMENT: DRAWBAR: APT4	1
45	57332GT	COUPLER,BALL,2" CLASS II [SEE 204.1 Couplers for other options]	1
46	995310GT	SCREW,HHC,1/2-13 X 4	2
47	990200GT	NUT,NYLOCK,1/2-13 GR2	2
48	1266144GT	BOLT, SHOULDER DIA .75 X 4.0 L	1

200 Chassis Components

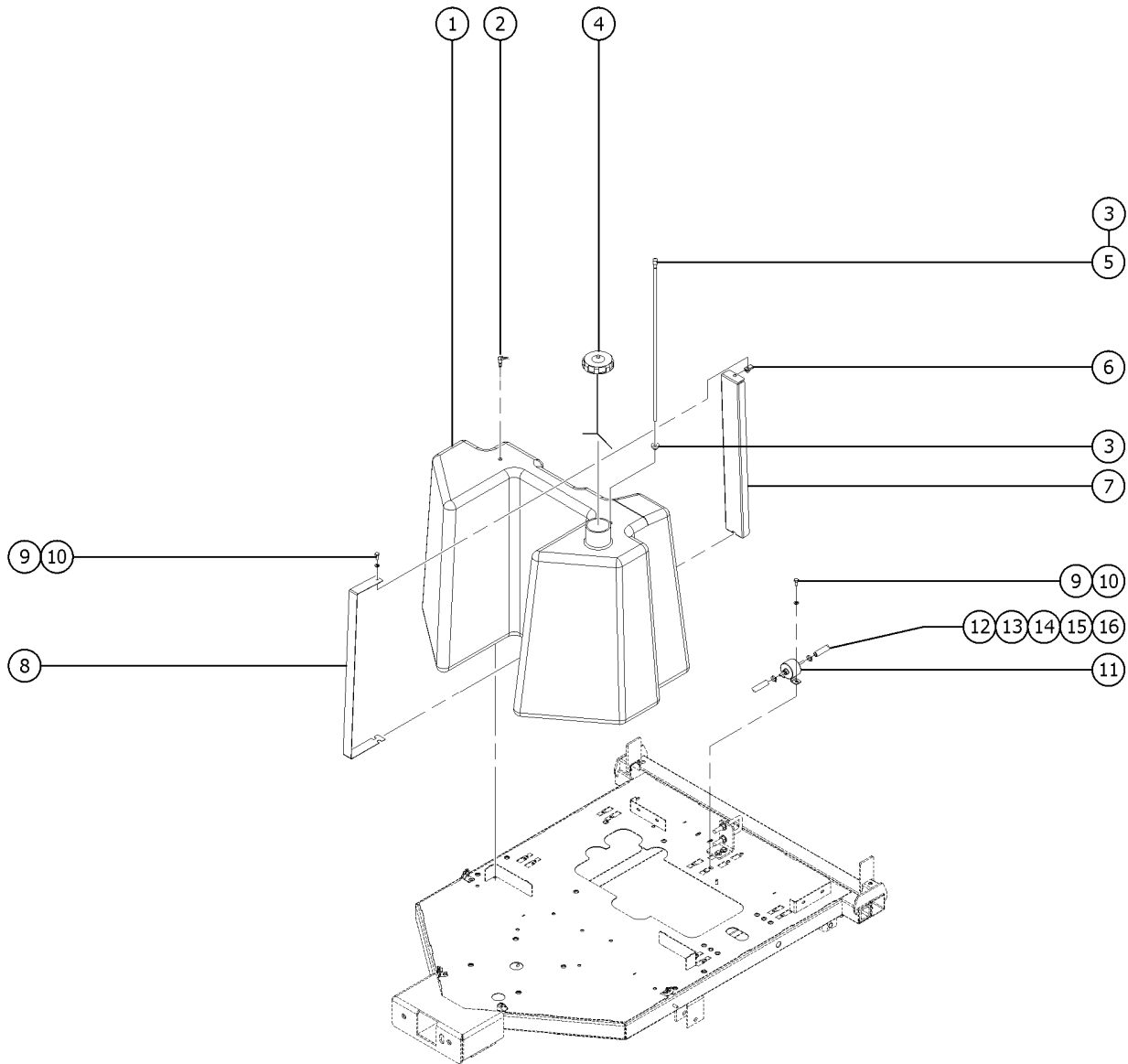
201.1 Chassis Components



Item	Part No.	Description	Qty.
49	1255761GT	WASHER,FLAT,3/4,USS,HRD	2
50	1258049GT	NUT,TL,5/8-11,C.....	1
51	1267868GT	ASSEMBLY, PIN AND CLIP, 3/4" X 4-3/4"	1
52	1278511GT	WELDMENT, CHASSIS, APT4	1
52B	1288151GT	ASSEMBLY, SKIN, FRONT	1
52B	1288152GT	ASSEMBLY, SKIN, REAR	1
52B	36456GT	SPRING CLIP,5/16-18,.025-.15X. for 1288151, 1288152	
53	162160GT	CHAIN, SAFETY, SNAP HOOK	2
53-	1297928GT	SCREW,HHF,3/8-16X4.5	1
53-	61975GT	RETAINER,SPRING,1.21 X .375	2
53-	1255758GT	WASHER,FLAT,3/8,USS	2
53-	1274322GT	NUT,NYLOCK FLG,3/8-16	1
54		Ref., WINCH refer to 508.1	
55	1284486GT	PIN, POP, 1.5IN BARREL	2

200 Chassis Components

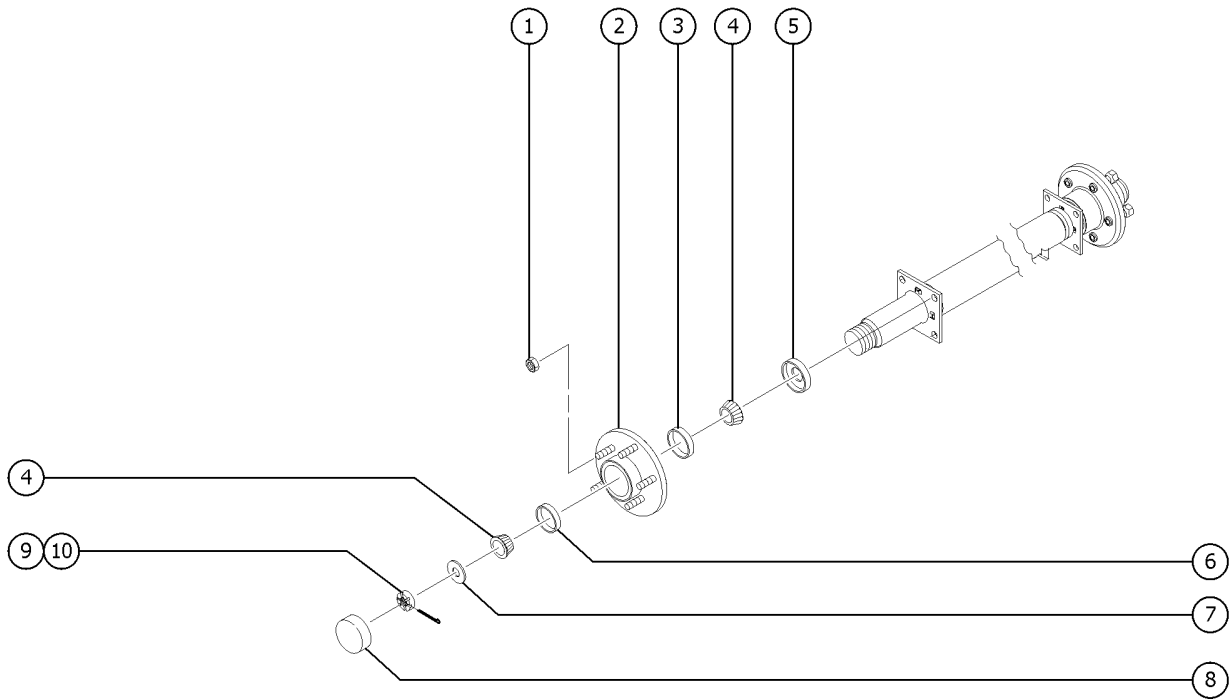
202.1 Fuel Tank and Hoses



Item	Part No.	Description	Qty.
1	1262263GT	TANK FUEL APT4 C SHAPE	1
2	299330GT	FITTING RETURN, 90, 3/16BARB, 1/8NPT.....	1
3	299285GT	FITTING, FUEL PICKUP, 3/8NPT - 5/16"	1
4	217717GT	CAP FUEL APT4/AL4 WITH TETHER	1
5	299284GT	TUBE, PICKUP, 3/8NPT	1
6	36456GT	SPRING CLIP, 5/16-18,.025-.15X.	1
7	1264814GT	FORMING FUEL TANK SUPPORT REAR	1
8	1264813GT	FORMING FUEL TANK SUPPORT FRON	1
9	1256464GT	SCREW,HHC,5/16-18X.75,8,ZAG	1
10	1255764GT	WASHER,LOCK,5/16,ZAG	1
11	660320GT	PUMP, FUEL,12VDC, KUBOTA	
11B	1278014GT	CONNECTOR, BULLET, MALE, .156	
11B	1278015GT	CONNECTOR, RING, 5/16	
13	890795GT	HOSE,FUEL,5/16"ID, SUPPLY [TOTAL LENGTH 7' - 5 CUT PIECES].....	
14	299252GT	HOSE,FUEL,3/16"ID, RETURN [TOTAL LENGTH 4' - ONE PIECE].....	
15	792750GT	CLAMP 7/16 TO 25/32	10
16	740620GT	FILTER,IN-LINE,FUEL,5/16"	1

200 Chassis Components

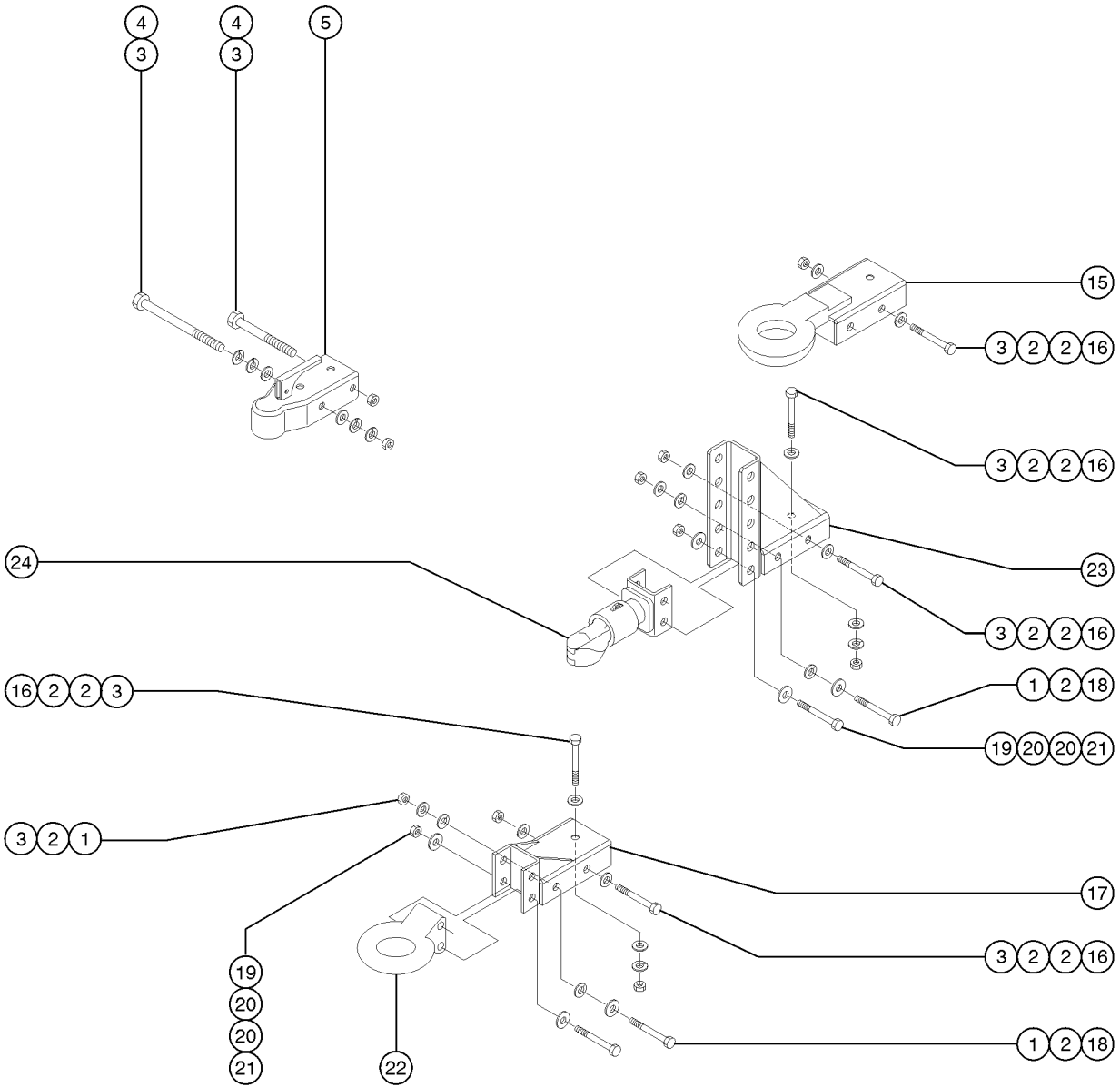
203.1 Axle



Item	Part No.	Description	Qty.
-	1264507GT	AXLE ASSY, STRAIGHT APT4	
1	840376GT	NUT,WHEEL, 1/2 X 20	10
2	236978GT	KIT,HUBS,BRINGS&SEALS,116949GT	1
3		RACE, INNER	1
4		BEARING,ALXL,840377,841050	2
5		GREASE SEAL	1
6		RACE, OUTER	1
7		WASHER,PLAIN,1"	1
8	834228GT	GREASE CAP, AXLE, 3000LB	1
9	834250GT	HAMMERBLOW SPINDLE NUT,AXLE	1
10	7604GT	PINCOTTER 0.125 1.750	1

200 Chassis Components

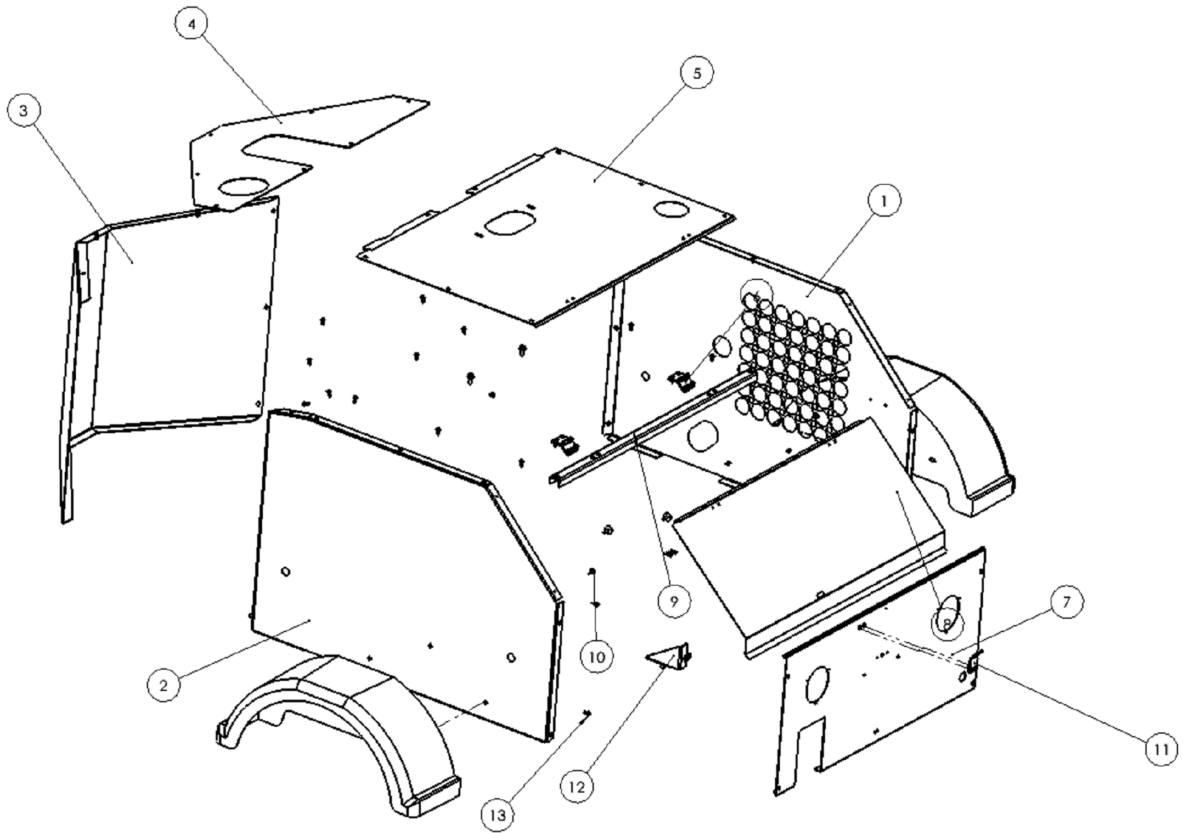
204.1 Couplers



<i>Item</i>	<i>Part No.</i>	<i>Description</i>	<i>Qty.</i>
1	991650GT	WASHER LOCK 1/2ZP	2
2	6095GT	WASHER,FLAT,USS,1/2",Y	
3	6198GT	NUT,NYLOCK,1/2-13	
4	995310GT	SCREW,HHC,1/2-13 X 4 G	2
5	57332GT	COUPLER,BALL,2" CLASS II	
REMOVED OBSOLETE PARTS			
15	213770GT	COUPLER,RING,BOLT-ON 2.5" ID	1
16	13854GT	SCREW,HHC,1/2-13 X 4.5,GRD.8	2
17	116936GT	AS-RING COUPLER MOUNT	1
18	6-5208-44GT	SCREW,HHC,1/2-13 X 5.5,GRD.8	1
19	123461GT	SCREW,HHC,5/8-11X4.50,GR8,Y	2
20	6035GT	WASHER,FLAT,USS,5/8",Y	4
21	6024GT	NUT,NYLOCK,5/8-11	1
22A	116937GT	COUPLER,2.5"RING,6 TON	1
22B	T110632GT	COUPLER,3"RING,6TON	1
23	218691GT	BRACKET ADJ HGT 6"	1
24A	67231GT	COUPLER 2-5/16" BALL BULLDOG T	1
24B	67230GT	COUPLER 2" BALL BULLDOG	1

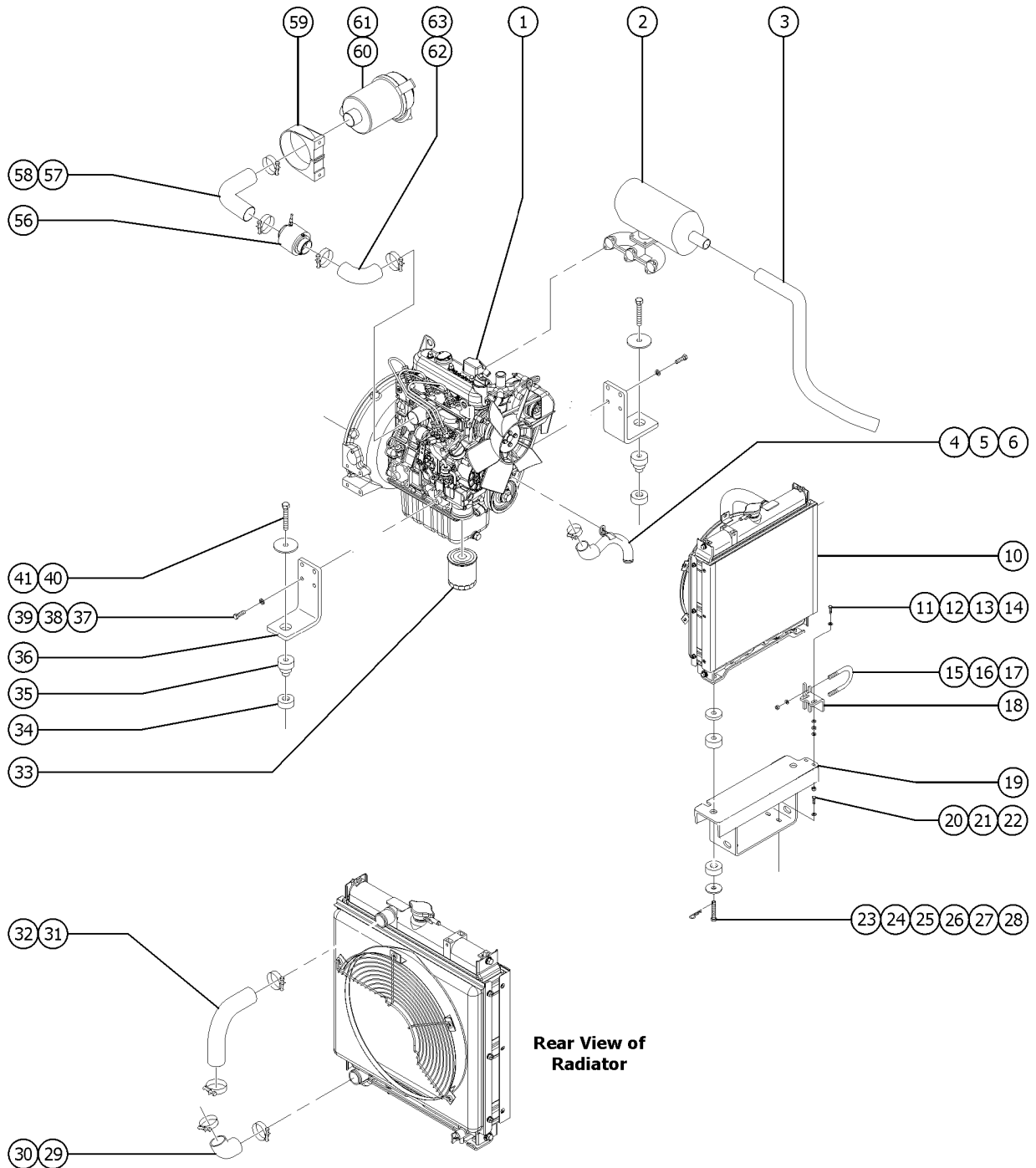
200 Chassis Components

205.1 Cabinet, Front Fairing



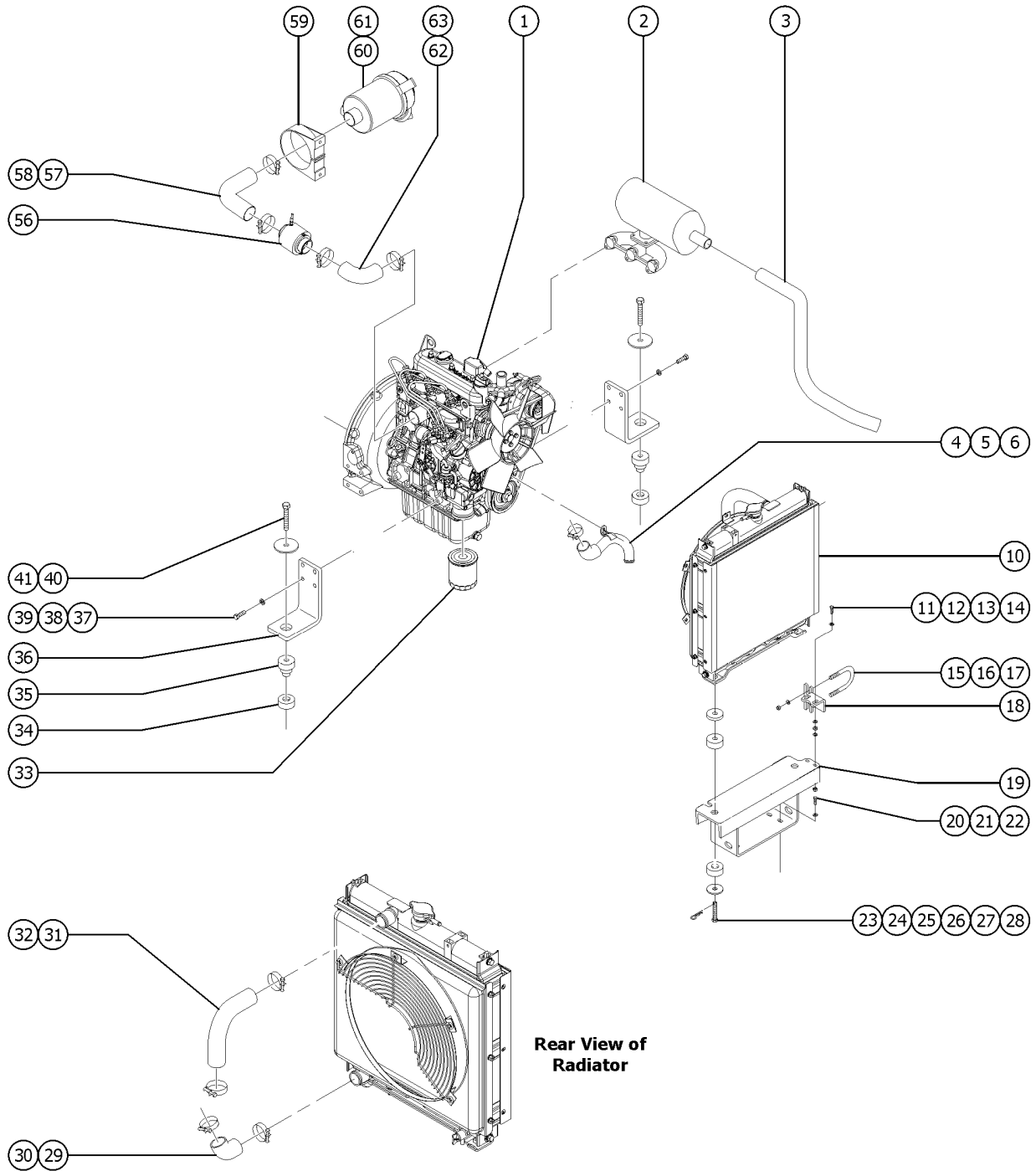
ITEM NO.	PART NUMBER	DESCRIPTION	QTY.
1	299201	COVER, RIGHT SIDE, APT4V PC-WHITE	1
2	299202	COVER, LEFTSIDE, APT4V PC-WHITE	1
3	299197	COVER, FRONT, FORMING APT4V PC-WHITE	1
4	299198	COVER, FRONT, TOP FORMING APT4V PC-WHITE	1
5	299199	COVER, TOP, FORMING APT4V PC-WHITE	1
6	299230-1	HINGE, DOOR, APT4	4
7	299205	COVER, REAR PANEL, APT4V PC-WHITE	1
8	299206	COVER, DOOR PANEL APT4V PC-WHITE	1
9	299207	COVER, SUPPORT, HINGE APT4V PC-WHITE	1
10	116927	BUMPER, DOOR, RUBBER	2
11	299218	HASP, CABINET DOOR APT4	1
12	299208	BRACKET, SIDE PLATE, APT4V	1
13	299221	SCREW, 1/4-20 X 5/8 SS 6 LOBE TRUSS HEAD	23
14	825358	WASHER,FLAT,5/16,USS,ZAG	4
15	1264101	SCREW,HHC,5/16-18X1,8,ZAG	4
16	299211	FENDER, PLASTIC, APT4	2
17	36456	SPRING CLIP,5/16-18,.025-.15X.83,ZAG	1
18	299237	SCREW, 1/4-20 x 1 TAPER SS	10
19	299235	WASHER, FENDER 1/4X1 SS	6
20	299234	SCREW, 1/4-20 x 1 SS BHSCS	6

PLEASE SPECIFY COVER COLOR WHEN ORDERING

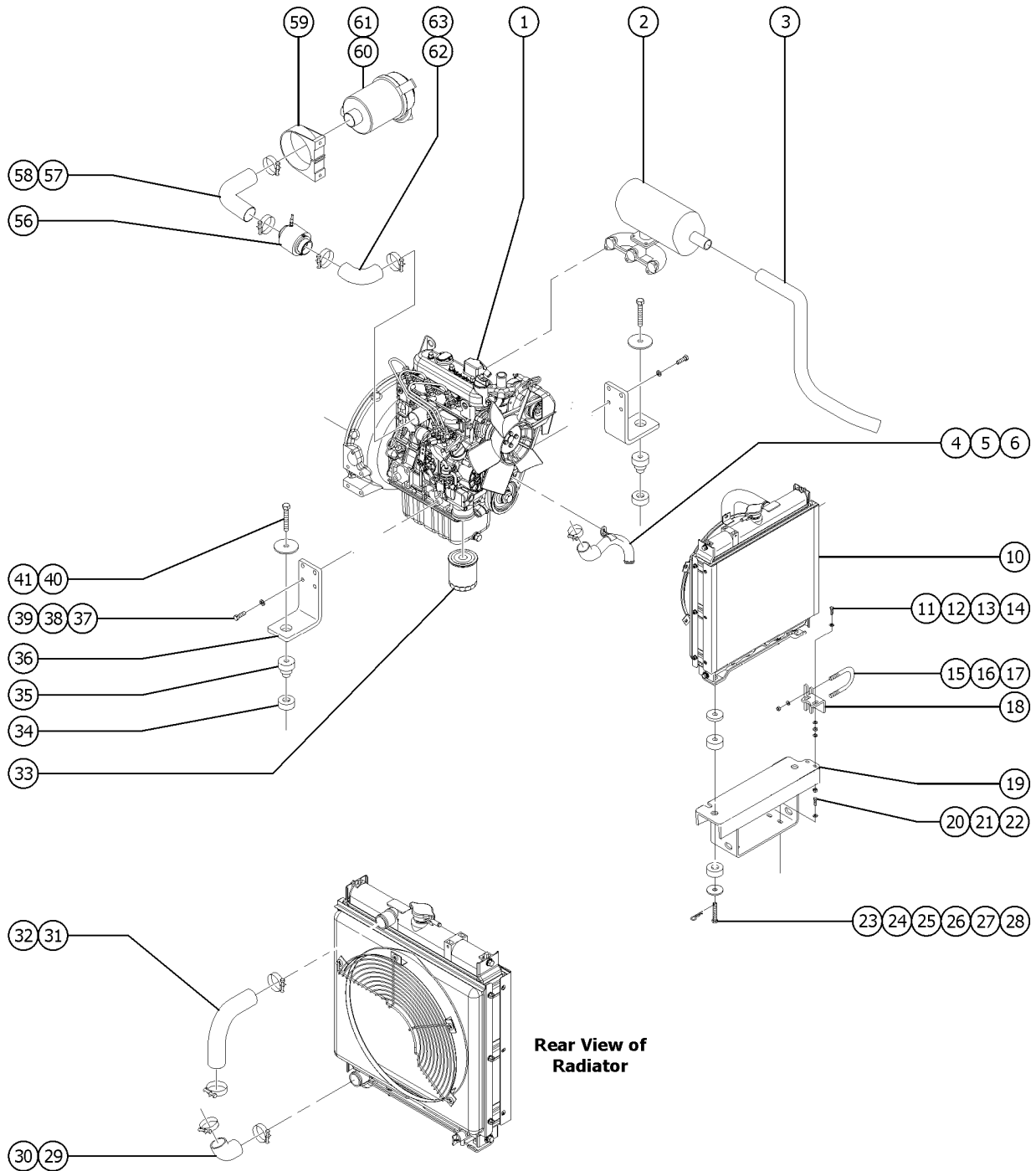


Rear View of Radiator

Item	Part No.	Description	Qty.
1	1268467GT	ENGINE,KUBOTA,D1105	1
2a	131378GT	MUFFLER ASSEMBLY	1
2b	32192GT	MANIFOLD,EXHAUST,KUBOTA D905	1
3	1265731GT	KUBOTA EXHAUST	1
4		RADIATOR HOSE, LOWER	1
5		CLAMP, HOSE	2
6		SCREW	1
7	1267566GT	PLATE, BOTTOM MOUNT, KUBOTA RA	1
8	22578GT	SCREW,HHC,M6 X 20MM,GR8.8	1
9	233375GT	WASHER,FLAT,M6 PLTD.FW	1
10	866110GT	RADIATOR, KUBOTA, D905 & D1105	1
11	8915GT	SCREW,HHC,1/4-20 X 1.25	2
12	75144GT	WASHER,FLAT,SAE 1/4",ZINC	2
13	1268985GT	WASHER, CUSHIONING	2
14	824024GT	NUT,TL,1/4-20,C,ZAG	2
15		UBOLT	1
16		WASHER	2
17		NUT	2
18	1267266GT	PLATER, EXHAUST, SIDE SUPPORT	1
19	1277903GT	WELDMENT,RADIATOR, KUBOTA	1
20	13002GT	SCREW,HHC,5/16-18 X 1 GR5	2
21	5397GT	WASHER,FLAT,USS,5/16",Y	2
22	36456GT	SPRING CLIP,5/16-18,.025-.15X.	2
23		SCREW	2
24		WASHER, SNUBBER	2
25	1268590GT	VIBRATION MOUNT used on 50Hz models only	2
26	740770GT	VIBRATION MOUNT,35" used on 60Hz models only	2
27	1268490GT	PLATE, SPACER, 50HZ used on 50Hz models only	2

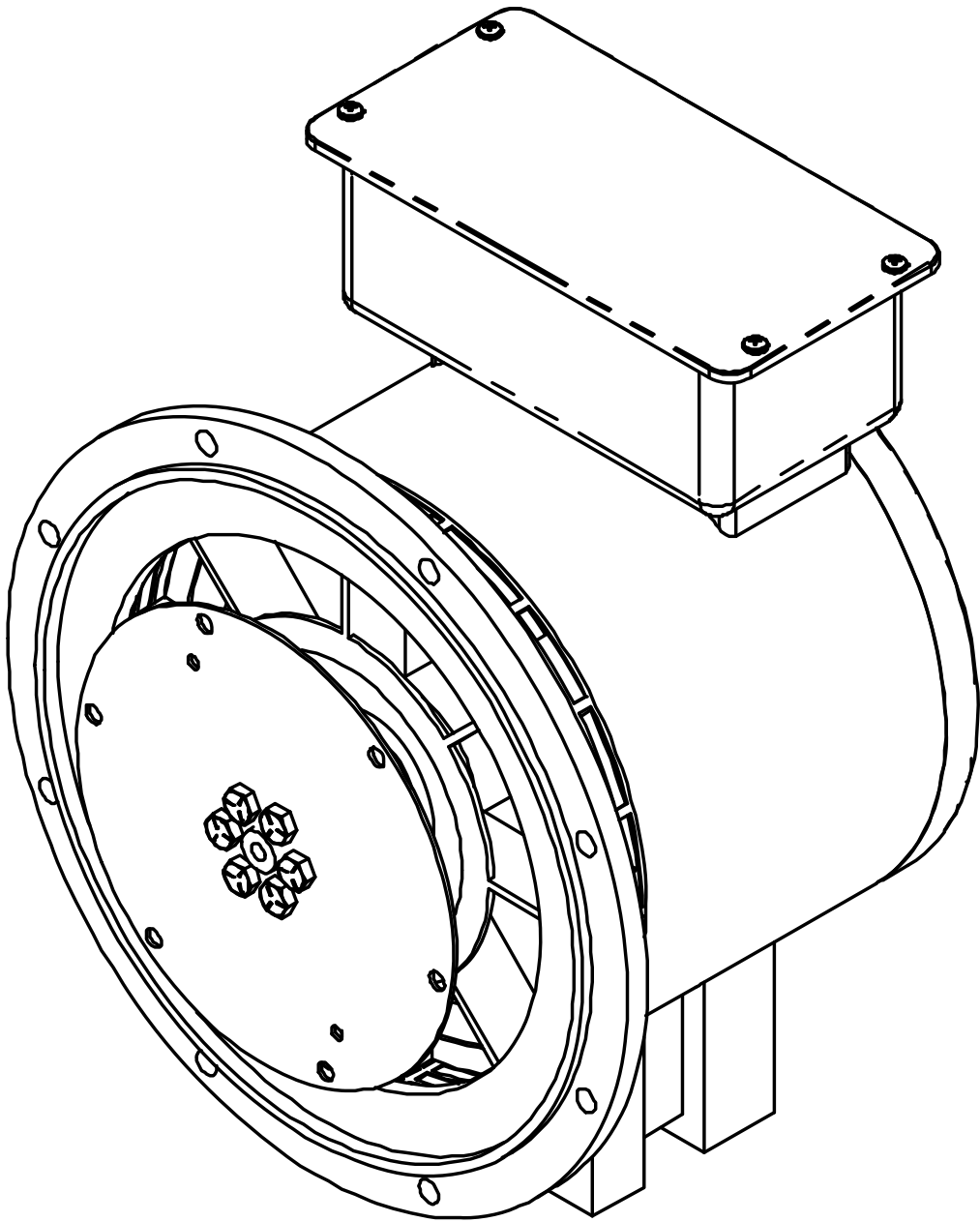


<i>Item</i>	<i>Part No.</i>	<i>Description</i>	<i>Qty.</i>
28		PIN, COTTER	2
29	839110GT	RADIATOR HOSE ELBOW, LOWER	1
30	32185GT	CLAMP, HOSE	2
31	839109GT	RADIATOR HOSE, UPPER	1
32	32185GT	CLAMP, HOSE	2
33	866050GT	FILTER,OIL,KUBOTA	1
34		ISOLATER, BOTTOM	2
35		ISOLATER, TOP	2
36	1261707GT	MOUNT, ENGINE, KUBOTA, APT4	2
38	824068GT	SCREW,HHC,3/8-16X1.25,8,ZAG	4
39	824110GT	WASHER, LOCK, 3/8, ZAG	4
40	990415GT	WASHER,FLAT,SNUB 1/2X2-3/4 ZN	2
41	990270GT	SCREW,HHC,1/2-13 X 3.5 GR8	2



Rear View of Radiator

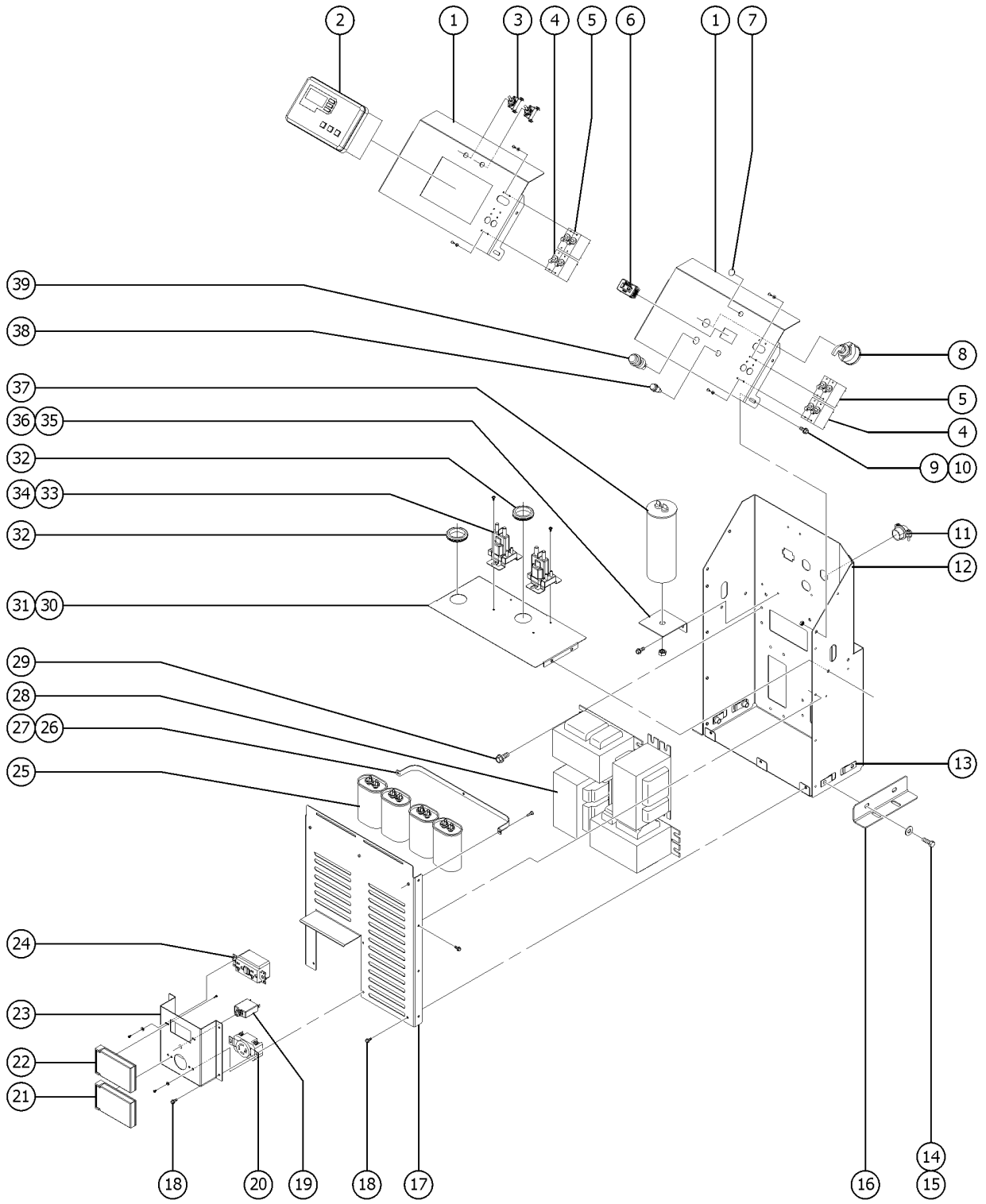
Item	Part No.	Description	Qty.
56	237860GT	CHALWYN SHUTDOWN W/CABLE,6/8KW	1
57	1262439GT	TUBE,INTAKE,CHALWYN,KUBOTA	1
58		CLAMP, HOSE	2
59	231333GT	AIR CLEANER BRACKET, D1105	1
		installed onto 1274236	
59B	1274236GT	BRACKET, AIR CLEANER	1
		installed onto engine	
60A	866126GT	BODY,AIR CLEANER,KUBOTA	1
60B	866128GT	COVER,AIR CLEANER,KUBOTA	1
60C	866129GT	VALVE,AIR CLEANER,KUBOTA	1
61	866127GT	ELEMENT,AIR CLEANER,KUBOTA	1
62	1262439GT	TUBE,INTAKE,CHALWYN,KUBOTA	1
63		CLAMP, HOSE	2
64-	839107GT	FILTER,FUEL,KUBOTA	1
65-	740620GT	FILTER,IN-LINE,FUEL,5/16"	1



<i>Item</i>	<i>Part No.</i>	<i>Description</i>	<i>Qty.</i>
A	85206GT	GENERATOR, 6KW,240VAC,60HZ [Marathon 201CSA5411].....	
B	58356GT	CAPACITOR-ROUND 25MF [for 201CSA5411].....	

400 Electrical Components

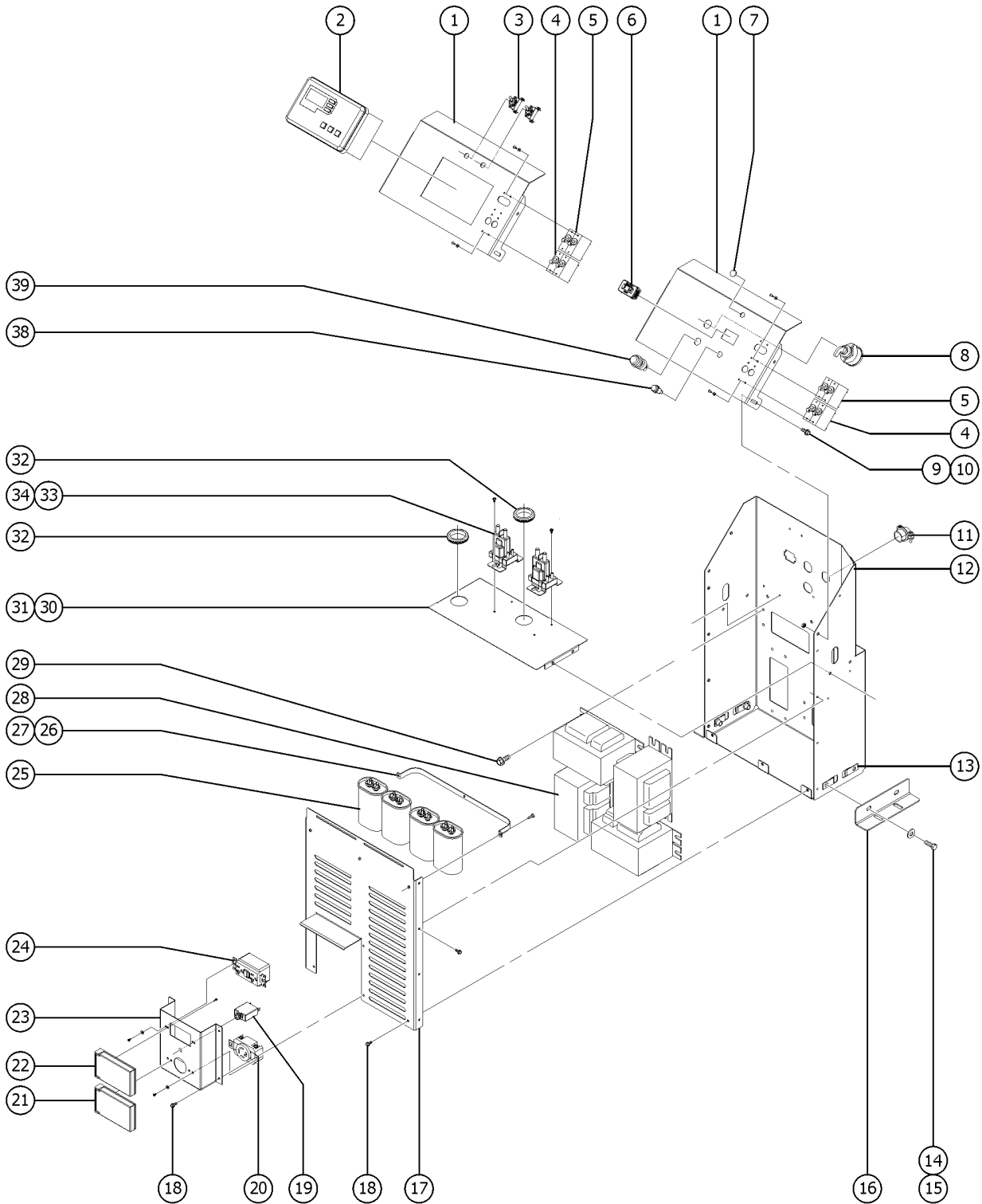
401.1 Control Box Assembly - FOR METAL HALIDE ONLY



<i>Item</i>	<i>Part No.</i>	<i>Description</i>	<i>Qty.</i>
A	1266672GT	ASM, CONTROLS APT4 60HZ W/TL 6KW	
B	1263883GT	ASM, CONTROLS APT4 60HZ WO/TL	
C	1266673GT	ASM, CONTROLS APT4 60HZ AUTOSTART	
D	1267118GT	ASM, CONTROLS APT4 60HZ W/TL 8KW	
E	1267119GT	ASM, CONTROLS APT4 60HZ AUTOSTART	
F	1266674GT	ASM, CONTROLS APT4 50HZ	
G	1267426GT	ASM, CONTROLS APT4 50HZ AUTOSTART	
1A	1264208GT	PANEL, FRONT CONTROL BOX, STANDARD	1
1B	1264207GT	PANEL, FRONT CONTROL BOX, AUTOSTART	1
2	1265991GT	CONTROL, AUTOSTART, DYNAGEN	1
3	1263483GT	SWITCH, TOGGLE, SPST	2
4	1267913GT	BREAKER, 25A 125VAC SPST	2
5	T113644GT	BREAKER,30A 250VAC 2P,CSA	2
6	T106193GT	HOURMETER,DIGITAL,RECTANGULAR	1
7	1265992GT	PLUG, CONTROL BOX 1/2"	1
8	684380GT	IGNITION SWITCH,LEVER OPR	1
9	824078GT	SCREW,HHF,1/4-20X.75,8,ZAG	2
10	824024GT	NUT,TL,1/4-20,C,ZAG	2
11	680030GT	CONNECTOR 2 SCREW 3/4	3
12	1263877GT	PANEL, REAR CONTROL BOX	1
13	36456GT	SPRING CLIP,5/16-18,.025-.15X.	4
14	1264101GT	SCREW,HHC,5/16-18X1,8,ZAG	4
15	825358GT	WASHER,FLAT,5/16,USS,ZAG	4
16	1266600GT	BRACKET, CONTROL BOX, FLOAT,	2
17	1263879GT	PANEL, TRANSFORMER COVER	1
18	1268228GT	SCREW, #10-24 X .500 T-FORMING	11
19	T113642GT	BREAKER,20A MINI,120VAC 1P,CSA	1
20	686160GT	RECEP 30A 120/240V 4 POLE	1

400 Electrical Components

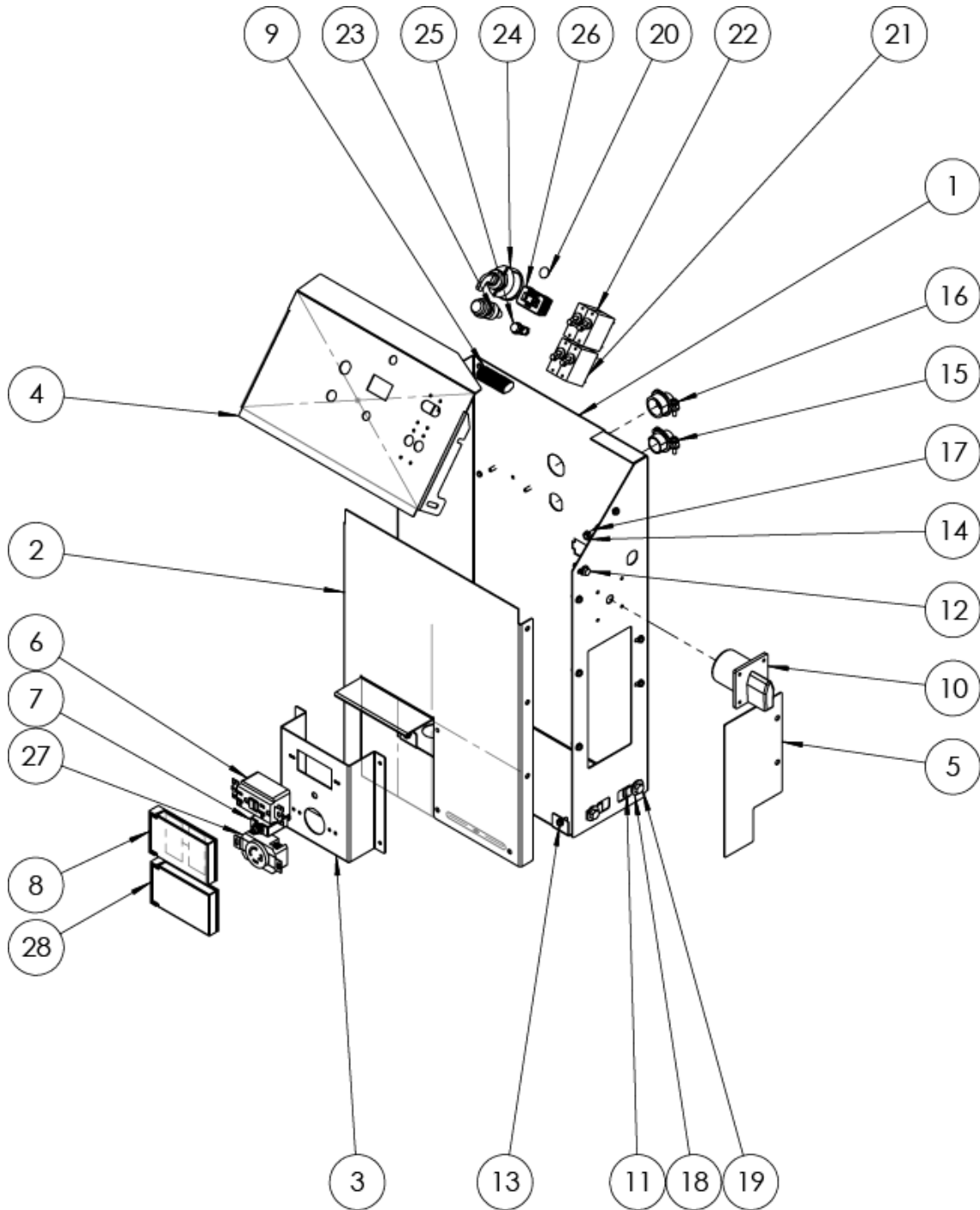
401.1 Control Box Assembly - FOR METAL HALIDE ONLY



<i>Item</i>	<i>Part No.</i>	<i>Description</i>	<i>Qty.</i>
21	1265993GT	COVER, WEATHERPROOF TWIST LOCK	1
22	1265994GT	COVER, WEATHERPROOF GFCI	1
23A	1263881GT	PANEL, FACEPLATE, GFCI/TWIST LOCK	1
23B	1266669GT	PANEL, FACEPLATE, GFCI	1
23C	1266670GT	PANEL, FACEPLATE, 50HZ TEST	1
24	684640GT	RECEPTACLE 20A 120V DUPLEX GFI	1
25A	160032GT	CAPACITOR 24uF MH 60H	4
25B	160033GT	CAPACITOR,50HZ MH,26MF(BALLAST	4
26	1266009GT	STRAP, CONTROL BOX, CAPACITOR	2
27		SCREW	2
28A	1255539GT	TRANSFORMER, MH, 60HZ 120V	4
28B	1255540GT	TRANSFORMER, MH, 50HZ 120V	4
29	1268227GT	SCREW, 1/4-20 X .5 HW TF, PATC	16
30	1263880GT	PANEL, HEAT SHIELD	1
31	824207GT	RIVET,STL,STL,DOME,1/4X.375,Z	4
32	1267117GT	GROMMET, 1.5 " DIA.	2
33	1263482GT	CONTACTOR 100A, SNGL 12VDC AUTOSTART	2
34	1268228GT	SCREW, #10-24 X .500 T-FORMING	4
35	1264209GT	BRACKET, CAPACITOR	1
36	1268228GT	SCREW, #10-24 X .500 T-FORMING	2
37A	1267424GT	CAPACITOR, 43 mF, 630 VOLT	1
37B	1267115GT	CAPACITOR, 48MF 480VAC	1
38	682715GT	LIGHT INDICATOR 12VRED	1
39	R660010GT	SWITCH PUSH-BUTTON W/BOOT	1

400 Electrical Components

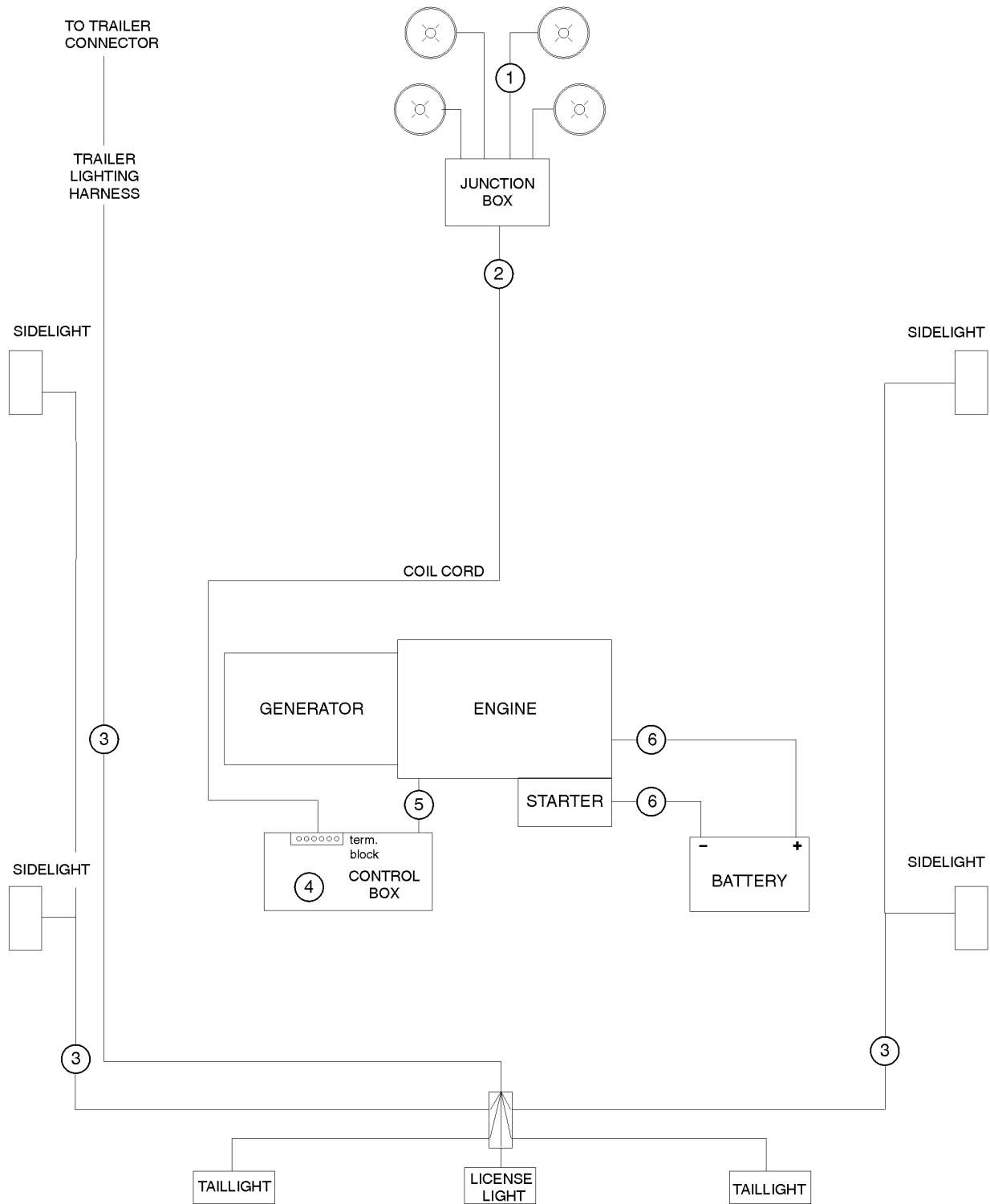
401.2 Control Box Assembly - FOR LED6 ONLY



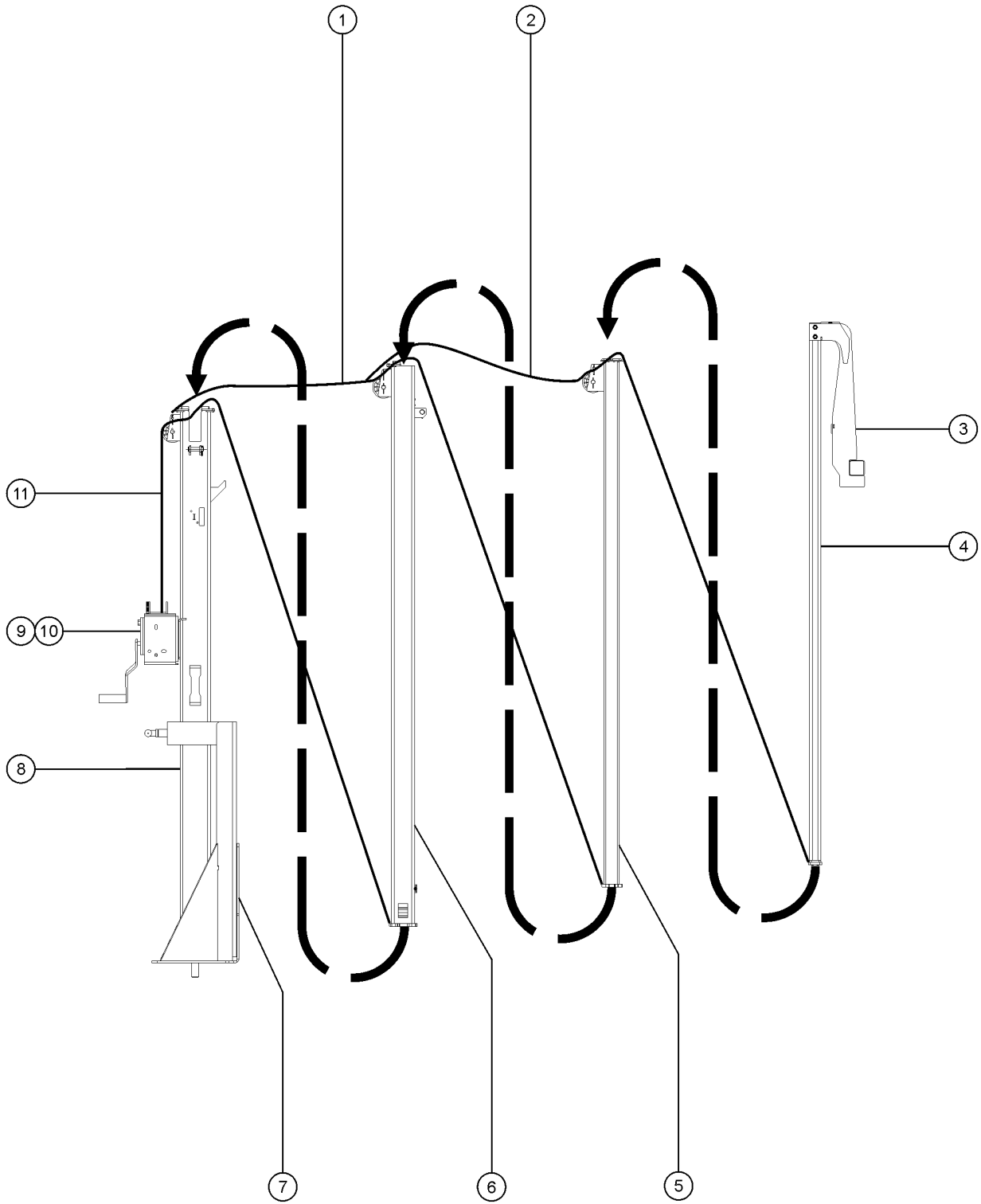
ITEM NO.	PART NUMBER	DESCRIPTION	QTY.
1	299272	FORMING, CONTROL BOX REAR, LED6	1
2	299222	PANEL, TRANSFORMER COVER, CONTROL BOX	1
3	1263881	PANEL, FACEPLATE, GFCI/TL	1
4	1264208	PANEL, FRONT, CONTROL BOX	1
5	299254	FORMING, CONTROLS SIDE LED6	1
6	684640	GFI DUPLEX	1
7	T113642	BREAKER,20A MINI,120VAC 1P,CSA	1
8	1265994	COVER, WEATHERPROOF, GFCI	1
9	1267258	CONN, 2 PORT, WAGO	4
10	299226	SWITCH,SHORE POWER 3T	1
11	36456	SPRING CLIP,5/16-18,.025-.15X.83,ZAG	4
12	824078	SCREW,HHF,1/4-20X.75,8,ZAG	2
13	1268228	SCREW, #10-24 X .500 T-FORMING	17
14	6889	NUT, LP NYLOCK, 1/4-20	4
15	680030	CONNECTOR, 2-SCREW, 3/4" T&B 3303	1
16	299233	CONNECTOR, 2-SCREW, 1"	1
17	6888	SCREW, HHC, 1/4-20 X 1.0	1
18	825358	WASHER,FLAT,5/16,USS,ZAG	2
19	1264101	SCREW,HHC,5/16-18X1,8,ZAG	2
20	1265992	PLUG, CONTROL BOX, 1/2"	1
21	T113641	BREAKER, 15A-277V, 1-POLE	2
22	T113644	BREAKER, 30A-240V, 2-POLE	1
23	R660010	SWITCH PUSH-BUTTON	1
24	684380	SWITCH IGNITION LEVER	1
25	682715	INDICATOR	1
26	T106193	HOURMETER, DIGITAL, RECTANGULAR	1
27	686160	30A TWISTLOCK RECEPTACLE 4-POLE	1
28	1265993	COVER, WEATHERPROOF TWIST LOCK	1

400 Electrical Components

402.1 Electrical Wiring and Power Cables



Item	Part No.	Description	Qty.
1		Ref., LAMP PIGTAIL	
2A	1266140GT	COIL CORD,HARDWIRE 18/5-14	1
2A	1302936GT	Straight Cordgrip, .230" to .546", 1/2" Thread Size, Black	5
2B	T109014GT	JUNC.BOX,4MH/HPS	1
2C	C48300108GT	BOX,JUNC,LIGHT TWR,4 CONN (Box only)	1
2C-	1302936GT	Straight Cordgrip, .230" to .546", 1/2" Thread Size, Black	1
2C-	680080GT	GRIP,HUBBLE 07401010	1
2C-	680190GT	COVER,JUNC BOX W/GSKT, 2 GANG	1
2C-	994380GT	SCREW,RH,6-32 X 5/8	4
2C-	663870GT	CONNECTOR 3P FEMALE RECEPTACLE	4
2D	1267257GT	CONN,5 PORT, WAGO	
2D	1267258GT	CONN,2 PORT, WAGO	
3A	299225GT	APT4 RUNNING LIGHTS HARNESS [main and side marker light harnesses].....	1
3B	1266965GT	LIGHT, BRAKE/TAI.....	2
3B	1266971GT	LIGHT, TAG.....	1
3B	1266968GT	LIGHT, LED, SIDE MARKER YELLOW [FRONT].....	2
3B	1264114GT	REFLECTOR, SIDE MARKER YELLOW.....	2
3B	1266967GT	LIGHT, LED, SIDE MARKER RED [REAR].....	2
3B	1264113GT	REFLECTOR, SIDE MARKER RED	2
4	1268146GT	WIRE HARN,DC,IN CTRL BOX	1
5	116820GT	WIRE HARN,ENG,KUBOTA,DC,2006	1
6B	1270138GT	CABLE SET,BATTERY,49" RED&BLK, KUBOTA	1

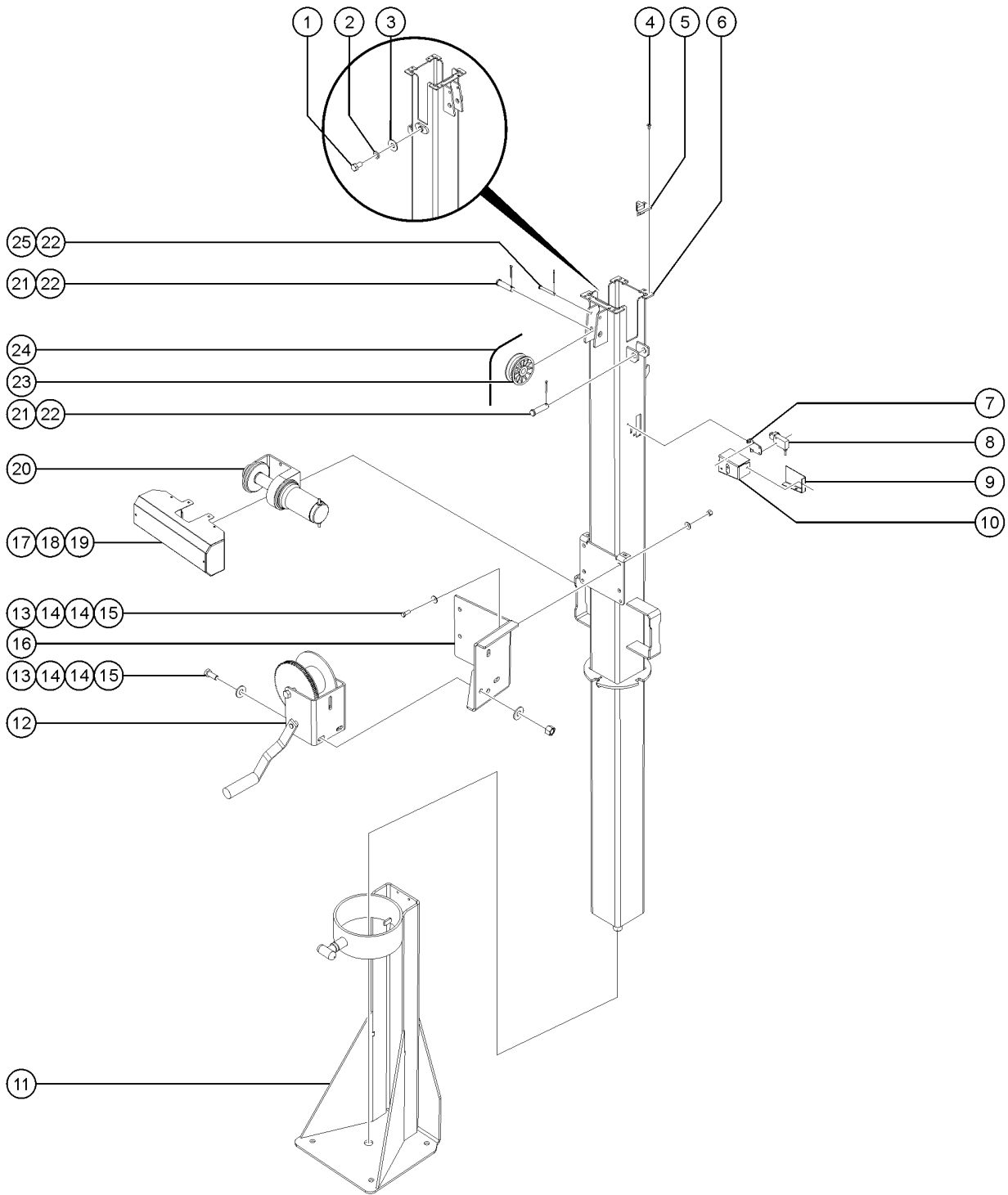


501.2 Mast Assembly and Cable Routing (from SN RL4J-12001, including 10812 -10814 and 11378 – 11380)

Item	Part No.	Description	Qty.
1		CABLE KIT, APT4 MAST 3" INCH	1
1-	1266136GT	CABLE 3/16",APT4 SECTION2	1
1-	T108880GT	THIMBLE WIRE ROPE-3/16	1
1-	791910GT	SLEEVE,OVAL,3/16",ALUMINUM	1
2		CABLE KIT, APT4 MAST 2" INCH	1
2-	1266137GT	CABLE 1/8",APT4 SECTION3	1
2-	1266138GT	THIMBLE,WIRE ROPE 1/8"	1
2-	1266139GT	SLEEVE, OVAL 1/8"ING	1
3	1292776GT	ASSEMBLY, LIGHTBAR, APT4	1
4	1292775GT	ASSEMBLY, MAST, 1.5IN, APT4	1
5	1292774GT	ASSEMBLY, MAST, 2IN, APT4	1
6	1292773GT	ASSEMBLY, MAST, 3IN, APT4	1
7	1292071GT	WELDMENT, BASE MAST, APT4	1
8	1292757GT	ASSEMBLY, MAST, 4IN, APT4	1
9	C61100200GT	WINCH,HAND,5.1:1,1500LBS	1
10		Winch, Electric Currently not available	1
11		CABLE KIT, APT4 MAST 4" INCH	1
11-	1266135GT	CABLE 3/16",APT4 SECTION1	1
11-	T108880GT	THIMBLE WIRE ROPE-3/16	1
11-	791910GT	SLEEVE,OVAL,3/16",ALUMINUM	1

500 Mast Components

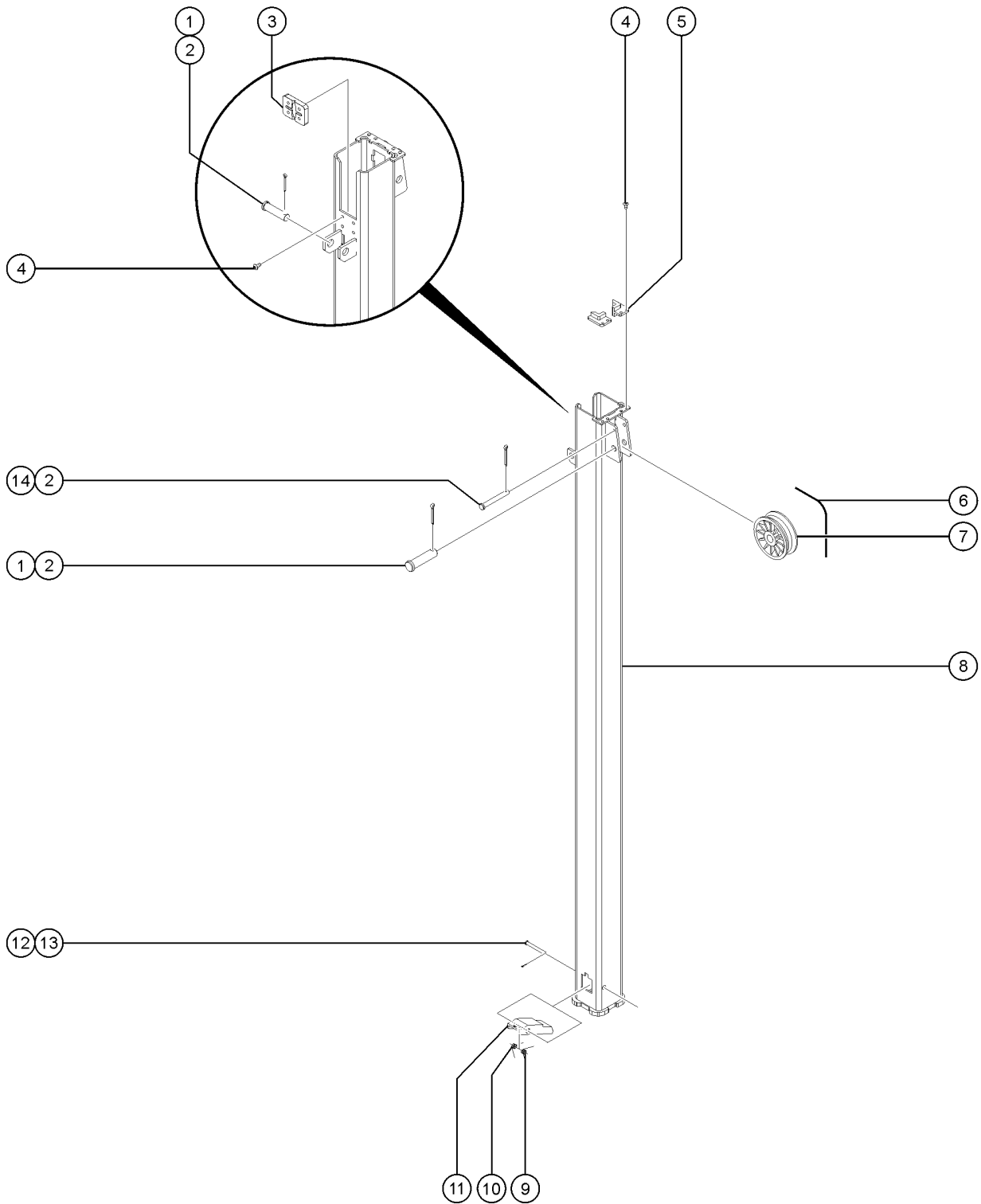
502.2 Tower Base and Mast Assembly, 4" Inch



Item	Part No.	Description	Qty.
1	1257453GT	SCREW,HHC,1/2-13X.875,8,ZAG	1
2	824111GT	WASHER,LOCK,1/2,ZAG	1
3	1255760GT	WASHER,FLAT,1/2,USS,ZAG	1
4	1260021GT	RIVET,STL,STL,DOME,3/16X.375,Z	8
5	1292183GT	WEARPAD, MAST, APT4	4
6	1292067GT	WELDMENT, 4IN MAST, APT4	1
7	1269528GT	FORMING, SWITCH BRACKET [electric winch switch].....	1
8	1270105GT	SWITCH,LIMIT,W/ROLLER ARM AT 5 [electric winch switch].....	1
9	1269527GT	FORMING, SWITCH COVER2 [electric winch switch].....	1
10	1269526GT	FORMING, SWITCH COVER1 [electric winch switch].....	1
11	1292071GT	WELDMENT, BASE MAST, APT4	1
12	C61100200GT	WINCH,HAND,5.1:1,1500LBS	1
13	824067GT	SCREW,HHC,3/8-16X1,8,ZAG	7
14	1255758GT	WASHER,FLAT,3/8,USS,ZAG	14
15	824025GT	NUT,TL,3/8-16,C,ZAG	7
16	1264360GT	FORMING, MAN. WINCH MOUNT	1
17	1265843GT	FORMING, WINCH COVER, BOTTOM	1
18	1265841GT	FORMING, WINCH COVER, SIDE	1
19	1265842GT	FORMING, WINCH COVER, TOP	1
20		Winch, Electric [CALL FOR PARTS AVAILABILITY]	1
21	992765GT	CLEVIS PIN 1/2 X 2 STAINLESS S	2
22	990650GT	COTTER PIN 1/8X1 SSBIN STOCK	3
23	188770GT	SHEAVE 2-13/16 X11/4	1
24		Cable Kit, PL4 MAST 4"	1
24-	1266135GT	CABLE 3/16",APT4 SECTION1	1
24-	T108880GT	THIMBLE WIRE ROPE-3/16	1
24-	791910GT	SLEEVE,OVAL,3/16",ALUMINUM	1
25	995790GT	CLEVIS PIN STAINLESSS	1

500 Mast Components

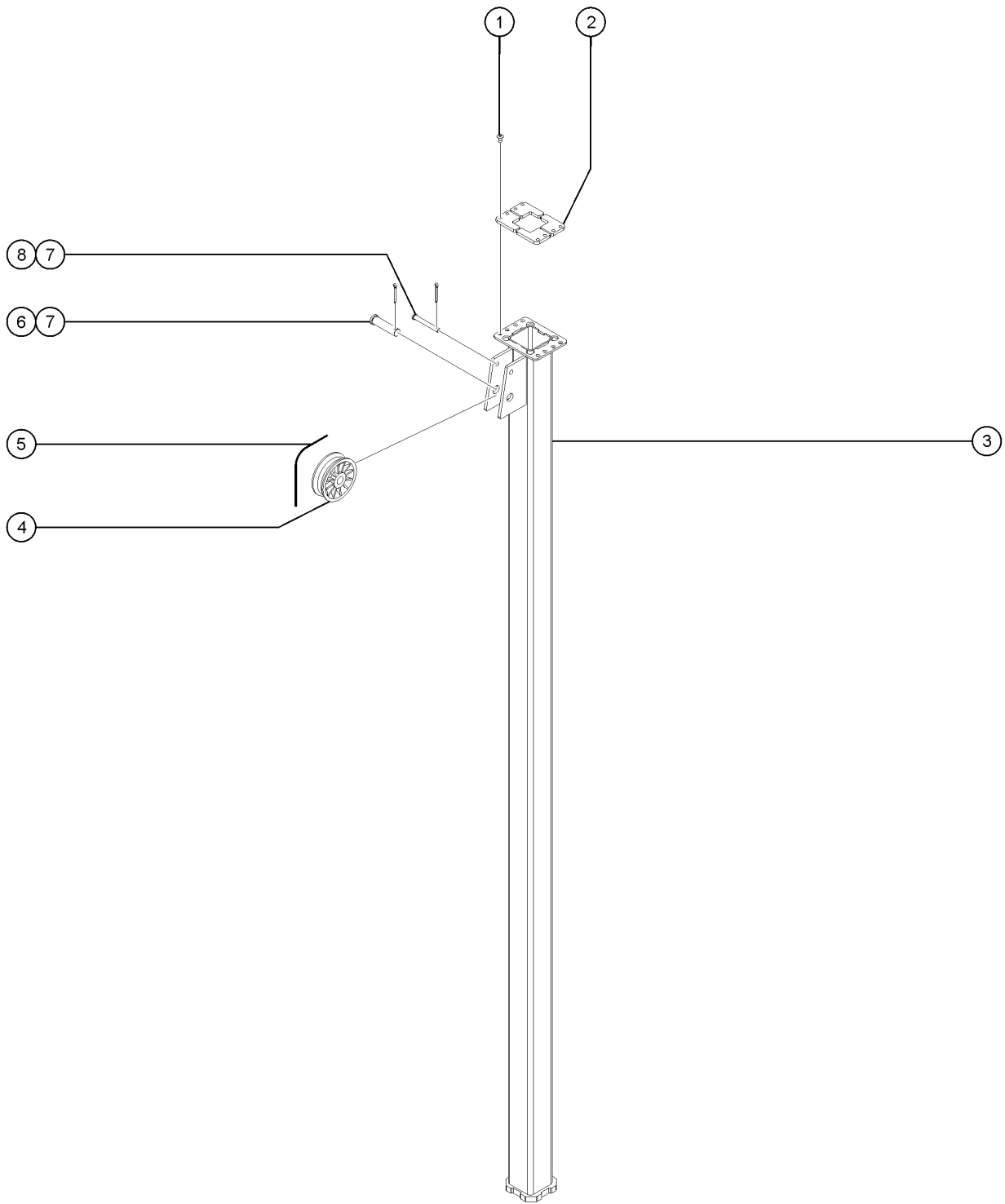
503.2 Mast Assembly, 3" Inch



Item	Part No.	Description	Qty.
1	992765GT	CLEVIS PIN 1/2 X 2 STAINLESS S	2
2	990650GT	COTTER PIN 1/8X1 SSBIN STOCK	3
3	217073GT	WEAR PAD, TOWER, APT4	1
4	1260021GT	RIVET, STL, STL, DOME, 3/16X.375, Z	8
5	1292183GT	WEARPAD, MAST, APT4	2
6		CABLE KIT, APT4 MAST 3" INCH	1
6-	1266136GT	CABLE 3/16", APT4 SECTION2	1
6-	T108880GT	THIMBLE WIRE ROPE-3/16	1
6-	791910GT	SLEEVE, OVAL, 3/16", ALUMINUM	1
7	188770GT	SHEAVE 2-13/16 X 1 1/4	1
8	1292068GT	WELDMENT, 3IN MAST, APT4	1
9	1267107GT	TORSION SPRING, VMAST RH	1
10	1267108GT	TORSION SPRING, VMAST LH	1
11	1267106GT	BRAKE, APT4 VMAST LOCK	1
12	1267109GT	PIN, VMAST BRAKE AXLE	1
13	994920GT	COTTER PIN 3/32X3/4 S	1
14	995790GT	CLEVIS PIN STAINLESSS	1
		Refer to 406.1	

500 Mast Components

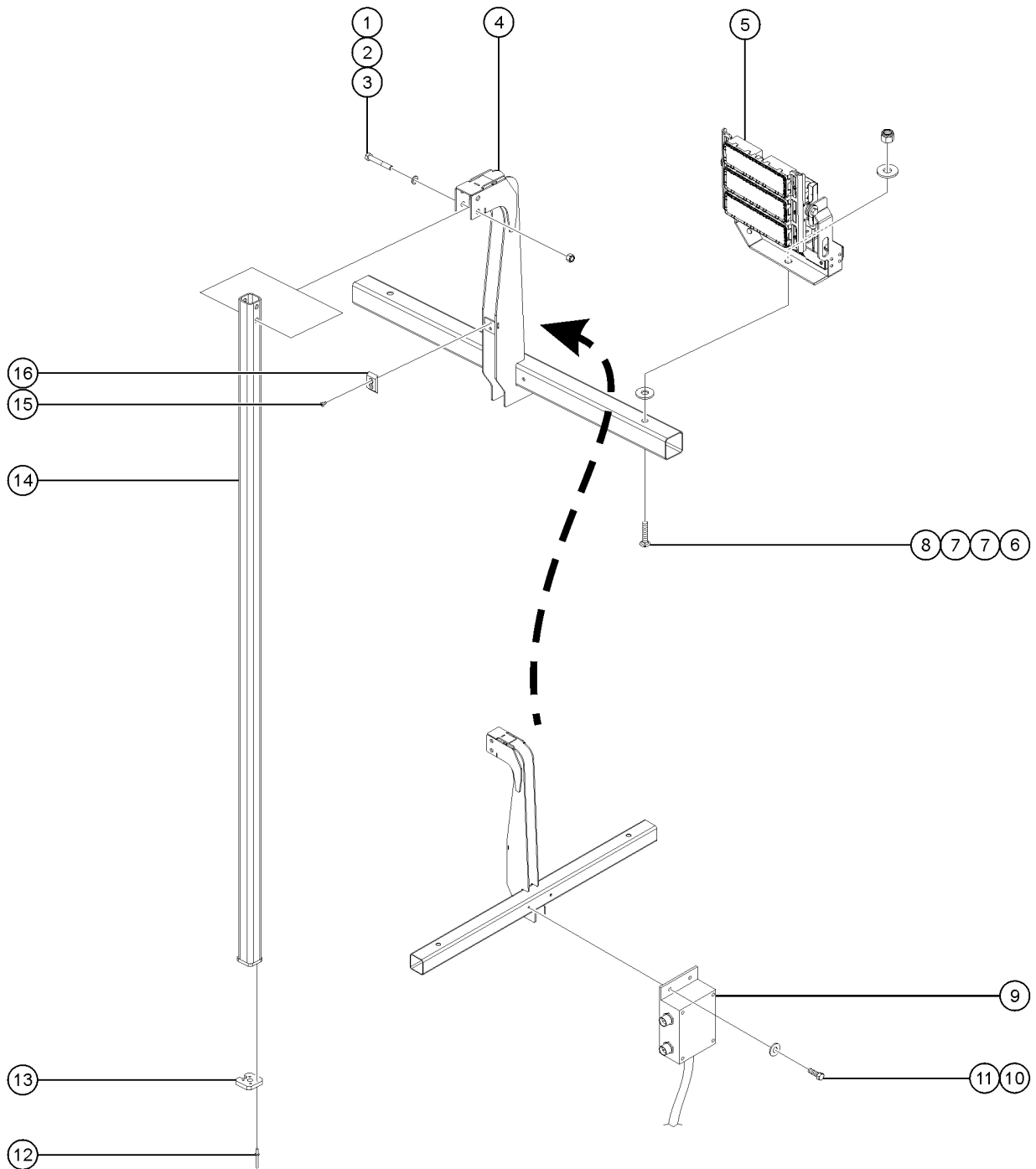
504.2 Mast Assembly, 2" Inch



<i>Item</i>	<i>Part No.</i>	<i>Description</i>	<i>Qty.</i>
1	1260021GT	RIVET,STL,STL,DOME,3/16X.375,Z	8
2	1294626GT	WEARPAD, APT4, 2IN	4
3	1292069GT	WELDMENT, 2IN MAST, APT4	1
4	188770GT	SHEAVE 2-13/16 X11/4	1
5		CABLE KIT, APT4 MAST 2" INCH	1
5-	1266137GT	CABLE 1/8",APT4 SECTION3	1
5-	1266138GT	THIMBLE,WIRE ROPE 1/8"	1
5-	1266139GT	SLEEVE, OVAL 1/8"ING	1
6	992765GT	CLEVIS PIN 1/2 X 2 STAINLESS S	1
7	990650GT	COTTER PIN 1/8X1 SSBIN STOCK	2
8	995790GT	CLEVIS PIN STAINLESSS	1

500 Mast Components

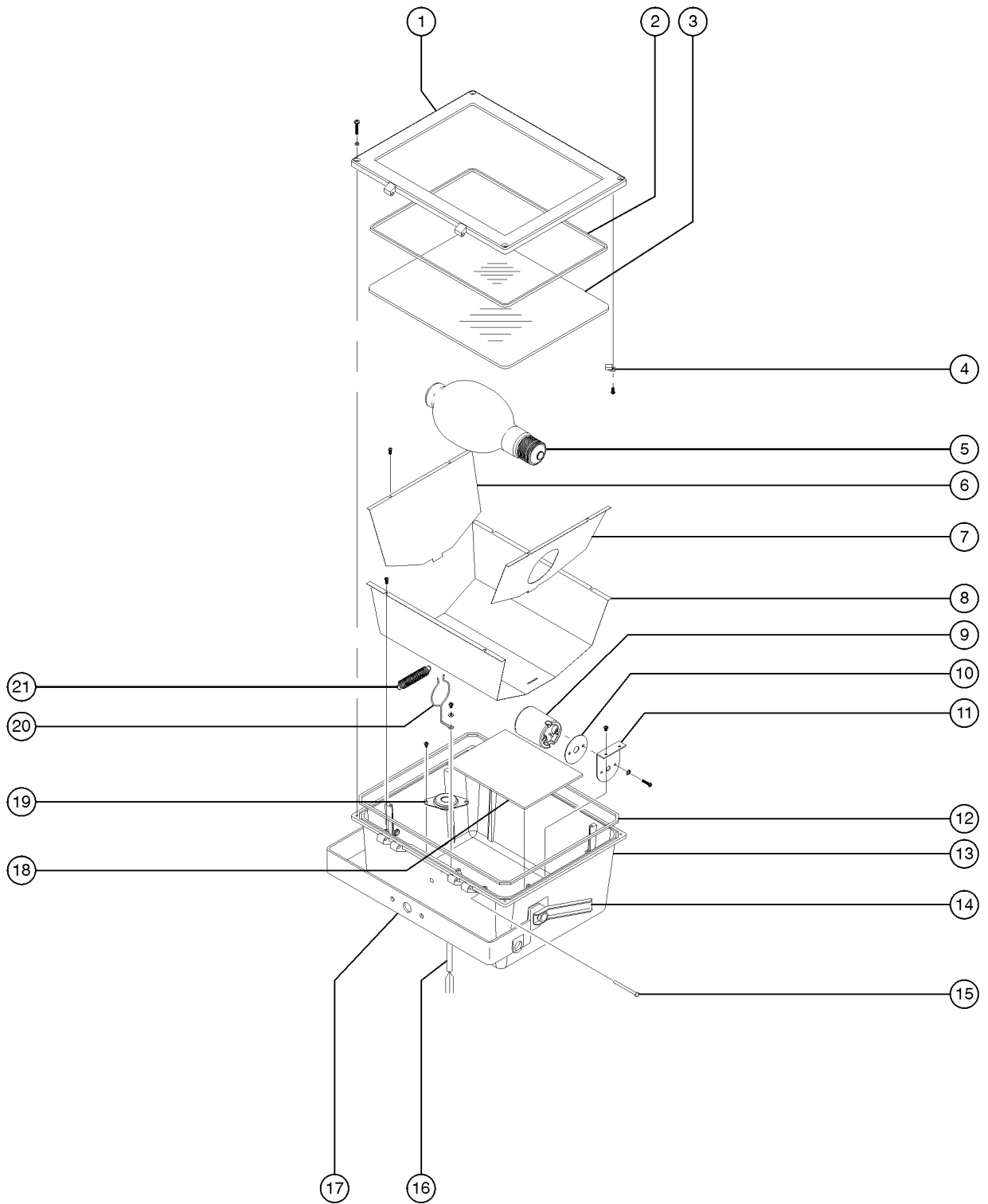
505.2 Mast Assembly, 1.5" Inch



Item	Part No.	Description	Qty.
1	824069GT	SCREW,HHC,3/8-16X2.5,8,ZAG	2
2	824110GT	WASHER, LOCK, 3/8, ZAG	2
3	1274166GT	NUT,NYLOCK,3/8-16,C,ZAG	2
4	1292965GT	WELDMENT, LIGHT BAR, APT4	1
5	1285237GT	FIXTURE,LIGHT,LED,3 MODULE	1
		(refer to 506.1)	
6	217438GT	CB,3/4"-10X4",Z	2
7	217072GT	STANDOFF, LIGHT	4
8	993180GT	NUT,NYLOCK,3/4-10 ZP	2
9		ref. JUNCTION BOX AND COIL CORD	1
		(refer to 402.1)	
10	995810GT	SCREW 1/4-20NCX5/8 HW	2
11	75144GT	WASHER,FLAT,SAE 1/4",ZINC	2
12	41695GT	RIVET,STL,STL,.188 X .50	4
13	1264061GT	WEARPAD, VMAST, BOTTOM	1
14	1292070GT	WELDMENT, 1.5IN MAST, APT4	1
15	1260021GT	RIVET,STL,STL,DOME,3/16X.375,Z	2
16	1293495GT	WEARPAD, LIGHTBAR, APT4	1

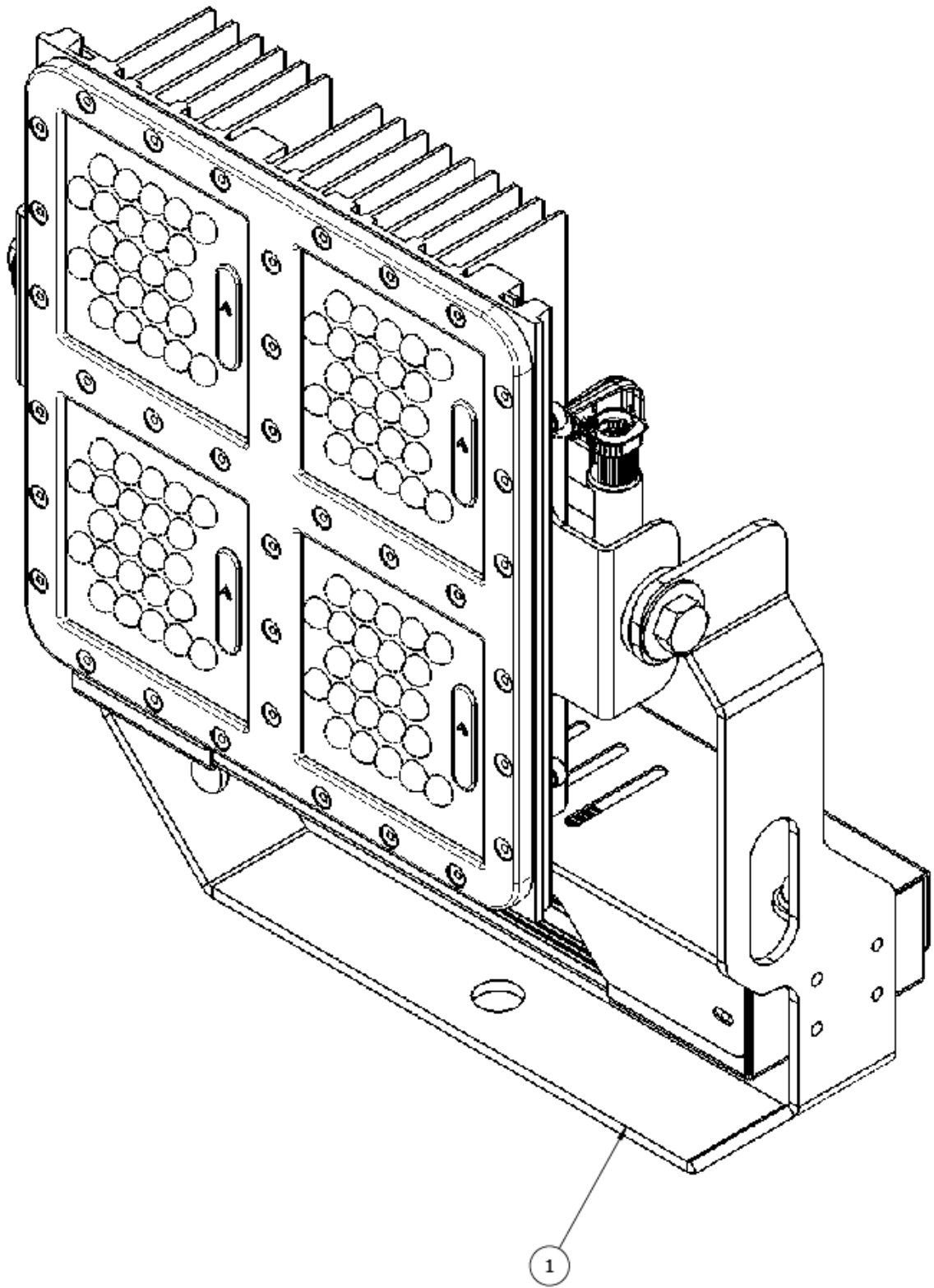
500 Mast Components

506.1 Light Assembly, Square



Item	Part No.	Description	Qty.
-	1266142GT	FIXTURE ASSEMBLY 1000W RECT APT4 standard model for hardwired connection to junction	
-			
1	116054GT	TOP FRAME,HOUSING BASE	1
2	116049GT	GASKET,RECTANGULAR GLASS/LENS	1
3	116048GT	GLASS/LENS,RECTANGULAR PSI (14.14 x 10.83 inches)	1
4	116051GT	RETAINER CLIP,GLASS/LENS	8
4	116052GT	COVER,GLASS/LENS RETAINER CLIP	8
5	160077GT	LAMP MH 1000W BT37HOR	1
6	116046GT	REFLECTOR SIDE	1
7	116047GT	REFLECTOR LAMP SIDE	1
8	116045GT	REFLECTOR BASE	1
9	116057GT	LIGHT SOCKET,PSI RECT 5 KV includes pigtail	1
10	116056GT	GASKET,LIGHT SOCKET	1
11	116044GT	BRACKET, SOCKET MOUNT	1
12	116053GT	GASKET,HOUSING BASE, TOPFRAME	1
13	116042GT	FIXTURE HOUSING BASE,1KW RECT	1
14	833573GT	T-HANDLE	2
14	823380GT	BOLT, HANDLE	2
14	1261799GT	WASHER LOCK 1/2ZP	2
15	116043GT	CLEVIS PIN,4.6X60MM	2
16	1267523GT	CORD SET MALE, W/O CONNECTOR APT4 standard model for hardwired connection to junction	1
17	116055GT	YOKE,PSI RECT.LIGHT FIXTURE	1
18	116059GT	FIBERGLASS PAD,RECT LAMP FIXT	1
19	116109GT	GROMMET ASSEMBLY	1
20	116058GT	LAMP BRACE, RECT HOUSING	1
21	116061GT	SPRING, LAMP RETAINER	1

507.1 Light Assembly, 16" Round



<i>Item</i>	<i>Part No.</i>	<i>Description</i>	<i>Qty.</i>
1	1299970GT	FIXTURE,LED,323W GEN 4.....	
-		CALL PARTS DEPARTMENT FOR AVAILABILITY OF INDIVIDUAL PARTS.....	

California Proposition 65

 **WARNING**

Operating, servicing and maintaining this equipment, passenger vehicle or off-highway motor vehicle can expose you to chemicals including engine exhaust, carbon monoxide, phthalates, and lead, which are known to the State of California to cause cancer and birth defects or other reproductive harm. These chemicals can be emitted from or contained in other various parts and systems, fluids and some component wear by-products. To minimize exposure, avoid breathing exhaust, do not idle the engine except as necessary, service your equipment and vehicle in a well-ventilated area and wear gloves or wash your hands frequently when servicing your equipment or vehicle and after operation. For more information go to www.P65Warnings.ca.gov/passenger-vehicle.

Breathing diesel engine exhaust exposes you to chemicals known to the State of California to cause cancer and birth defects or other reproductive harm.

- Always start and operate the engine in a well-ventilated area.
- If in an enclosed area, vent the exhaust to the outside.
- Do not modify or tamper with the exhaust system.
- Do not idle the engine except as necessary.

For more information go to www.P65warnings.ca.gov/diesel.

Distributed By: