

MILESEEY®

PF260

LASER RANGEFINDER
user's manual



CONTENTS

English	01-14
Deutsche	15-30
Français	31-45
Italiano	46-60
Español	61-75
Dutch	76-89

Thanks for choosing MILESEEY' s rangefinder, please read the manual carefully before using it.

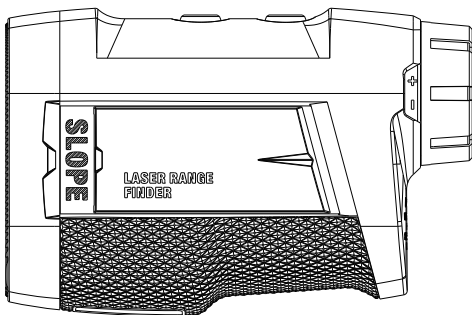
MILESEEY' s PF260 series product is a portable laser rangefinder telescope with magnetic.

PF260 series rangefinder is wrapped with environmentally friendly, harmless, non-slip, and wear-resistant soft rubber materials; Compact and light, comfortable to hold, and easy to carry.

PF260 rangefinder built-in high-adsorption magnetic strip, which can be firmly attached to the metal parts of the golf cart, which can be taken and placed at any time, which is more convenient.

PF260 series rangefinder adopts TOF (Optical Time of Flight) technology to realize golf ballistic compensation, flagpole locking and range functions, and add flagpole locking vibration prompt and angle switch functions.

PF260 series rangefinder has the characteristics of long-range, high measurement accuracy, fast measurement speed, intuitive distance display, and low power consumption. It is an intimate assistant for golf, mountaineering, hunting, and other outdoor measurement activities.



Product Overview

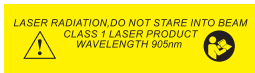
PF260 Features:

1. Slope on/off switch
2. Flag-lock
3. Vibration support
4. Magnetic stripe
5. USB Charging
6. Vertical Height(between 2 Points)
7. Speed measurement

Safety Instructions

① **Warning**

- Do not stare into the laser beam.
- Class 1 Laser product. $P < 1 \text{ mW@ } 905 \text{ nm}$.
- Do not aim the device to the sun, it will cause permanent damage to inner to the inner components.
- Keep the eyepiece away from direct sunlight.



- Do not put the device out of the storage temperature of $-10\sim 45^{\circ}\text{C}$.

② Disposal

Everyone is responsible for environmental protection.

It's prohibited to dispose of used batteries together with household waste, please collect used batteries to the designated refuse collection center.

This product must not be recycled with household waste. Dispose of the product appropriately in accordance with the national regulations in your country.

③ Scope of Responsibility

MILESEEEY will not be responsible for any loss if any use of accessories from other manufacturers without approval from MILESEEEY.



Magnets may temporarily affect the normal operation of implanted electronic medical devices, such as pacemakers and implantable defibrillators.

Magnets that are a part of this product can damage magnetic media such as floppy disks, hard drives, credit cards, cassette tapes, video tapes or other such devices. They can also damage televisions, computers, cell phones, VCRs, computer monitors and other CRT displays.

Important Safety Instructions for CR2 battery

⚠ WARNING: PF260 series rangefinder can only be compatible with the CR2 rechargeable battery that comes with MILESEEEY.

⚠ WARNING: Avoid charging the device with other brands CR2 or any other non-chargeable CR2 battery.

⚠ WARNING: If the CR2 battery protective cover has broken, please stop using the CR2 battery, it may cause explode or leak.

⚠ WARNING: If CR2 battery explode or leak, it may result in injury or fire.

To reduce this risk:

- Carefully follow all instructions and warnings on the battery label and package.
- Always insert CR2 battery correctly according to polarity (+ and-) marked on the battery and the equipment.
- Do not dispose of batteries in fire.
- Keep batteries out of reach of children and pets.


⚠ WARNING: When charging the device, please ensure that the battery is MILESEEEY' s rechargeable CR2 battery!

⚠ WARNING: Do not charge the device when using non-rechargeable CR2 battery or other brands CR2 battery, otherwise MILESEEEY will not be responsible for any loss !

Battery Installation and Instructions

Please use 1xCR2 battery to turn on the power of the device, which can be replaced and directly charged.

The device comes with a 250mA CR2 lithium recharge battery.

When it displays "  " (low battery), please use the original USB charging cable to charge, otherwise the distance deviation will increase;

NOTE: We recommend to take off the battery in case you do not use the unit for a long time and store it in dry conditions.

1. Push the button to the arrow indicator side to open the battery compartment.

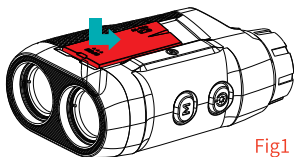


Fig1

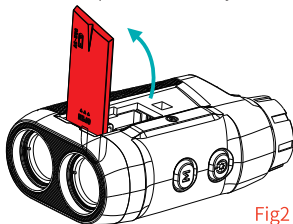


Fig2

2. Install 1xCR2 battery, observe correct polarity, otherwise it may be damaged due to short circuit.

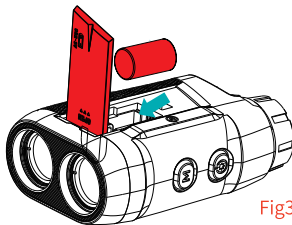


Fig3

3. After the installation is completed, press the battery cover to close it.

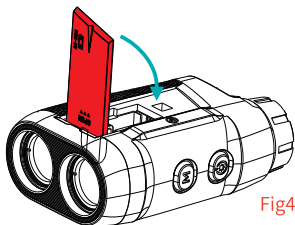
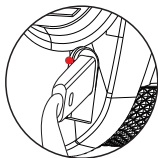
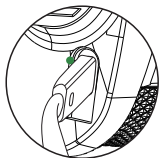


Fig4

When the indicator light is red, it indicates that the battery is charging. When the light turns green, it shows that charging is complete.



Charging

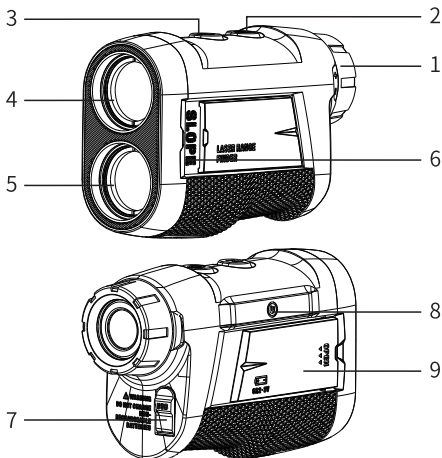


Full Charged

⚠ WARNING: Please only charge and use MILESEEEY CR2 rechargeable Lithium battery, MILESEEEY will not be responsible for any loss if use other brand rechargeable or not chargeable CR2 batteries from other manufacturers without approval from MILESEEEY.

⚠ ATTENTION: Please charge the rechargeable CR2 battery less than 5 hours each time

Appearance



1: Eyepiece knob

2: Power/measurement button

Short press to measure, and press and hold to lock the flag

3: Mode option

Short press to switch the function

Press and hold to switch the unit (M, Y)

4: Laser emission lens

please try not stare into the laser beam

5: Laser receiver lens

6: Slope switch

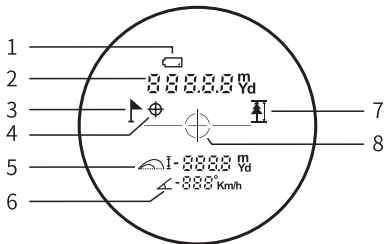
7: USB charging port

8: Magnetic stripe

9: Battery compartment

Icons on LCD Display

Insert the icon of the display, and display the following digital signs, refer to the example picture:

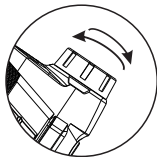


- 1: Low Battery Indicator
- 2: From left to right: Measured Distance, Units
- 3: Flag lock icon(The flag would be locked on when the icon shows up)
- 4: Measure remind(This icon flashing means it's measuring)
- 5: From left to right(Measuring data/ Unit M)
- 6: From left to right: Angle indicator/Angle data
- 7: Vertical height between two points Icon
- 8: Target


Operation and Settings

Eyepiece

- The rangefinder is designed with an adjustable eyepiece (**dioptre**).
- By adjusting the focusing dioptre within a -5 to +5 range, people with myopia and hyperopia can use laser rangefinder without glasses.
- Looking through the eyepiece, Adjust the eyepiece knob clockwise/ counterclockwise to focus on the target.

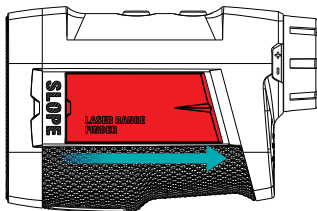


Power ON/OFF

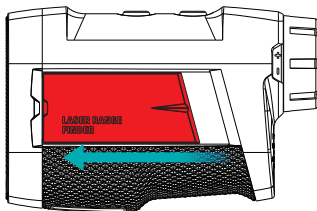
- Press the  to power ON.
- Automatically switch off after 16s of inactivity.

Angle Switch


- When the angle switch turned ON, all functions are available.



- When the angle switch Off, only Distance measurement is available .



Unit Change

Press and hold  to change the unit (m or Yd)

Operation Instructions

Step1. Press  to power ON



Step2. Please adjust the eyepiece to focus the target before measuring.

Step3. Short press  to switch modes as below:



In the course of the measurement, if the target reflection is weak or is beyond the measuring range, it will display as “---”.

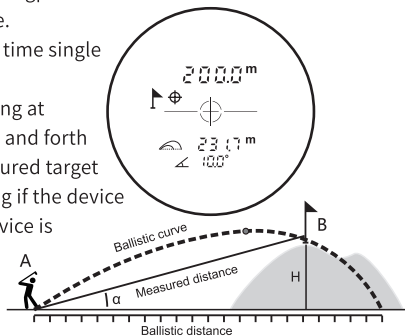
*The measurement range will be affected by materials of the target, inclined angle of the target surface, visibility of the weather etc. In general, if the target surface is smooth and bright with larger area, the beam is perpendicular to the target surface and the weather is cloudy without fog, the measurement range will be longer.

Golf Flag Scanning with Slope Mode

Short press  to active  flagpole scanning with slope mode.

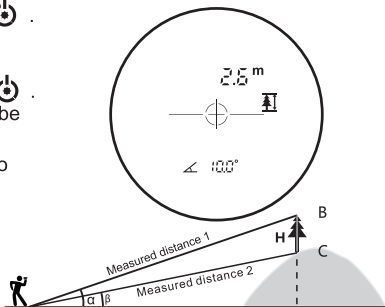
1. Short press  for a real time single measurement.

2. Press and hold . Aiming at target B, scan slowly back and forth on both sides of the measured target ( will continuous flashing if the device is scanning). When the device is vibrating, Golf Flag scanning measurement is completed. The distance from A to B, the slope distance and angle “ α ” will be shown on the screen accordingly.



Vertical Height (between two points) Measuring Mode

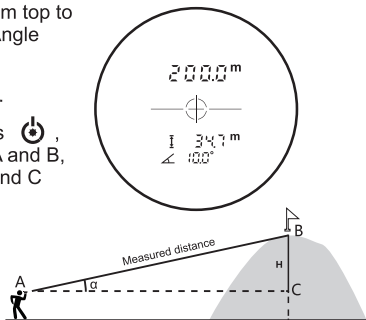
- Short press **(M)** to switch to **(H)** two-point height measuring mode;
 - Target point B and press **(G)**.
The first distance would be displayed;
 - Target point C and press **(G)**.
The second distance would be displayed.
 - The height between the two points would be calculated automatically and then displayed on the screen.
- ※**Note:** Only vertical height can be measured.



Distance, Height, Angle measurement


Data displayed on the lens from top to bottom: Distance + Height + Angle

- Short press **(M)** to switch to Single distance measurement.
- Aiming at target B and press **(G)**, measured distance between A and B, height and angle between B and C will be displayed accordingly.

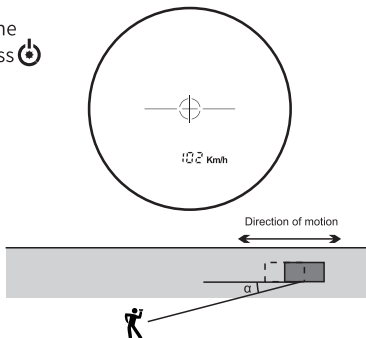


Speed Measuring Mode

“ α ” must be less than 10° , the smaller the angle, the higher the accuracy.

Short press **(M)** to activate the speed measuring mode, press  to aim at target B and move slightly, the speed of the movement can be measured accordingly.

*Speed measurement range: 18~300km/h



Specification

Model	PF260
Range	600m
Eye safety	FDA (CFR 21)
Measuring unit	m / Yd
Accuracy	±(0.5m+0.01D)
Laser wavelength	905 nm
Field of View	7°
Magnification	6X
Objective lens Diameter	23mm
Eyepiece Lens Diameter	16mm
Exit Pupil Diameter	3.7mm
Diopter	±5D
Adjustable interpupillary distance	56-74MM
Golf Flag Scanning Mode	√
Golf Slope switch on/off	√
Flag scanning Mode	√
Vibration alert	√
Vertical height between 2 Points	√
Auto Height	√
Speed Measuring Mode	√
Angle measurement	√
Built in Magnetic stripe	√
Power	CR2 rechargeable battery
Charging port	USB
Dimension(mm)	112.5 x74 x 43
Weight(Weithout battery)	200g

Notice

1. In order to protect the coating of the lens, do not touch lens with your fingers.
2. Laser rangefinder has been precisely calibrated by instruments, please send back to dealer for repairing instead of disassemble by yourself.
3. When the lens is contaminated, please wipe gently with clean cloth, do not use tough objects to wipe.
4. Avoid collision or heavy load when carry or use, especially keep away from baking or corrosion.
5. Keep the product away from moisture during storage. Please keep it in a dry, cool and well ventilated place to avoid direct sunlight, dust and temperature mutation.
6. Rain and fog will affect the laser ray-path, which may worsen the measurement accuracy. It also may cause error under very bad weather condition.

Contact us**INSTAGRAM****2-Year Warranty****Shenzhen Mileseey Technology Co., LTD.****Website:** www.mileseeytools.com**Email:** service@mileseey.com.

MILESEEY has started researching and development manufacturer of quality optical products including Golf rangefinder, laser measure device and binoculars since 2009.

Focus on the development, researching, and manufacturing for over 12 years.

We strive to provide you with premium qualified products and satisfying customer service to make your life easier and smarter.

Warranty

30-Day return and refund guarantee, 12-Month warranty, lifetime technique support by MILESEEY.

Please scan the above QR code to register this product and extend it to a 2-year warranty.

Please feel free to reach us with any concerns,

Email: service@mileseey.com.

We strive to reply to you within 24hours.