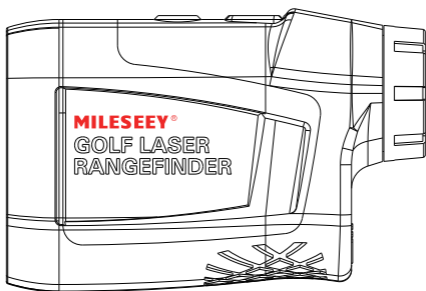


# PF210 Series Golf Range Finder Instruction Manual



FDA FC UK CA CE



## PRODUCT OVERVIEW

Thank you for using Mileseeey laser rangefinder, please read the instruction carefully before operation.

PF210 possesses great features of the small size, light weight, and one-hand operation. The body is wrapped with non-slip soft rubber to offer more comfortable user experience. PF210 adopts TOF(Time of Flight) technology to achieve the multi-function of Golf slope adjusted and Golf Scanning and Speed Measuring etc.

PF210 can achieve multi-functional features with high accuracy, quick response, intuitive distance display and lower power consumption. It is an intimate assistant for outdoor activities.

Slope Technology provides compensated distance based on hole's incline/decline. It is legal for tournament play when slope switch is turned off.

- Slope on/off supported
- Continuous measurement supported (Flagpole lock)
- Vibration supported
- Speed measurement

## SAFETY INSTRUCTIONS

### 1. **Warning**

- Do not stare into the laser beam.
- Eyes can be permanently damaged to look into sun with the device.
- Do not aim the device at the sun, it will

cause permanent damage to inner components.

- Keep the eyepiece away from direct sunlight.
- Do not put the device out of the storage temperature of  $-20^{\circ}\text{C} \sim +60^{\circ}\text{C}$
- When using this product, pay attention to the surface of the battery whether it's damaged, if there are signs of damages, you must replace the new battery immediately, pay attention to the polarity of the battery according to the sign on the product, do not reverse the positive and negative poles.

## **2.Disposal**



- Everyone is responsible for environmental protection.
- It's prohibited to dispose of used batteries together with household waste, please collect used batteries to designated waste station.
- This product must not be recycled with household waste. Dispose of the product appropriately in accordance with the national regulations in your country.

## **3.Scope of Responsibility**

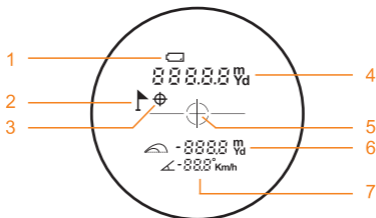
Mileseeey will not be responsible for any loss if any use of accessories from other manufacturers without approval from Mileseeey.

## APPEARANCE



1. Eyepiece knob
2. Eyepiece
3. Battery compartment
4. Power / Measure button 
5. Mode / Unit switch button 
6. Laser Emitter lens
7. Objective Lens/Laser Receiving lens
8. Slope Switch Button

## ICONS ON LCD DISPLAY



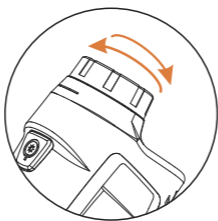
1. Low Battery Indicator
2. Golf Flagpole Scanning Icon

3. Measure remind(This icon flashing means it's measuring)
4. From Left To Right: Measured Distance, Measuring Unit.
5. Bull's eye
6. From Left To Right: Golf slope adjusted Icon / Golf slope adjusted Distance / Unit
7. From Left To Right: Angle icon / angle reading / unit


## INITIAL OPERATION AND SETTINGS

### Eyepiece


Adjust the eyepiece knob to focus the target.



## POWER ON/OFF

1. Press the  to power ON.
2. Automatically switch off after 16s of inactivity.

## UNIT CHANGE

Press and hold  for 2s to change the unit (m or Yd)

## OPERATION INSTRUCTIONS

\*Please adjust the eyepiece to focus the target before measuring. In the course of the measurement, if the target reflection is weak or is beyond the measuring range, it will display as "---".

\*The measurement range will be affected by materials of the target, inclined angle of the target surface, visibility of the weather etc. In general, if the target surface is smooth and bright with larger area, the beam is perpendicular to the target surface and the weather is cloudy without fog, the measurement range will be longer, and vice versa.

Short press **(M)** to switch to 3 measuring mode as below:


### GOLF SLOPE SWITCH OFF MODE

The Slope Shift is legal for tournament play when Slope Mode is disabled.

Slope Technology provides compensated distance based on the hole's incline/decline. It is legal for tournament play when slope switch is turned off.

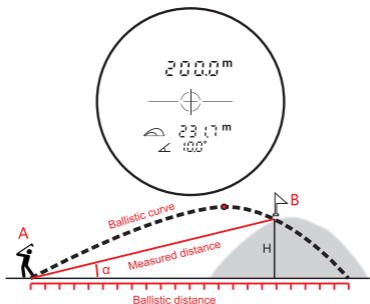
### GOLF SLOPE ADJUSTED MODE

**Distance+ slope adjusted distance+ Angle**

Short press **(M)** to  golf slope adjusted mode, aiming at target B and short press **(G)**; the measured distance between A and B, slope adjusted distance, angle will be displayed on the screen accordingly.



Slope adjusted angle/Slope range:

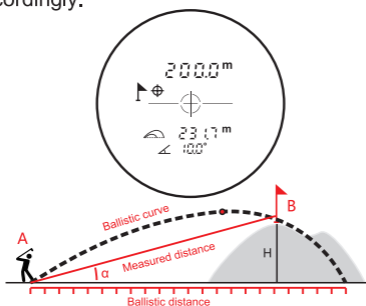
$-20^{\circ} < \alpha < 20^{\circ}$



## GOLF SCANNING MODE

### Flagpole SCANNING MODE( Close-Range priority)

Short press **(M)** to active  flagpole scanning mode. Aiming at target B, press and hold  , scan slowly back and forth on both sides of the measured target, when device is vibrating, scanning measurement is completed, the distance from A to B, the Slope distance and angle " $\alpha$ " will be shown on the screen accordingly.

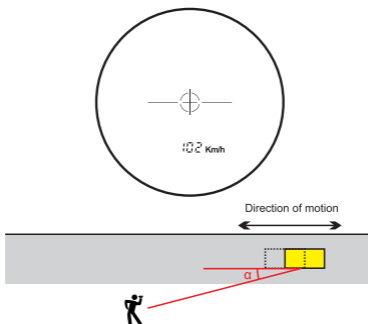


## SPEED MEASURING MODE

" $\alpha$ " must be less than  $10^\circ$ , the smaller the angle, the higher the accuracy.


Short press **(M)** to activate the speed measuring mode, press **(G)** to aim at target B and move slightly, the speed of the movement can be measured accordingly.

\*Speed measurement range: 18~300km/h



## BATTERY INSTALLATION AND INSTRUCTIONS

Please use 1xCR2 battery to power on the device.

When  (Low battery) is displayed, please replace the battery in time, otherwise the distance deviation will increase; Please take off the battery if it is not used for long time.



1. Push the button to the arrow indicator side to open the battery compartment.

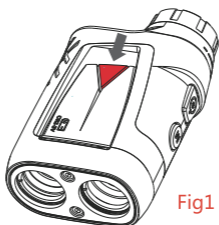


Fig1

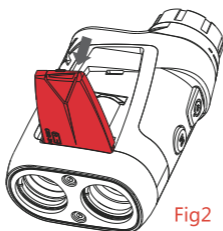


Fig2

2. Install 1xcr2 batter, observing correct polarity, otherwise it may be damaged due to short circuit.

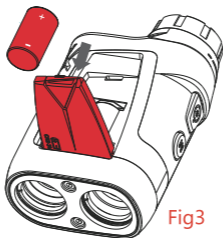
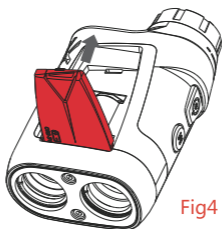


Fig3

3. After the installation is completed, press the battery cover to close it.



## SPECIFICATION

Model	PF210
Range	600m
Power	3V,CR2*1
Measuring unit	m / Yd
Accuracy	±0.5m
Laser wavelength	905 nm
Eye safety	FDA (CFR 21)
Field of View	7°
Magnification	6X
Objective lens Diameter	22mm
Eyepiece Lens Diameter	16mm
Exit Pupil Diameter	3.7mm
Diopter	±5D

Diopter Adjustment	Eyepiece adjustment
Vibration supported	√
Golf Slope Adjusted Mode	√
Golf Scanning Mode	√
Speed Measuring Mode	√
Golf Slope switch on/off	√
Dimension	110*65*38mm
Weight (Weithout battery)	164g

## NOTICE

1. In order to protect the coating of the lens, do not touch lens with your fingers.
2. Laser rangefinder has been precisely calibrated by instruments, please send back to dealer for repairing instead of disassemble by yourself.
3. When the lens is contaminated, please wipe gently with clean cloth, do not use tough objects to wipe.
4. Avoid collision or heavy load when carry or use, especially keep away from baking or corrosion.
5. Keep the product away from moisture during storage. Please keep it in a dry, cool and well ventilated place to avoid direct sunlight, dust and temperature mutation.

6. Rain and fog will affect the laser ray-path, which may worsen the measurement accuracy. It also may cause error under very bad weather condition.

## CONTACT US



INSTAGRAM



2-Year Warranty

### **Shenzhen Milesee Technology Co., LTD.**

Website: [www.mileseeytools.com](http://www.mileseeytools.com)

Email: [service@milesee.com](mailto:service@milesee.com)

MILESEEEY has started researching and development Laser measure since 2008, focus on the development, researching, and manufacturing for over 11 years.

We strive to provide you with premium qualified products and satisfying customer service to make your life easier and smarter.

## WARRANTY

30-Day return and refund guarantee,  
12-Month warranty, lifetime technique support  
by MILESEEEY.

Please scan the above QR code to register  
this product and extend it to a 2-year  
warranty.

Please feel free to reach us with any  
concerns, Email: [service@milesee.com](mailto:service@milesee.com).  
We strive to reply to you within 24hours.