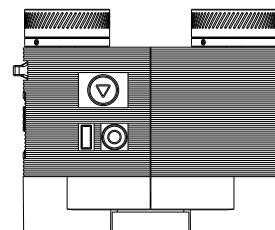


MILESEEY®

BPFS2 Pro Series Pulse Rangefinder Binoculars Instruction Manual



Product Overview

Thank you for purchasing and using Mileseeey Binoculars, please read the instructions carefully before operation. BPFS2 Pro Series is an easy carry-on device, equipped with wide observing view to relieve eyes stress. White and black color makes it to be the fashion darling; what's more, covered by wear-resisting band rubber, ensure it's high work performance even in challengeable measure situations. 6X magnification with 7.5° field of view, and crystal-clear optic lens with multi coating ensure user a highly clear watching experience. What's more, golf compensated distance measurement, flagpole locked-on, slope measurement etc functions are full satisfied. It's also featured with long range measurement(max to 2000m), high accuracy, fast measure speed, intuitive distance display, but in low consumption.

Safety Instructions

① Warning

Do not stare into the laser beam. Eyes can be permanently damaged to look into sun with the device. Do not aim the device to the sun, it will cause permanent damage to inner components. Keep the eyepiece away from direct sunlight. Do not put the device out of the storage temperature of -10°C~60°C.

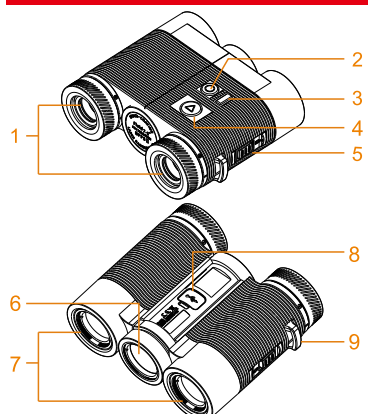
② Disposal

Everyone is responsible for environmental protection. It's prohibited to dispose used batteries together with household waste, please collect used batteries to designated waste station. This product must not be recycled with household waste. Dispose of the product appropriately in accordance with the national regulations in your country.

③ Scope of Responsibility

Mileseeey will not be responsible for any loss if any use of accessories from other manufacturers without approval from Mileseeey.

Appearance



1. Eyepieces

2. Measure button

Short press to measure distance

3. Unit: M / Yd

4. Power / Measure button

Short press to turn on / measure, Long press to flag scan

5. Stop on / off

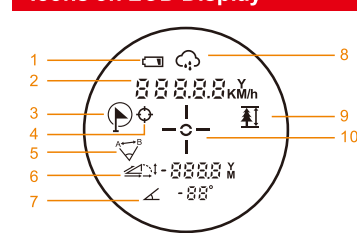
6. Laser receiving lens

7. Objective lens / Laser emitter

8. Type-C charging port

9. Wrist strip hole

Icons on LCD Display



1. Low battery indicator

2. Yardage/unit

3. Flaglock

The flag would be locked on when this icon shows up

4. Measure remind

This icon flashing means it's measuring

5. Point-Point

6. From left to right: Golf Flagpole Scanning / Measuring data / Unit

7. From left to right:

Angle indicator / Angle data

8. Rain fog mode

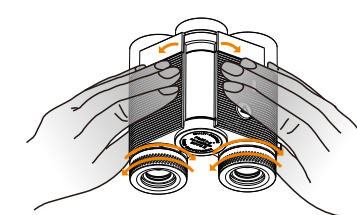
9. Vertical height between two points

10. Bull's eye

Initial Operation and Settings

Binocular Accommodation

- Adjust the eyepiece knob to focus the target.
- Look straight ahead, rotate eyepiece tubes inward until they reach to proper watchable view.



Power ON/OFF

- Press the to power ON.
- Automatically switch off after 16s of inactivity.

Distance Measurement

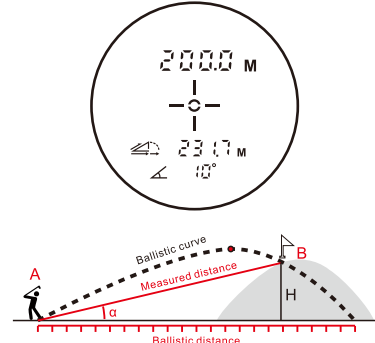
*Please adjust the eyepiece to focus the target before measuring. In the course of the measurement, if the target reflection is weak or is beyond the measuring range, it will display as"---"

*The measurement range will be affected by materials of the target, inclined angle of the target surface, visibility of the weather, etc. In general, if the target surface is smooth and bright with a larger area, the beam is perpendicular to the target surface and the weather is cloudy without fog, the measurement range will be longer, and vice versa.

Golf Slope Mode

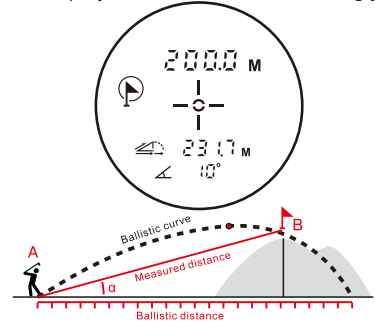
Distance + Slope distance + Angle

Short press to switch to golf Slope mode , aiming at target B and short press ; the measured distance between A and B slope distance angle will be displayed on the screen accordingly. Slope adjusted angle/ Slope range: $-20^\circ < \alpha < 20^\circ$



Flagpole Lock-on Mode

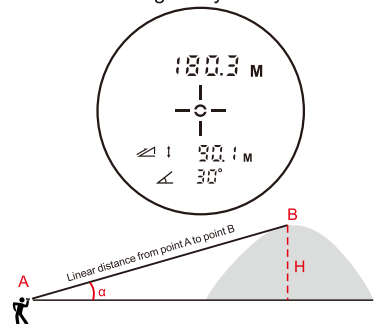
Long press to activate flagpole scanning mode, aiming at target B, the flashing indicates the device is scanning when vibrating and is displayed in the upper left corner of the screen, the scanning measurement is completed, the distance from A to B, the Slope distance and the angle α will be displayed on the screen accordingly.



Auto Height

Distance + Automatic vertical + Tilt

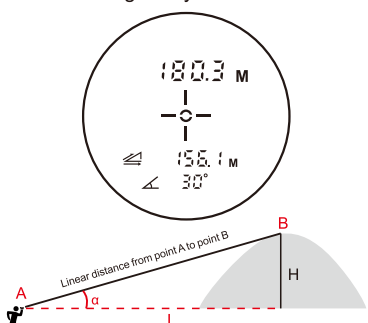
Short press to switch to Auto Height , to aim at the highest point of the target, press the measuring button , the crow-fly distance from the rangefinder to the measured target would be displayed on the LCD screen, the vertical height would be displayed at the bottom of the screen, the tilt would be displayed at the bottom right of your screen.



Auto Level

Distance + Auto level + Tilt

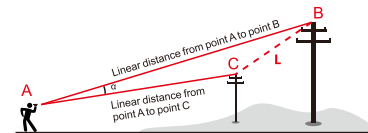
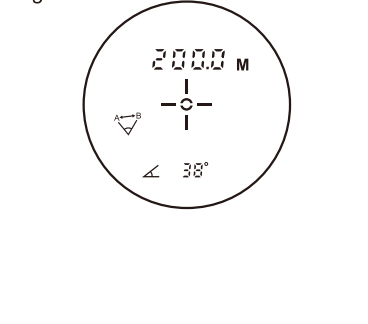
Short press to switch to Auto level , to aim at the target, press the measuring button , the crow-fly distance from target to the rangefinder would be displayed on the LCD screen, the horizontal distance would be displayed at the bottom of the screen, the tilt would be displayed at the bottom right of your screen.



Point-to-point Ranging Mode

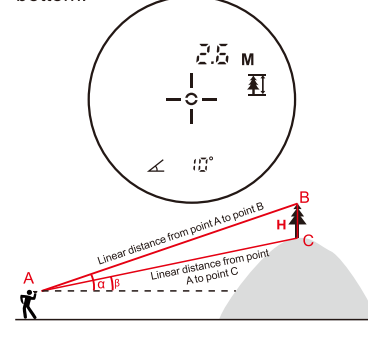
Short press to switch to Point-to-Point mode , aiming at target B, press , the measured distance between A and B will be displayed at the top of the screen, move to target C, press , the measured distance between A and C will be displayed at the top of the screen, at meantime, the distance and angle between B and C will be calculated and displayed on the screen.

* Note: Stand still while measuring the target.



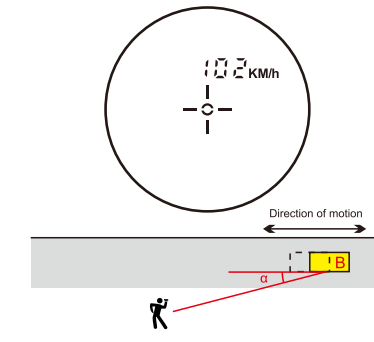
Vertical Height (Between Two Points)

Short press to activate vertical height measuring mode . Aim at target B, press to get the distance and angle (angle between the measured distance and horizontal surfaces) between A and B. Move to target C, press to get the distance and angle (angle between the measured distance and horizontal surface) between A and C, the vertical height between B and C will be displayed on the top, the absolute value of the difference between the two angles will be displayed at the bottom.



Speed Measuring Mode

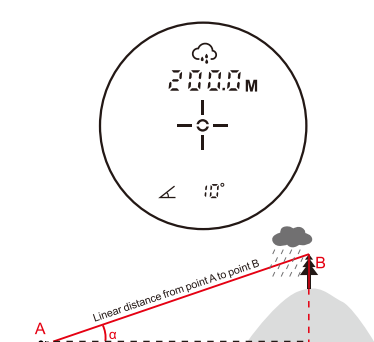
α must be less than 10° , the smaller the angle, the higher the accuracy. Short press to switch to speed measuring mode, press aiming at target B and move slightly, the speed of the movement can be measured accordingly. Speed measurement range: 18~300km/h



Rain and Fog Ranging Mode (long-range Priority)

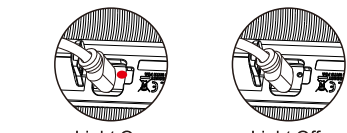
Distance + Tilt angle

This mode is mainly used to measure in rain and fog conditions. Short press to rain and fog mode (long-range priority) , aiming at target B, short press to get distance between A and B.



Charging Instruction

The device is with a built-in rechargeable lithium battery; when " " (Low indicator) is displayed, please use the original USB cable to charge. When the indicator light is on, means battery is charging. When the light is off, means charging is complete.



Specification

Model	BPFS2 Pro
Range	1000m/2000m
Accuracy	$\pm(0.5m+0.001D)$
Magnification	6X
Observation type	Binoculars
Objective lens diameter	22
Field of View	7.5°
Adjustable interpupillary distance	56~74mm
Exit pupil diameter	3.7mm
Diopter	$\pm 5.0 D$
Laser wavelength	905nm
Unit switch	M / Yd
Flagpole lock-on function	<input checked="" type="checkbox"/>
Golf slope	<input checked="" type="checkbox"/>
Auto height	<input checked="" type="checkbox"/>
Auto level	<input checked="" type="checkbox"/>
Point to point Measurement	<input checked="" type="checkbox"/>
Vertical height between two points	<input checked="" type="checkbox"/>
Speed measurement	<input checked="" type="checkbox"/>
Rain and fog mode (Long-range priority)	<input checked="" type="checkbox"/>
Angle measurement	<input checked="" type="checkbox"/>
Vibration alert	<input checked="" type="checkbox"/>
Angle switch	<input checked="" type="checkbox"/>
Power	Lithium rechargeable battery
Operating temperature	0°C~+40°C
Dimension (mm)	113*99*39
Weight (g)	310

① Range The maximum range shall be different according to different models. The actual range refers to the package.
② D is for measured distance

Notice

- In order to protect the coating of the lens, do not touch lens with your fingers.
- Laser rangefinder has been precisely calibrated by instruments, please send back to dealer for repairing instead of disassemble by yourself.
- When the lens is contaminated, please wipe gently with clean cloth, do not use tough objects to wipe.
- Avoid collision or heavy load when carry or use, especially keep away from baking or corrosion.
- Keep the product away from moisture during storage. Please keep it in a dry, cool and well ventilated place to avoid direct sunlight, dust and temperature mutation.
- Rain and fog will affect the laser ray-path, which may worsen the measurement accuracy. It also may cause error under very bad weather condition.

Contact us



Shenzhen Mileseeey Technology Co., LTD.
Office Add: 36/F, Building 5, Tangliang Town Plaza West, Liuxian Avenue, Nanshan, Shenzhen, Guangdong, P.R. China
Factory Add: Zhongkai Six Road #137, Chenjiang Avenue, Zhongkai High-tech Area, Huizhou, Guangdong 516029 China. (Floor 2 & 3 of Intelligent Tower, Innovation Park of Huizhou Tonghu Ecological Smart Zone)
Tel: +86 755-86329055 / +86 752-3222711
Web: www.mileseeey.com(CN) / www.mileseeey.net(EN)

Copyrights

The product specifications are subject to change without notice, all final interpretation rights were reserved by Mileseeey Technology Co., Ltd. All trademarks, product images, technical parameters are properties of Mileseeey Technology Co., Ltd. All rights reserved.



Executive Standard : GB/T 14267-2009

Warranty Card

Model name	Serial Number
Invoice Code	
User Info	User Name Address & Tel.
Date of purchase	warranty period
Dealer	Dealer's name, address, tel.
Fault Description	

Warranty Terms

Warranty Period

- This product has one year warranty in the precondition of non-artificial damage.
- Within the warranty period, certain maintenance costs will be charged under following cases
- Damages caused by improper usage or maintenance of the tool;
- The tool had been disassembled or mended by non-authorized third party;
- Without the warranty card or the purchase invoice;
- The serial number on the warranty card is different with the one on product;
- The serial number has been altered or abraded;
- Damaged by any force majeure factors;
- Replacement of the worn out accessories;
- Damages caused by the abnormal factors such as the temperature/humidity in usage;
- Damages caused by the improper operation.

Please send the tool with warranty card & purchase invoice to local dealer if maintenance needed. The warranty card will not be reissued if lost; please keep it carefully for maintenance.

MILESEEY 迈测

Shenzhen Mileseeey Technology Co., LTD.
Factory Add: Zhongkai Six Road #137, Chenjiang Avenue, Zhongkai High-tech Area, Huizhou, Guangdong 516029 China. (Floor 2 & 3 of Intelligent Tower, Innovation Park of Huizhou Tonghu Ecological Smart Zone)
Telephone: +86 752-3222711