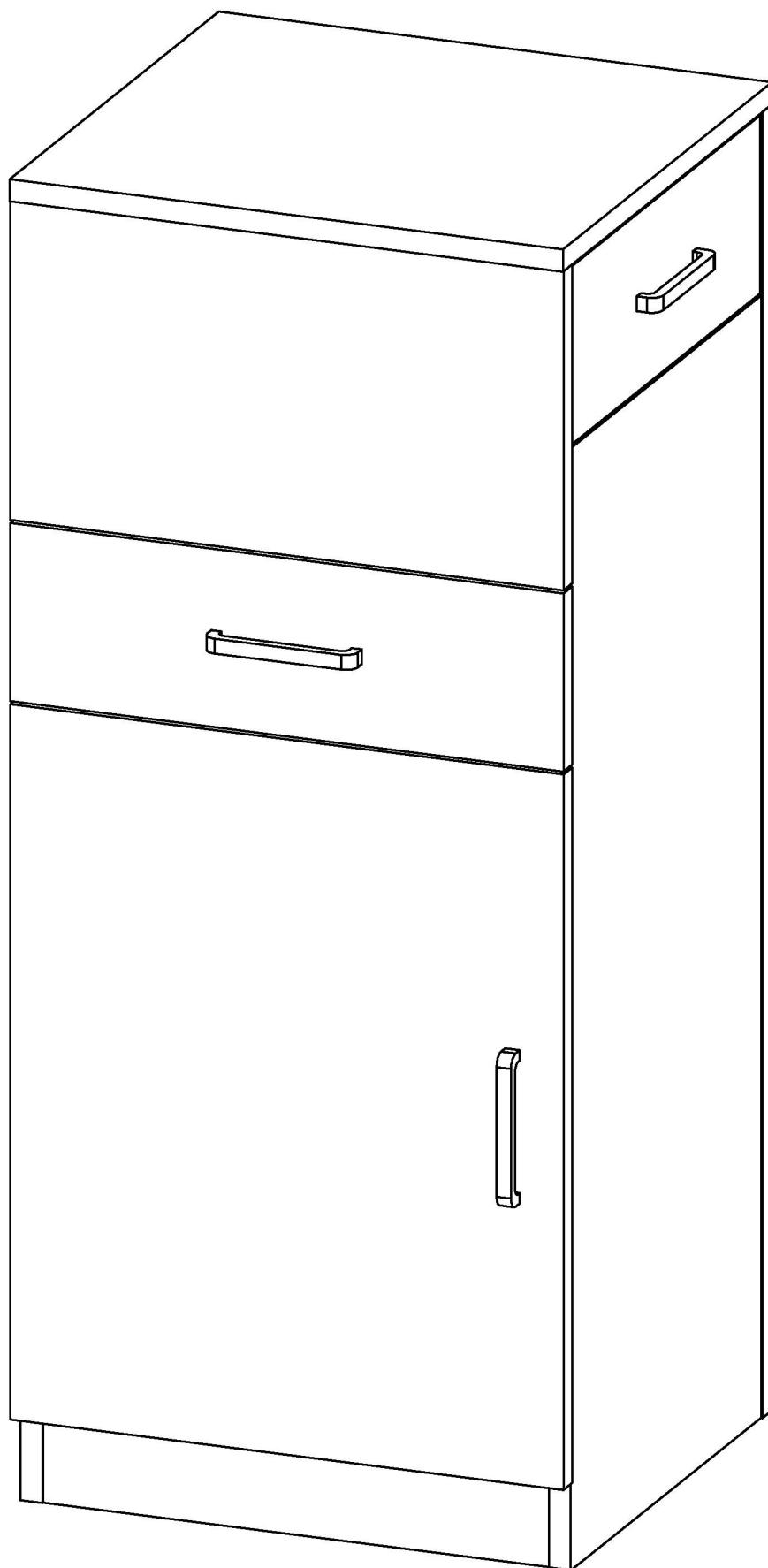
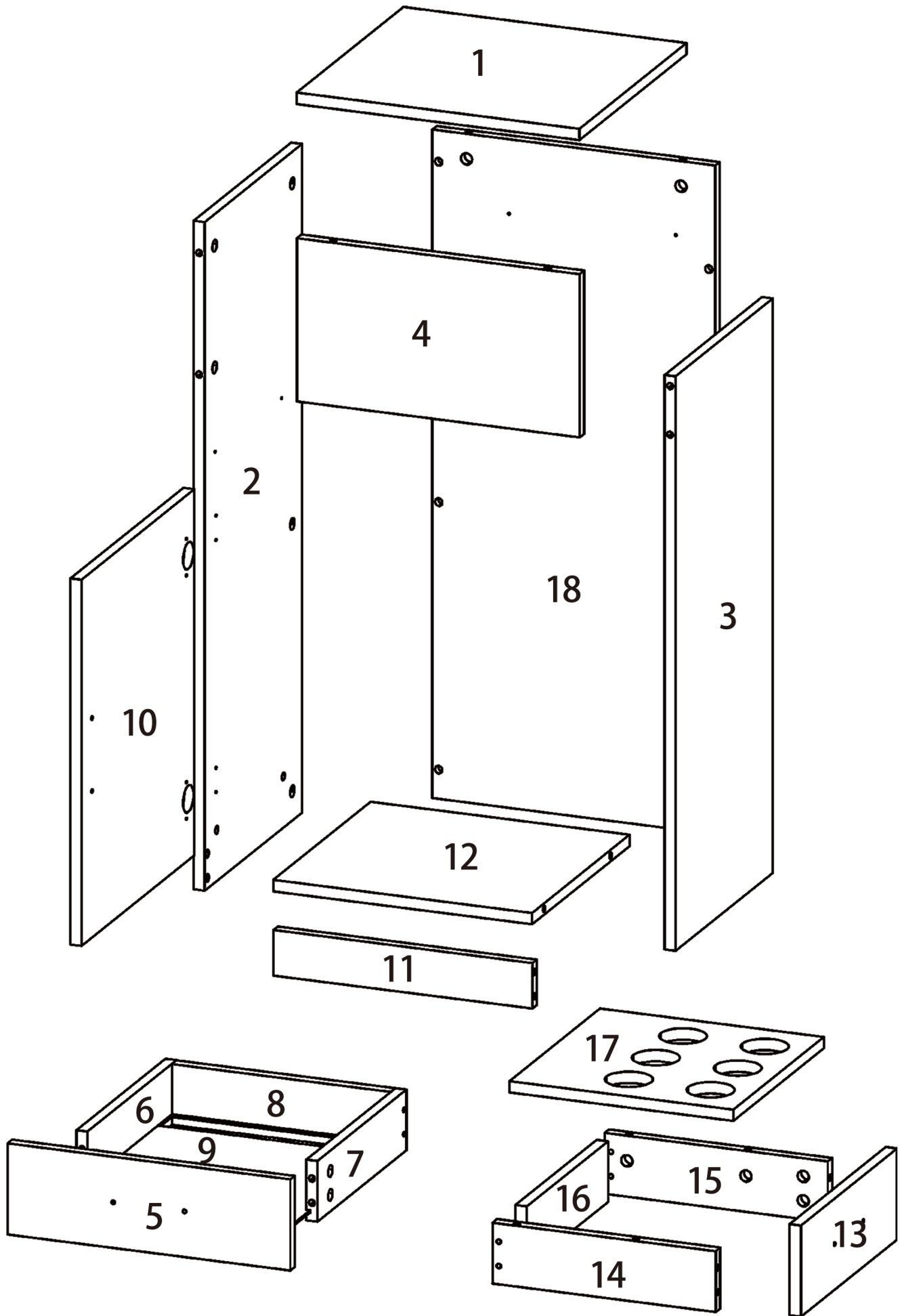

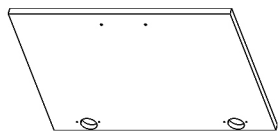
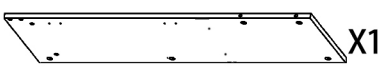
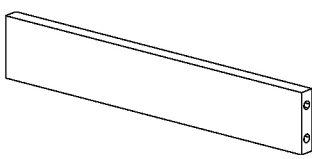
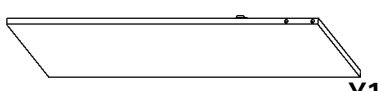
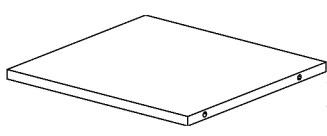
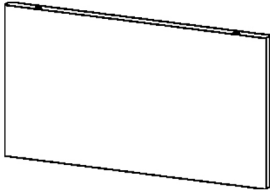
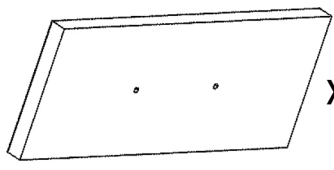
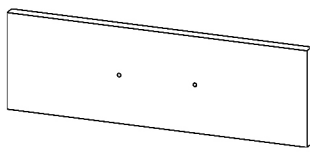
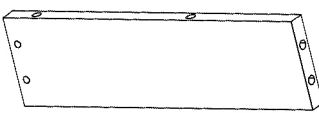
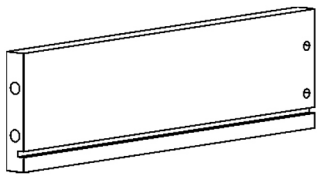
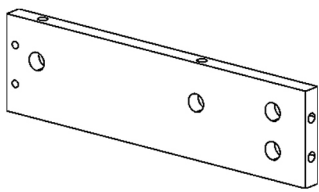
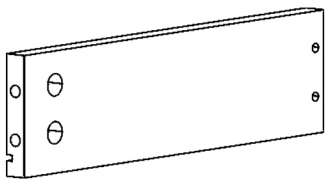


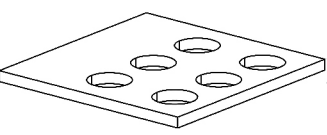
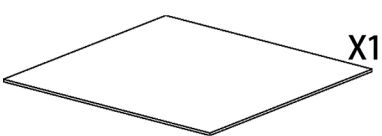
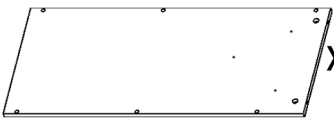


OmySalon Salon Cabinet Assembly Instruction

-Model:HSC-12-B



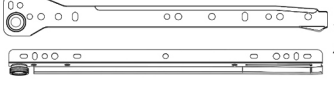

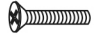
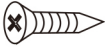

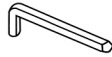
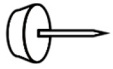
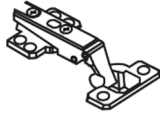
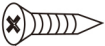








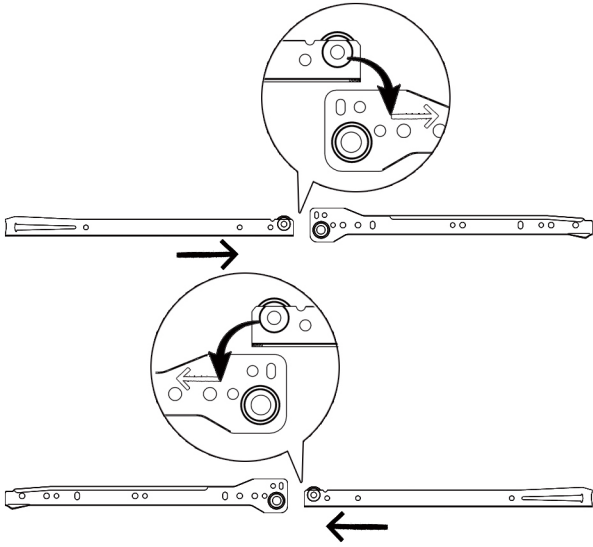
1	 X1	380x360	1/1	10	 X1	482x380	1/1
2	 X1	880x328	1/1	11	 X1	348x60	1/1
3	 X1	756x328	1/1	12	 X1	348x328	1/1
4	 X1	380x215	1/1	13	 X1	324x120	1/1
5	 X1	380x120	1/1	14	 X1	300x80	1/1
6	 X1	300x80	1/1	15	 X1	300x80	1/1
7	 X1	300x80	1/1	16	 X1	274x80	1/1
8	 X1	294x80	1/1	17	 X1	305x301	1/1
9	 X1	303x293	1/1	18	 X1	880x380	1/1

Company: (mm)

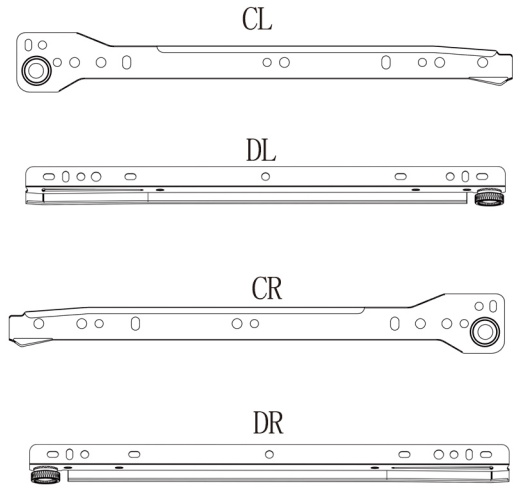
ACCESSORIES LIST

A		X34	6x40	1/1	B		X34	15x11	1/1
C		X2	12 inches	1/1	D	 	X3 X6	96/M4x18	1/1
E		X20	M3.5x14	1/1	F	 	X8 X1	M5x40/#3	1/1
G		X4	5xΦ12	1/1	H		X2	Hinge	1/1
J		X8	M3x14	1/1	K		X6	Φ60	1/1
		X16	21mm	1/1	M	 	X1 X1	8x40/M4x50	1/1

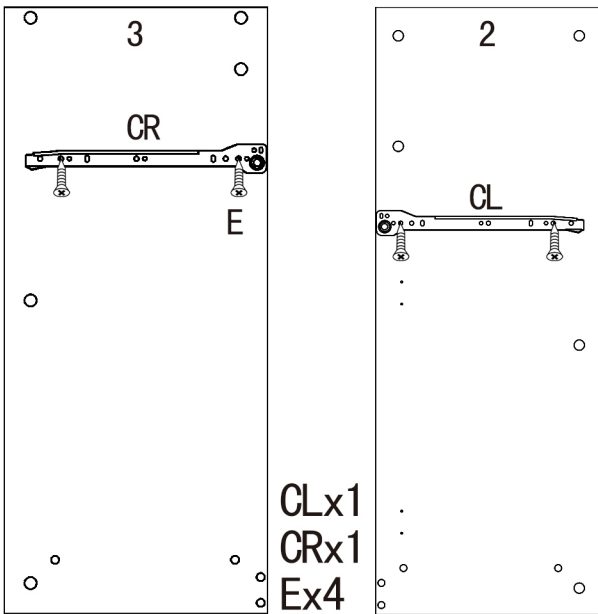
1



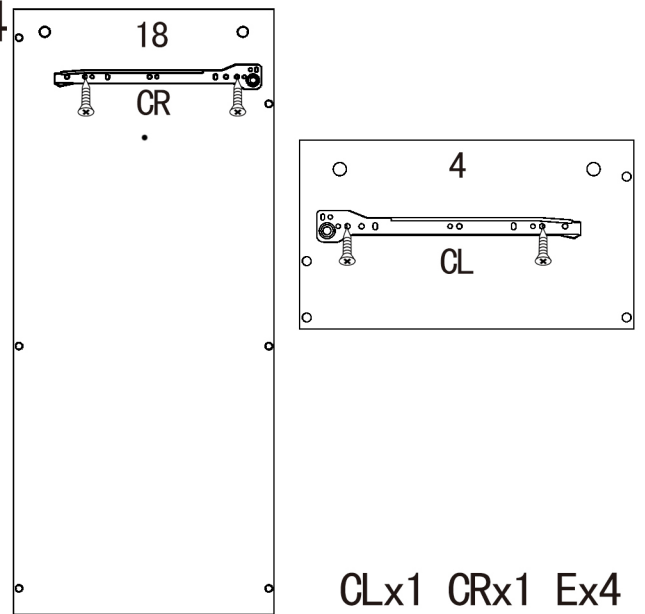
2



3

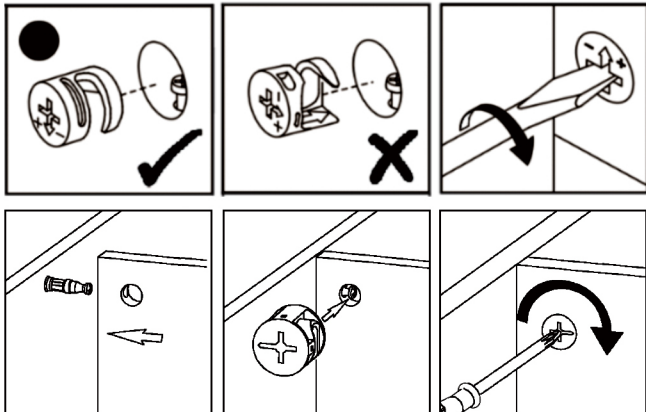
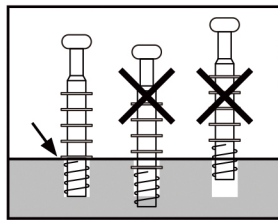


4

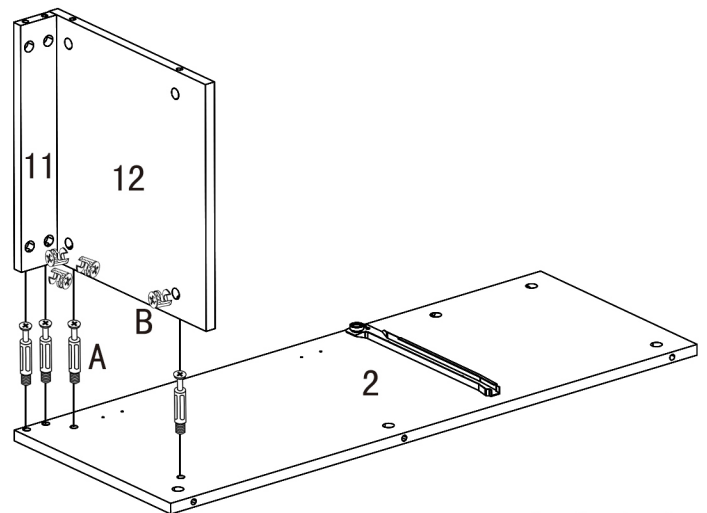


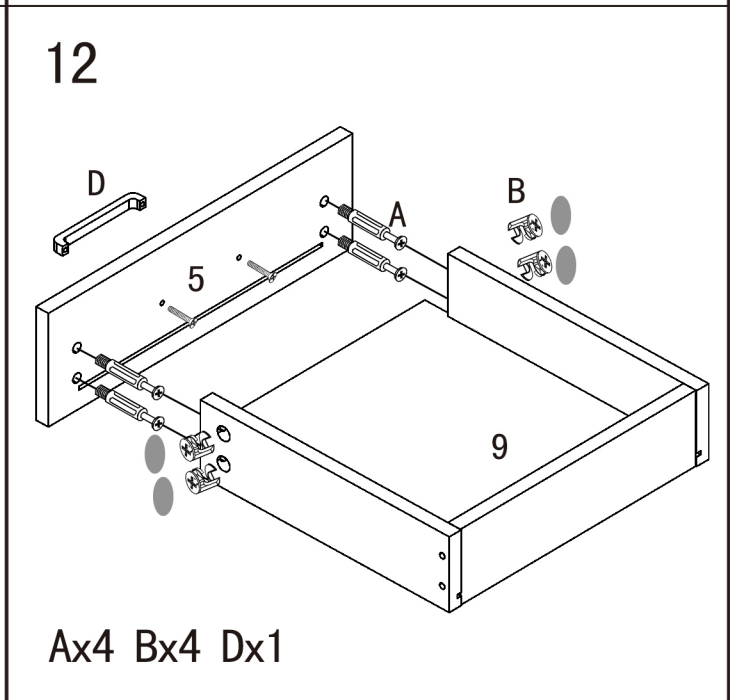
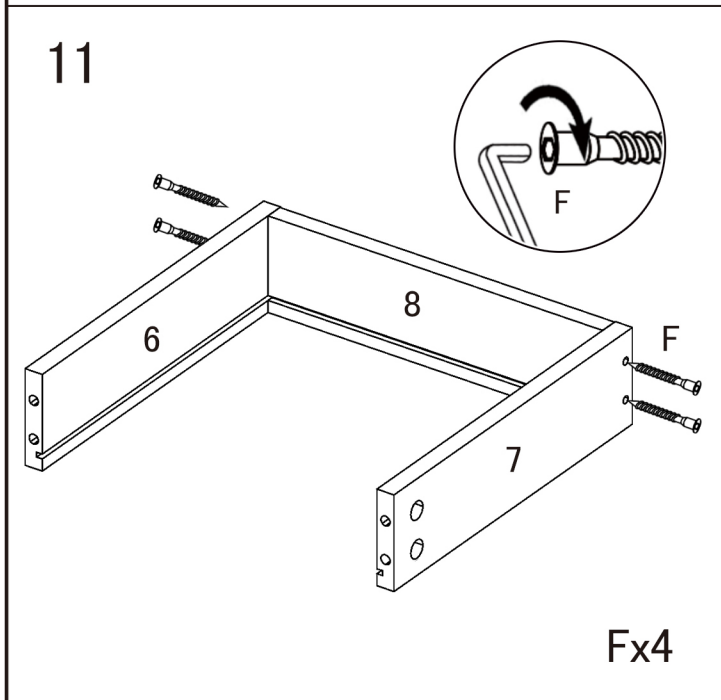
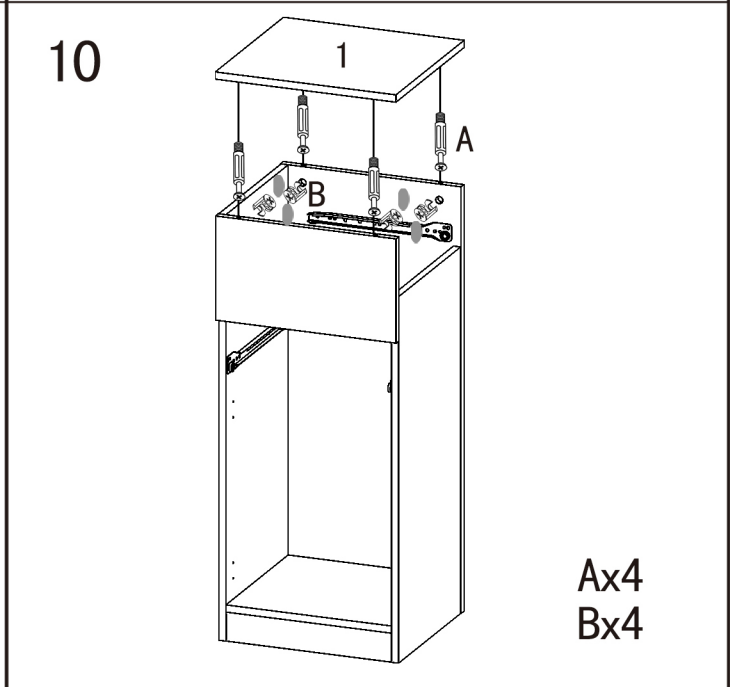
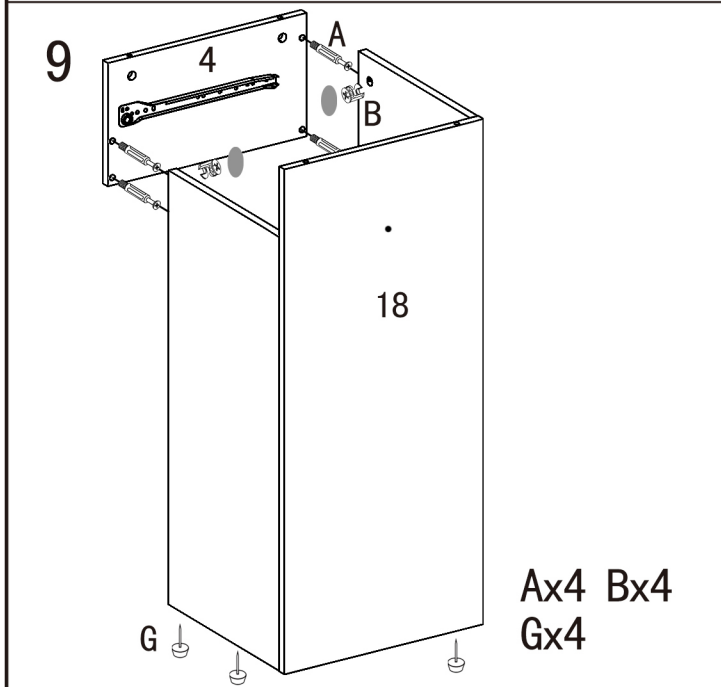
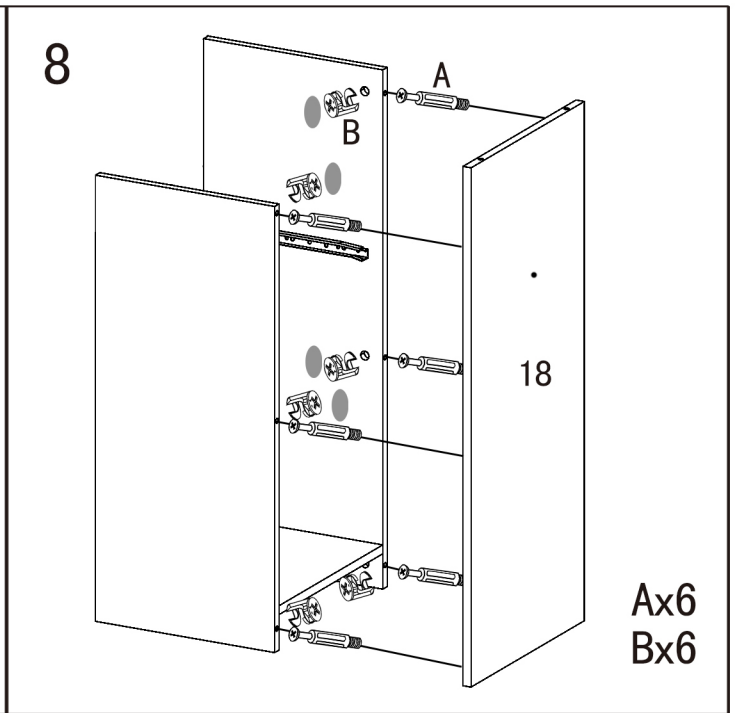
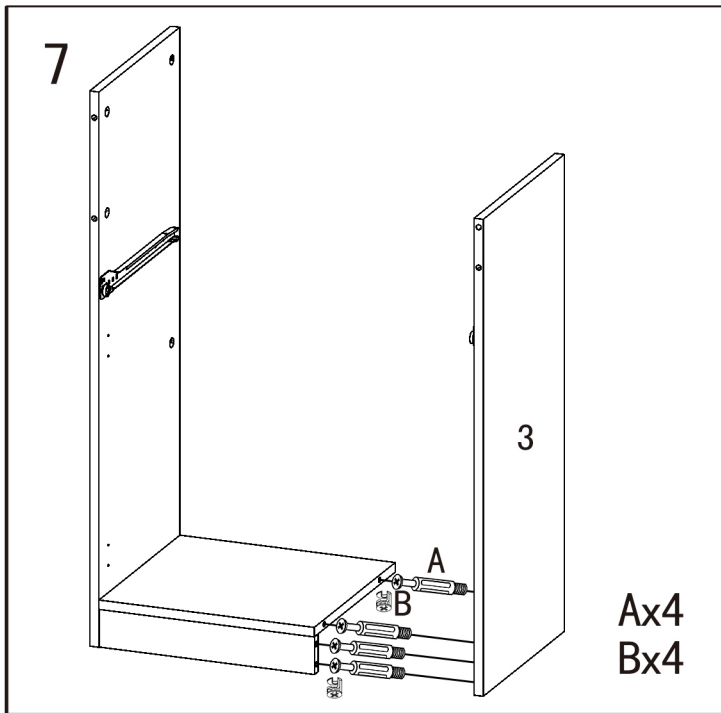
5

Installation method of three in one rod and buckle

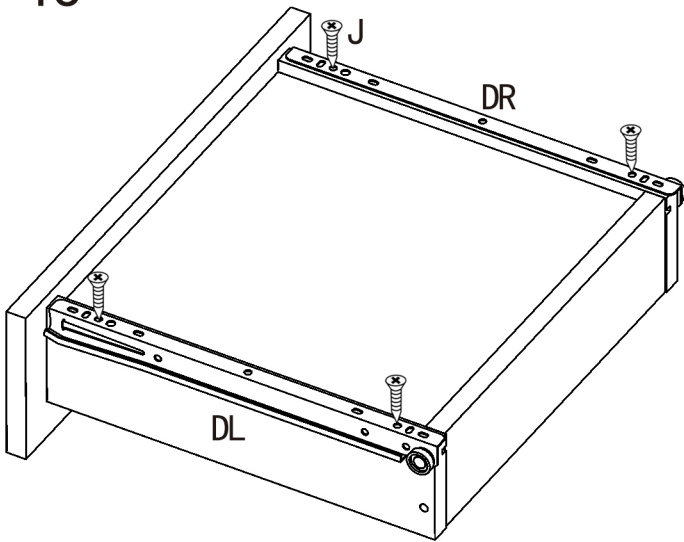


6



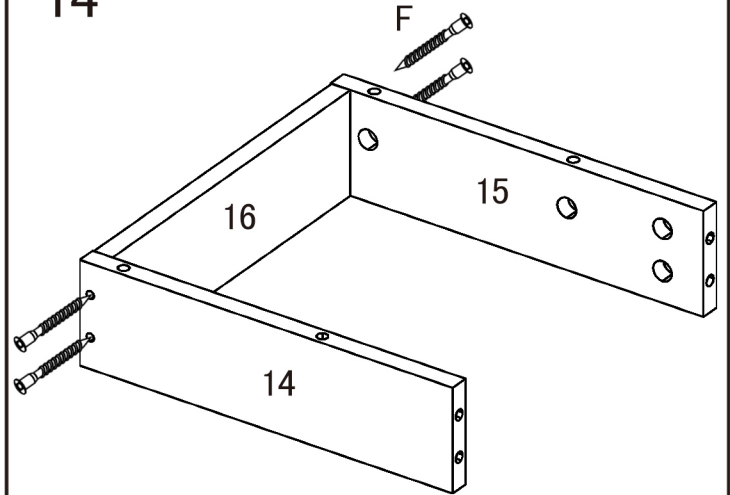


13



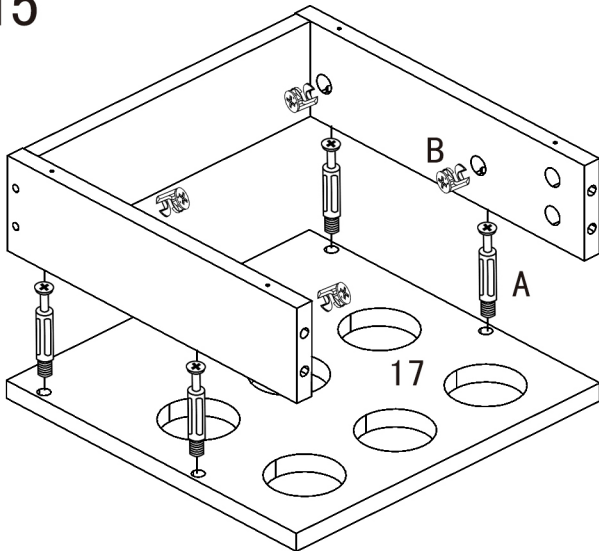
DLx1 DRx1 Jx4

14



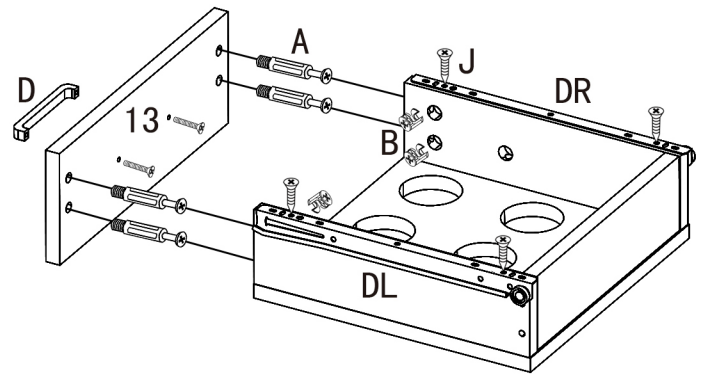
Fx4

15



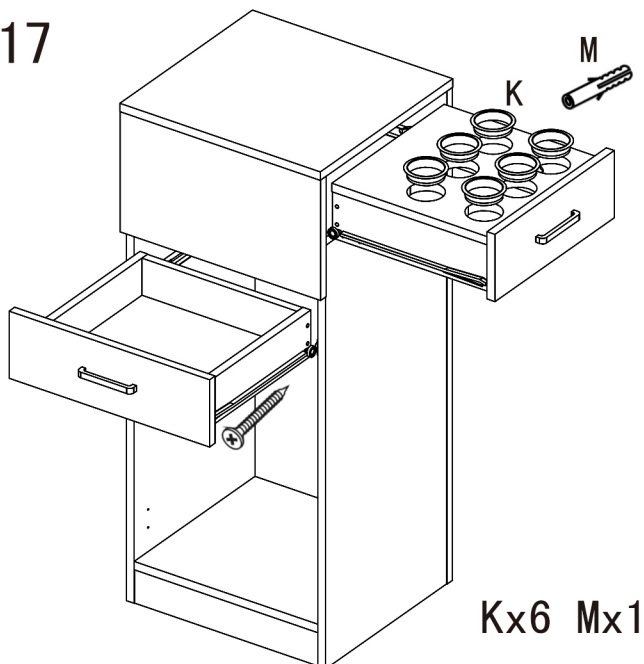
Ax4 Bx4

16



Dx1 Ax4 Bx4 Jx4 DRx1 DLx1

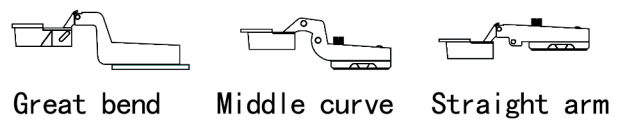
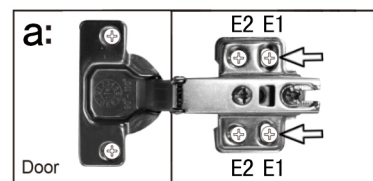
17



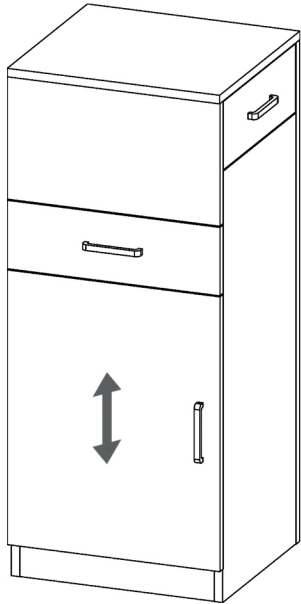
Kx6 Mx1

18

Hinge adjustment
To facilitate the adjustment, install the E1 screw first, and then install the E2 screw.



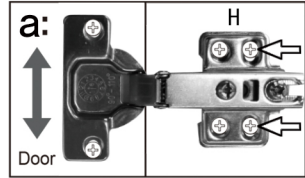
19



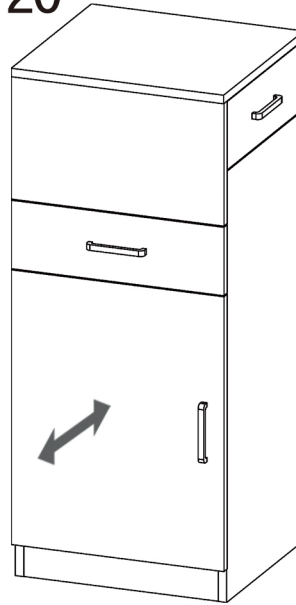
Hinge adjustment

a: To move doors up or down: loosen screws shown and move doors to suit.

Once doors are aligned, re-tighten Screws H



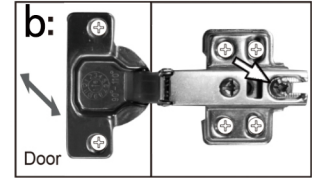
20



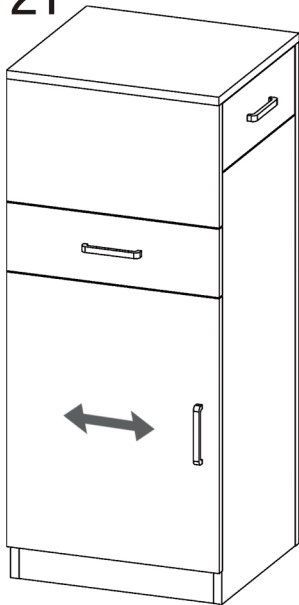
Hinge adjustment

b: To move doors in or out: loosen screw shown and move doors to suit.

Re-tighten screws



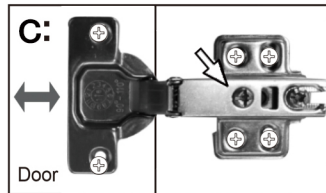
21



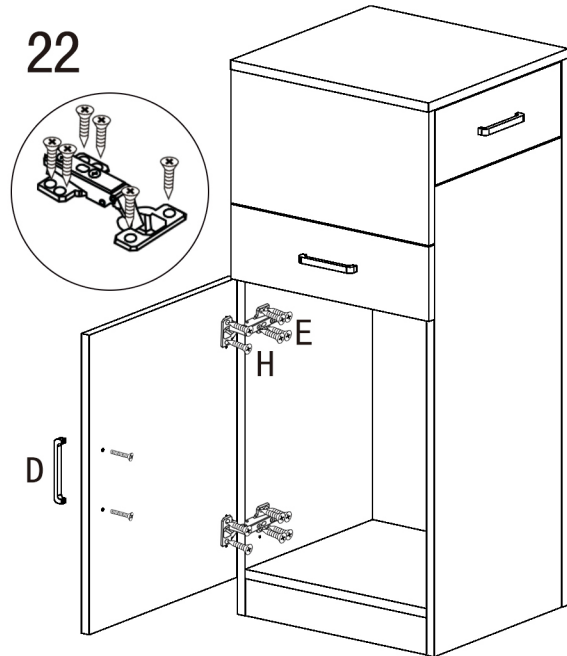
Hinge adjustment

c: To move doors left or right: loosen screw shown and move doors to suit.

Re-tighten screws



22



Hx2
Ex12
Dx1

23

