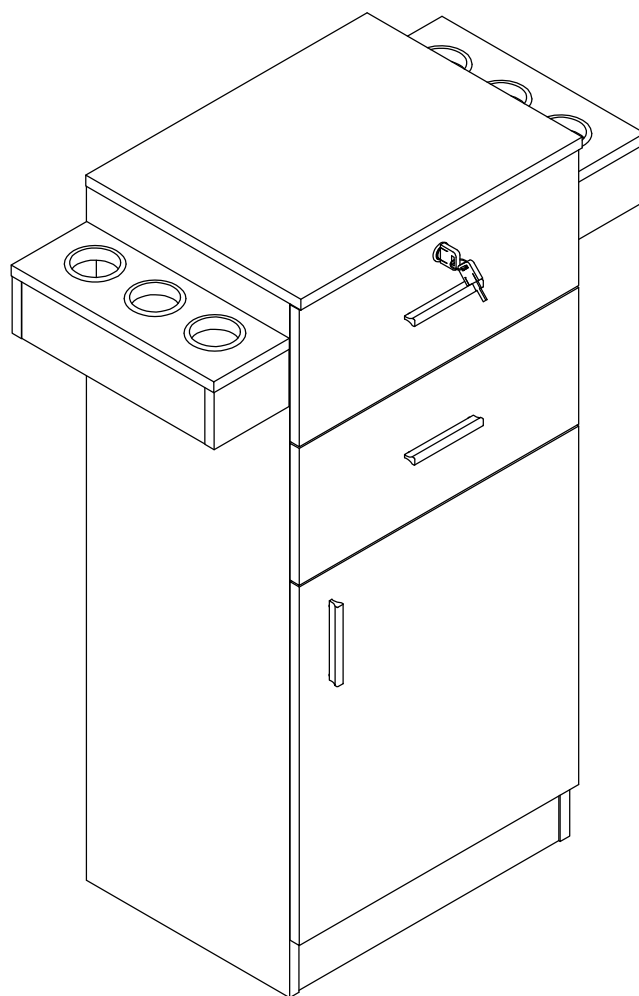


HAIR STYLING STATION

USER MANUAL



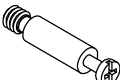
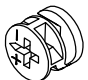



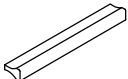
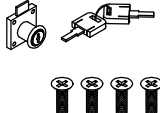
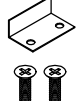



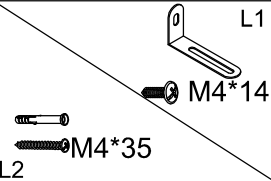

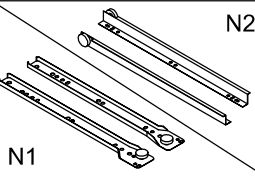
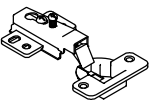
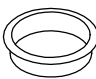
⚠ WARNING

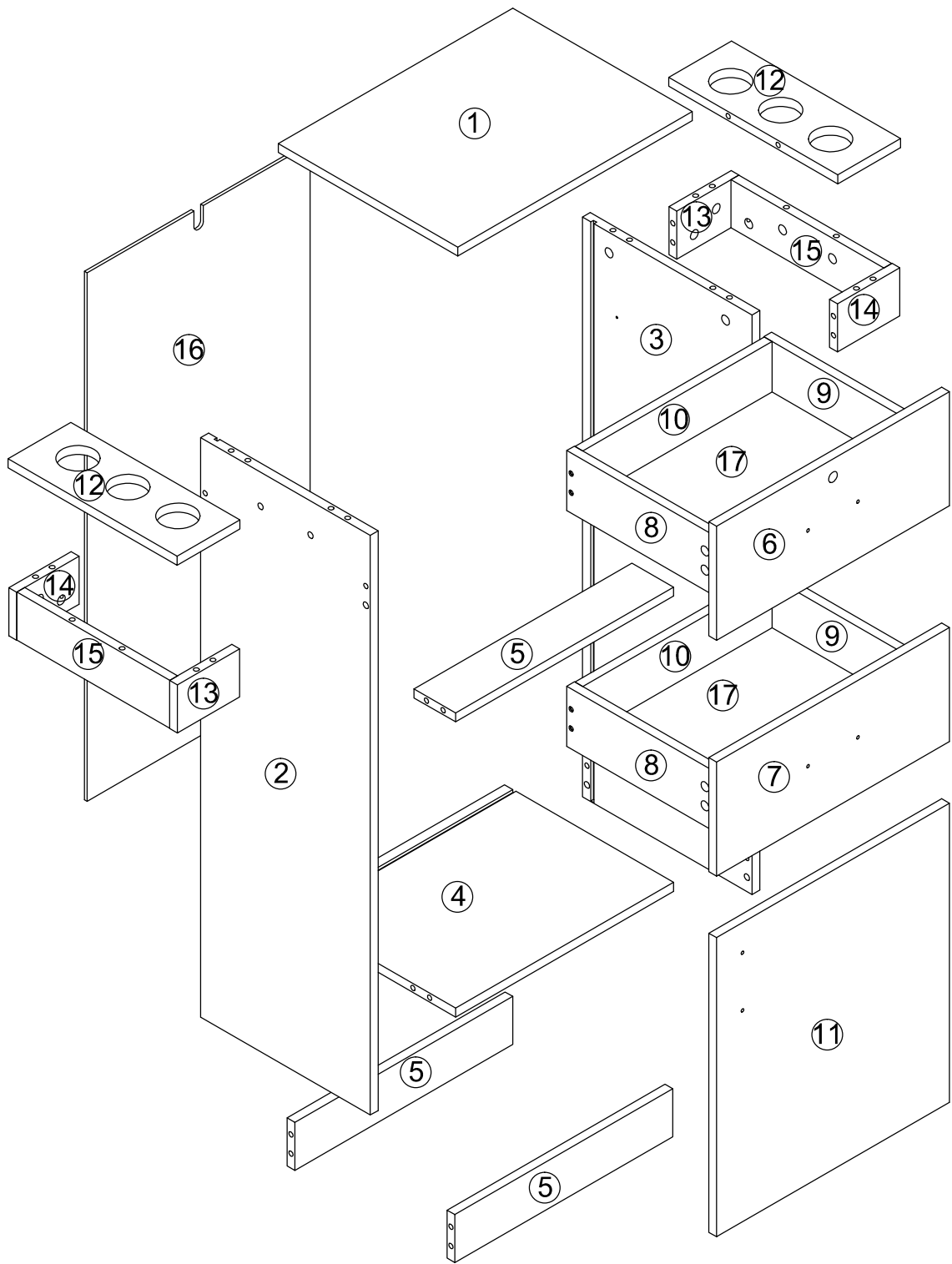


Children have died from furniture tipover. To reduce the risk of furniture tipover:

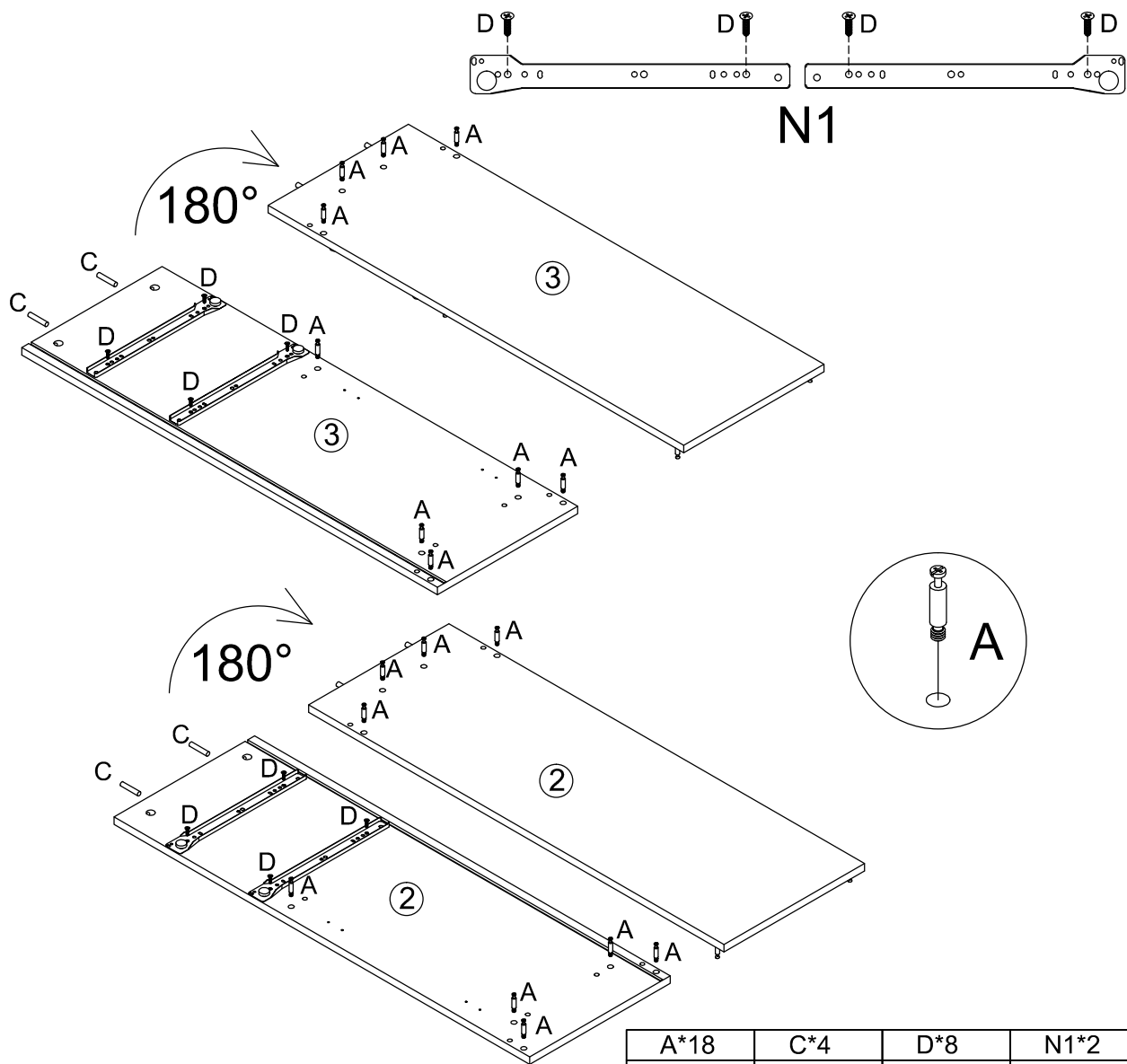
- ALWAYS install tipover restraint provided.
- NEVER put a TV on this product.
- NEVER allow children to stand, climb or hang on drawers, doors, or shelves.
- NEVER open more than one drawer at a time.
- Place heaviest items in the lowest drawers.
- Do not defeat or remove the drawer interlock system.





*This is a permanent label.
Do not remove!*

		 Ø8*40	 M3.5*14	 M4*35
A*42	B*42	C*26	D*36	E*8
 M4*18	 M3.5*16	 M3*14		
F*3	G*1	H*1	I*2	J*4
	 L1 M4*14 L2 M4*35	 Ø20	 N1 N2	
K*8	L*1	M*8	N*2	O*2
				
P*6				

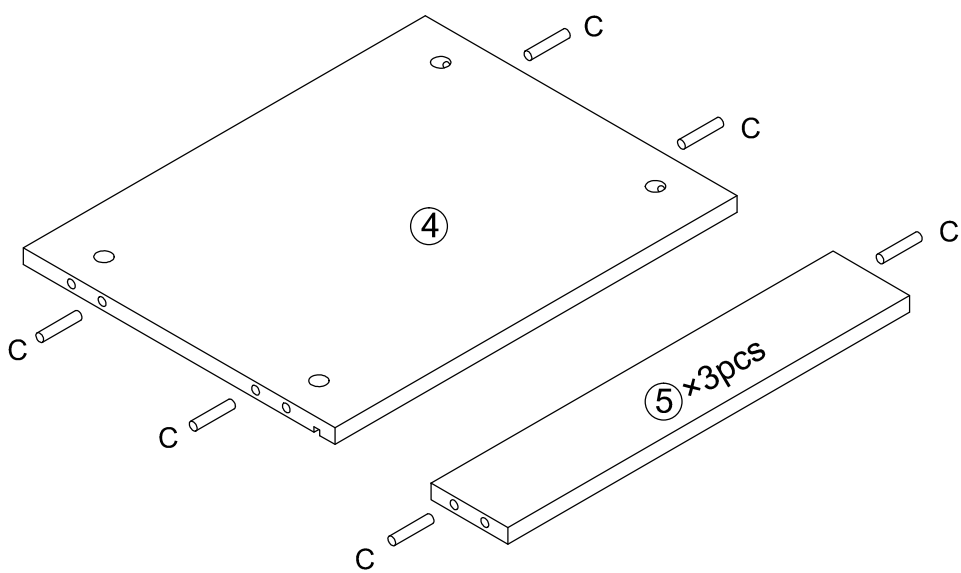



1



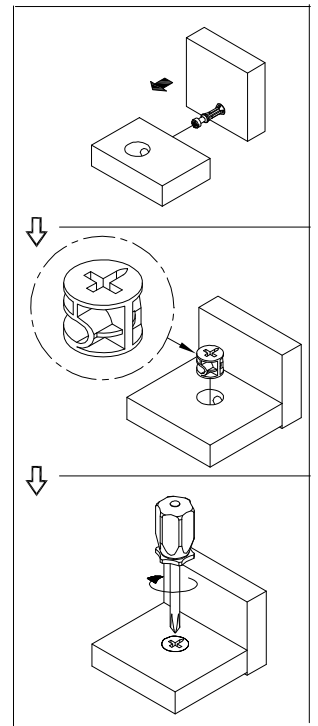
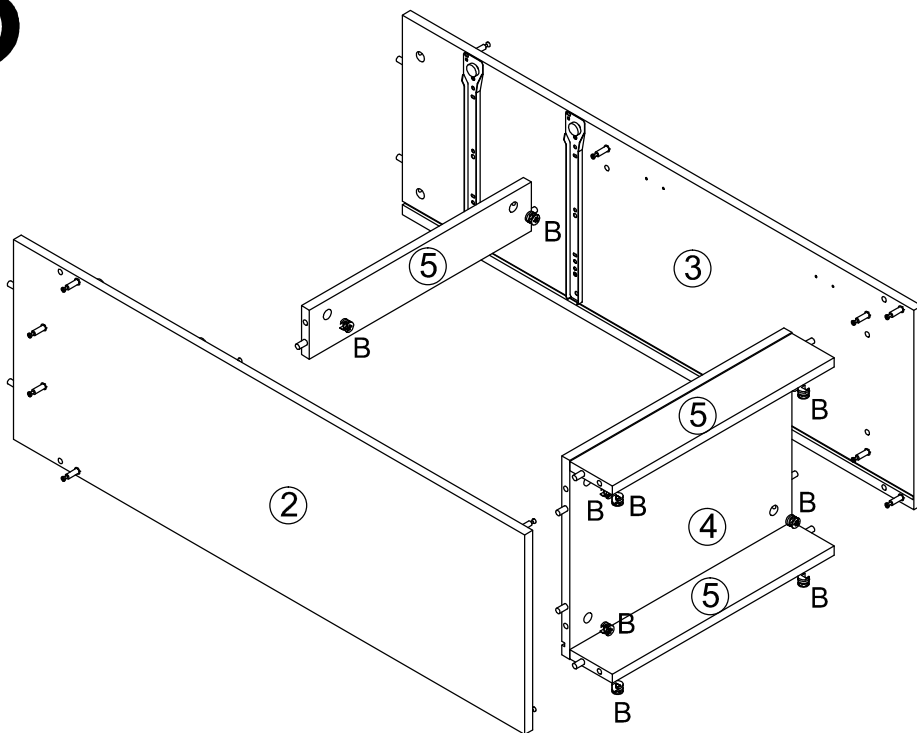
A*18	C*4	D*8	N1*2
	 Ø8*40	 M3.5*14	

2



C*10
 Ø8*40

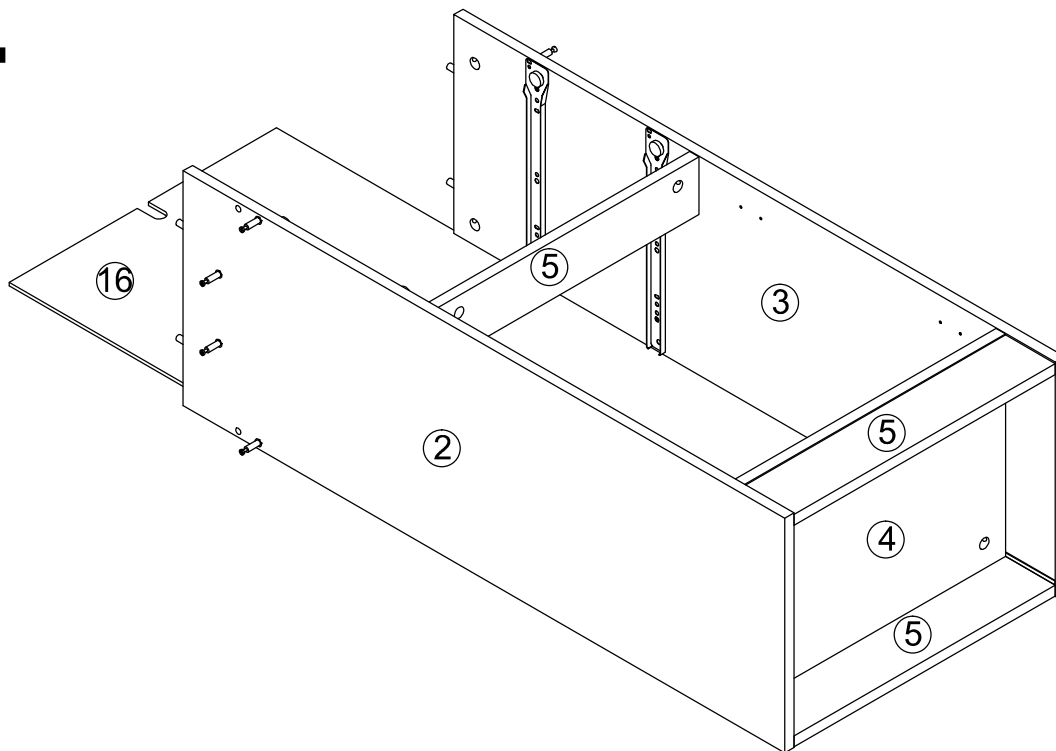
3



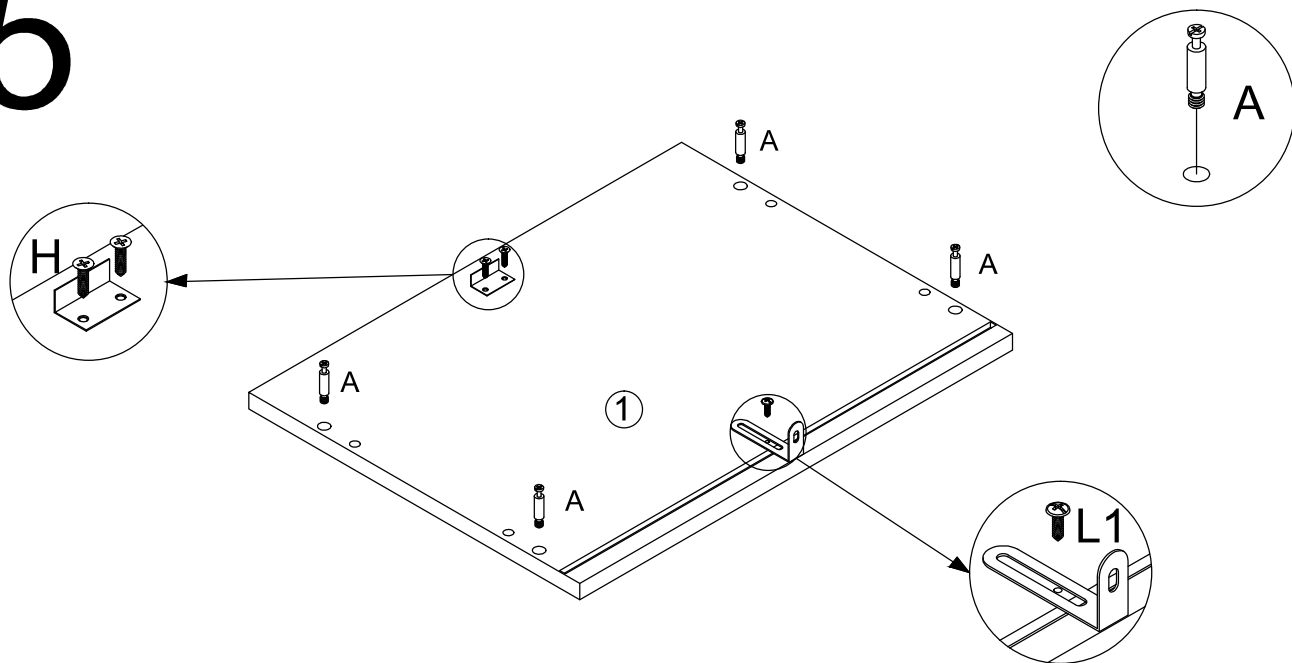
B*10






4

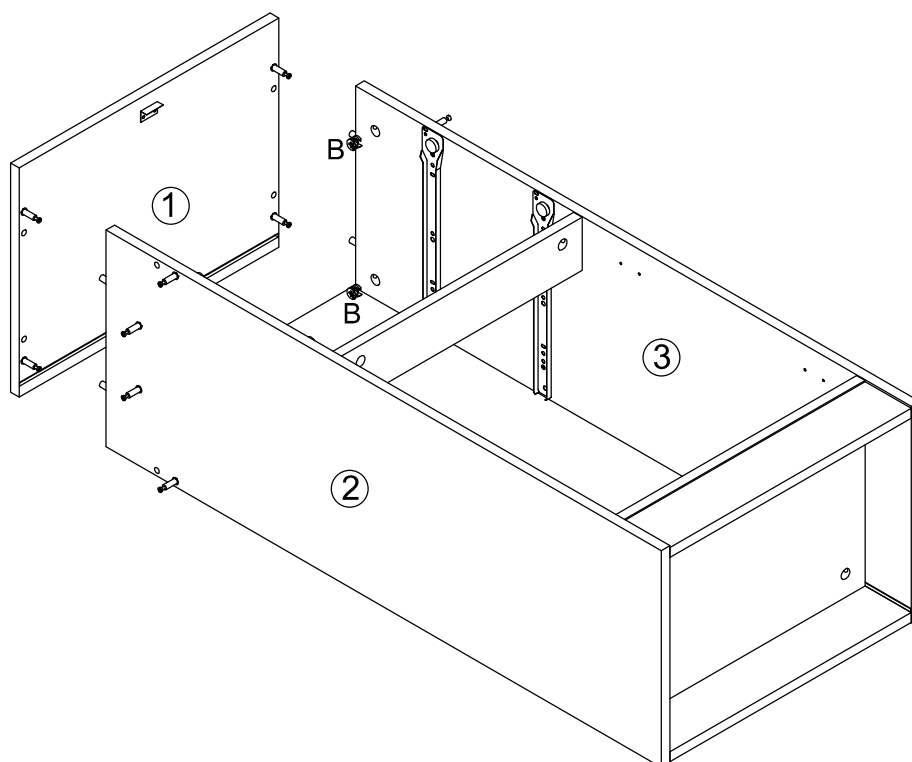



5



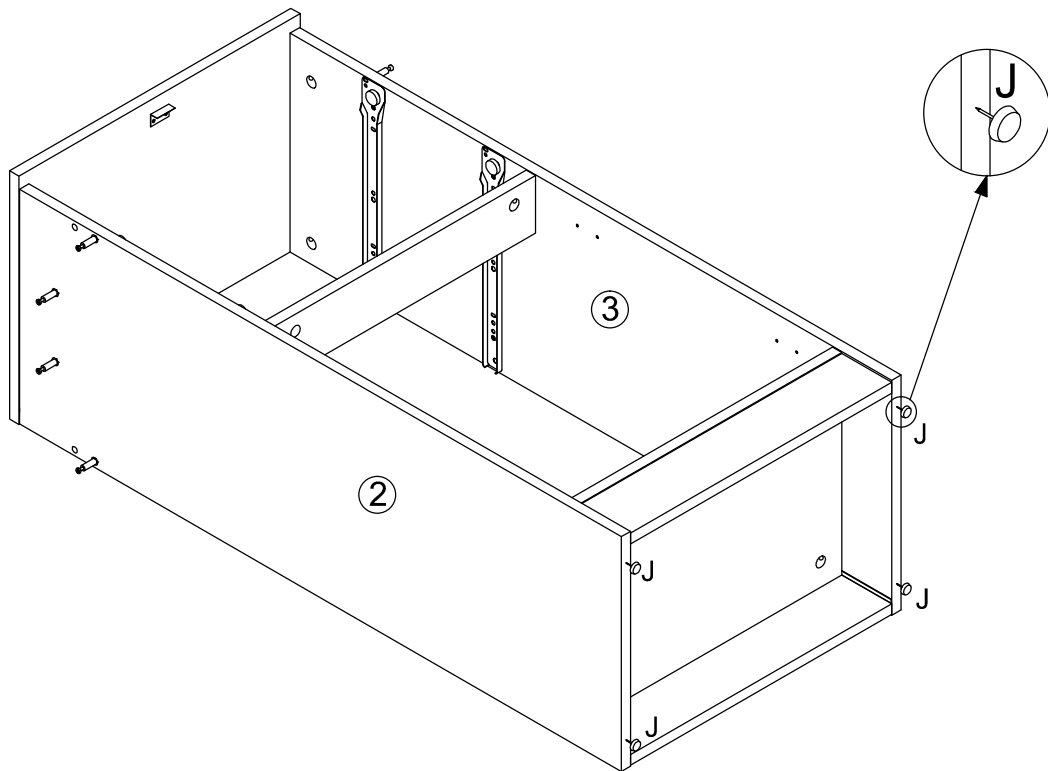
A*4	H*1	L1*1
	 M3*14	 L1 M4*14


6



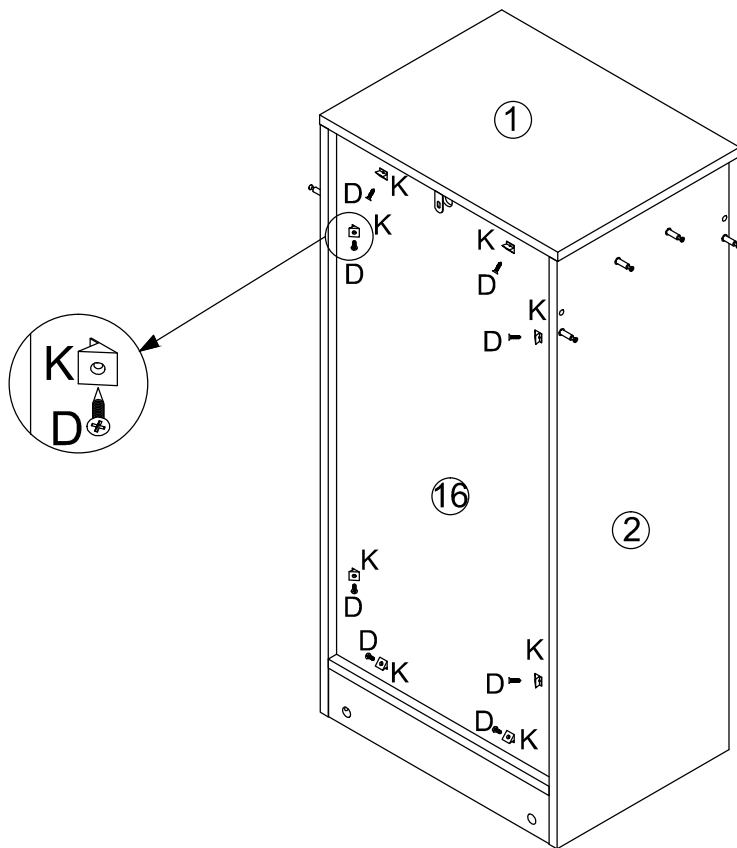
B*4




7



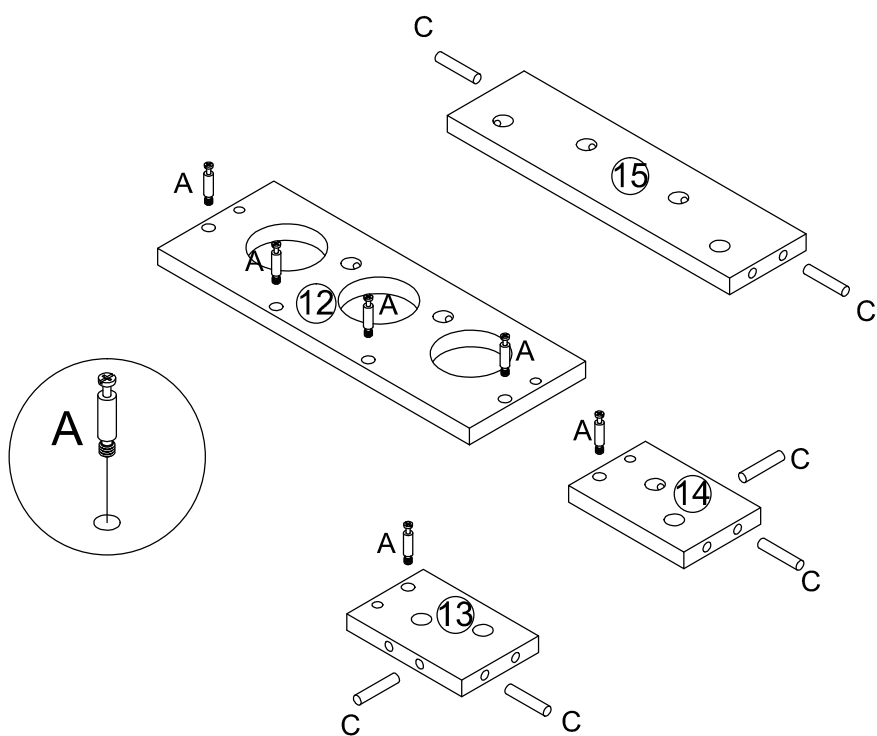
J*4


8





D*8	K*8
 M3.5*14	

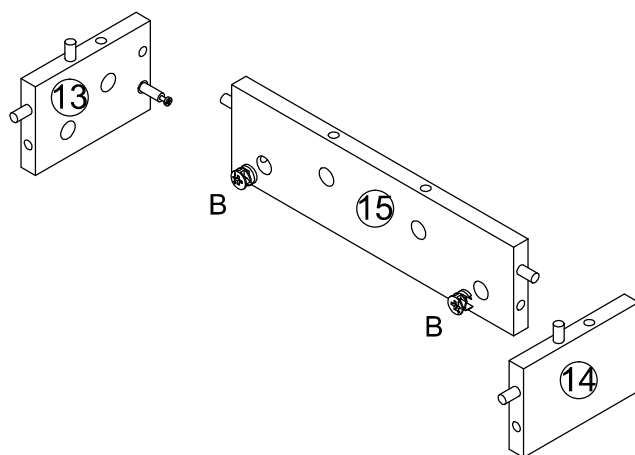
9




×2pcs

A*12	C*12
	 Ø8*40

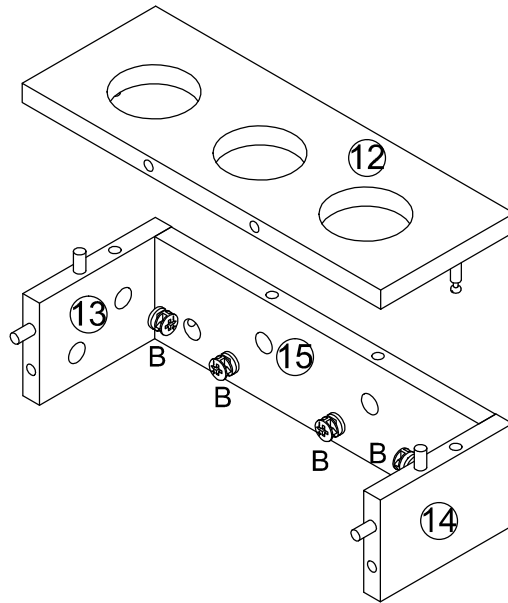
10




×2pcs

B*4


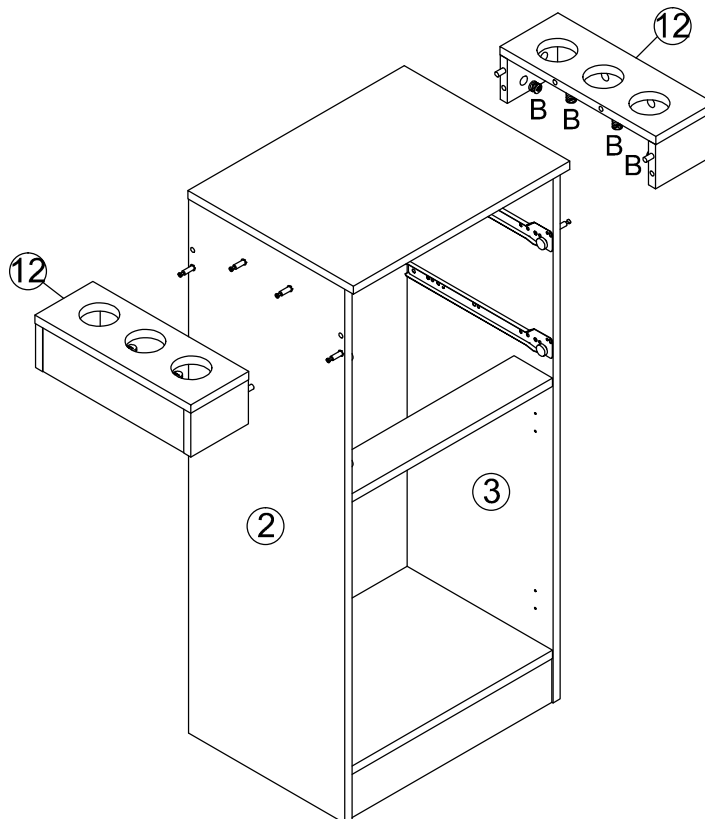
11




x2pcs

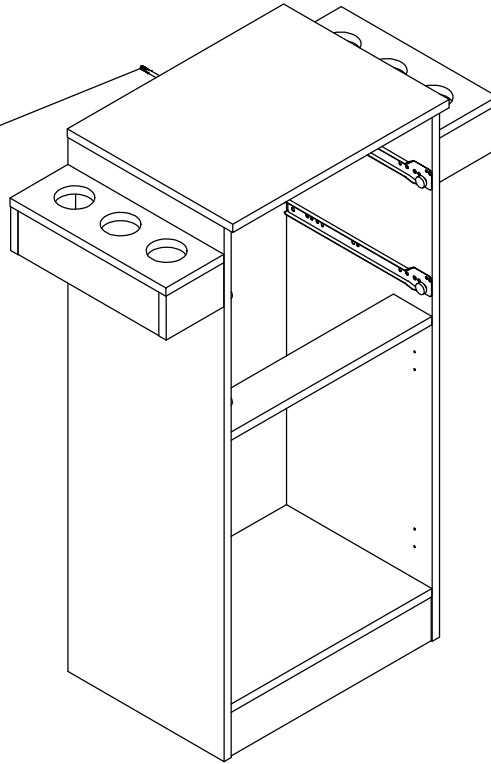
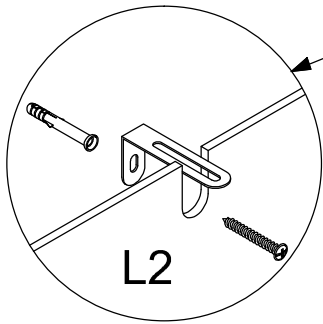
B*8



12



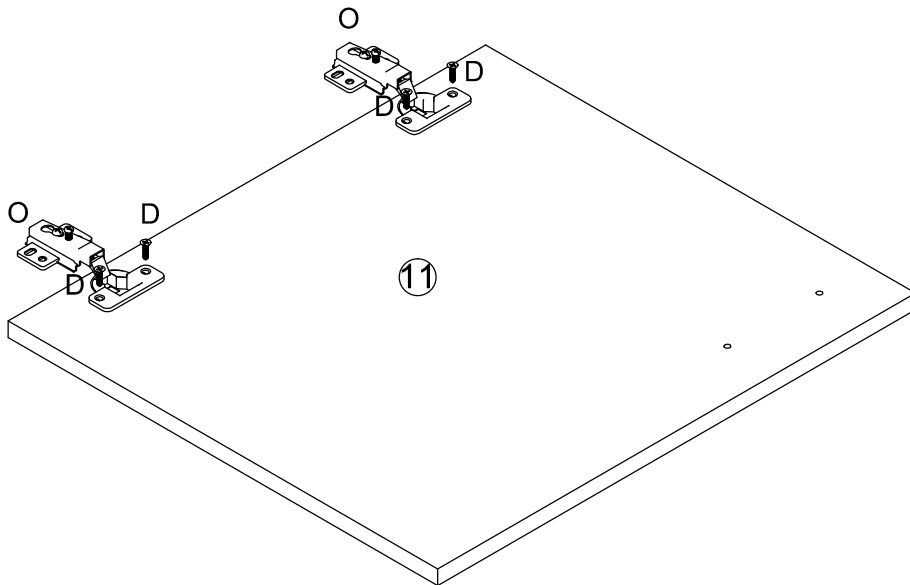
B*8




13



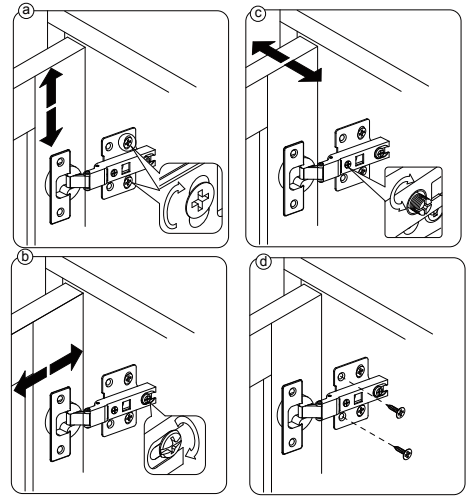
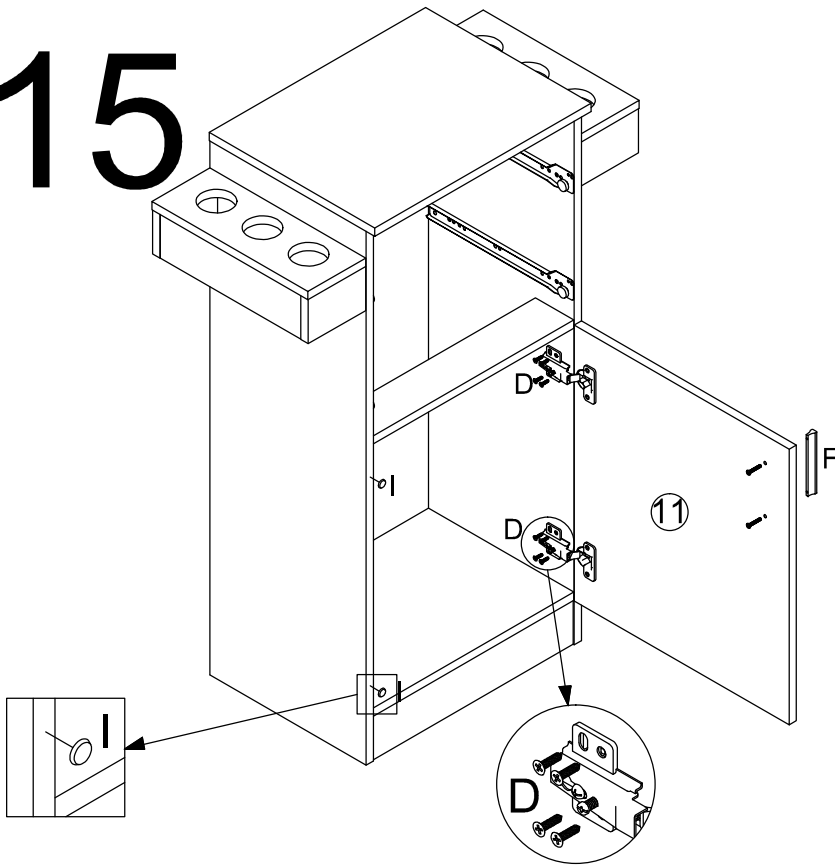
L2*1
 M4*35




14



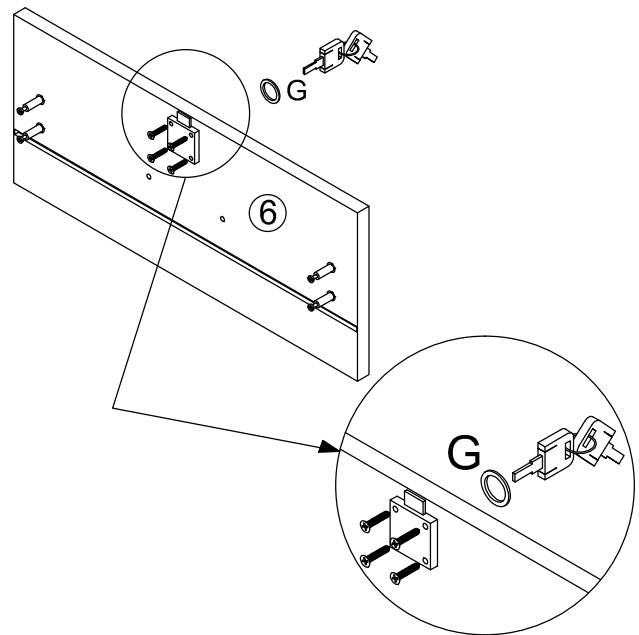
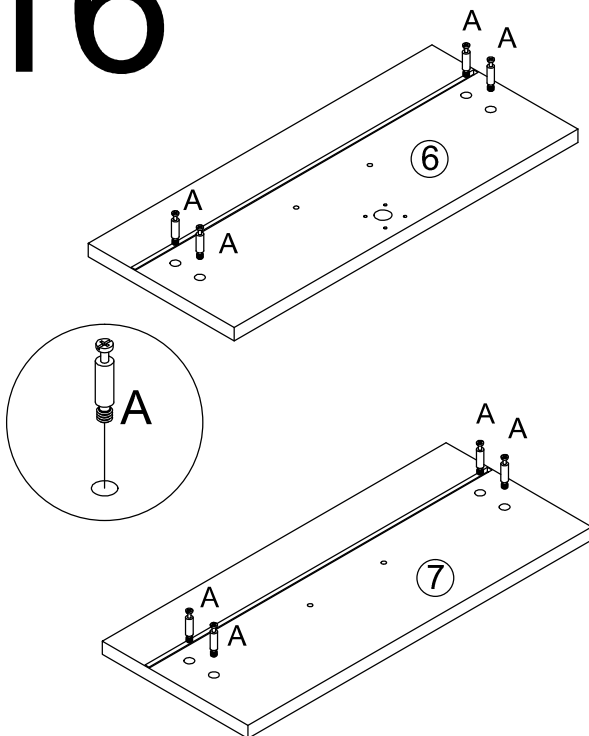
D*4	O*2
 M3.5*14	


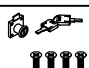
15



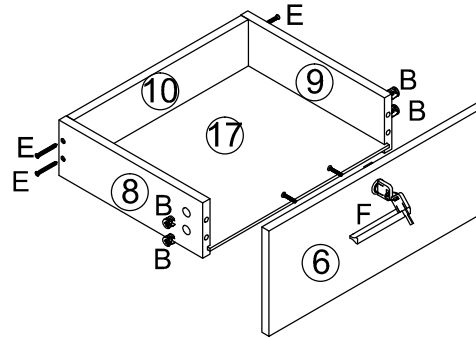
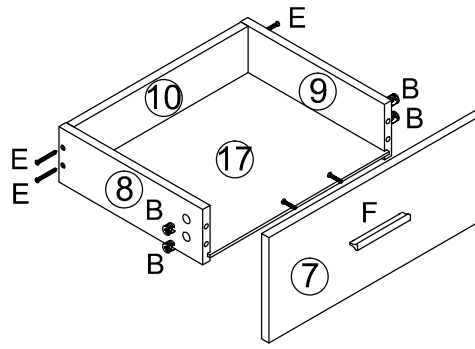
D*8	F*1	I*2
 M3.5*14	 M4*18	




16



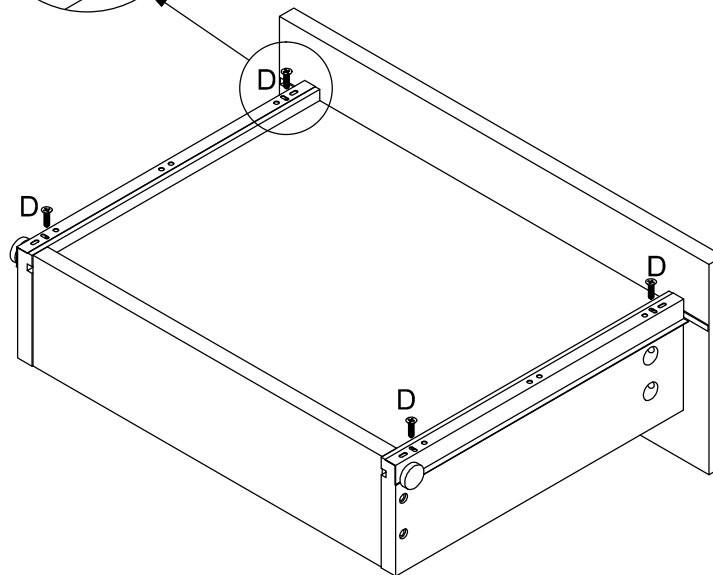
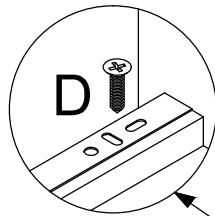
A*8	G*1
 M3.5*16	 M3.5*16

17





B*8	E*8	F*2
	 M4*35	 M4*18

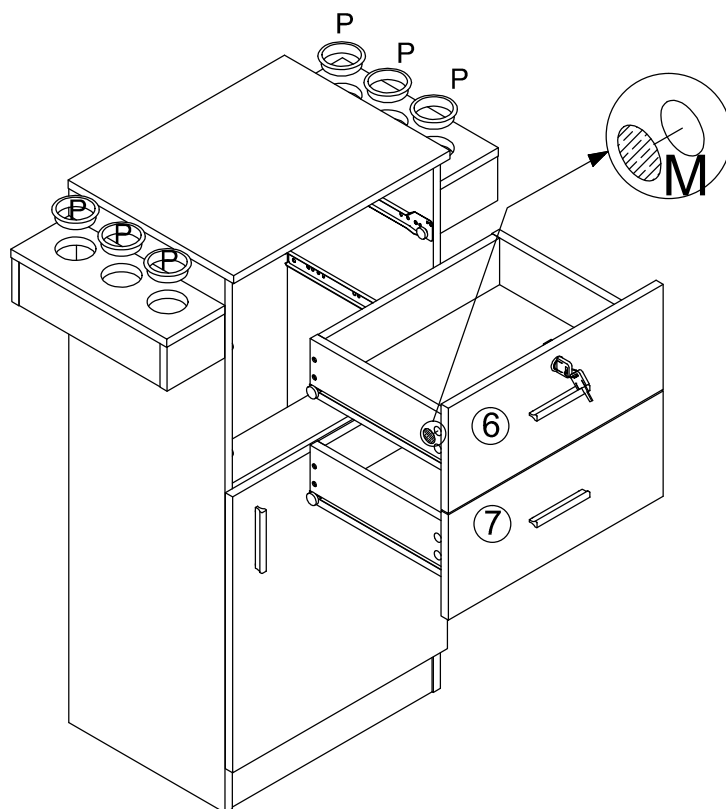
18





x2pcs

D*8	N2*2
 M3.5*14	

19



M*8	P*6
 Ø20	

20

