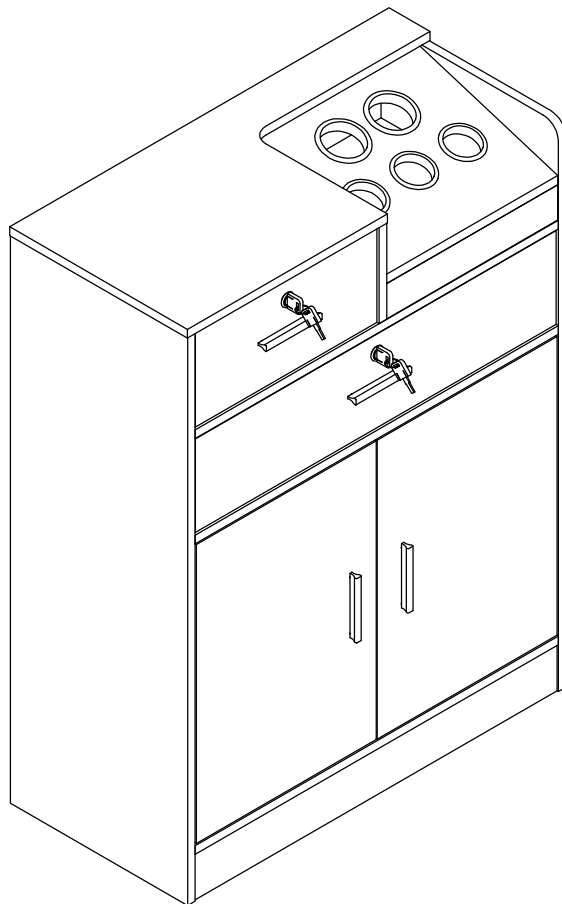


OmySalon

HAIR STYLING STATION

USER MANUAL



Thanks for purchasing OmySalon hair styling station. Please feel free to contact us if you have any problems with assembly or other after-sale issues. OmySalon customer service team is here to assist you. Email: support@omysalon.com; Website: www.omysalon.com. Please attach your user name or order ID so that we can serve you better.

⚠ WARNING

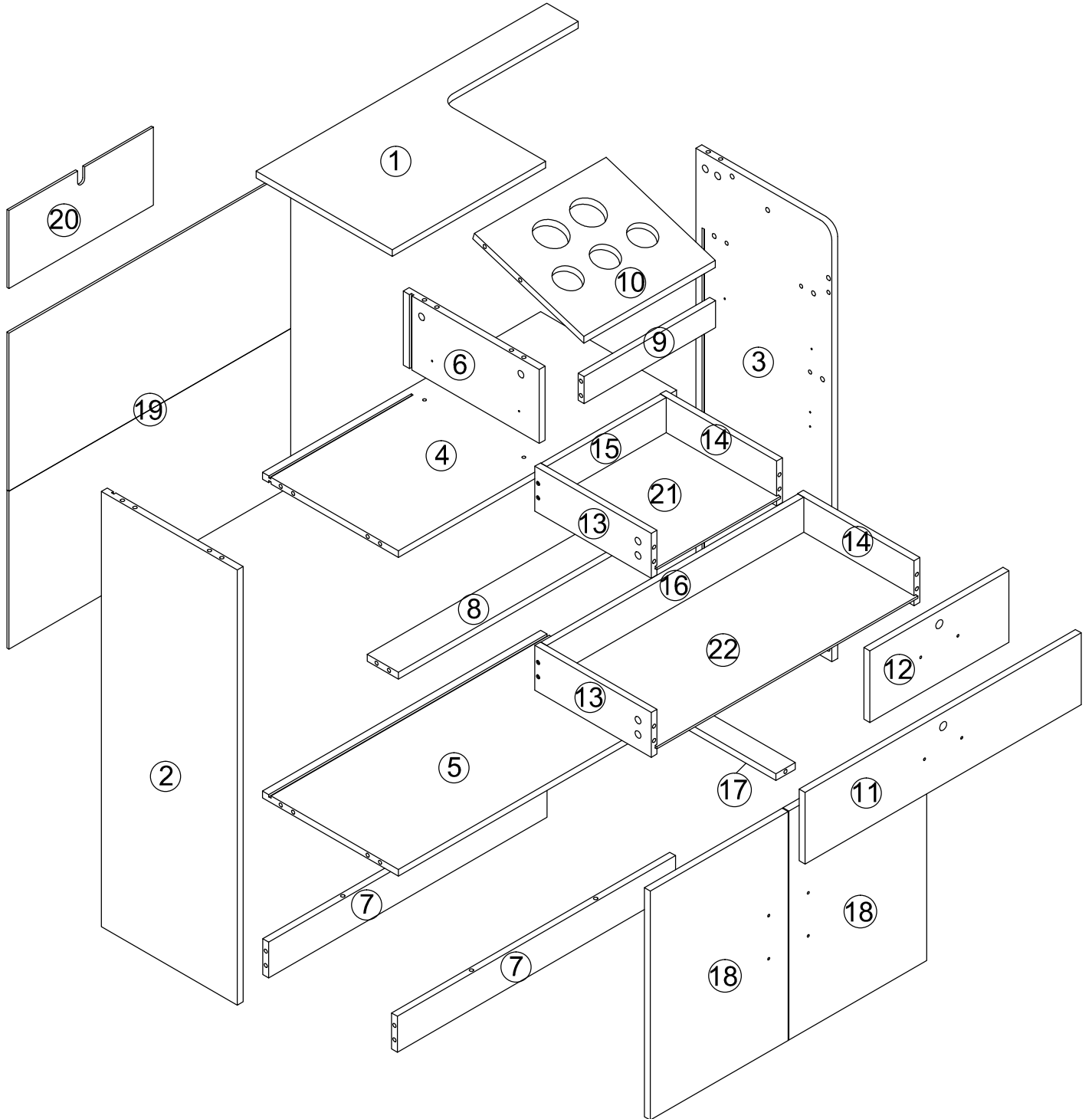


Children have died from furniture tipover. To reduce the risk of furniture tipover:

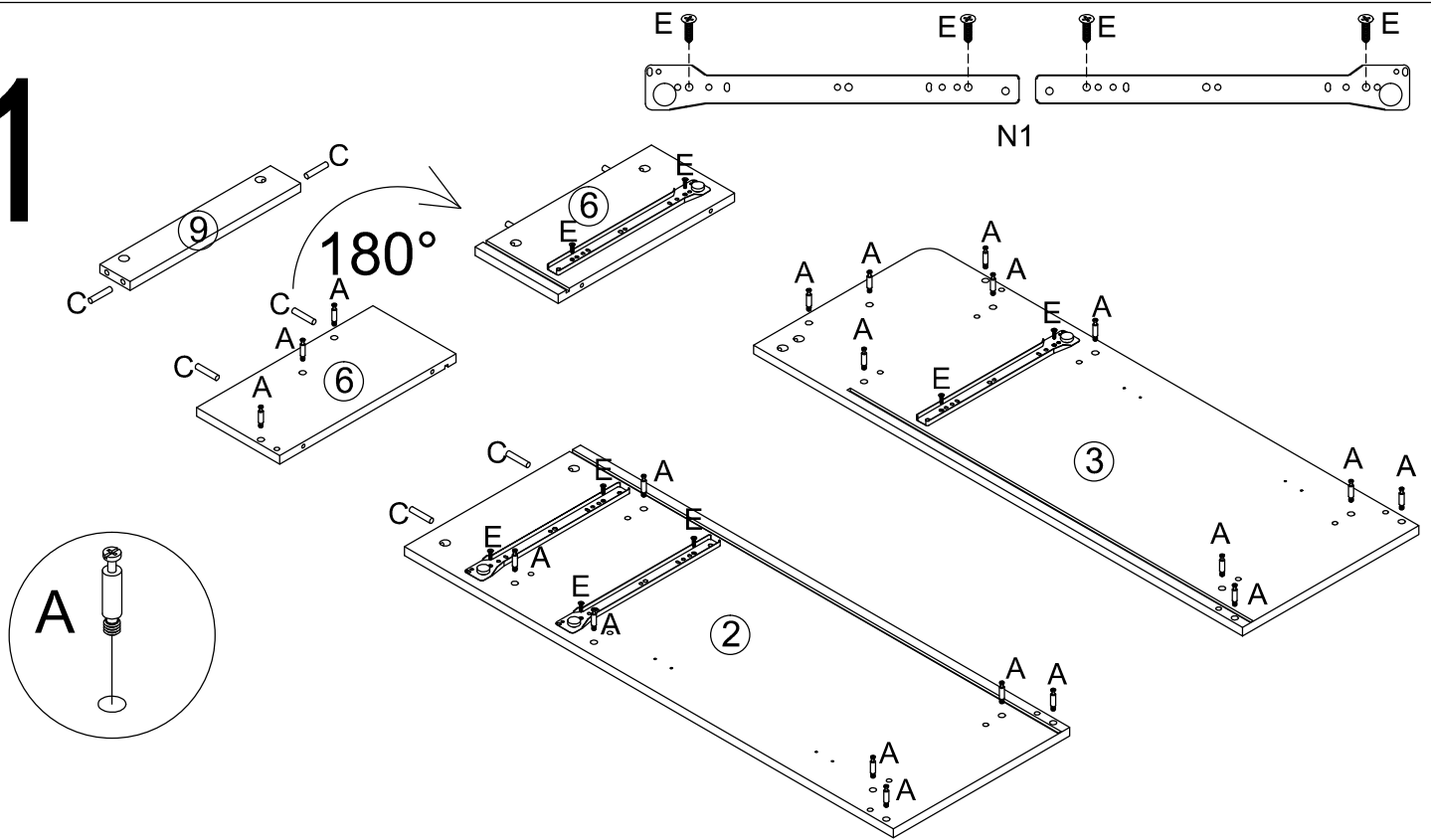
- ALWAYS install tipover restraint provided.
- NEVER put a TV on this product.
- NEVER allow children to stand, climb or hang on drawers, doors, or shelves.
- NEVER open more than one drawer at a time.
- Place heaviest items in the lowest drawers.
- Do not defeat or remove the drawer interlock system.



*This is a permanent label.
Do not remove!*

A*39	B*39	Ø8*40	M7*50	M3.5*14
M4*35	M4*18	M3.5*16	M3*14	
F*9	G*4	H*2	I*3	J*6
K*10	L*1	M*8	N*2	O*4
Ø60	Ø70			
P*3	Q*2			

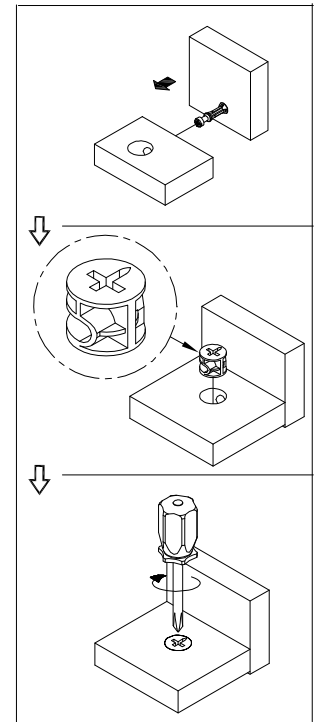
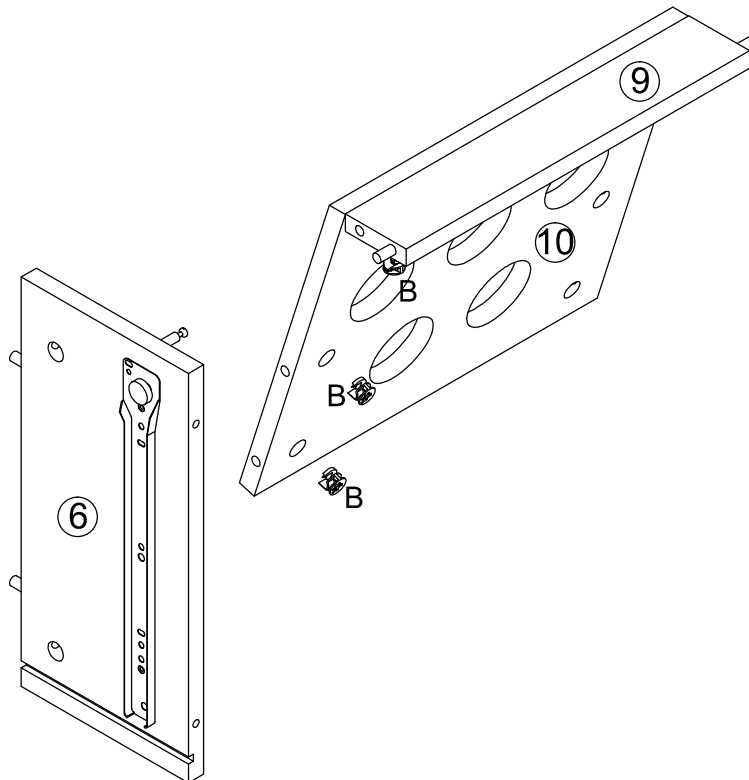



1



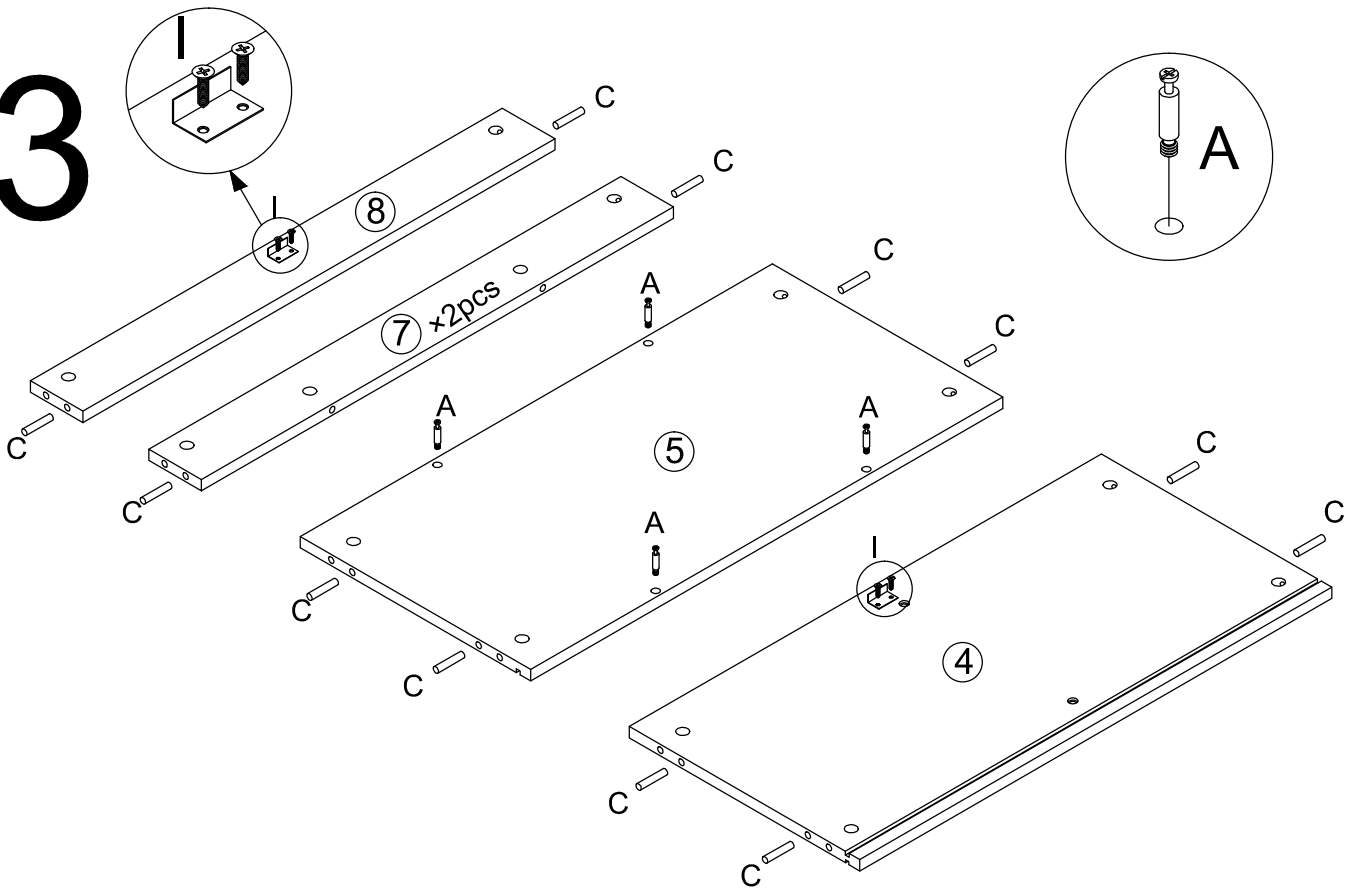
A*20	C*6	E*8	N1*2
	 Ø8*40	 M3.5*14	




2



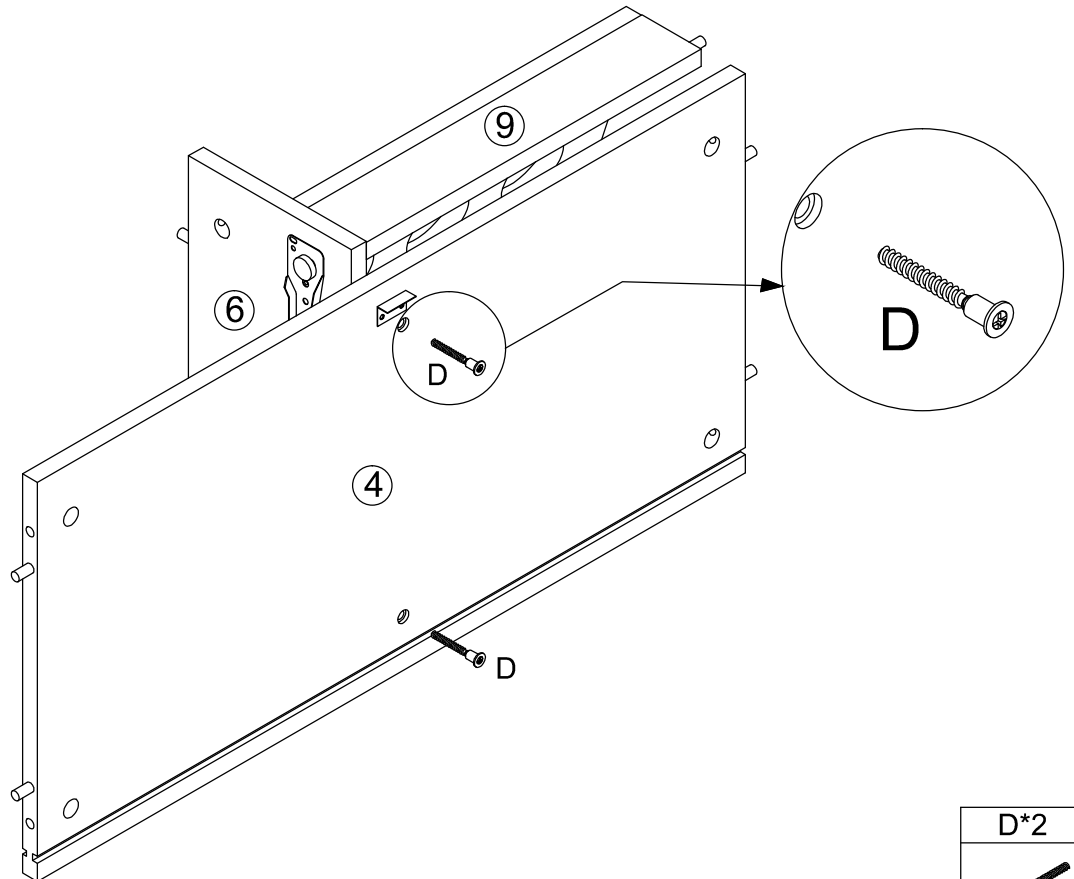
B*3



3



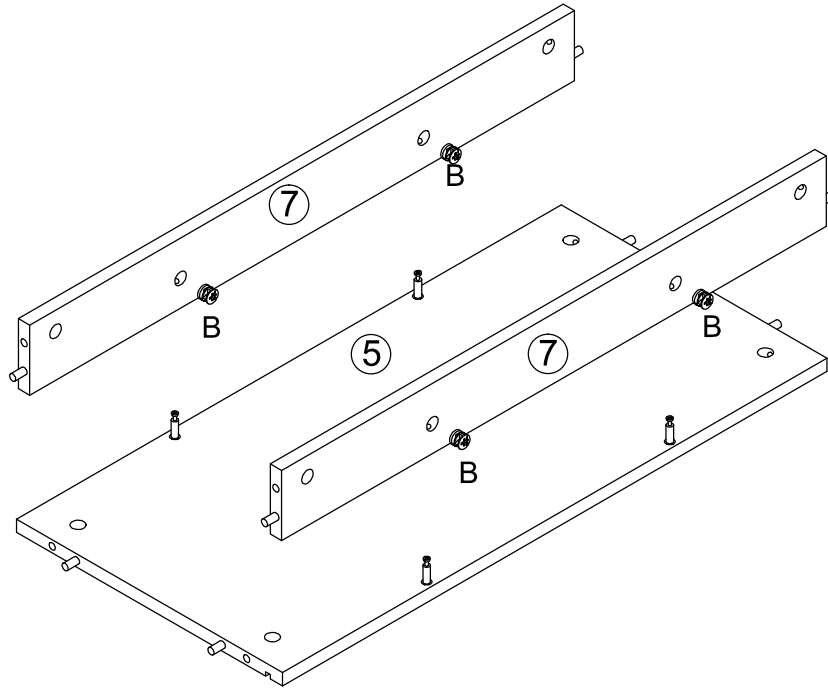
A*4	C*14	I*2
	 Ø8*40	 M3*14

4



D*2
 M7*50

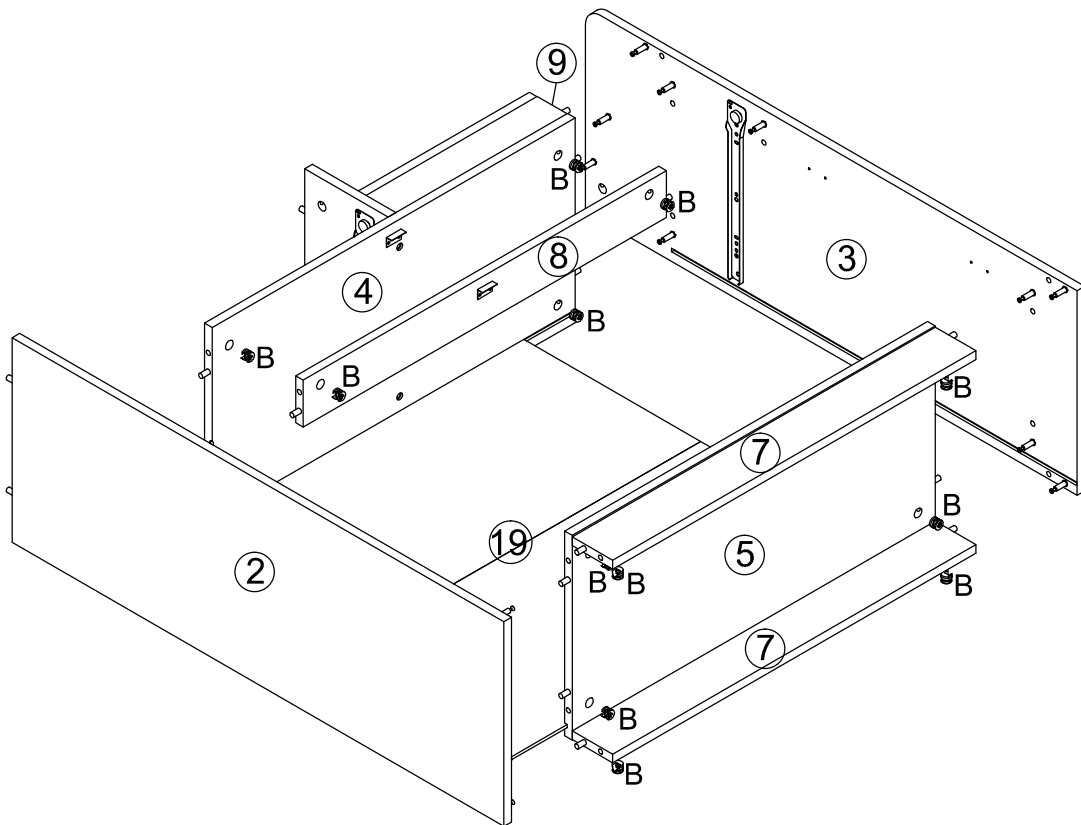
5



B*4



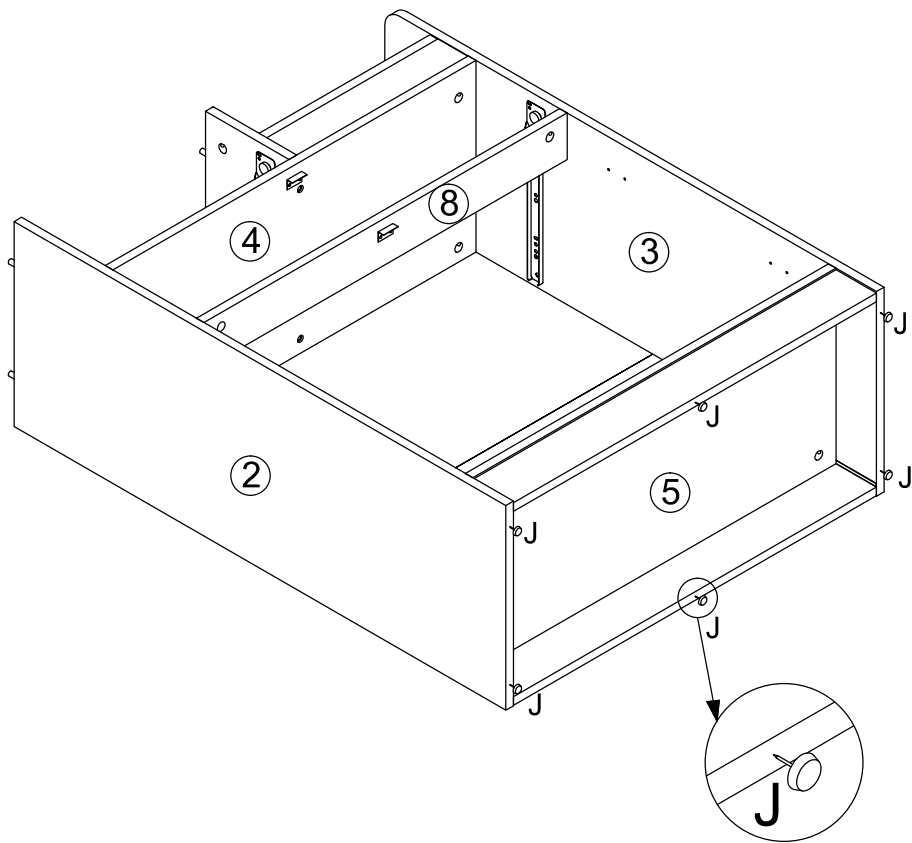
6




B*17

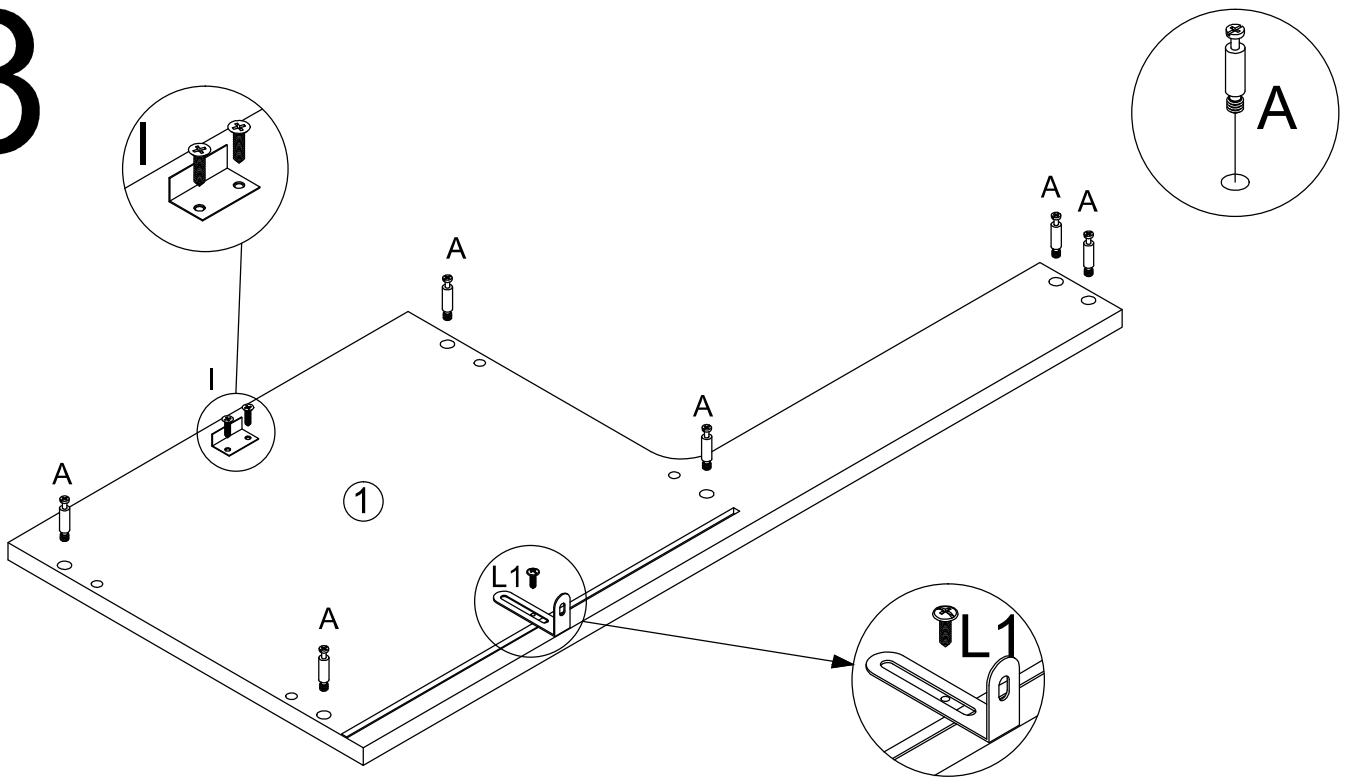





7



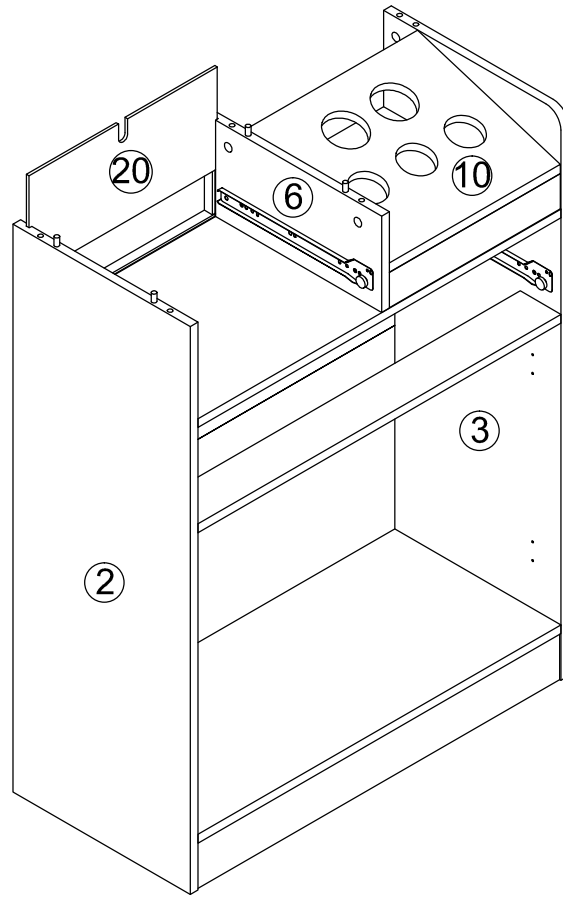
J*6


8

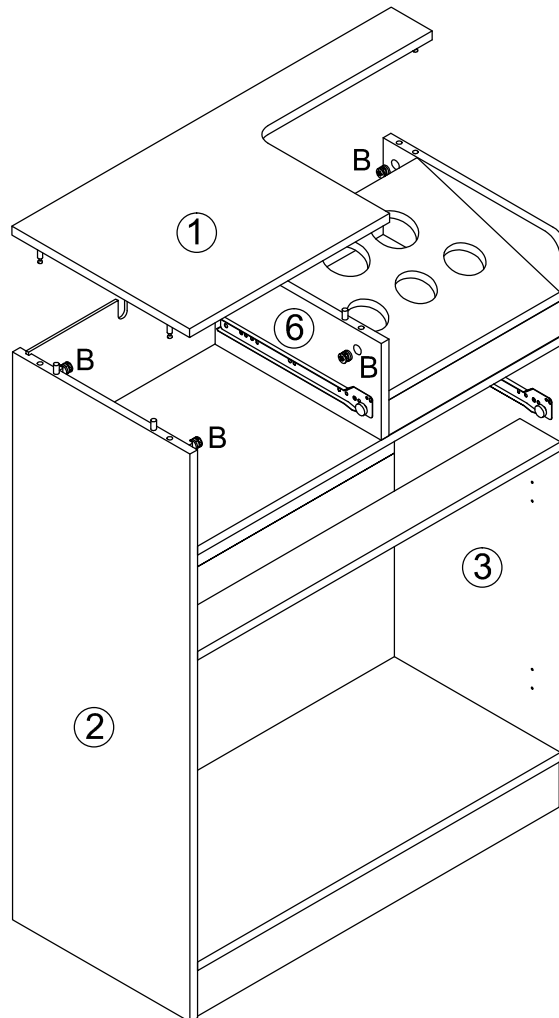


A*6	I*1	L1*1
	 M3*14	 M4*14

9



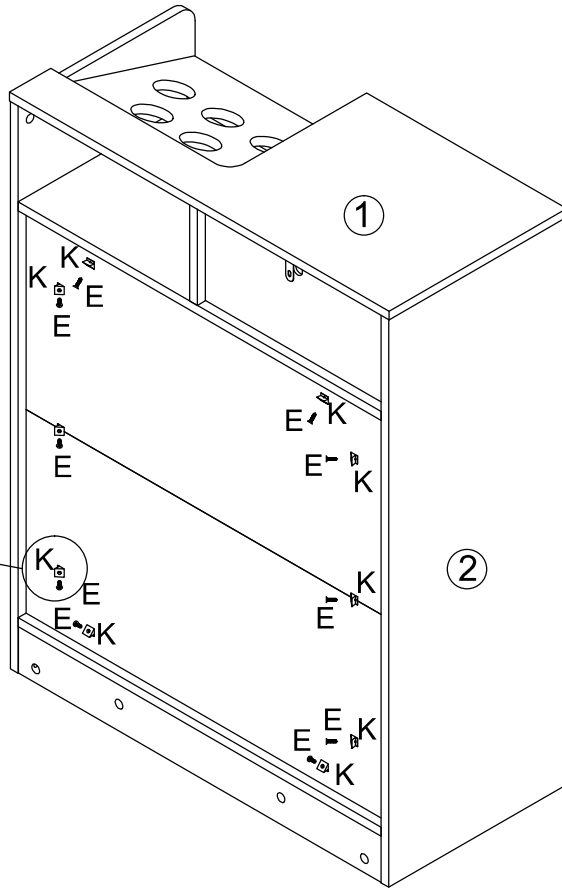
10





B*6

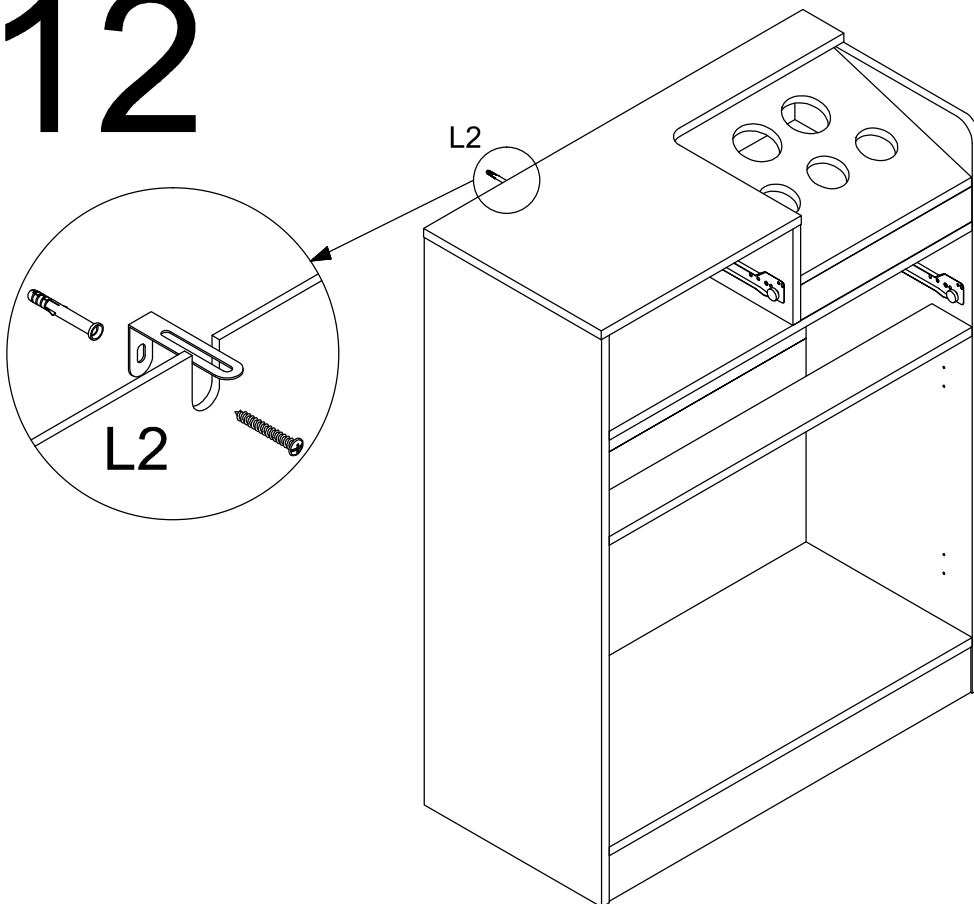




11



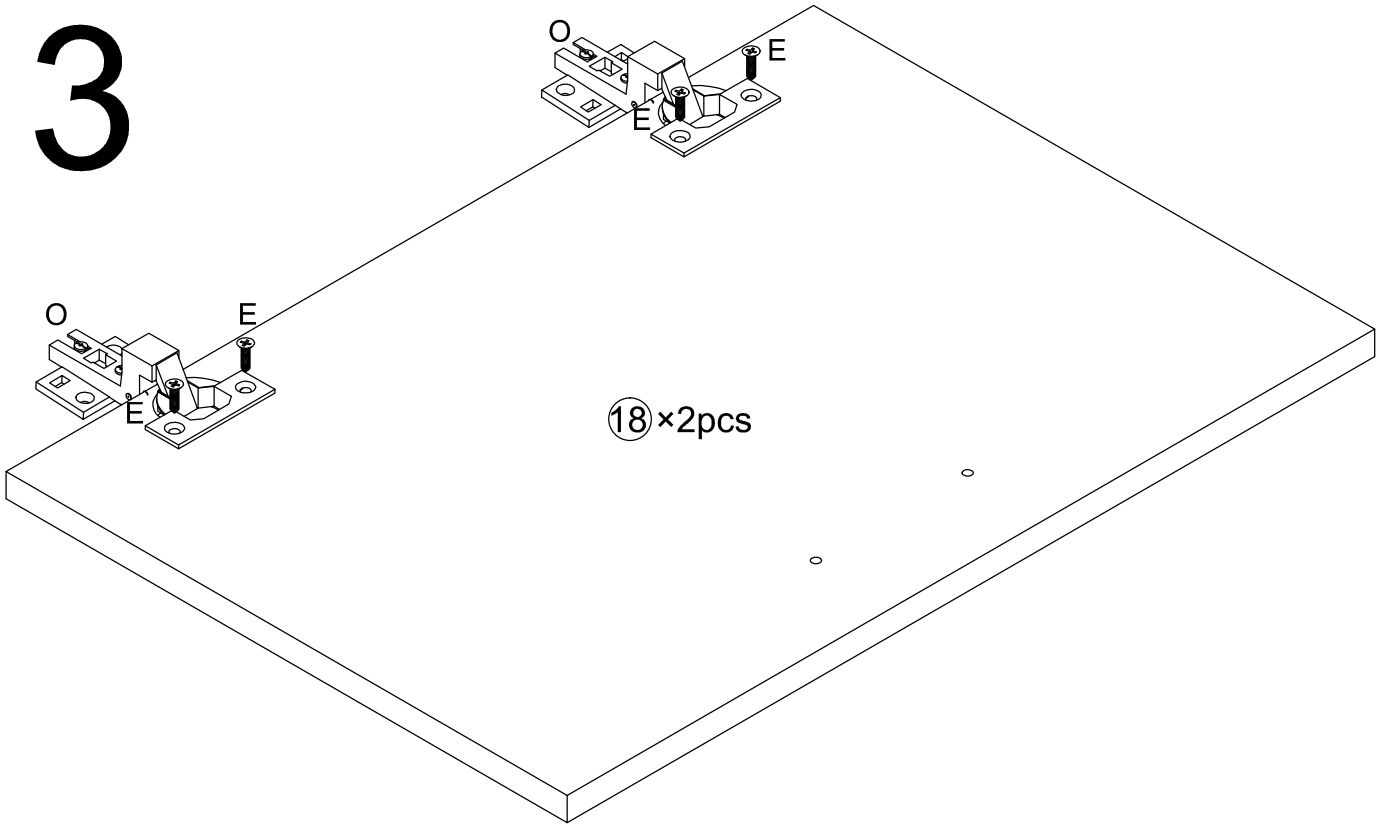
E*10	K*10
	
M3.5*14	



12



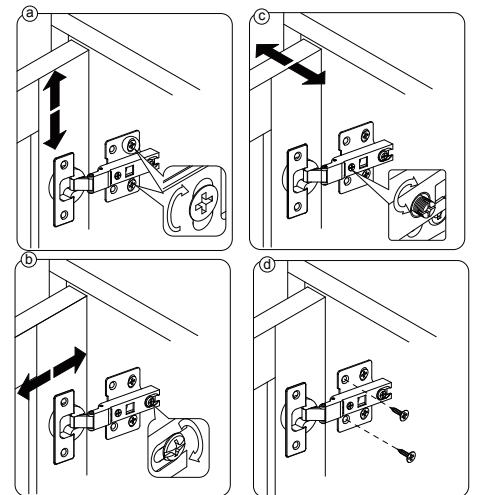
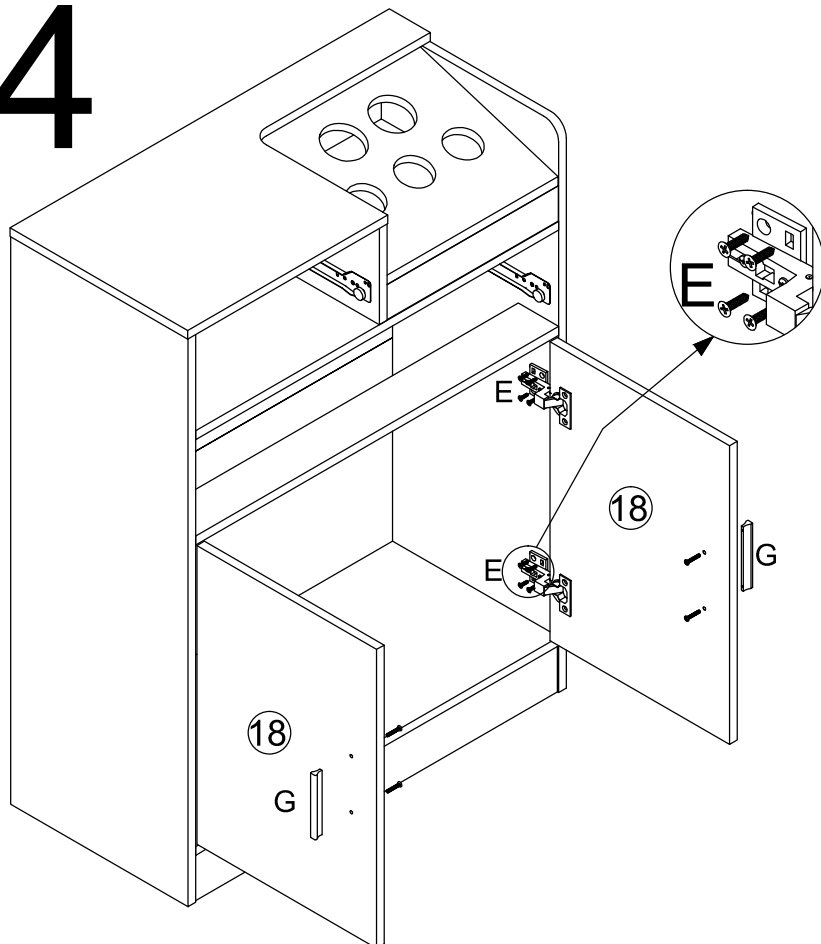
L2*1


M4*35



13



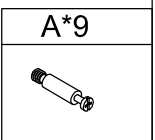
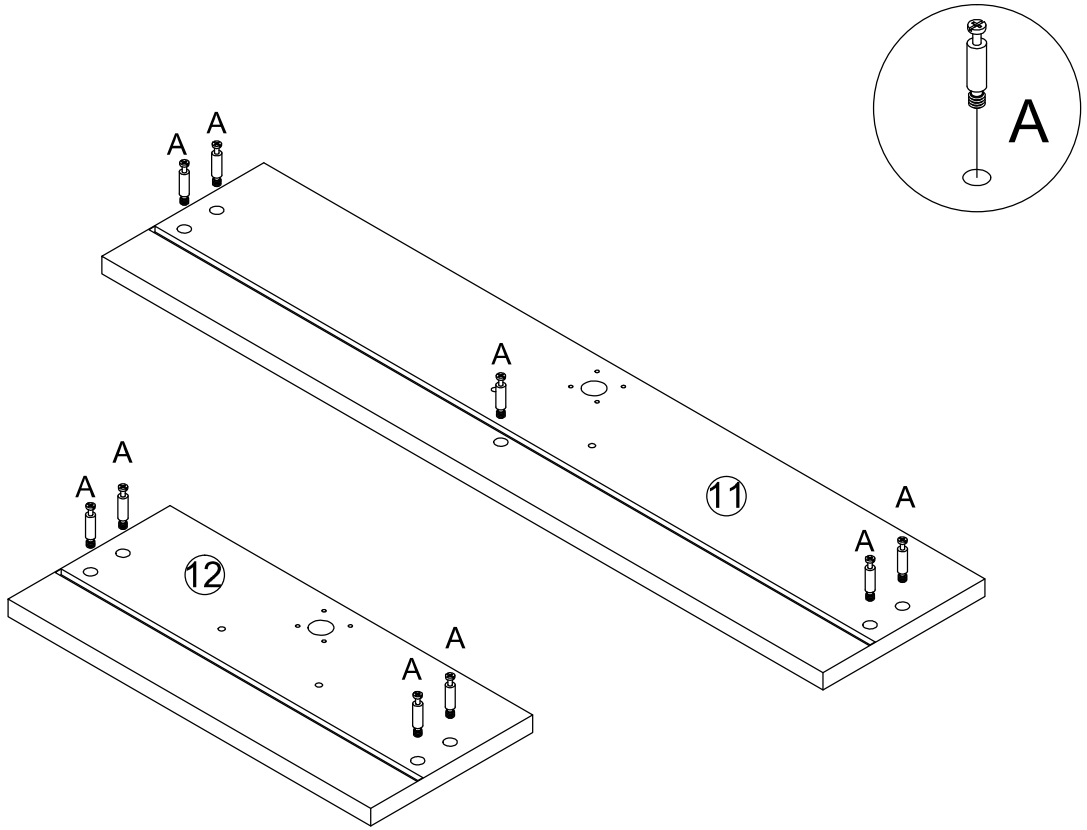
E*8	O*4
 M3.5*14	

14

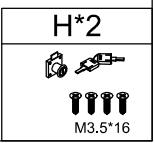
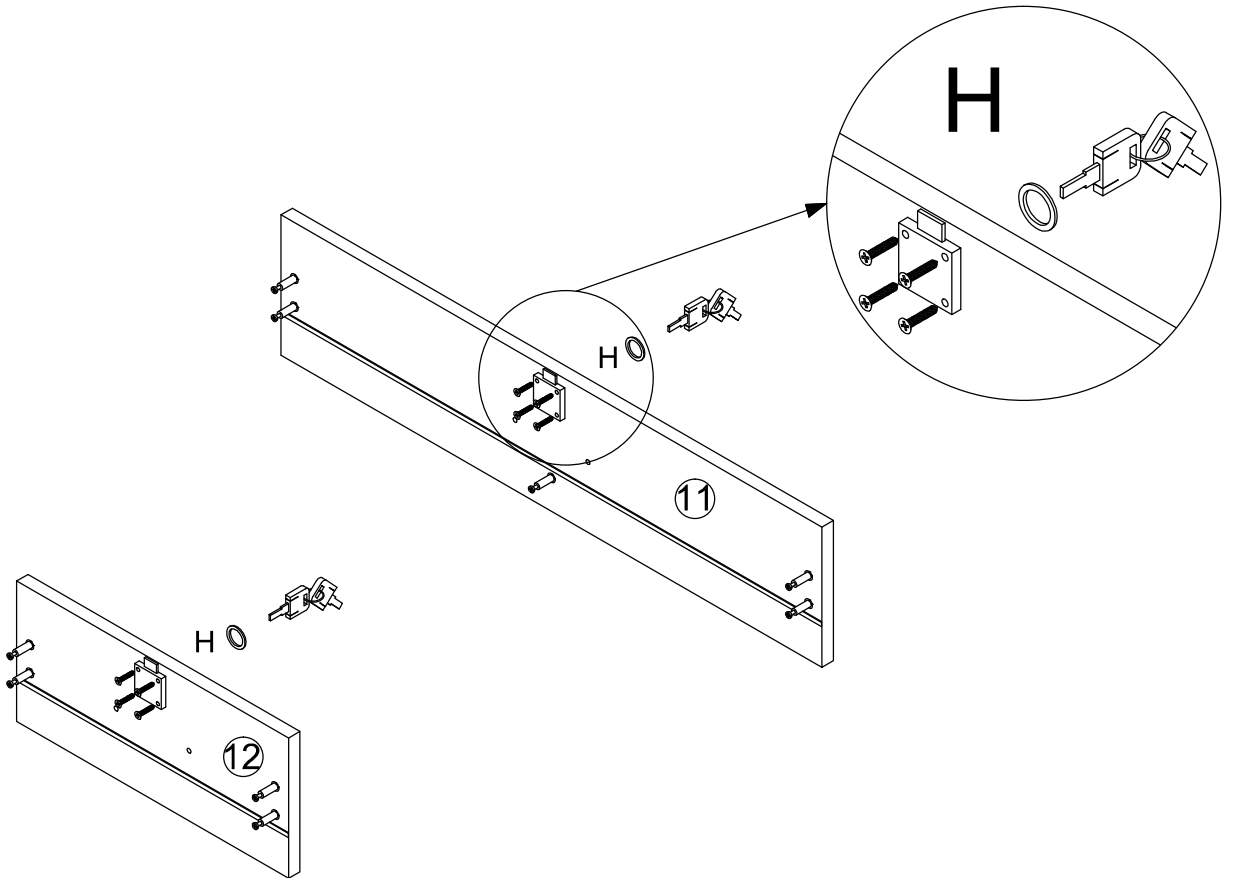


E*16	G*2
 M3.5*14	 M4*18

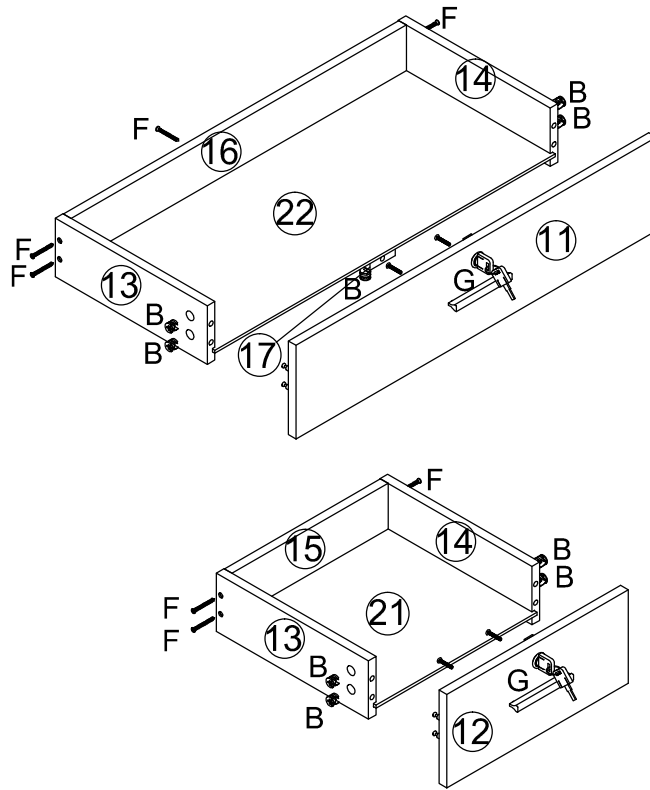
15






16

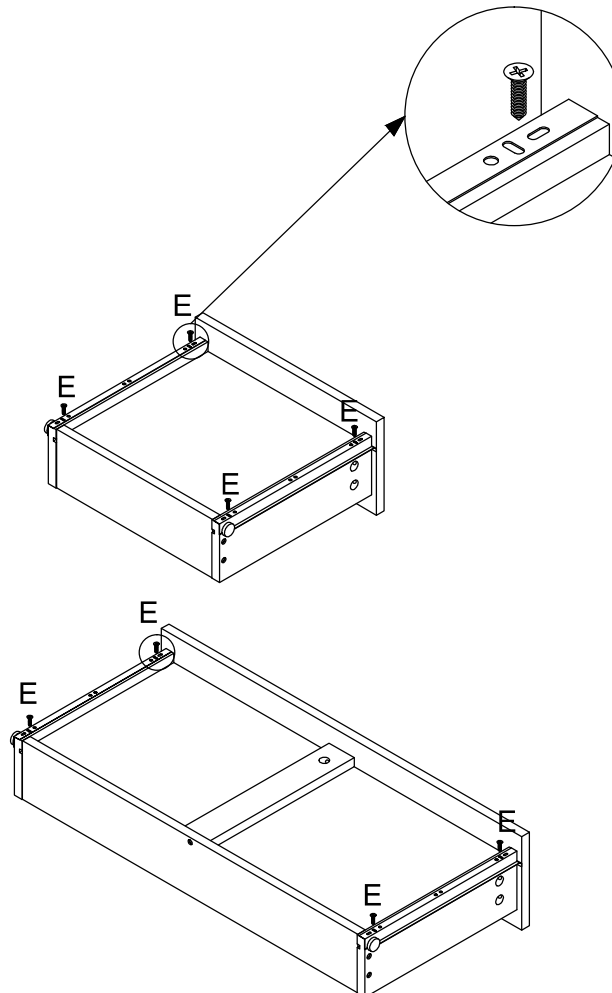




17



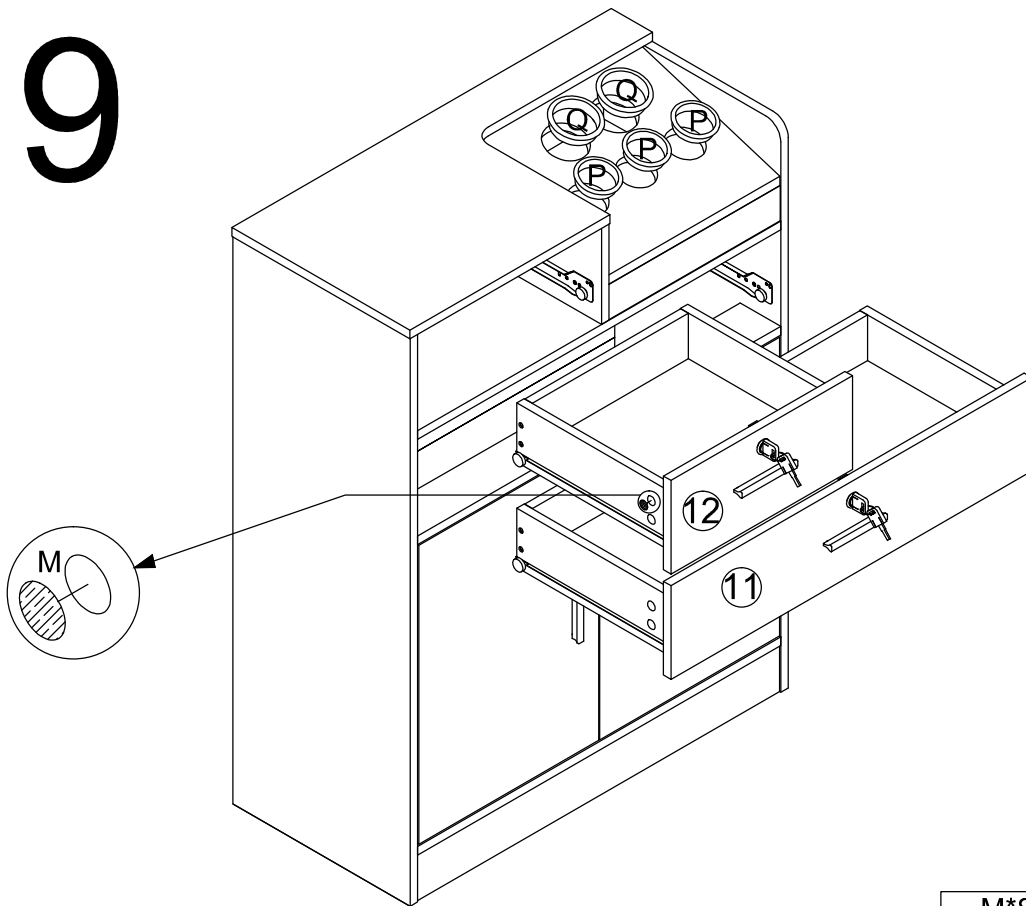
B*9	F*9	G*2
	 M4*35	 M4*18




18



E*8	N2*2
 M3.5*14	

19



M*8	P*3	Q*2
 Ø20	 Ø60	 Ø70

20

