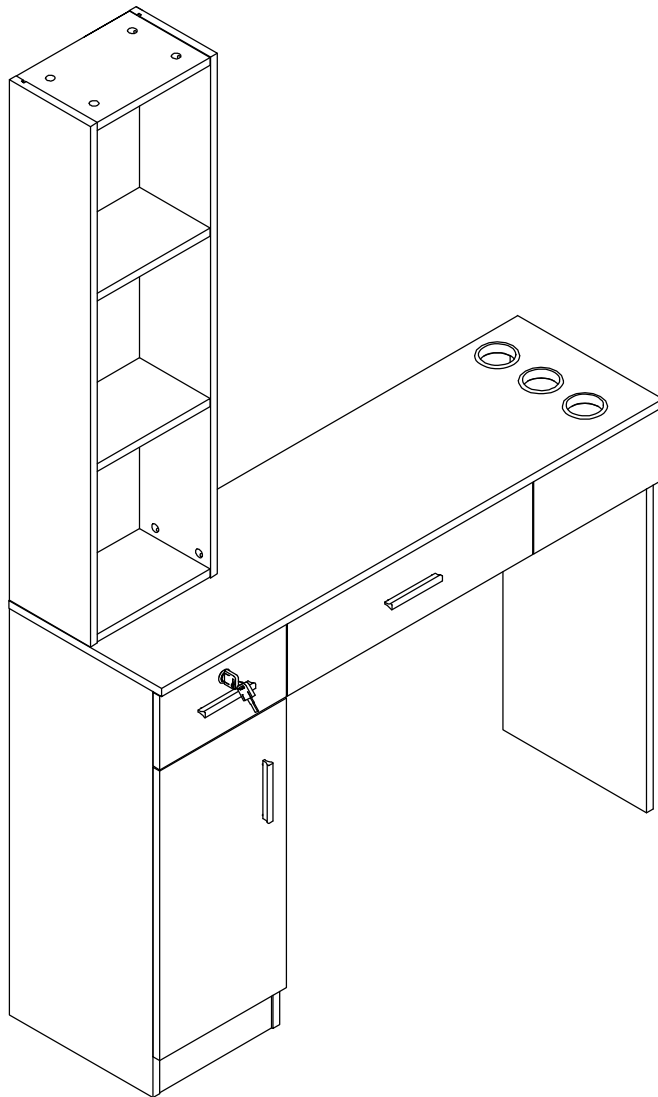


Omy *Salon*

HAIR STYLING STATION

USER MANUAL



⚠ WARNING

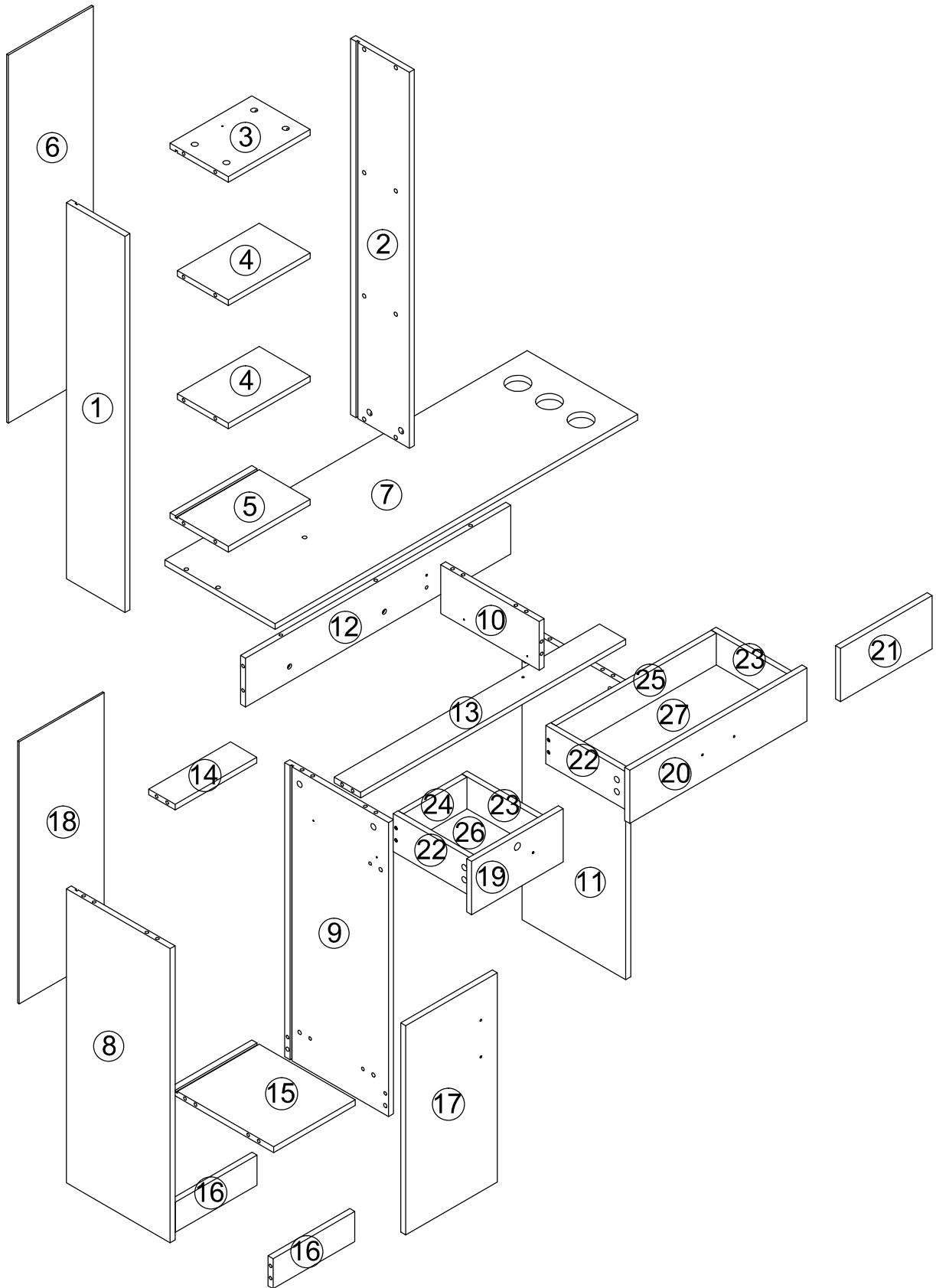


Children have died from furniture tipover. To reduce the risk of furniture tipover:

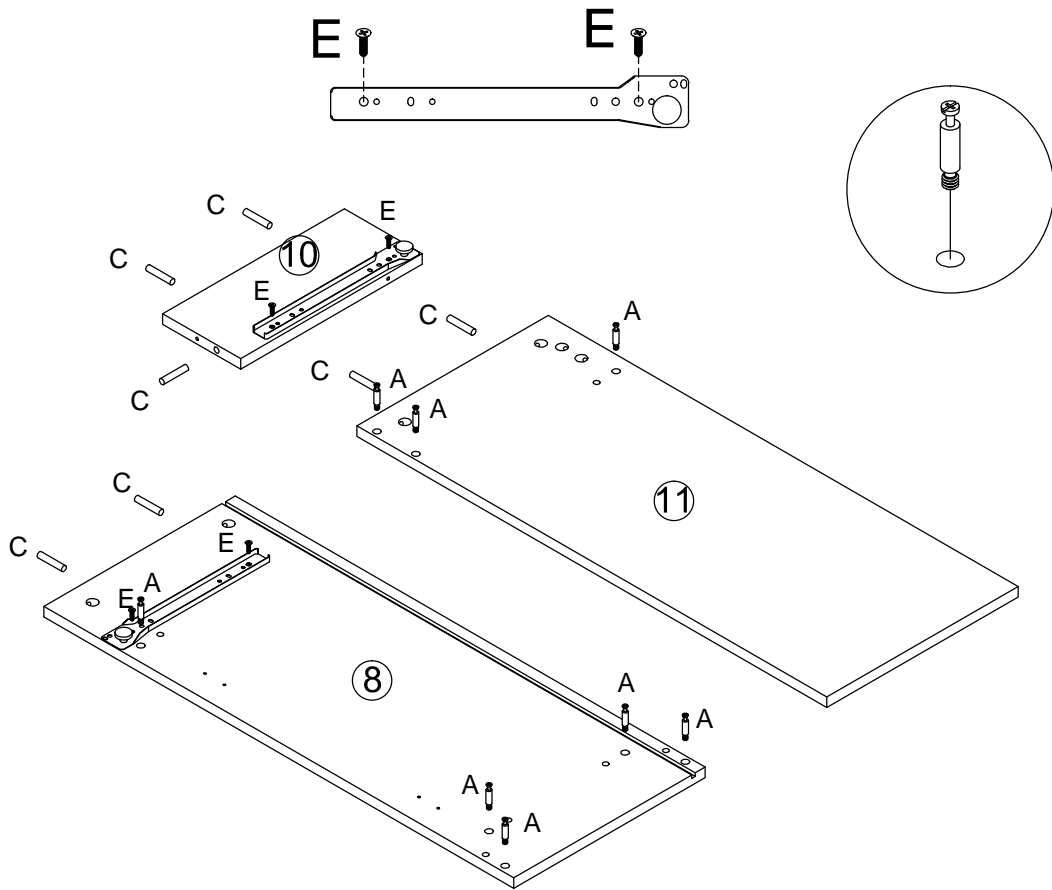
- ALWAYS install tipover restraint provided.
- NEVER put a TV on this product.
- NEVER allow children to stand, climb or hang on drawers, doors, or shelves.
- NEVER open more than one drawer at a time.
- Place heaviest items in the lowest drawers.
- Do not defeat or remove the drawer interlock system.

*This is a permanent label.
Do not remove!*

		 Ø8*40	 Ø5*40	 Ø3.5*14
A*59	B*59	C*21	D*2	E*40
 Ø4*35	 Ø3.5*16	 Ø3*14	 Ø4*18	 Ø8*60 Ø6*80
F*8	G*1	H*1	I*3	J*2
		 M1, M2		 Ø20
K*12	L*2	M*2	N*2	O*59
 Ø4*14 Ø4*35	 Ø60			
P*1	Q*3	R*6		

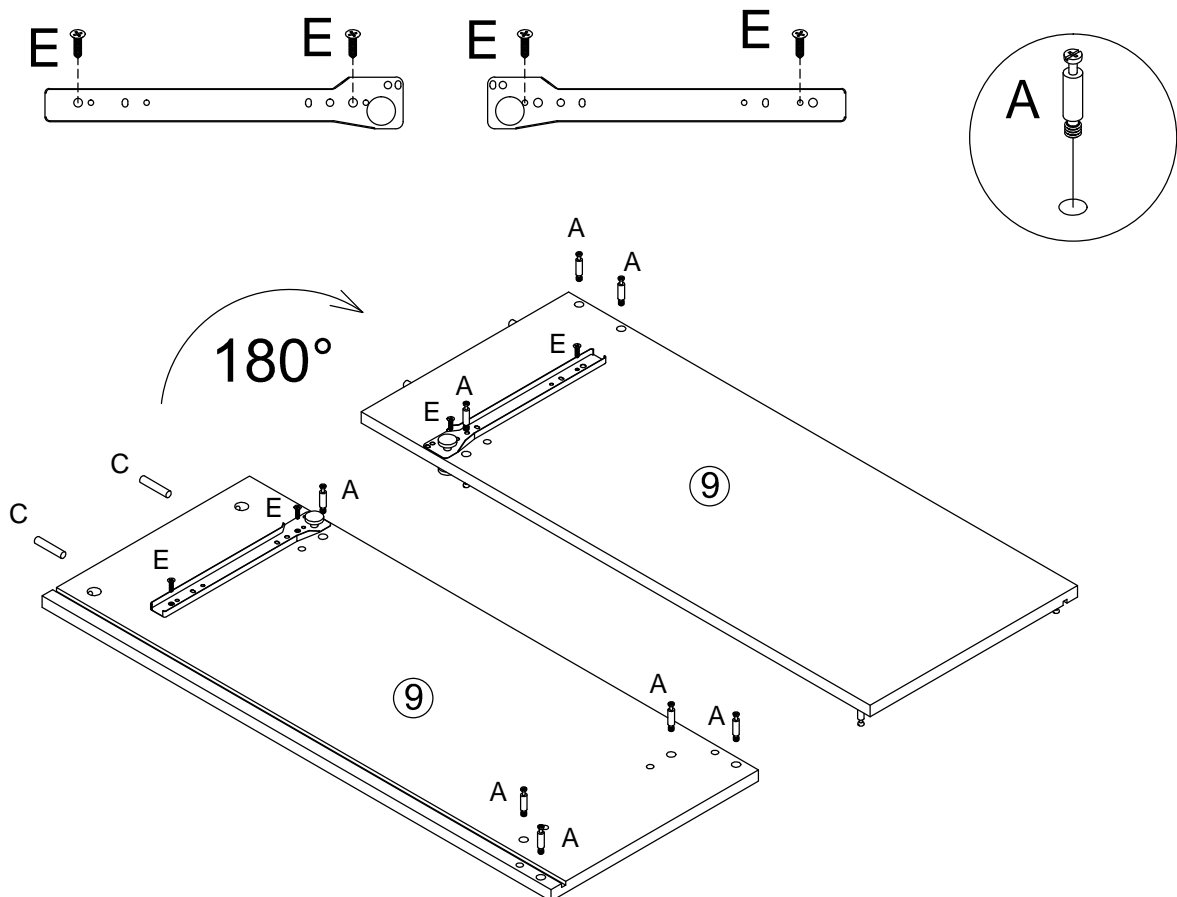


1



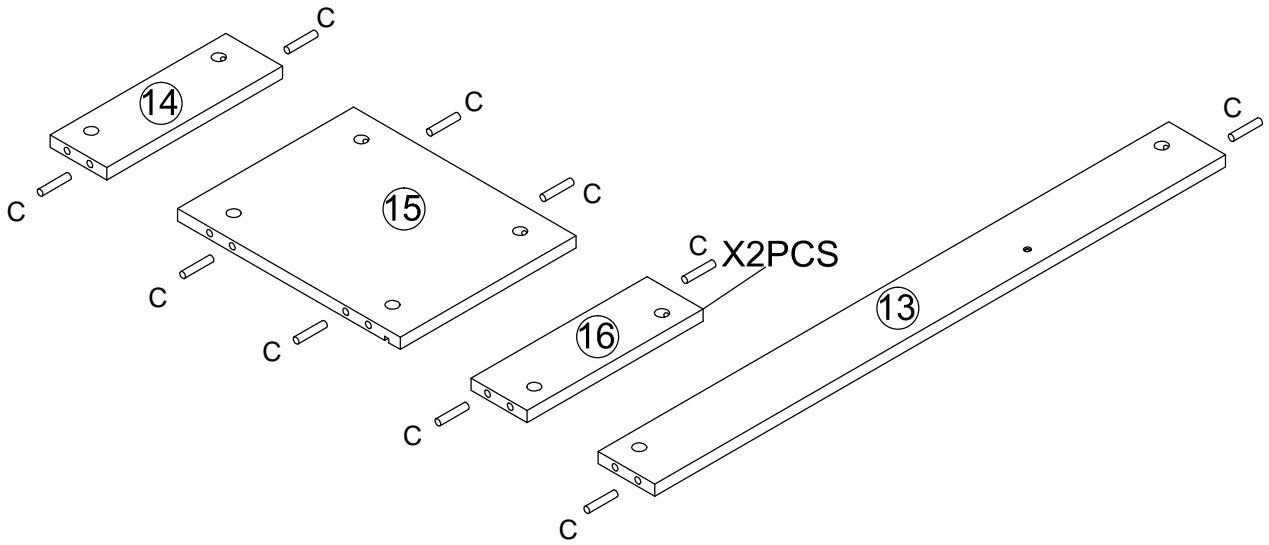
$A*8+C*7+E*4+M1*1$

2



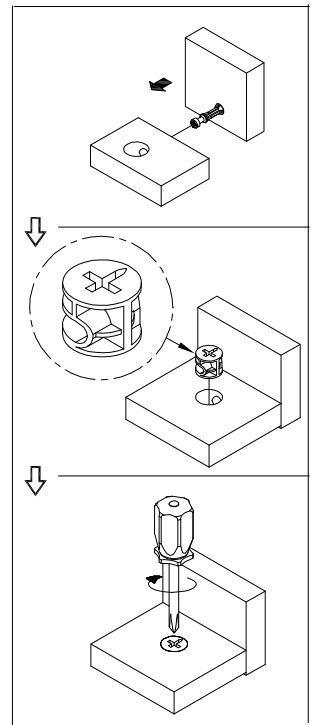
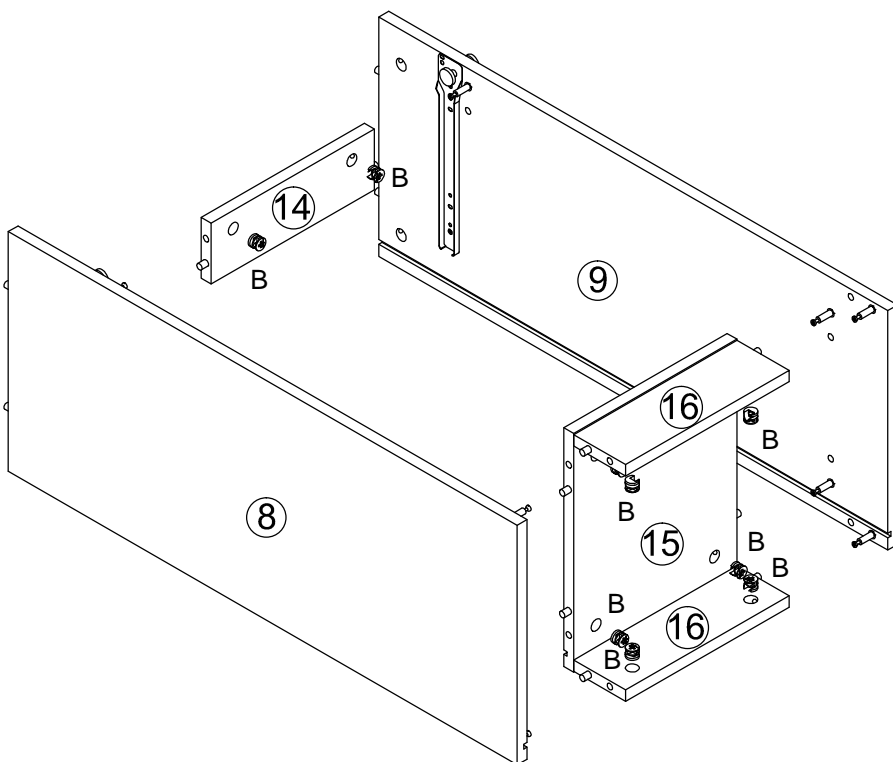
$A*8+C*2+E*4+M1*1$

3



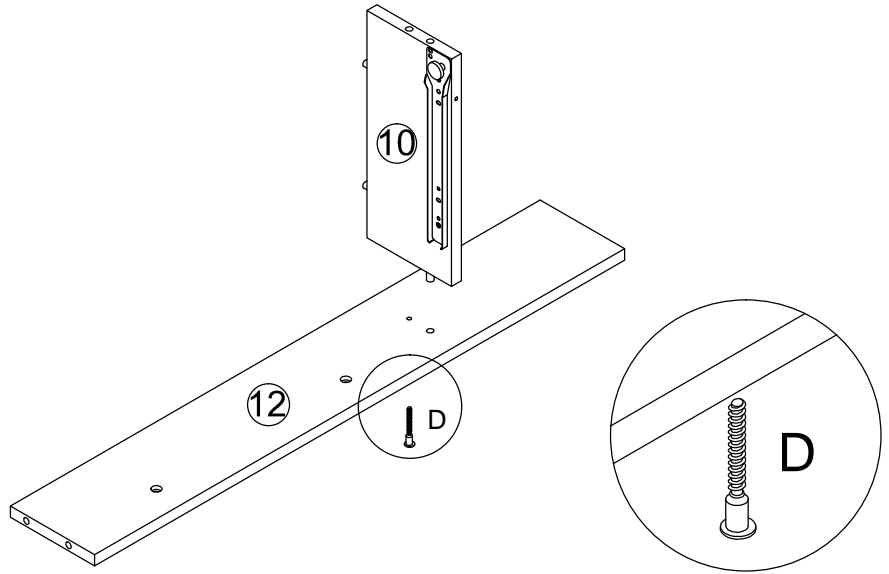
C*12

4



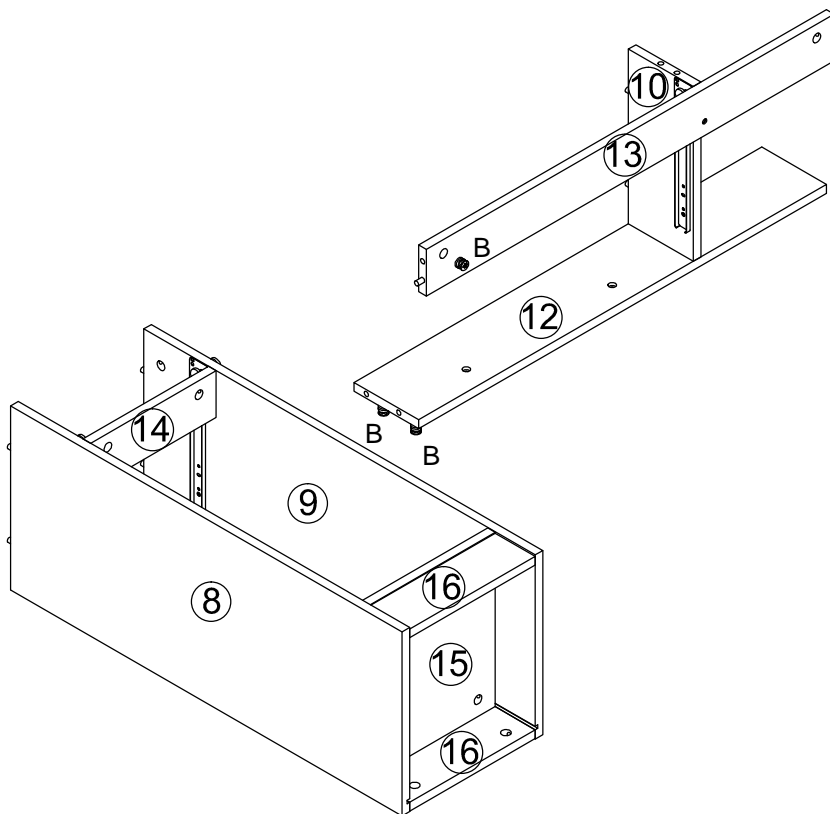
B*10

5



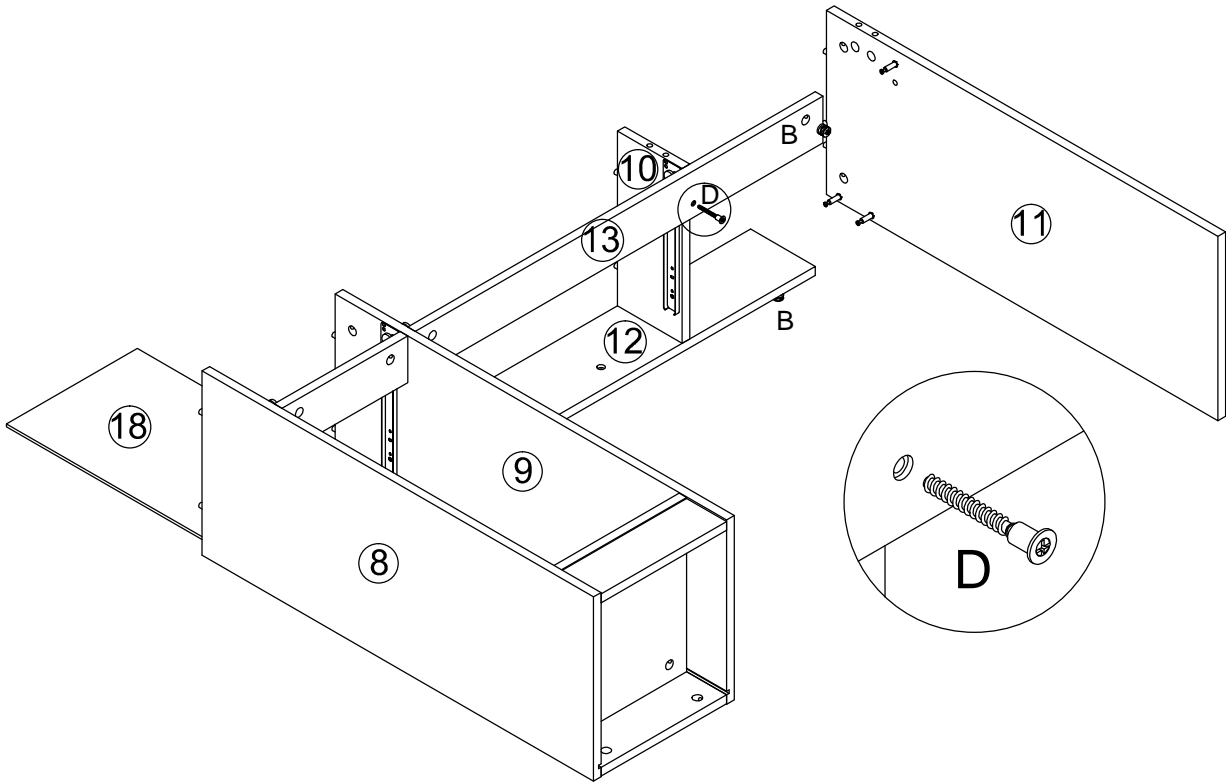
D*1

6



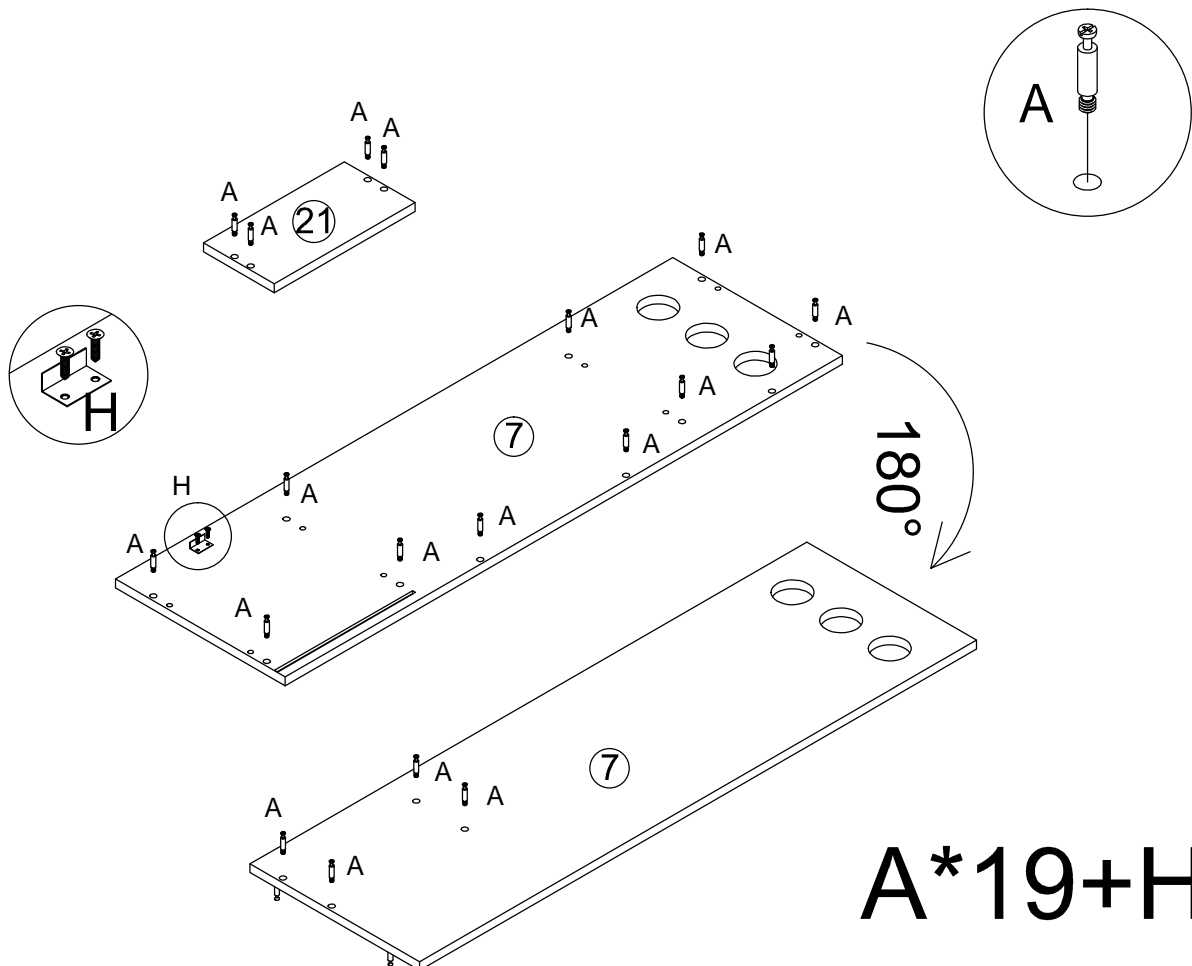
B*3

7



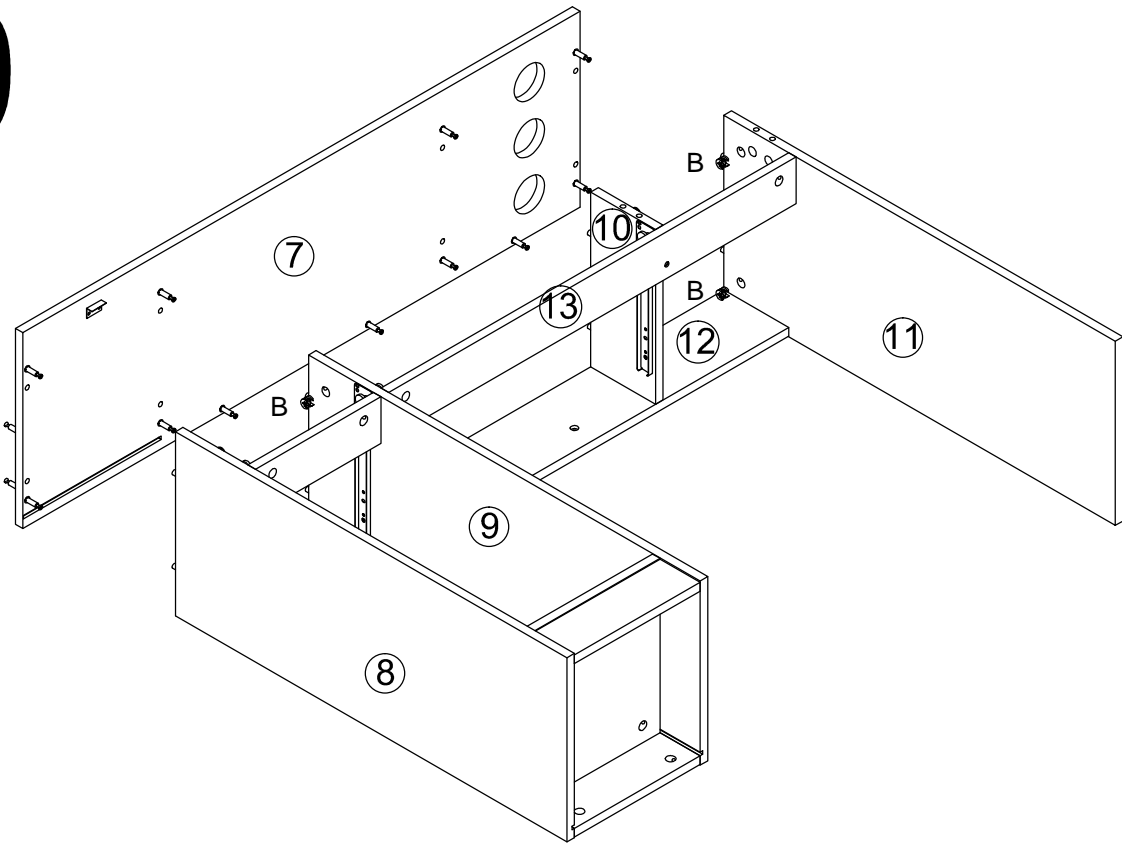
$B*3+D*1$

8



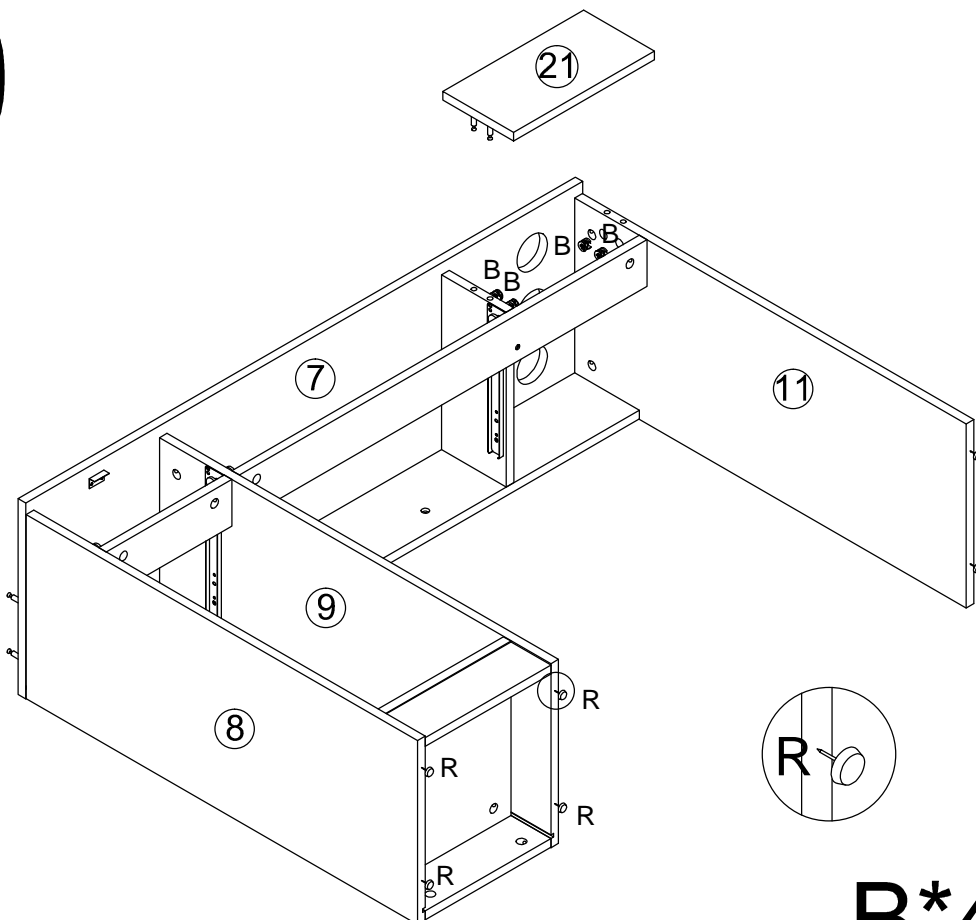
$A*19+H*1$

9



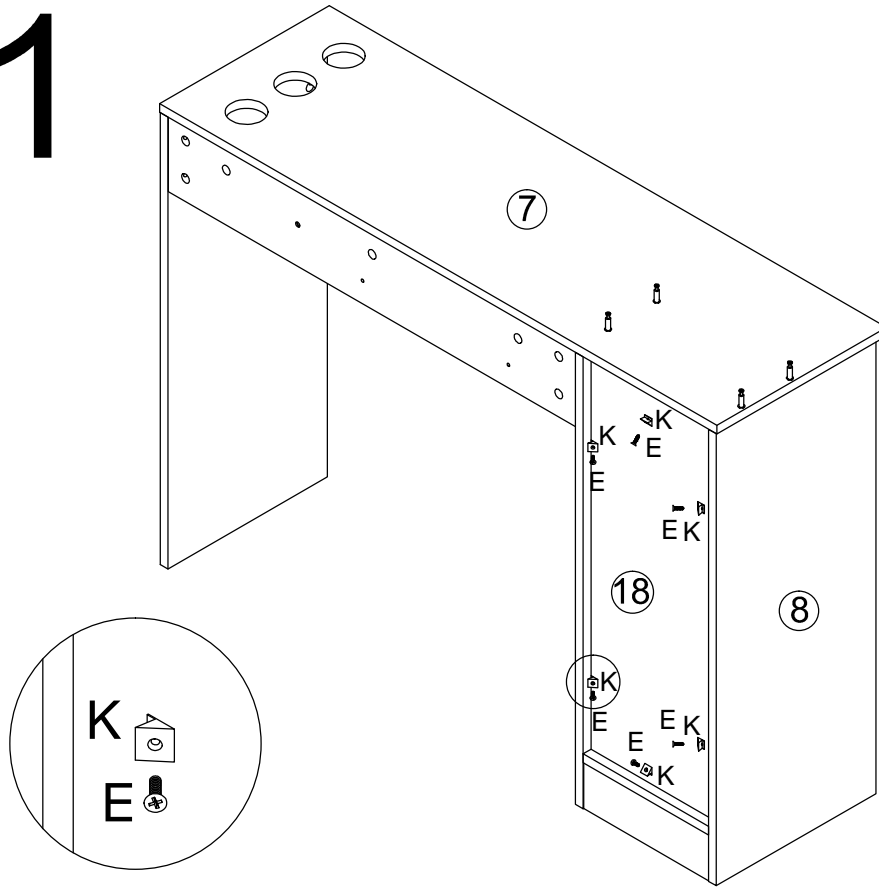
$B*11$

10



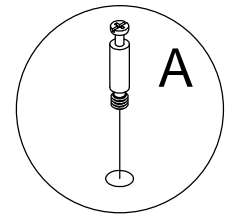
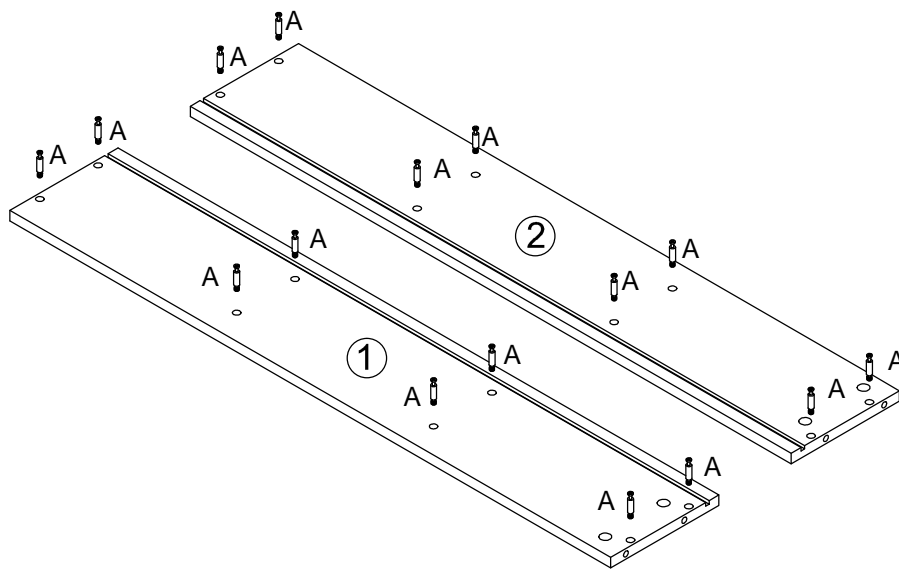
$B*4+R*6$

11



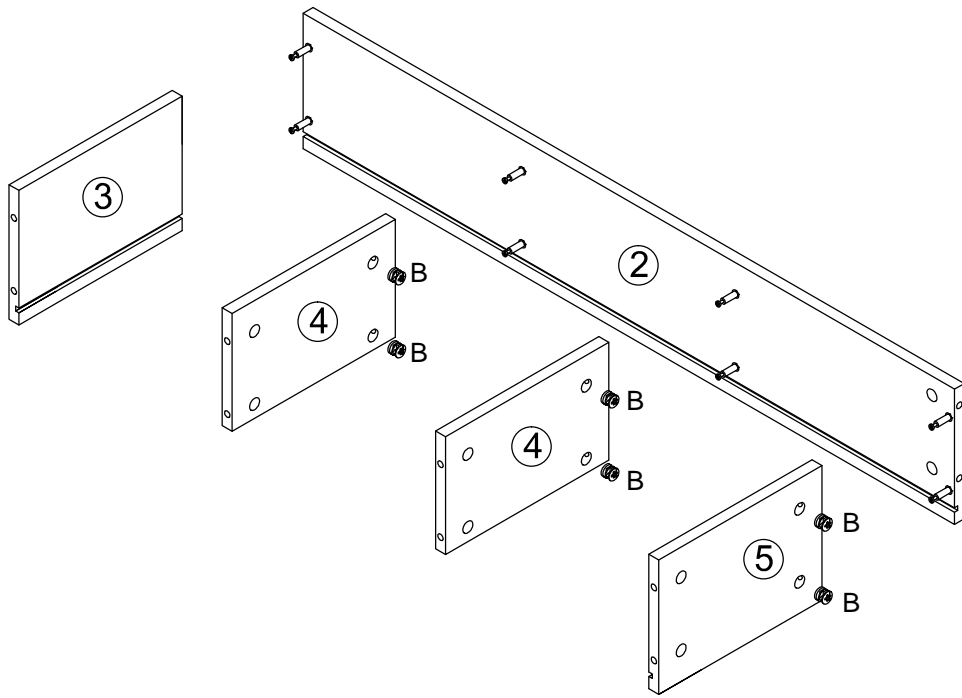
E*6+K*6

12



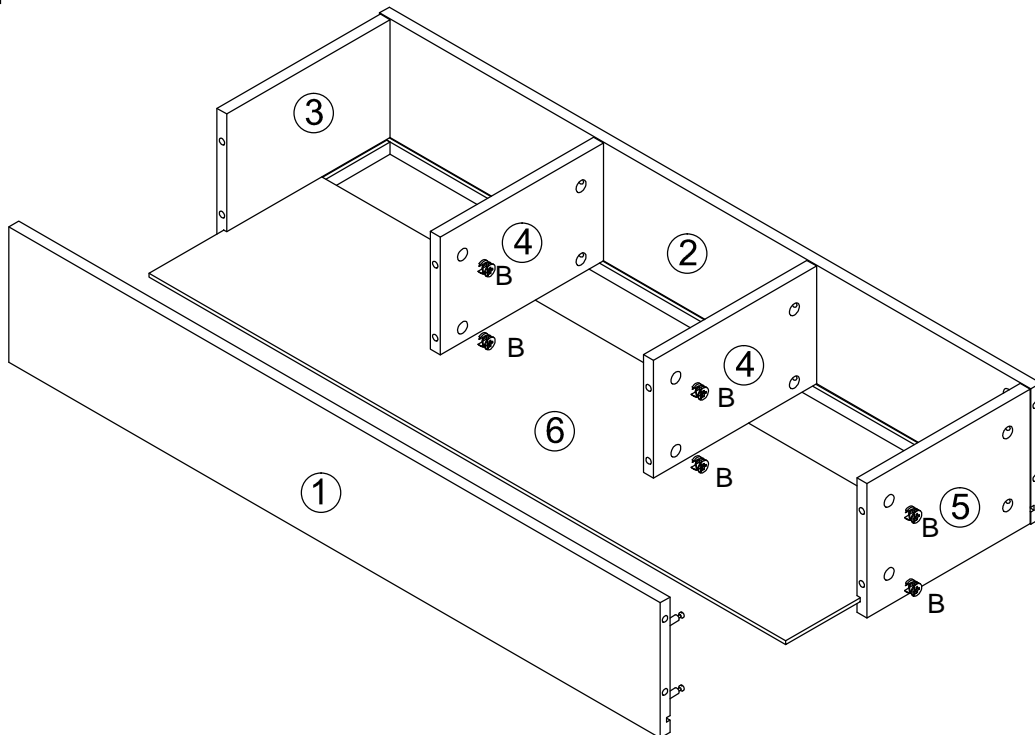
A*16

13



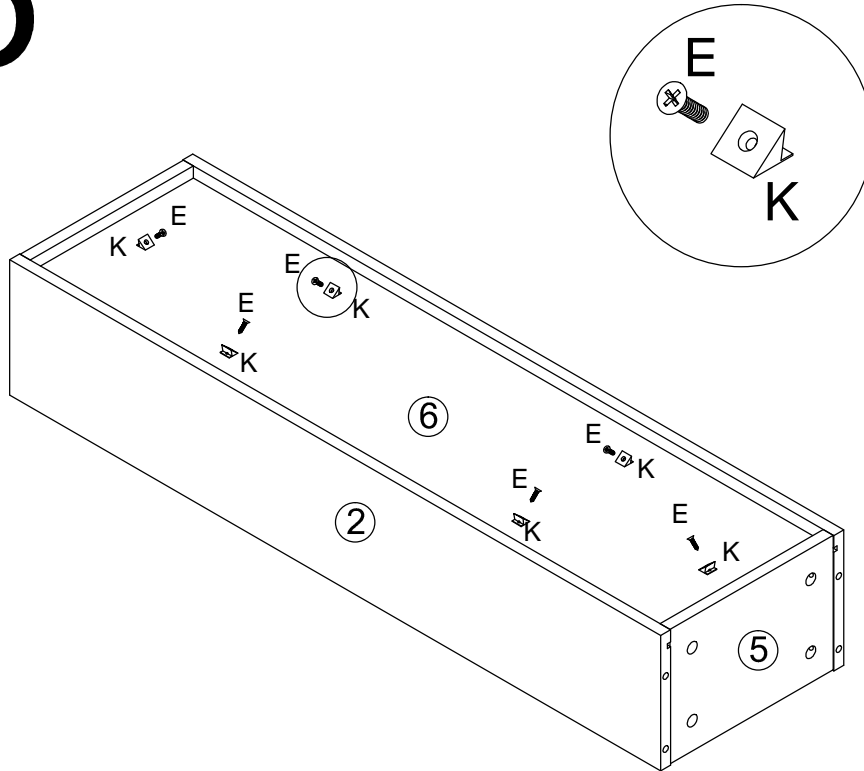
B*8

14



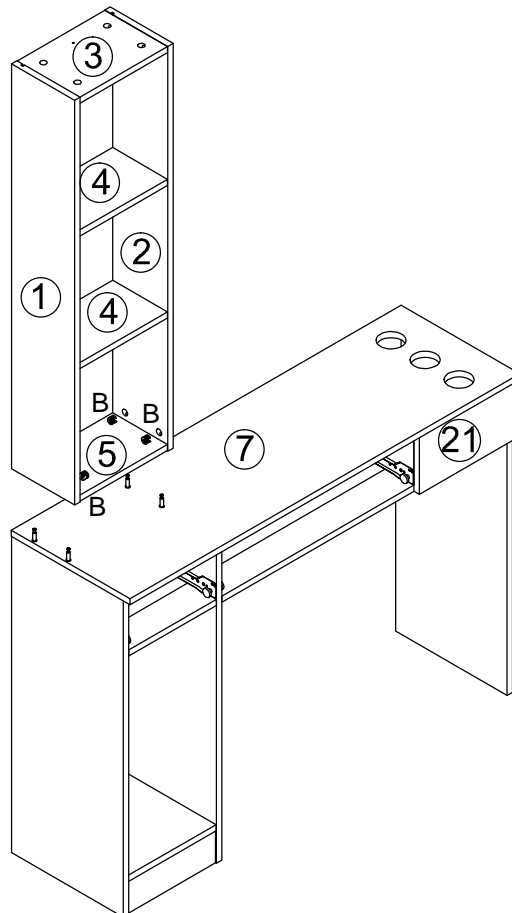
B*8

16



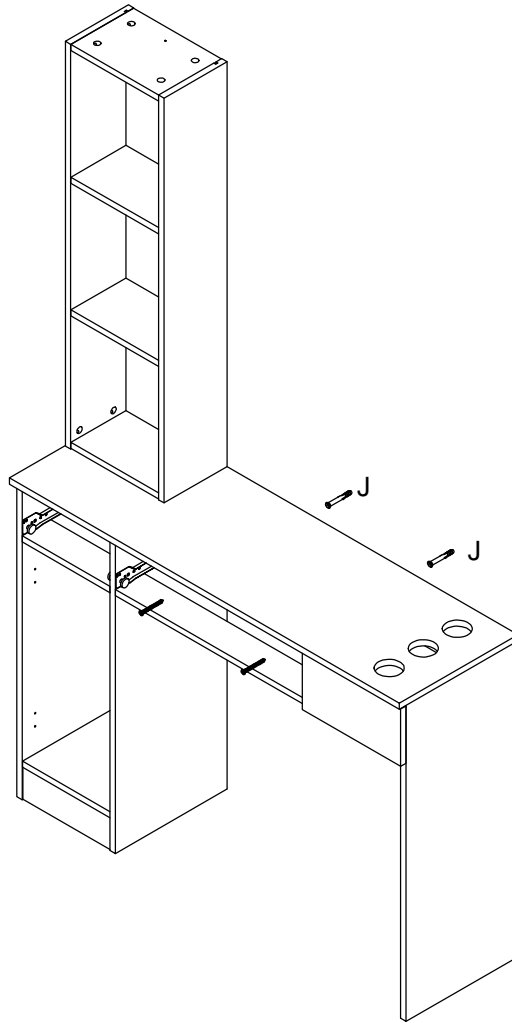
$E*6+K*6$

15



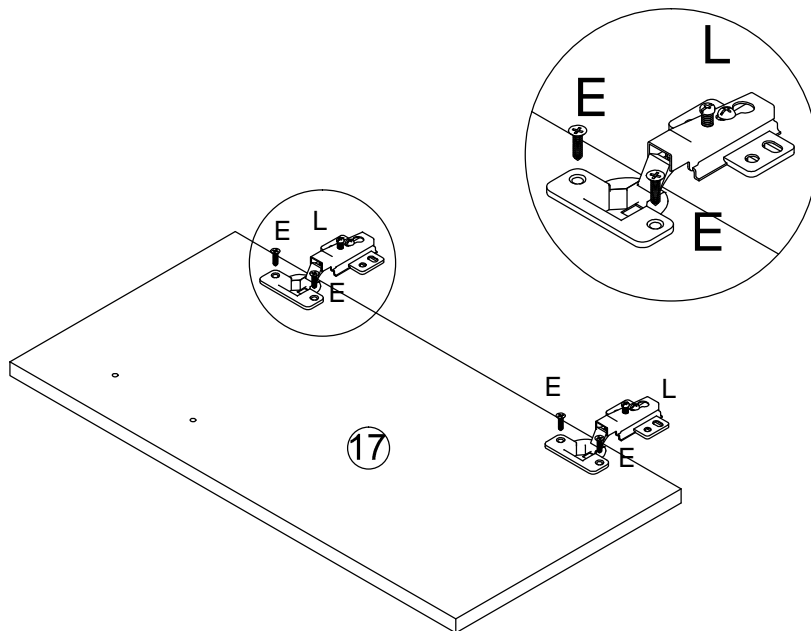
$B*4$

17



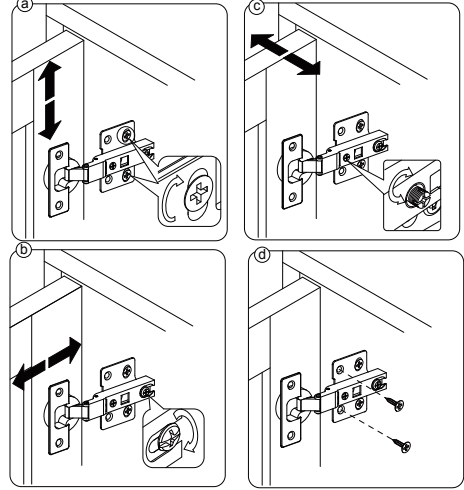
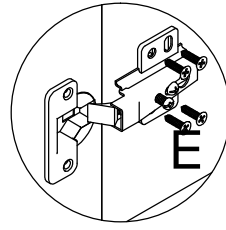
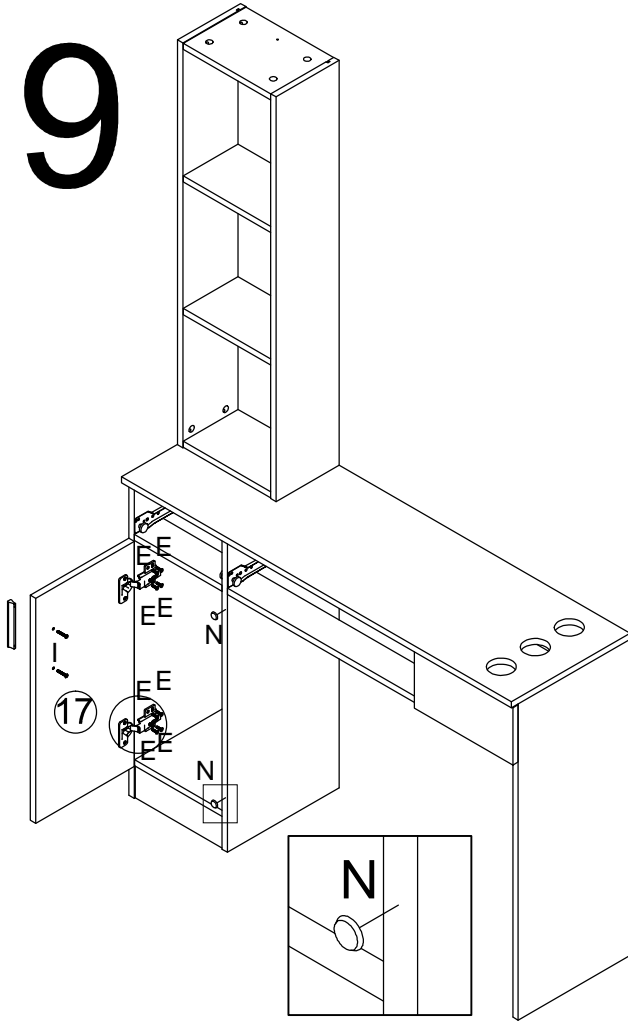
J*2

18



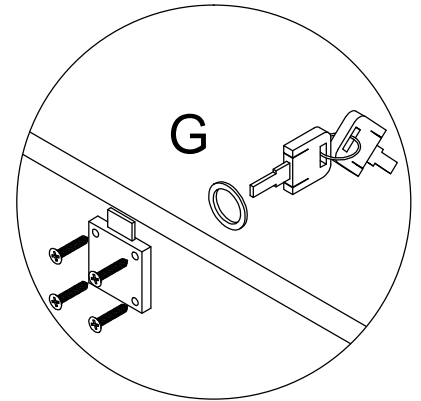
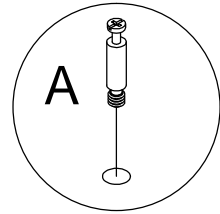
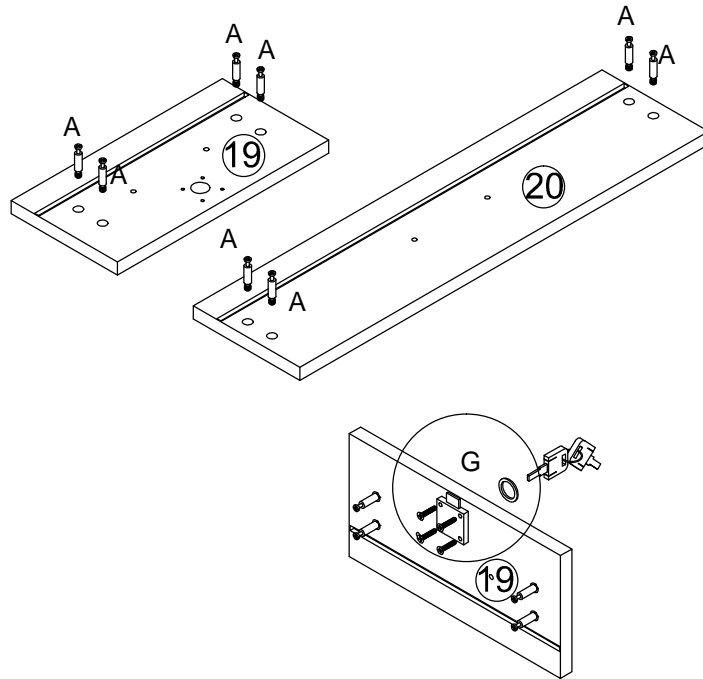
E*4+L*2

19



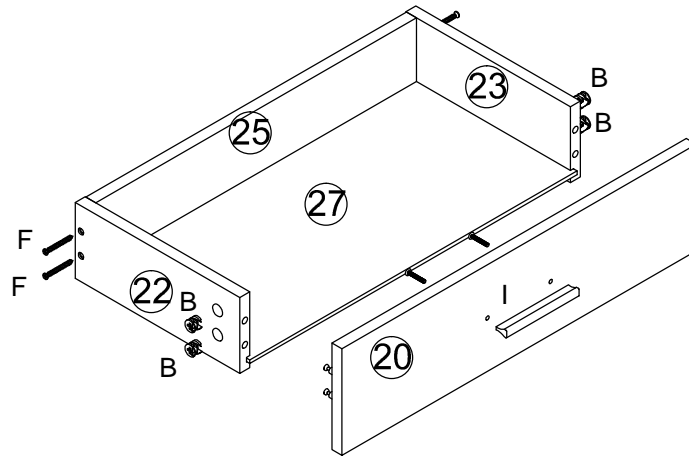
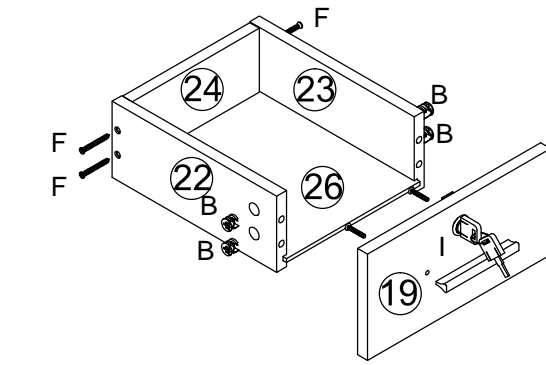
$E*8+I*1+N*2$

20



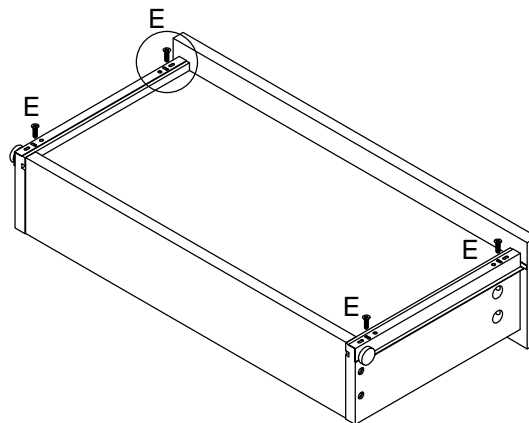
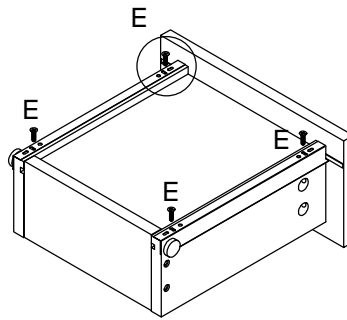
$A*8+G*1$

21



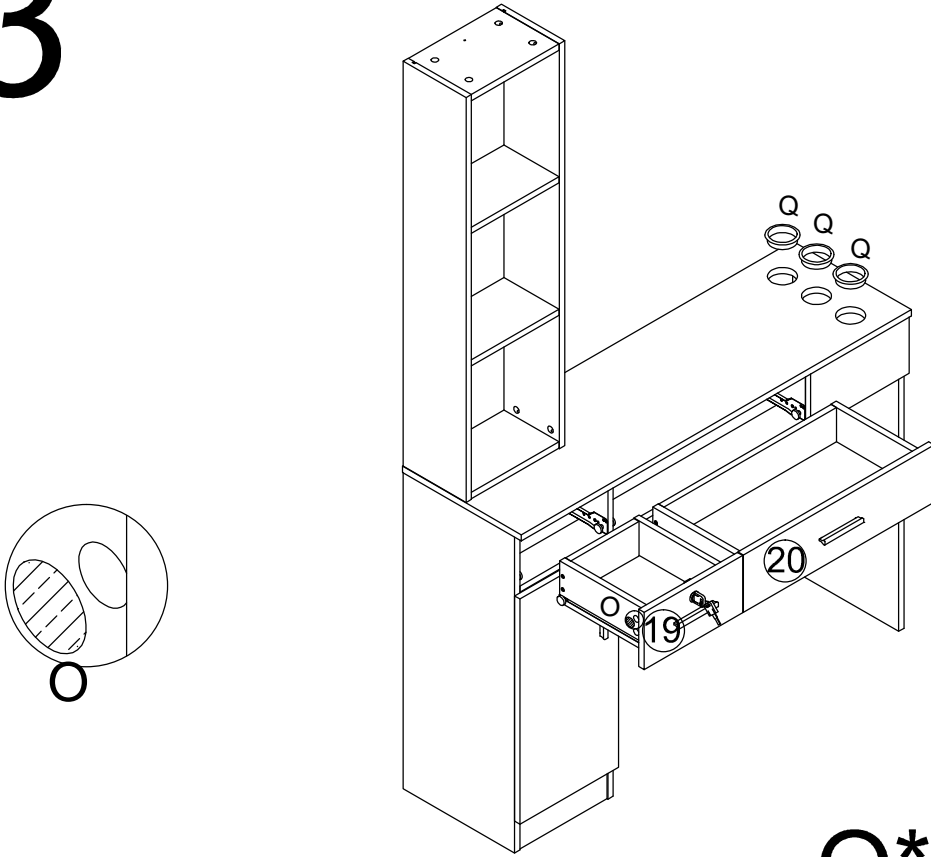
B*8+F*8+I*2

22



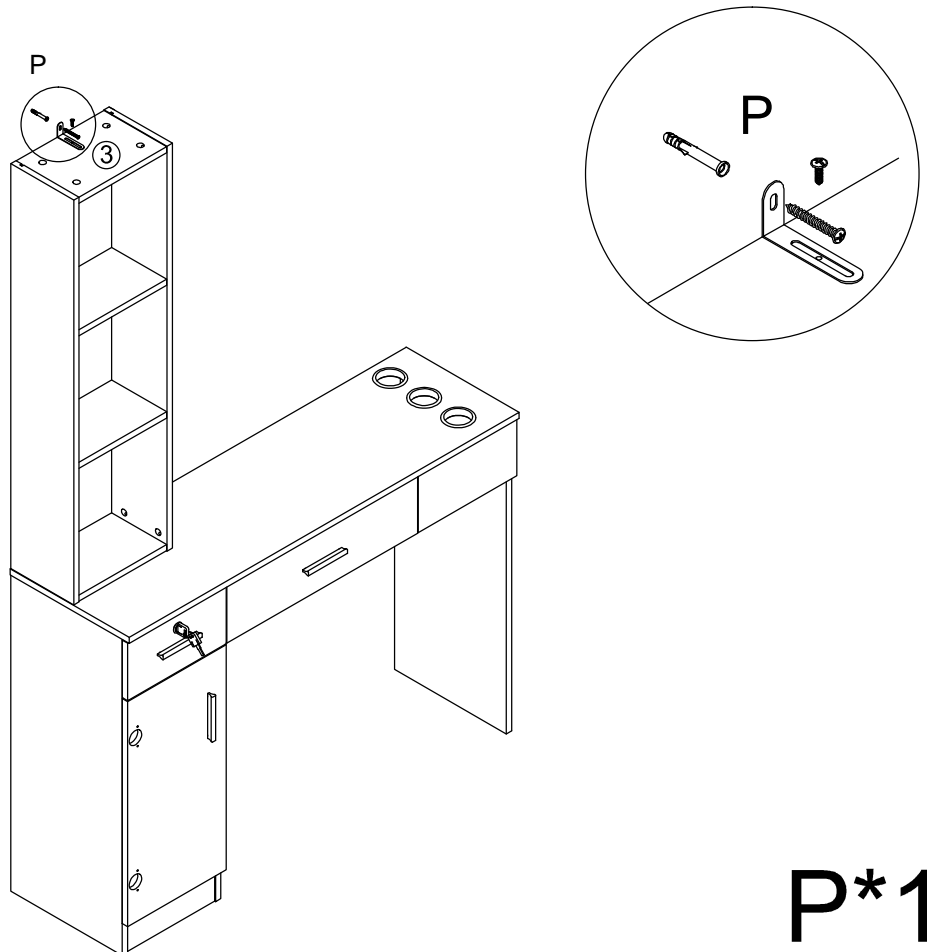
E*8+M2*2

23



$O*59+Q*3$

24



$P*1$