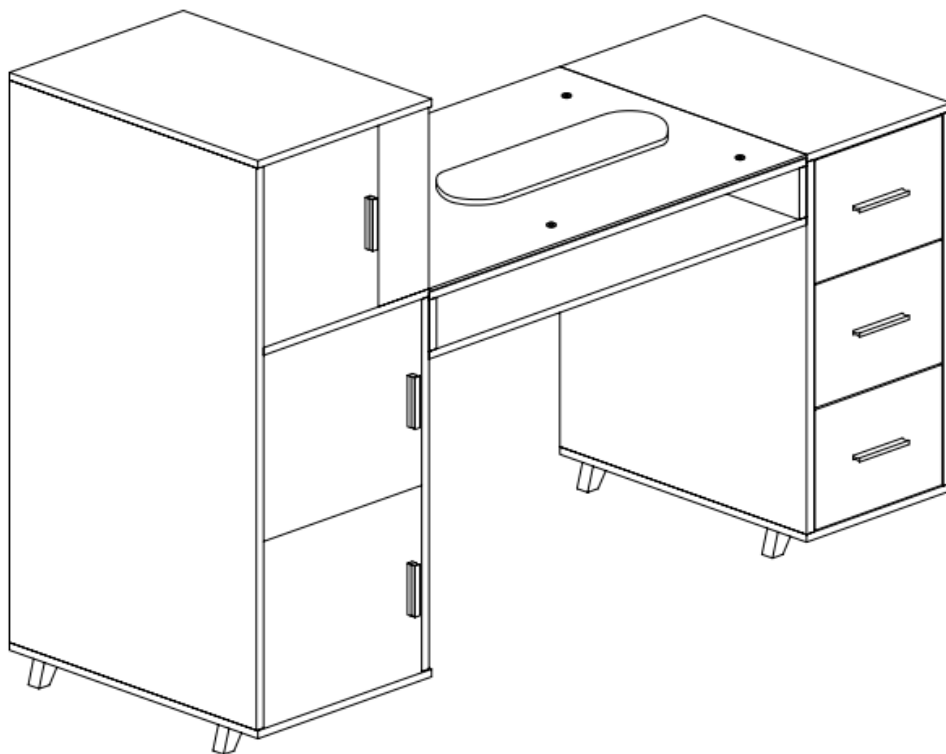


Omy *Salon*

# MANICURE NAIL TABLE

## USER MANUAL



Thank you for your purchase.

Please contact us if you have difficulty with assembly or need replacement parts.

Omysalon Customer Service is here to assist you.

Email: [support@omysalon.com](mailto:support@omysalon.com) Website: [www.omysalon.com](http://www.omysalon.com)

Please attach your User name or Order ID so that we can assist you better.

## English

### **WARNING**



Children have died from furniture tipover. To reduce the risk of furniture tipover:

- ALWAYS install tipover restraint provided.
- NEVER put a TV on this product.
- NEVER allow children to stand, climb or hang on drawers, doors, or shelves.
- NEVER open more than one drawer at a time.
- Place heaviest items in the lowest drawers.
- Do not defeat or remove the drawer interlock system.

This is a permanent label.  
Do not remove!

## French

### **ATTENTION**



Des enfants sont morts du basculement des meubles. Pour réduire le risque de basculement des meubles:

- TOUJOURS installer la retenue de basculement fournie.
- NE JAMAIS mettre de téléviseur sur ce produit.
- NE JAMAIS permettre aux enfants de se tenir debout, de grimper, ou de s'accrocher à des tiroirs, des portes ou des étagères.
- N'ouvrez JAMAIS plus d'un tiroir à la fois.
- Placez les objets les plus lourds dans les tiroirs les plus bas.
- Ne désactivez pas et ne retirez pas le système de verrouillage du tiroir.

Ceci est une étiquette permanente.  
Ne pas enlever!

## German

### **WARNUNG**



Kinder sind an einem Möbelkipp gestorben. So verringern Sie das Risiko eines Umkippens von Möbeln:

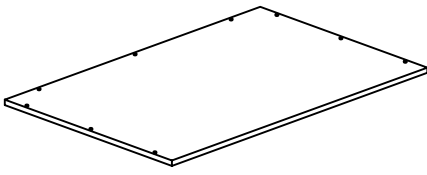
- Installieren Sie **IMMER** die mitgelieferte Kipprückhaltevorrichtung.
- Stellen Sie **NIEMALS** einen Fernseher an dieses Produkt.
- Lassen Sie Kinder **NIEMALS** an Schubladen, Türen oder Regalen stehen klettern oder hängen.
- Öffnen Sie **NIEMALS** mehr als eine Schublade gleichzeitig.
- Legen Sie schwerste Gegenstände in die untersten Schubladen.
- Besiegen oder entfernen Sie das Schubladenverriegelungssystem nicht.

Dies ist ein dauerhaftes Etikett.  
Nicht entfernen!

# Components of furniture

Please check the board number and the hole on the board

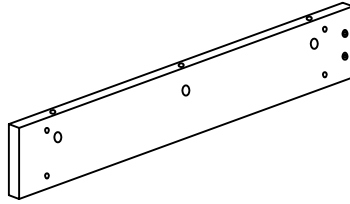
1



765×500×15mm

1 PC

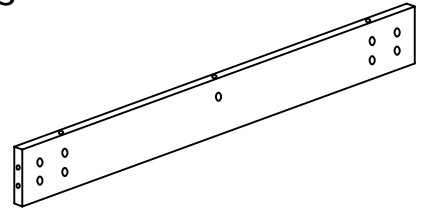
2



500×100×15mm

1 PC

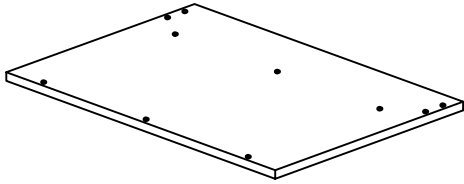
3



735×100×15mm

1 PC

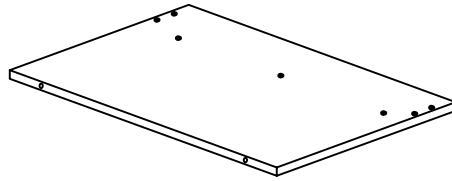
4



503×352×15mm

1 PC

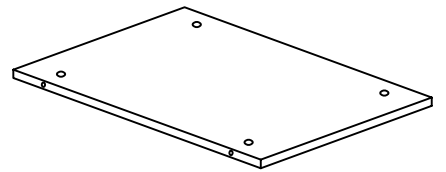
5



500×335×15mm

1 PC

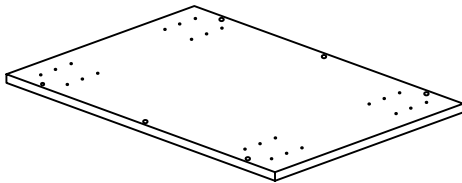
6



463×320×15mm

1 PC

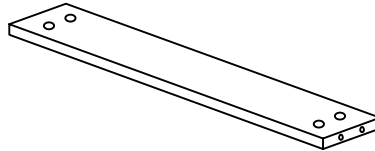
7



503×352×15mm

1 PC

8



470×85×15mm

2 PCS

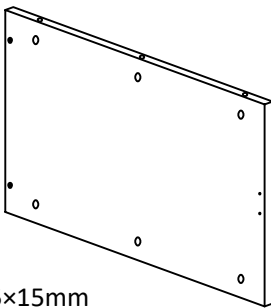
9



355×85×15mm

1 PC

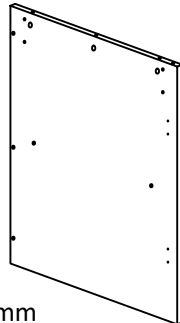
10



485×355×15mm

1 PC

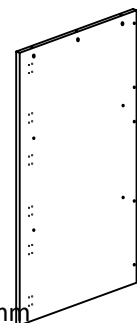
11



725×500×15mm

1 PC

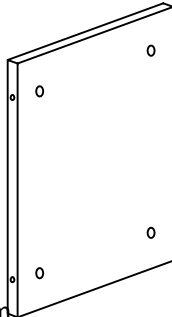
12



1095×500×15mm

1 PC

13



355×233×15mm

1 PC

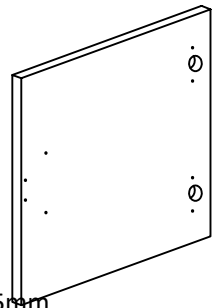
14



725×320×15mm

1 PC

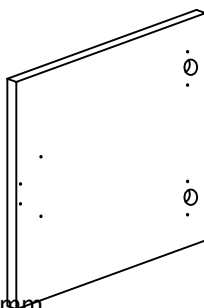
15



355×315×15mm

1 PC

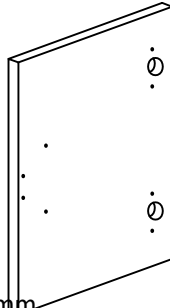
16



355×315×15mm

1 PC

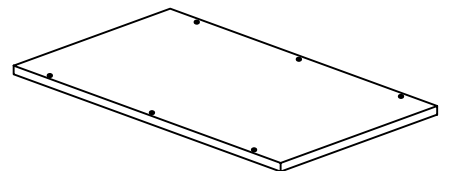
17



355×230×15mm

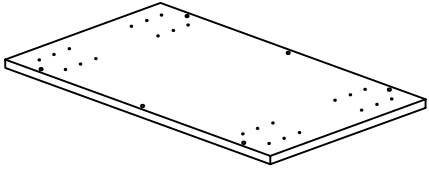
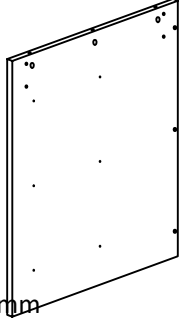
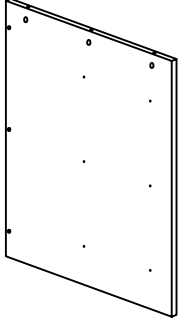
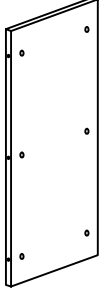
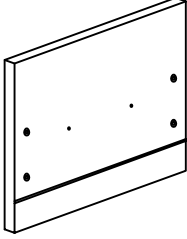
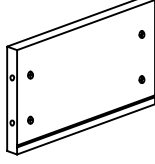
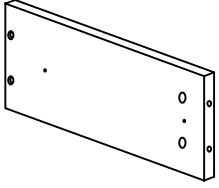
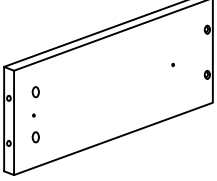
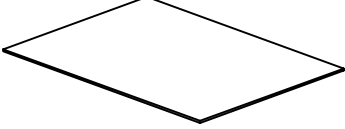
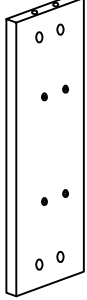
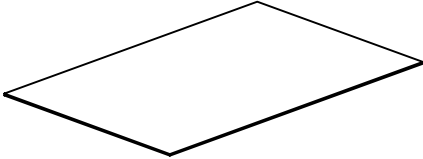
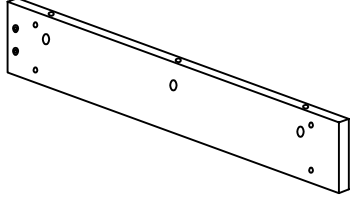
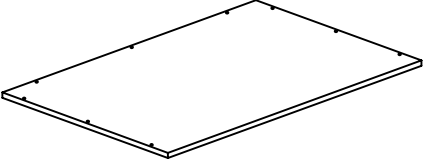
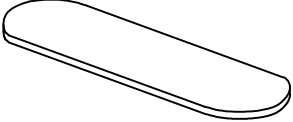
1 PC

18

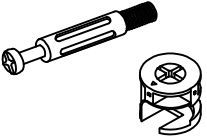
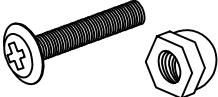
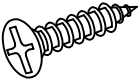
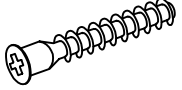


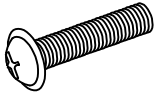
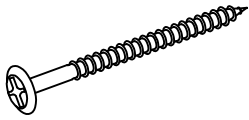
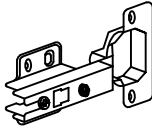
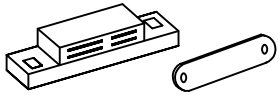
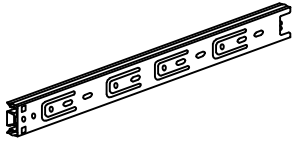
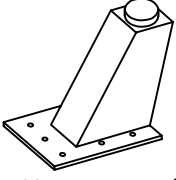
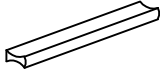
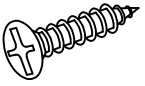


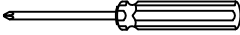
500×293×15mm

1 PC

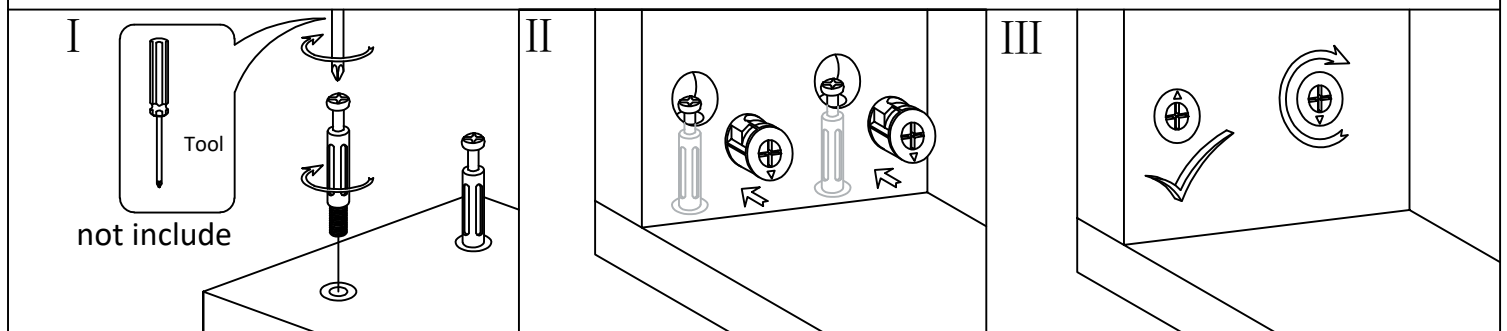
<p>19</p>  <p>500×293×15mm</p> <p>1 PC</p>	<p>20</p>  <p>725×500×15mm</p> <p>1 PC</p>	<p>21</p>  <p>1 PC</p>
<p>22</p>  <p>725×262×15mm</p> <p>1 PC</p>	<p>23</p>  <p>258×240×15mm</p> <p>3 PCS</p>	<p>24</p>  <p>208×148×15mm</p> <p>3 PCS</p>
<p>25</p>  <p>300×148×15mm</p> <p>3 PCS</p>	<p>26</p>  <p>300×148×15mm</p> <p>3 PCS</p>	<p>27</p>  <p>297×217×3mm</p> <p>3 PCS</p>
<p>28</p>  <p>355×100×15mm</p> <p>1 PC</p>	<p>29</p>  <p>763×500×5mm(GLASS)</p> <p>1 PC</p>	<p>30</p>  <p>500×100×15mm</p> <p>1 PC</p>
<p>31</p>  <p>765×500×15mm</p> <p>1 PC</p>	<p>32</p>  <p>400×120×38mm</p> <p>1 PC</p>	

## Hardware accessories

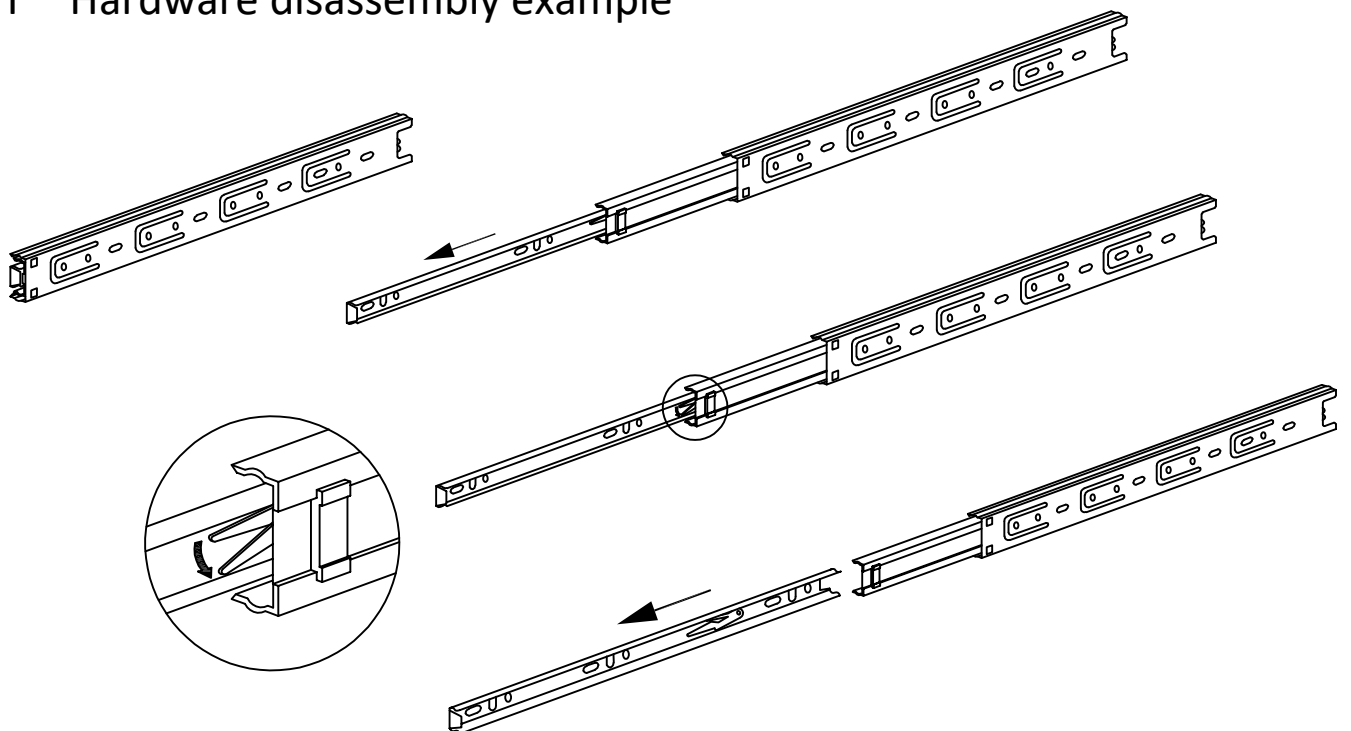
<p>A</p>  <p>M7×40mm</p> <p>81 PCS</p>	<p>B</p>  <p>M6×35mm</p> <p>8 PCS</p>	<p>C</p>  <p>M3.5×12mm</p> <p>122 PCS</p>	<p>D</p>  <p>M7×40mm</p> <p>21 PCS</p>
---	--	---	---

<p><b>E</b></p>  <p>M4×20mm      12 PCS</p>	<p><b>F</b></p>  <p>M5×50mm      12 PCS</p>	<p><b>G</b></p>  <p>105×65×40mm      6 PCS</p>	<p><b>H</b></p>  <p>47×18×15mm      3 PCS</p>
<p><b>I</b></p>  <p>LS12"      6 PCS</p>	<p><b>J</b></p>  <p>70×60×100mm      8 PCS</p>	<p><b>K</b></p>  <p>SLS1316-96mm      6 PCS</p>	<p><b>L</b></p>  <p>M3.5×14mm      6 PCS</p>
<p><b>M</b></p>  <p>φ18mm      6 PCS</p>	<p><b>N</b></p>  <p>φ8×30mm      1 PC</p>		

**"A" Hardware installation example**

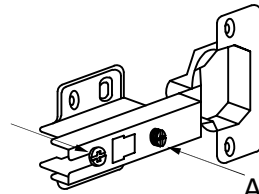


**"I" Hardware disassembly example**



# "G" Accessories function

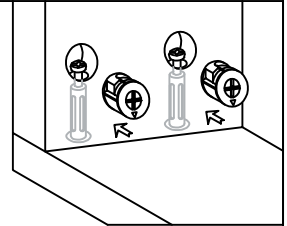
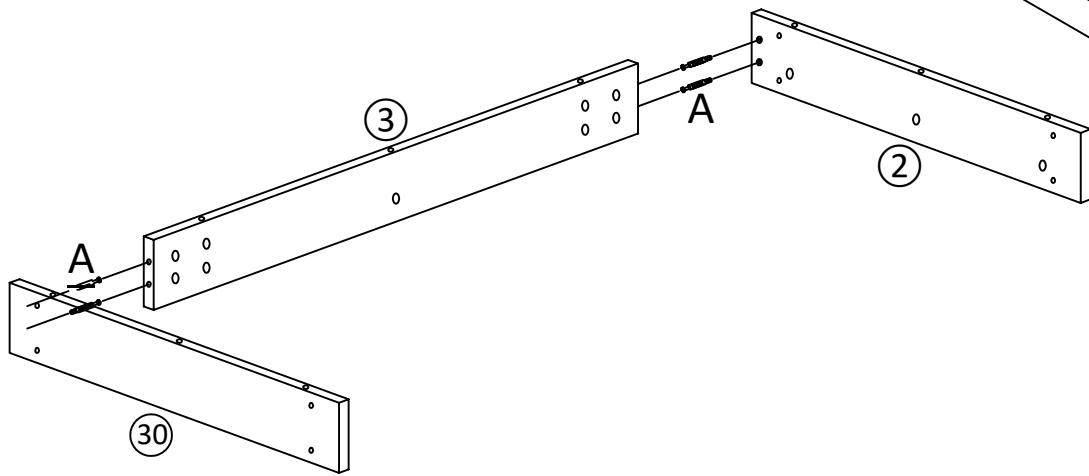
Adjust the depth of the door



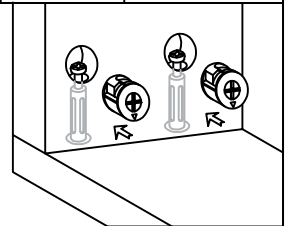
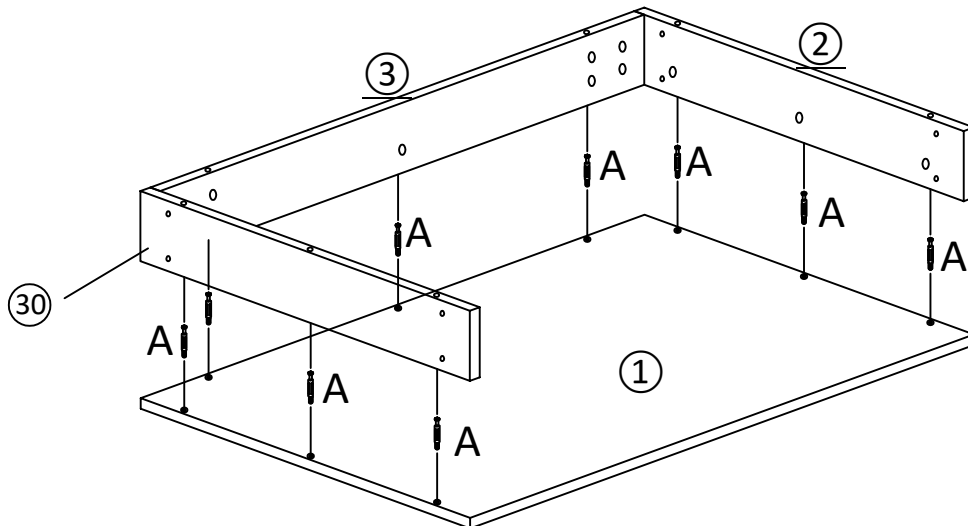
Adjust the left and right of the door

## Start Assembling Furniture

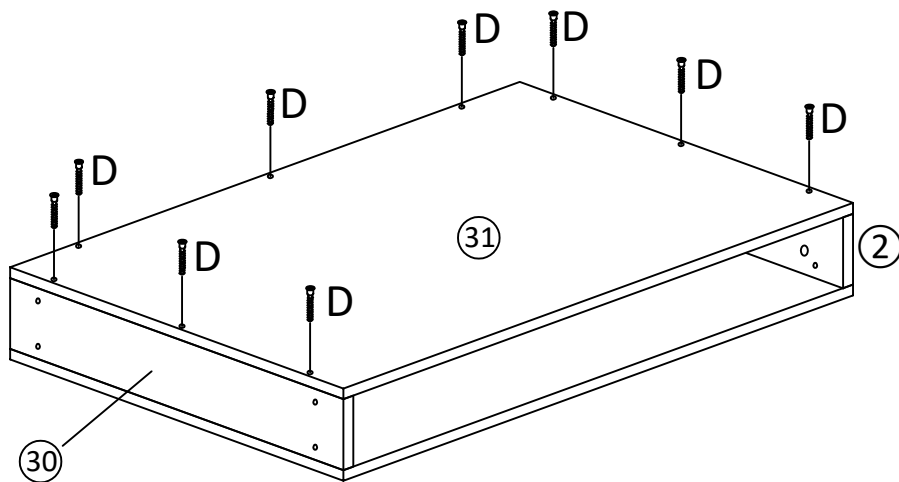
### STEP 1




### STEP 2

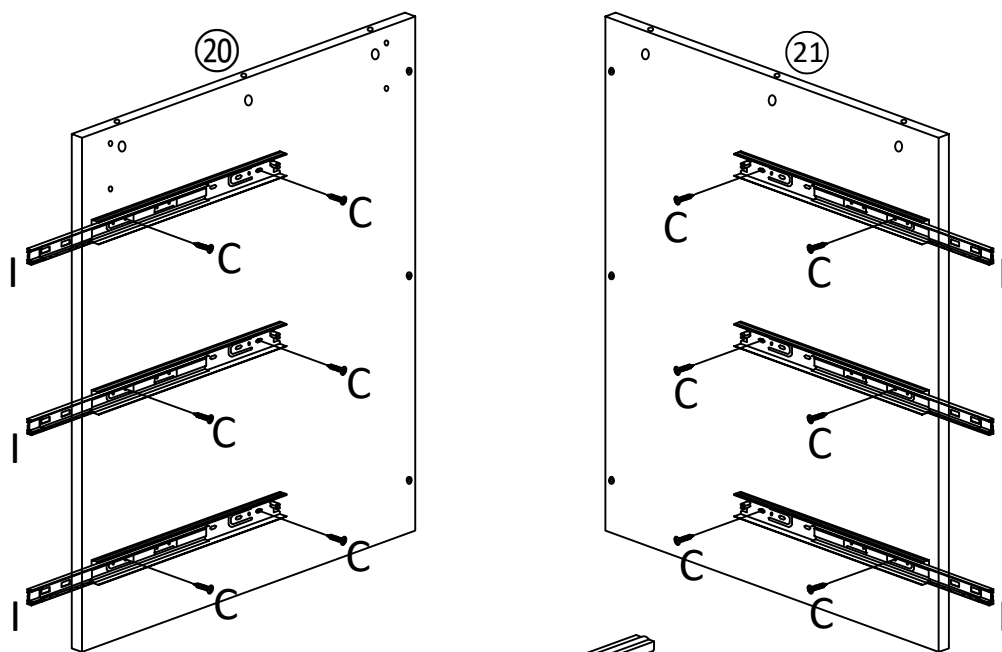


# STEP 3





	Dx9
---	-----

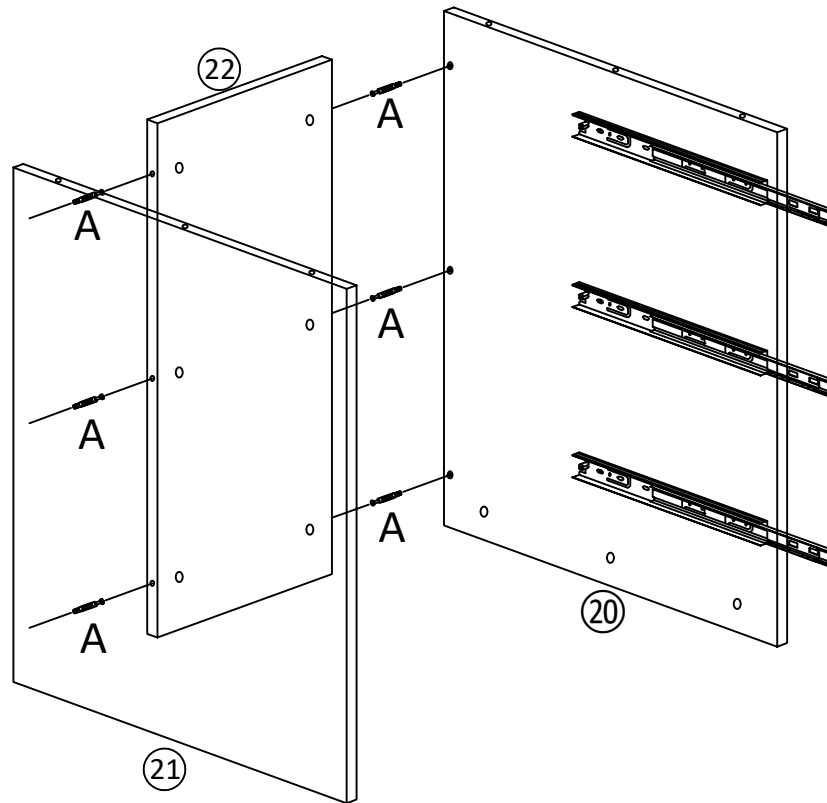
# STEP 4



Please install as shown

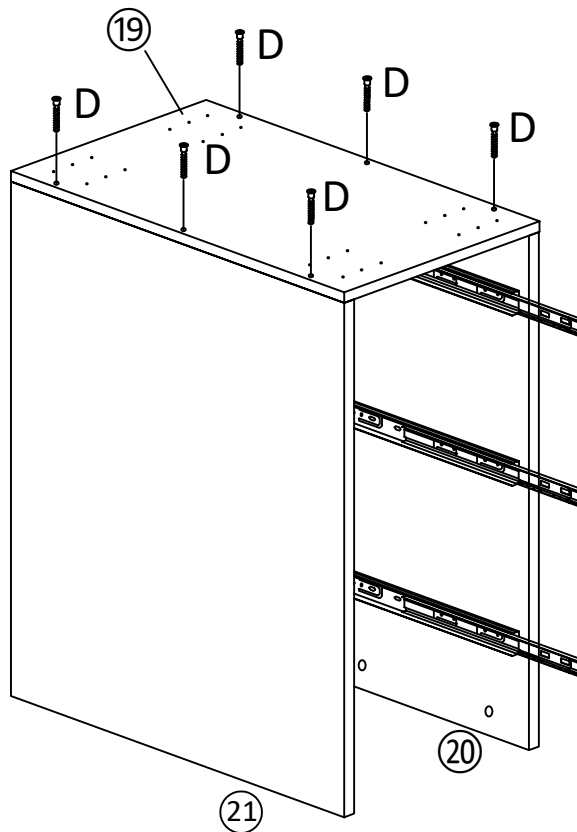
	Ix6
	Cx12

# STEP 5



Ax6

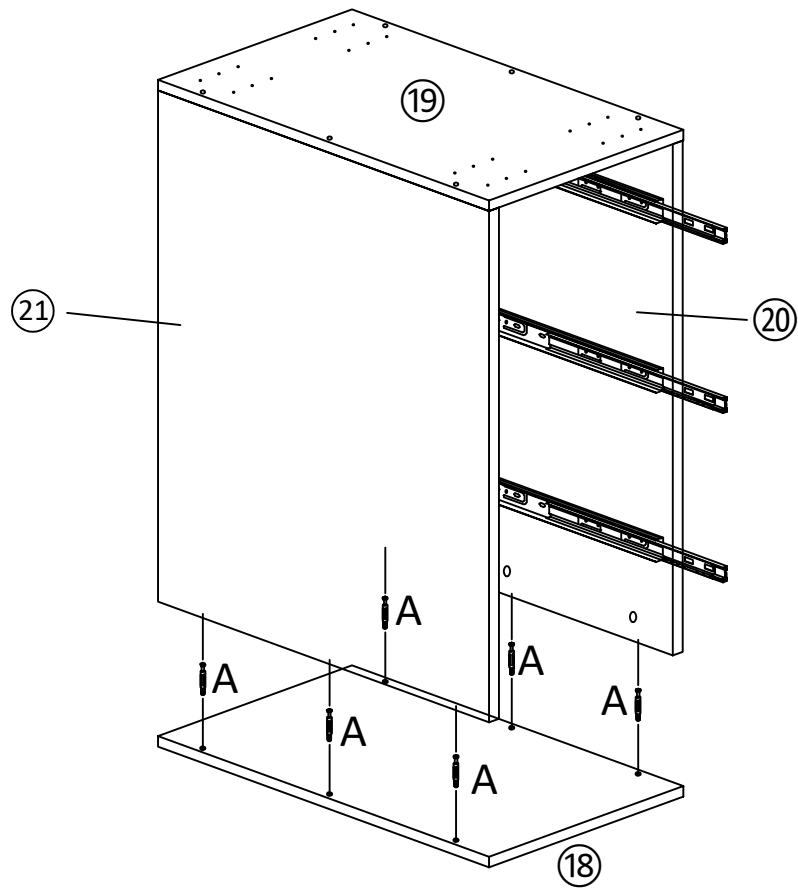
# STEP 6



Dx6

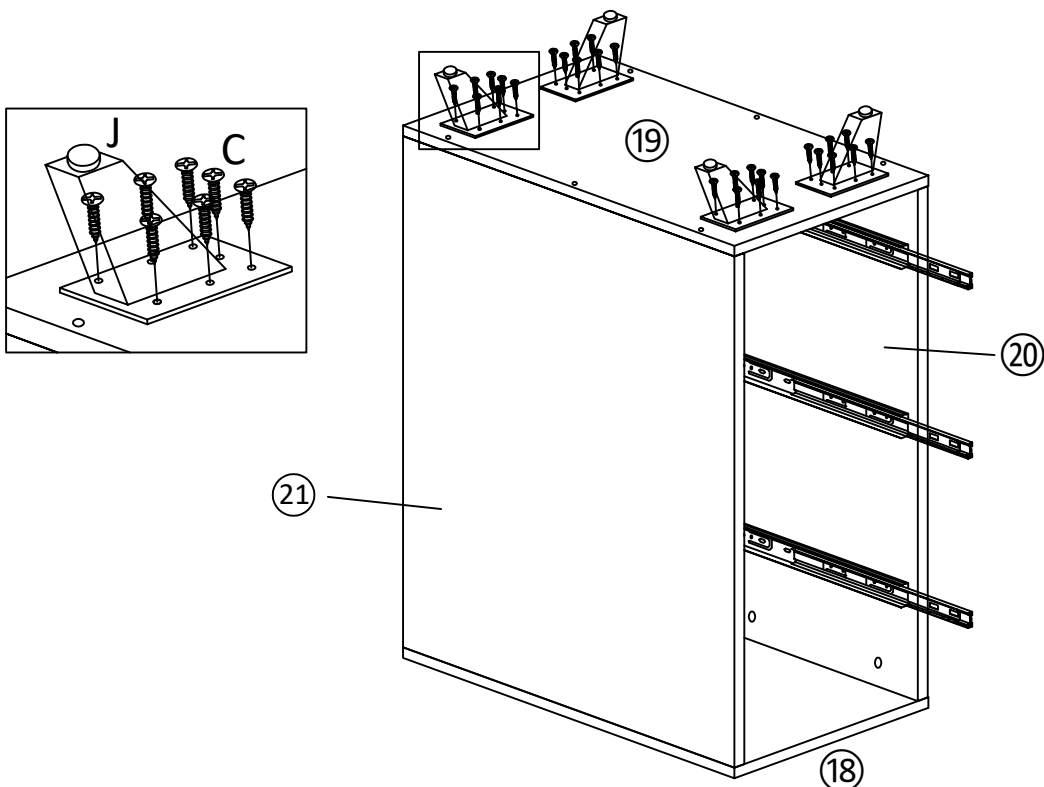


# STEP 7



Ax6

# STEP 8

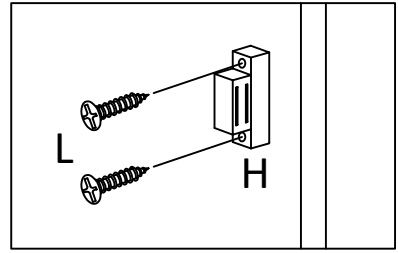
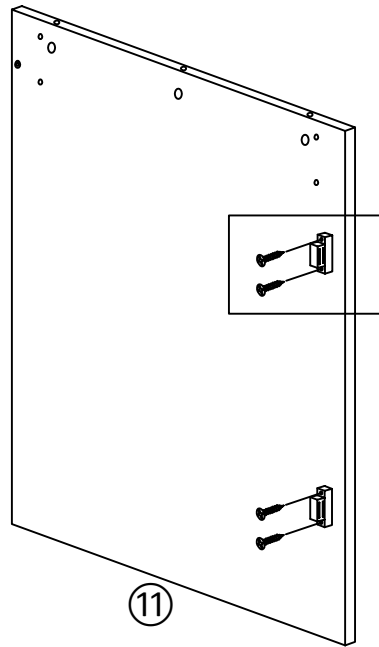




Jx4



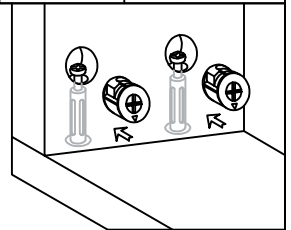
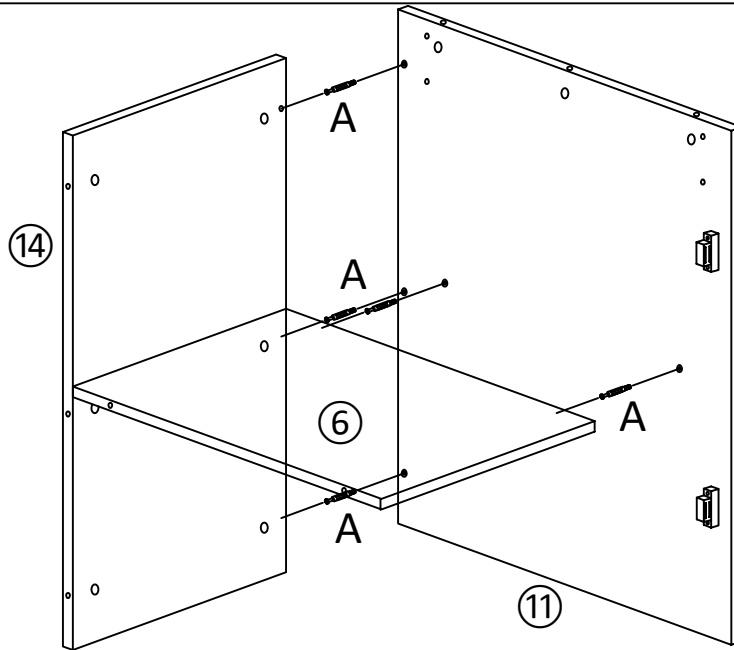
Cx28


# STEP 9



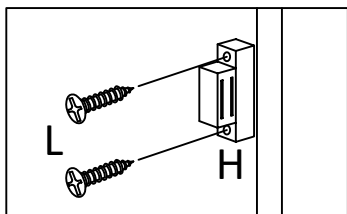
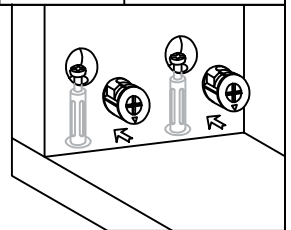
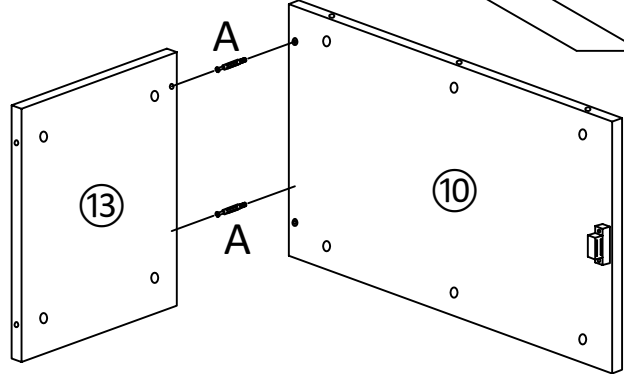
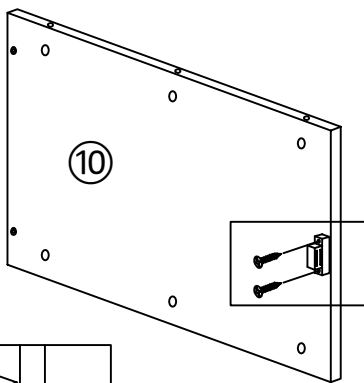
	Lx4
	Hx2




# STEP 10



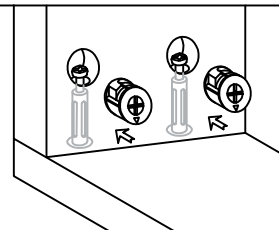
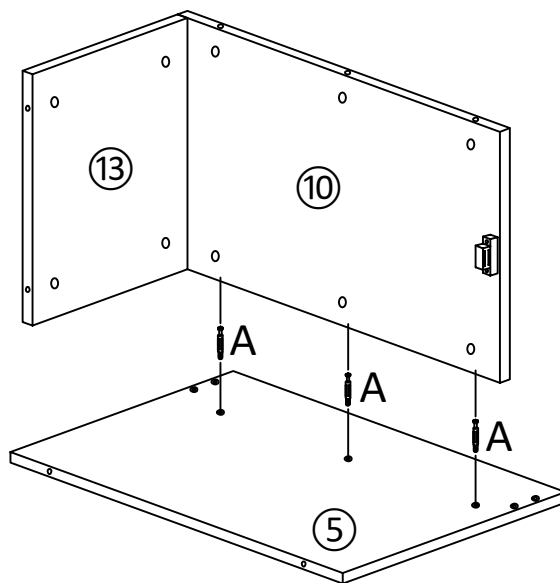
	Ax5
---	-----

# STEP 11

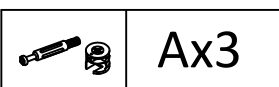
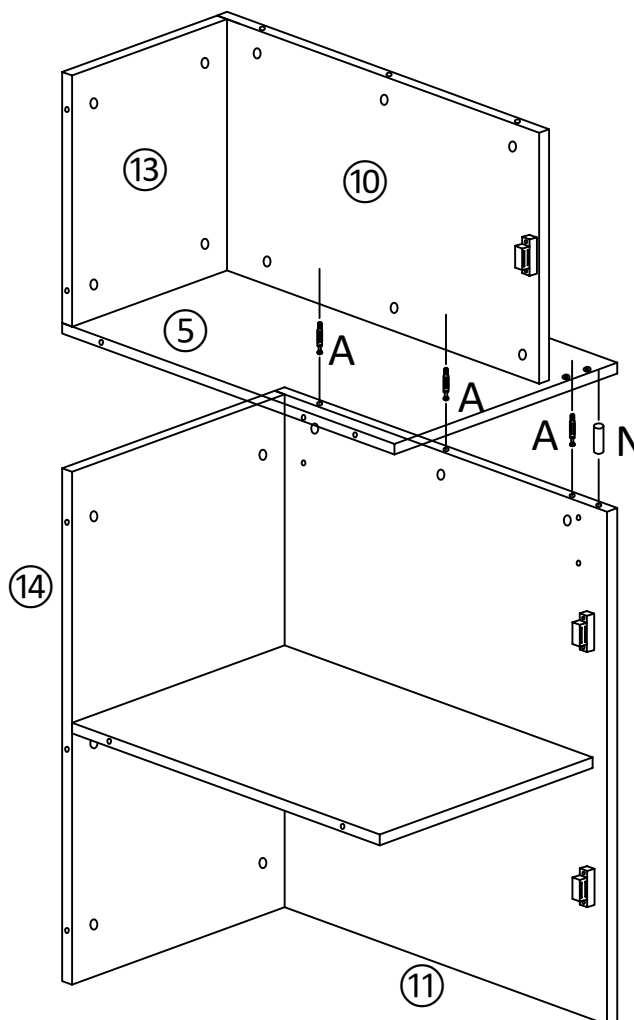




	Hx1
	Lx2
	Ax2

# STEP 12

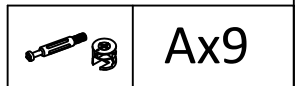
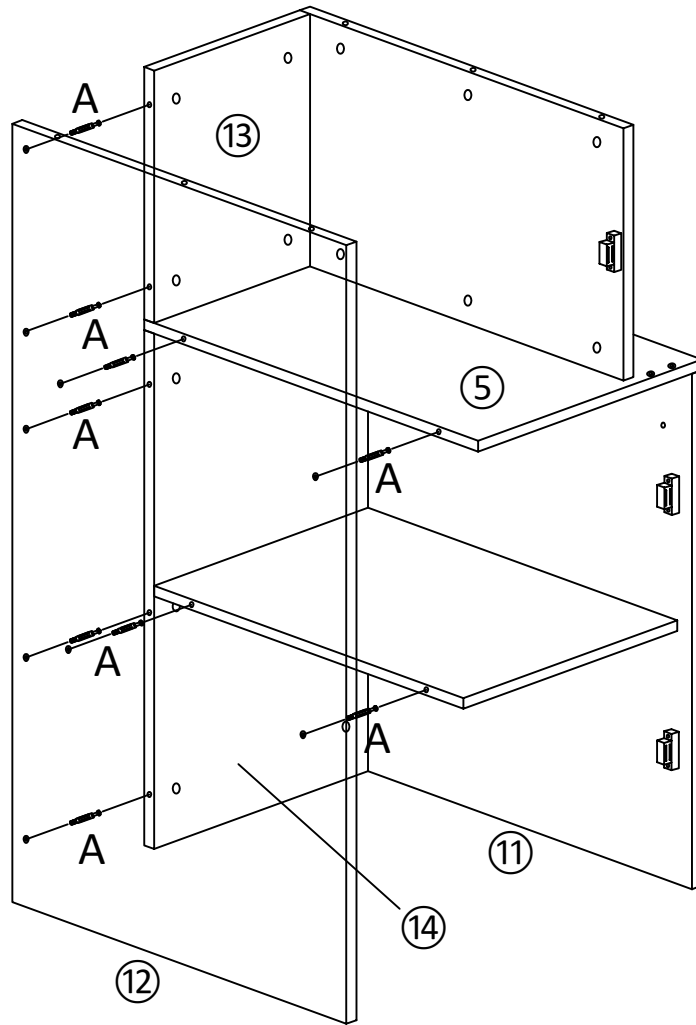


# STEP 13

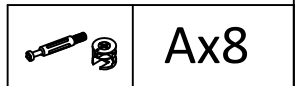
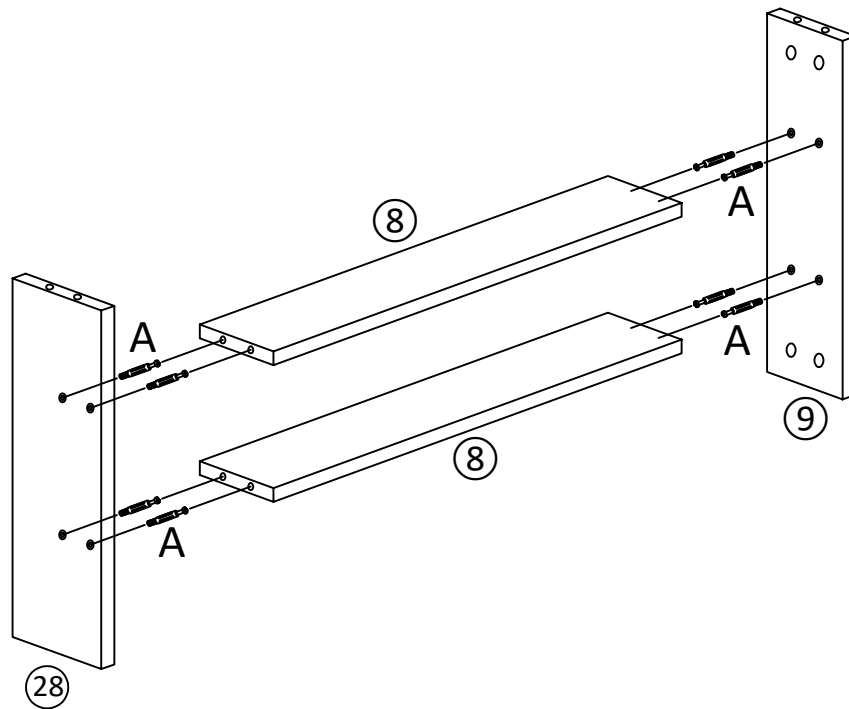


	Nx1
	Ax3

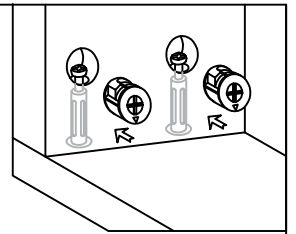
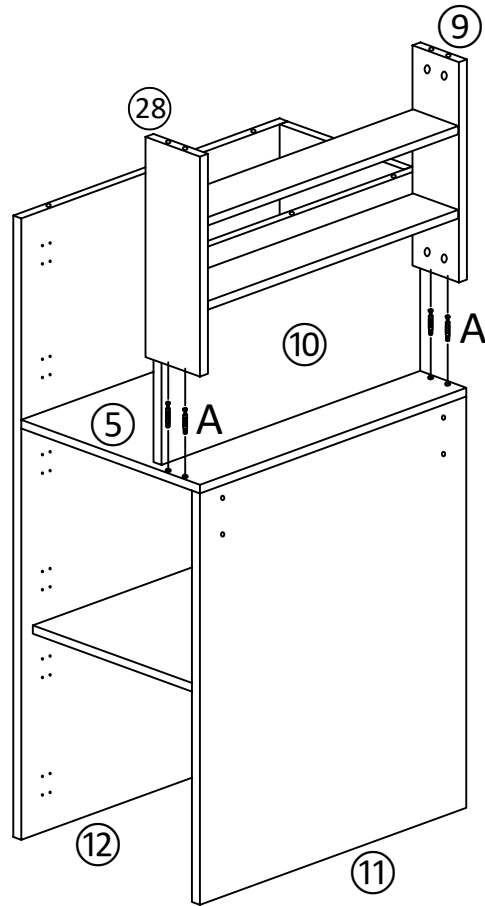
# STEP 14



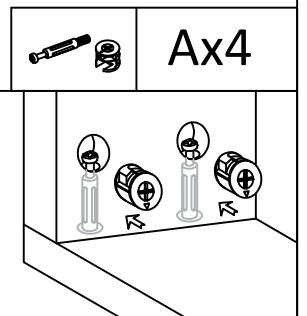
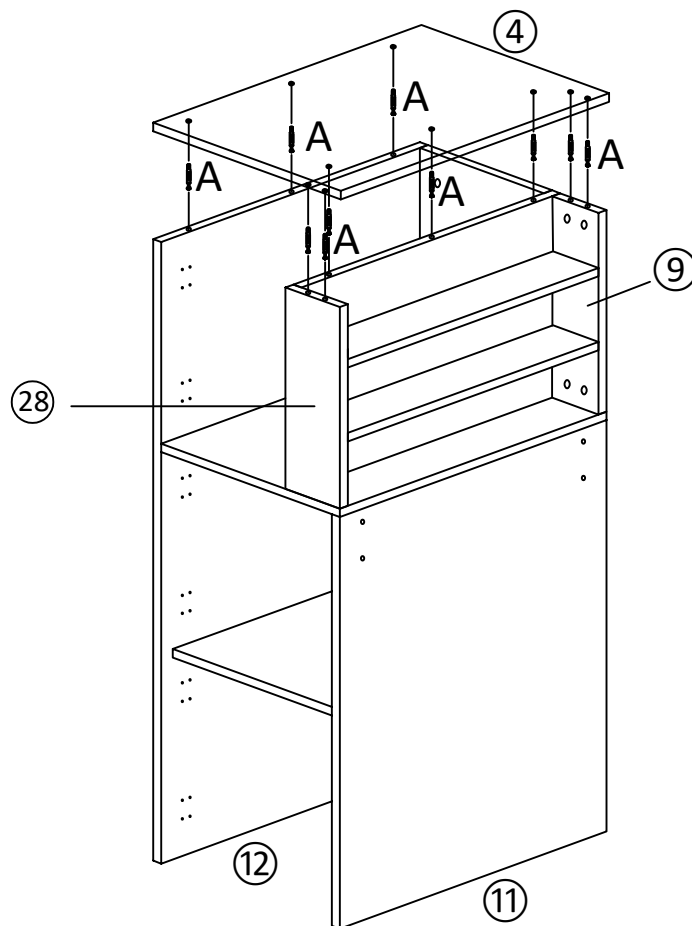
# STEP 15



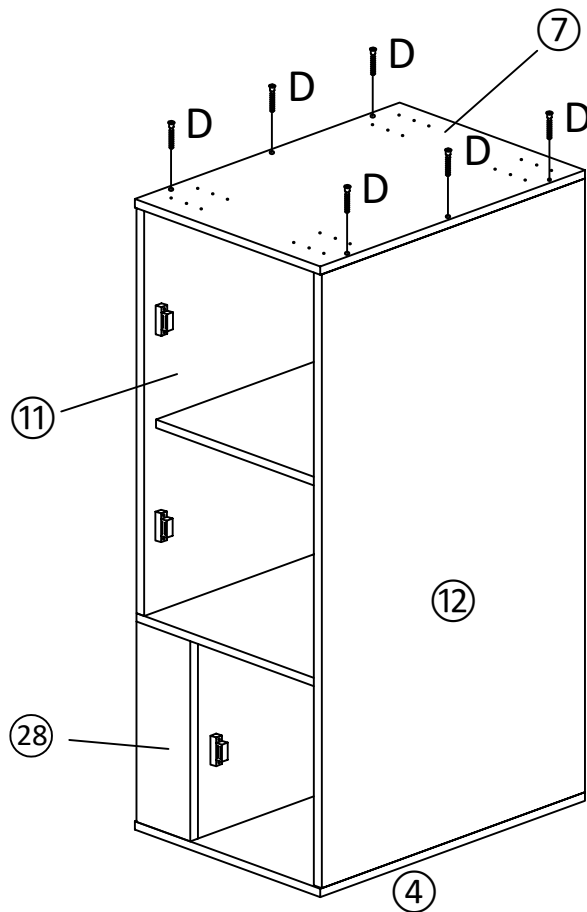
# STEP 16




# STEP 17

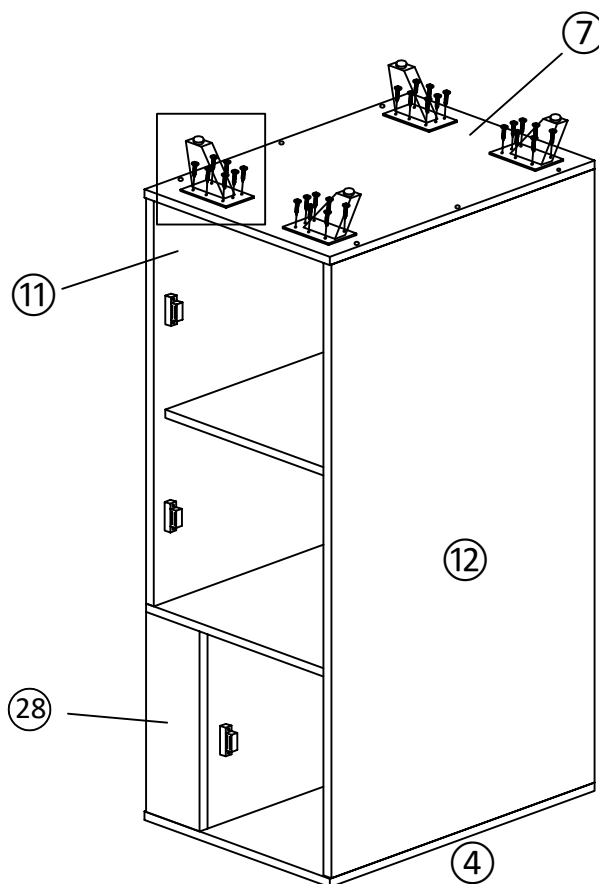
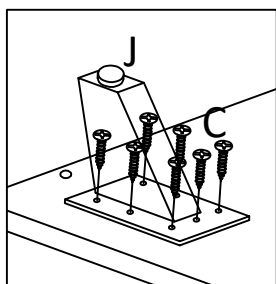




# STEP 18



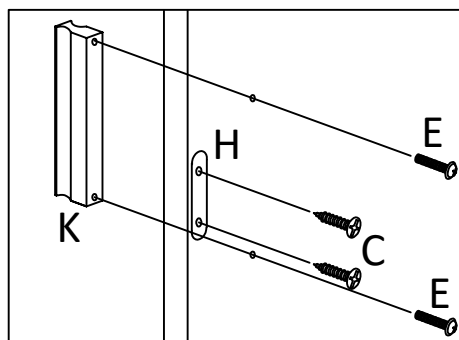
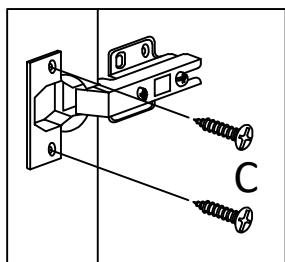
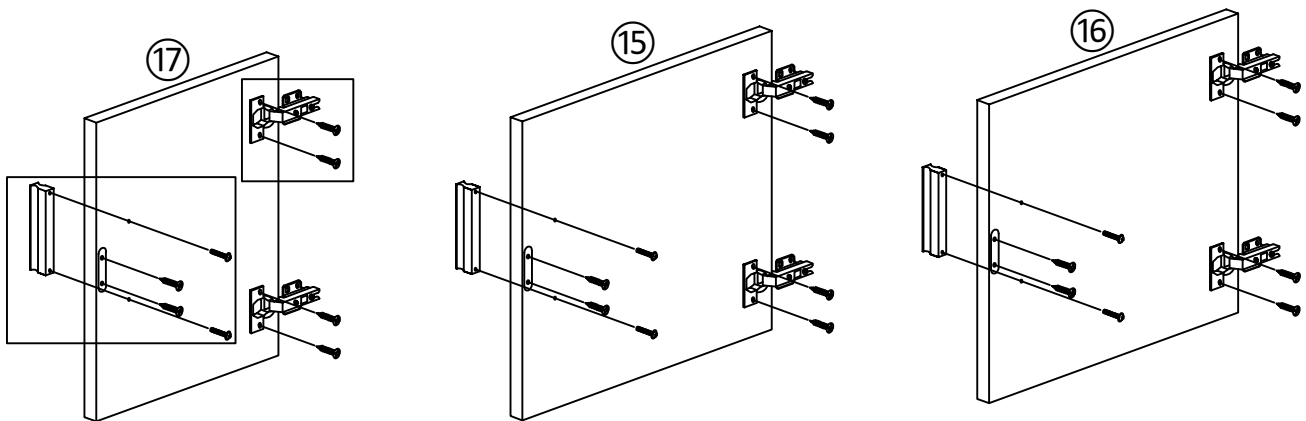
	Dx6
---	-----





# STEP 19



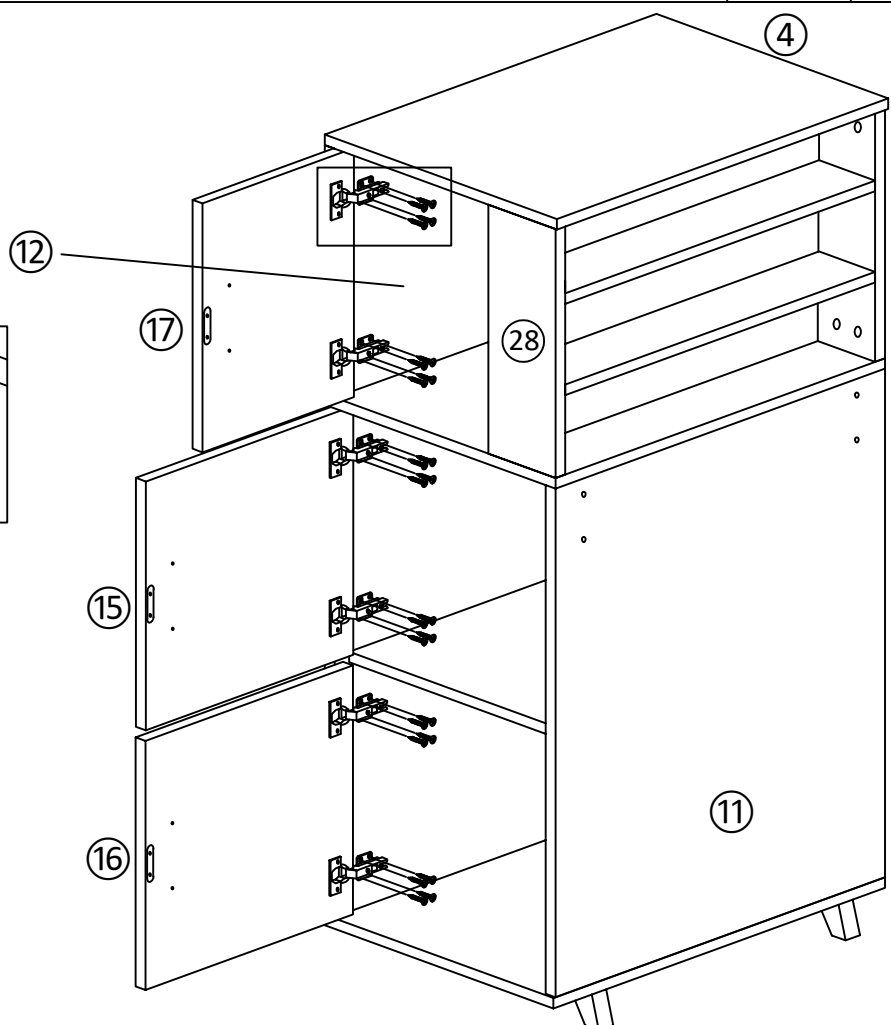
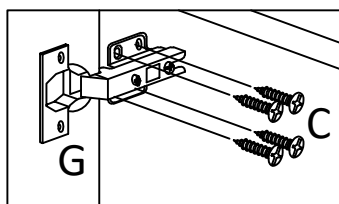
	Jx4
	Cx28



# STEP 20



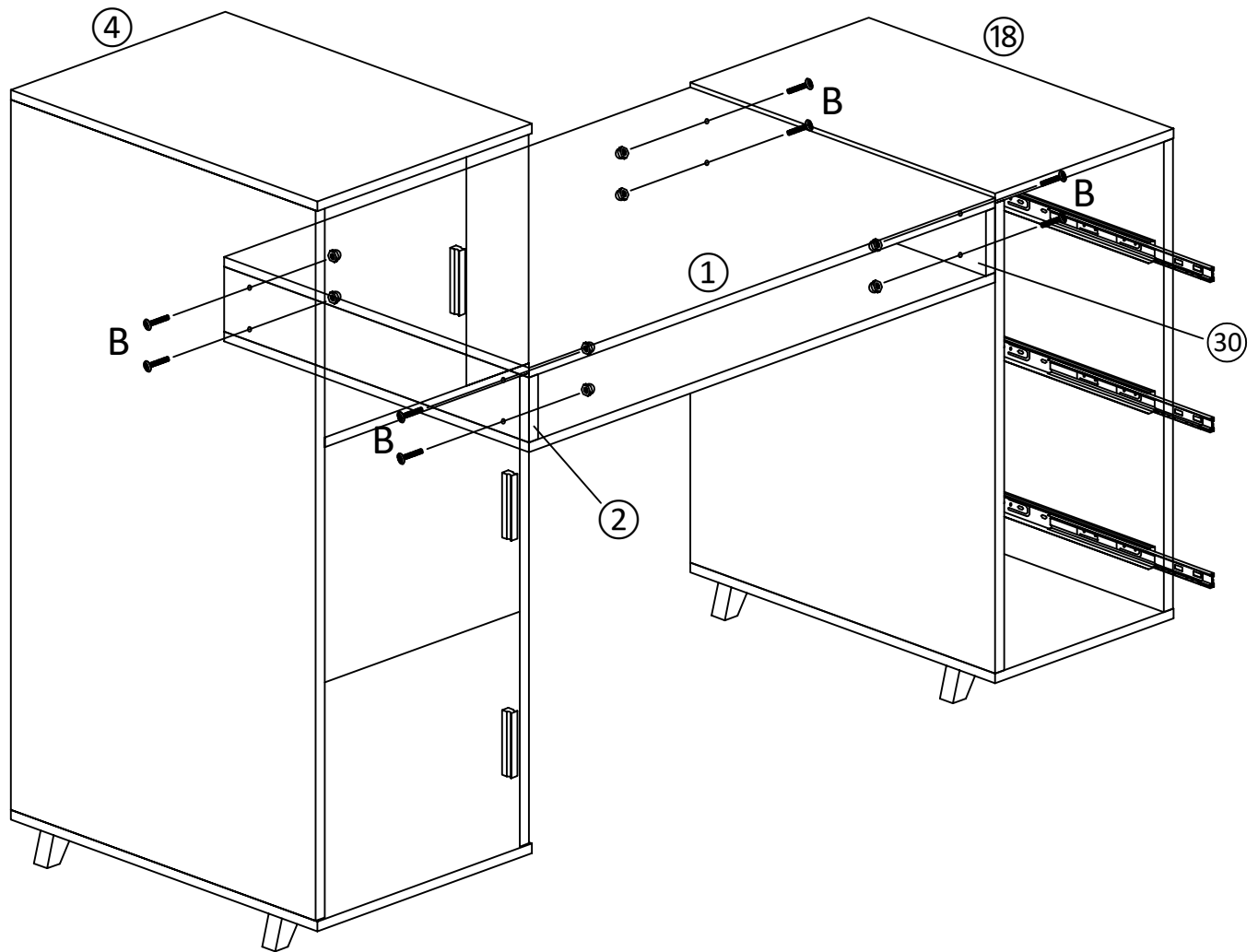
	Kx3
	Hx3
	Ex6
	Cx18

# STEP 21



	Cx24
	Gx6

## STEP 22



Note: It is recommended to install it by two people!

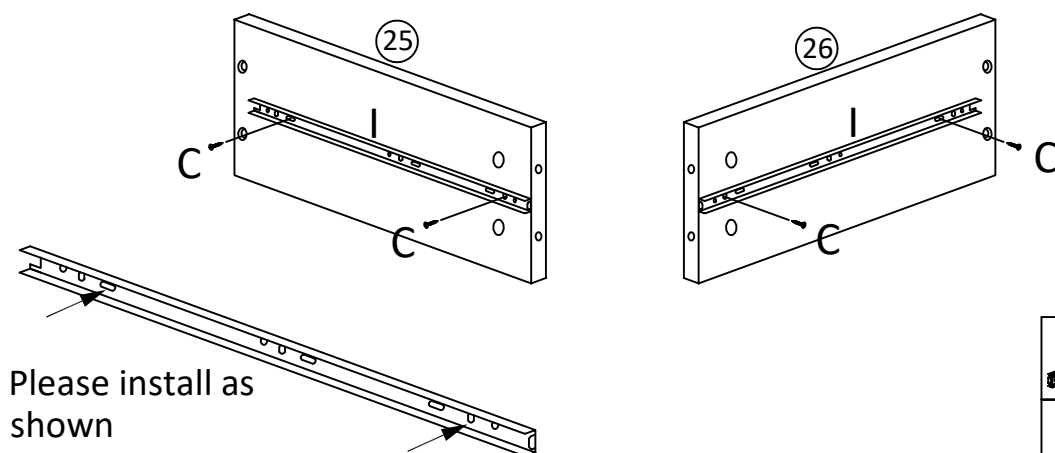
You can install the screws on one side, tighten the nuts, do not need to tighten them, and then install the other side as well, and finally tighten the screws, which are inconsistent with the height of the cabinets on both sides, and the height difference is about 7mm. Install the glass.





Bx8

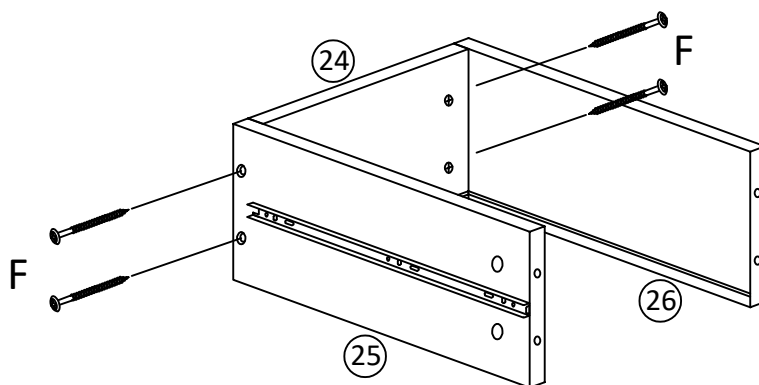


## STEP 23 ×3



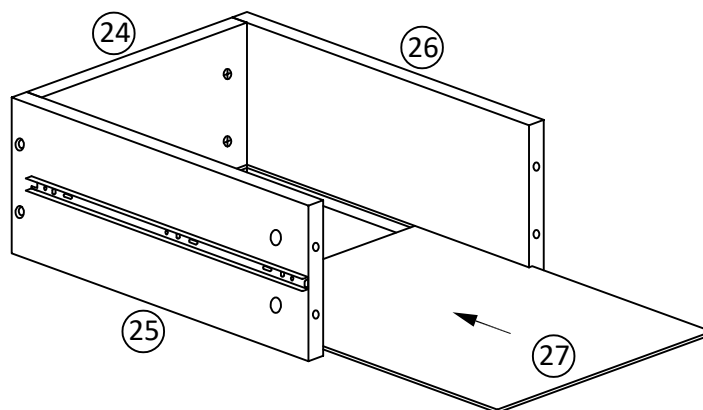
	Ix6
	Cx12

## STEP 24 ×3

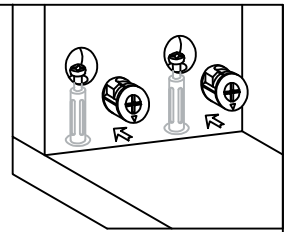
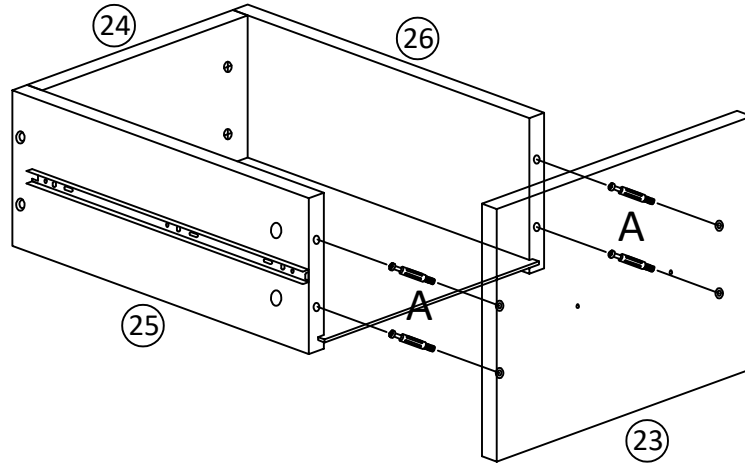



	Fx12
---	------

## STEP 25 ×3

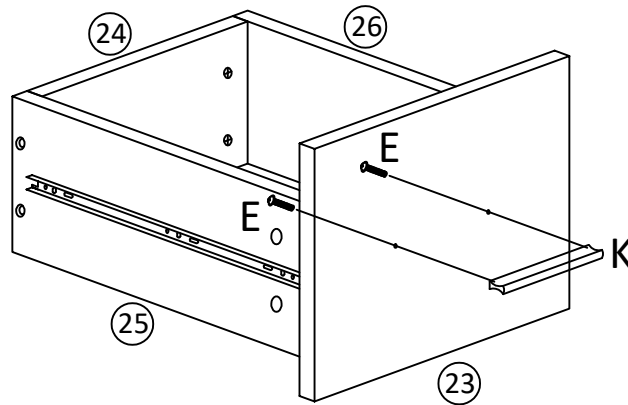




# STEP 26 ×3



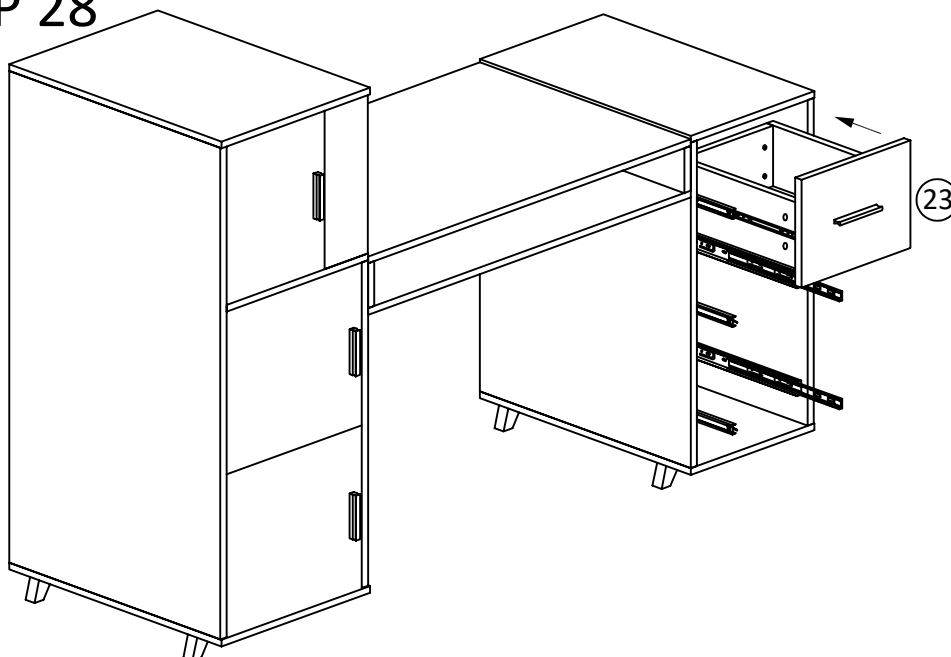
	Ax12
---	------

# STEP 27 ×3

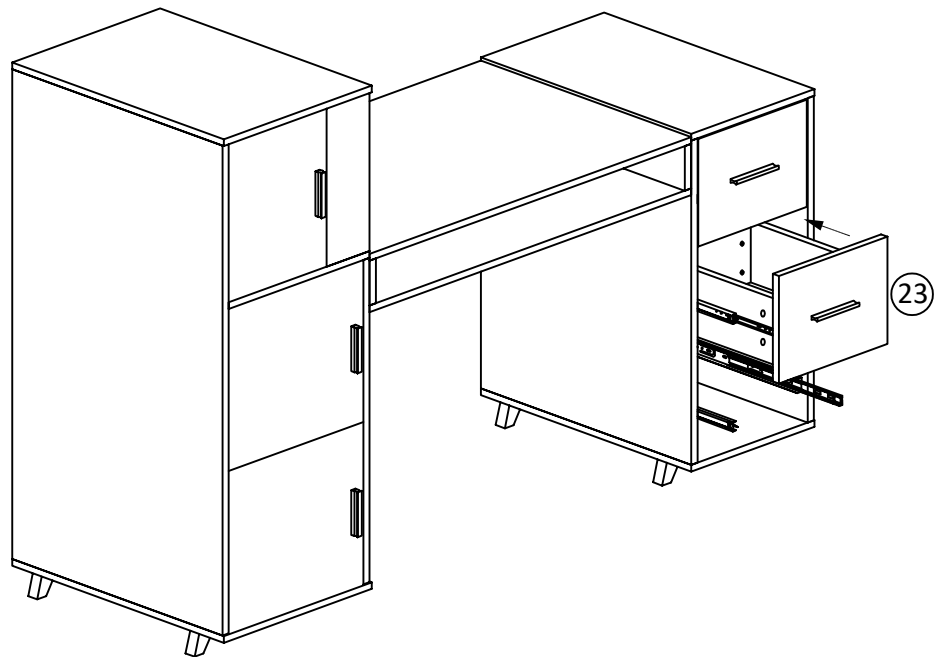


	Kx3
	Ex6

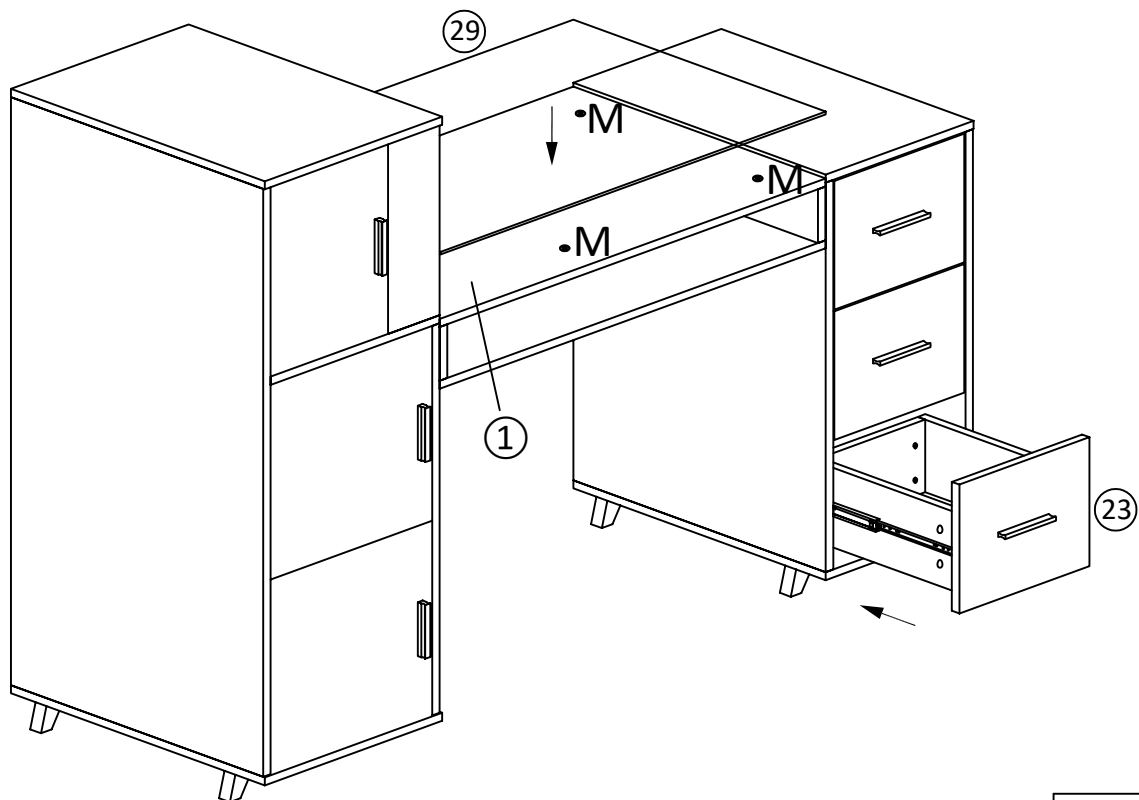
# STEP 28



# STEP 29



# STEP 30



Mx6