

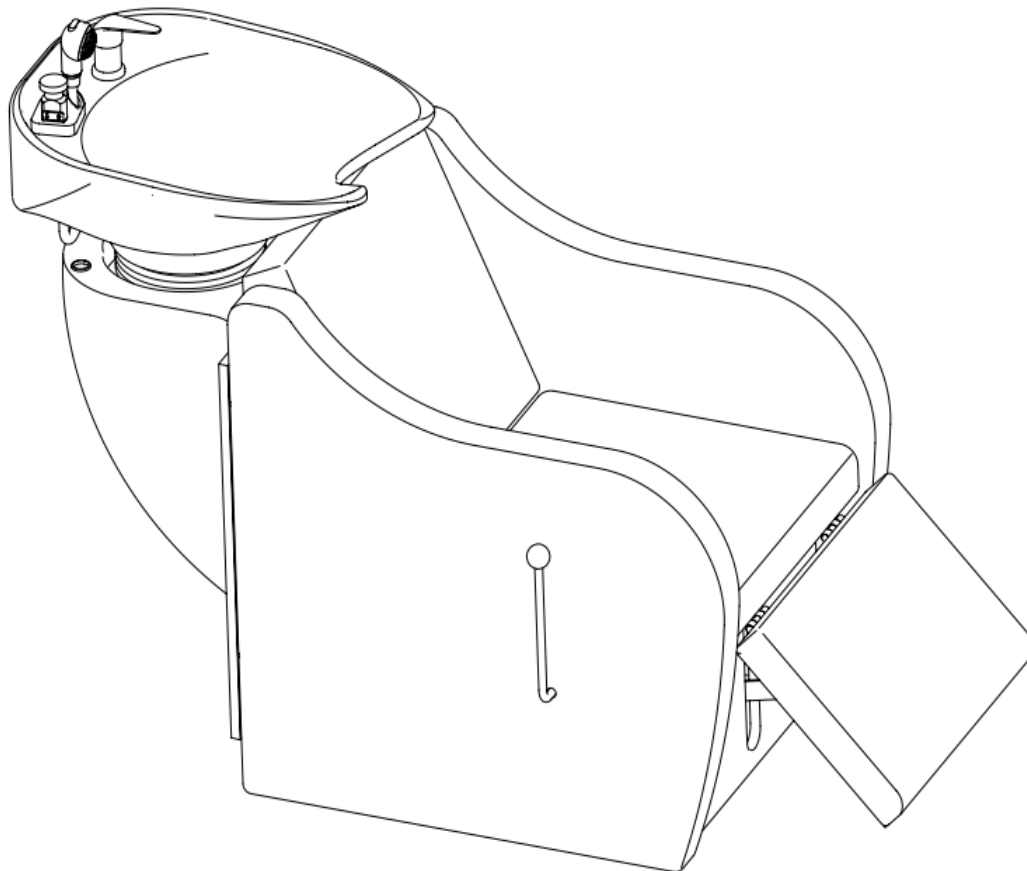
PRODUCT MANUAL

Model# HZ9089



ATTENTION! PLEASE READ THESE INSTRUCTIONS BEFORE USING THIS DEVICE

PRODUCT MANUAL



NOTICE:

If your package is missing parts or you are having issues with assembly, please call us directly or message us, Our customer service team will address any questions or concerns you may have. Have this manual open and ready for reference.

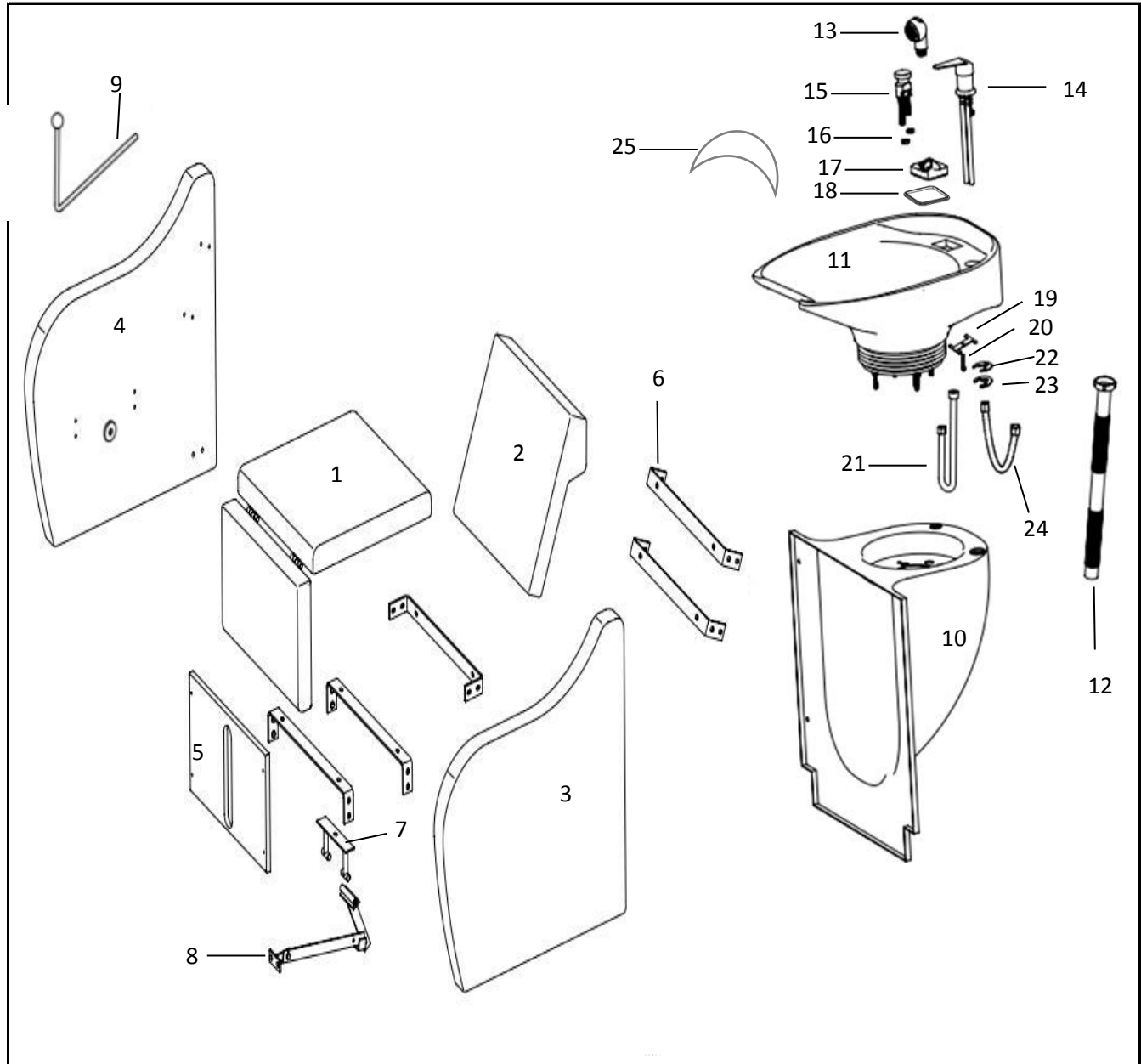


SAFETY

To reduce risk of injury when assembling & using the chair, follow these precautions:

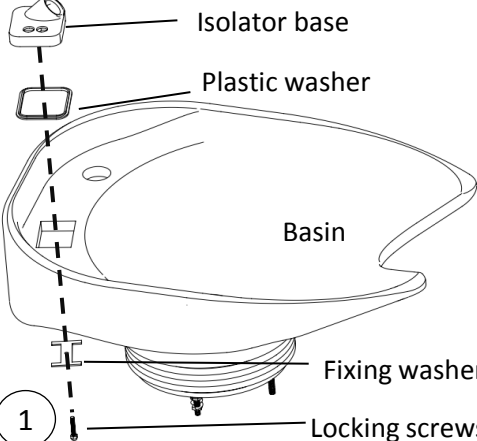
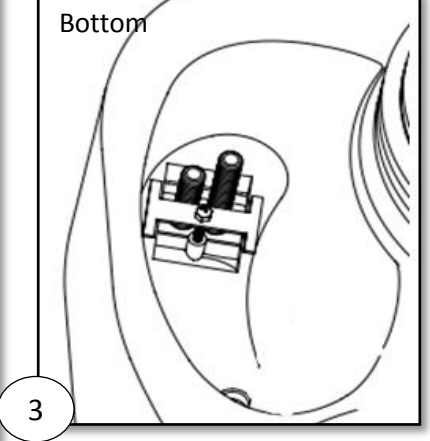
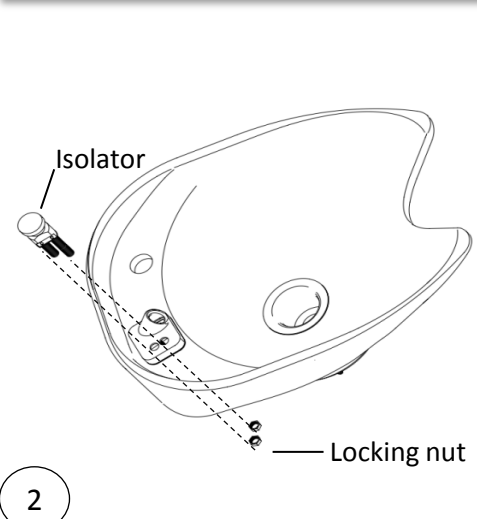
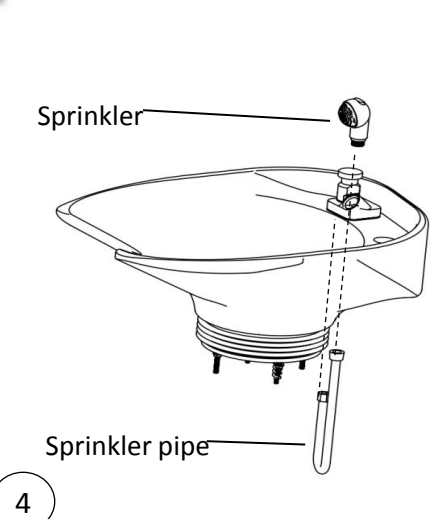
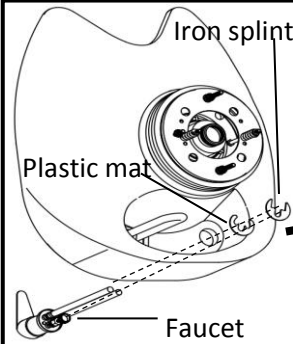
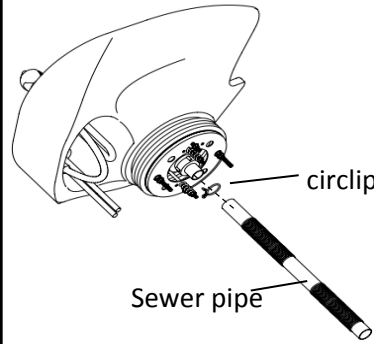
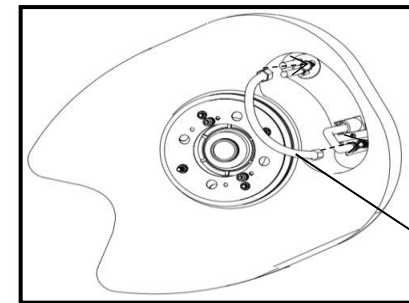
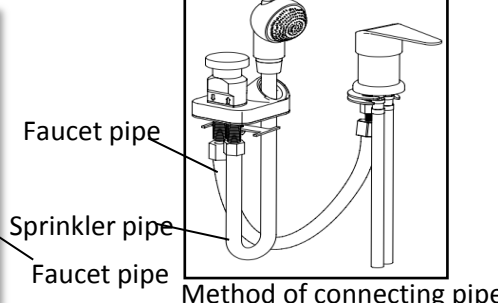
- Read all of these instructions before assembling and using your salon chair.
- It is helpful to have 2 people assemble and turn the chair upright after assembling.
- Do not over-extend the chair(0~150kg), creating the risk of falls or tipping the chair, and its occupant over, resulting in injury

PARTS & FEATURES



number	Picture	Part Name	Number	number	Picture	Part Name	Number
1		Seat cushion&leg-res	1	14		Faucet	1
2		Backrest	1	15		Isolator	1
3		Left handrest	1	16		Locking nut	2
4		Right handrest	1	17		Isolator base	1
5		Isolation board	1	18		Plastic washer	1
6		Handrail connector	5	19		Fixing washer	1
7		Reclining Level Connector	1	20		Locking screws	1
8		Stabilizer Bar	1	21		Sprinkler pipe	1
9		Reclining Lever	1	22		Iron splint	1
10		Basin support	1	23		Plastic mat	1
11		Basin	1	24		Faucet pipe	1
12		Sewer pipe	1	25		Neck-rest	1
13		Sprinkler	1	26		Screws	6

INSTALLATION INSTRUCTION

<p>First: Install the basin (1)</p>	 <p>Isolator base Plastic washer Basin Fixing washer Locking screws</p> <p style="text-align: center;">1</p>	 <p>Bottom</p> <p style="text-align: center;">3</p>
<p>Step 1 . Install Isolator base , Plastic washer , Fixing washer and Sprinkler pipe to the basin.</p> <p>Step 2 . Install Isolator and Locking nut to the basin.</p> <p>Step 3 . Install Sprinkler and Sprinkler pipe to the basin.</p> <p>Please follow up the diagram beside</p>	 <p>Isolator Locking nut</p> <p style="text-align: center;">2</p>	 <p>Sprinkler Sprinkler pipe</p> <p style="text-align: center;">4</p>
<p>Second : Install the basin(2)</p> <p>Step 1 . Install the faucet , plastic mat and iron splint to the basin.</p> <p>Step 2 . Install the faucet pipe to the faucet and isolator.</p> <p>Step 3 . Install the sewer pipe on bottom of the basin , then tighten it by circlip.</p> <p>Please follow up the diagram beside</p>	 <p>Iron splint Plastic mat Faucet</p>	 <p>Bottom circlip Sewer pipe</p>
		 <p>Faucet pipe Sprinkler pipe Faucet pipe Method of connecting pipe</p>

Third : Install handrests ,seat cushion&leg-rest , handrail connectors and

(Don't tighten all bolts)

Step 1 . Remove 4 bolts which pre-fixed on the seat cushion and Install 2 handrail connectors to the seat cushion&leg-rest by the 4 bolts .

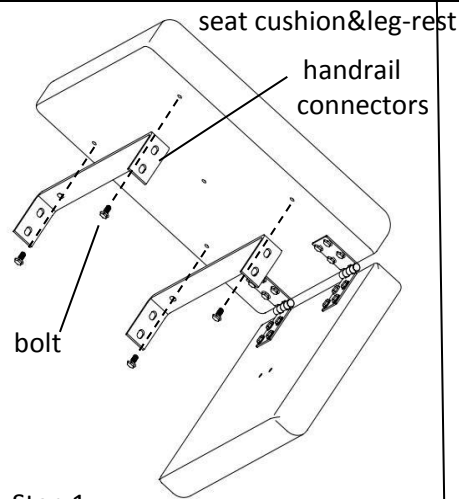
Step 2 . Install 2 handrail connectors to the backrest.

Step 3 . Install the backrest which installed 2 handrail connectors to the left handrest .

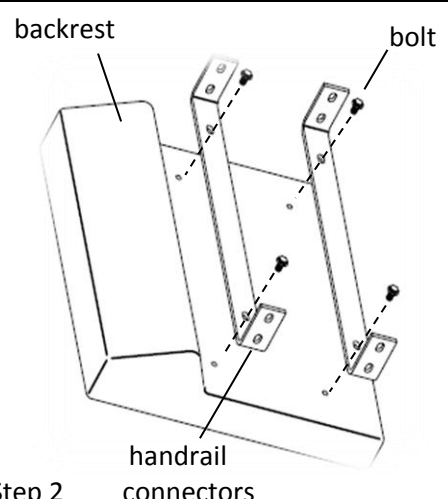
Step 4 .Install the backrest which installed 2 handrail connectors to the left handrest . Step 5 .Install the seat cushion&leg-rest which installed 2 handrail connectors and the last handrail connector to the left handrest .

Step 5 . Install right handrest .

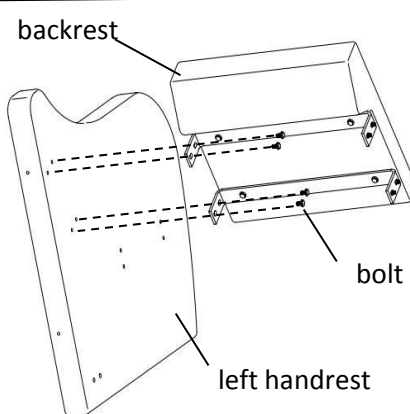
Please follow up the diagram beside.



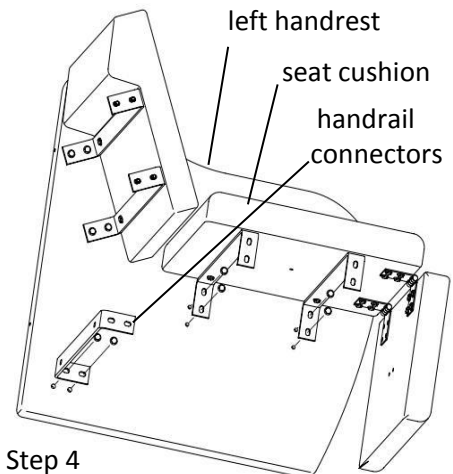
Step 1



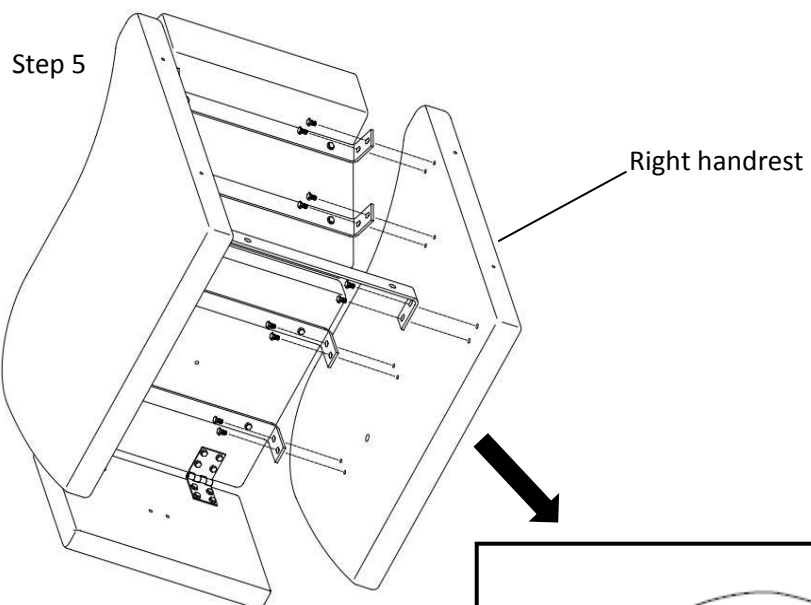
Step 2



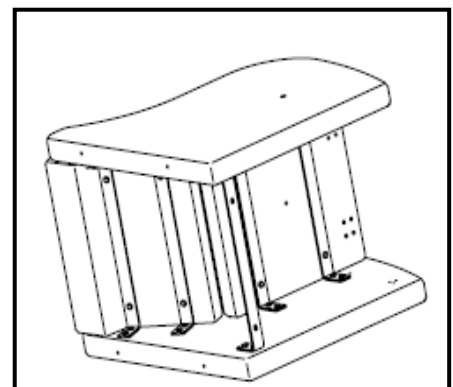
Step 3



Step 4



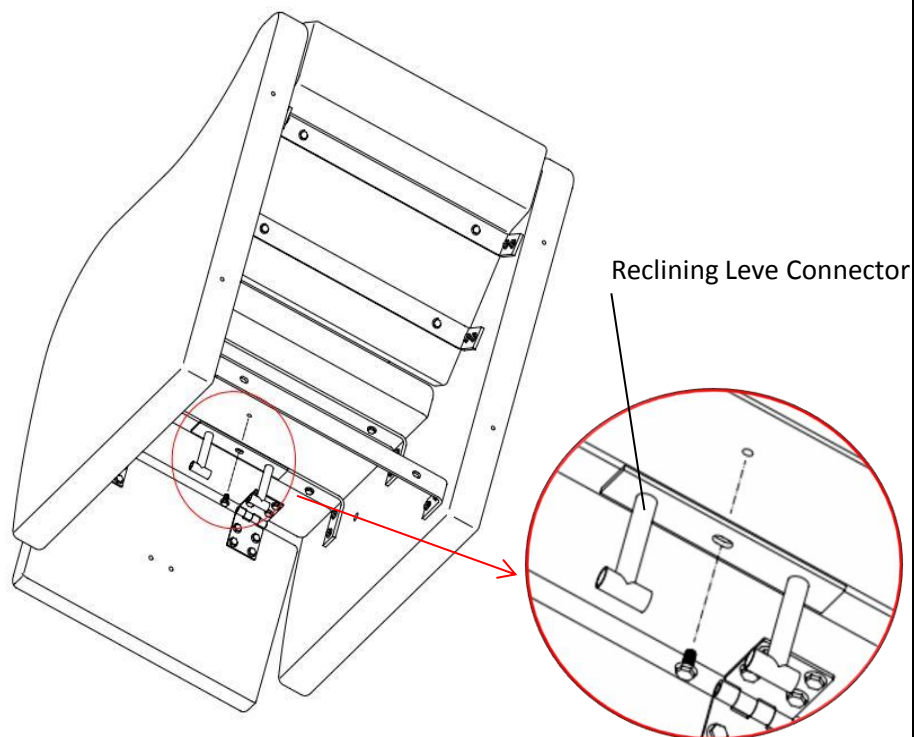
Step 5



**Fourth : Install Reclining
Leve Connector**

Step 1 . Remove the bolt
which pre-fixed on the bottom
of the seat cushion and Install
Reclining Leve Connector to
the bottom of seat cushion by
the bolt .

**Please follow up the diagram
beside.**

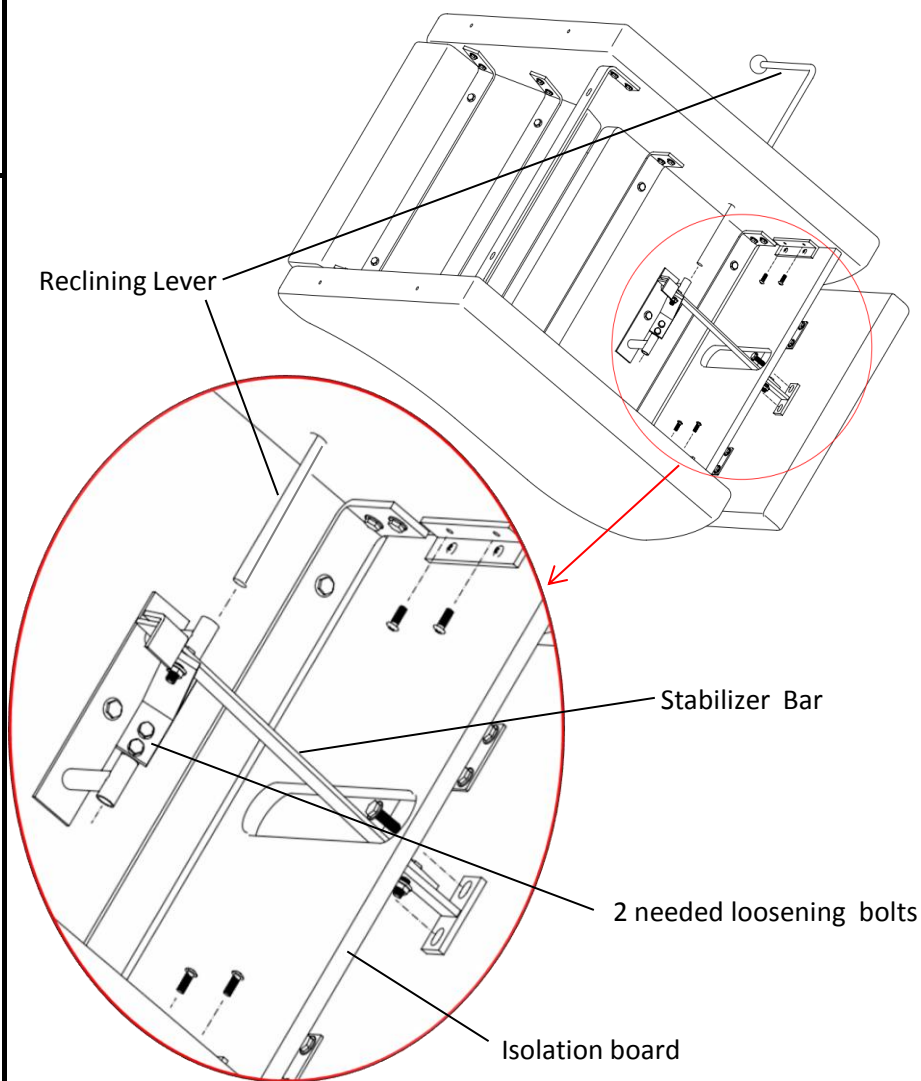


**Fifth : Install Stabilizer Bar
,Isolation board and
Reclining Lever**

Step 1 . Remove the 4 bolts
which pre-fixed on the
handrests and loosen the 2
bolts which pre-fixed on the
side of Stabilizer Bar and
remove the 2bolts which pre-
fixed on the leg-rest. Step
2 . Insert Stabilizer Bar
through the hole of Isolation
board.

Step 3 . Insert the
Reclining Lever through the
hole of right handrest into
Reclining Leve Connector
and Stabilizer Bar,then
tighten the 2 loosened bolts.
Step 4 . Please follow up the
diagram beside , tighten All
bolts .

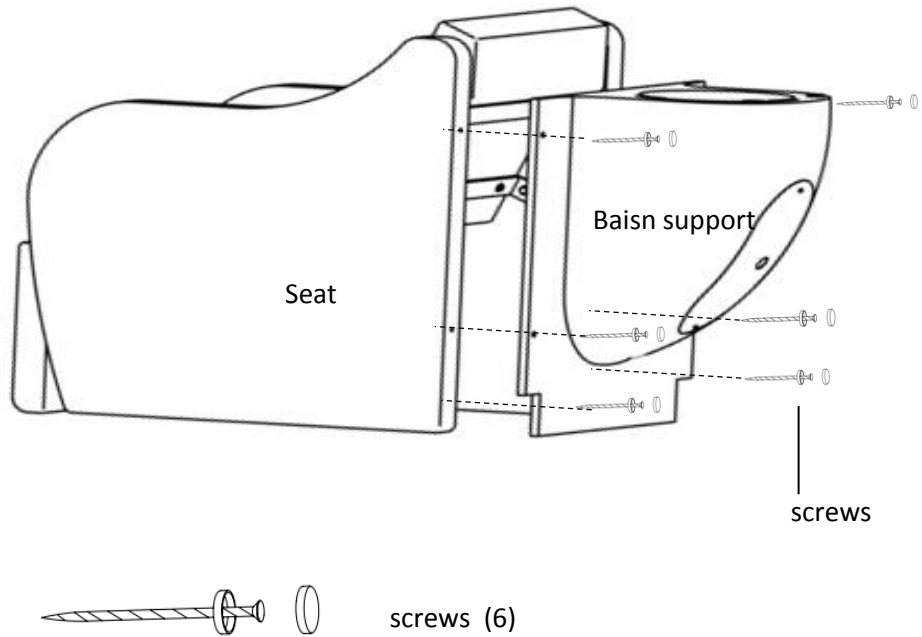
**Adjusting and make sure all
parts of the seat are OK and**



Sixth : Install basin support to the seat

Step 1 . Install the basin support to the seat by the 6 screws.

Please follow up the diagram beside.



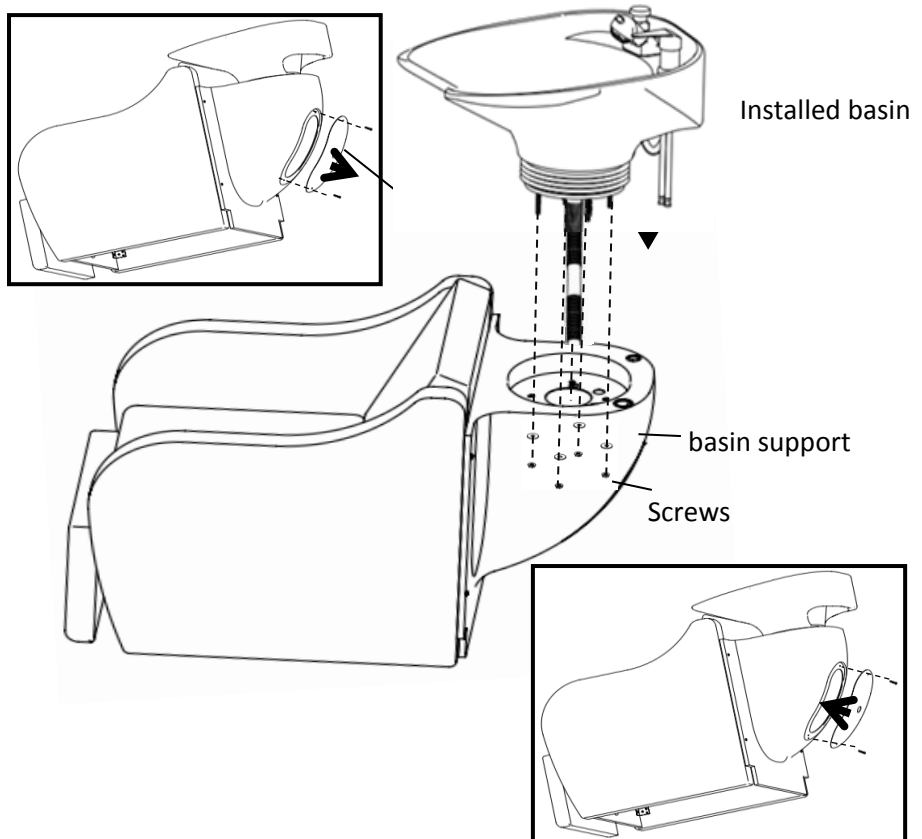
Fourth : Install the installed basin to the installed seat & basin support

Step 1 . Remove the cover of the basin support and remove the screws which pre-fixed on bottom of the basin

Step 2 . Install the basin to the basin support by the given screws.

Step 3 . Install the removed cover of basin support .

Please follow up the diagram beside.



OPERATING THE CHAIR

Recline the Legrest

- Push Lever on side of chair back to allow the legrest of the seat to raise up.
- Pull lever forward to allow the legrest to lower down.

