

PRODUCT MANUAL

Model# H Z 9 0 2 0



ATTENTION! PLEASE READ THESE INSTRUCTIONS BEFORE USING THIS DEVICE

PRODUCT MANUAL



NOTICE:

If your package is missing parts or you are having issues with assembly, please call us directly. Our customer service team will address any questions or concerns you may have. Have this manual open and ready for reference.



SAFETY

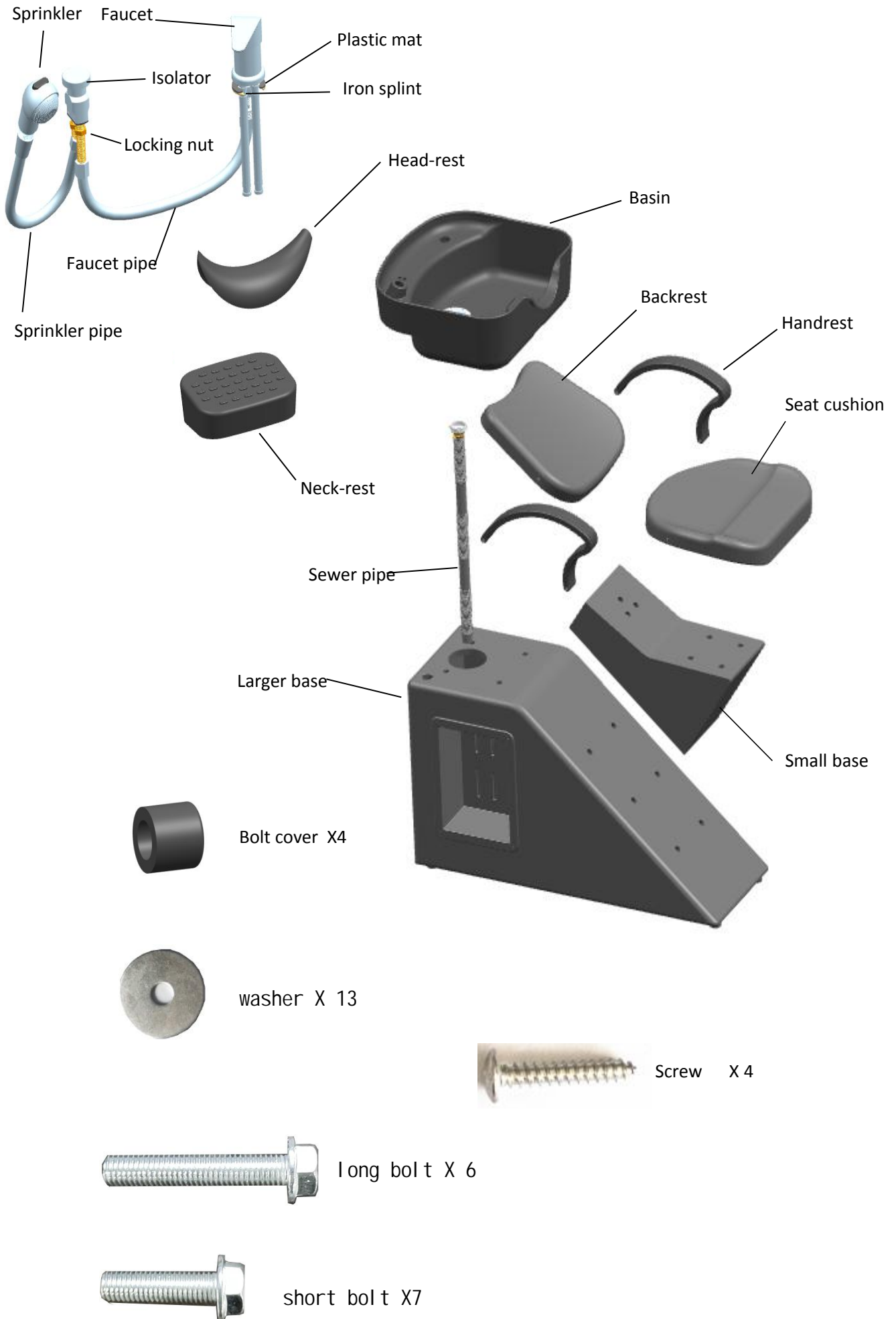
To reduce risk of injury when assembling & using the chair, follow these precautions:

- Read all of these instructions before assembling and using your salon chair.
- It is helpful to have 2 people assemble and turn the chair upright after assembling.
- Do not over-extend the chair(0~150kg), creating the risk of falls or tipping the chair, and its occupant over, resulting in injury

OTHER ITEMS YOU WILL NEED (not included)

- Hand Tools:Wrench,Rubber Mallet,Screwdriver (Phillips),Sturdy box

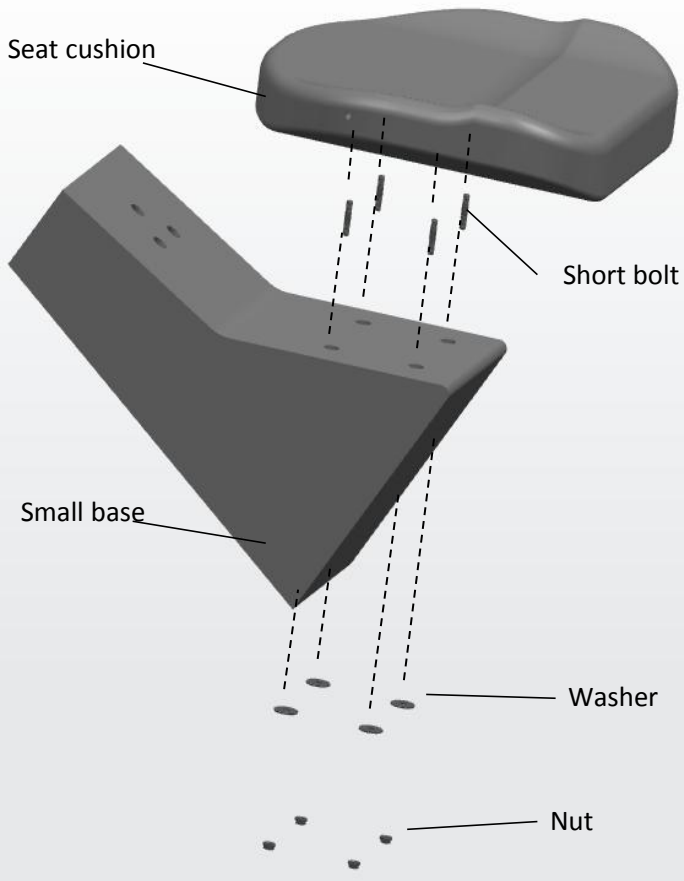
PARTS & FEATURES



Installation instruction

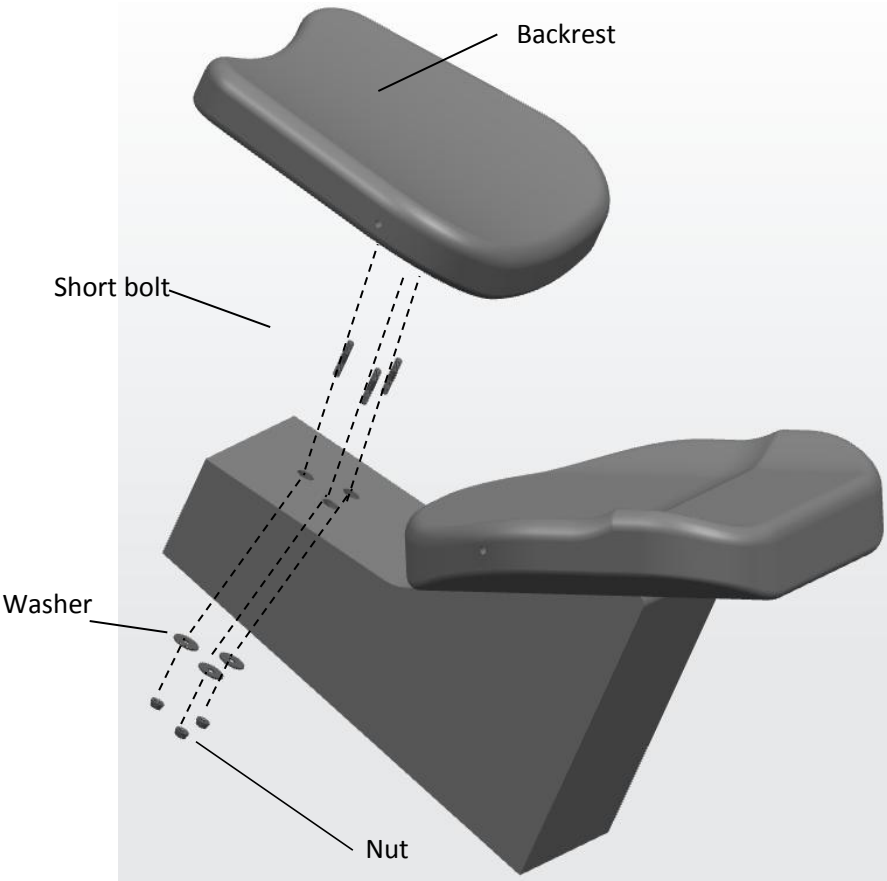
First: Install the seat cushion to small base

Step 1 . Install 4 short bolts to the seat cushion.
Step 2 . Install seat cushion to the small base with 4 washers and nuts.
please follow up the diagram beside



Second: Install Backrest to small base

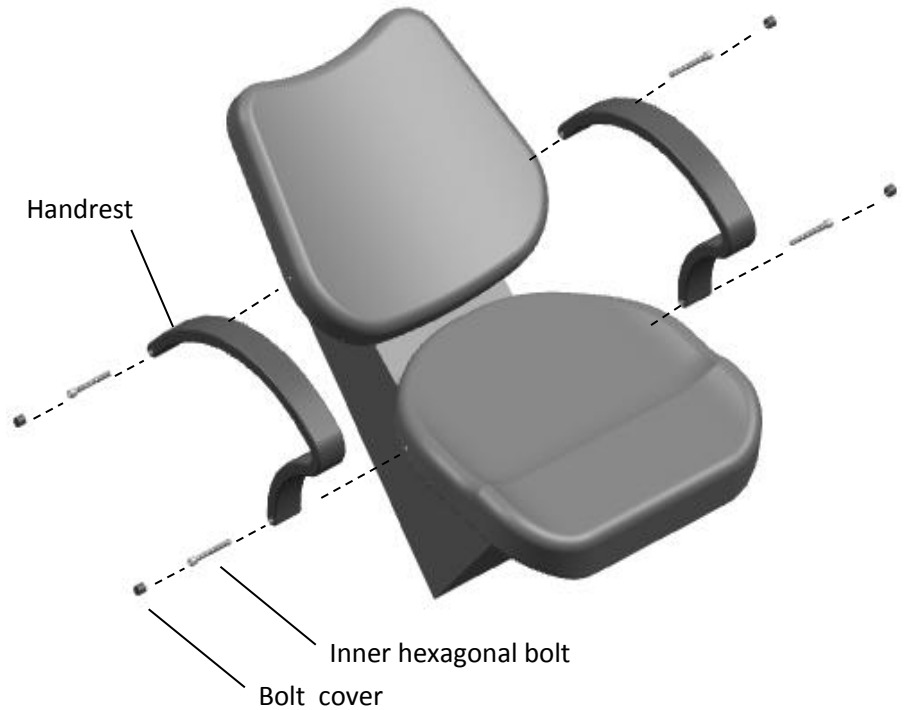
Step 1 . Install 3 short bolts to the backrest.
Step 2 . Install backrest to the small base with 3 washers and nuts.
please follow up the diagram beside



**Third : Install handrests to
Installed seat cushion &
backrest**

Step 1 . Remove the 4 Inner hexagonal bolts which pre-
fixed in the seat cushion and
backrest. Step 2 . Install 2
handrests to the installed
small base & seat cushion &
backrest with 4 Inner
hexagonal bolts and 4 Bolt
covers.

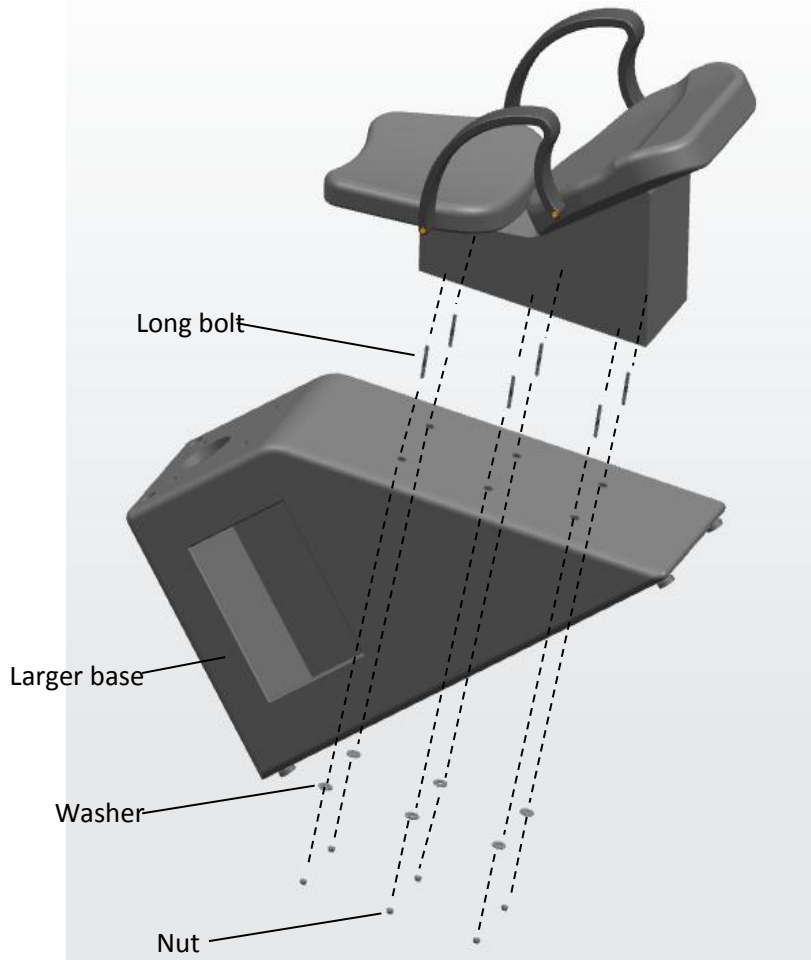
please follow up the diagram
beside



**Forth : Install the small
base to the larger base**

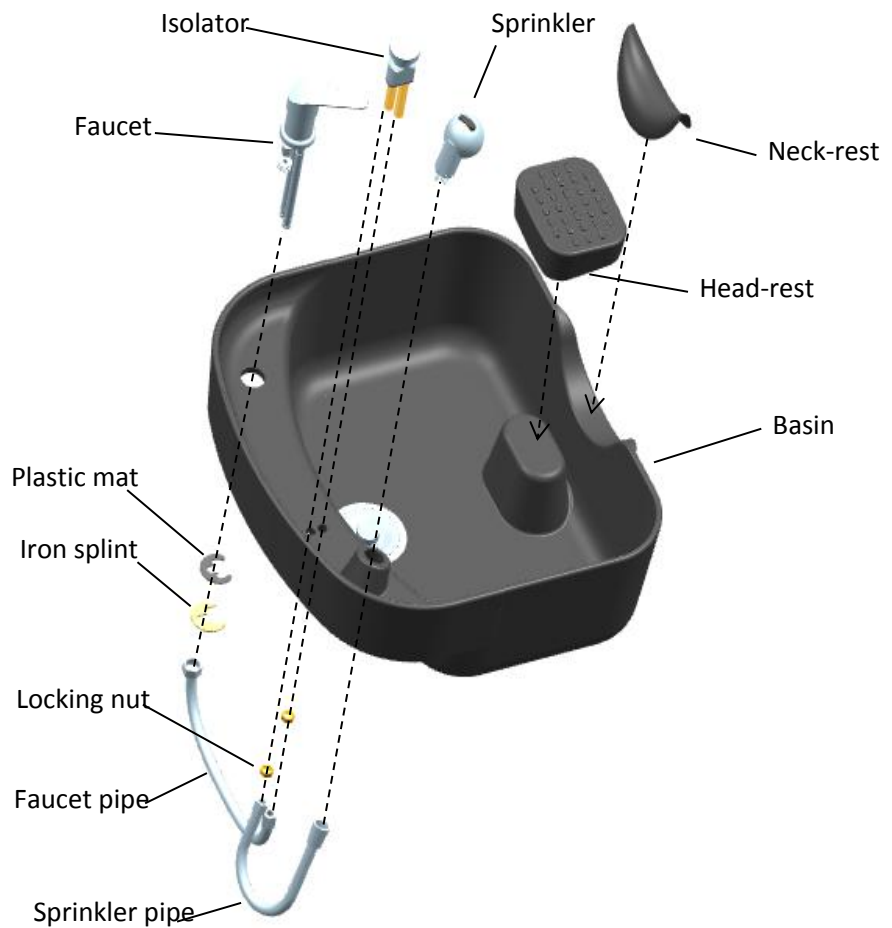
Step 1 . Install Installed small
base to the larger base with
6 long bolts and 6 Washers
and 6 nuts.

please follow up the diagram
beside



Fifth : Assemble the basin

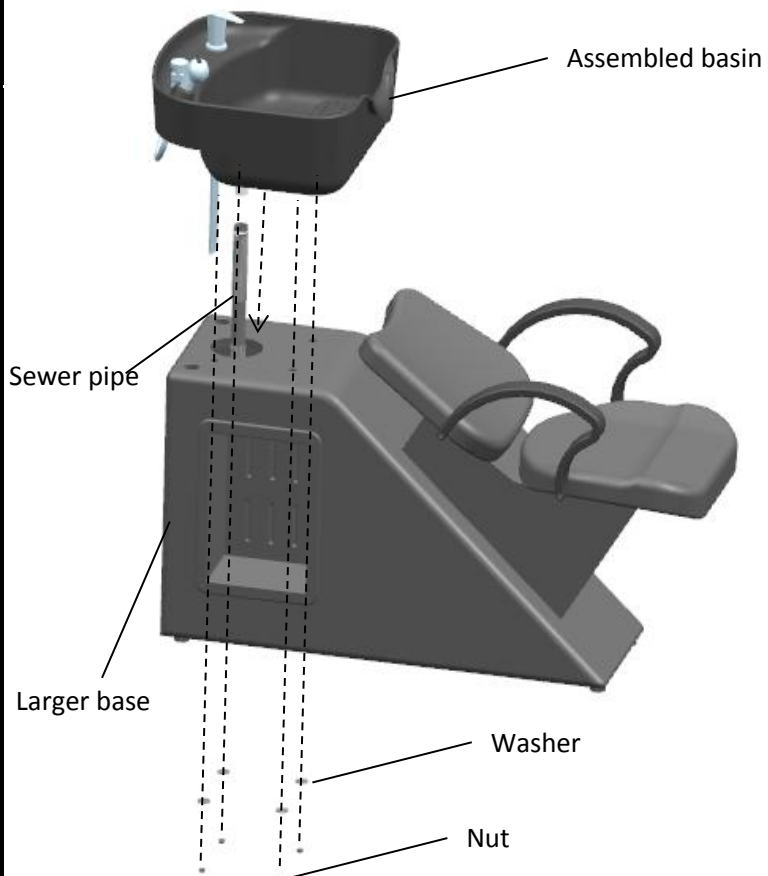
Step1. Assemble all parts of the basin one by one . please follow up the diagram beside



Sixth : Install the assembled basin to the larger base

Step1. Assemble the Sewer pipe to the basin .
Step 2 .Insert the Basin to the larger base with 4 nuts and washers .

please follow up the diagram beside



Seventh : Fix the box of the larger base

Step1. Fix the box of the larger base to the larger base with 4 screws.
please follow up the diagram beside

