


HZ8706 PRODUCT MANUAL

Model# HZ8706

 **ATTENTION!** PLEASE READ THESE INSTRUCTIONS BEFORE USING THIS DEVICE **PRODUCT MANUAL**



NOTICE:

If your package is missing parts or you are having issues with assembly, please call us directly. Our customer service team will address any questions or concerns you may have. Have this manual open and ready for reference.

SAFETY



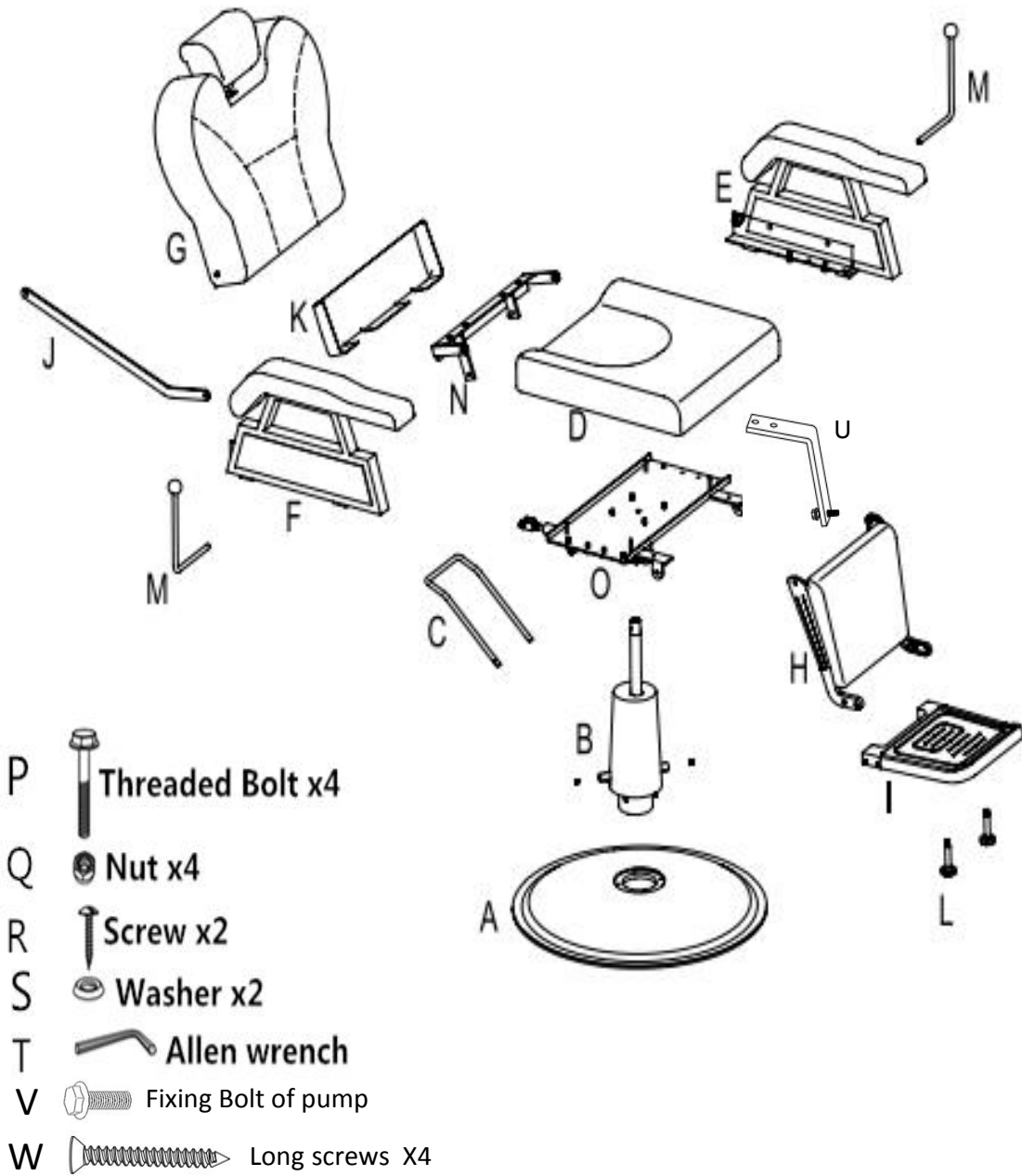
To reduce risk of injury when assembling & using the chair, follow these precautions:

- Read all of these instructions before assembling and using your salon chair.
- It is helpful to have 2 people assemble and turn the chair upright after assembling.
- Do not over-extend the chair(0~150kg), creating the risk of falls or tipping the chair, and its occupant over, resulting in injury

OTHER ITEMS YOU WILL NEED (not included)

- Hand Tools:Wrench,Rubber Mallet,Screwdriver (Phillips),Sturdy box

PARTS & FEATURES



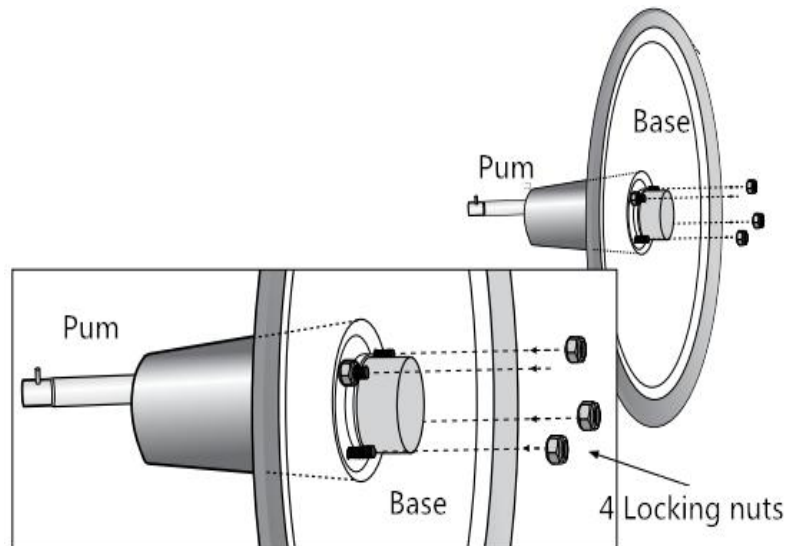
Part Code	Part Name	Number	Part Code	Part Name	Number	Part Code	Part Name	Number
A	Base	1	G	Backrest &	1	M	reclining lever	2
B	Hydraulic Pump	1	H	Leg Rest	1	N	Black bar	1
C	Foot Bar	1	I	Foot Rest	1	O	Seat plate	1
D	Seat	1	J	Stabilizer Bar	1	U	Leg-rest support	1
E	Left Handrest	1	K	back cover	1			
F	Right Handrest	1	L	Foot Rest Support	2			

Installation instruction

First : Installation Hydraulic Pump to Base

- Parts Needed: Base + Pump + 4 Locking Nuts + Wrench

Step 1. Insert threaded bolts on bottom of Pump into holes on top of Base. Tighten 4 locking nuts onto threaded bolts. (Easiest when set on side, supported by a sturdy object.)



Second : Assemble Foot Bar to Assembled Hydraulic Pump & Base

- Parts Needed: Foot Bar + Assembled Base & Pump + Allen Wrench

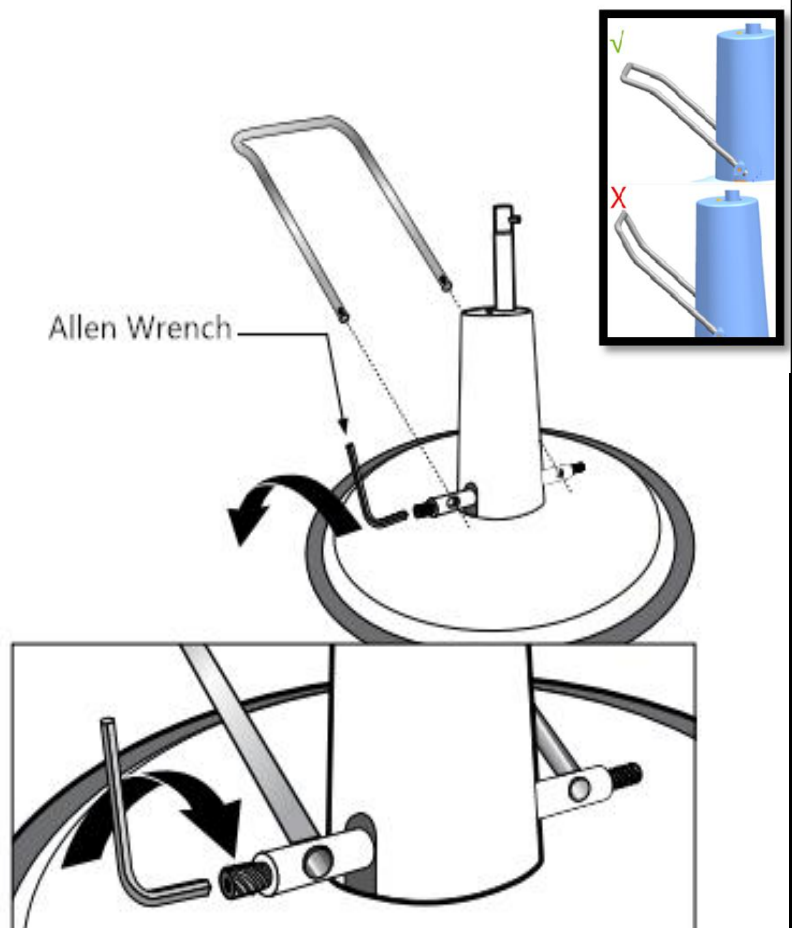
Step 1. Place assembled Base & Pump on floor.

Use Allen Wrench to loosen the screws in the crossbar. See photo besides.

Insert Foot Bar into the holes of the crossbar.

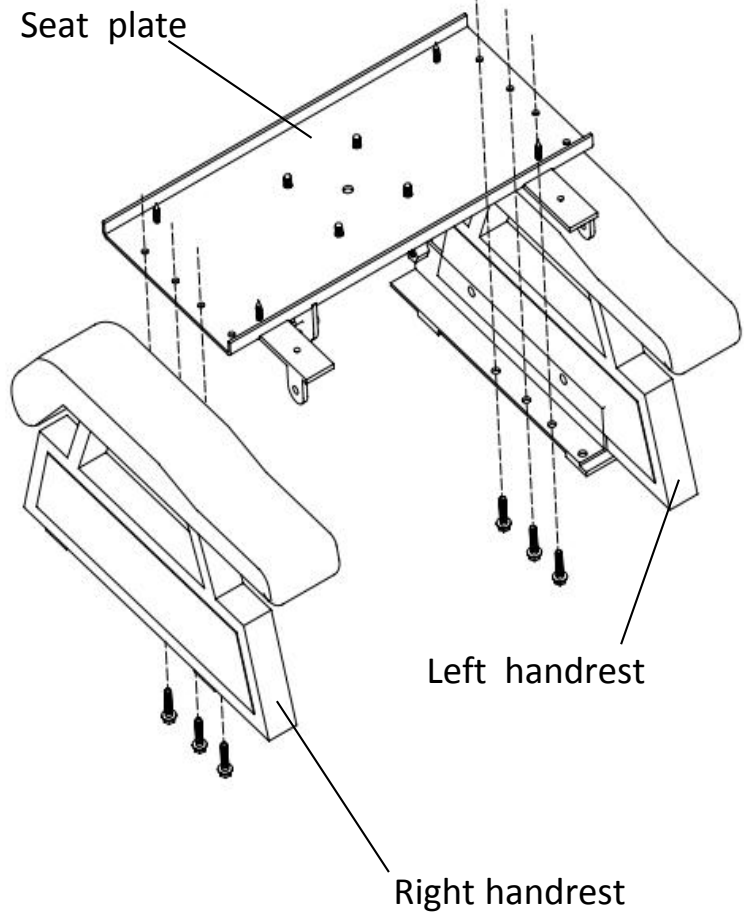
(May require slightly squeezing ends of Foot Bar towards each other, and some maneuvering for the bar ends to go into place.)

Step 2. Tighten the set screws to firmly hold the Foot Bar in place.



Third: attach handrests

Parts Needed: seat plate + left handrest + right handrest + 6 Flange bolts
Step1. Remove the 6 flange bolts from seat plate which pre-fixed on it.
Step2. connect the hole of handrest to be matched with holes on the seat plate
Step3. Using given 6 flange bolts to tighten handrests with seat plate.



Fourth : Attach the Black Bar to the attached Seat Plate & Handrests

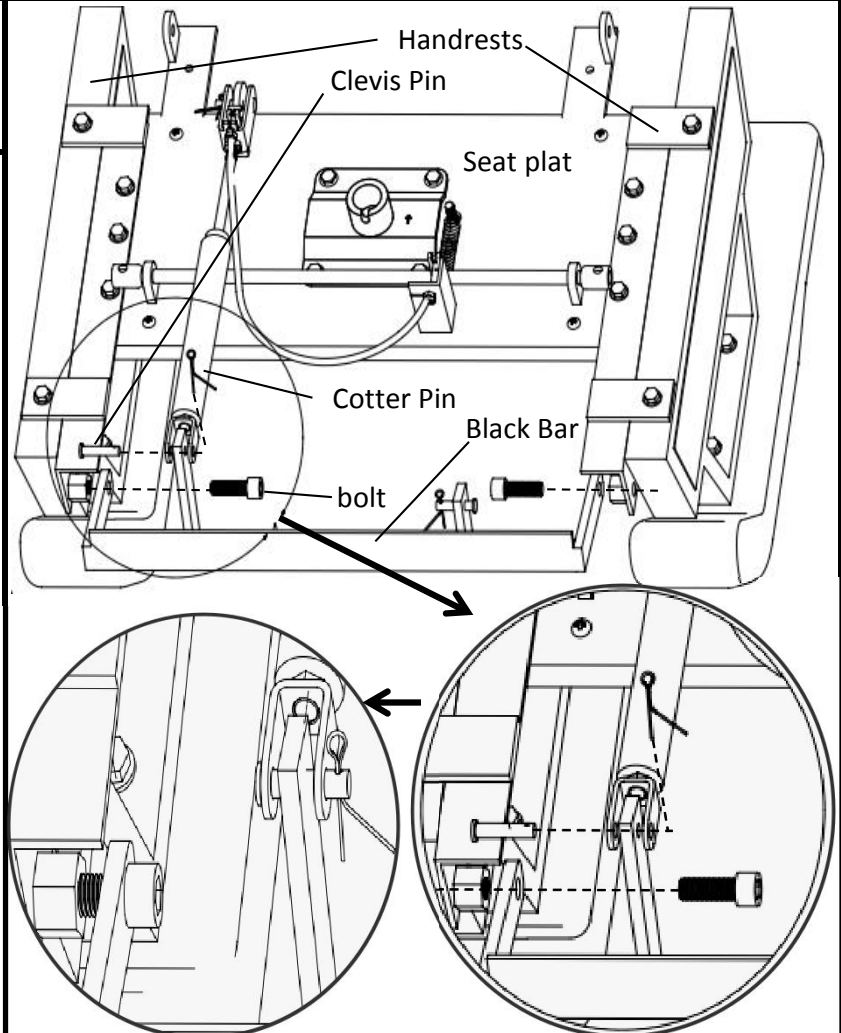
• Parts Needed: Black Bar + Seat + 2Inner six angle bolt + Clevis Pin +Cotter Pin

Step 1. Removing 2 inner six angle bolt from each handrest. Please check photo

Step 2. fix black bar with each handrest by 2pcs given inner six angle bolt.

Step 3. Remove Clevis Pin +Cotter Pin from black bar.

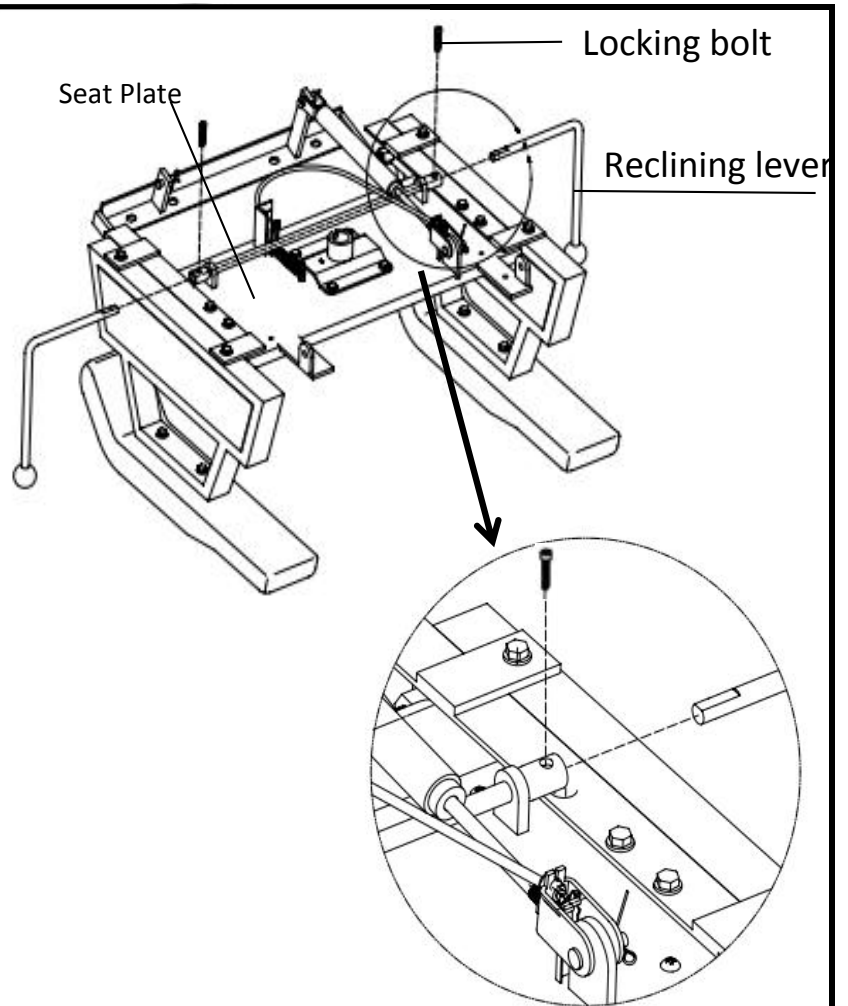
Step 4. Assemble reclining cylinder U-shap with black bar by giving Clevis Pin +Cotter Pin, please take reference photo beside.



Fifth: Assemble the reclining lever

Step 1. Remove the two locking bolts from the seat plate which pre-fixed on it

Step 2. Insert the two reclining levers into the corresponding holes of the seat as photo showing, and then using the two locking bolts to tighten the two reclining levers.



Sixth : Attach the Backrest to the Black bar

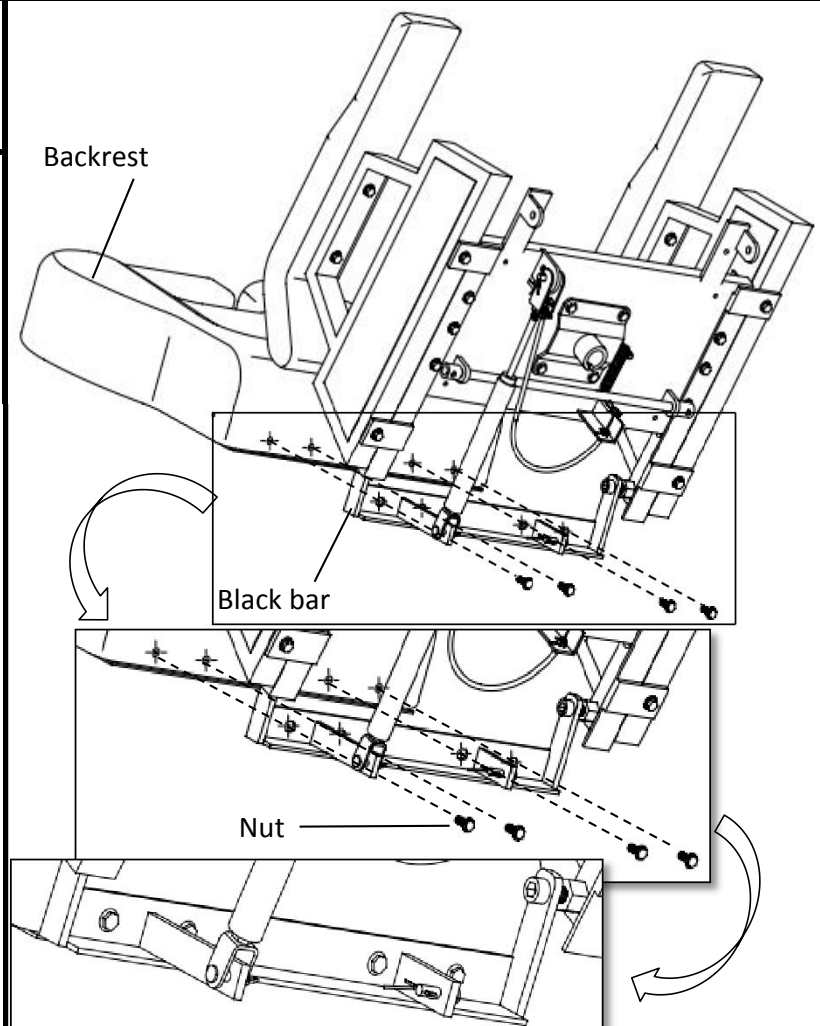
• Parts Needed: Back+ Seat + 4 Threaded Bolts + Wrench

Step 1. Swing out the Black bar located under the Seat.

Place the Seat's vinyl flap over the Black bar.

Step 2. Insert 4 Threaded Bolts through holes in the Black bar, then holes in vinyl, and finally into holes in the bottom of Backrest

Step 3. Maneuver each bolt, one at a time, to screw into fittings (which are not visible) inside bottom of Backrest. Tighten each firmly.

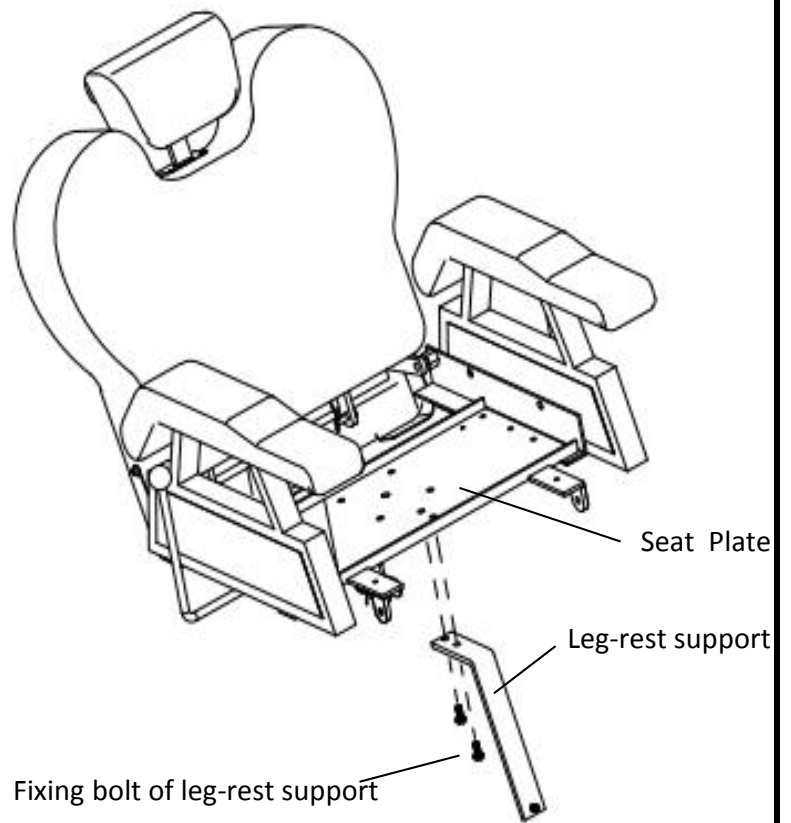


Seventh : Fix seat and seat plate

• Parts Needed: Seat Plate + Leg-rest support

Step 1. Remove 2 Fixing bolts of leg-rest support from seat plate

Step 2. Install the leg-rest support to seat plate by the 2 Fixing bolts of leg-rest support which removed from the seat plate.

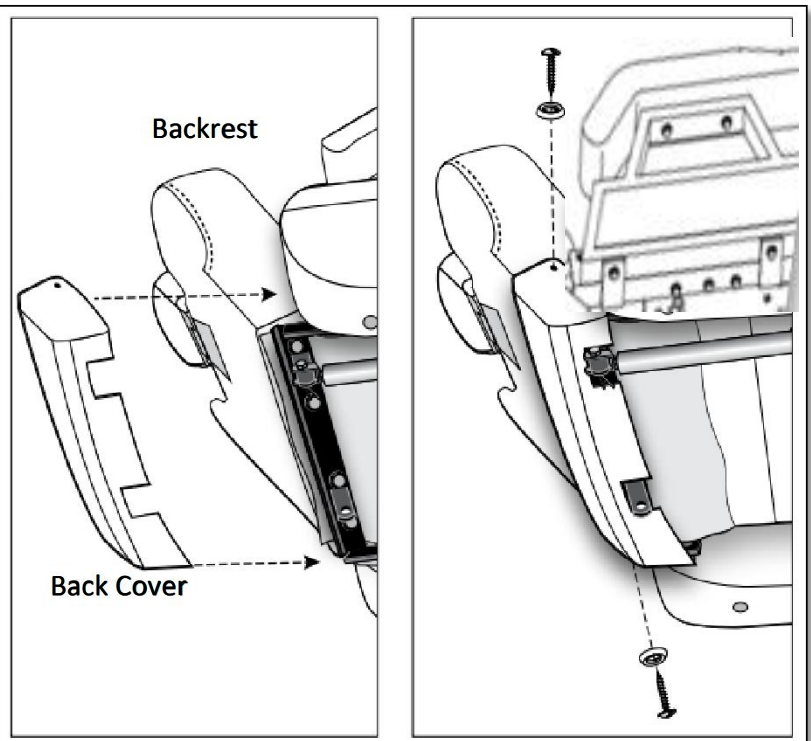


Eighth : Attach the Back Cover to the Backrest

• Parts Needed: Assembled Backrest & Seat plate + 2 Screws + Back Cover + 2 Washers + Phillips-Head Screwdriver

Step 1. Place Back Cover at the bottom of the Backrest.

Step 2. Screw 1 bracket screw and 1 finish washer onto each side of the backrest.



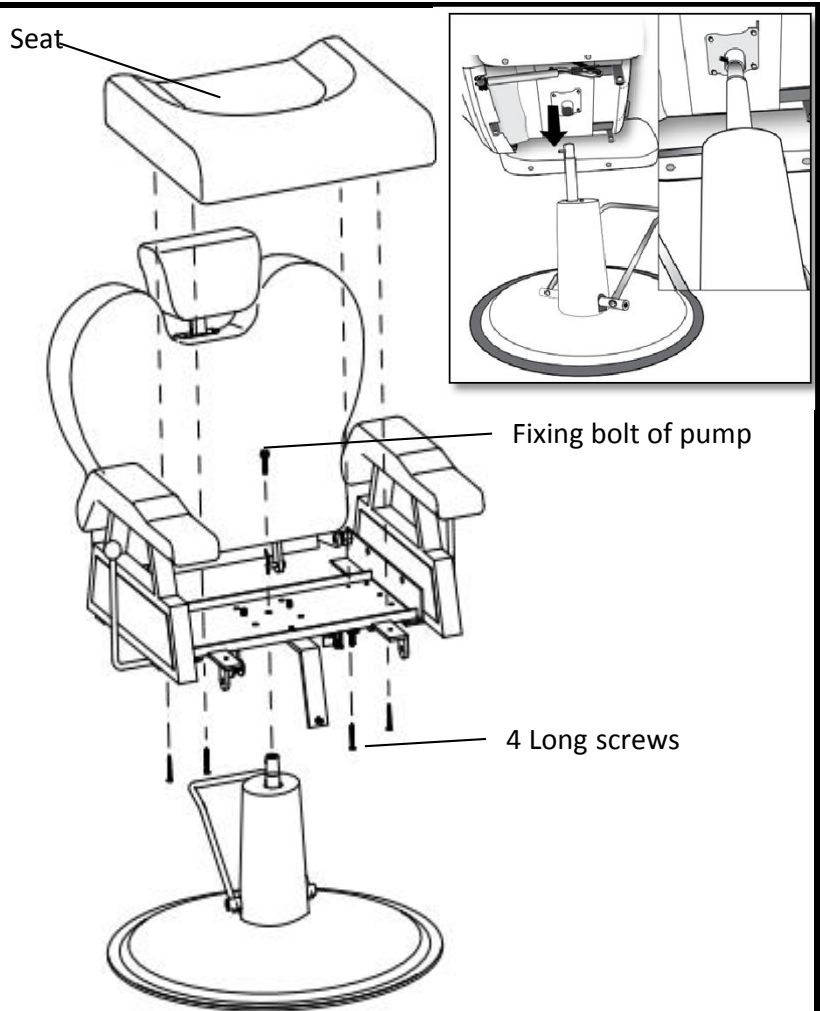
Ninth : Set Seat & Backrest onto Hydraulic Pump & Base

• Parts Needed: Seat + Assembled Seat plate & Backrest + Assembled Hydraulic Pump & Base + 4 Long screws + Fixing bolt of pump

Step 1. Locate the slot in the short column under the Seat plate . Align this slot with the black pin at the top of hydraulic pump.

Step 2. Set assembled Seat & Backrest onto assembled Hydraulic Pump & Base and press down and fix them by the fixing bolt of pump(or fixing bolt of pump and washers).

Step 3. Set Seat to the seat plate and fix it by the 4 long screws .



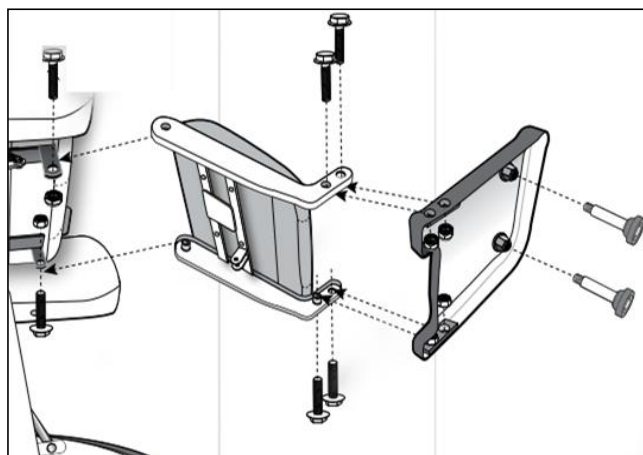
Tenth: Attach Seat to Leg-rest + Footrest + Footrest Supports

• Parts Needed: Assembled Chair + Leg-rest + Footrest + 6 Bolts + 6 Nuts

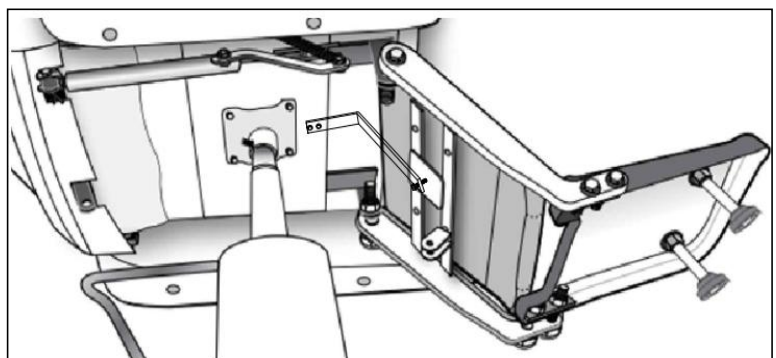
Step 1. Attach Leg-rest to Brackets under front of Seat.

Step 2. Attach Footrest to Leg-rest.

Step 3. Attach Footrest Supports to Footrest.



Assembled Seat & Pump + Base



Eleventh: Attach the Seat Back Stabilizer Bar

• Parts Needed: Assembled Chair + Stabilizer Bar + Clevis Pin + Cotter Pin + 1 Bolt + 1 Nut

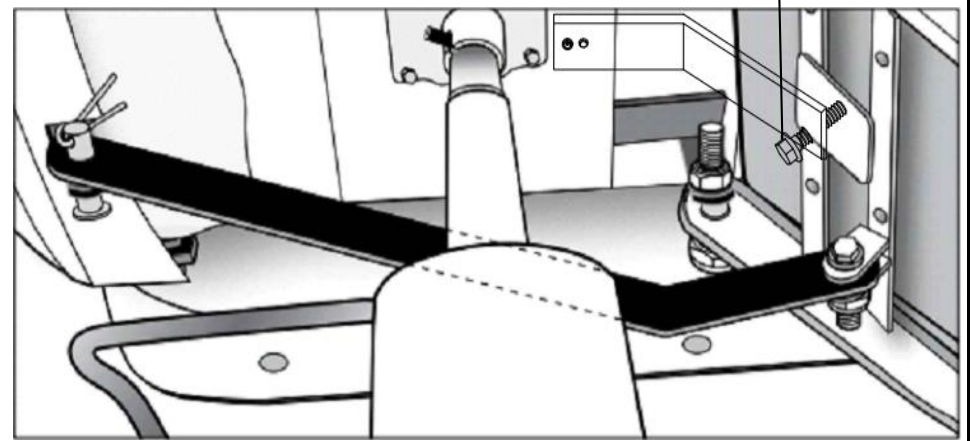
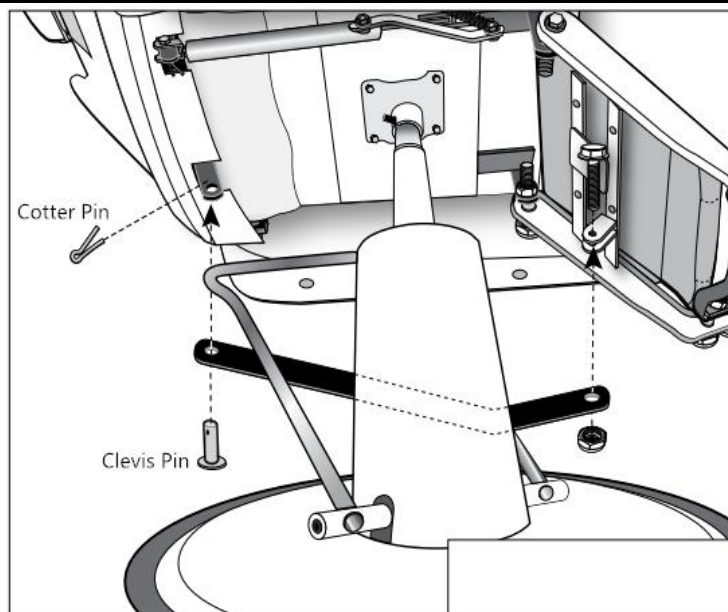
• Backrest must be fully reclined to attach Stabilizer Bar.

Step 1. Attach Stabilizer Bar to bracket at rear bottom of Seat.

Step 2. Attach Stabilizer Bar to bracket on back of Footrest

Step 3. Adjust the support bolt which installed in the leg-rest support to support the leg-rest to get a proper initial altitude of the leg-rest.

Assembled Seat & Stabilizer Bar & Leg-res



OPERATING THE CHAIR

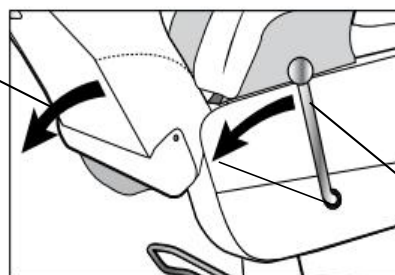
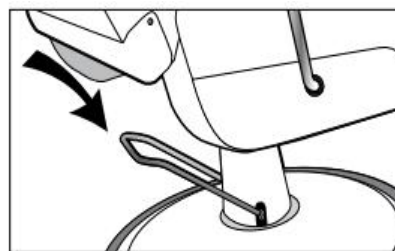
• Step down on the Foot Bar repeatedly to raise the chair to the desired height.

• Do not over-extend the chair, creating the risk of falls or tipping the chair and its occupant over, resulting in injury

• Step down and hold the Foot Bar to allow chair to lower.

• Push the lever backwards (35°~40°) and push the backrest to back . The backrest will tilt backwards;loosen the lever to get the tilt degree of backrest ;Turn the lever again backwards (35°~40°) ,the backrest can Back to the original position.Don't push lever too hard. It 'll break lever.

• Press the button on the chrome plate and pull up to raise the



0~50°

35° ~ 40°

