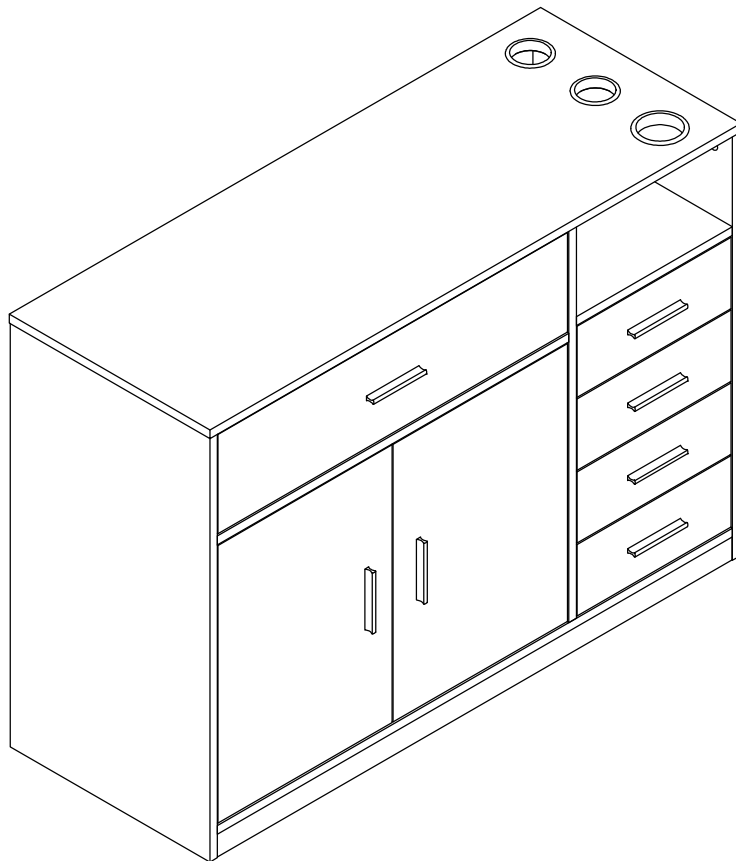


OmySalon

HAIR STYLING STATION

USER MANUAL



Thanks for purchasing OmySalon hair styling station. Please feel free to contact us if you have any problems with assembly or other after-sale issues. OmySalon customer service team is here to assist you. Email: support@omysalon.com; Website: www.omysalon.com. Please attach your user name or order ID so that we can serve you better.

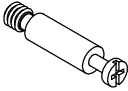
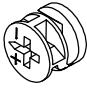

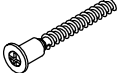
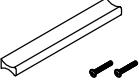


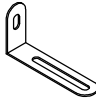
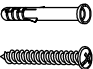




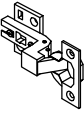

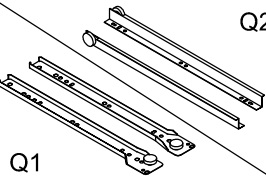
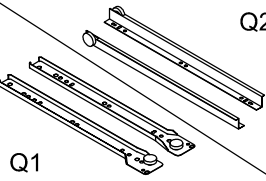
⚠ WARNING

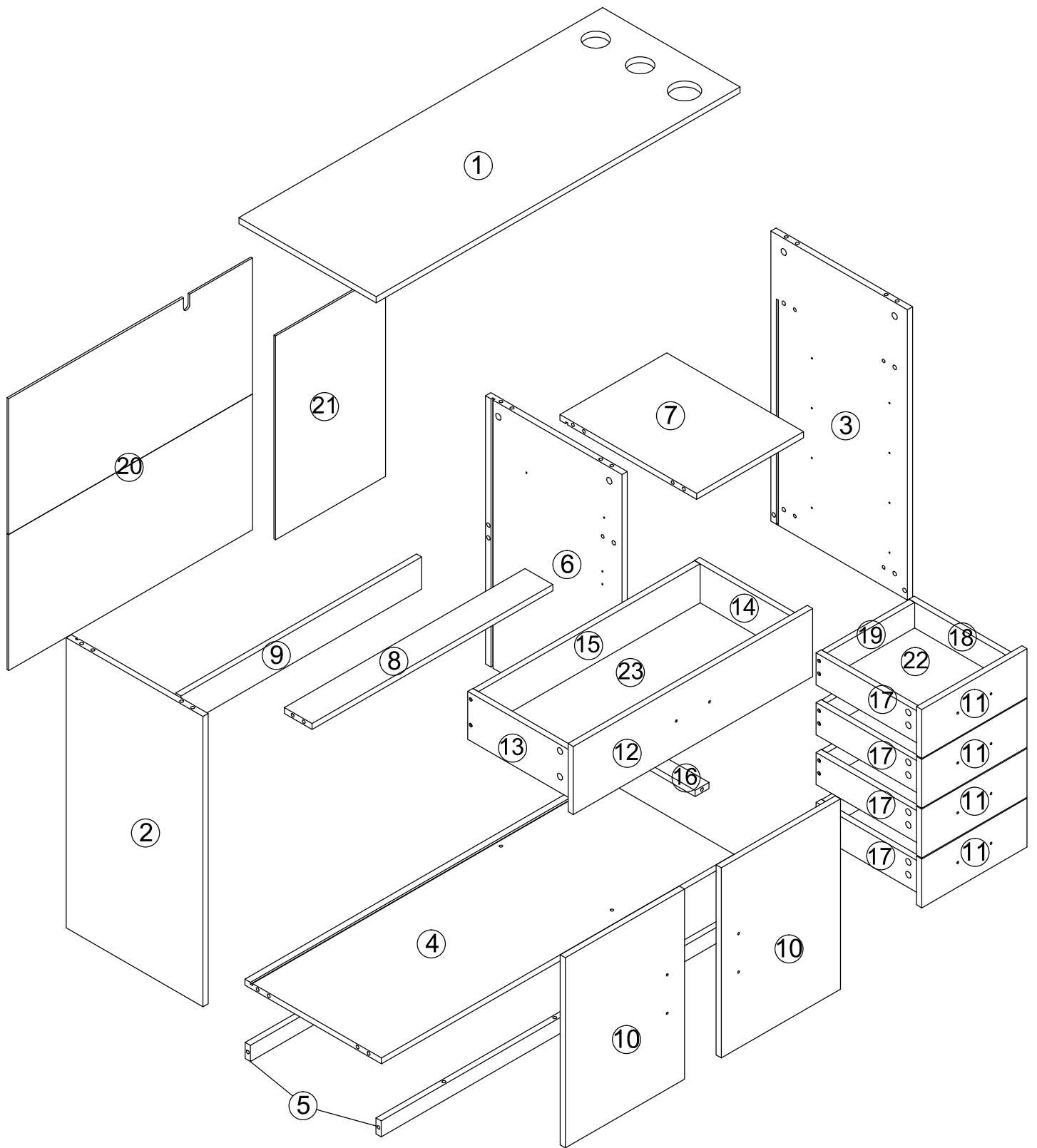


Children have died from furniture tipover. To reduce the risk of furniture tipover:

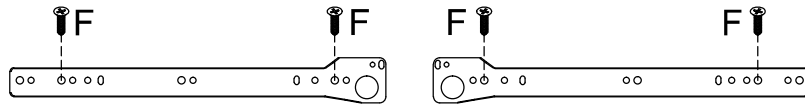
- ALWAYS install tipover restraint provided.
- NEVER put a TV on this product.
- NEVER allow children to stand, climb or hang on drawers, doors, or shelves.
- NEVER open more than one drawer at a time.
- Place heaviest items in the lowest drawers.
- Do not defeat or remove the drawer interlock system.

*This is a permanent label.
Do not remove!*

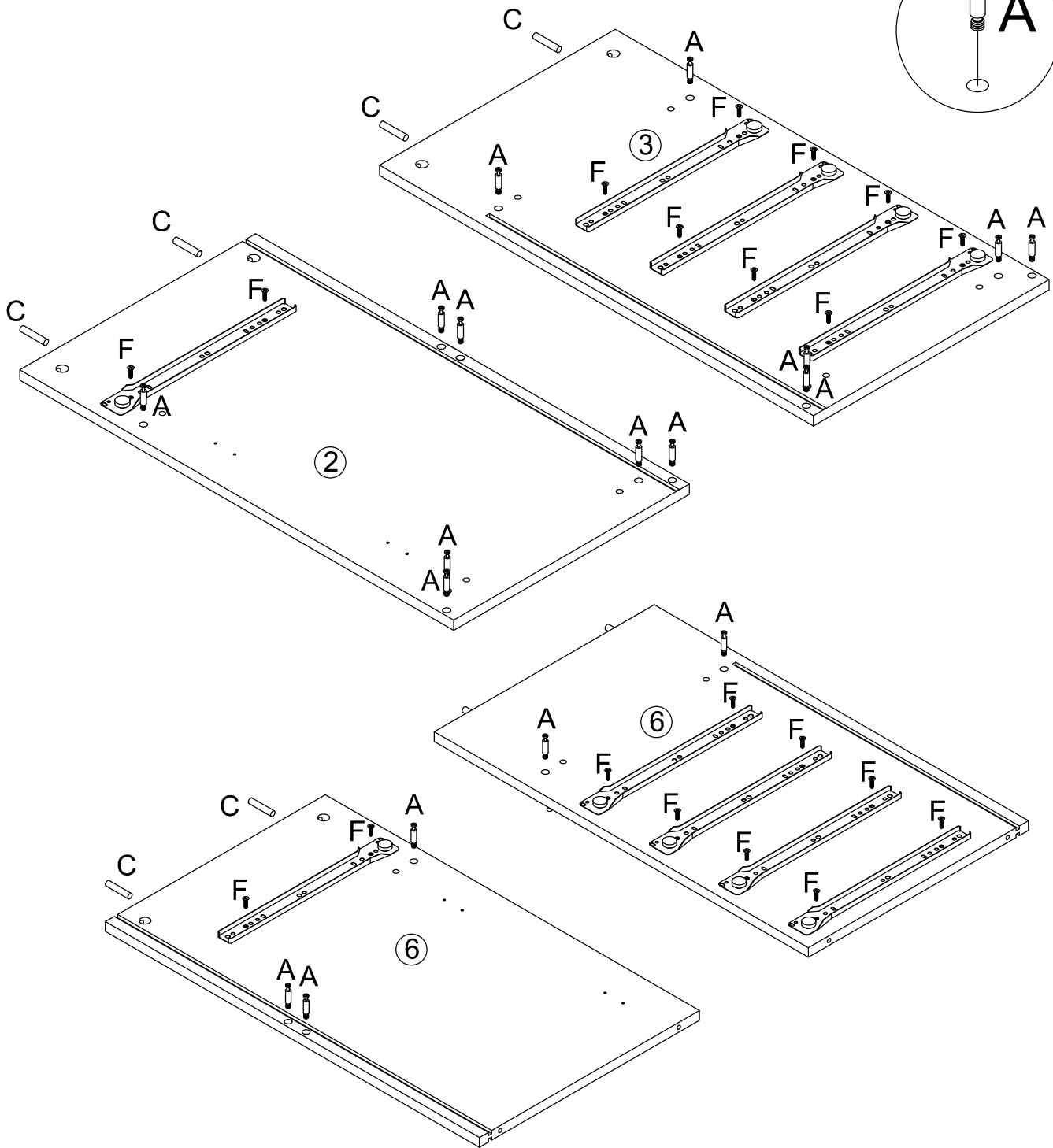
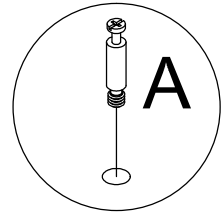
		 Ø8*40	 M7*50	 M4*18
A*45	B*45	C*22	D*2	E*7
 M3.5*14	 M4*35	 M4*14	 M4*35	
F*78	G*21	H*1	I*1	J*8
 K*14	 M3*14	 Ø20	 N*4	 Ø60
P*1	 Q1	M*30	N*4	O*2
P*1	 Q2			
P*1	Q*5			







1

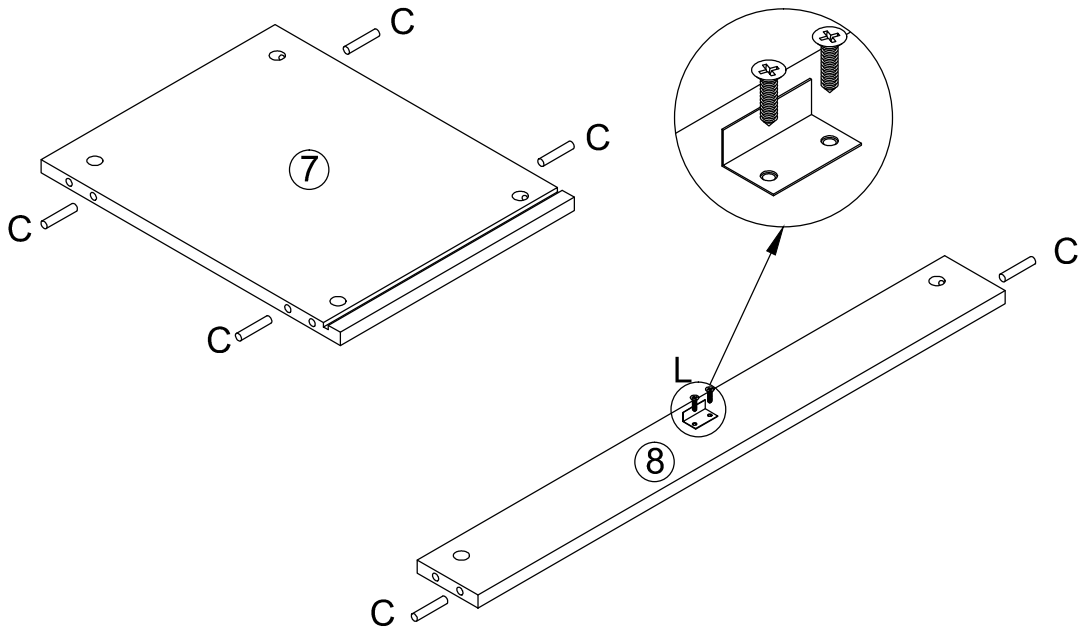



Q1



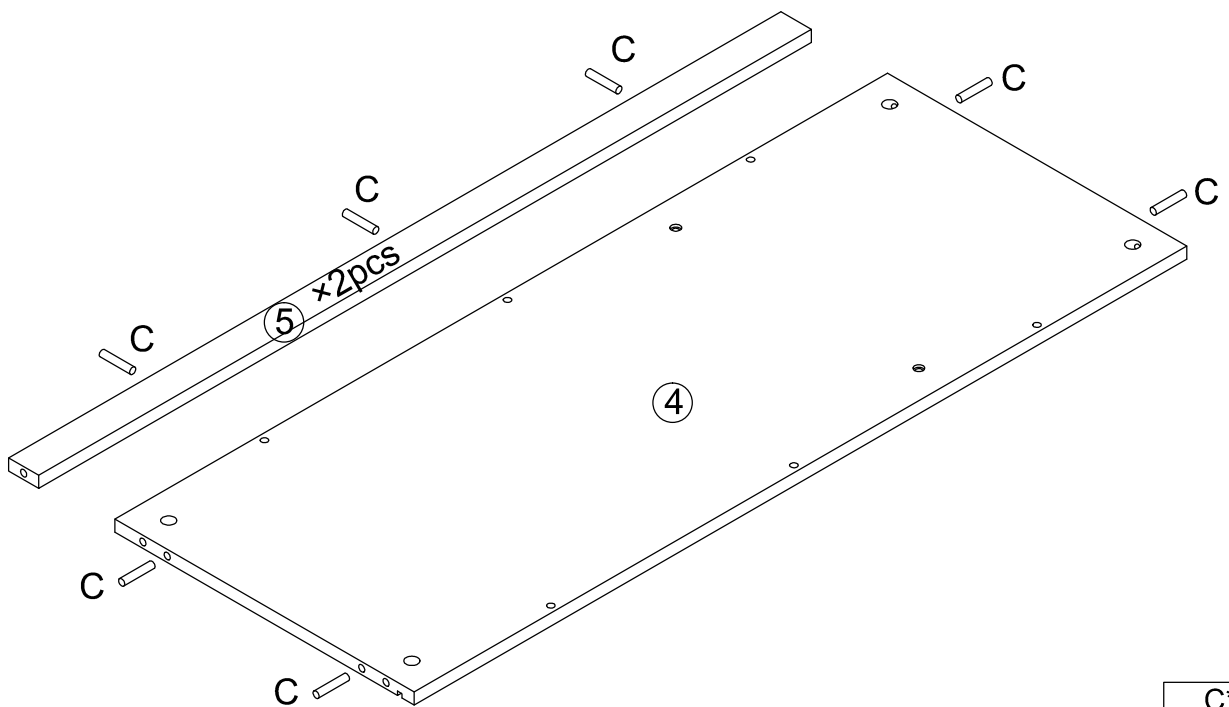
A*18	C*6	F*20	Q1*5
	 Ø8*40	 M3.5*14	


2



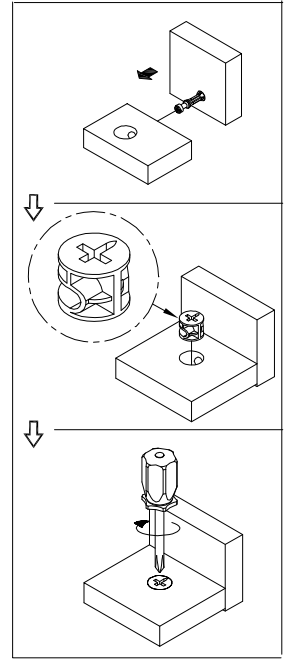
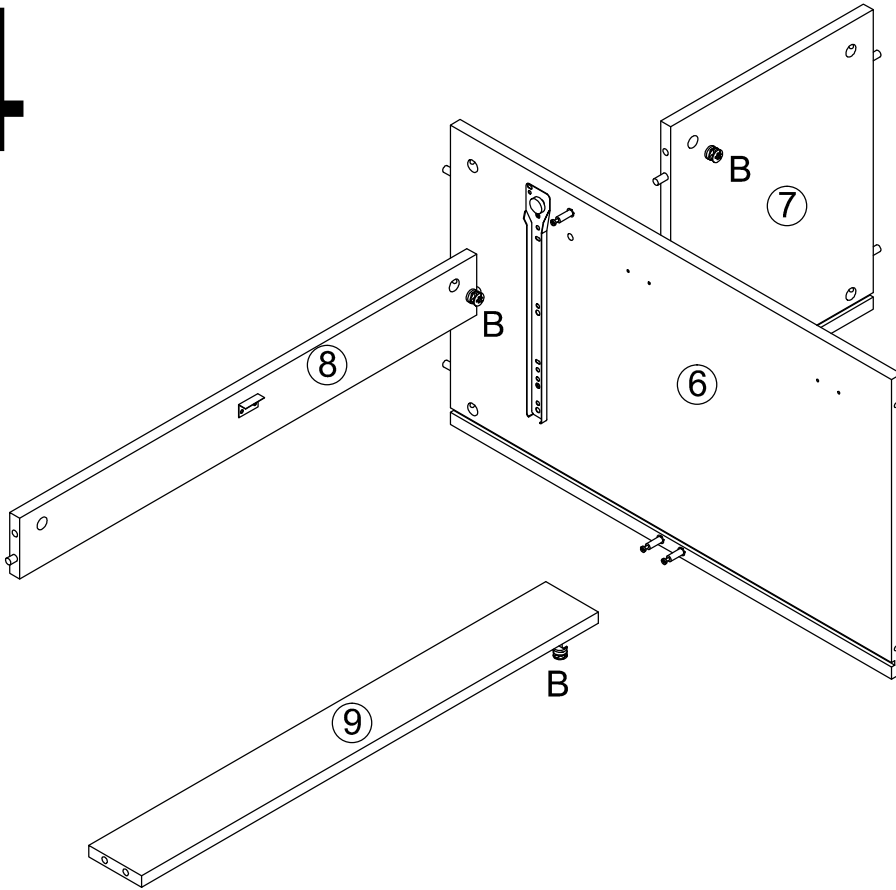
C*6	L*1
 Ø8*40	 M3*14

3



C*10
 Ø8*40

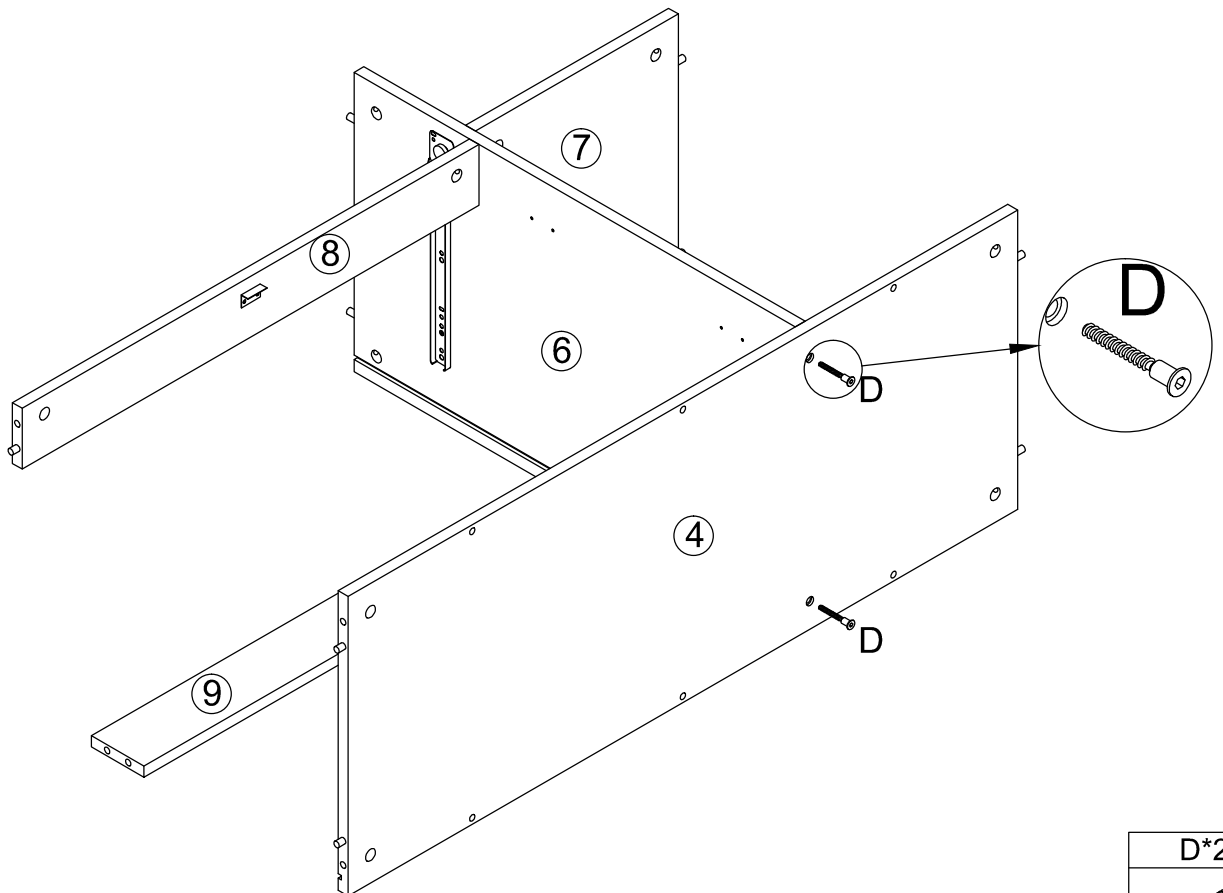
4



B*5



5

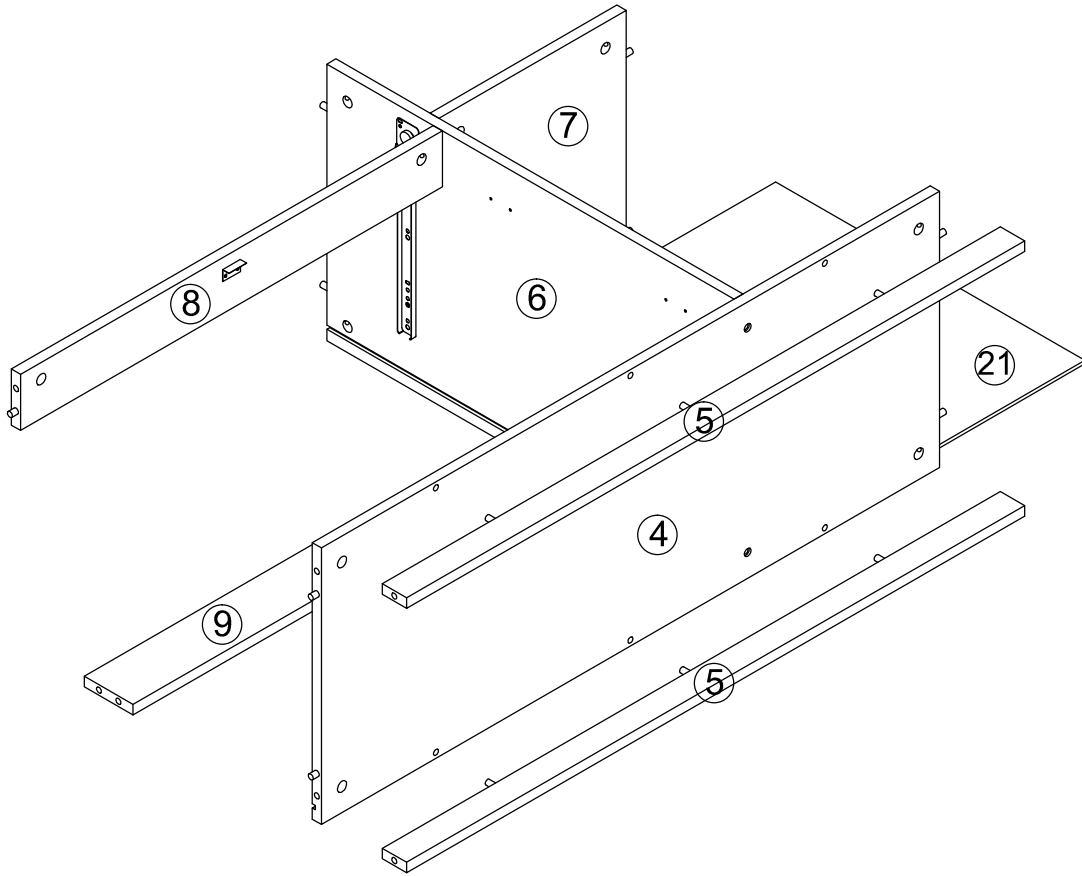


D*2

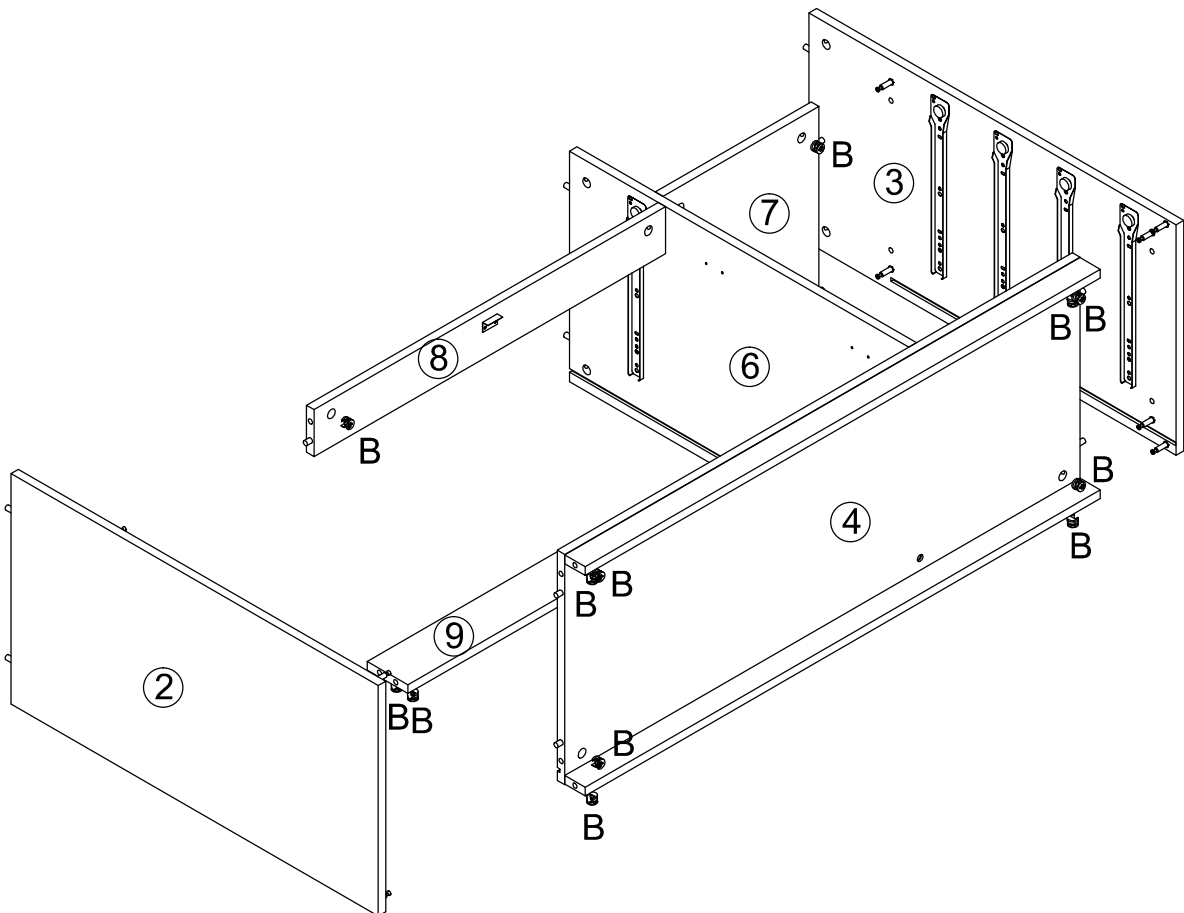


M7*50

6



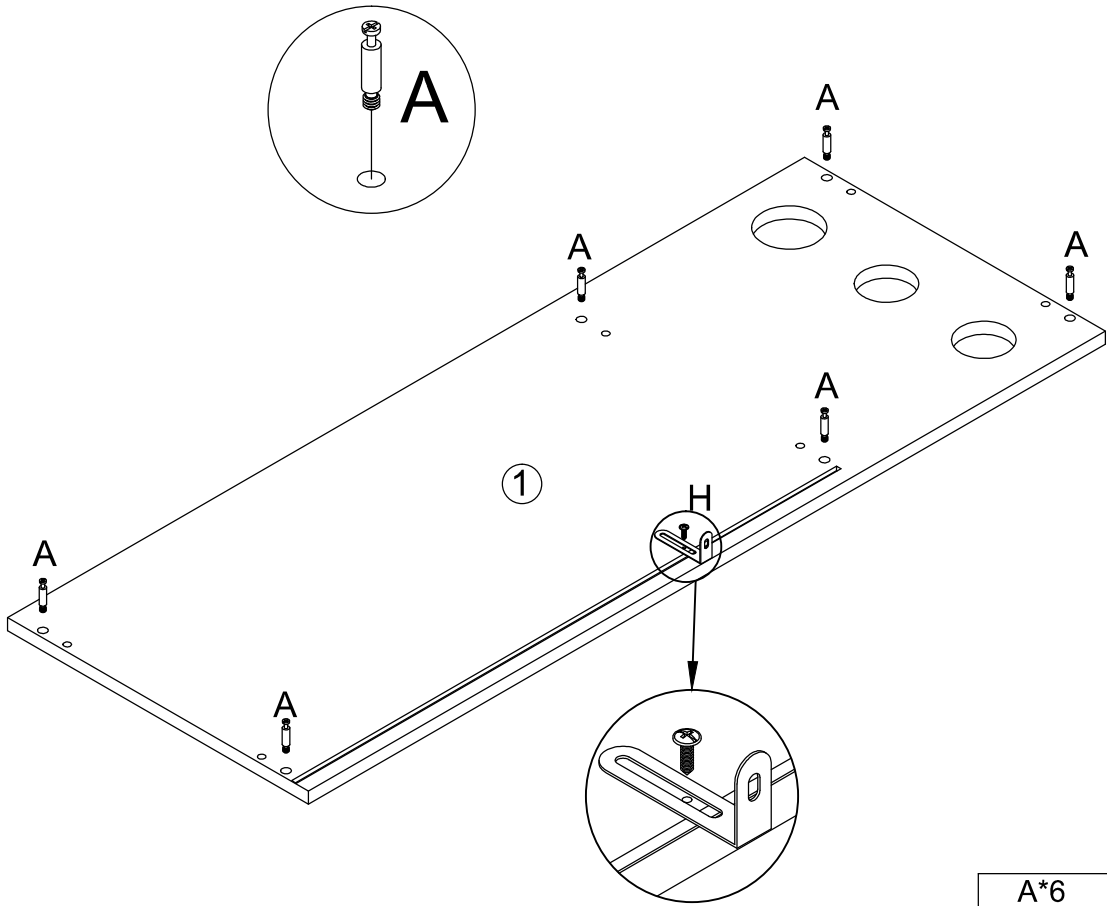
7





B*13

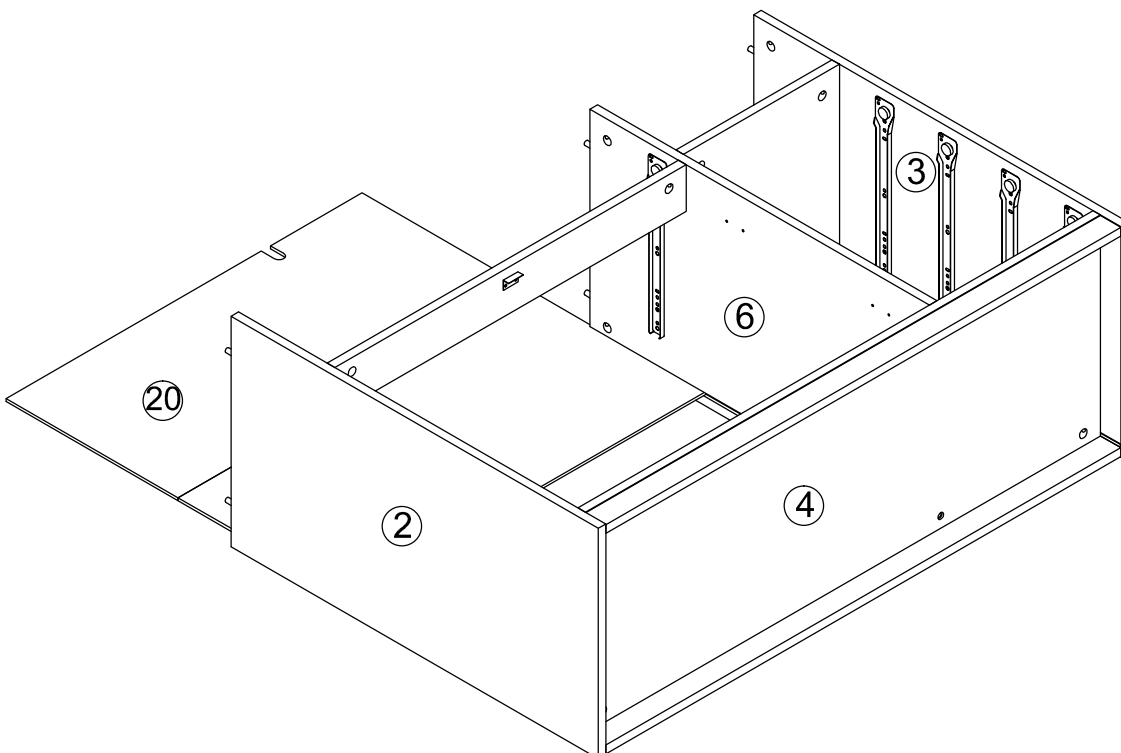


8

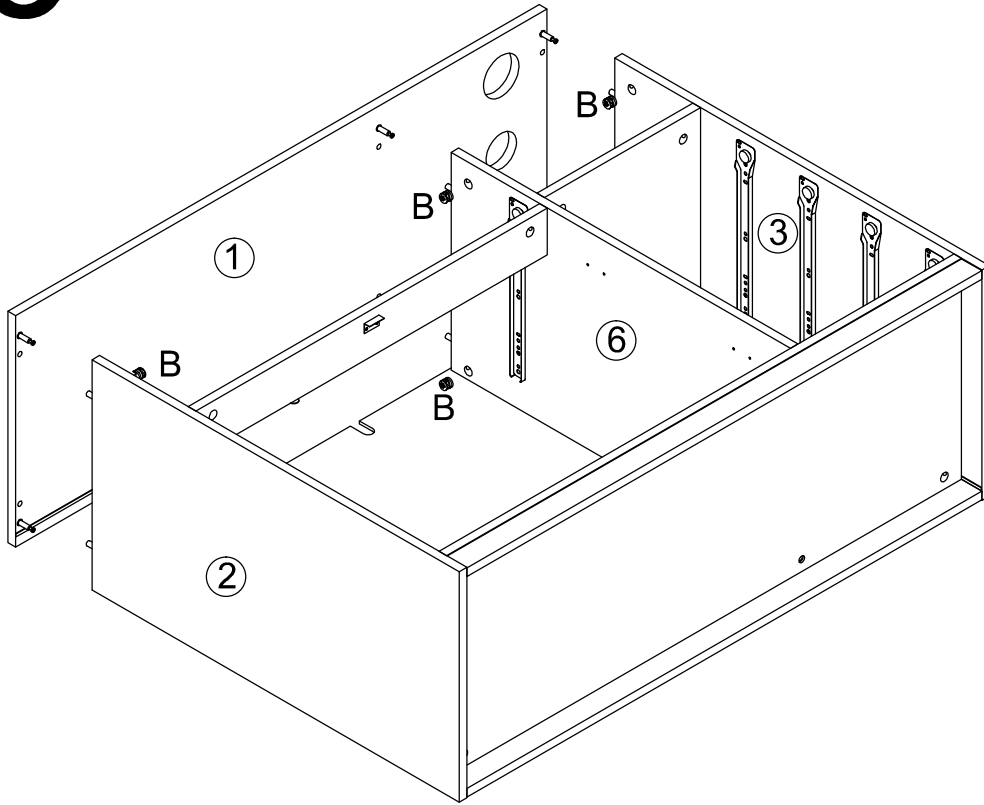


A*6	H*1
	 M4*14

9



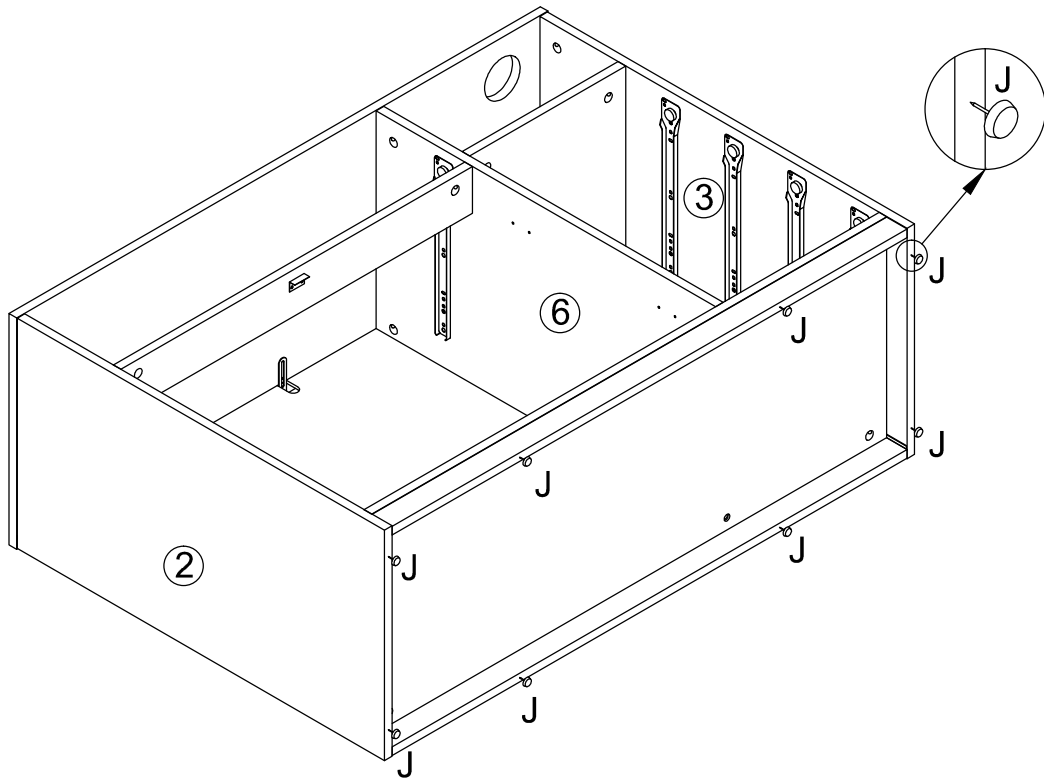
10



B*6



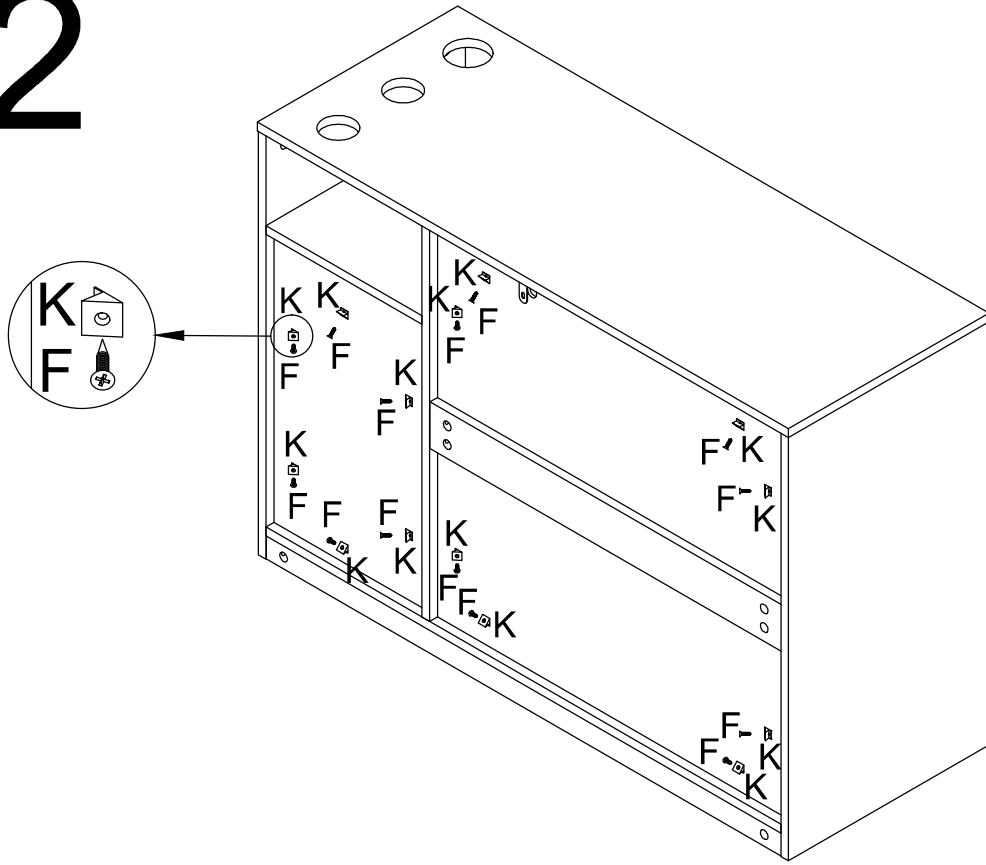
11





J*8

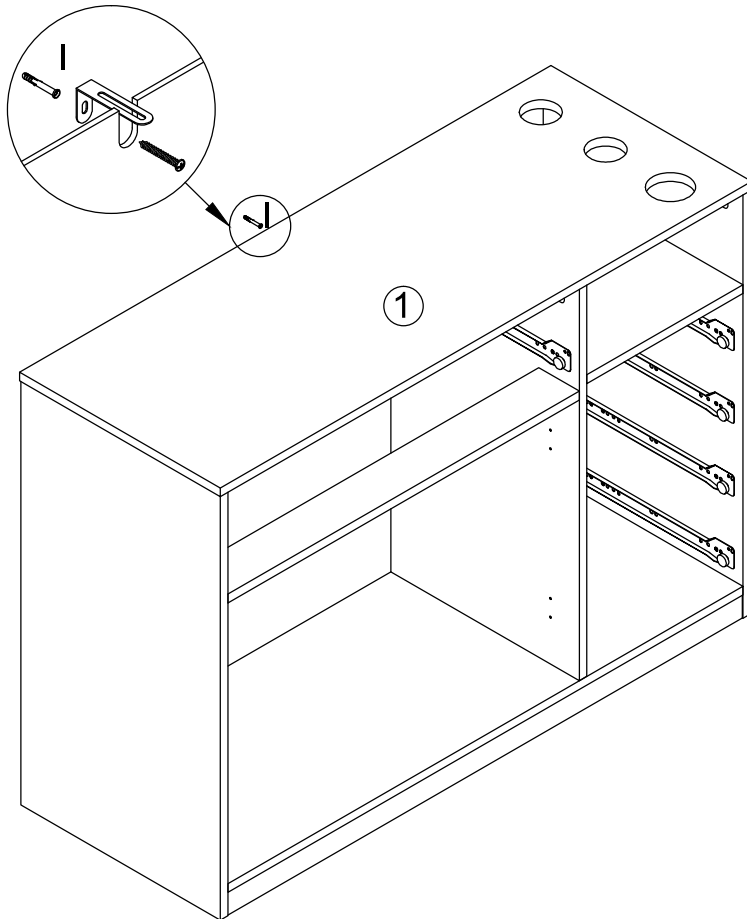



12



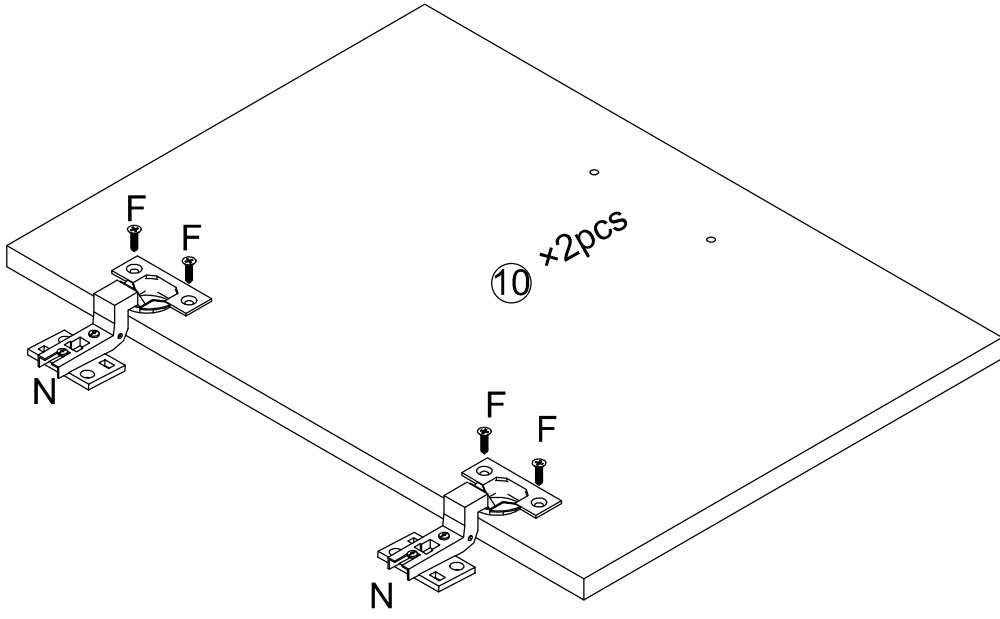
F*14	K*14
	
M3.5*14	



13



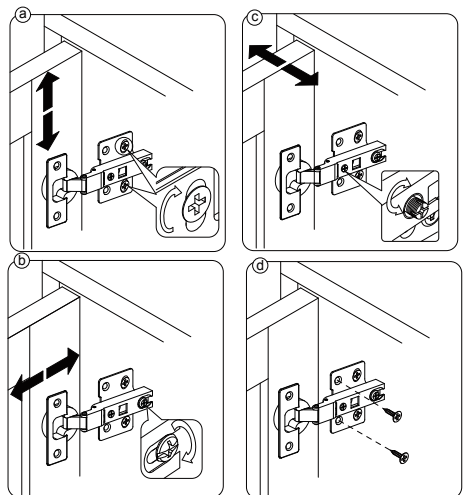
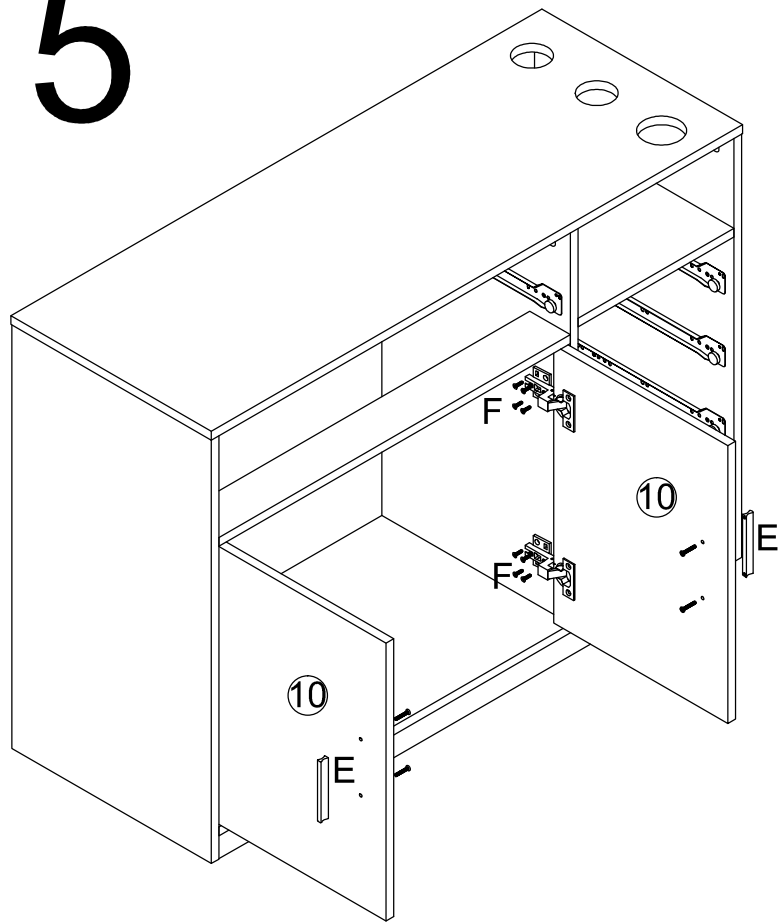
I*1

M4*35



14



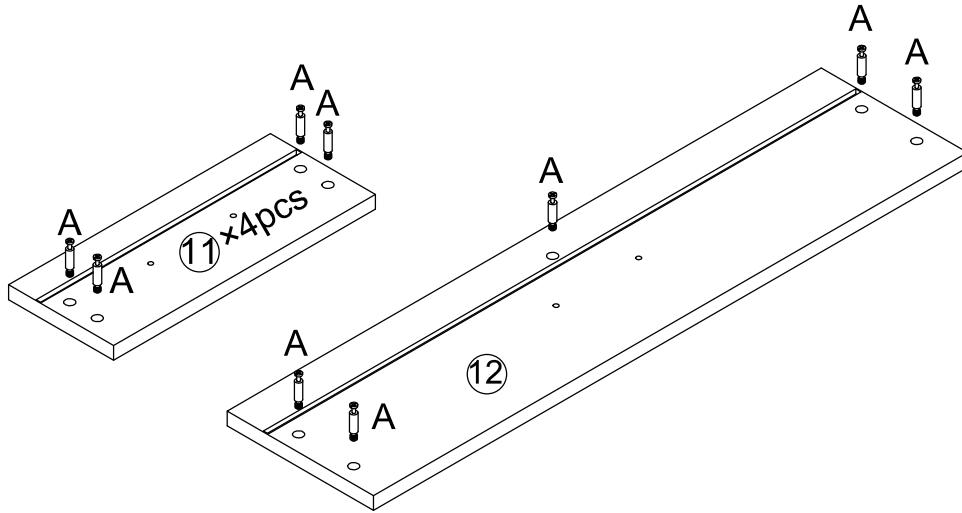
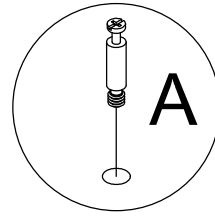
F*8	N*4
	
M3.5*14	


15



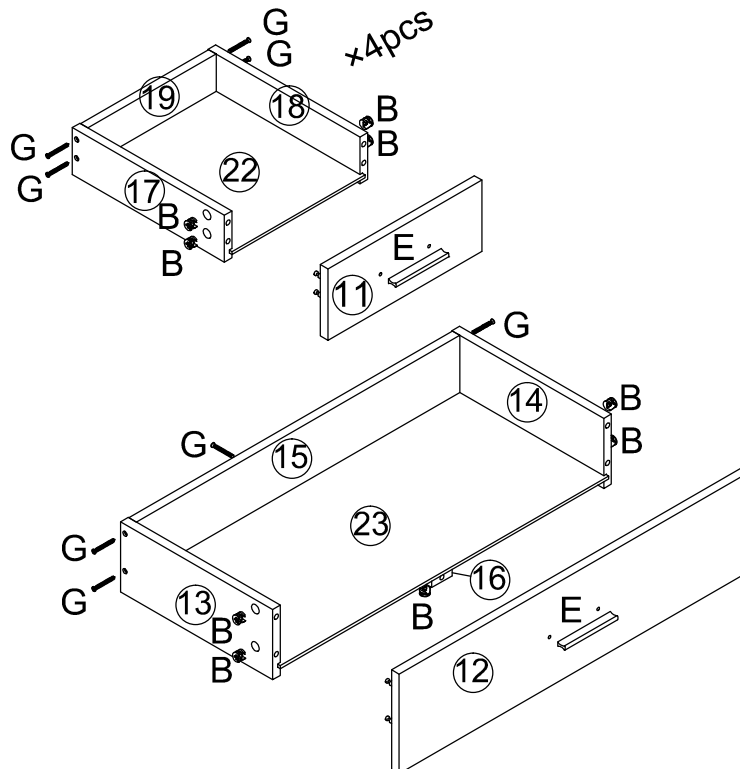
F*16	E*2
	
M3.5*14	M4*18




16



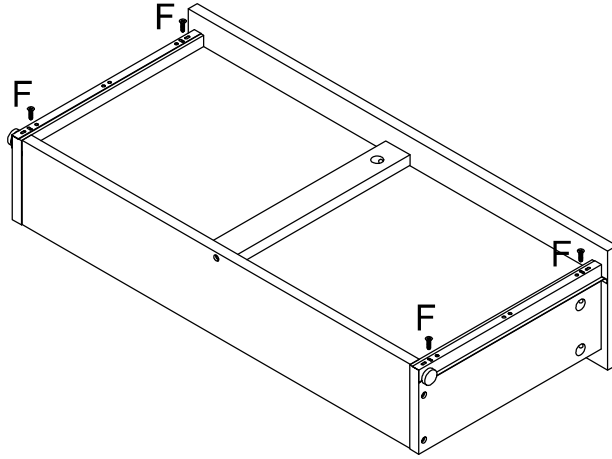
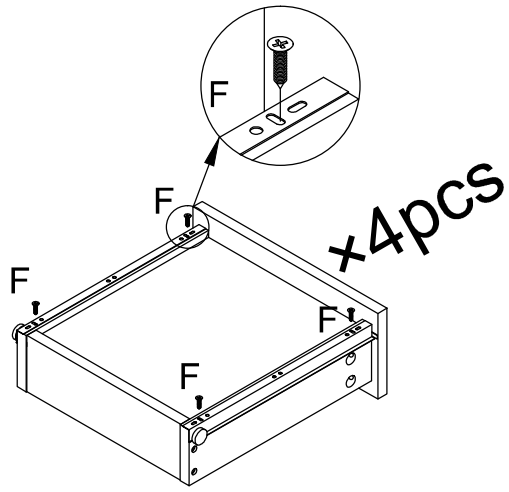
A*21




17



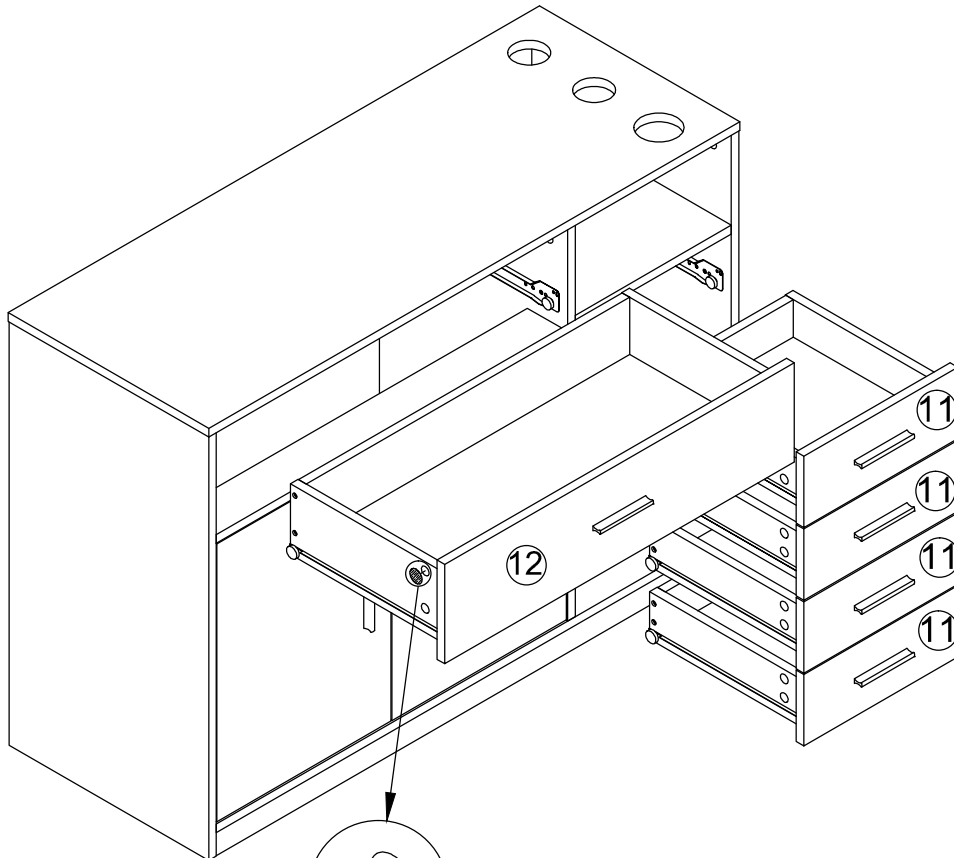
B*21	E*5	G*21
	 M4*18	 M4*35


18



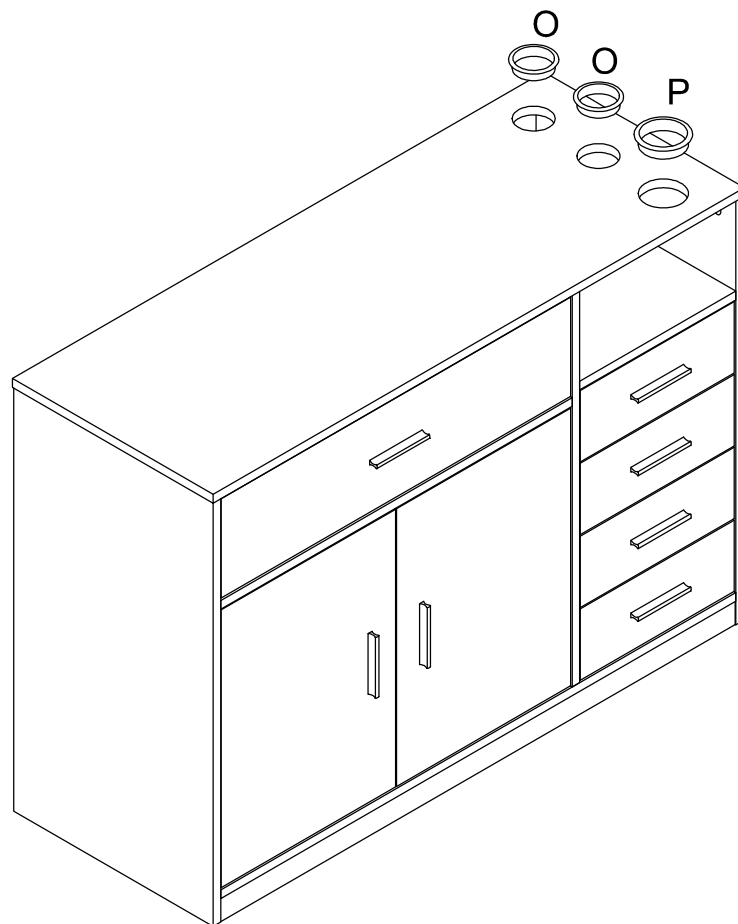
F*20	Q2*5
 M3.5*14	



19



M*30
 Ø20

20



O*2	P*1
 Ø60	 Ø70

21

