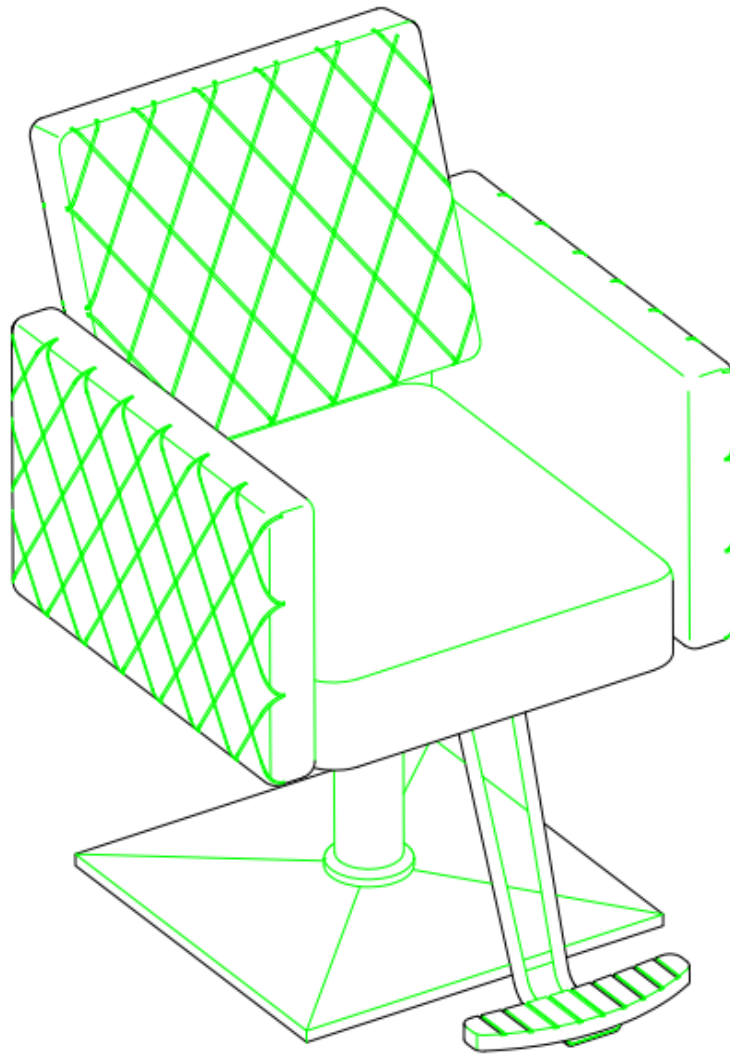


Omy *Salon*

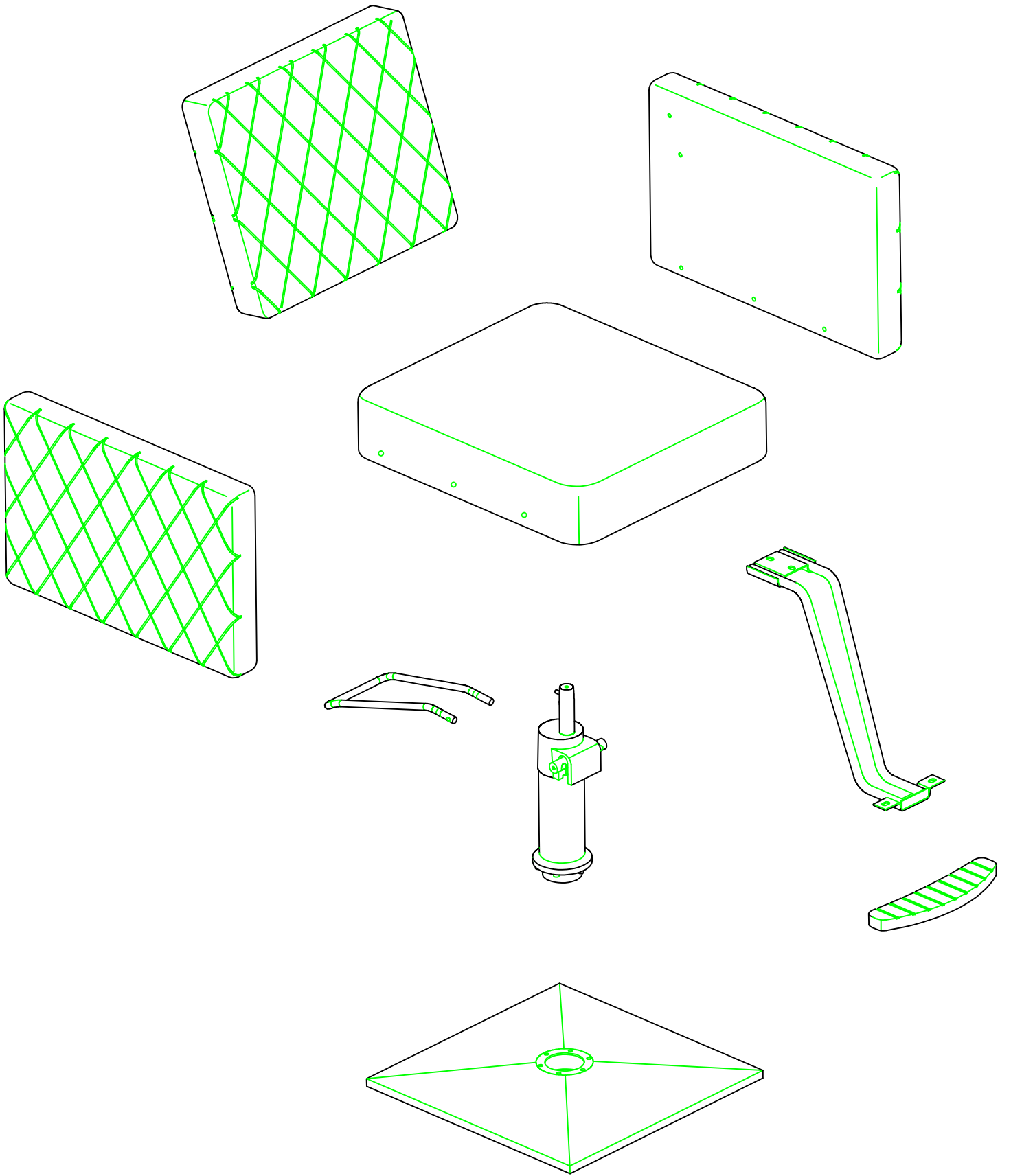
Styling Chair

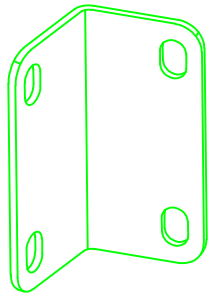
Model : SC2002-W



visit our website: www.omysalon.com

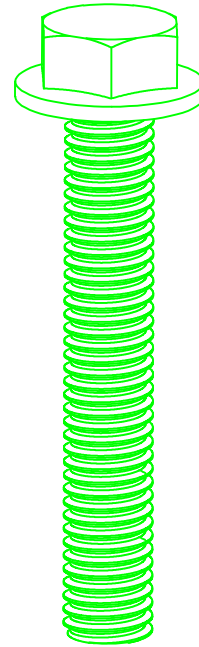
For missing parts or questions: email us at support@omysalon.com





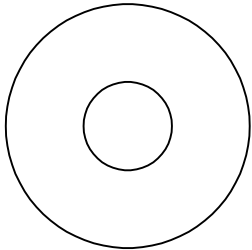
X2

105 ° angle code



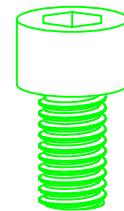
X6

M8x50



X6

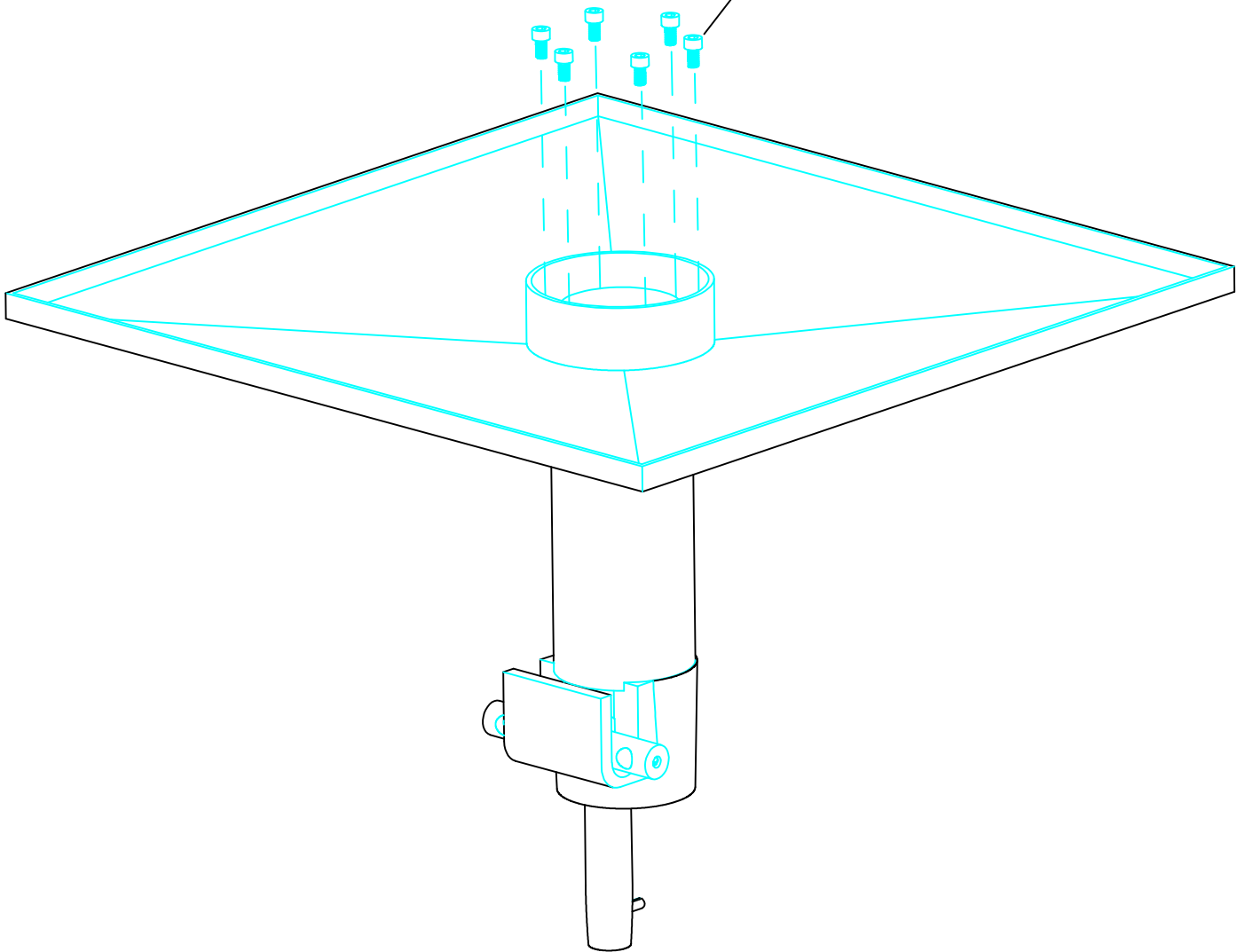
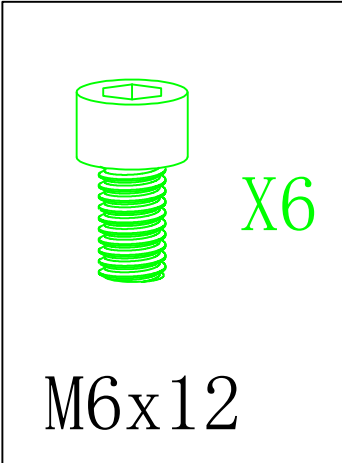
Plastic gasket
 $\phi 8 \times \phi 22 \times 1.5$



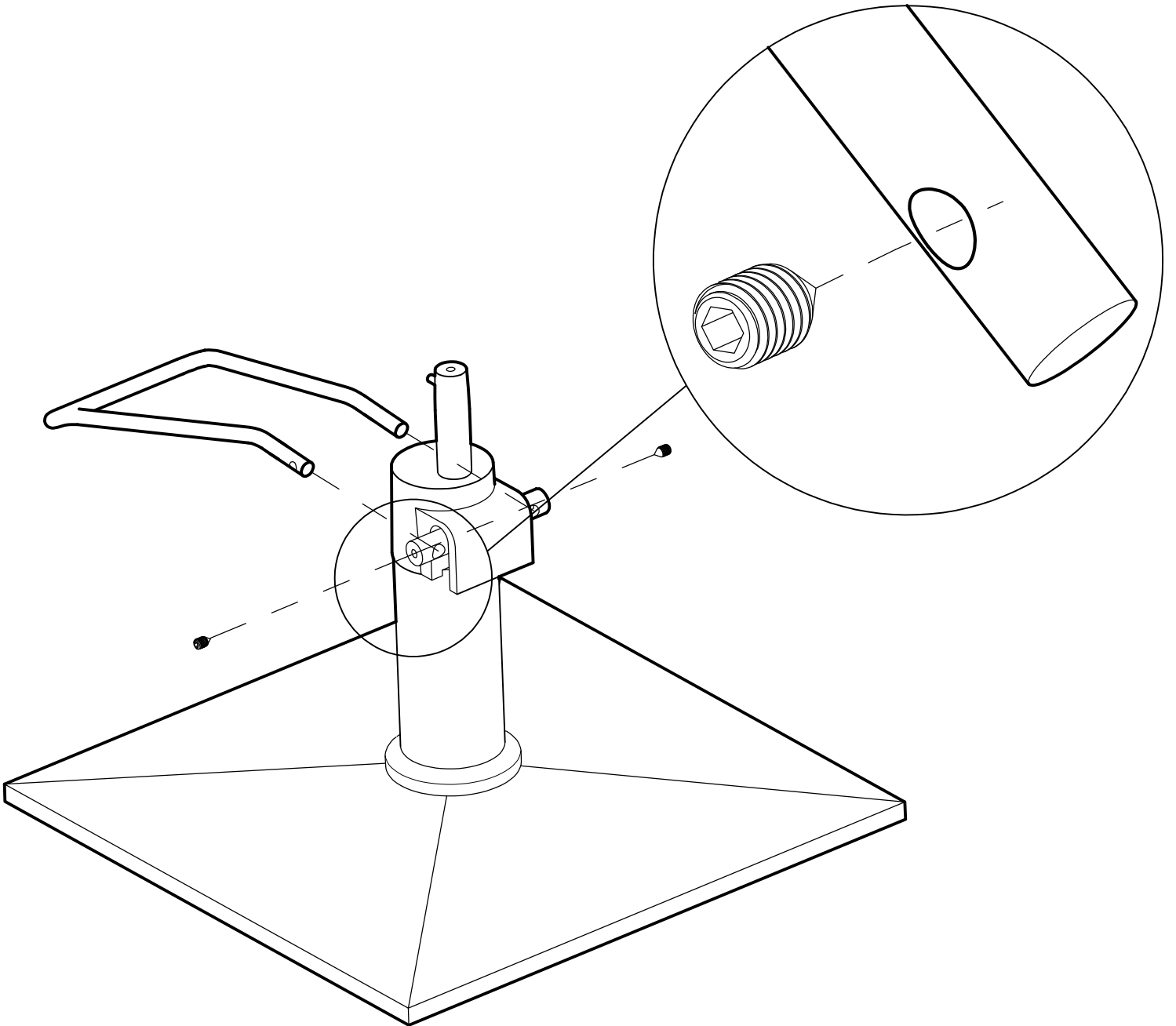
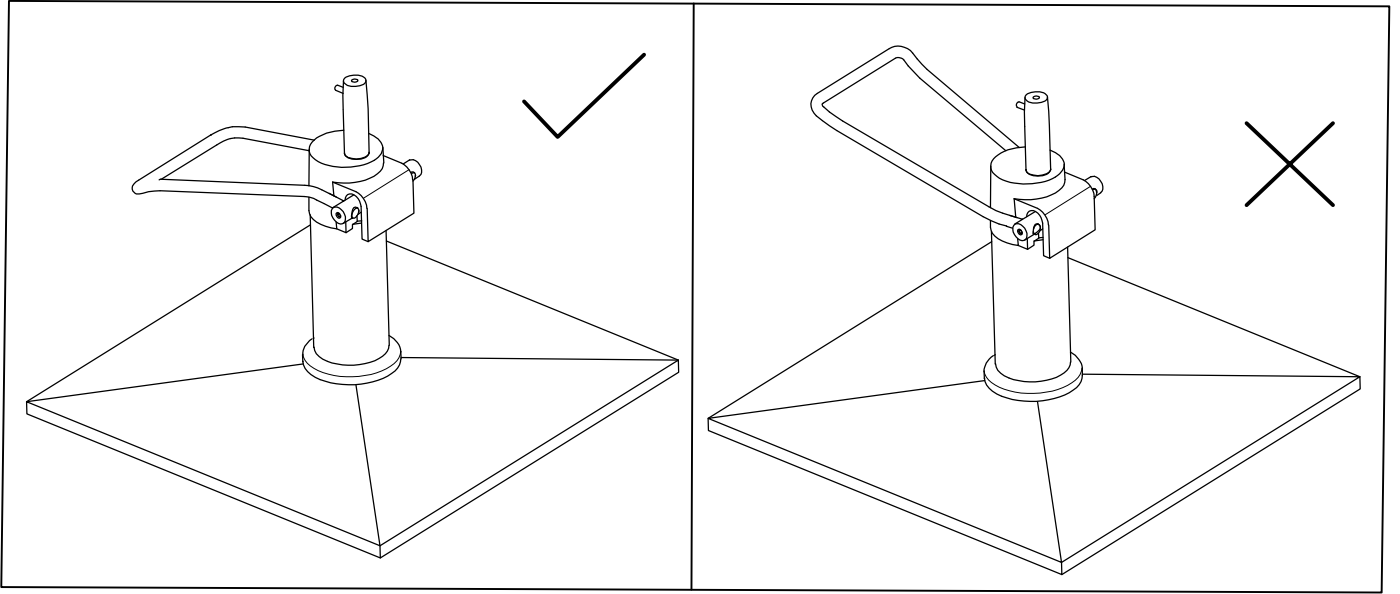
X6

M6x12

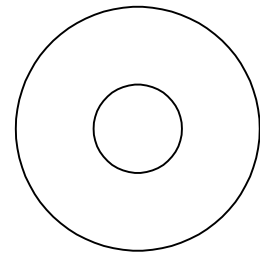
1



2

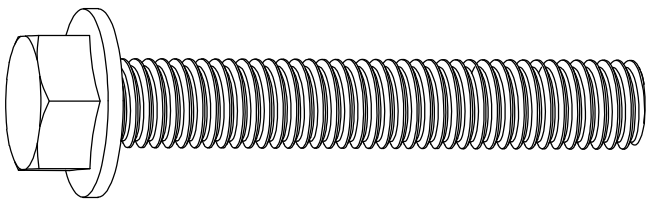
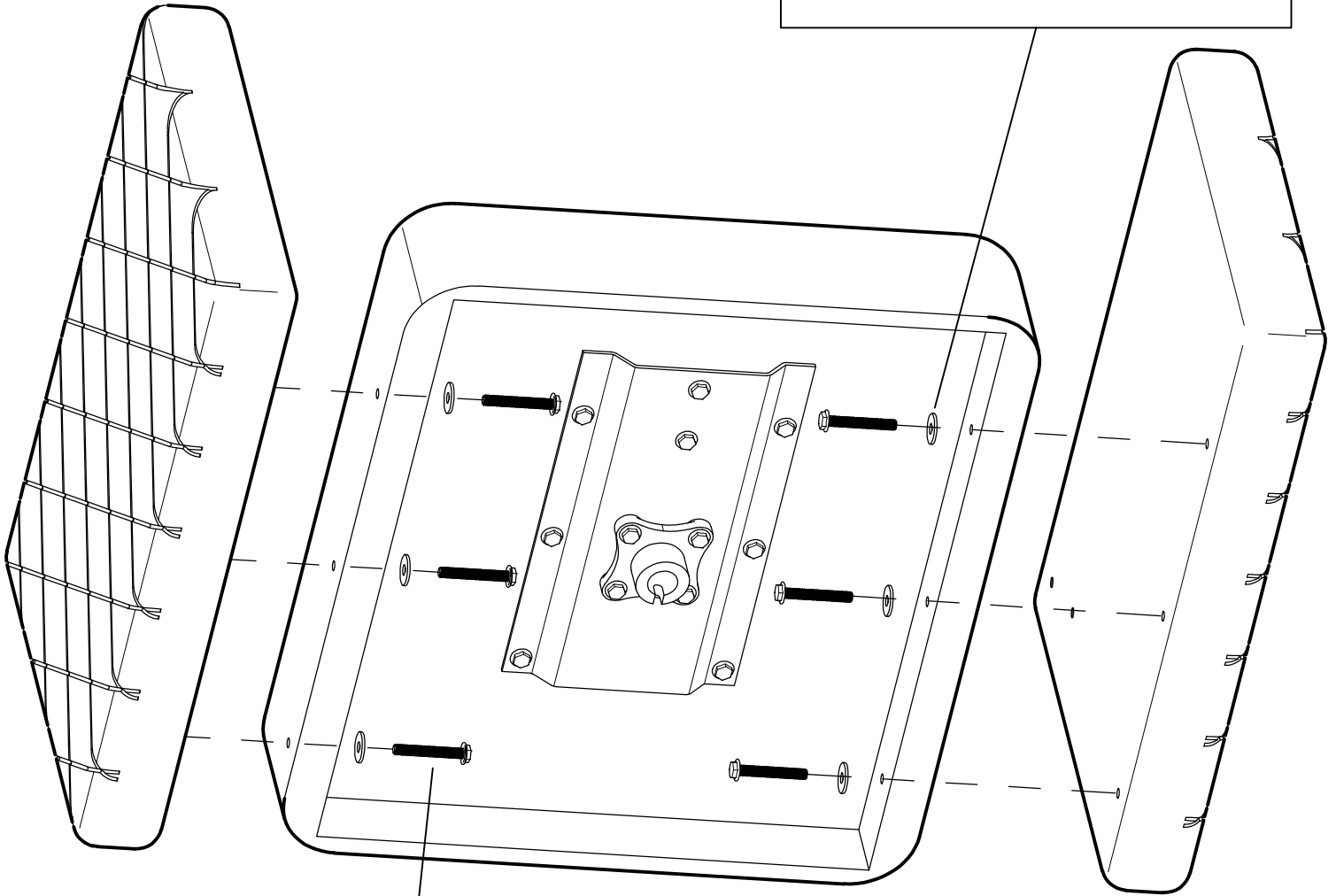


3



X6

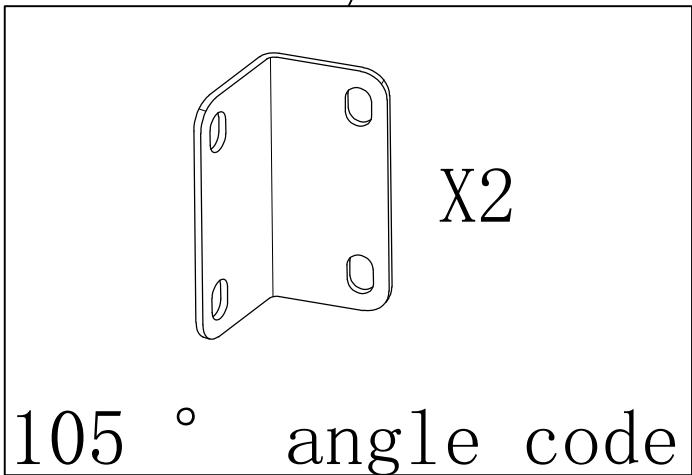
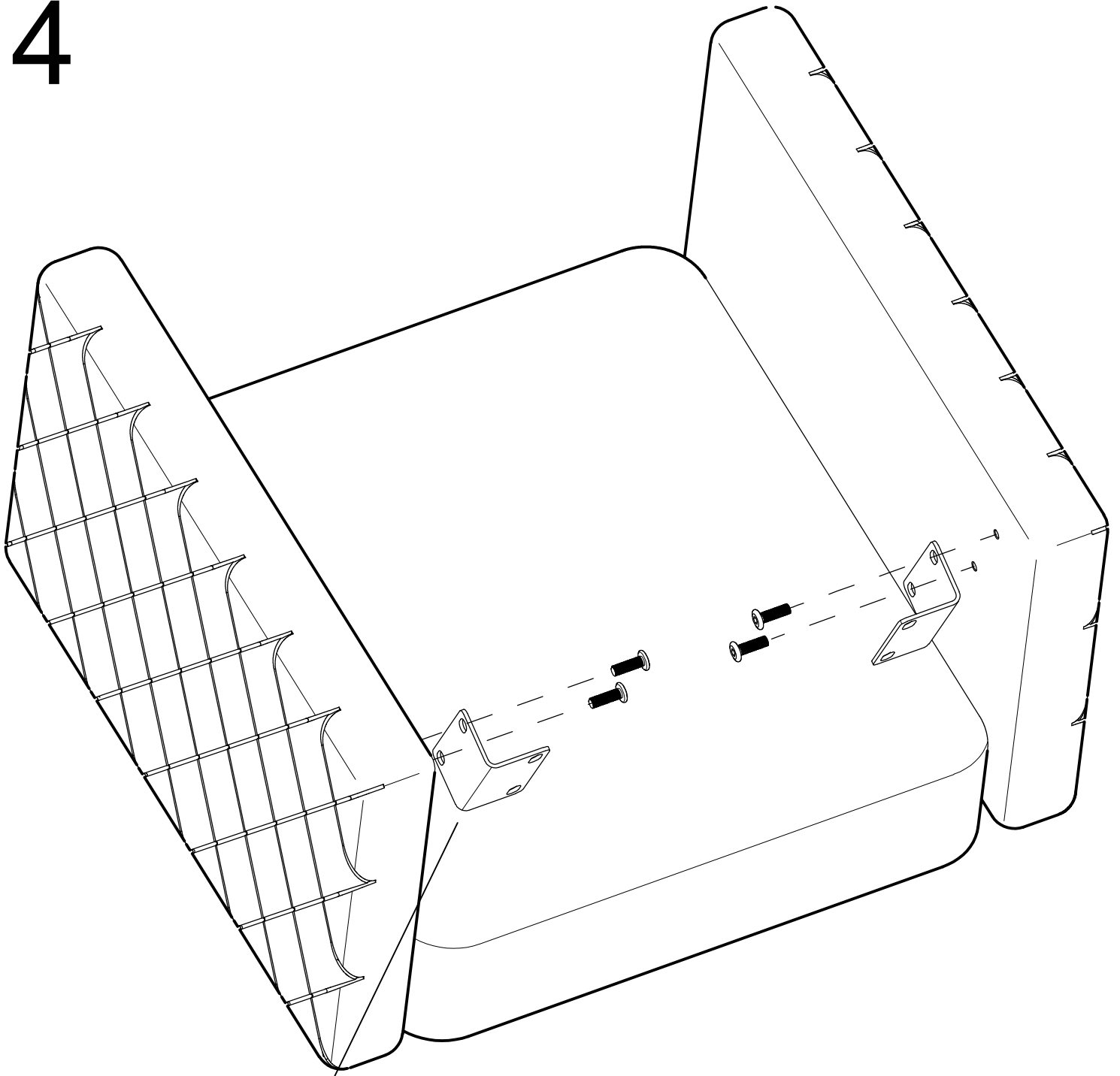
Plastic gasket
 $\phi 8 \times \phi 22 \times 1.5$



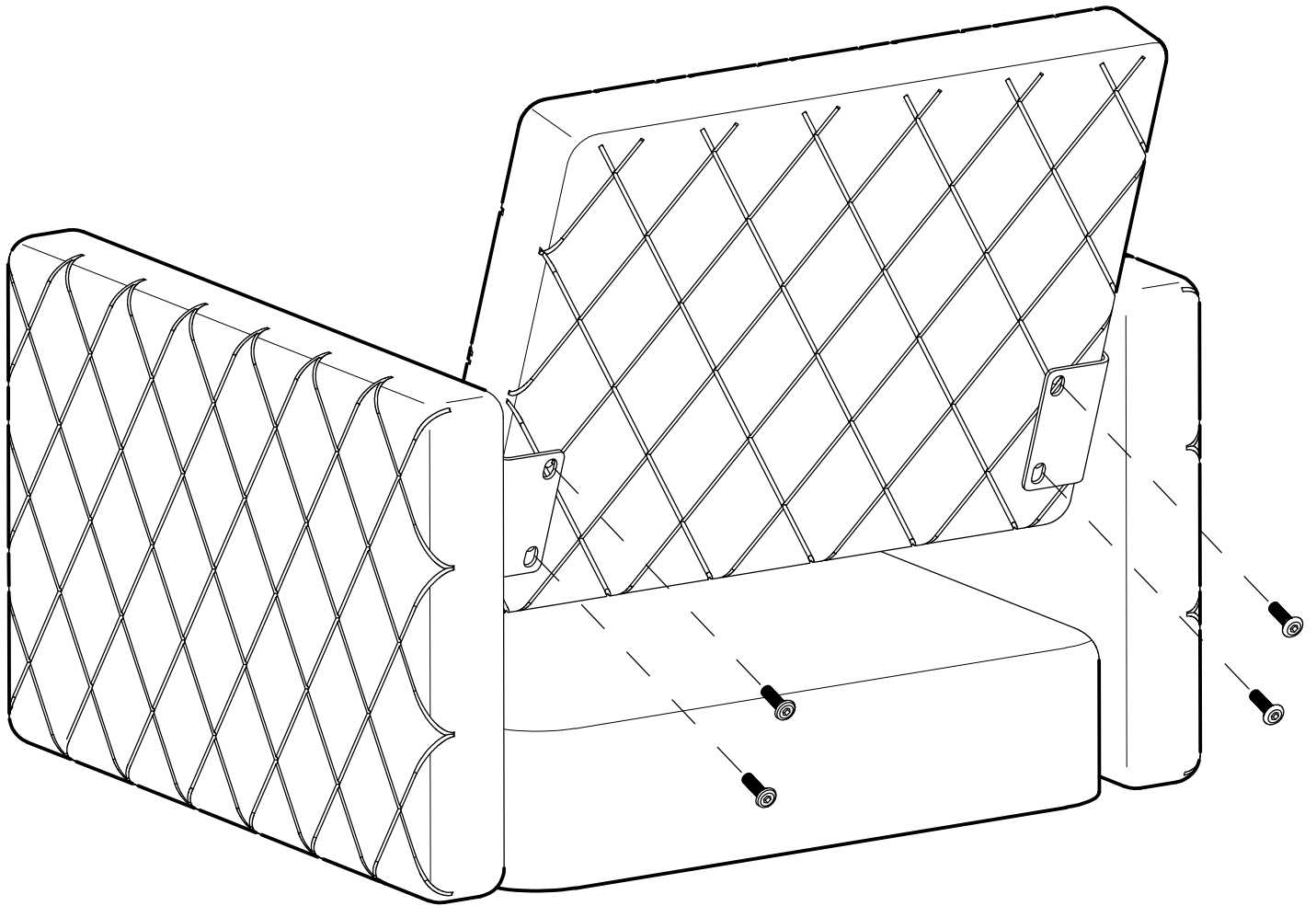
X6

M8x50

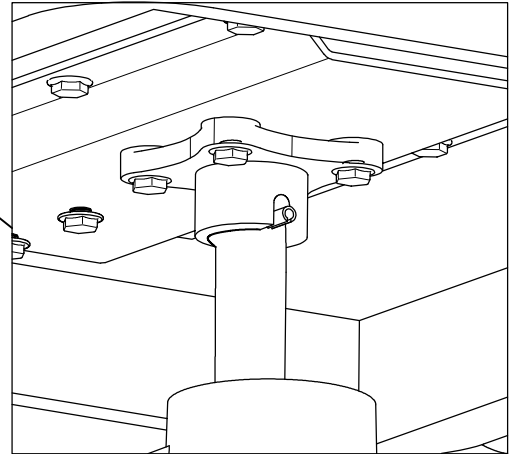
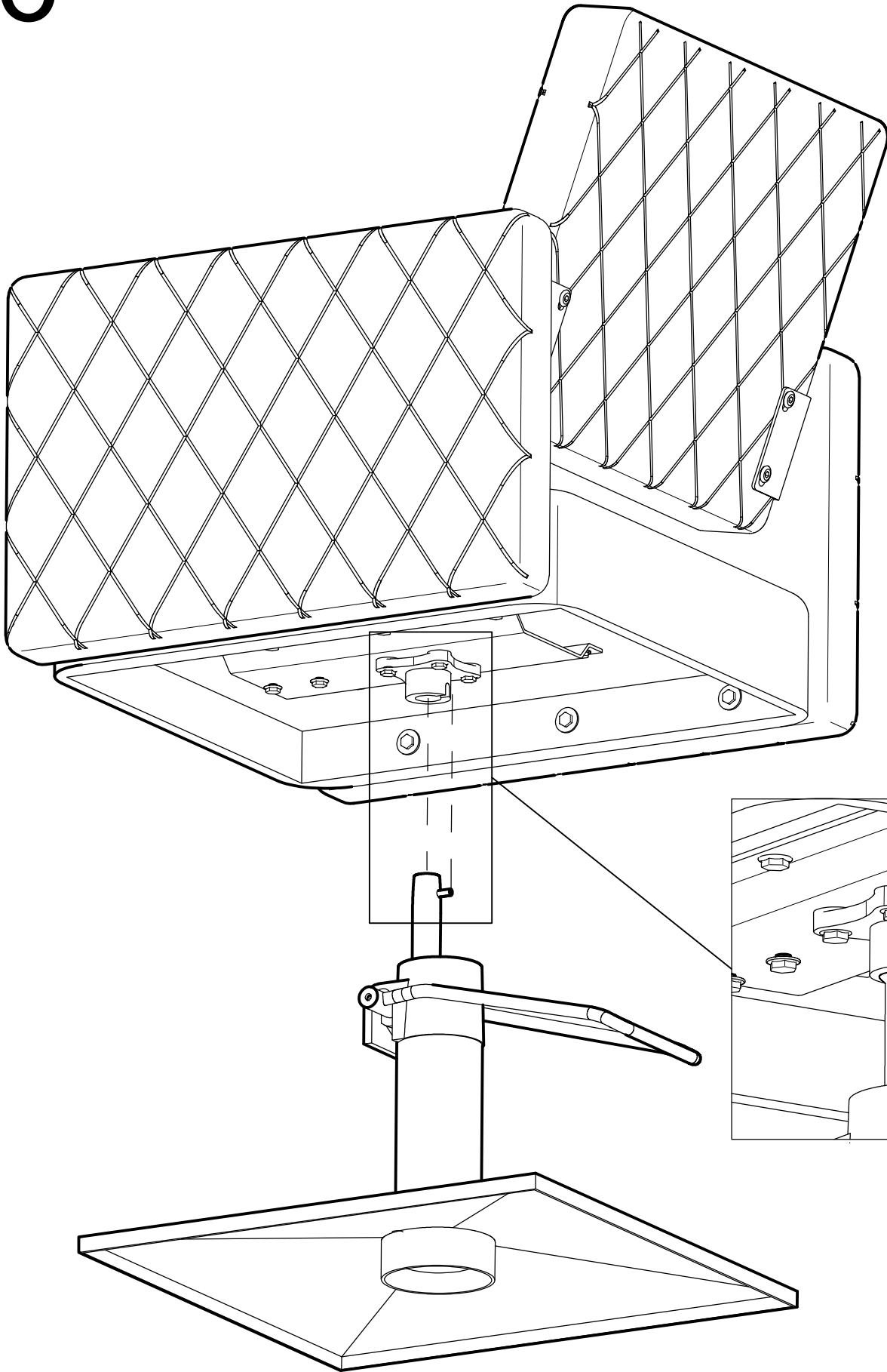
4



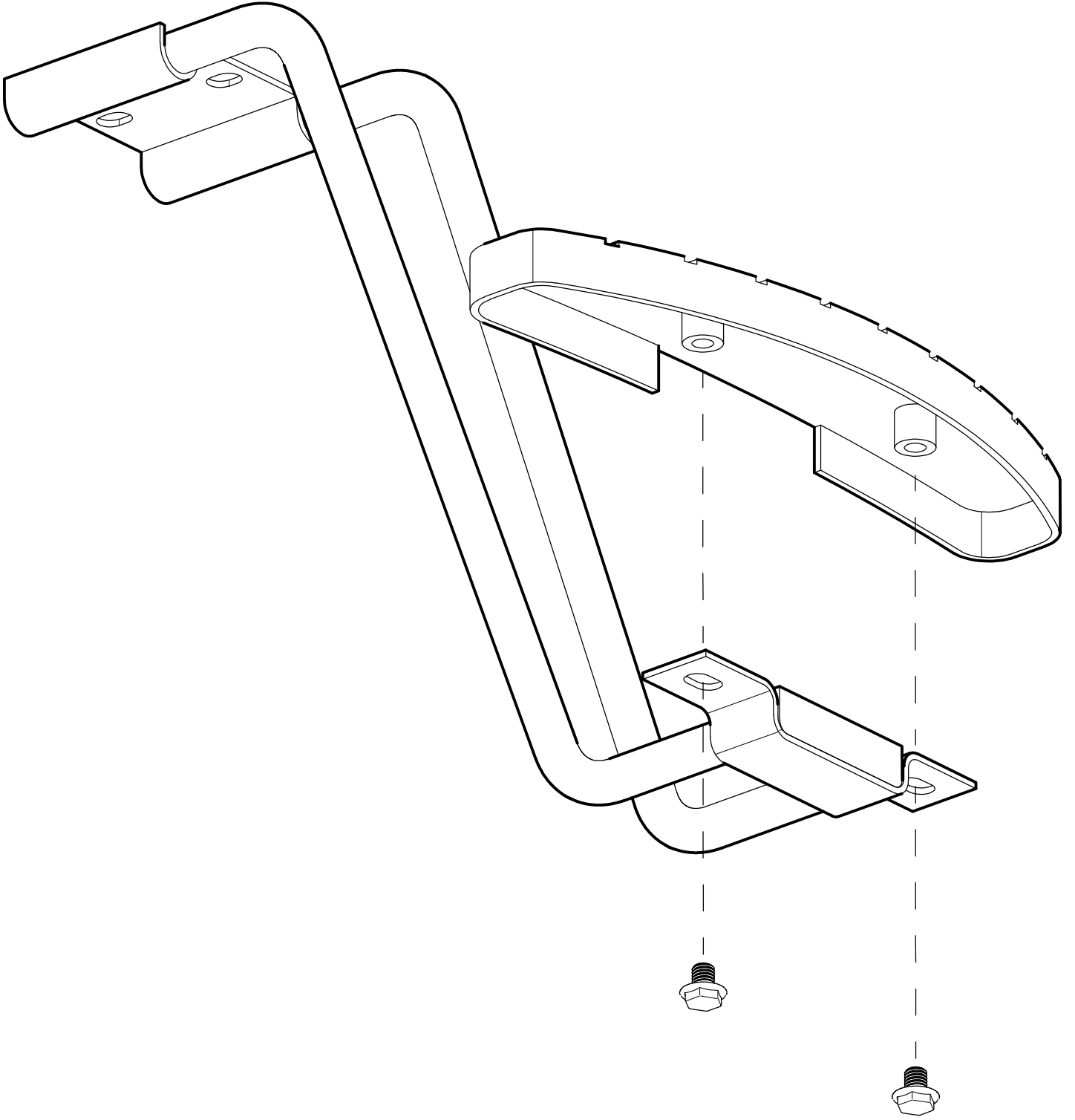
5



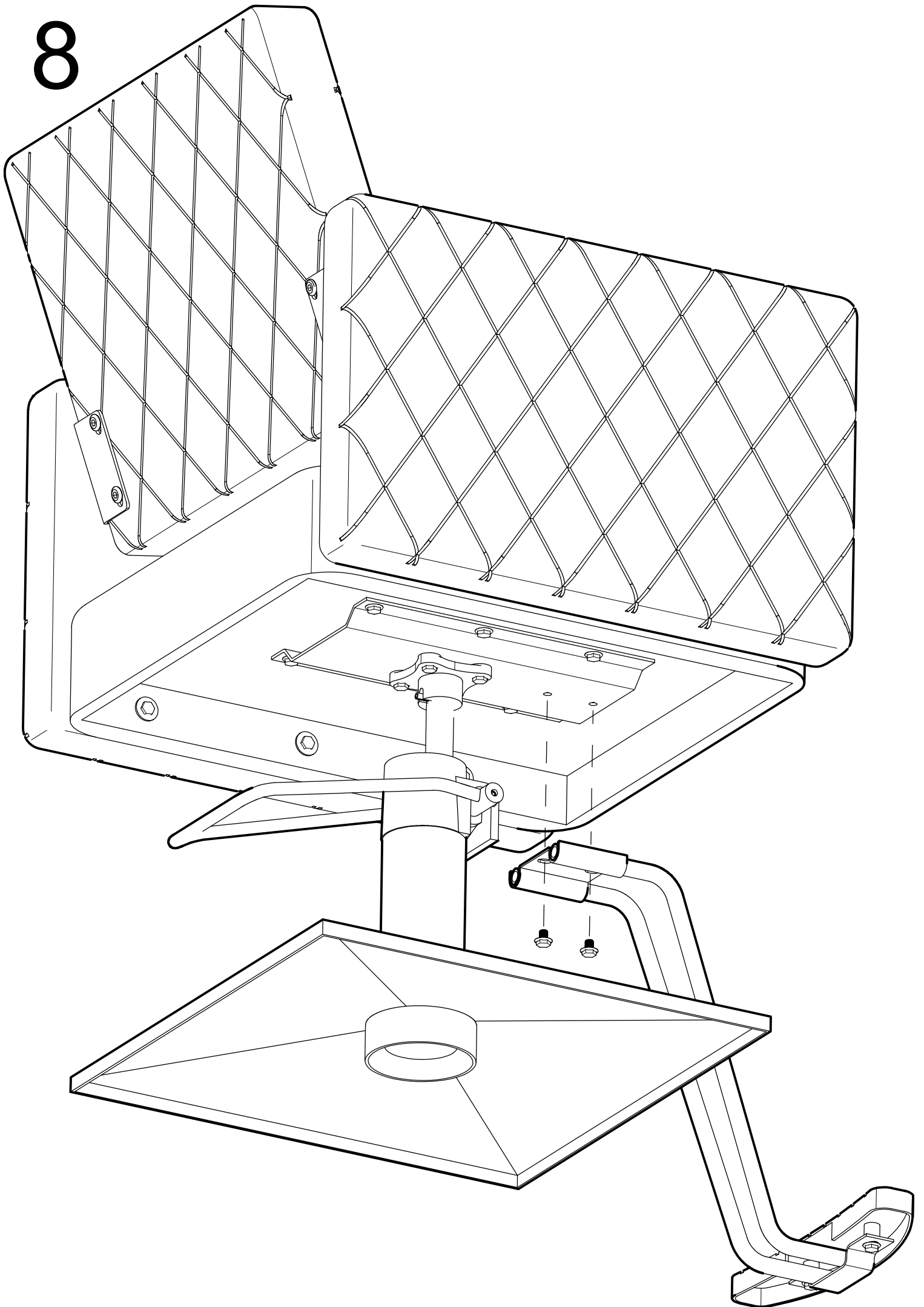
6



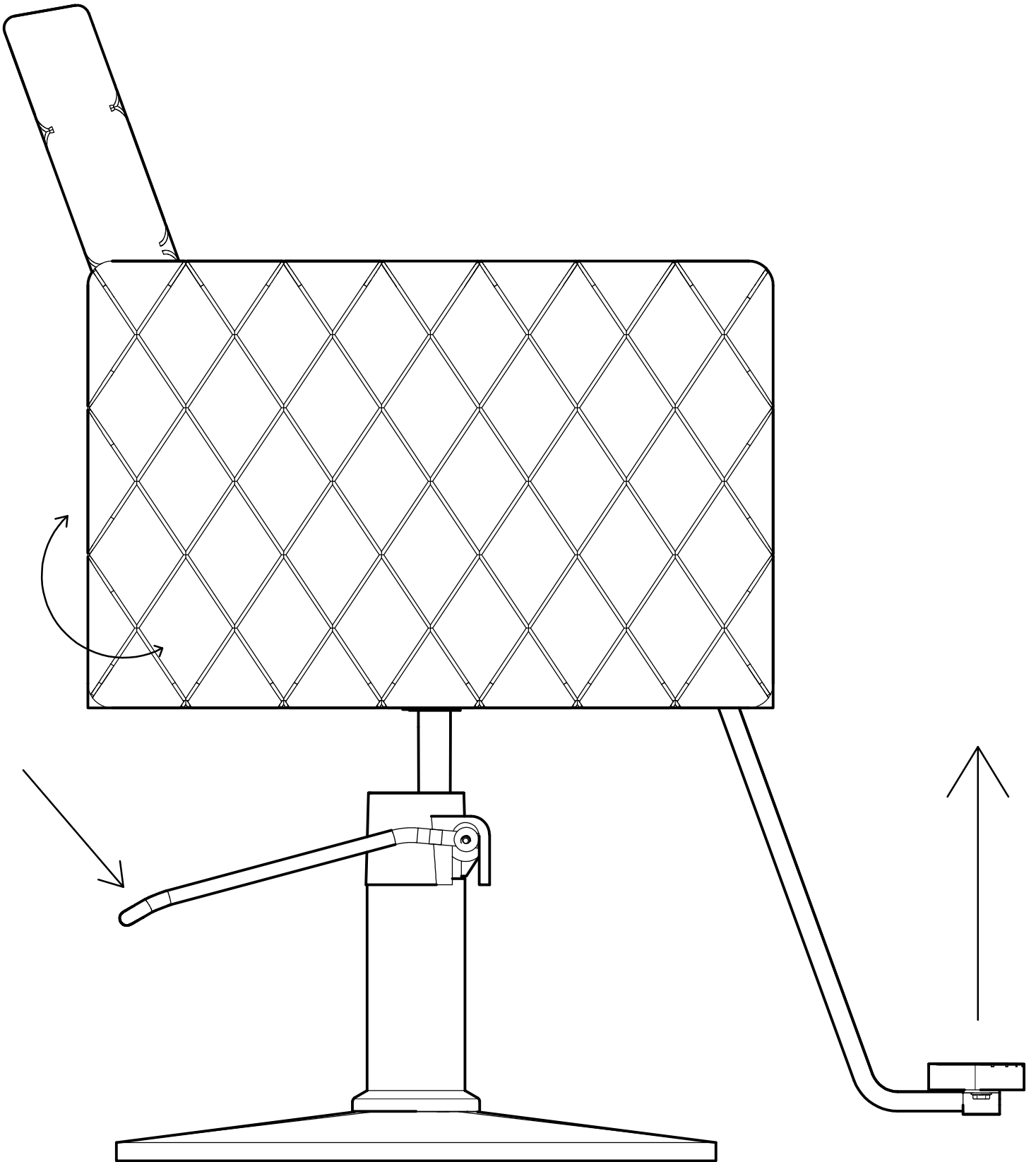
7



8

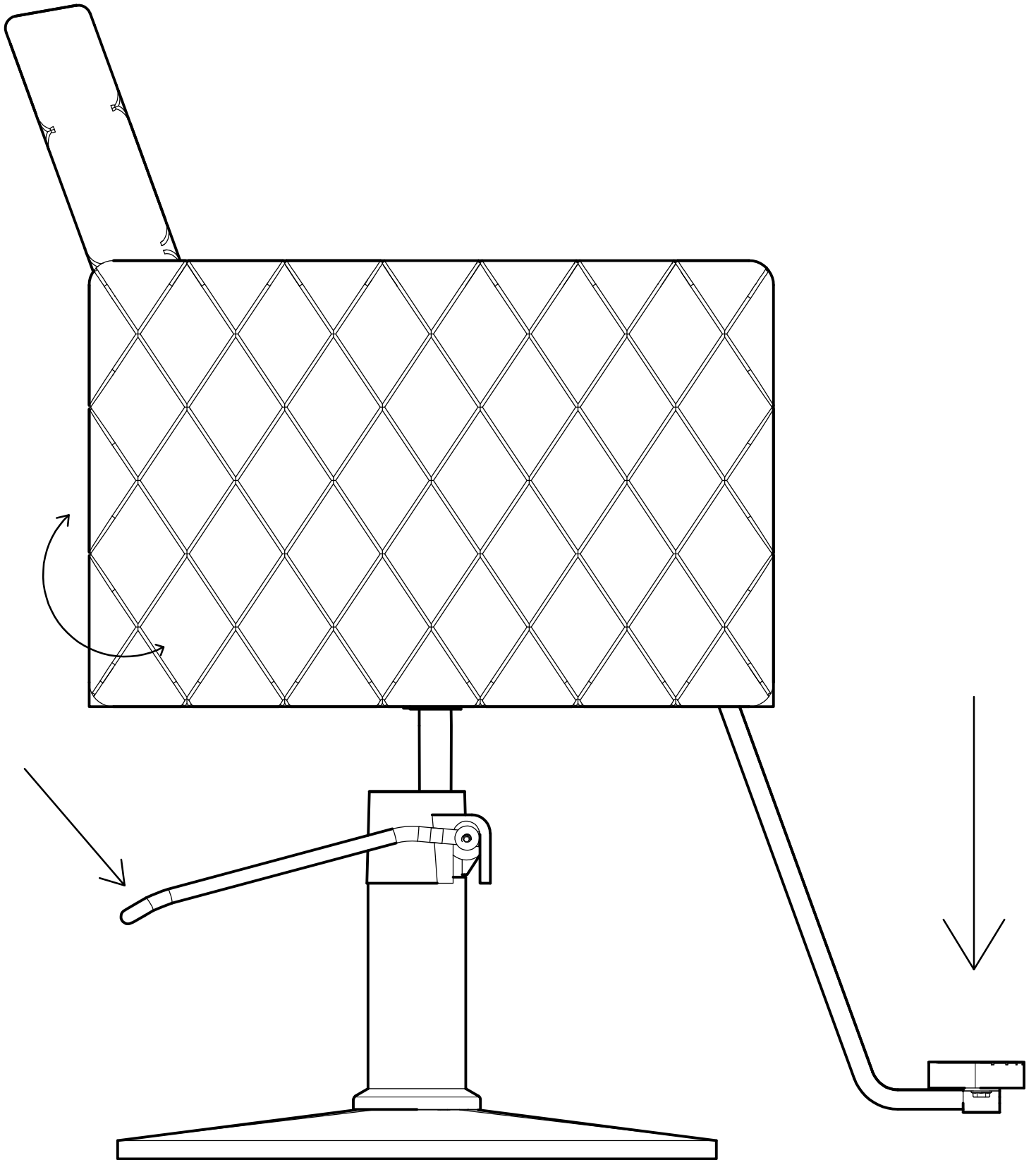


9



Repeatedly stepping down

10

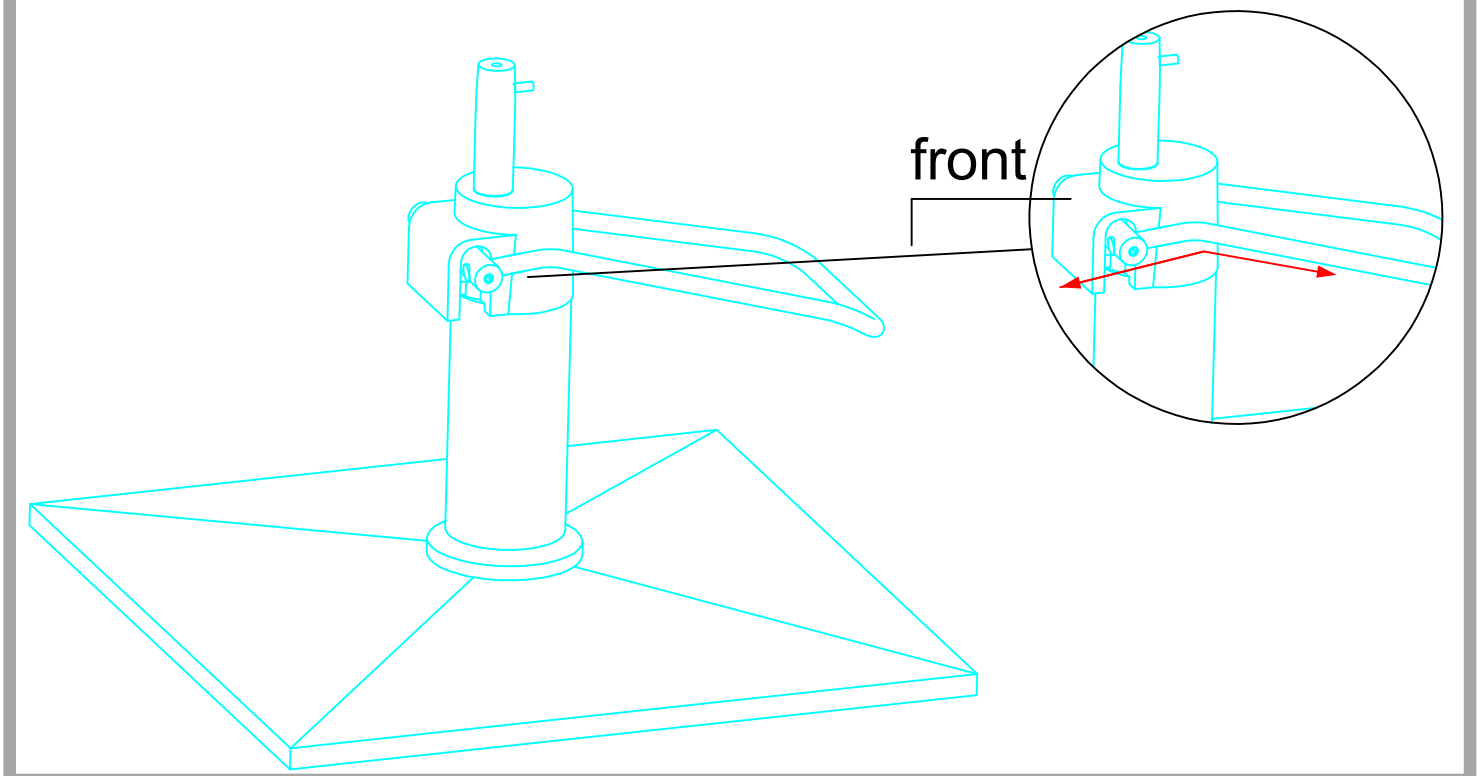


Repeatedly press and
apply downward force

12

Warm Tips

Correct Installation



1. When assembling the foot pedal, please pay attention to the direction. The curved part of the foot pedal should be downward. If you have to pull up pedal instead of step down to raise chair, that means you assemble it backwards.
2. Step down foot pedal to the bottom when lowering chair.
3. Step down foot pedal half way when raising chair. If you step it down to the bottom, the chair will not raise and you may mistakenly believe that the pump is defective.
4. We have video regarding to assembly and usage, please reach out to us via support@omysalon.com