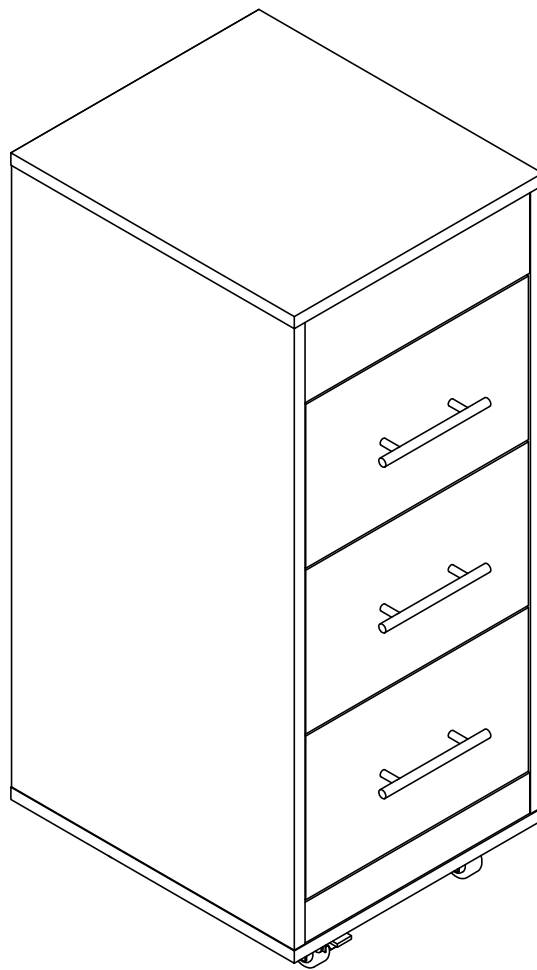


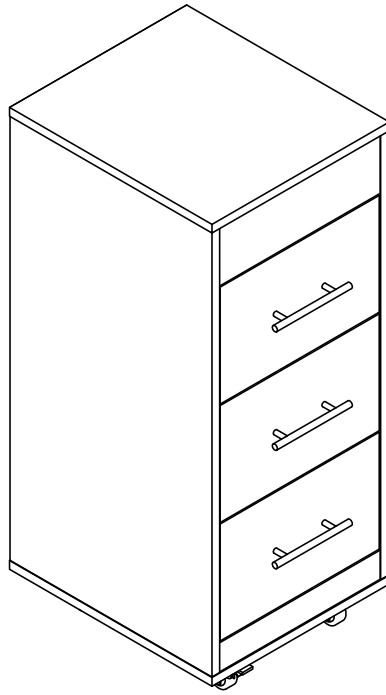
Omy *Salon*

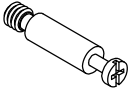
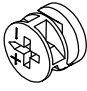

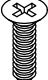

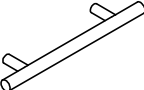



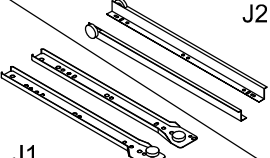


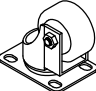
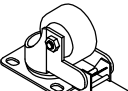

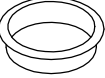


# SALON TROLLEY CART

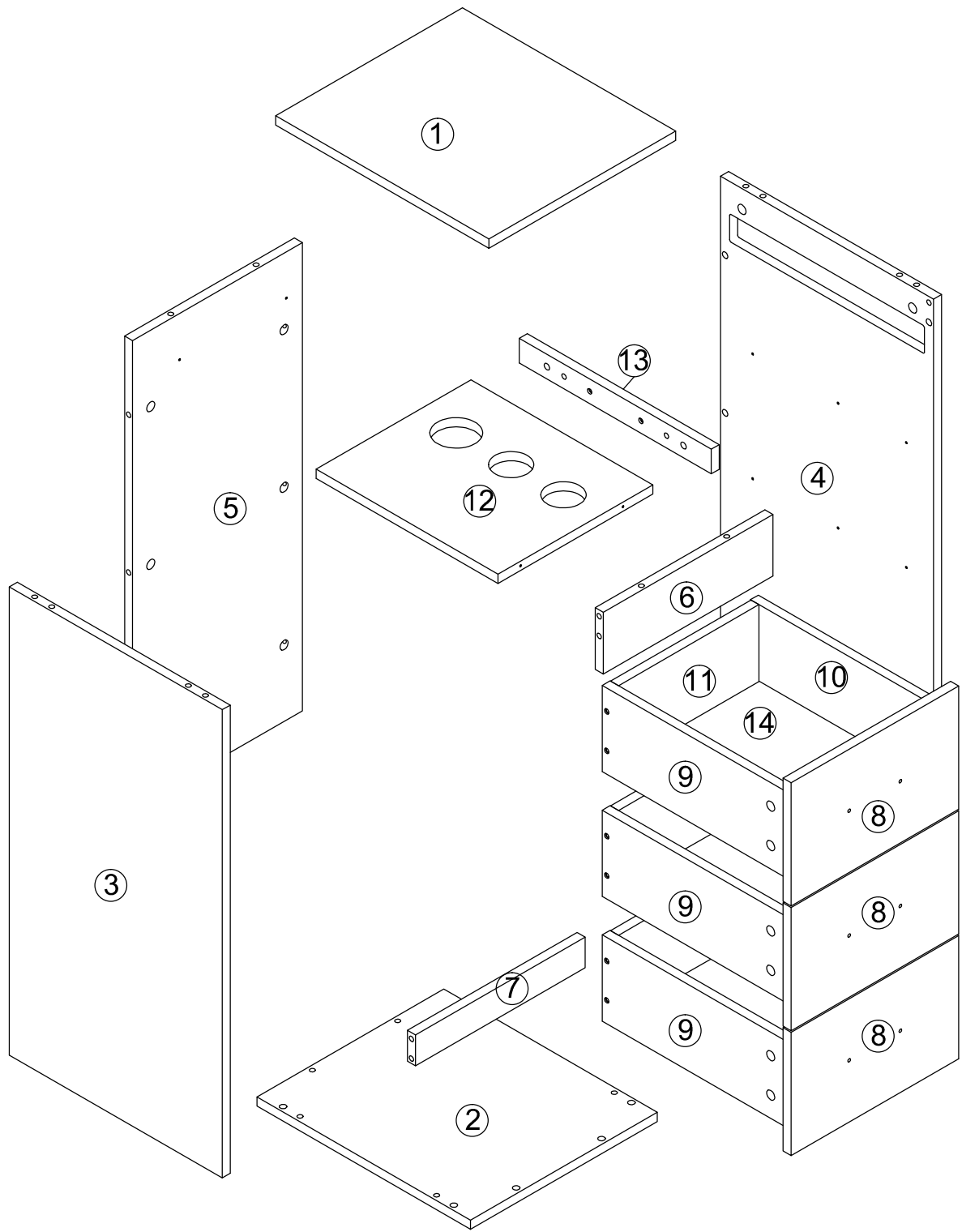
## USER MANUAL



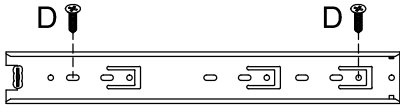
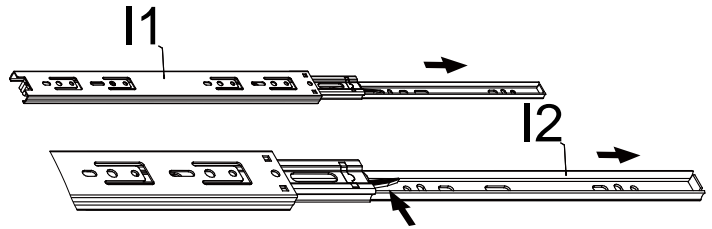
Thanks for purchasing OmySalon salon trolley cart. Please feel free to contact us if you have any problems with assembly or other after-sale issues. OmySalon customer service team is here to assist you. Email: [support@omysalon.com](mailto:support@omysalon.com); Website: [www.omysalon.com](http://www.omysalon.com). Please attach your user name or order ID so that we can serve you better.



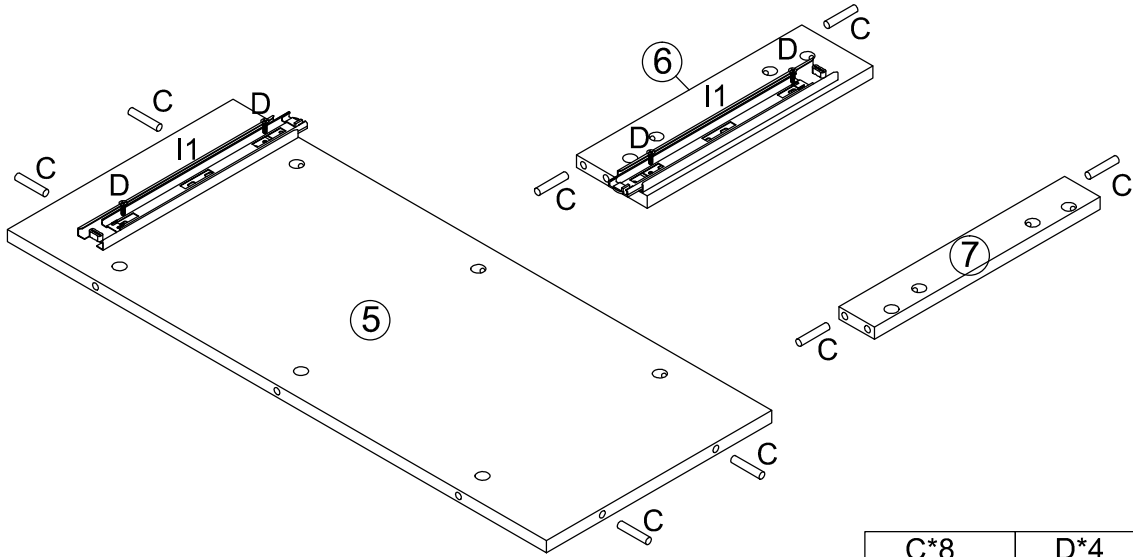
		 Ø8*40	 M3.5*14	 M4*35
A*36	B*36	C*18	D*38	E*12
	 M4*19	 M4*16	 I1	 J1
F*4	G*6	H*2	 I2	 J2
		 M*2	 N*1	 M6*12
K*2	L*2	M*2	N*1	O*16
 Ø20				
P*36				






# 1

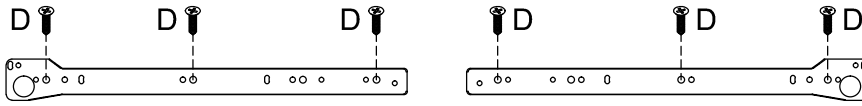


I1

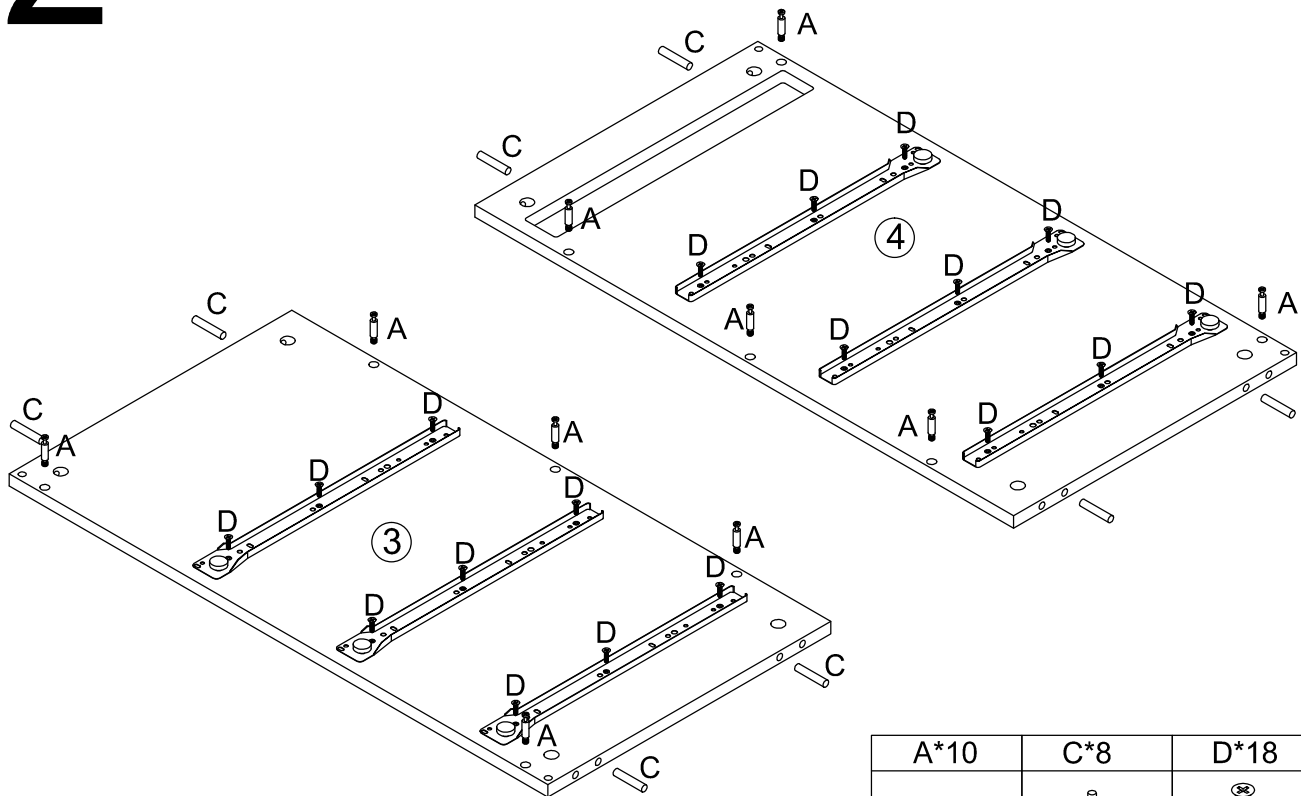






C*8	D*4	I1*2
 Ø8*40	 M3.5*14	

# 2

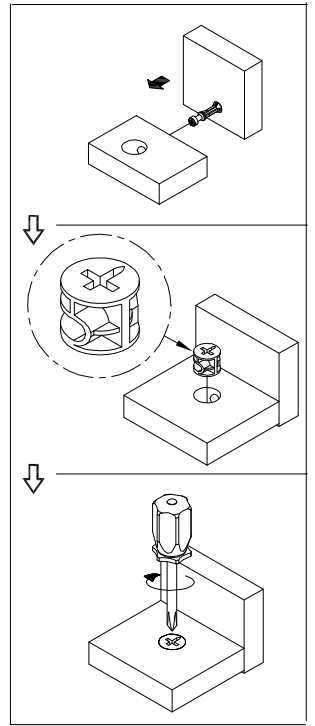
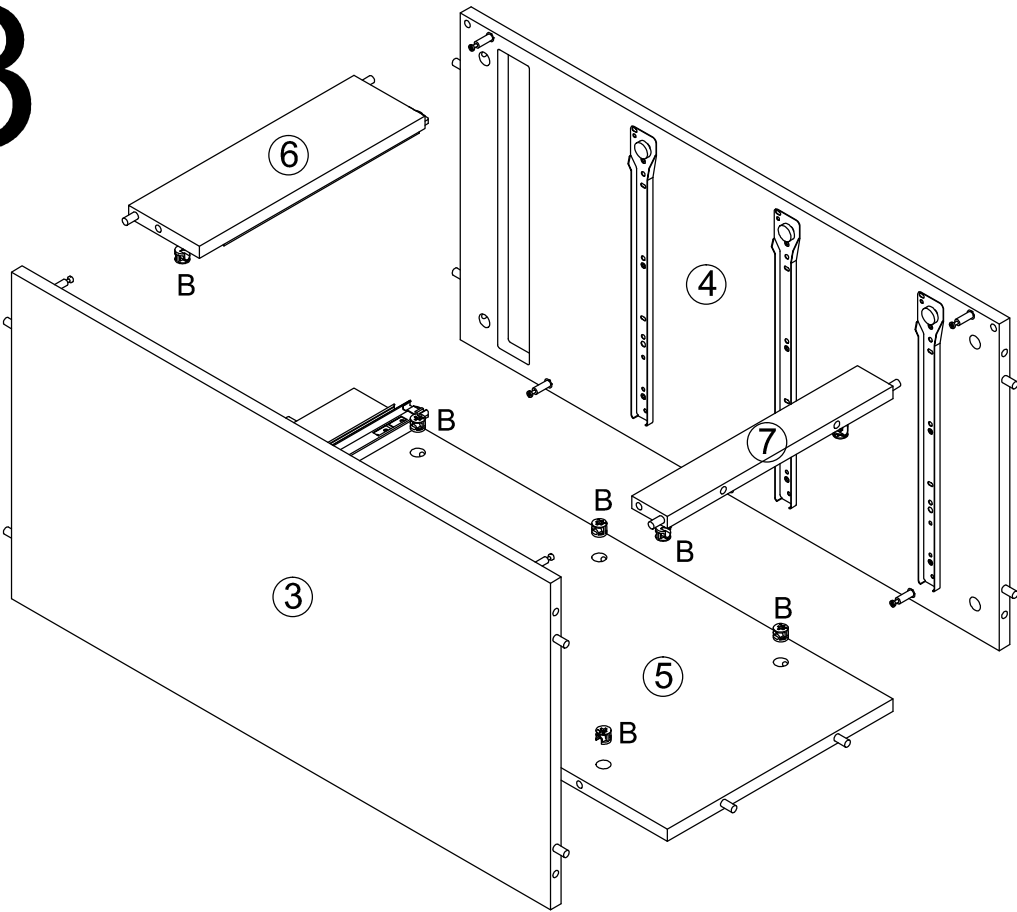


J1



A*10	C*8	D*18	J1*3
 Ø8*40	 Ø8*40	 M3.5*14	

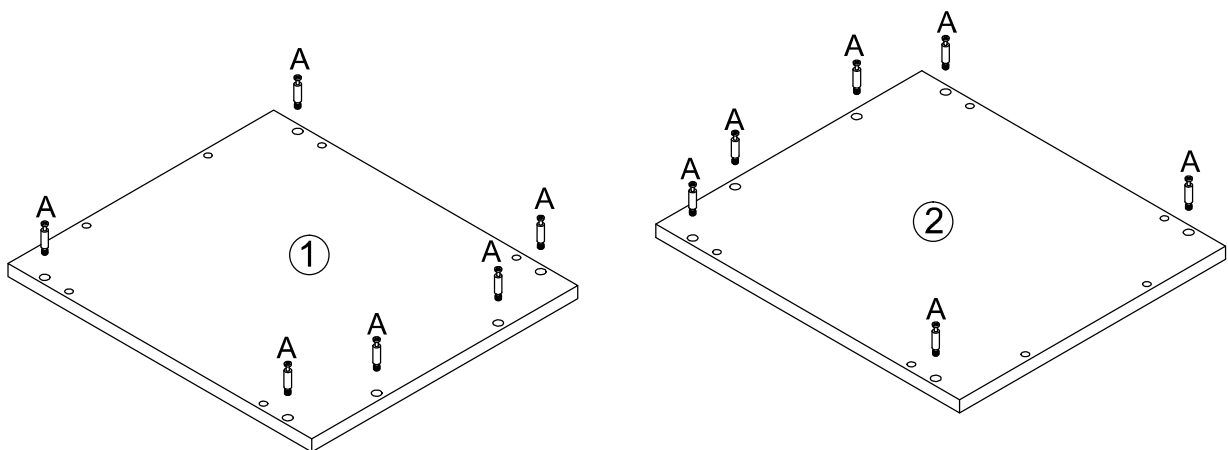
# 3



B\*10



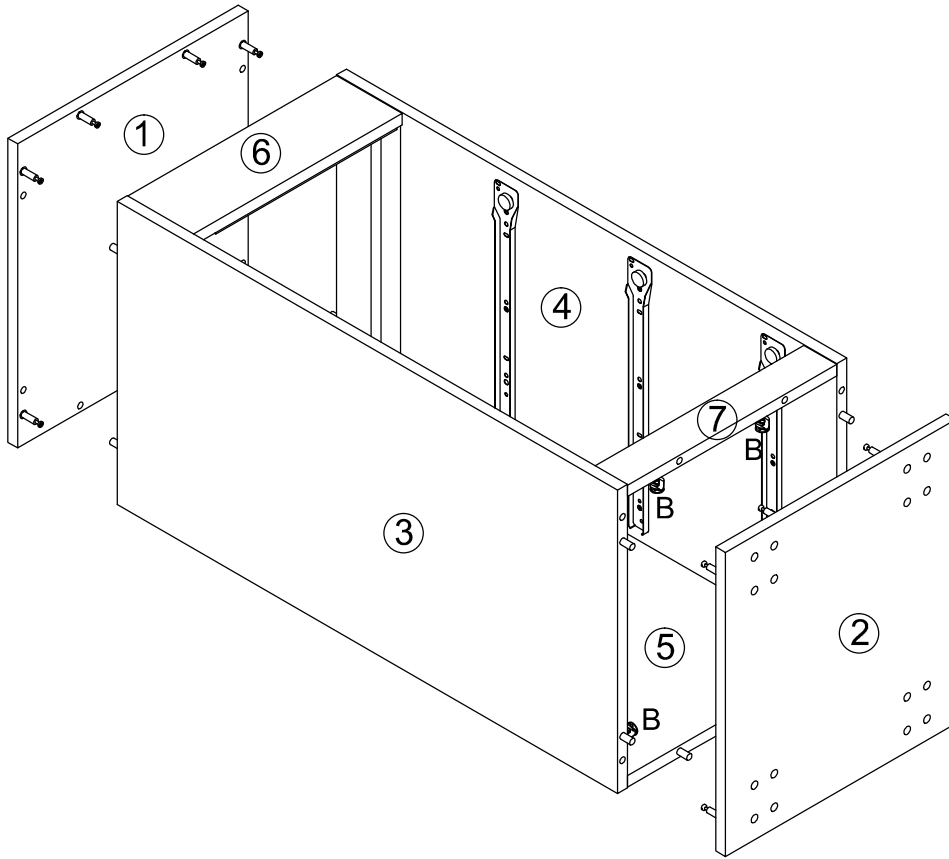
# 4



A\*12



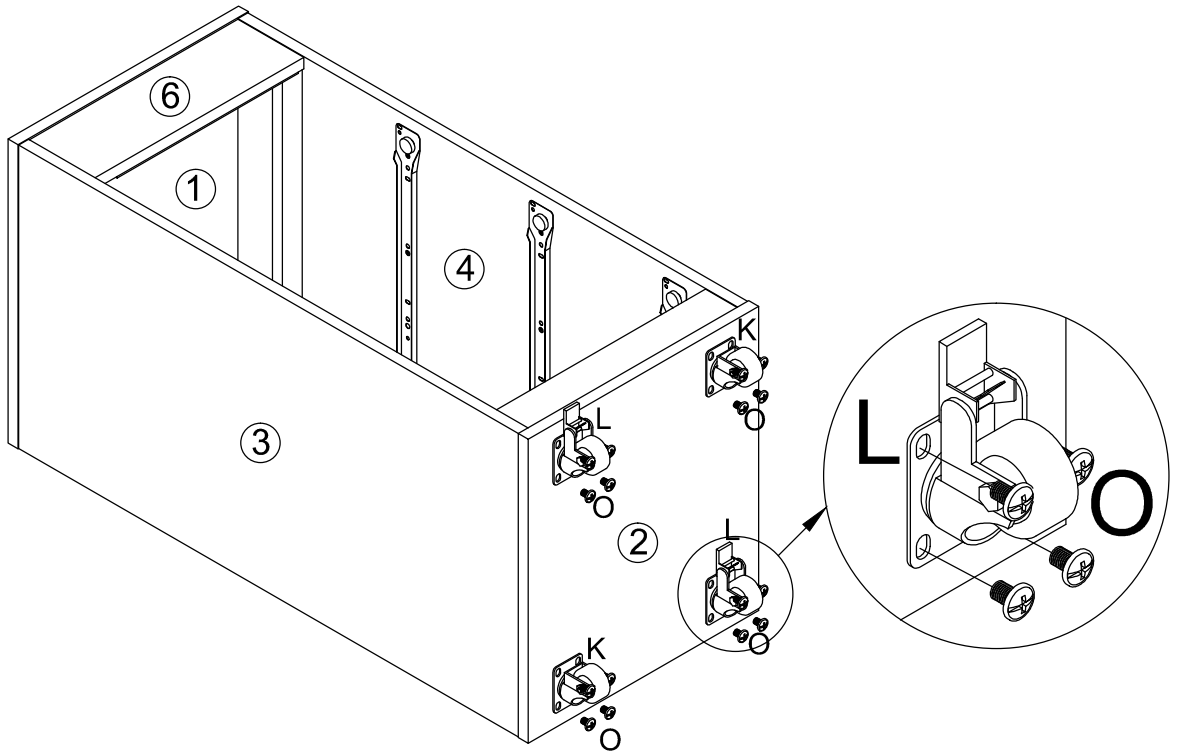
# 5



B\*12



# 6



K\*2



L\*2

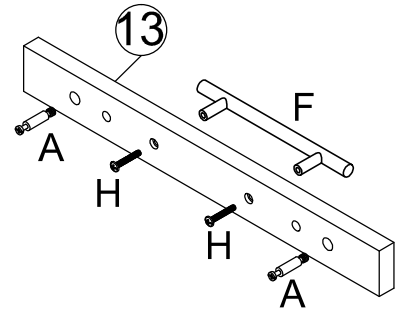
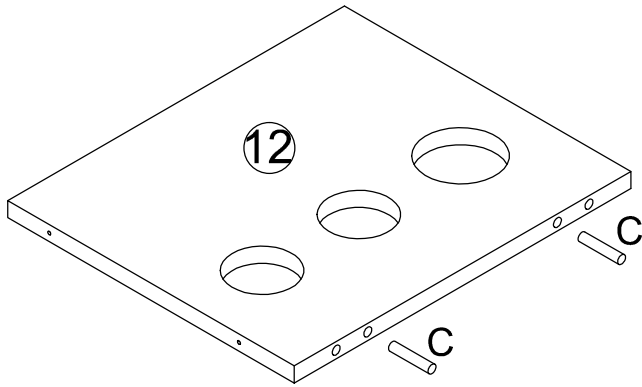


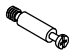

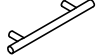

O\*16



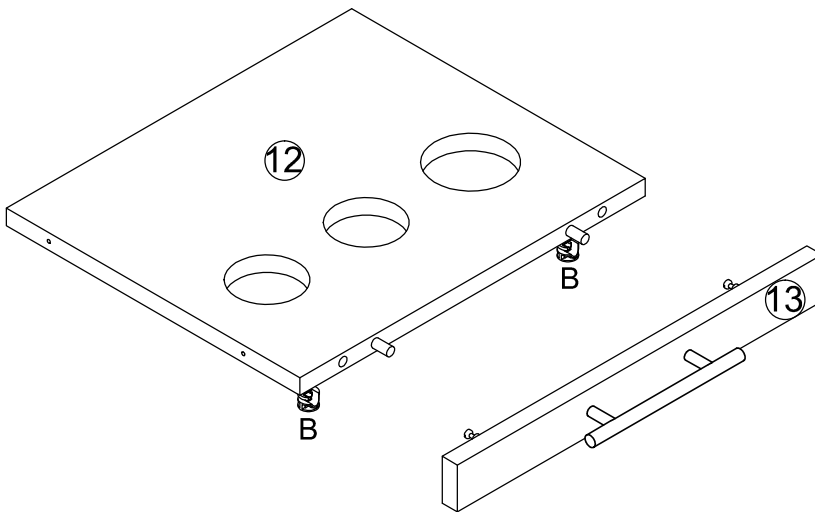
M6\*12


# 7



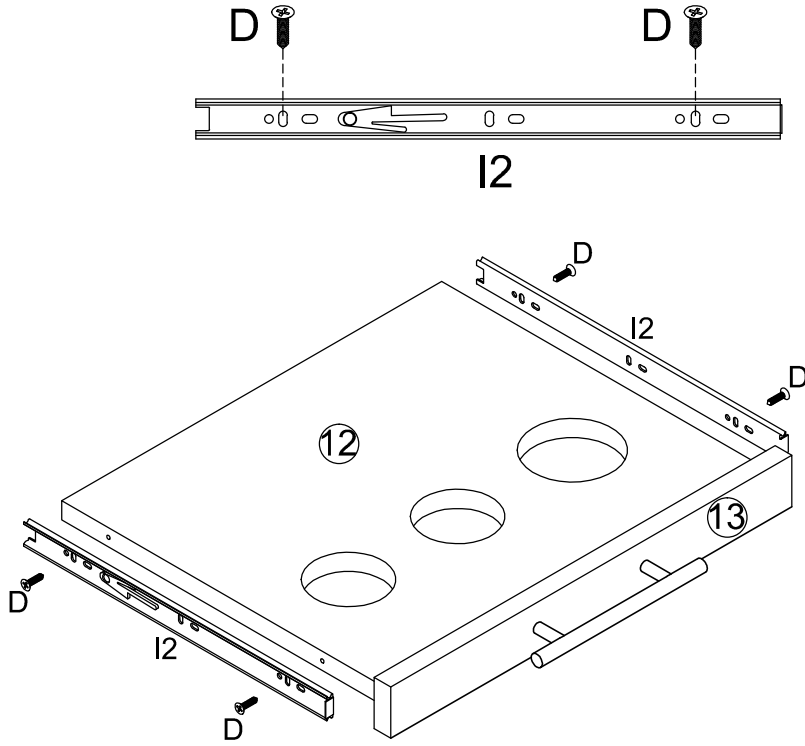
A*2	C*2	F*1	H*2
	 Ø8*40		 M4*16



# 8



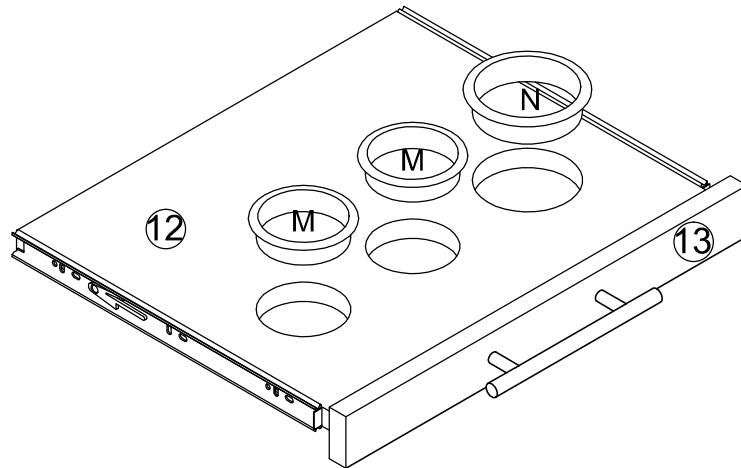
B*2




# 9



D*4	I2*2
 M3.5*14	

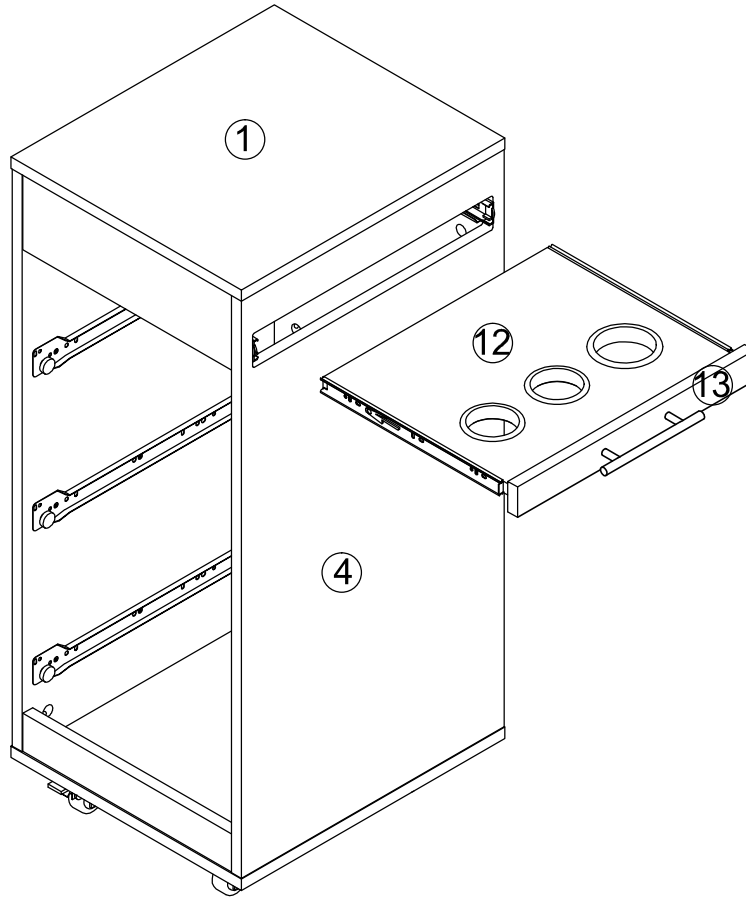
# 10



M*2	N*1
	



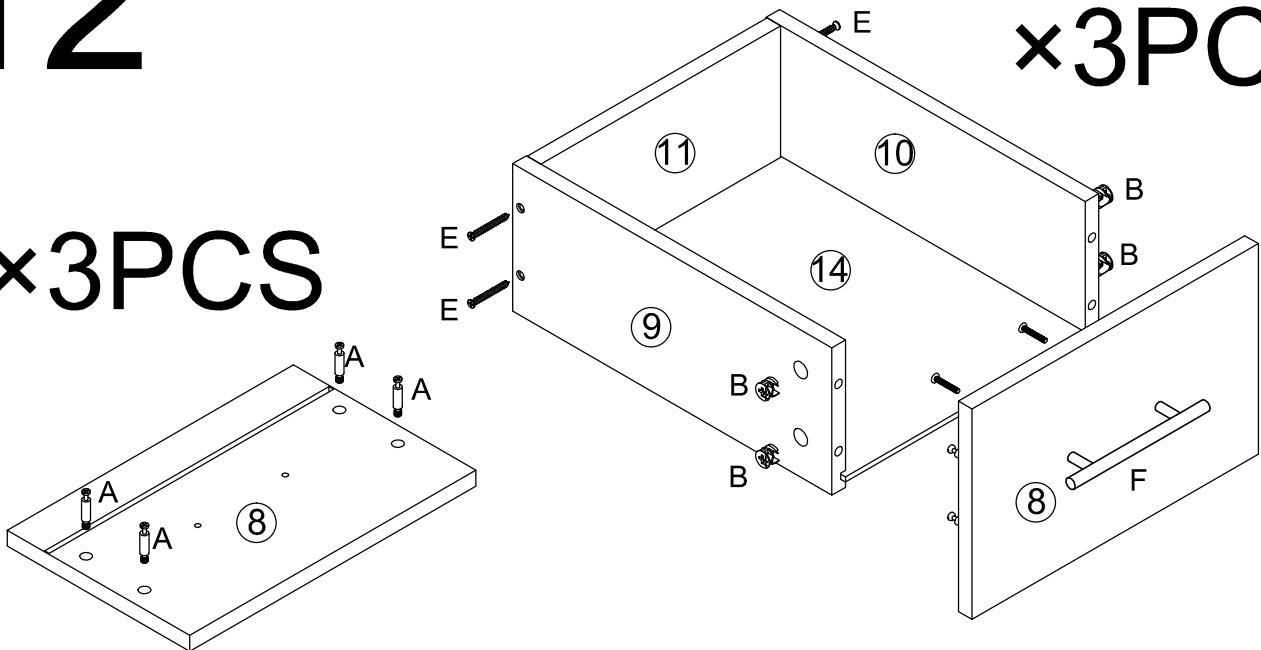
# 11








# 12

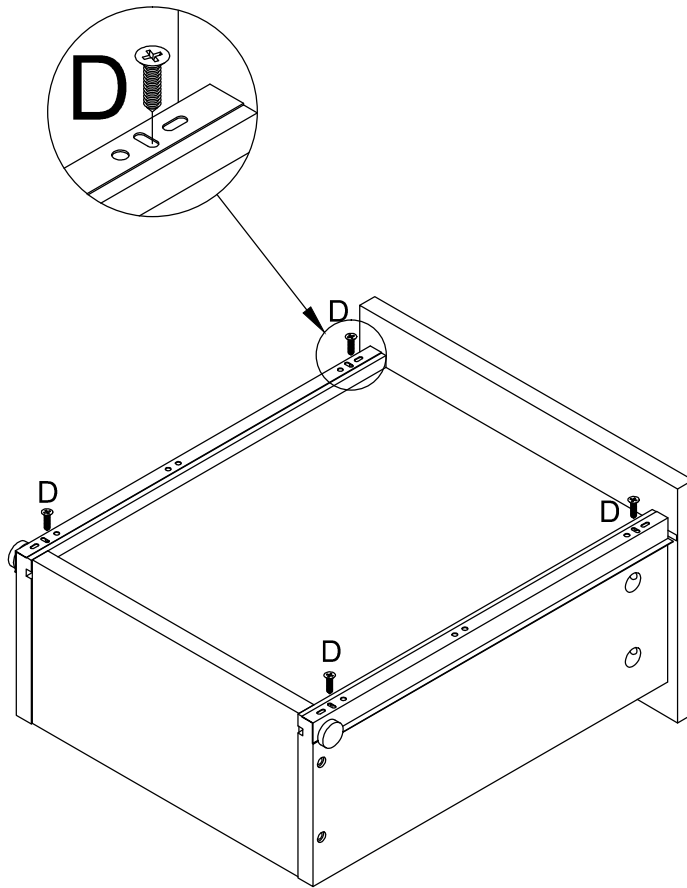
×3PCS

×3PCS





A*12	B*12	E*12	F*3	G*6
		 M4*35		 M4*19

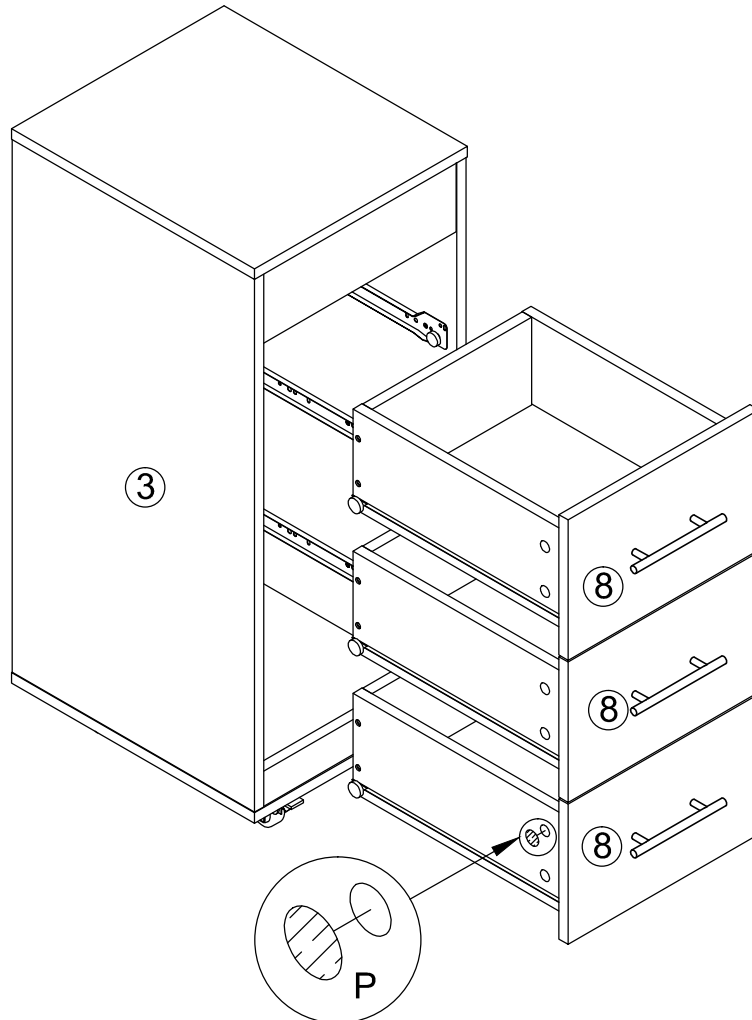
# 13




## ×3PCS

D*12	J2*3
 M3.5*14	

# 14



P*36
 Ø20

# 15

