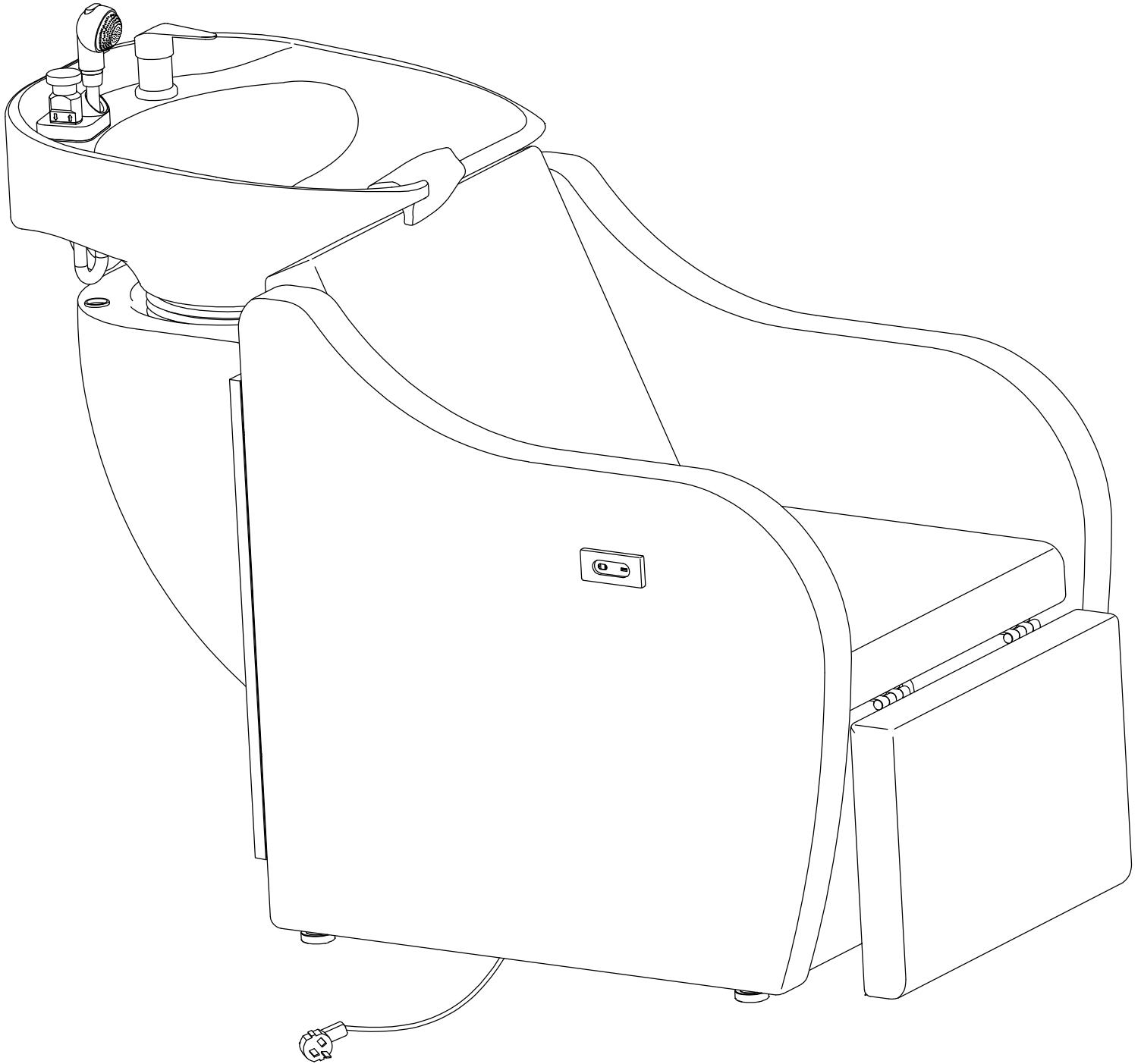


# OmySalon

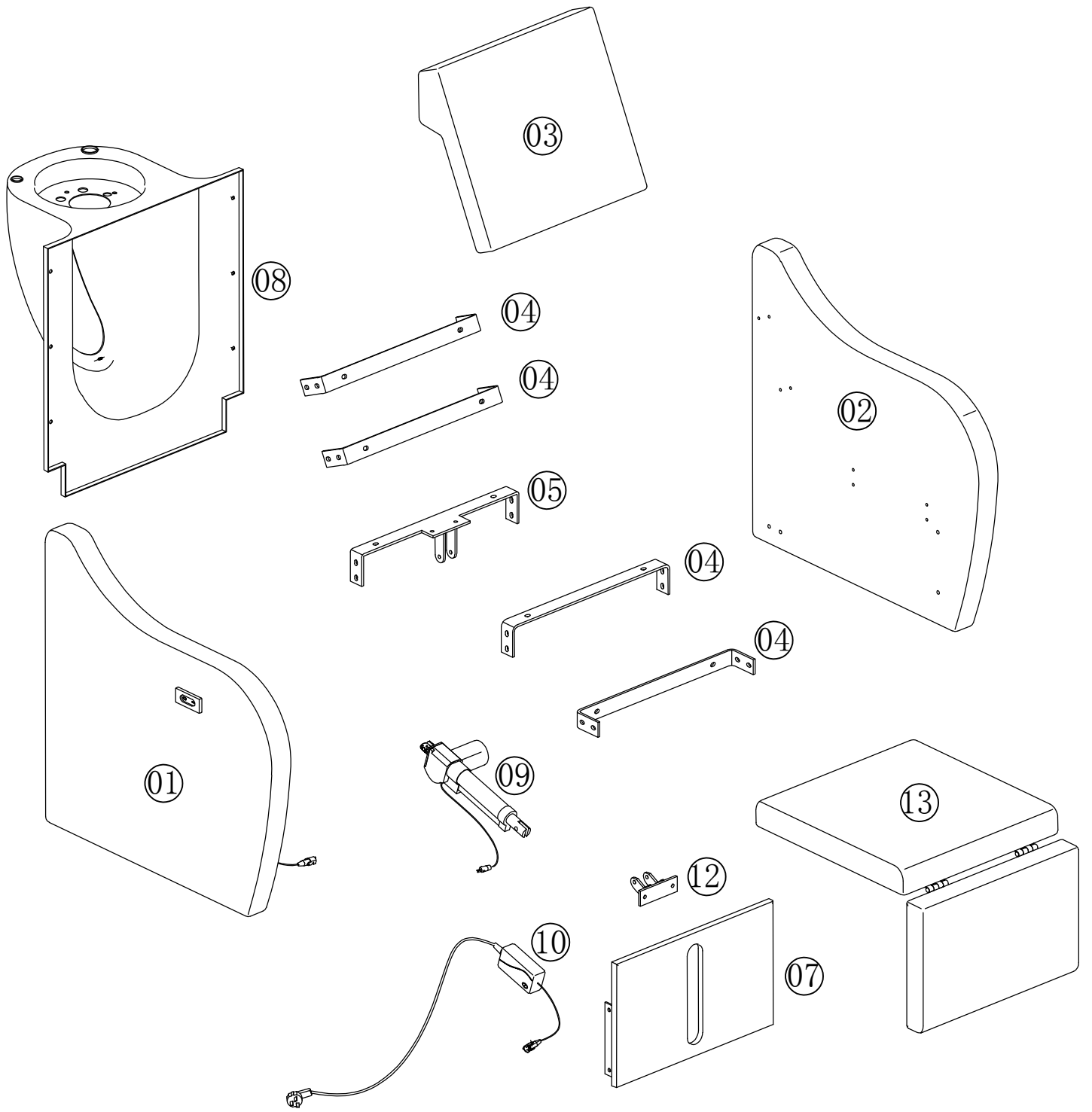
OmySalon shampoo chair

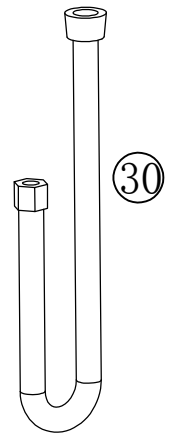
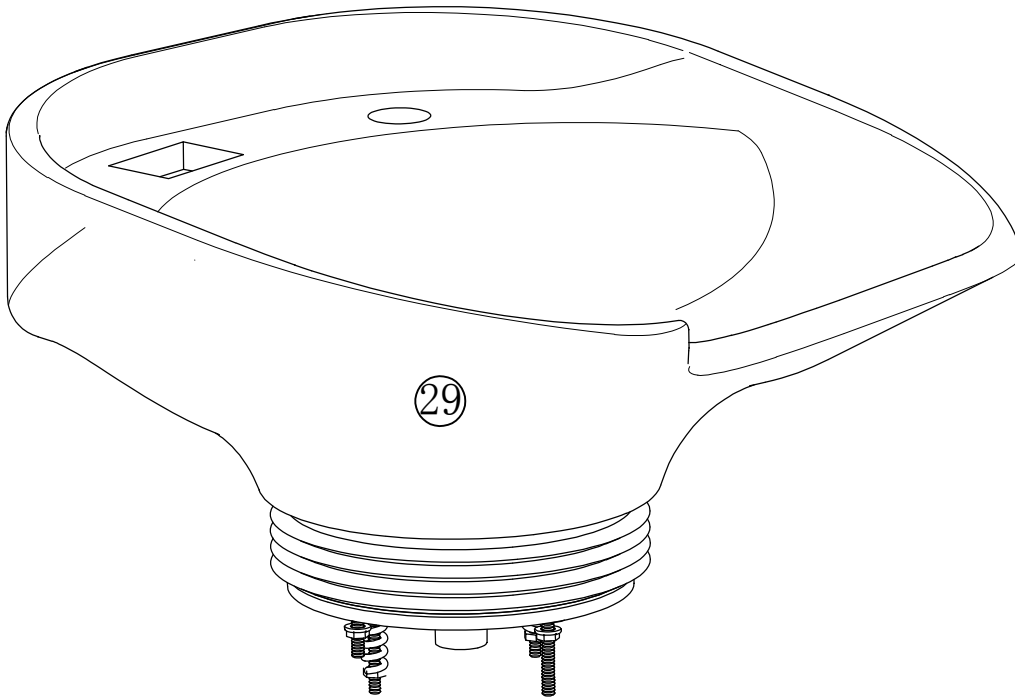
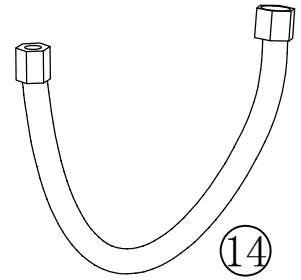
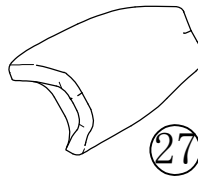
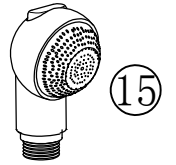
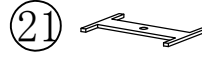
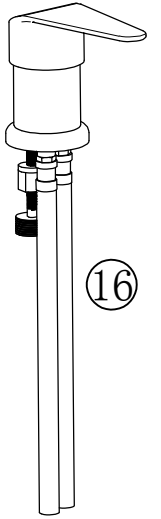
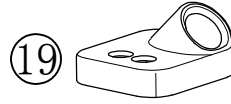
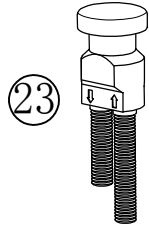
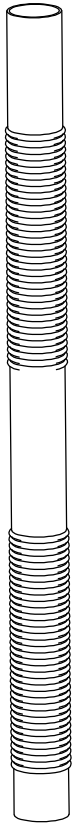
model :BU1211-B

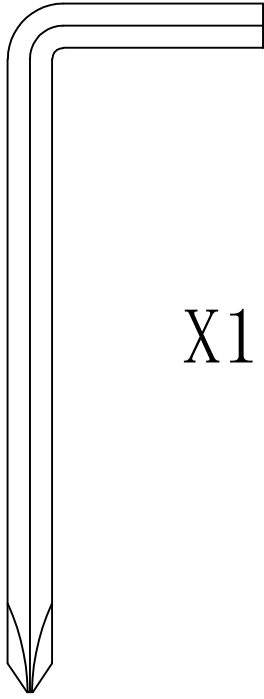


visit our website: [www.omysalon.com](http://www.omysalon.com)

For missing parts or questions: email us at [support@omysalon.com](mailto:support@omysalon.com)

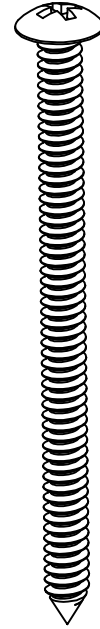






X1

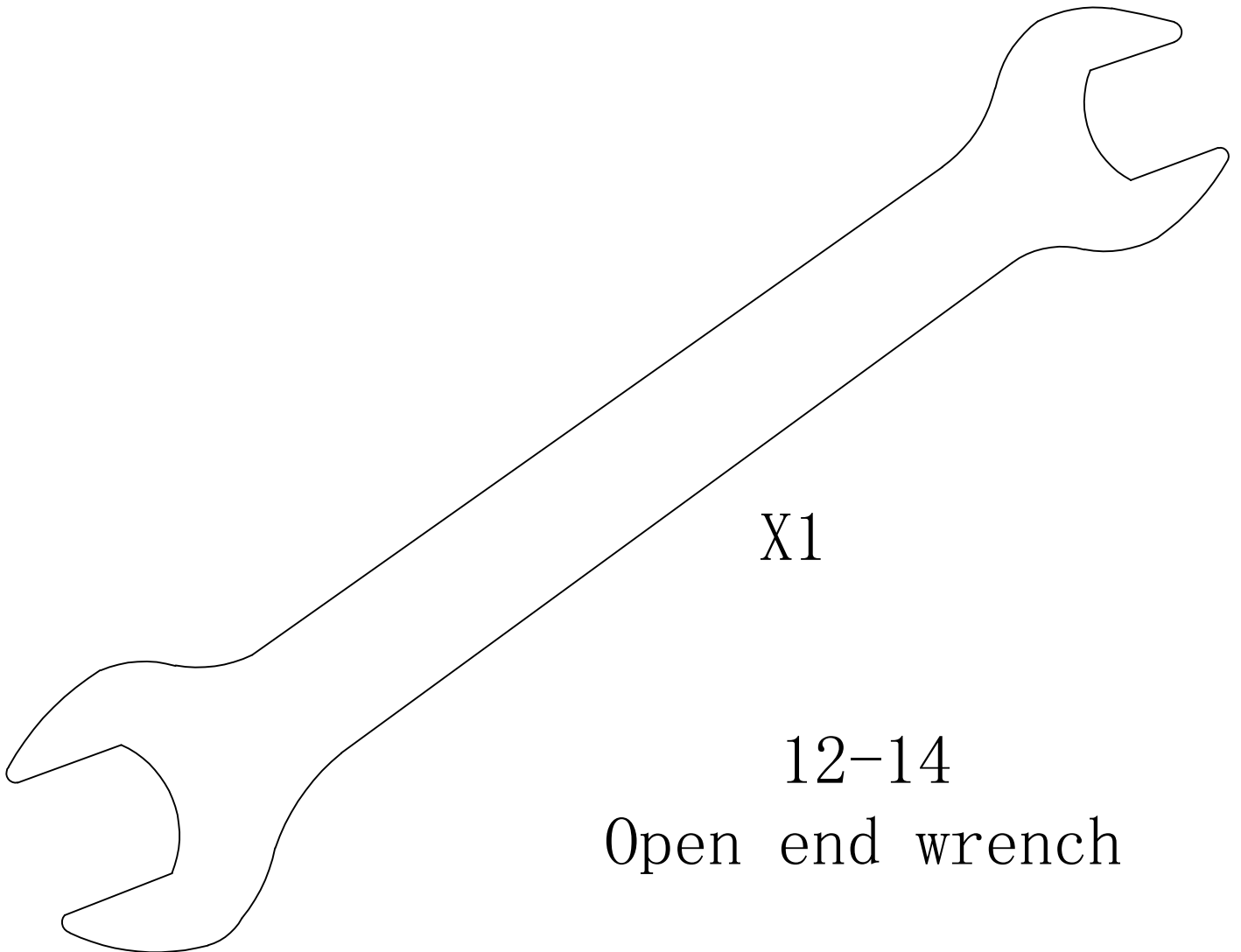
Hexagon wrench  
with cross



X6

$\phi 5 \times 60$

Self tapping screw



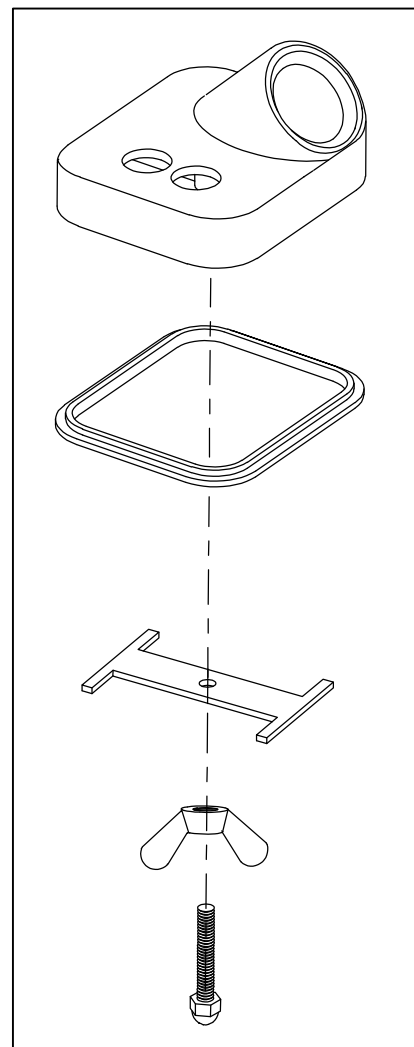
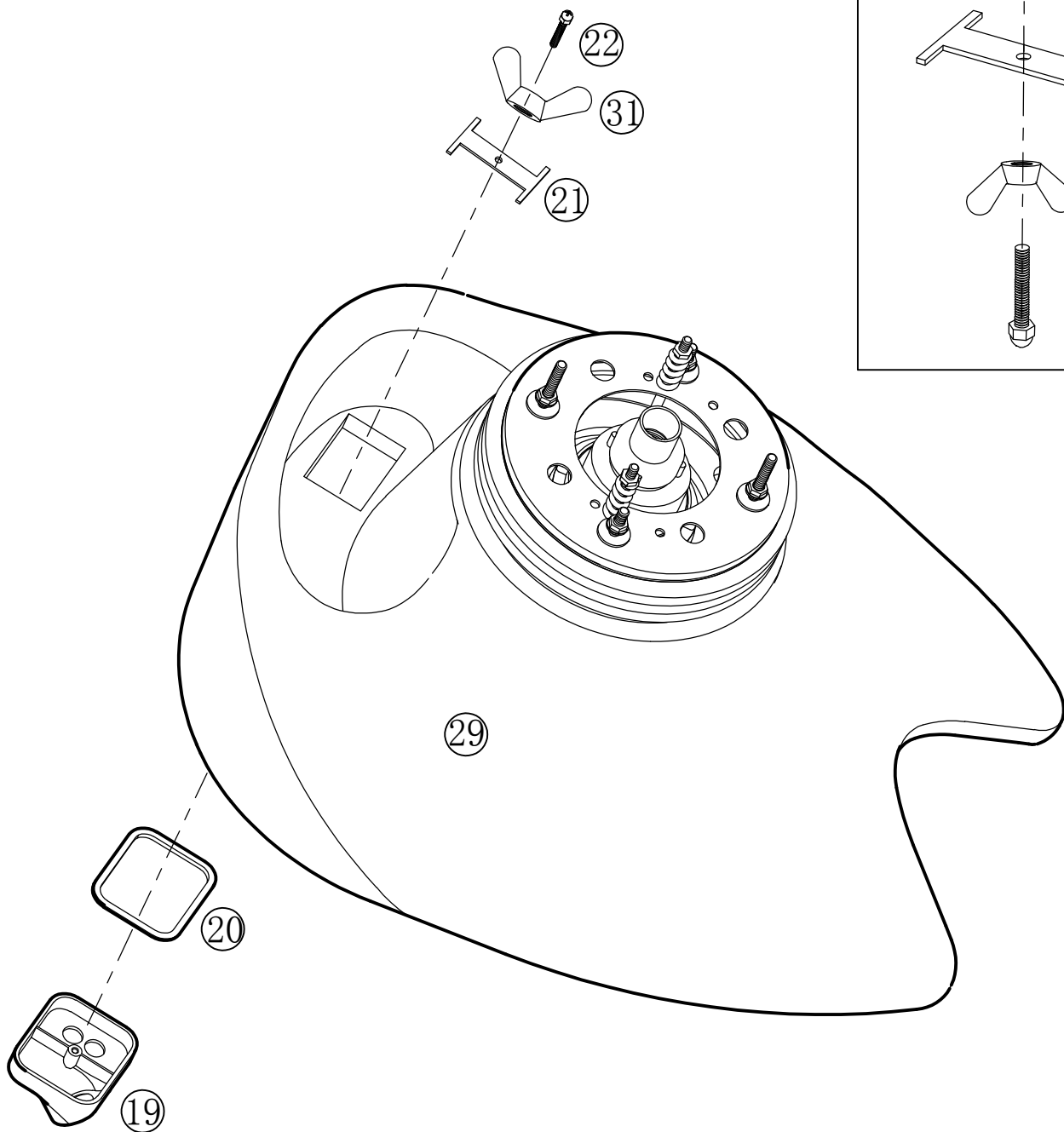
X1

12-14

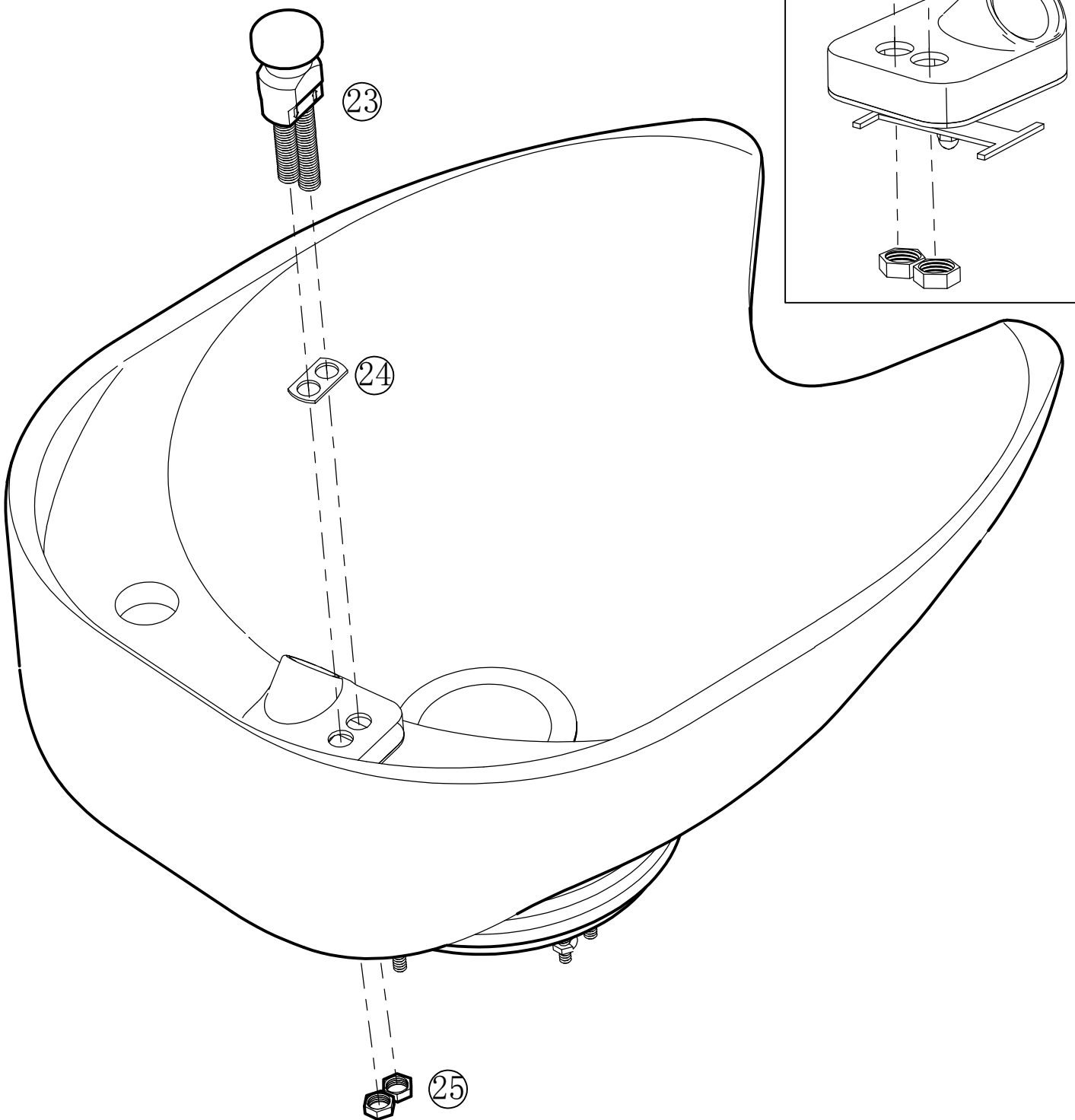
Open end wrench

# 1

tighten the butterfly nut



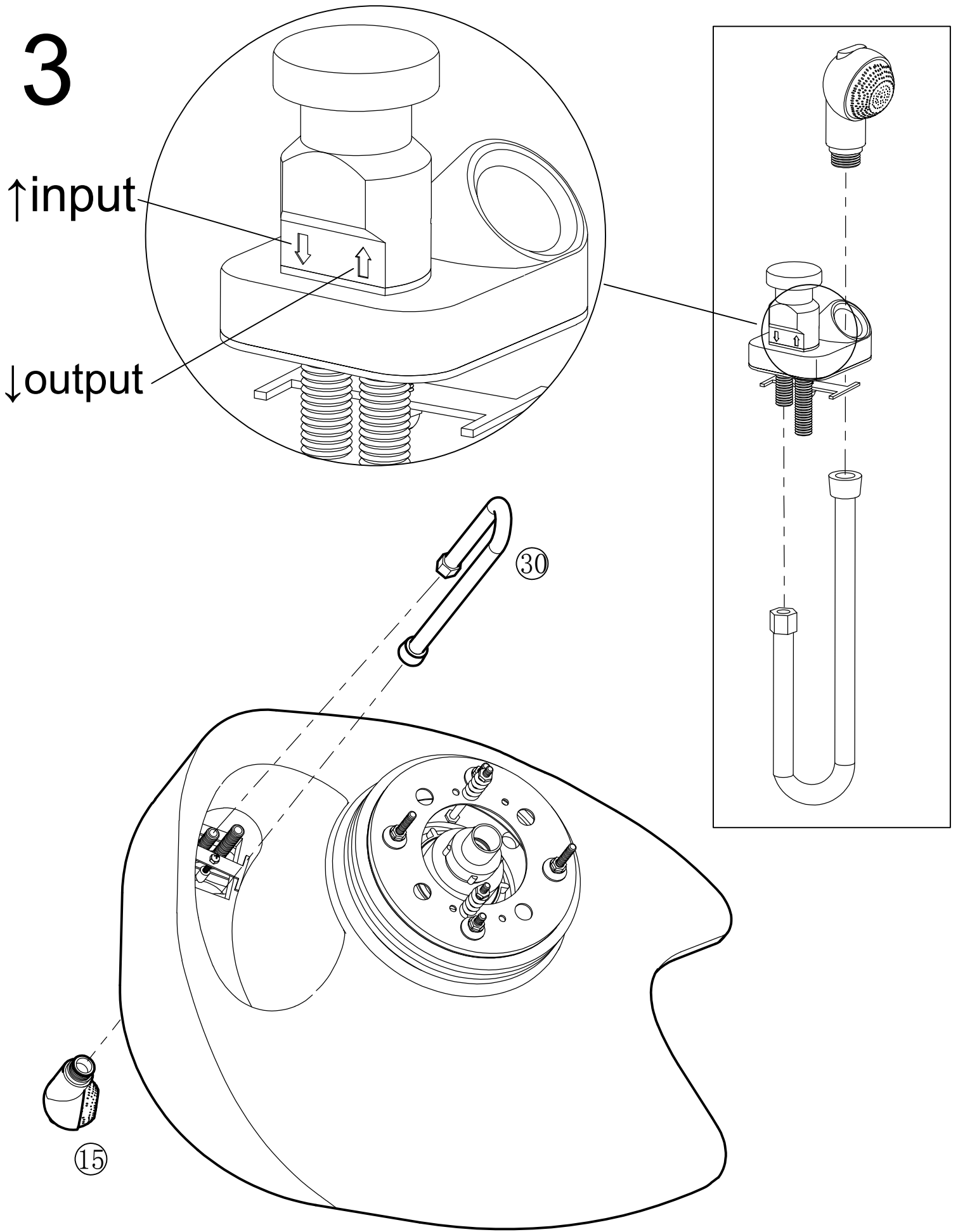
2



# 3

↑input

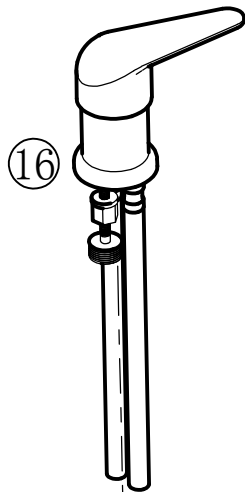
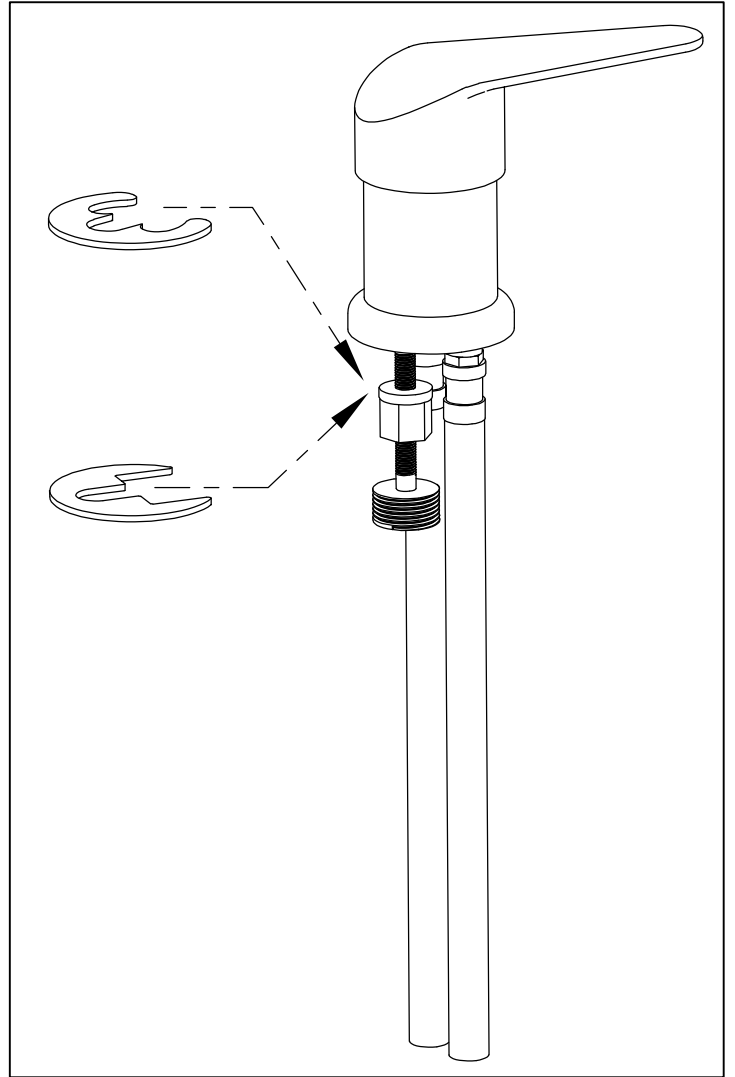
↓output



connect to the shorter

4

the two gaskets  
are a t the back



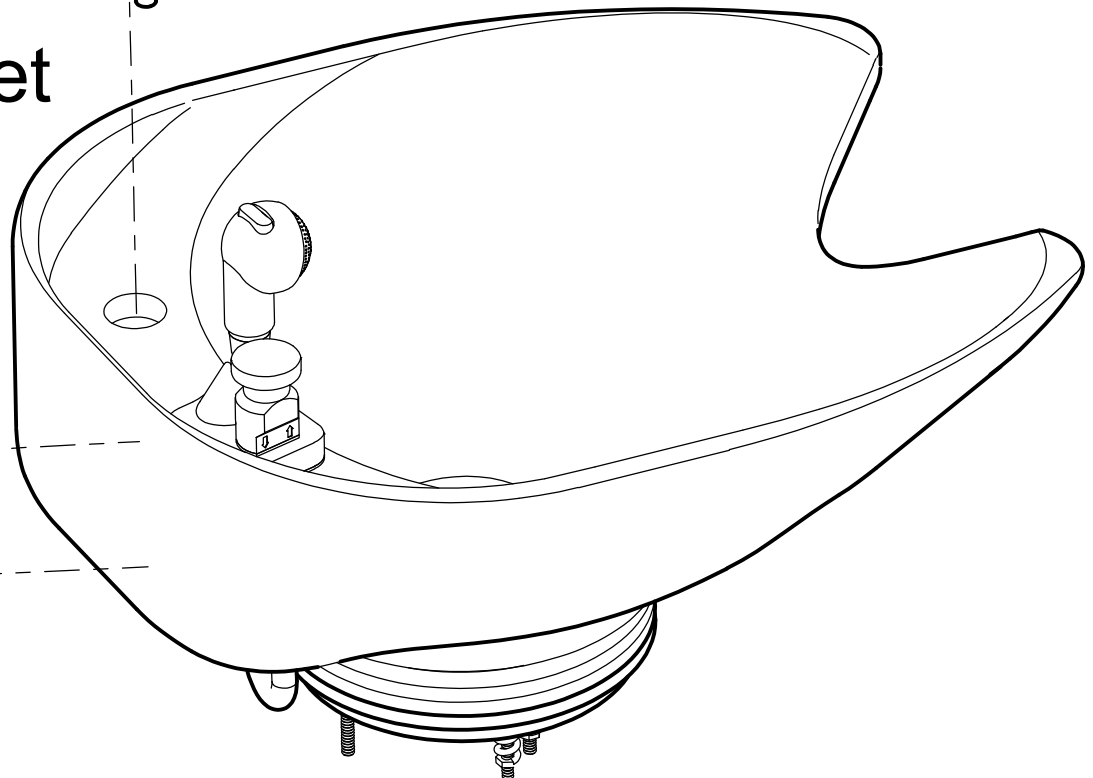
plastic gasket

17



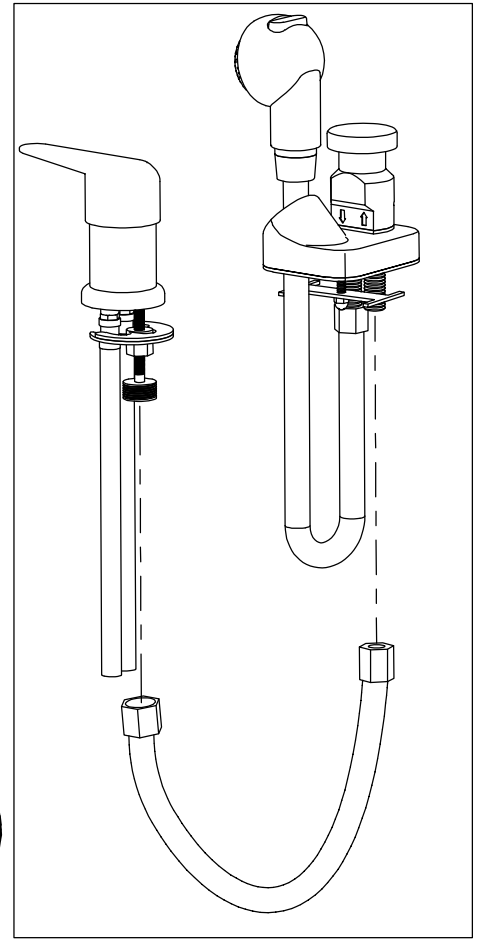
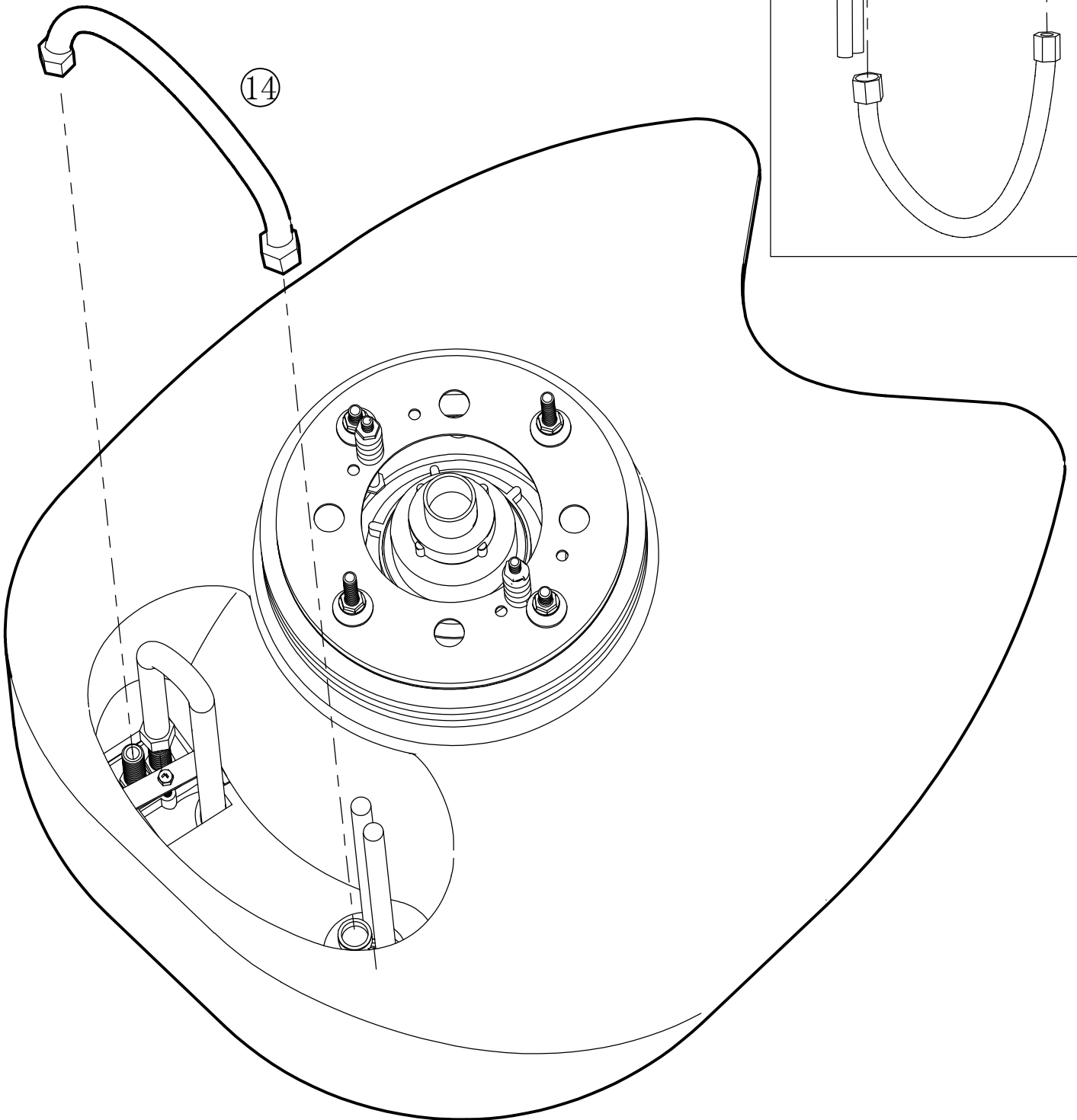
18

iron gasket

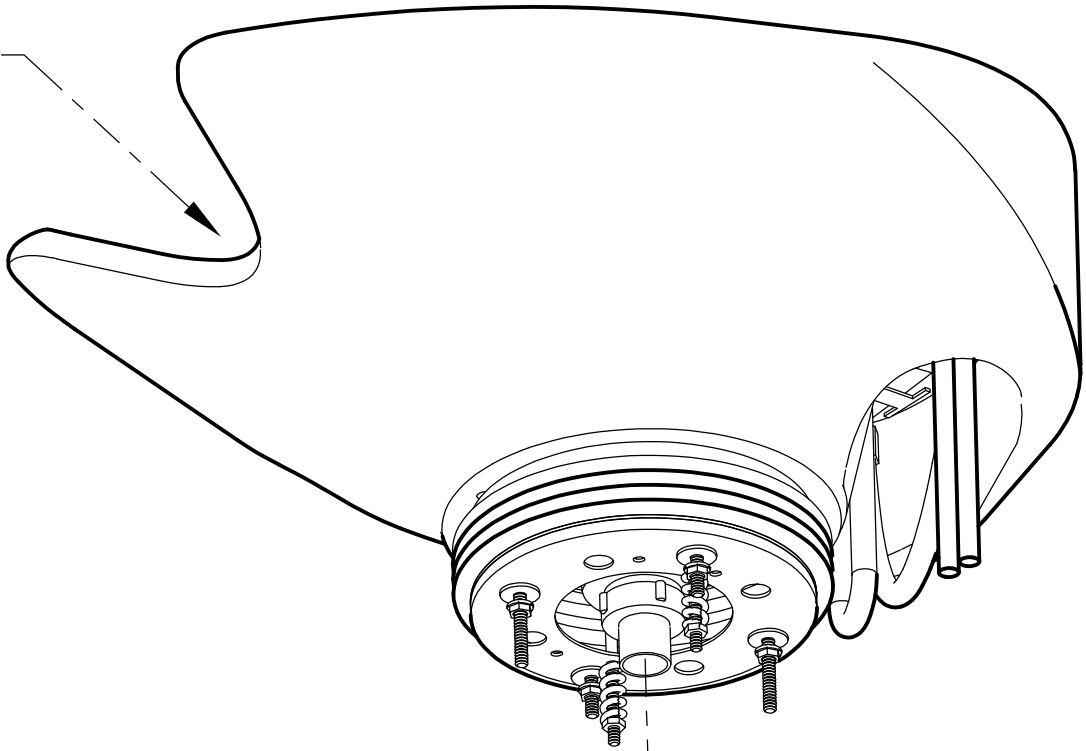
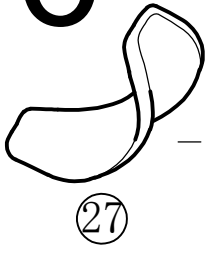




# 5



6



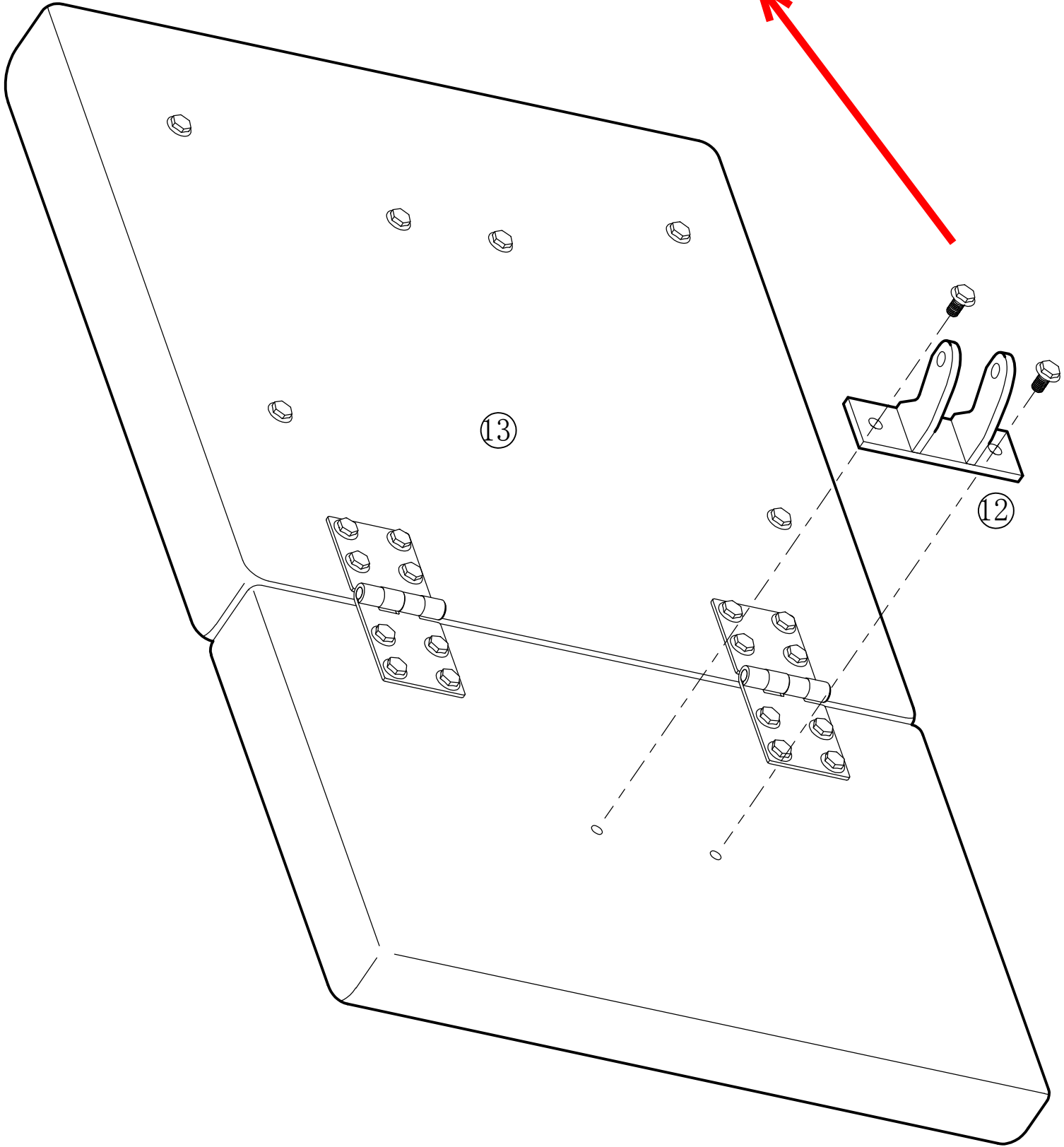
26



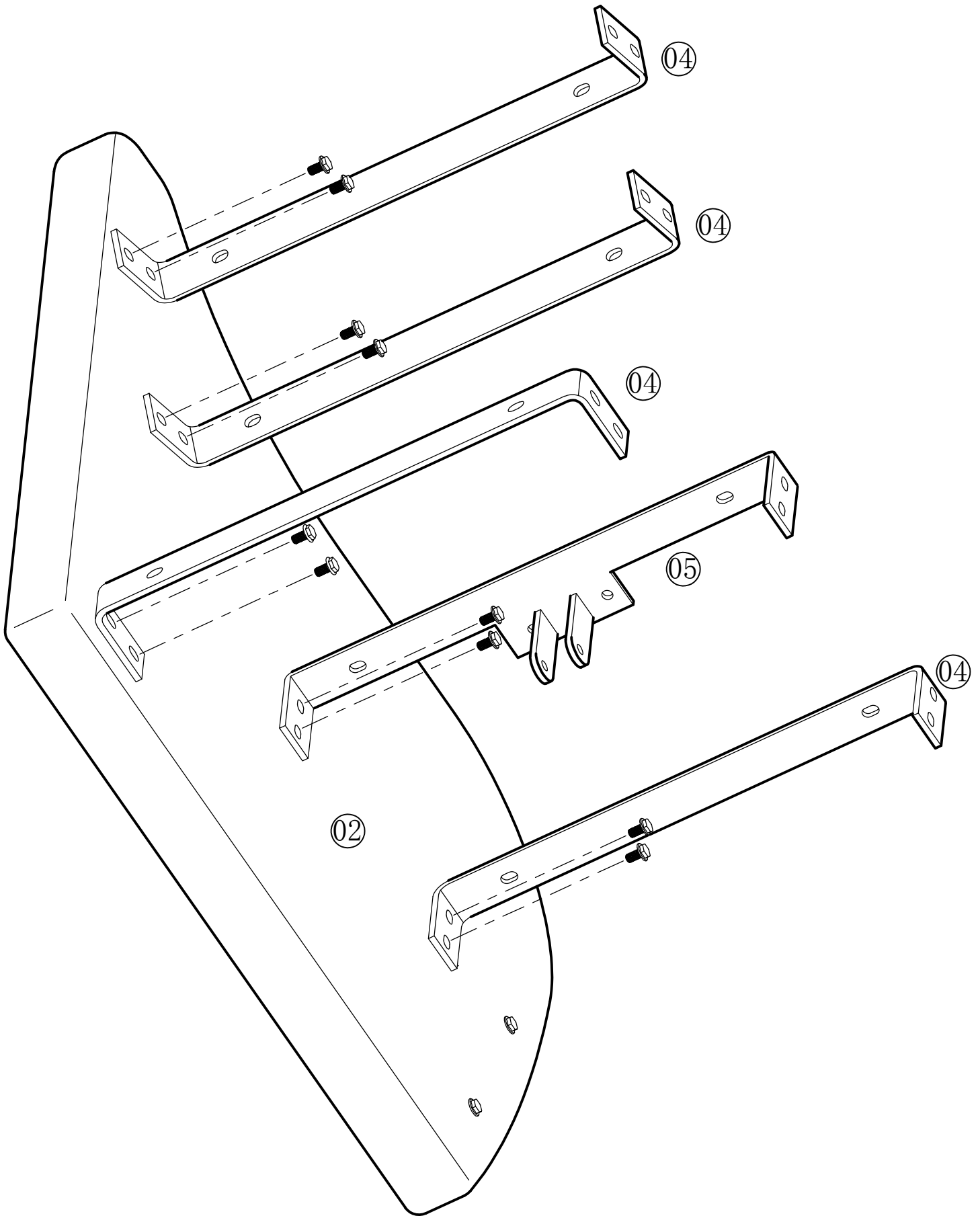
28

7

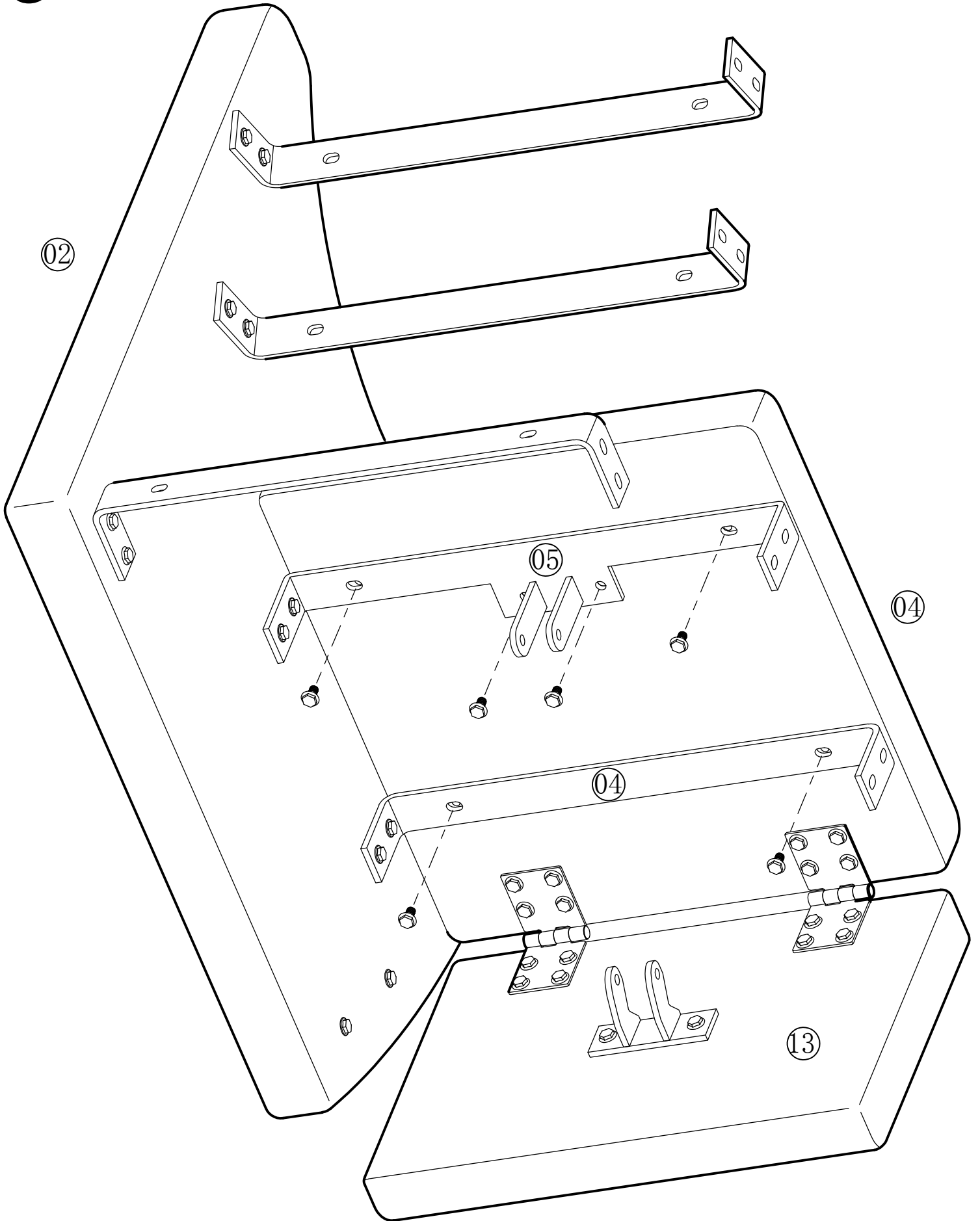
the bolts are pre-installed,  
screw out first ,please note  
the direction



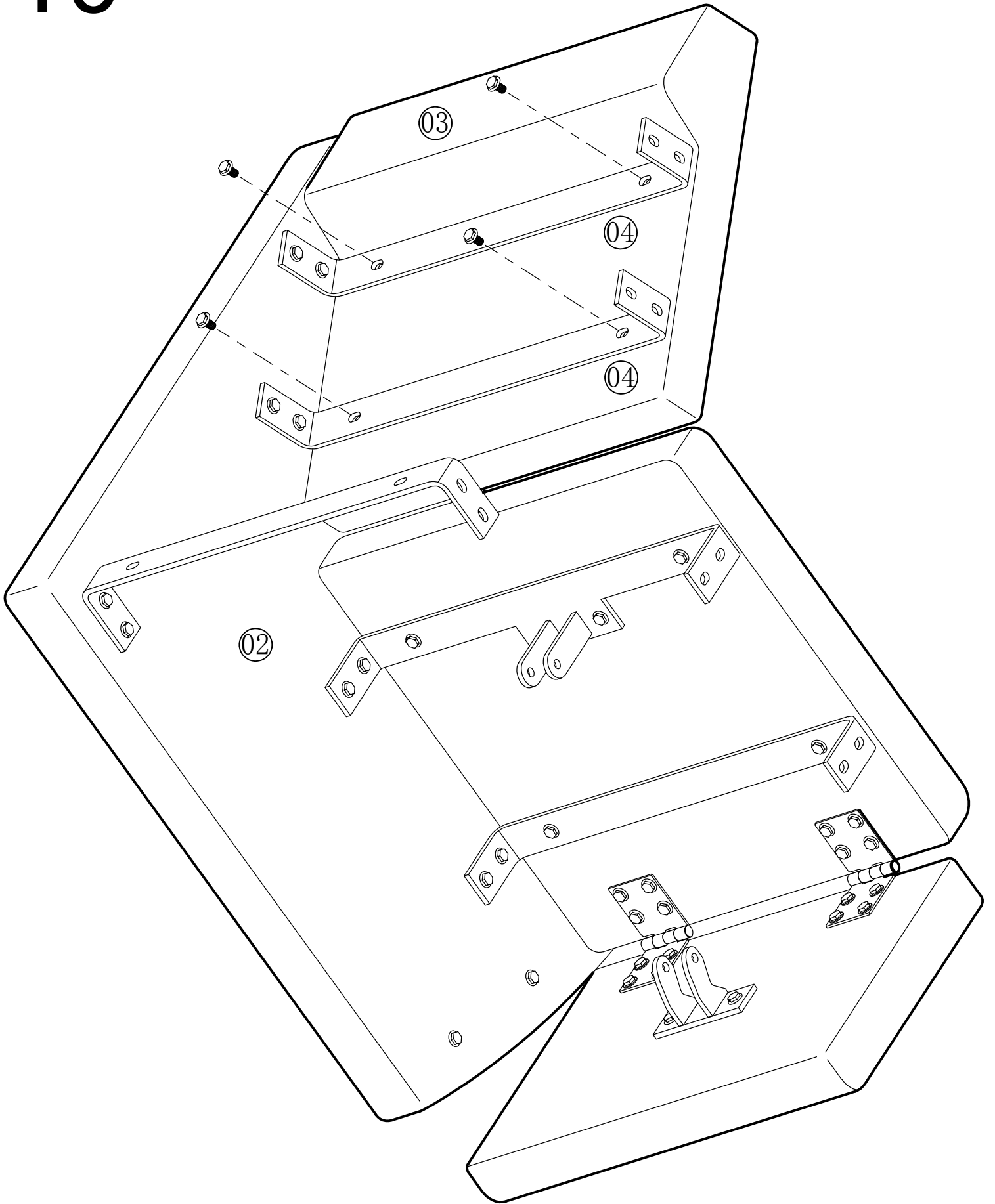
# 8



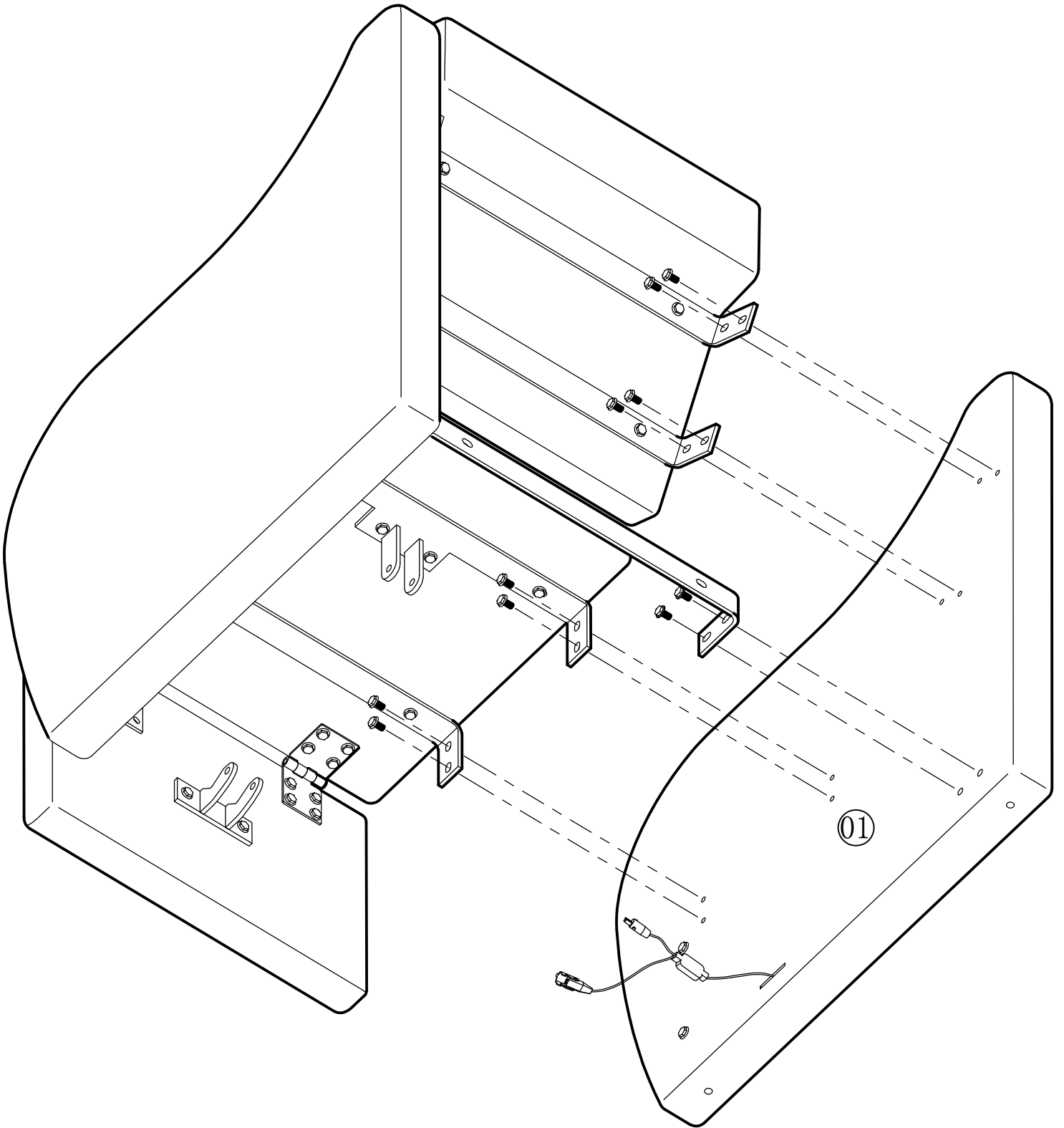
9



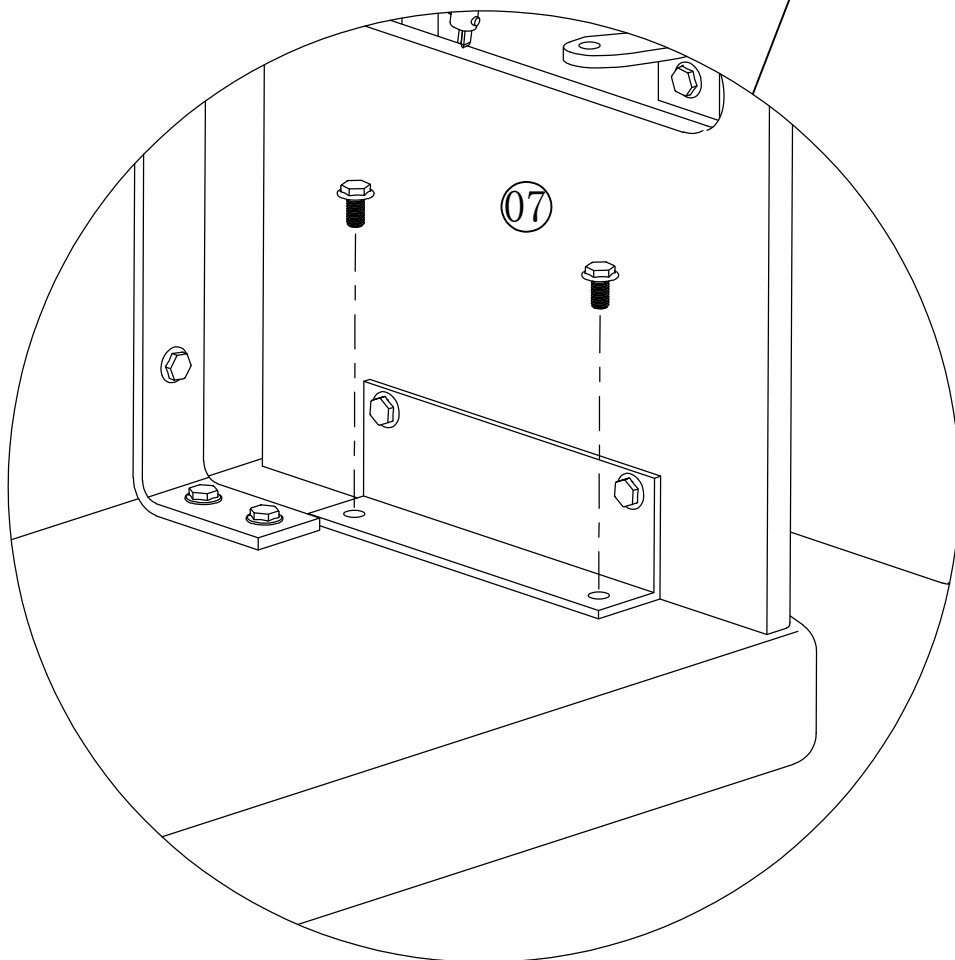
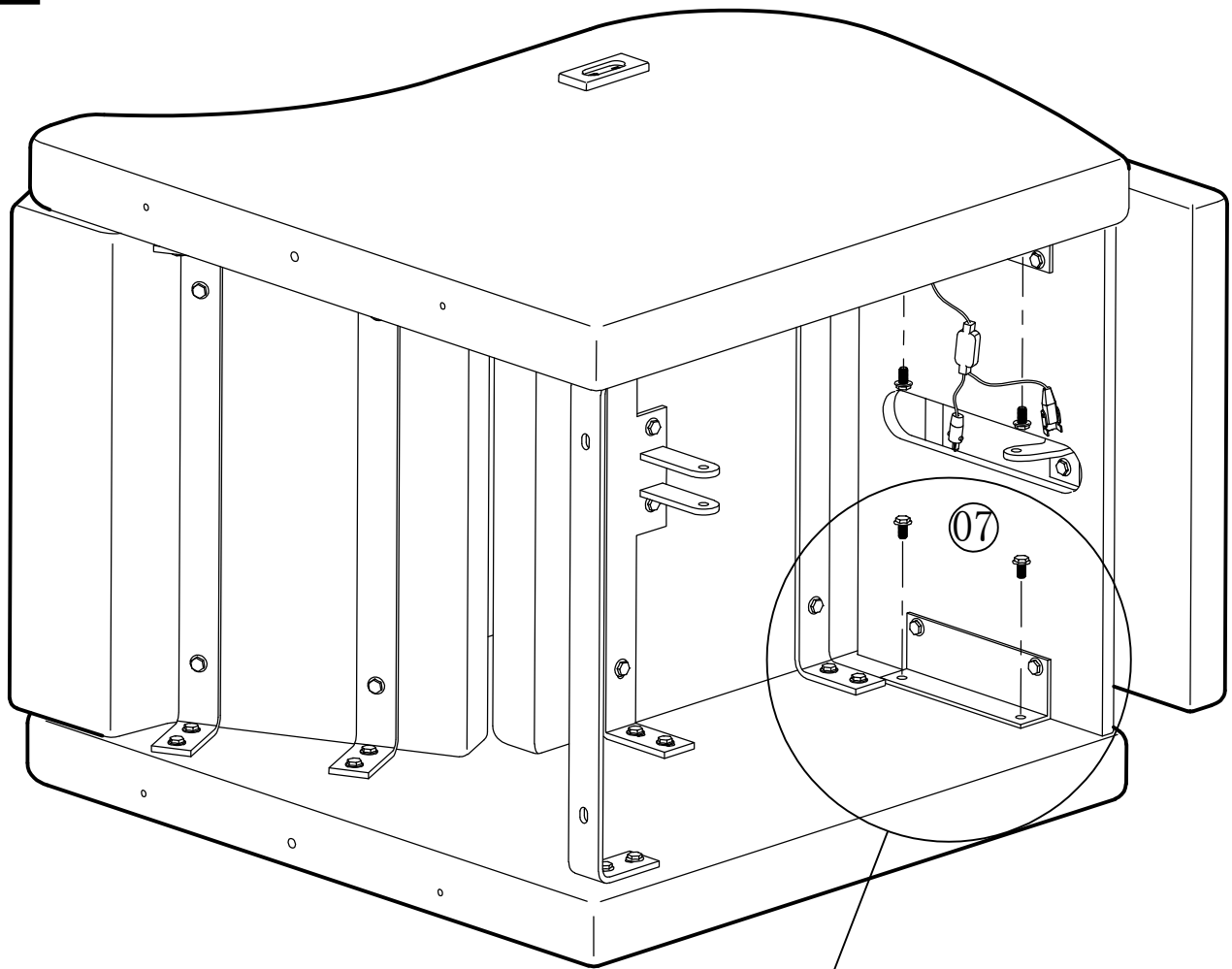
# 10



# 11

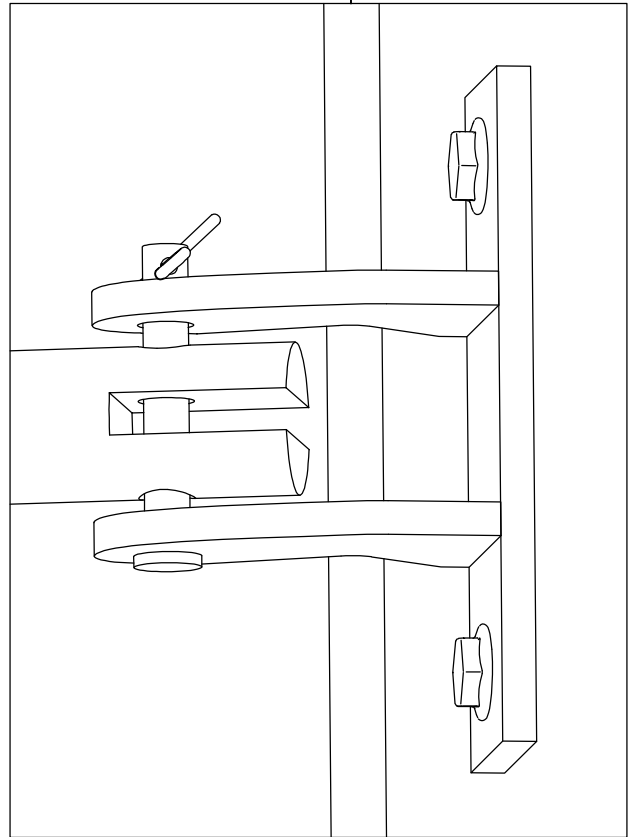
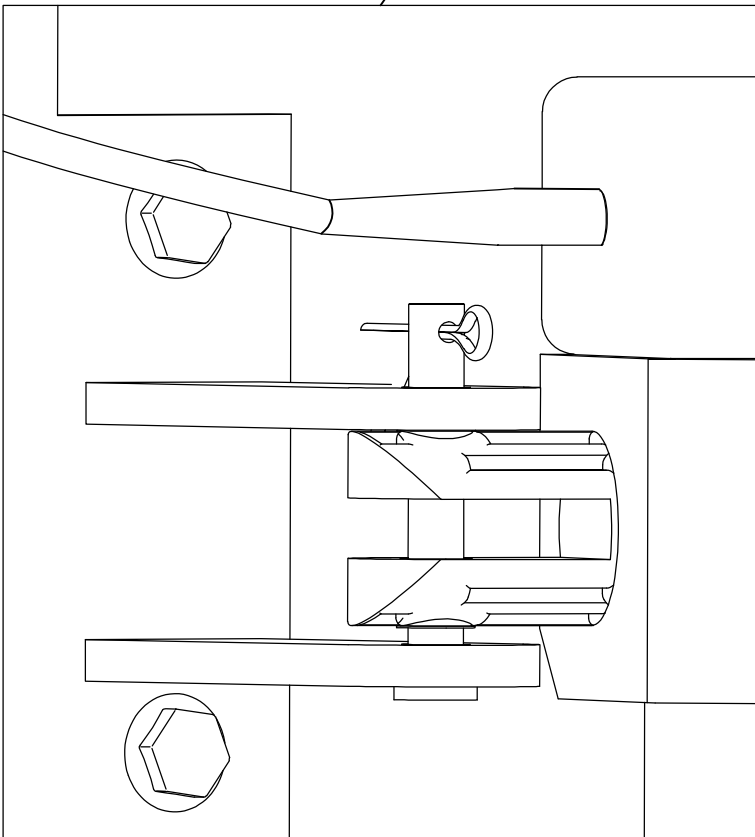
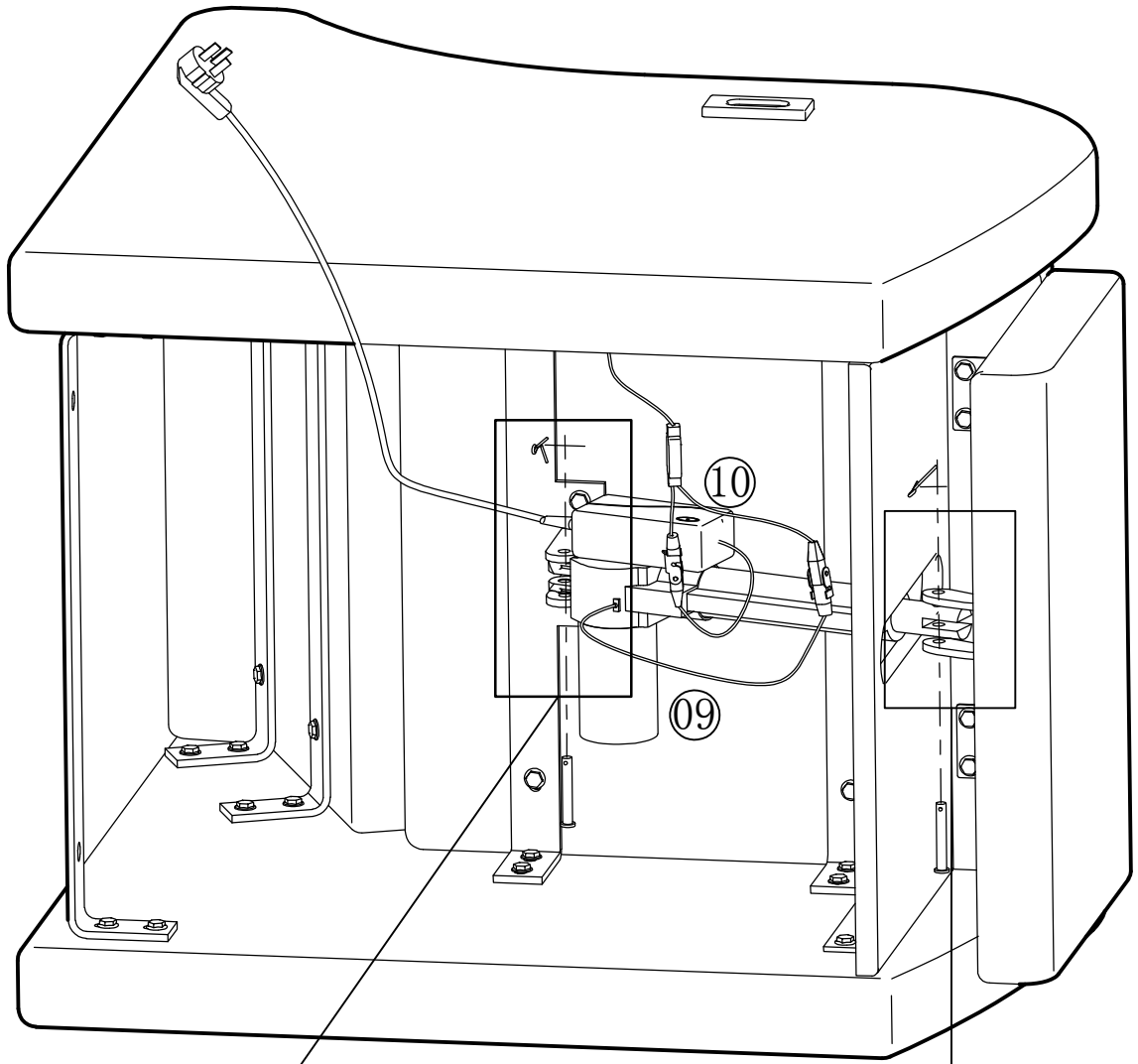


# 12

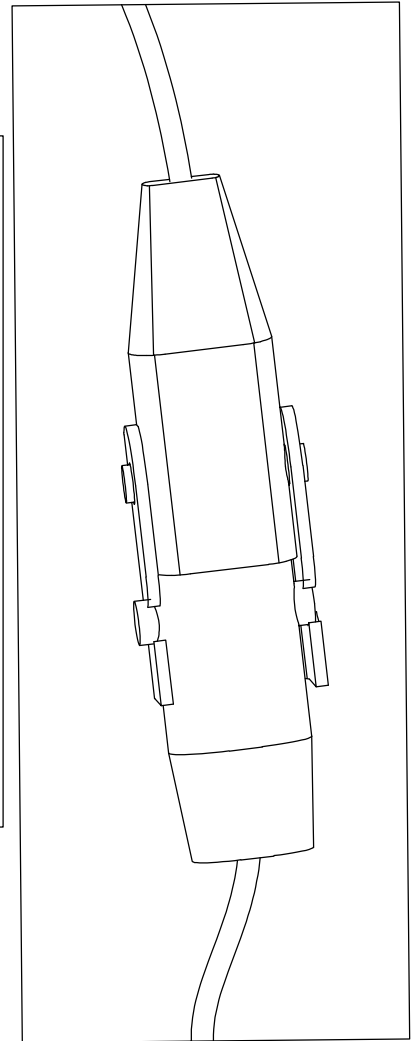
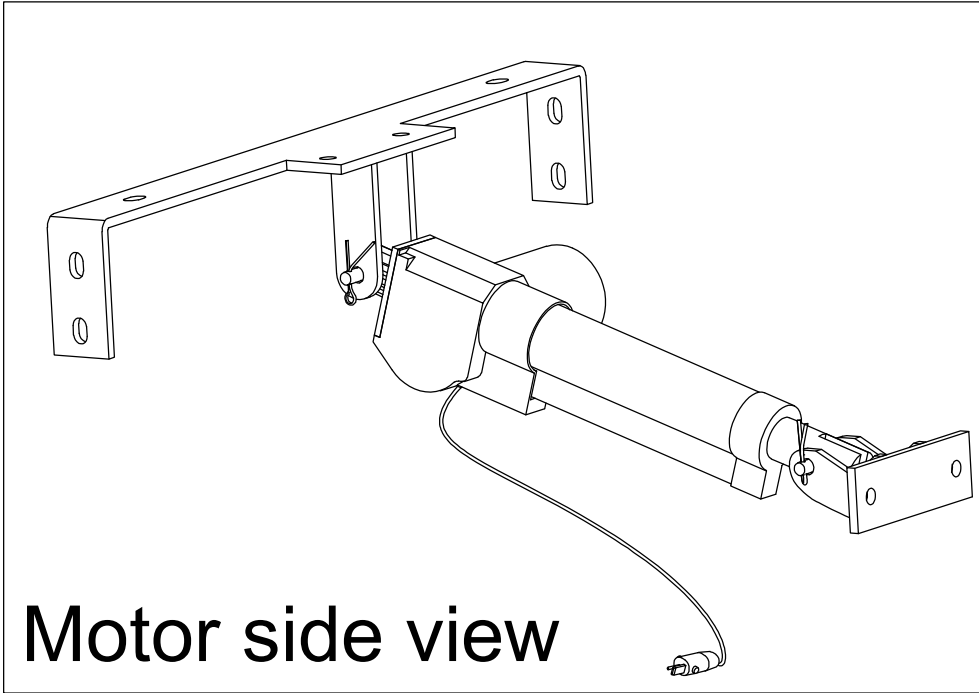




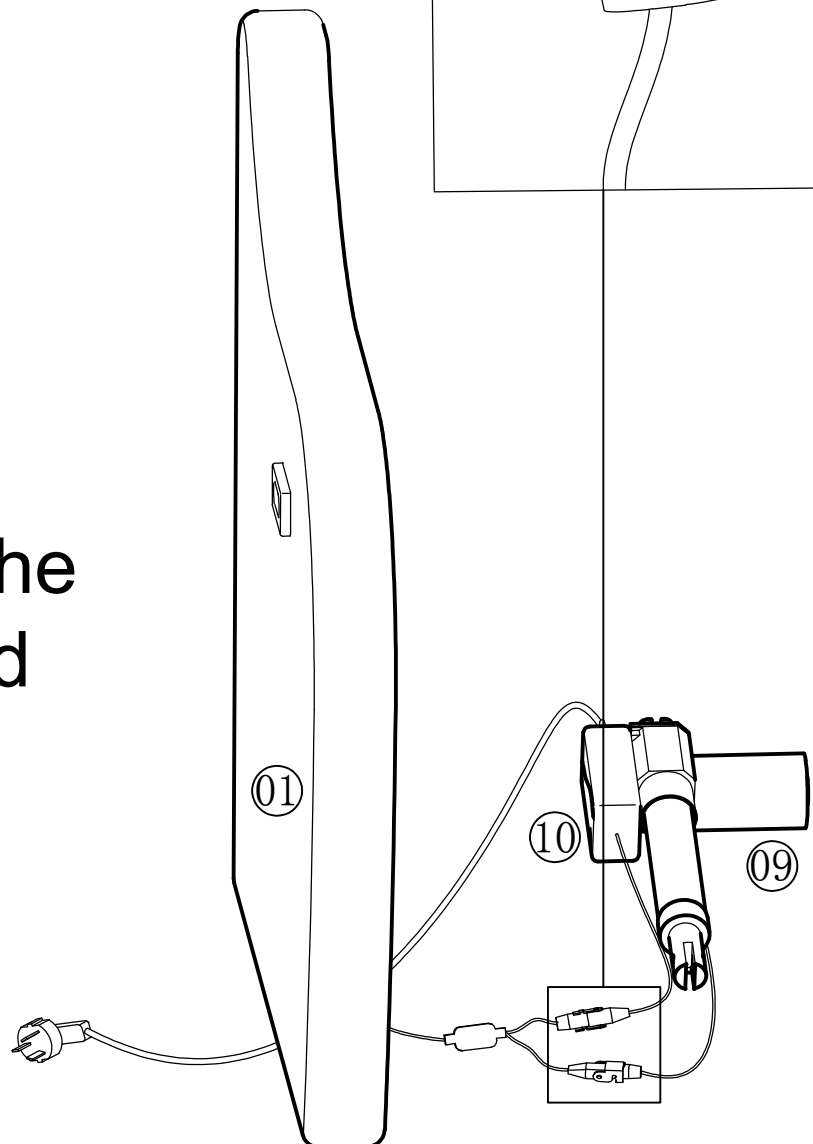
# 13



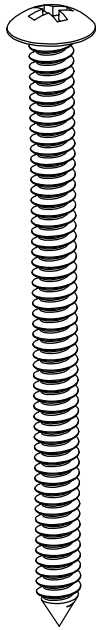
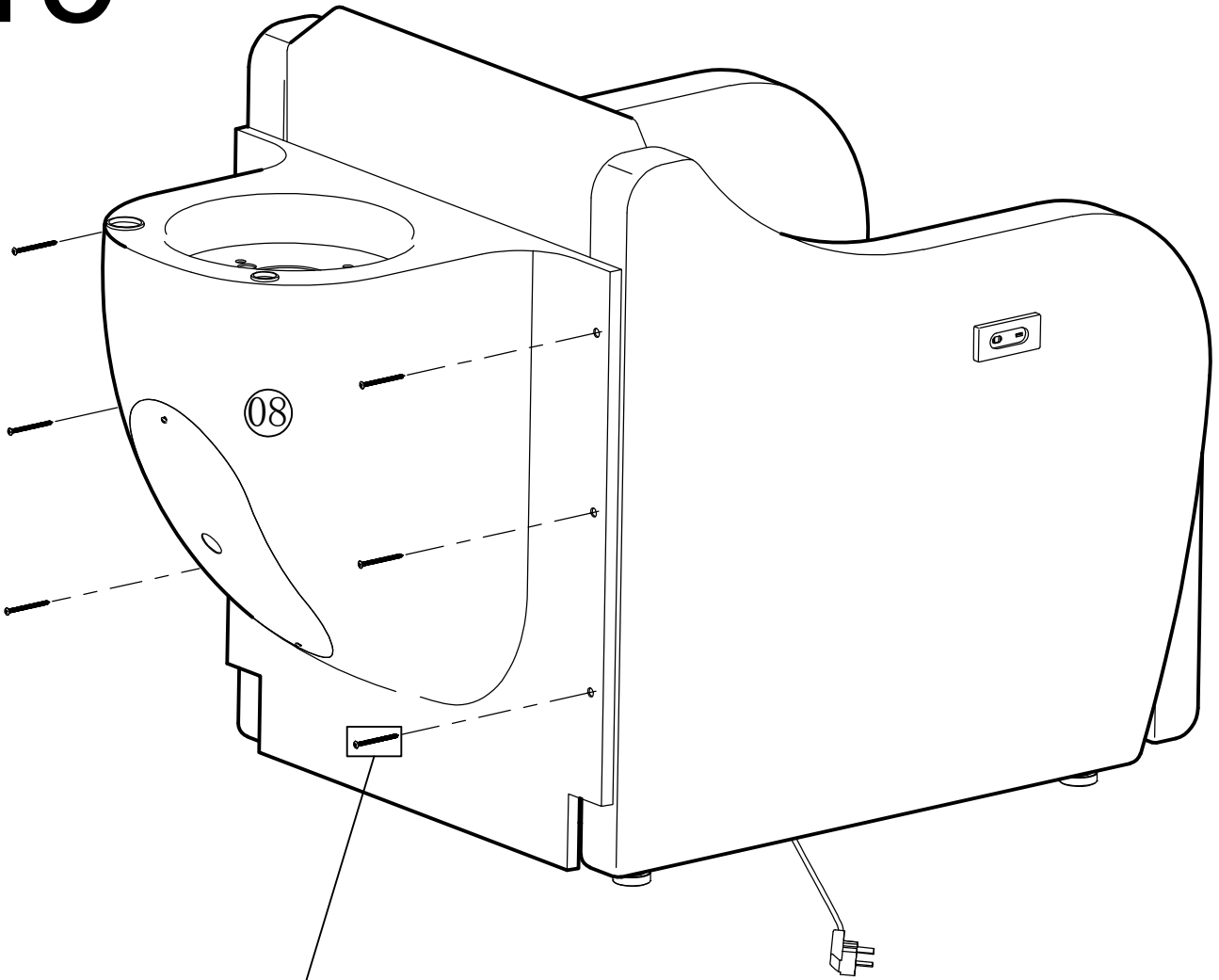
# 14



Note: Pull out the interface placed in the hole



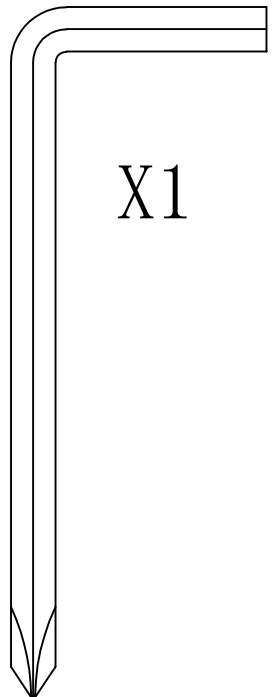
# 15



X6

Ø5X60

Self tapping screw

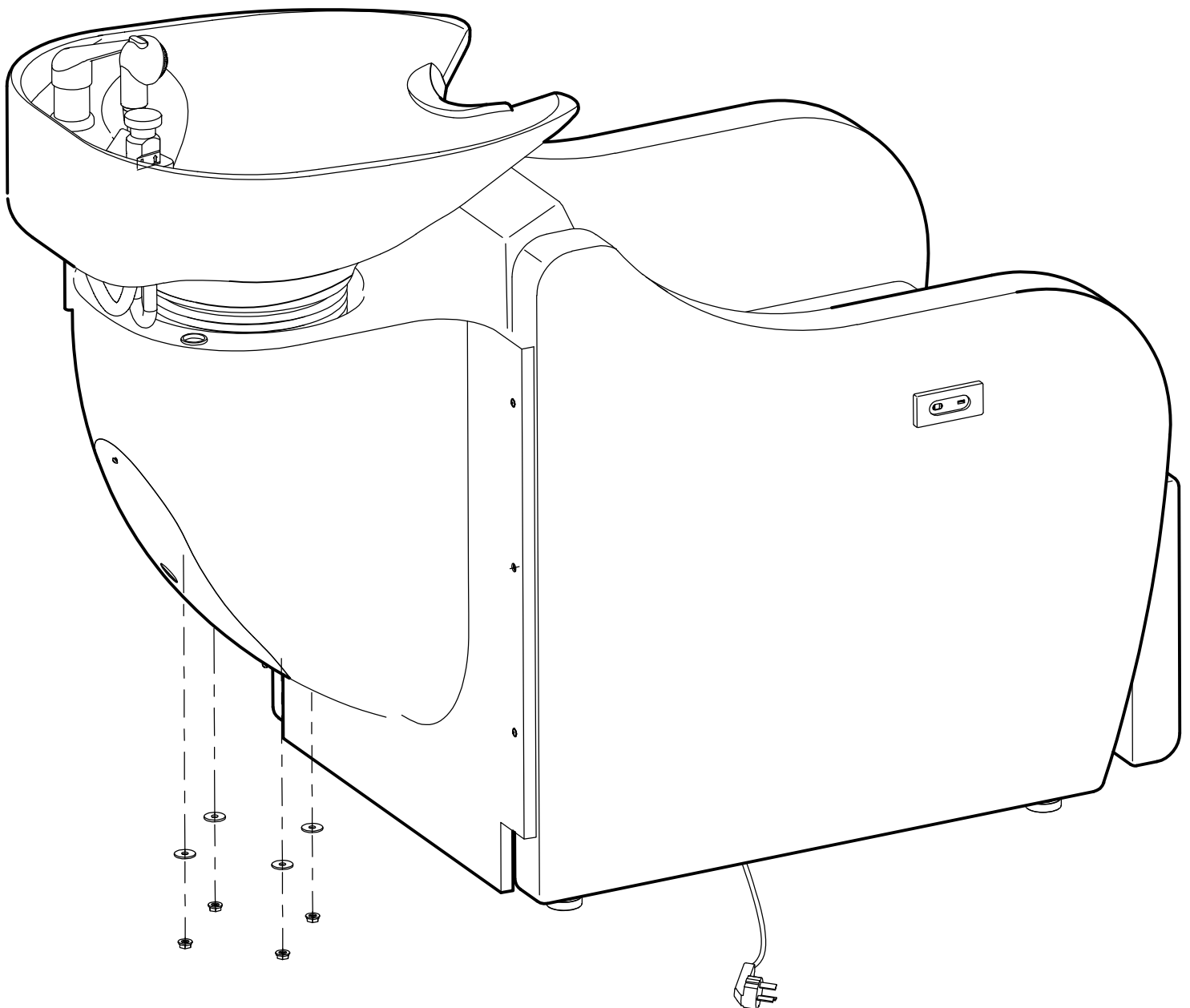


X1

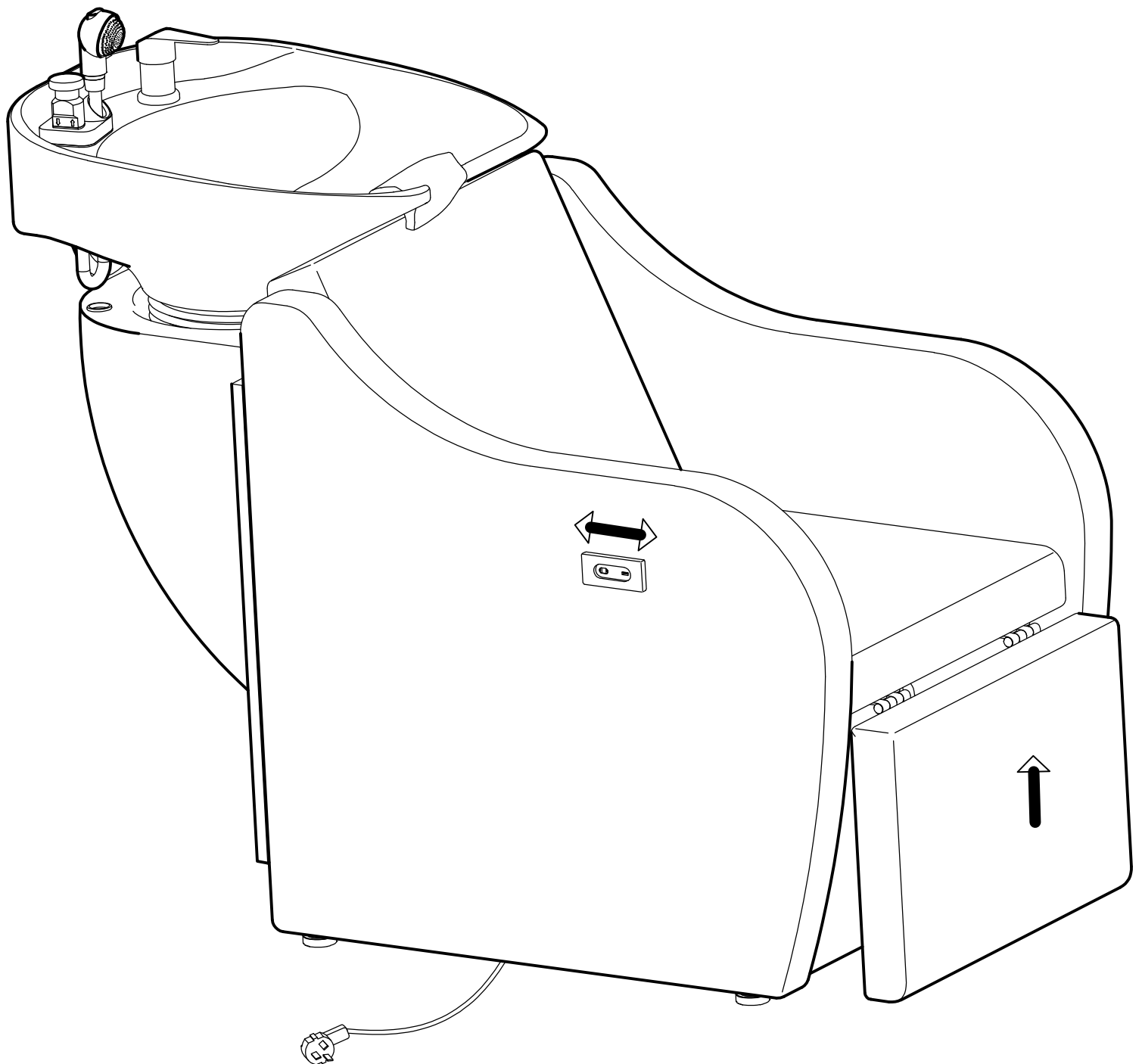
Hexagon wrench  
with cross

# 16

screw out the  
bolts and nut



# 17



Press the switch to adjust leg rest