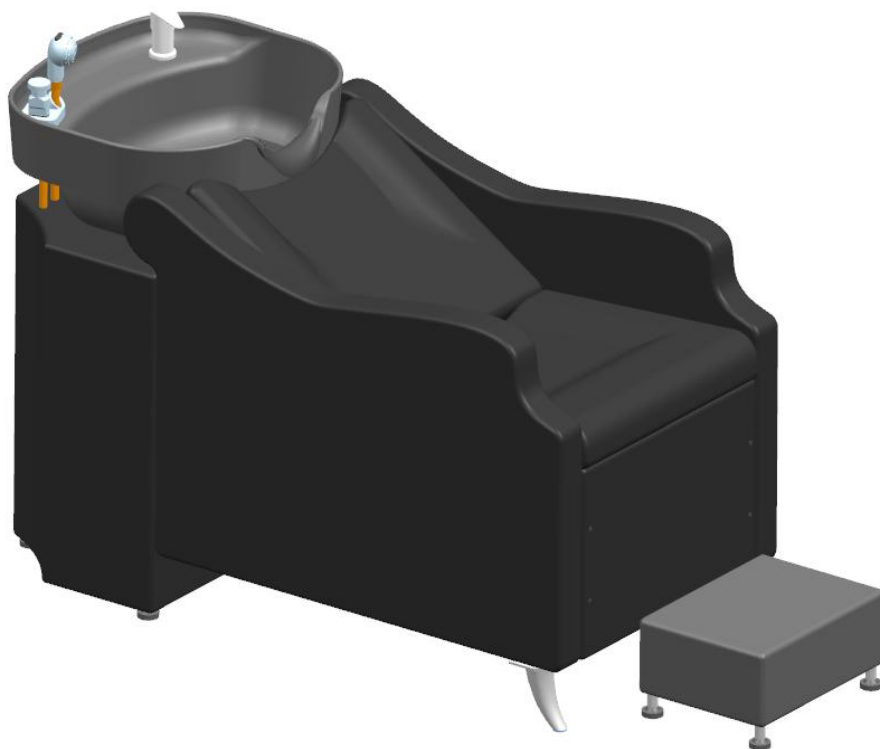


# OmySalon

OmySalon shampoo chair  
model :BU1301-B

---



visit our website : [www.omysalon.com](http://www.omysalon.com)

For missing parts or questions : email us at [support@omysalon.com](mailto:support@omysalon.com)

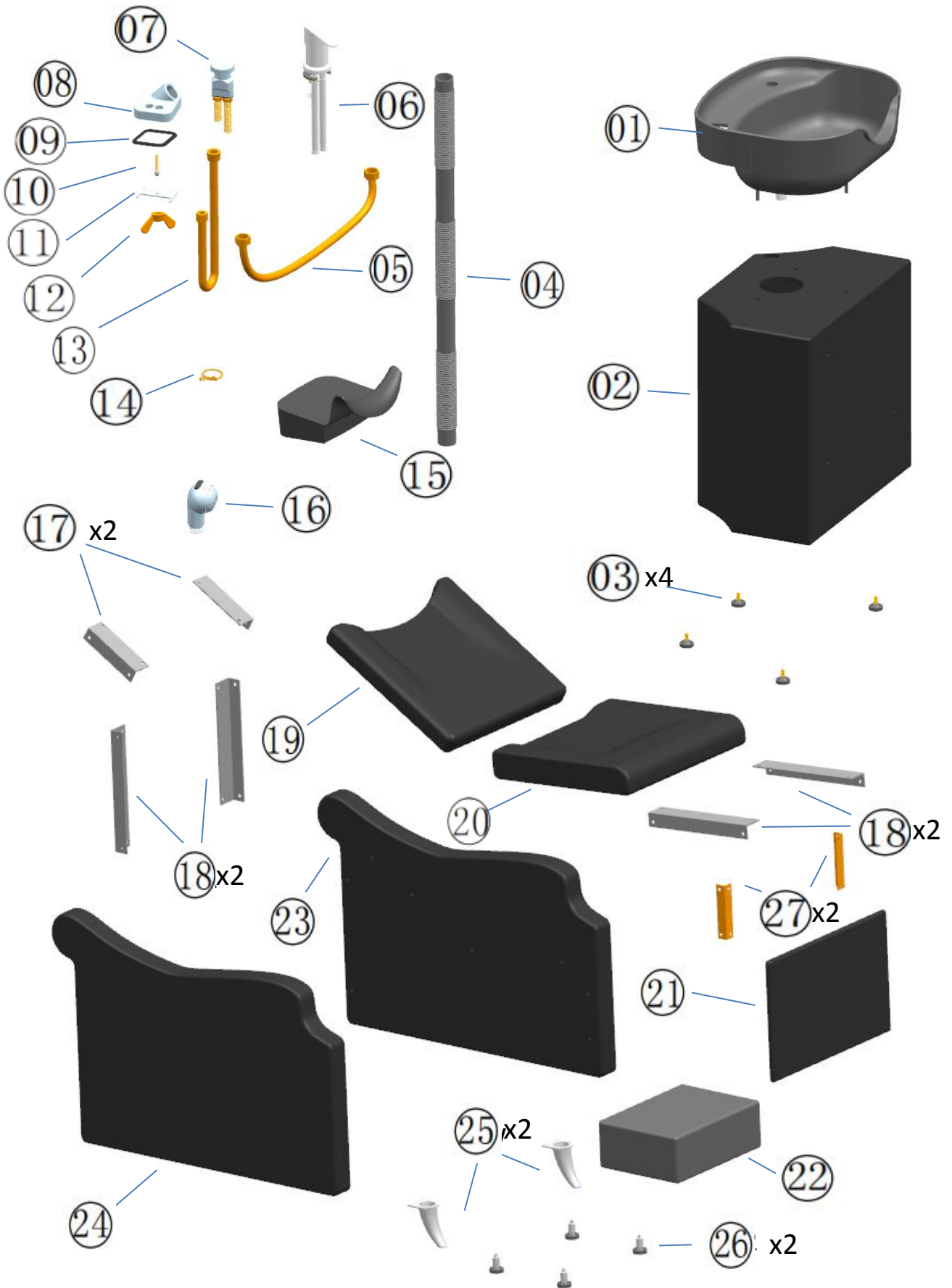
## SAFETY

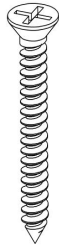


To reduce risk of injury when assembling & using the chair, follow these precautions:

- Read all of these instructions before assembling and using your salon chair.
- It is helpful to have 2 people assemble and turn the chair upright after assembling.
- Do not over-extend the chair(0~150kg), creating the risk of falls or tipping the chair, and its occupant over, resulting in injury

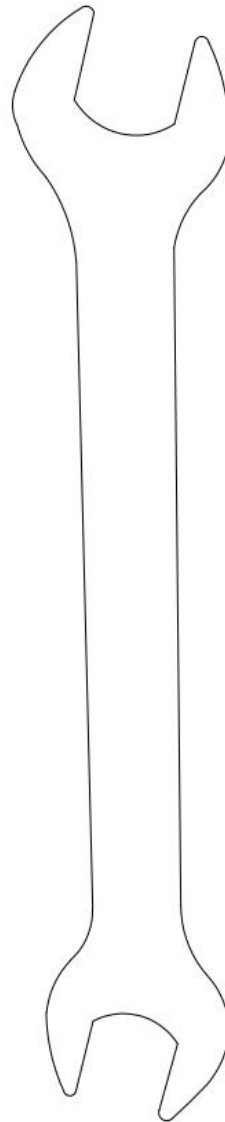
# PARTS & FEATURES





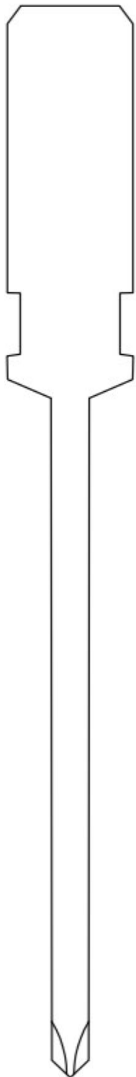
**X10**

Ø5X35  
Self tapping screw



**x1**

12-14 Open end wrench



**x1**

cross screwdriver

# INSTALLATION INSTRUCTION

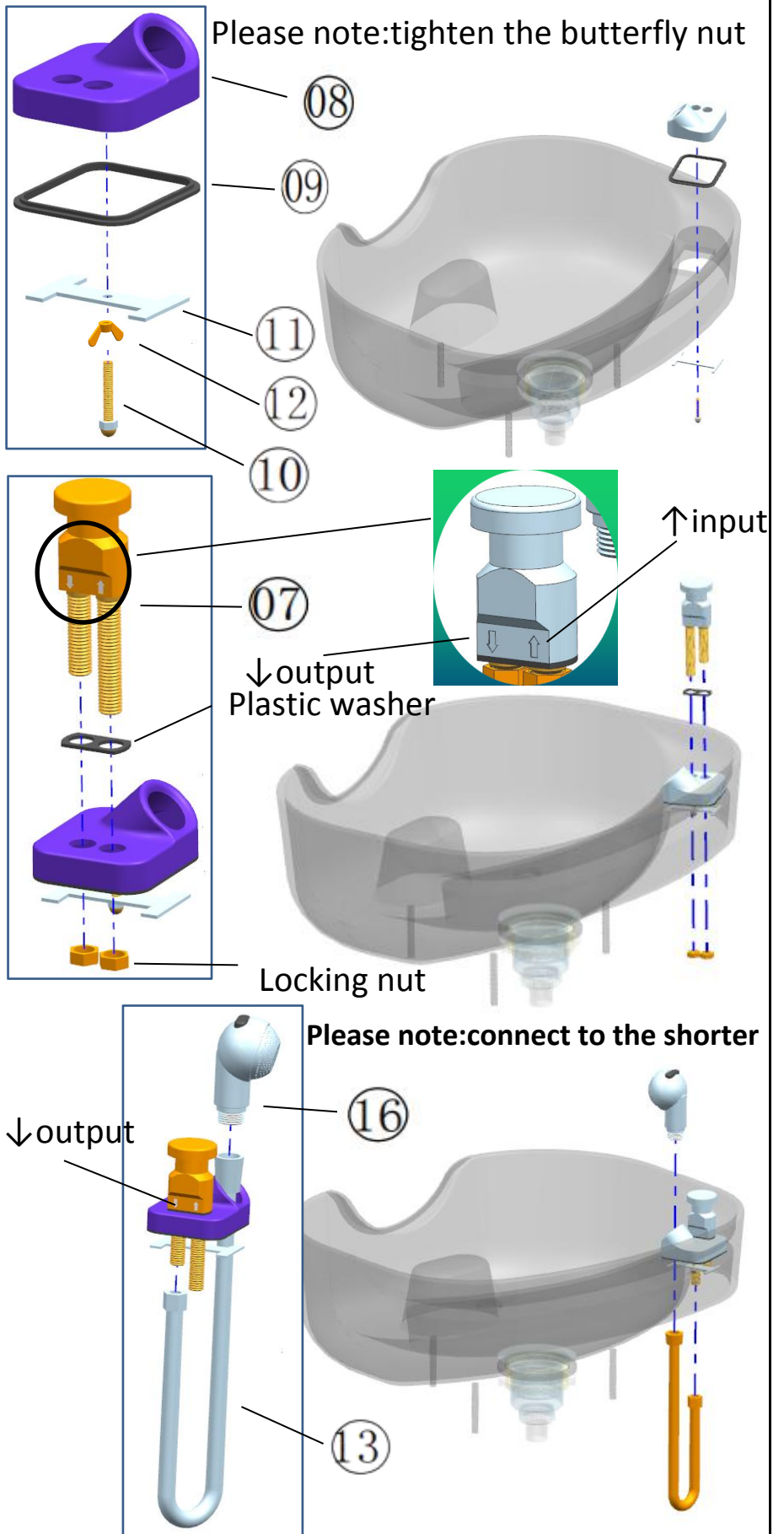
First: Install the basin  
(1)

Step 1: Install the base

Step 2: Install the check valve

Step 3: Install the shower

Please follow the chart next to it



**Second : Install the basin(2)**

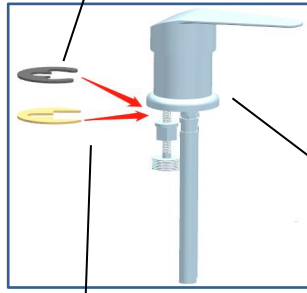
Step 1: Install a faucet on the basin

Step 2: Connect the switch and check valve with the connecting pipe

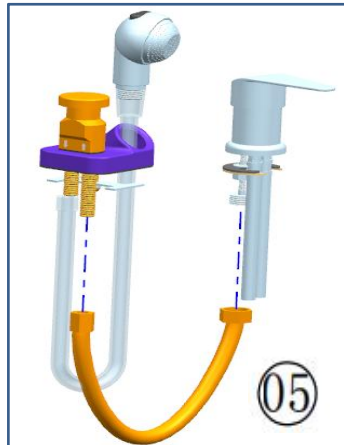
Step 3: Install drainpipes on the pelvic floor

Please follow the chart next to it

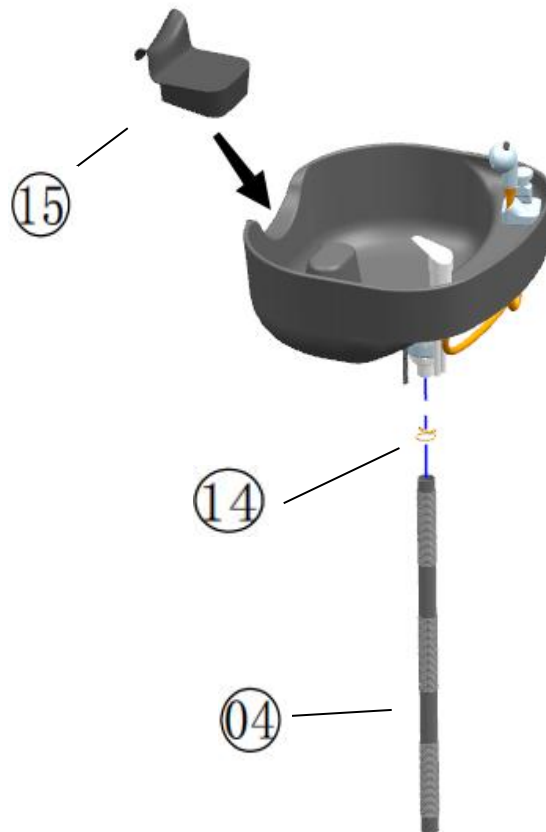
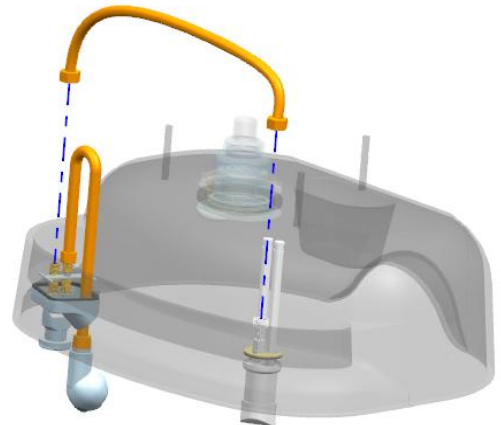
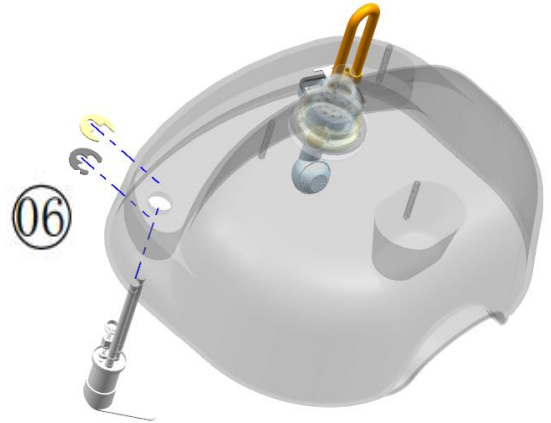
plastic gasket



iron gasket



the two gaskets are the back

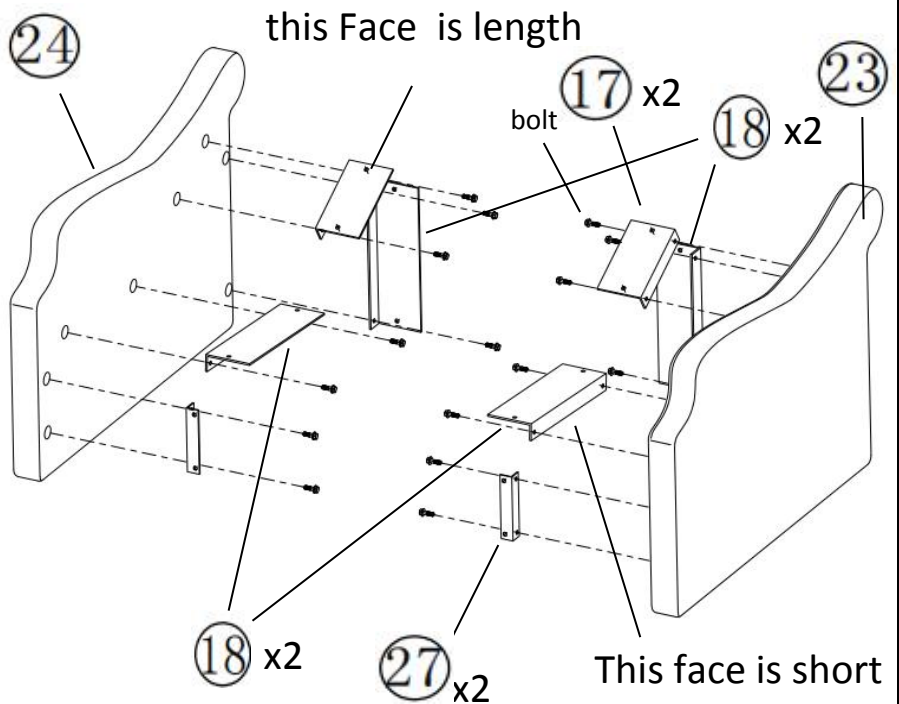


### Third: Install fixed parts

Step 1: Remove the bolts on the left and right handrails (24, 23)

Step 2: Install the fasteners (17, 18, 27) to the left and right handrails (24, 23) with the removed bolts

Please follow up the diagram beside.



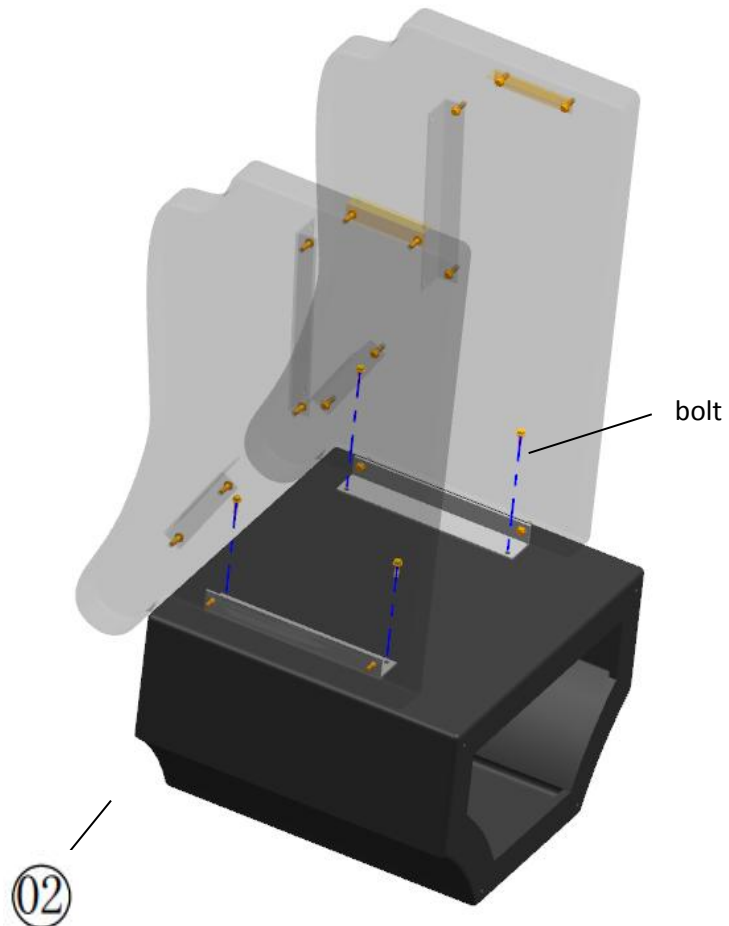
### Fourth: Install the seat frame of the basin

Step 1: Remove the bolts mounted on the basin seat frame (02)

Step 2: the basin mounts with bolt (02) with fixed armrest around

Please follow up the diagram beside.

Please note: when installing the basin seat frame, please lie to both sides as far as possible, in order to facilitate the subsequent installation of the seat and back



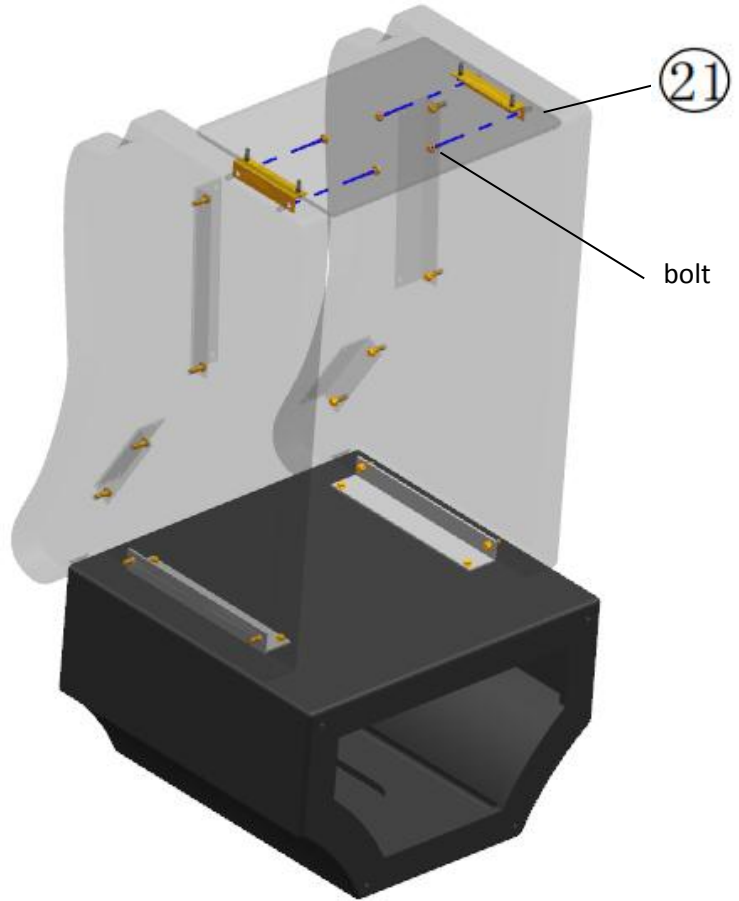
### Fifth: Install the baffle

Step 1: Remove the bolts mounted on the baffle (21)

Step 2: Bolt the baffle (21) to the left and right handrails

Please follow up the diagram beside.

Please note: when installing the basin seat frame, please lie to both sides as far as possible, in order to facilitate the subsequent installation of the seat and back

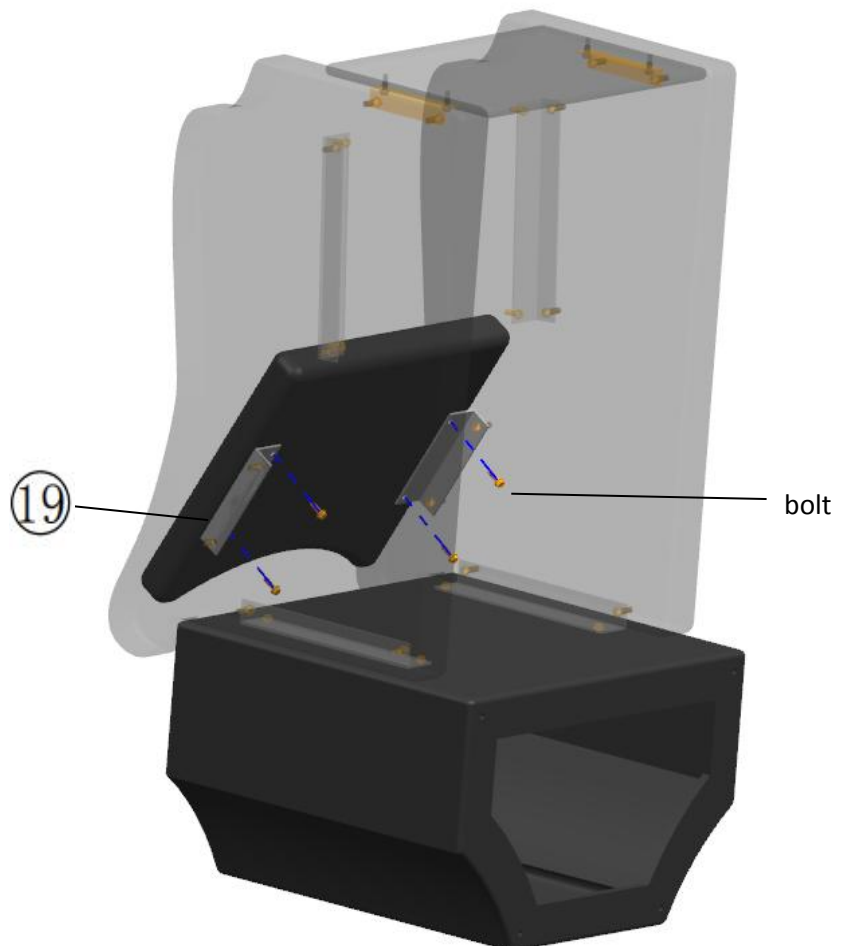


### Sixth: Install backrest

Step 1: Remove the bolts mounted to the backrest (19)

Step 2: Bolt the backrest (19) to the left and right handrails

Please follow up the diagram beside.

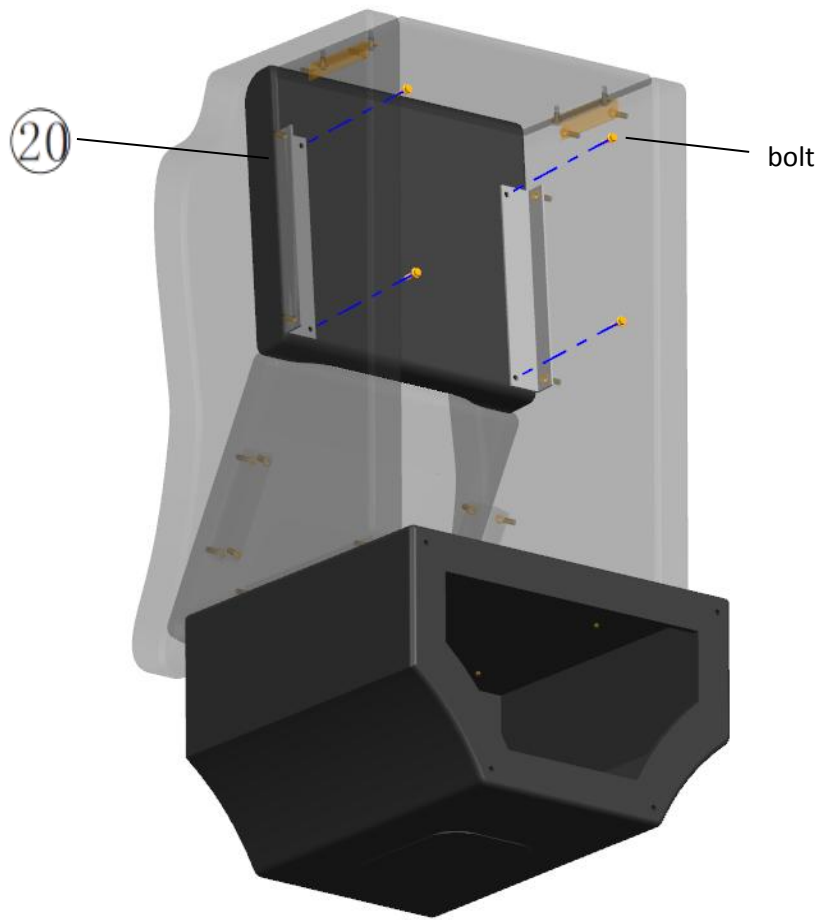


**Seventh: installation seat**

Step 1: Remove the bolts on the mounting seat (20)

Step 2: Bolt the seat (20) to the left and right handrails

Please follow up the diagram beside.

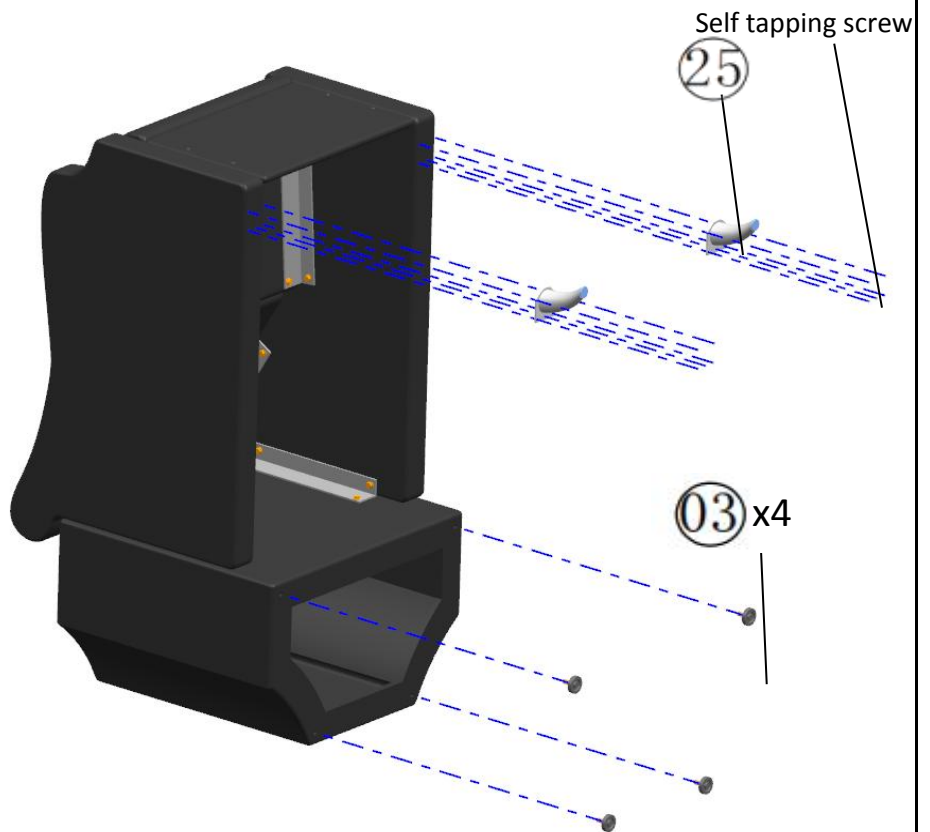


**Eighth: Install the foot**

Step 1: Install the flex pad (25) to the left and right armrests with self-tapping screws

Step 2: Install the 4 foot pads (03) onto the pedestal

Please follow up the diagram beside.

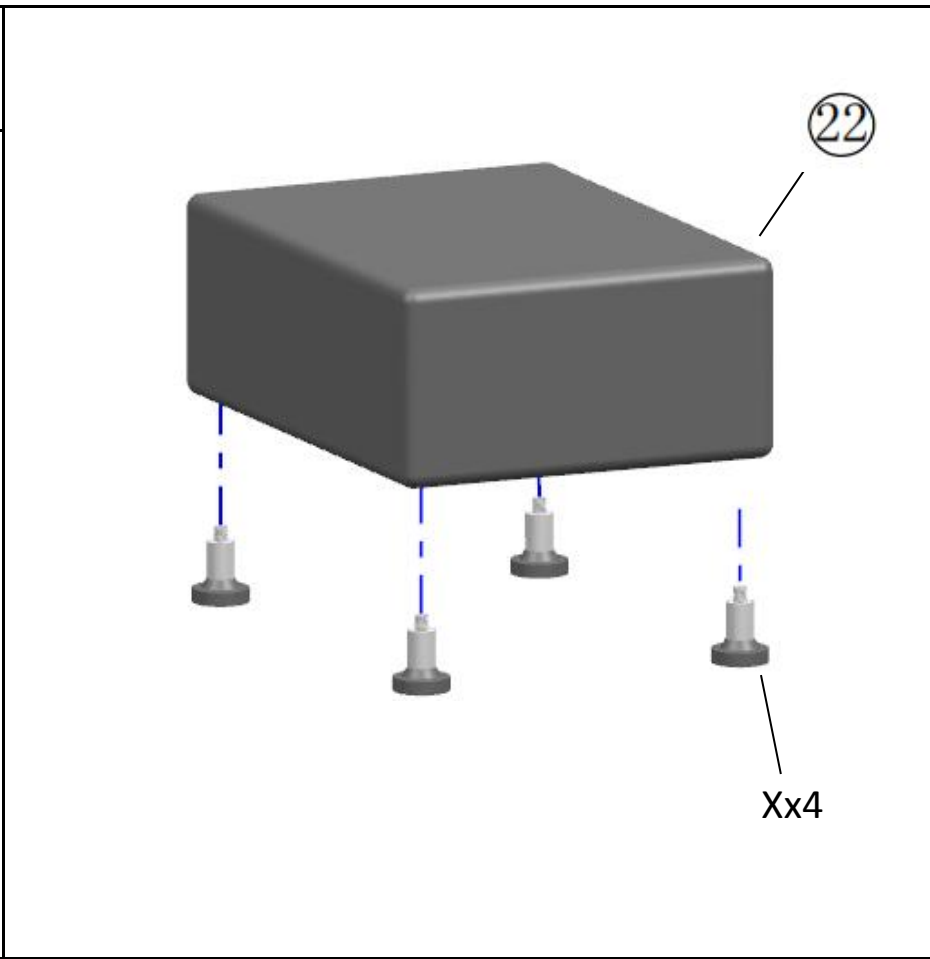




**Ninth: Install the foot pad on the foot**

Attach the 4 pads (22) to the feet

Please follow up the diagram beside.



**Tenth: Install the basin to the basin seat frame**

Install basin (01) to basin seat with 3 spacers and 3 nuts

Please follow up the diagram beside.

