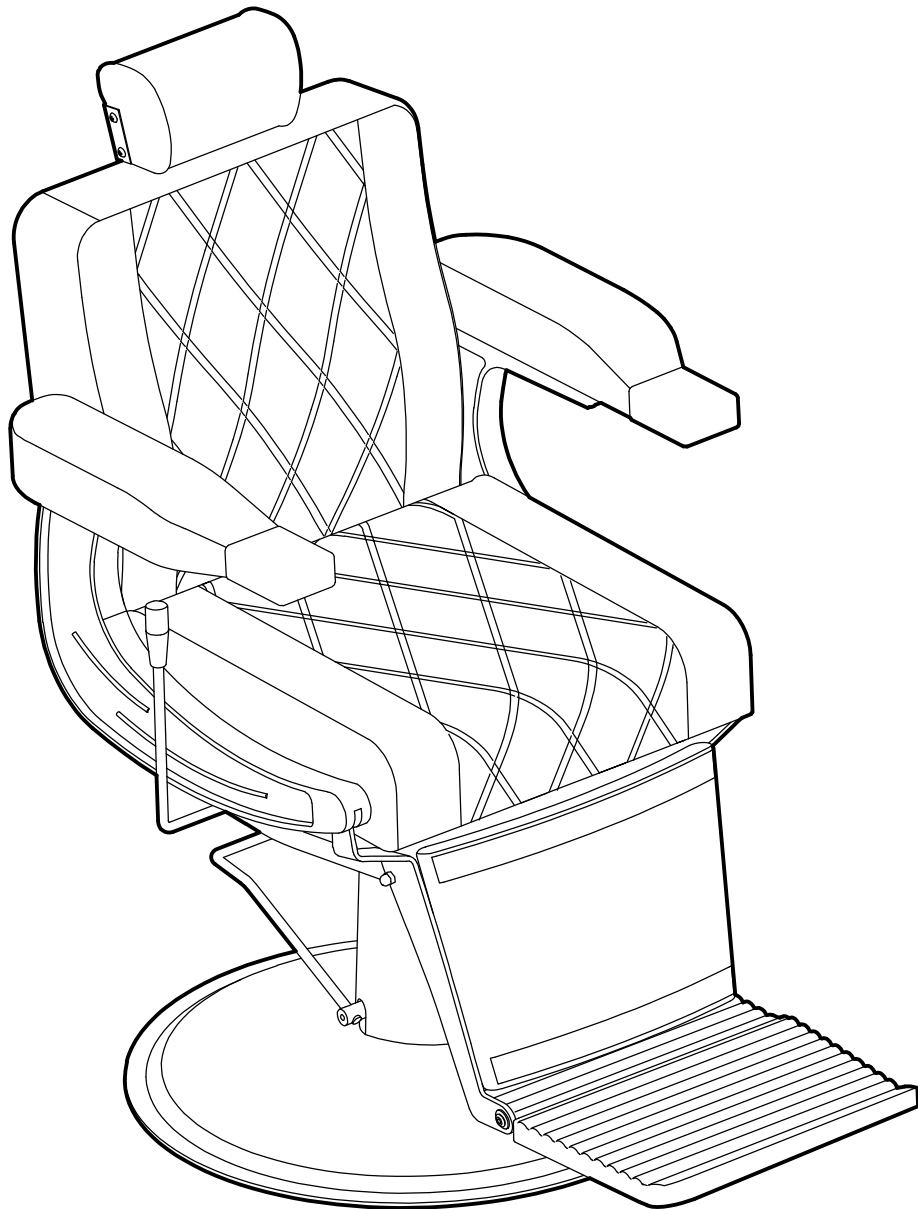


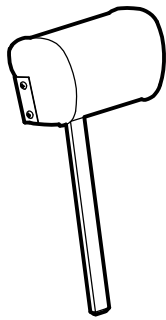
# OmySalon

OmySalon Barber Chair  
Model:BC1402-B

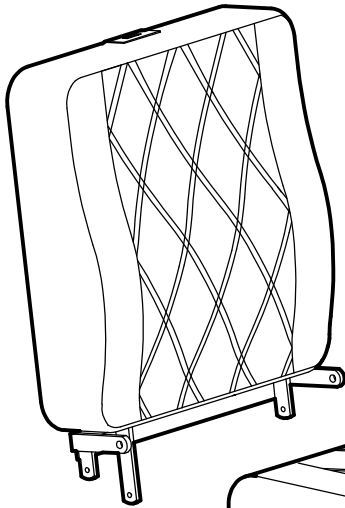


Visit our website: [www.omysalon.com](http://www.omysalon.com)

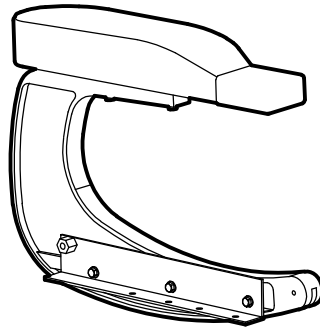
For missing parts or questions email us at [support@omysalon.com](mailto:support@omysalon.com)



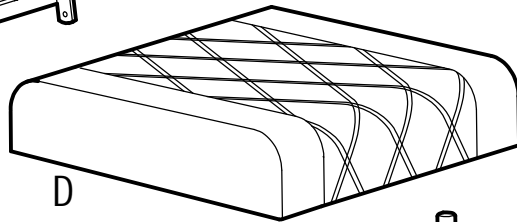
A



B



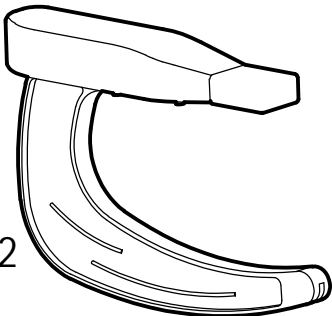
C1



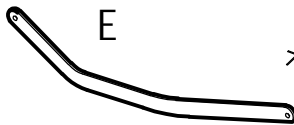
D



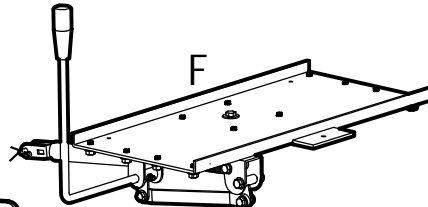
E



C2



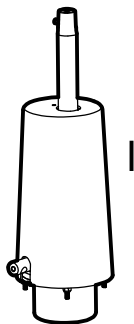
E



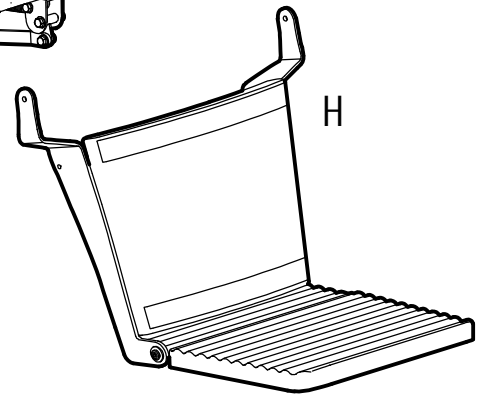
F



G



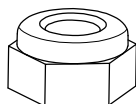
I



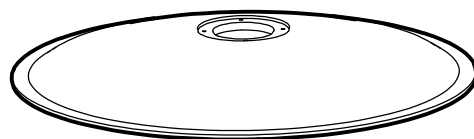
H



Ø4x40=5  
0001



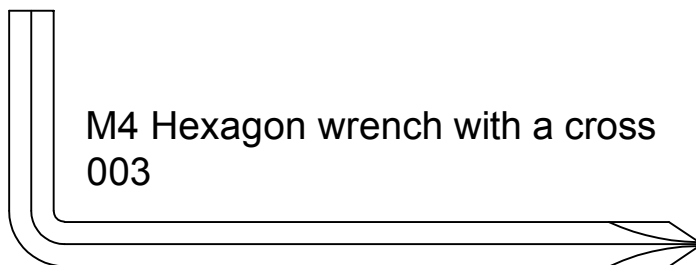
M6Lock nut=4  
0002



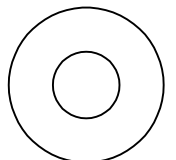
J



K

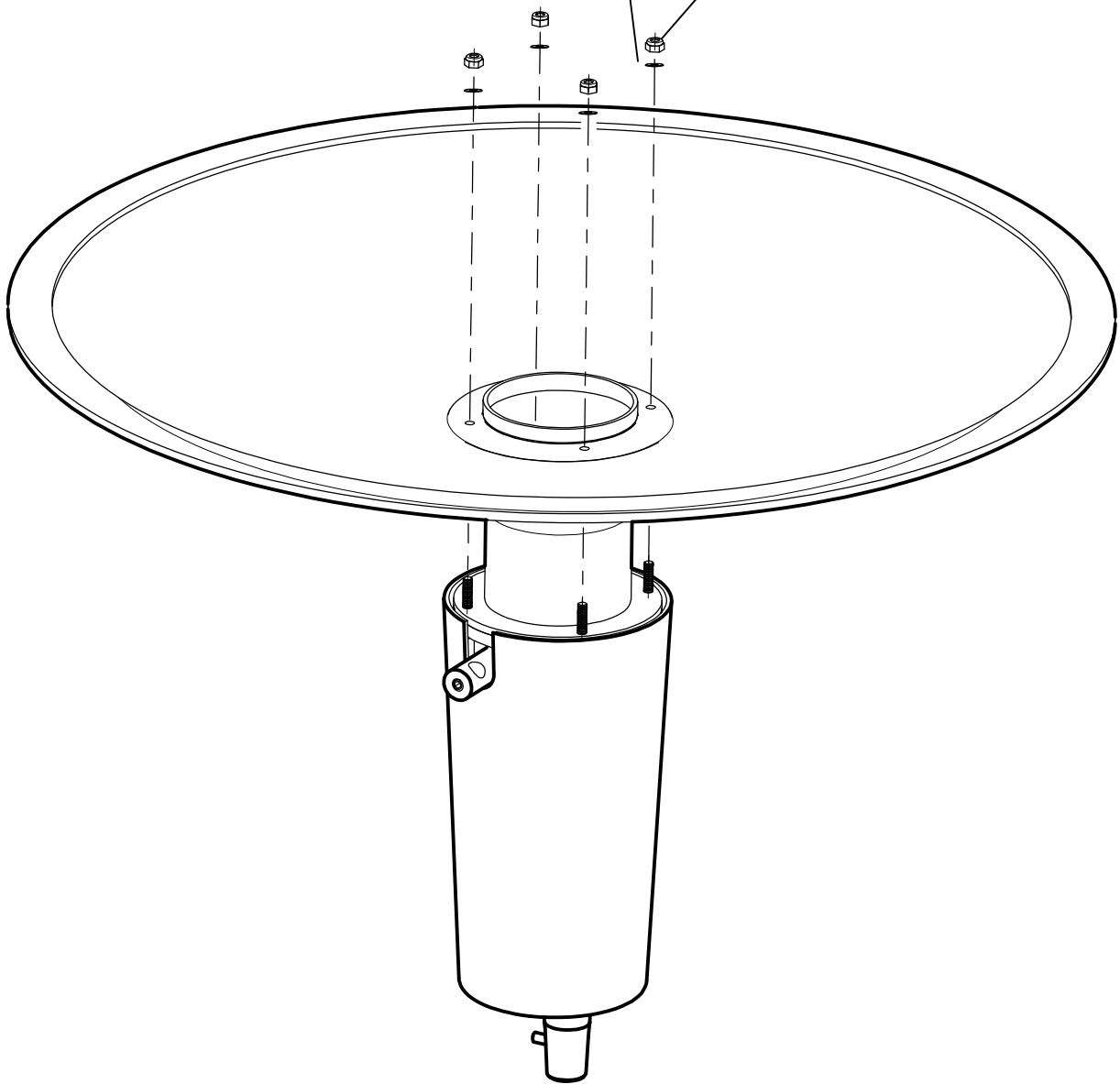
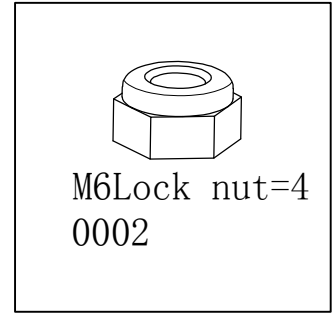
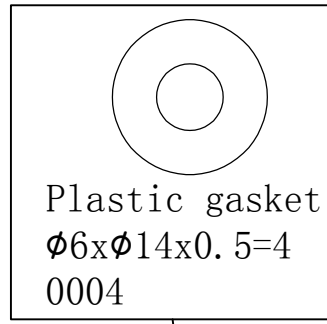


M4 Hexagon wrench with a cross  
0003

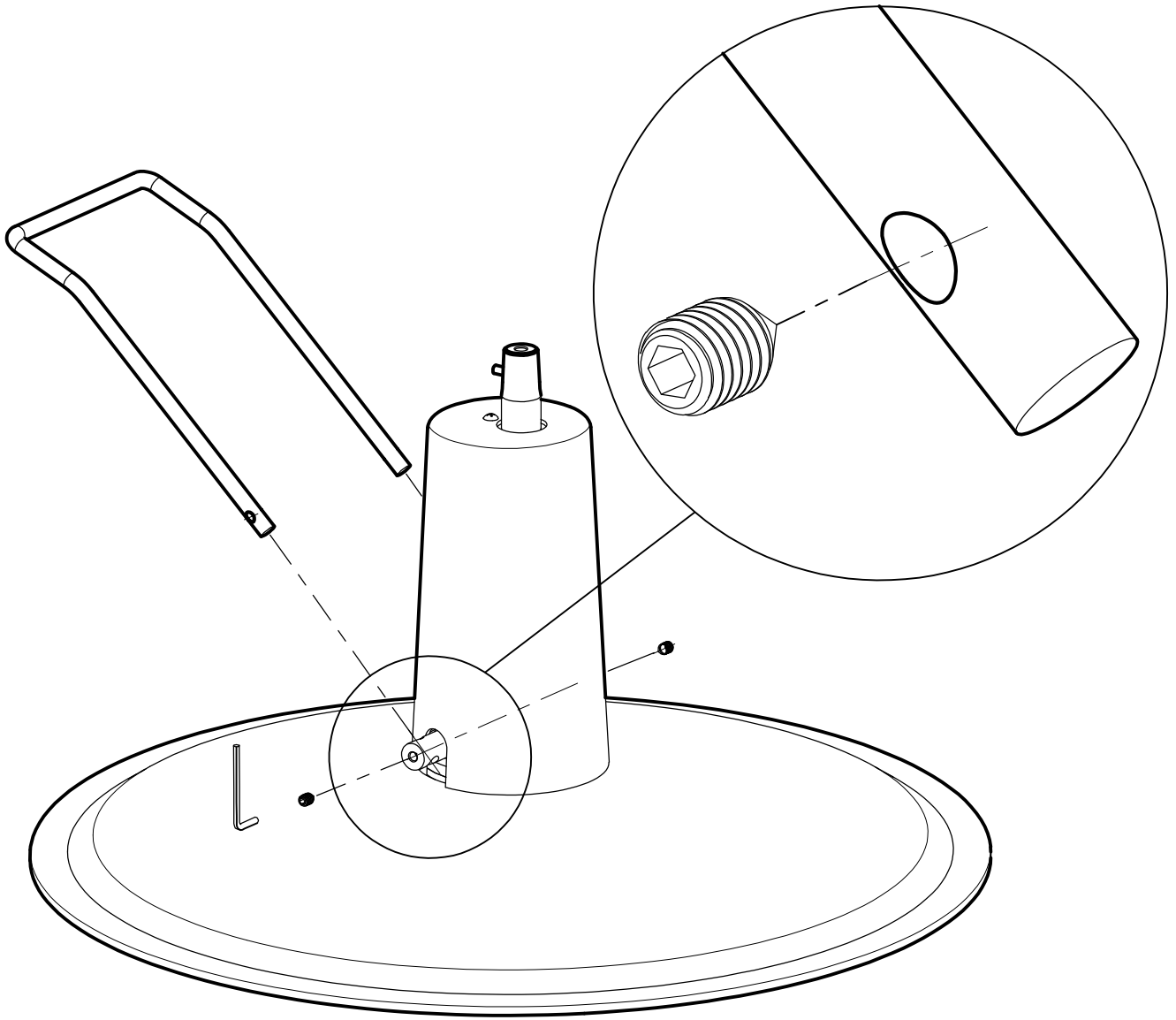
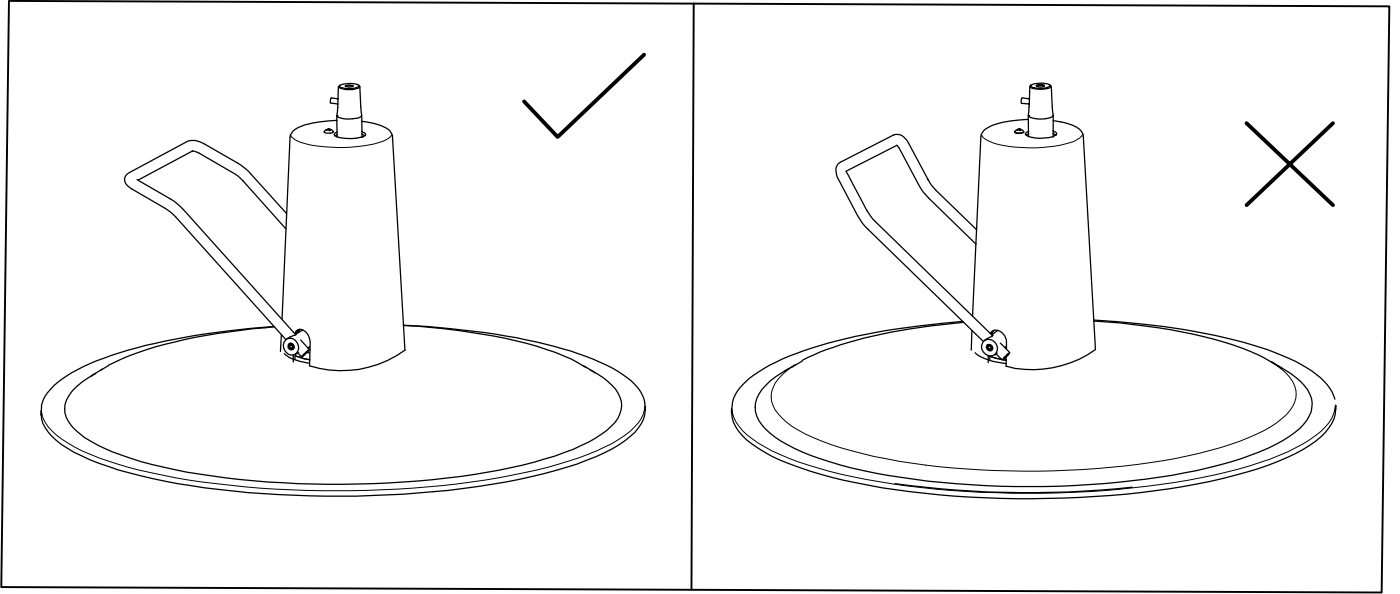


Plastic gasket  
Ø6xØ14x0.5=4  
0004

1

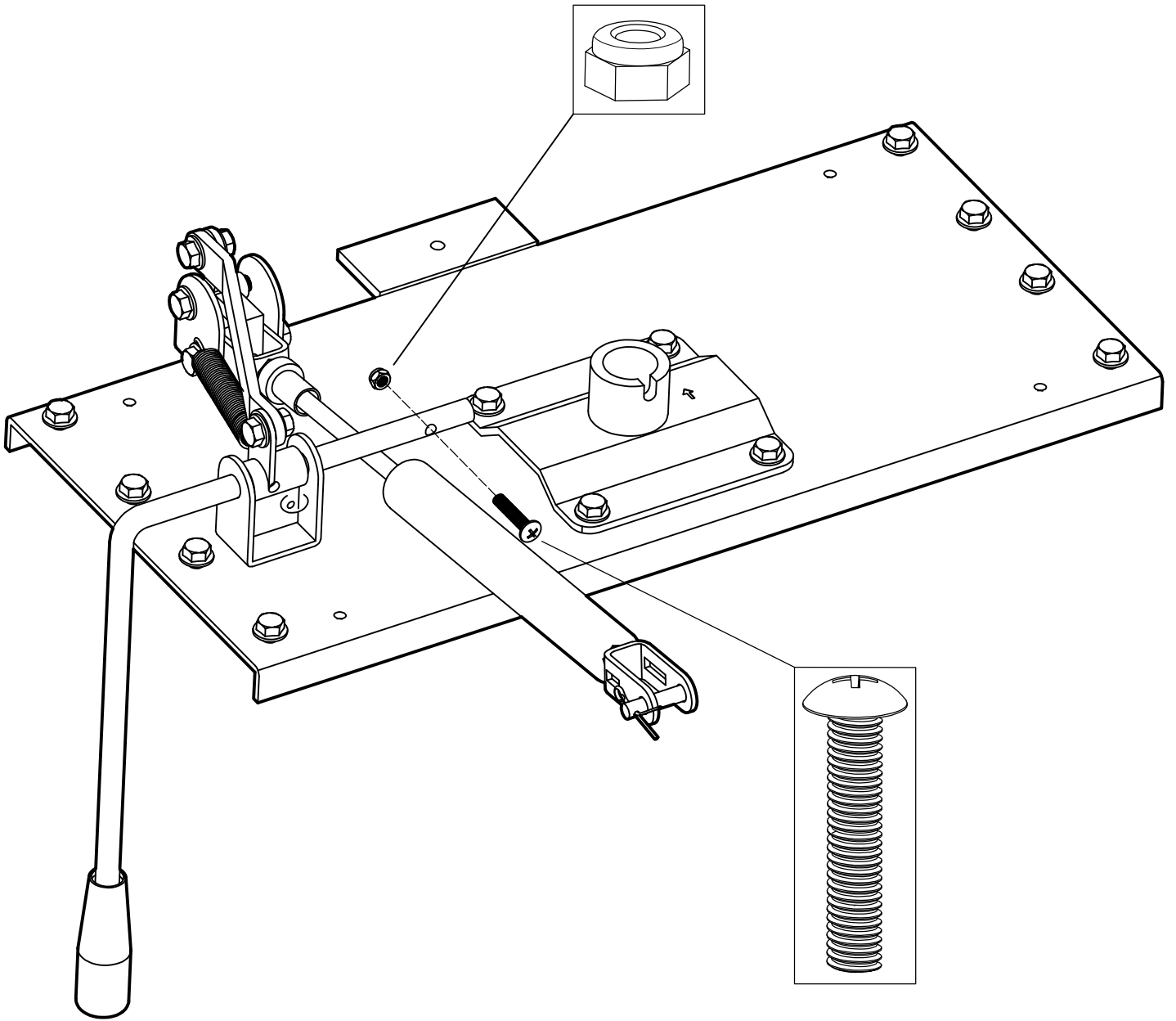


# 2

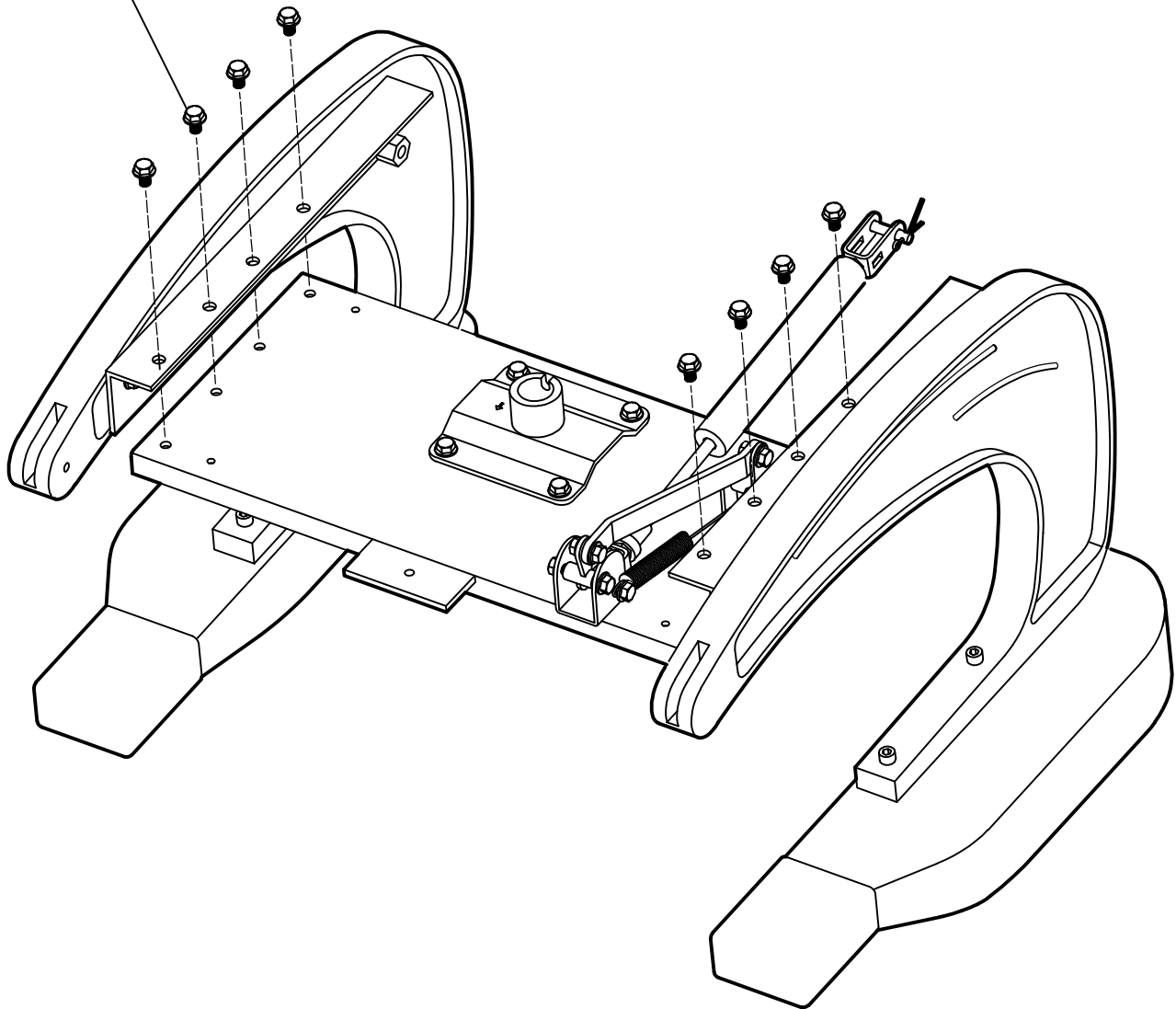
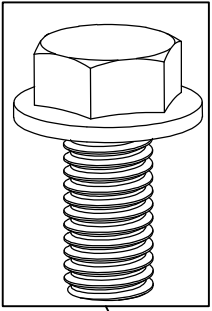
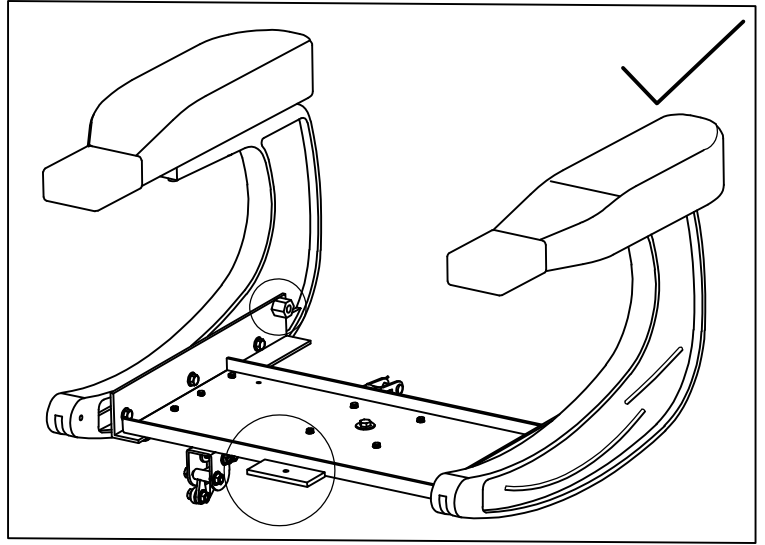
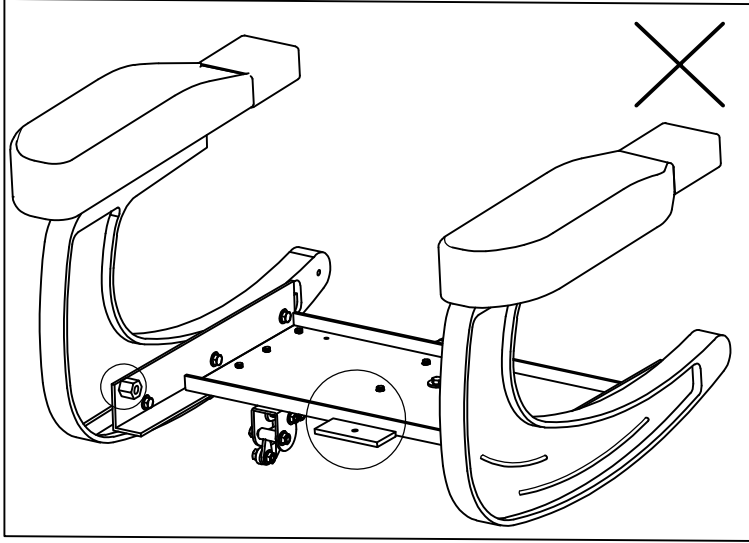


# 3

**Note:** This step removes the bolts, nuts, and rocker

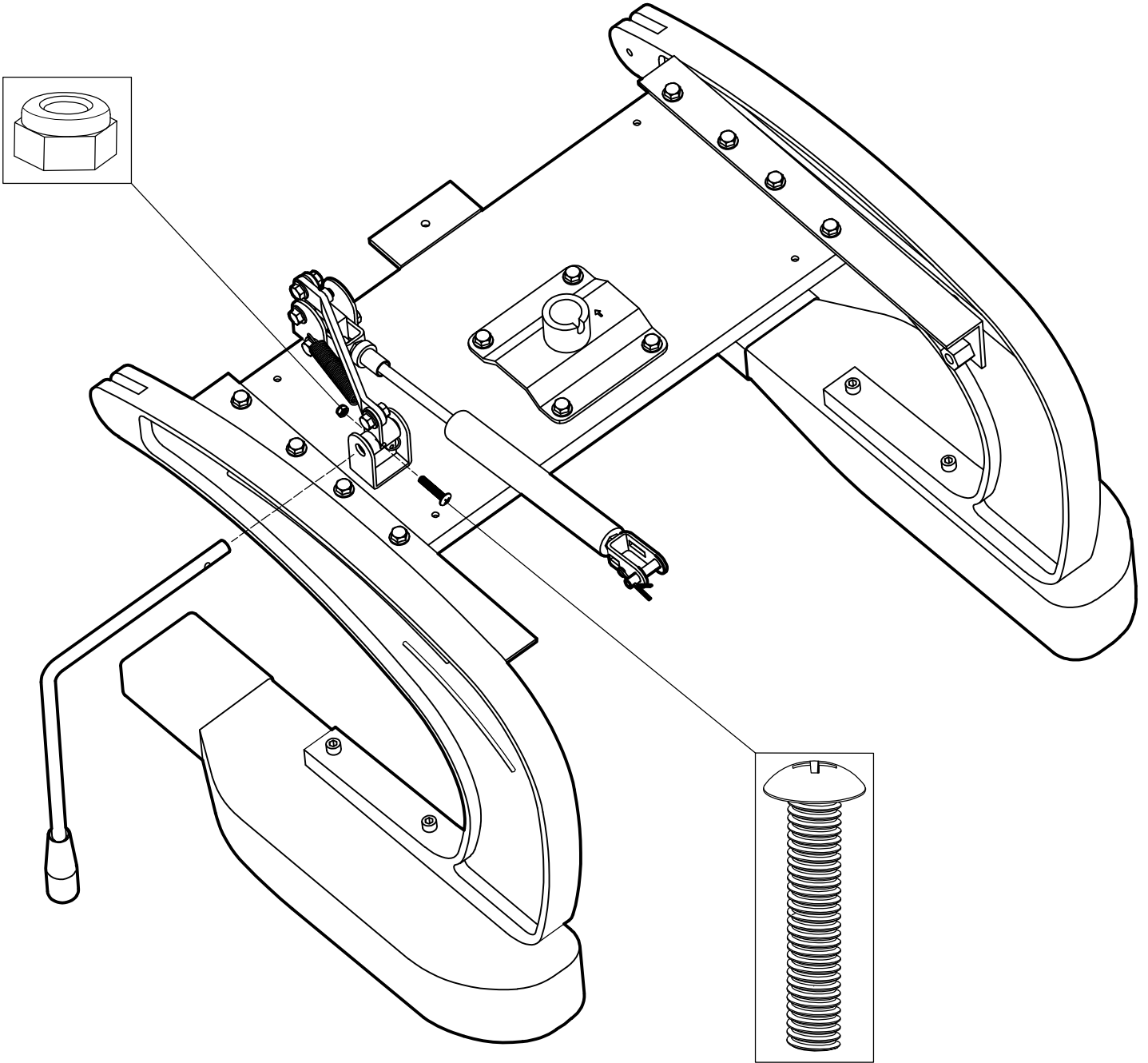


# 4

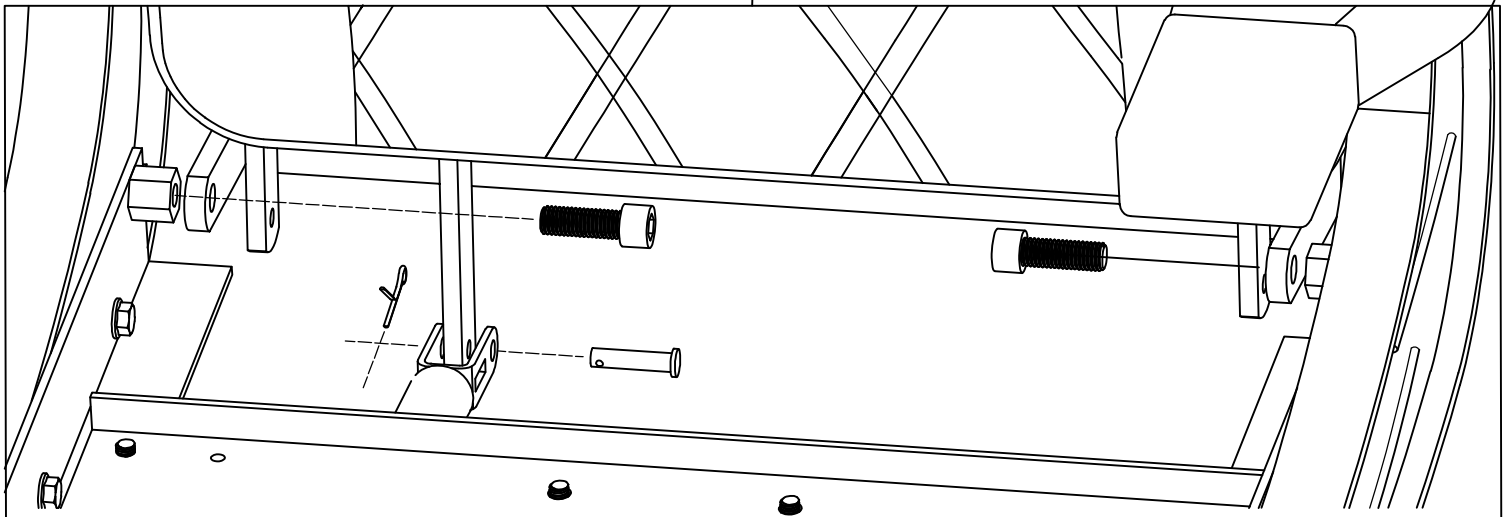
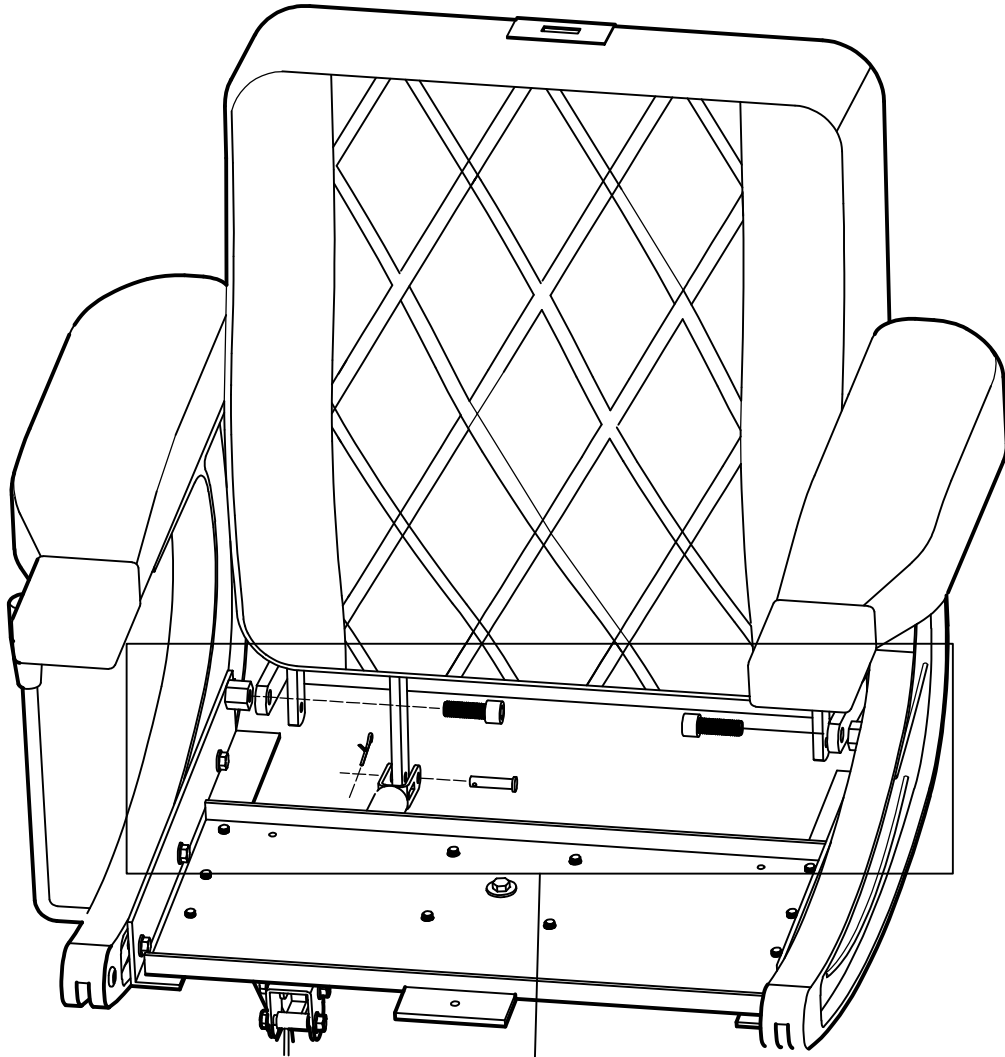


# 5

note: This step installs the bolts, nuts, and rocker

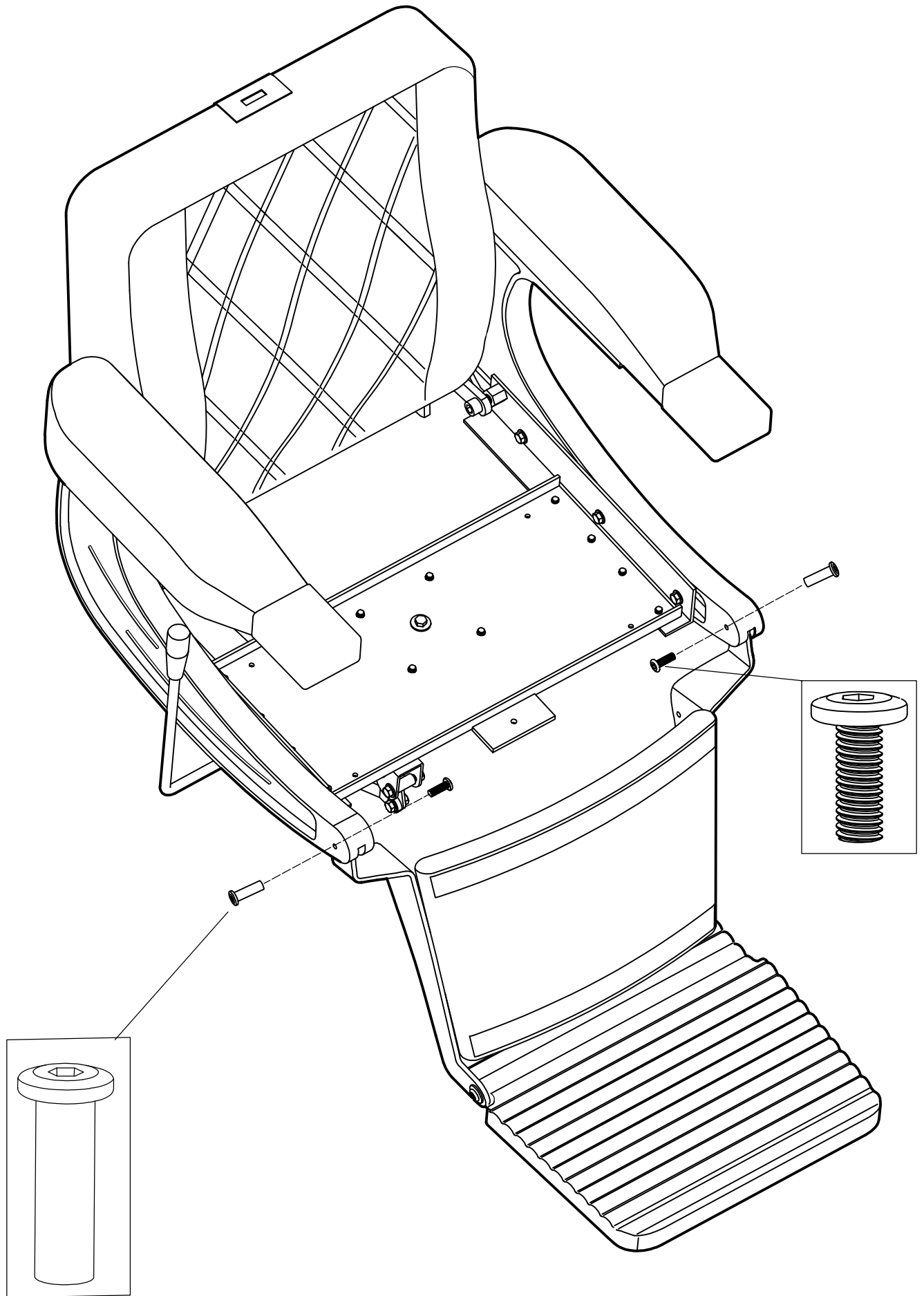


6

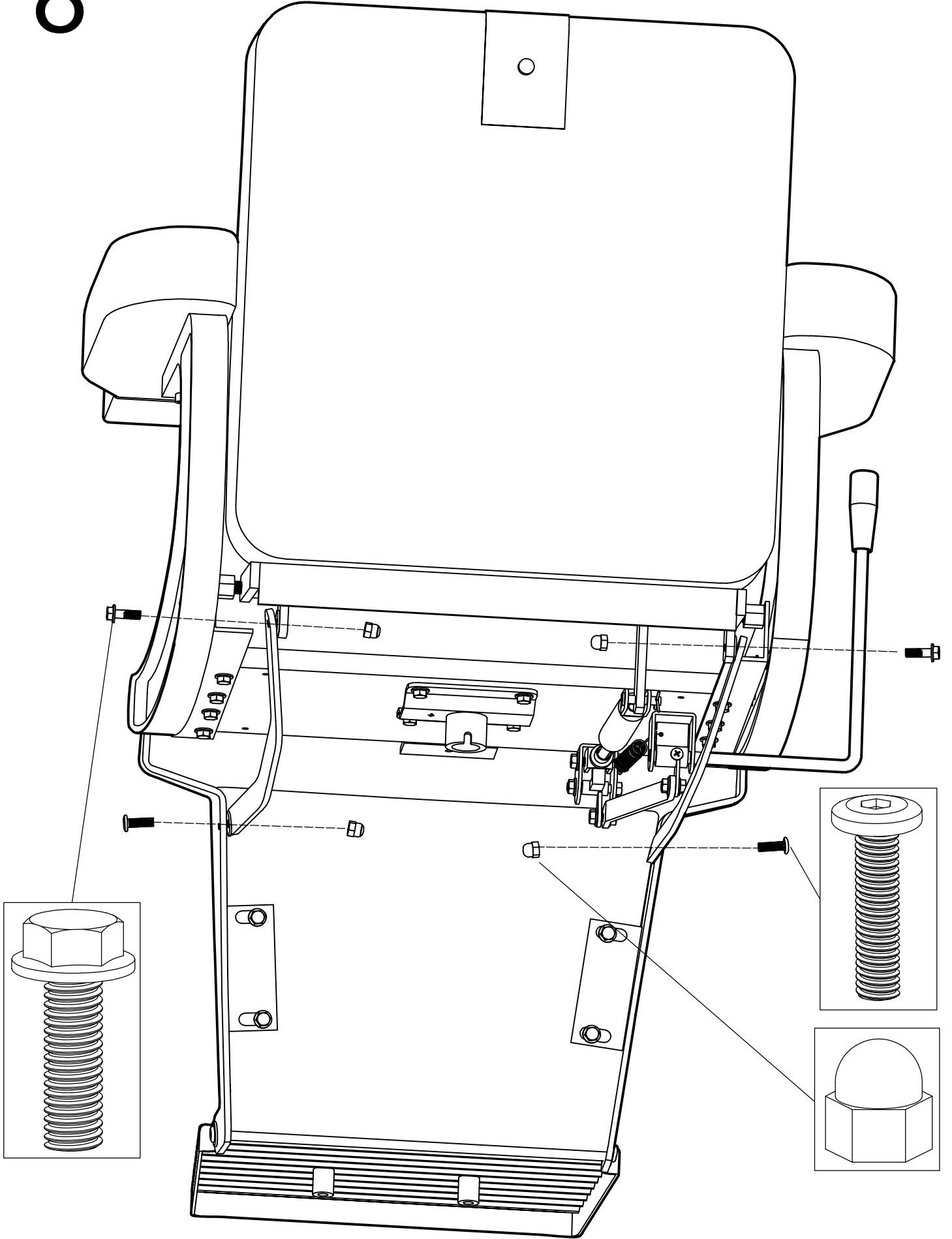




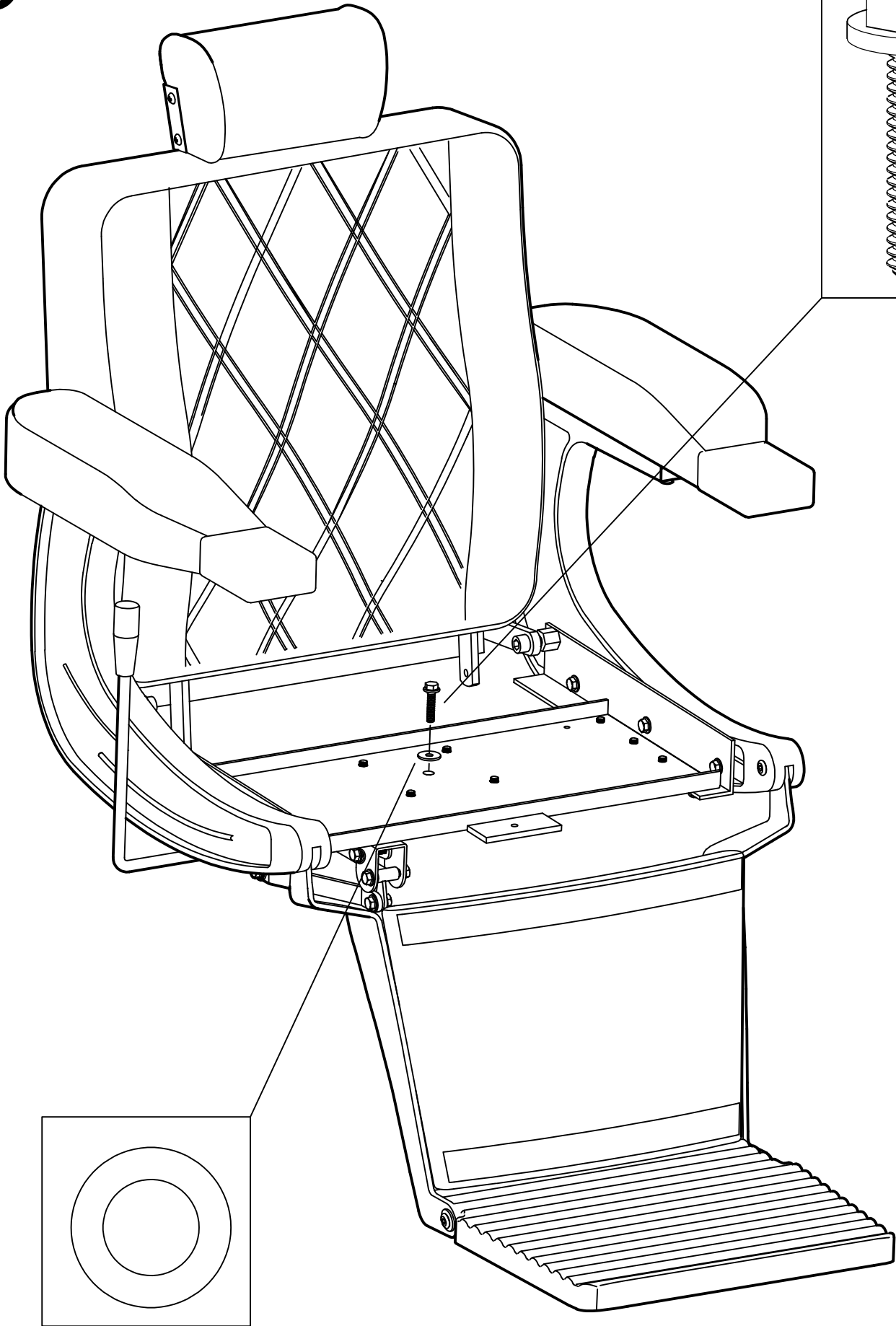
7



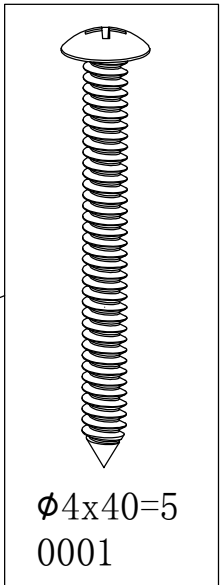
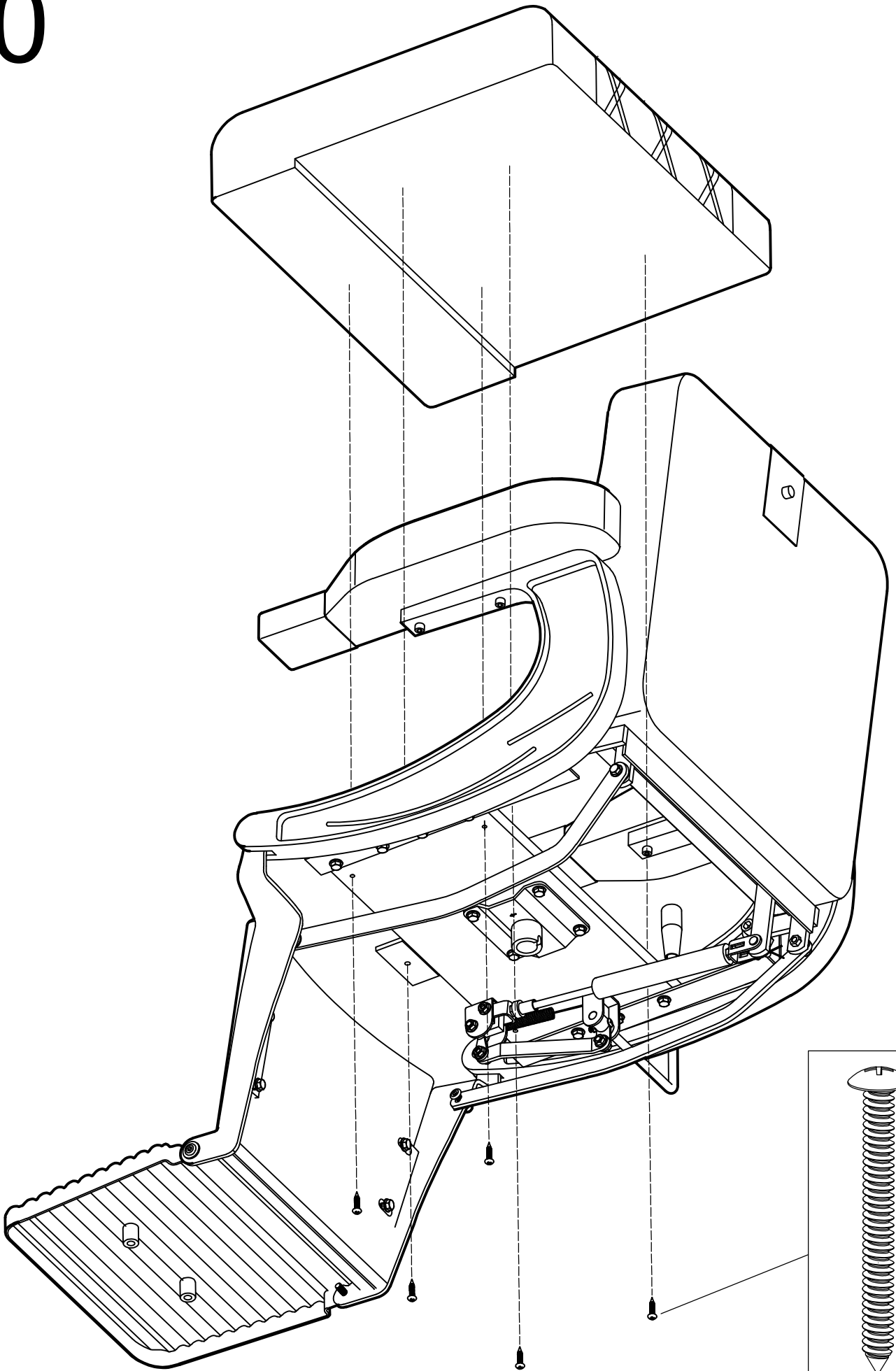
8

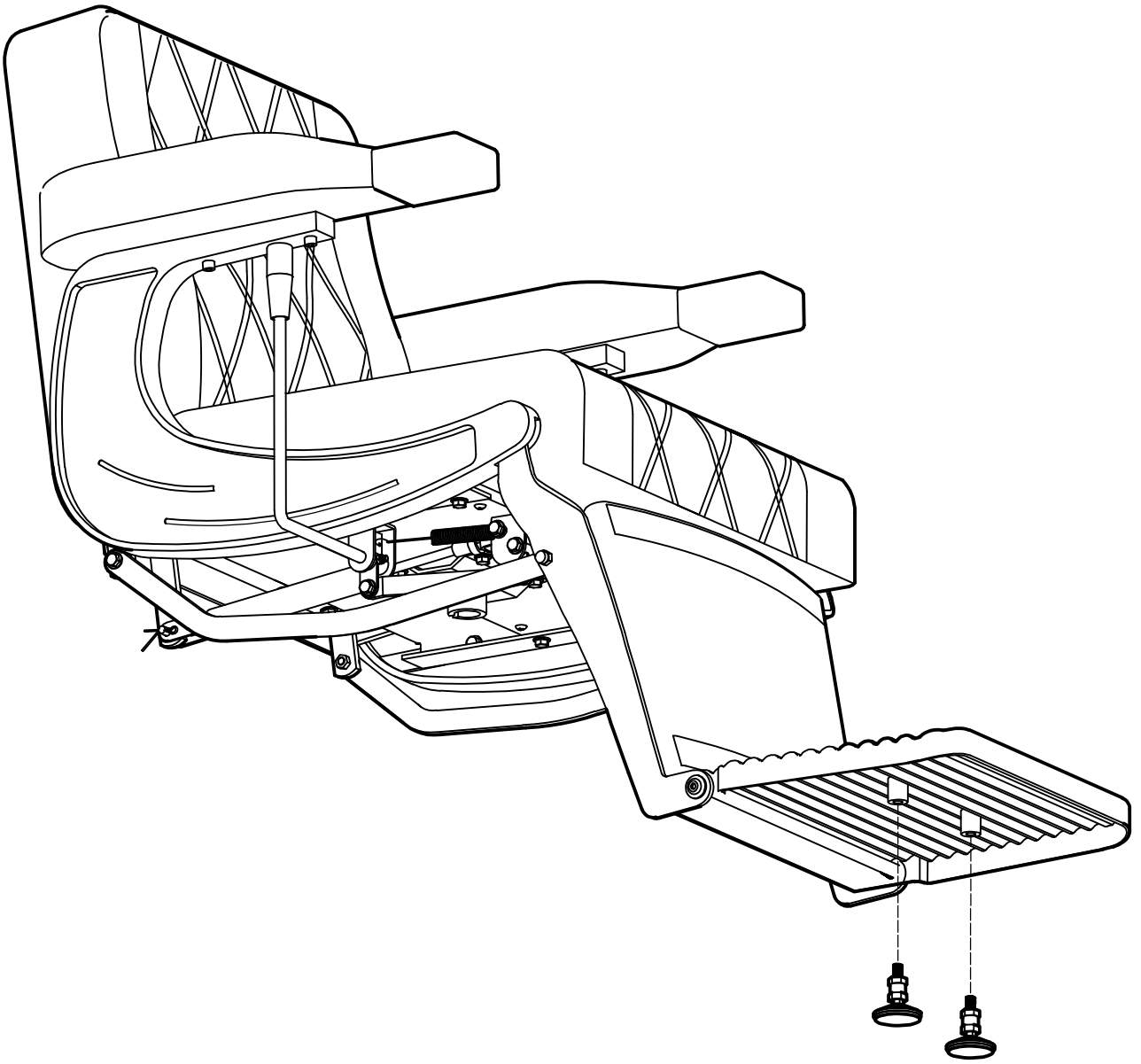


9

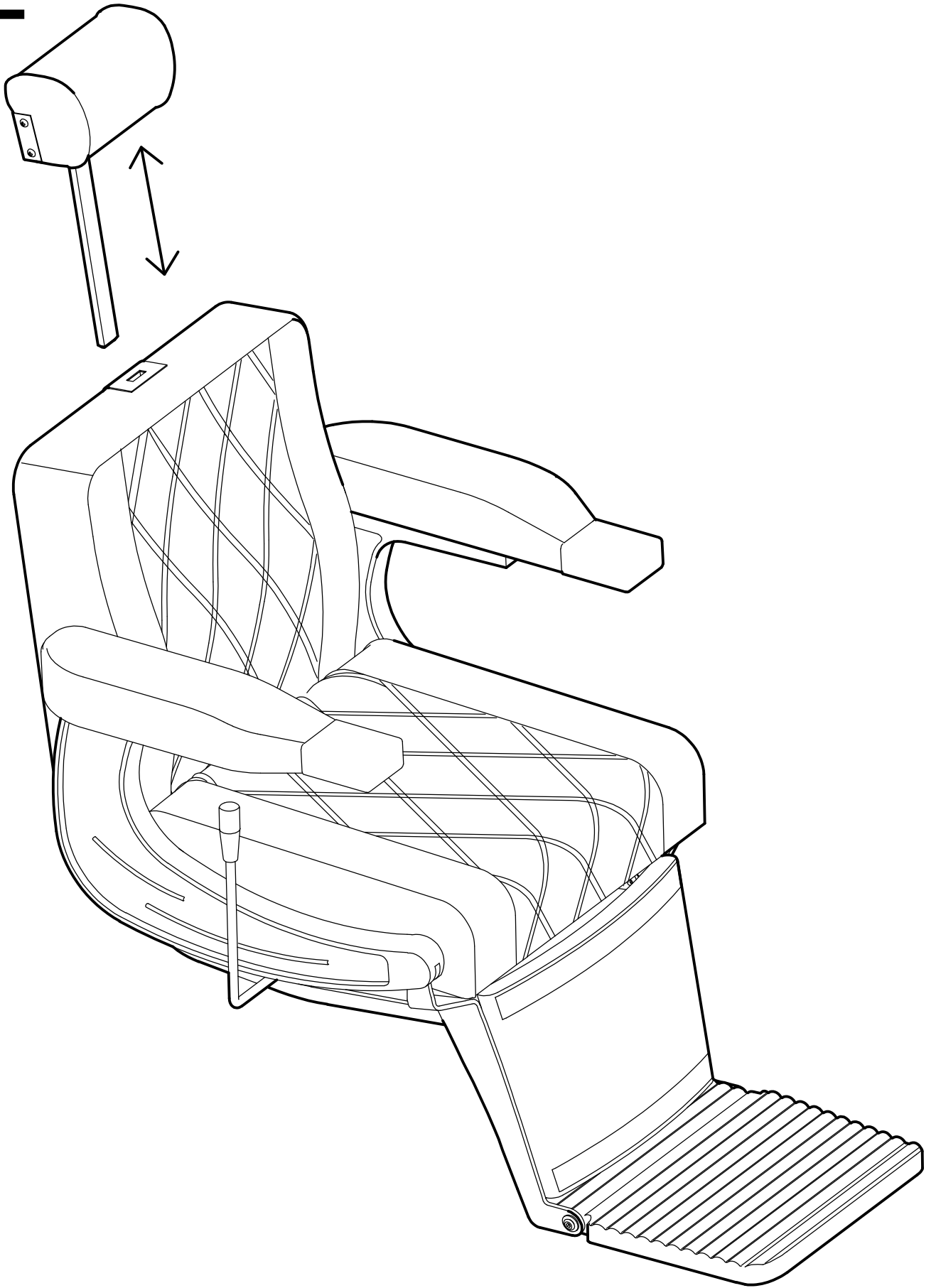


# 10

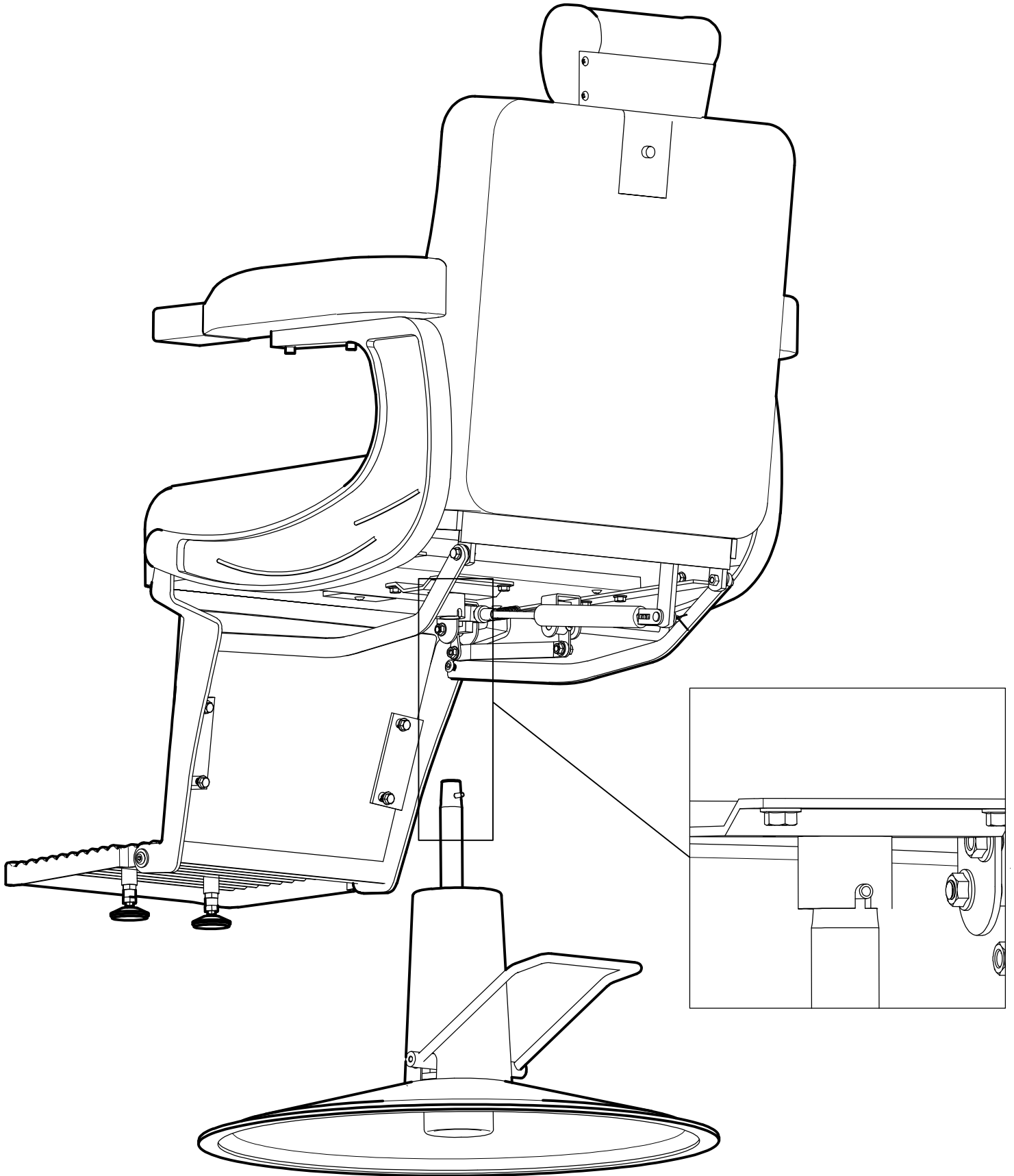




12



13



# 14

