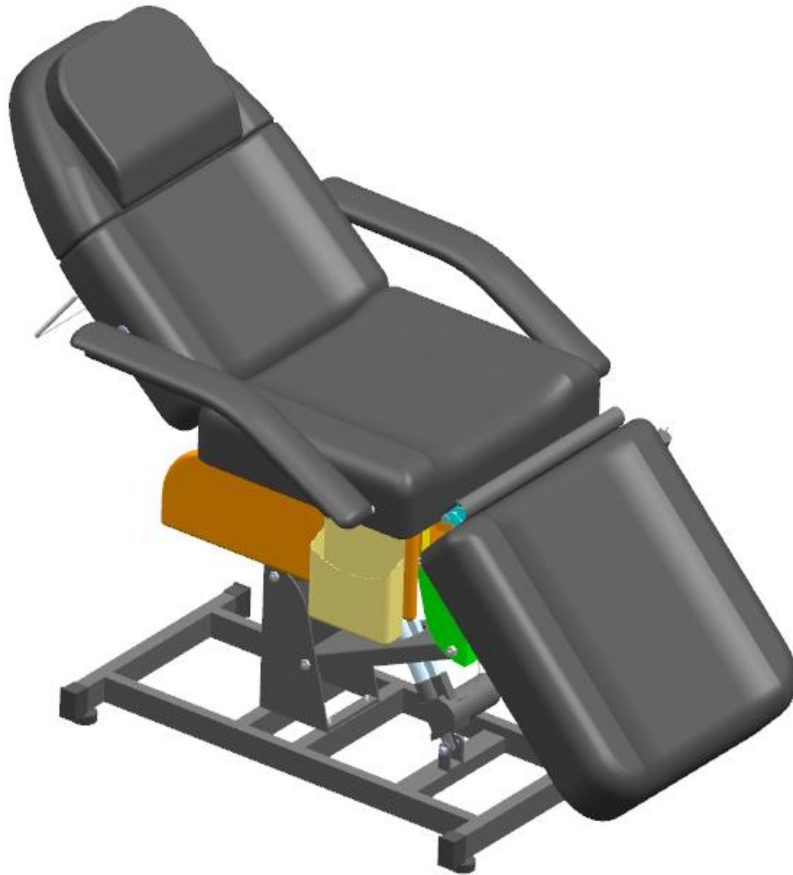


OmySalon

OmySalon Electric Beauty Bed

Model: FESB-W



Visit our website : www.omysalon.com

For missing parts or questions : email us at support@omysalon.com

SAFETY



To reduce risk of injury when assembling & using the chair, follow these precautions:

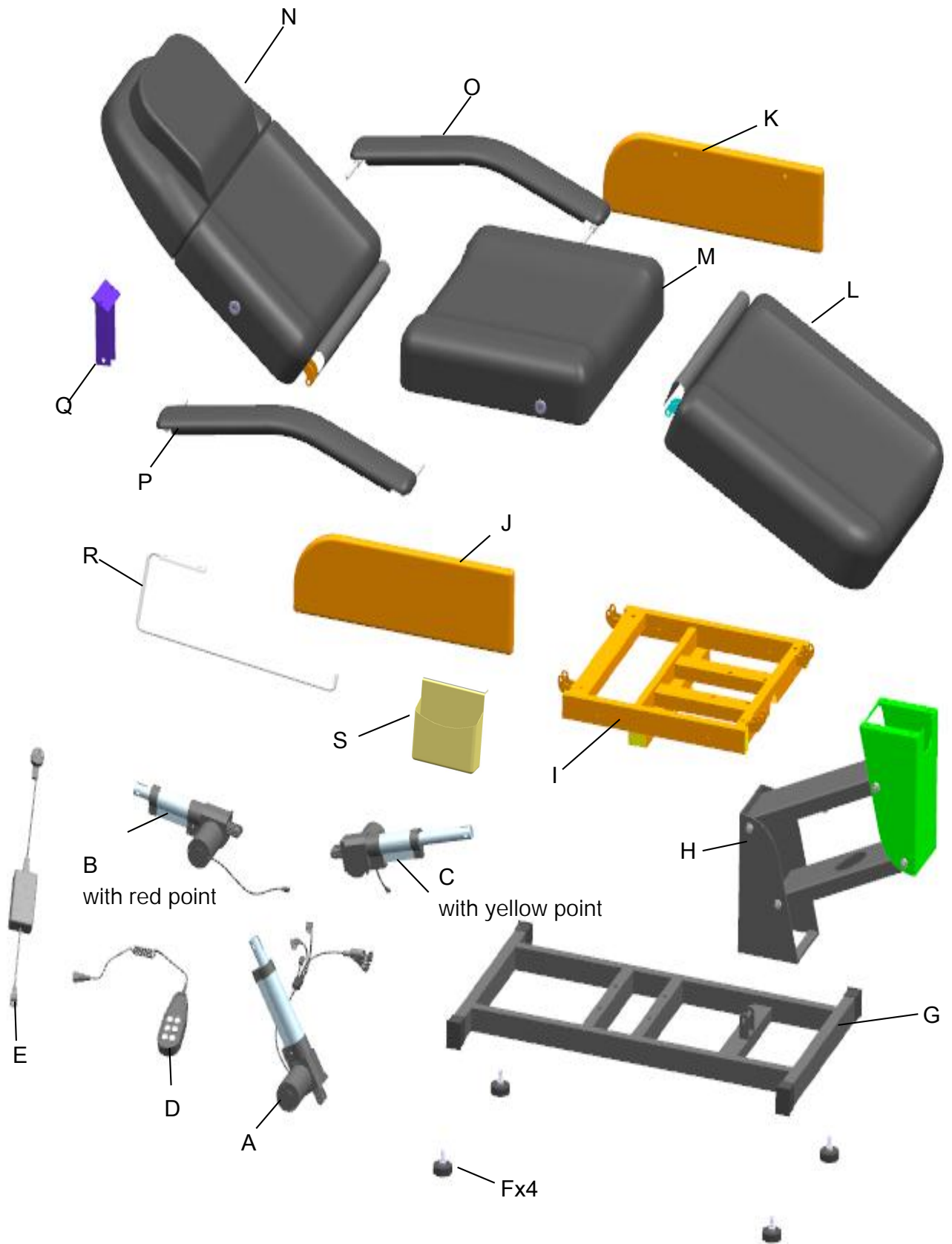
OmySalon Electric Beauty Bed with Stool

- Read all of these instructions before assembling and using your salon chair.
- It is helpful to have 2 people assemble and turn the chair upright after assembling.
- Do not over-extend the chair(0~150kg), creating the risk of falls or tipping the chair, and its occupant over, resulting in injury






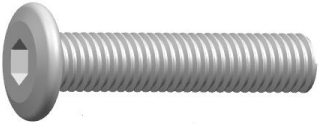





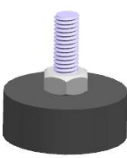
OTHER ITEMS YOU WILL NEED (not included)

- Hand Tools:Wrench,Rubber Mallet,Screwdriver (Phillips),Sturdybox

PARTS & FEATURES



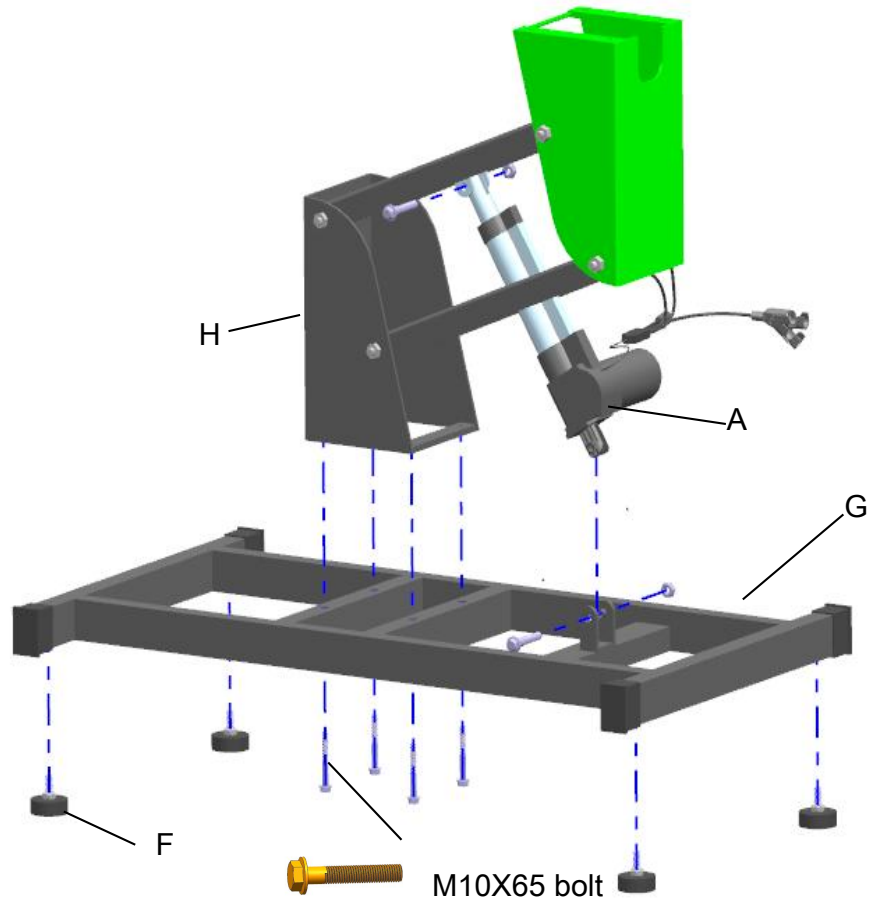
PARTS & FEATURES

1	 <p>12x14 Open end wrench x1</p>	7	 <p>M8x45 bolt x2</p>
2	 <p>14x17 Open end wrench x1</p>	8	 <p>gasket x8</p>
3	 <p>6 mm wrench x1</p>	9	 <p>M8x40 bolt x4</p>
4	 <p>5 mm wrench x1</p>	10	 <p>M10x45 bolt x4</p>
5	 <p>M10x65 bolt x4</p>	11	 <p>cable ties x3</p>
6	 <p>M8x65 bolt x2</p>	12	 <p>Foot column x4</p>

Installation instruction

First : Install H to G

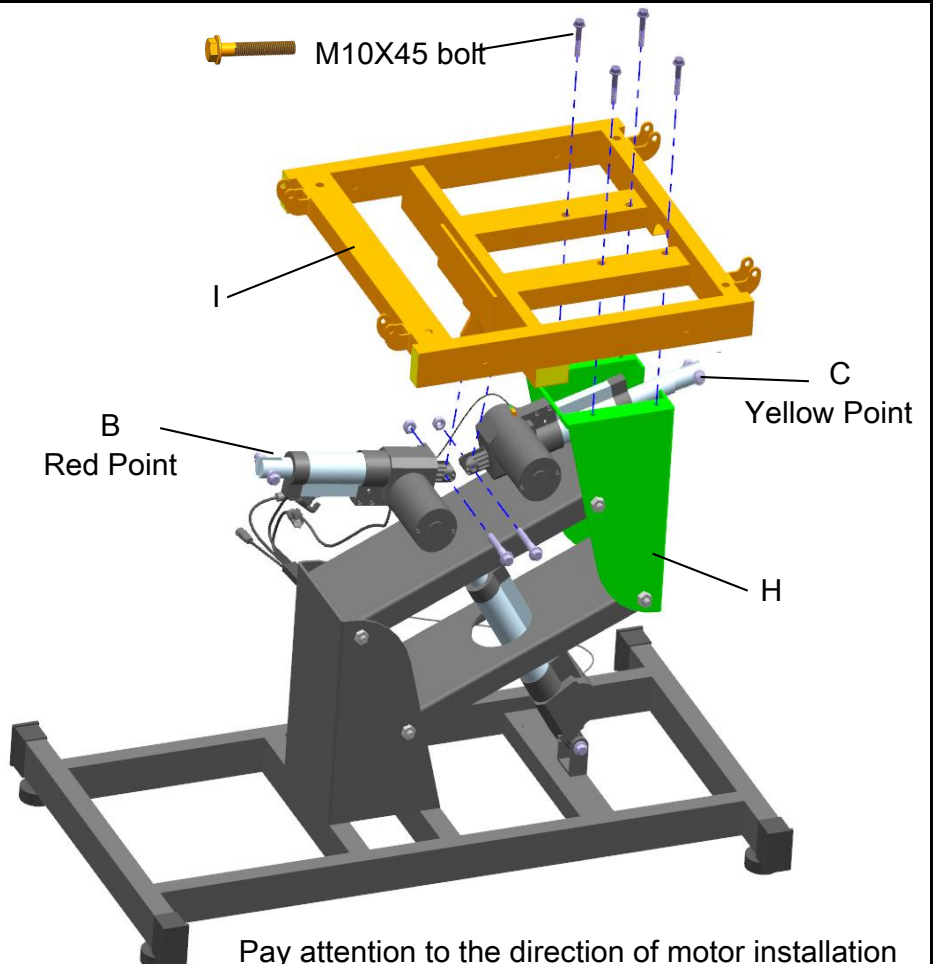
Step 1: First install F on G
Step 2: Fix H to G with 4 bolts
Step 3: Remove the bolts pre-installed on the motor
Step 4: Connect A and H to G
Please follow the chart on the side



Pay attention to the direction of motor installation

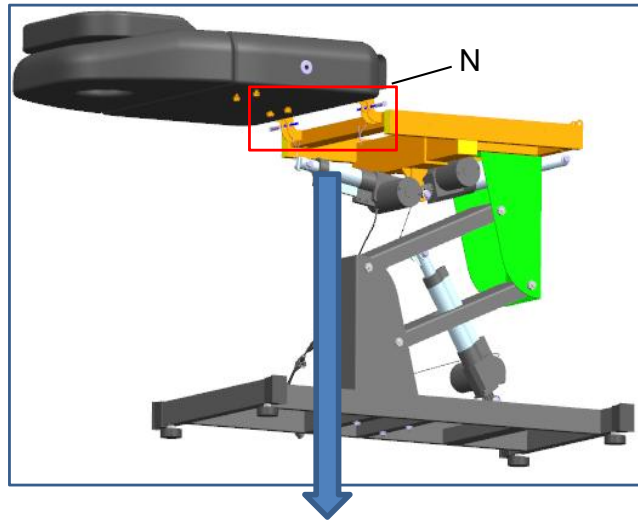
Second: install I to H

Step 1: Fix I to H with 4 bolts
Step 2: Remove the bolts preinstalled on the motor
Step 3: Install B and C to I
Please follow the chart on the side



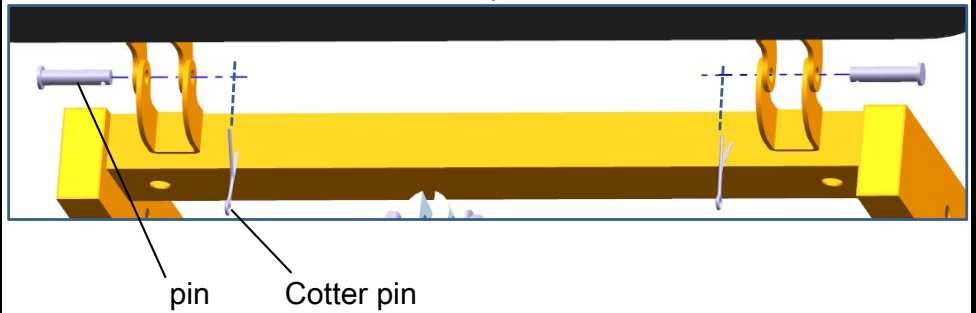
Pay attention to the direction of motor installation

Third: install N



Step 1: Remove the preinstalled pins and cotter pins

Step 2: Install the backrest
Please follow the chart on the side



Note: pin shaft is installed on one side first and then on the other side which is convenient for installation

Fourth: install Q and R

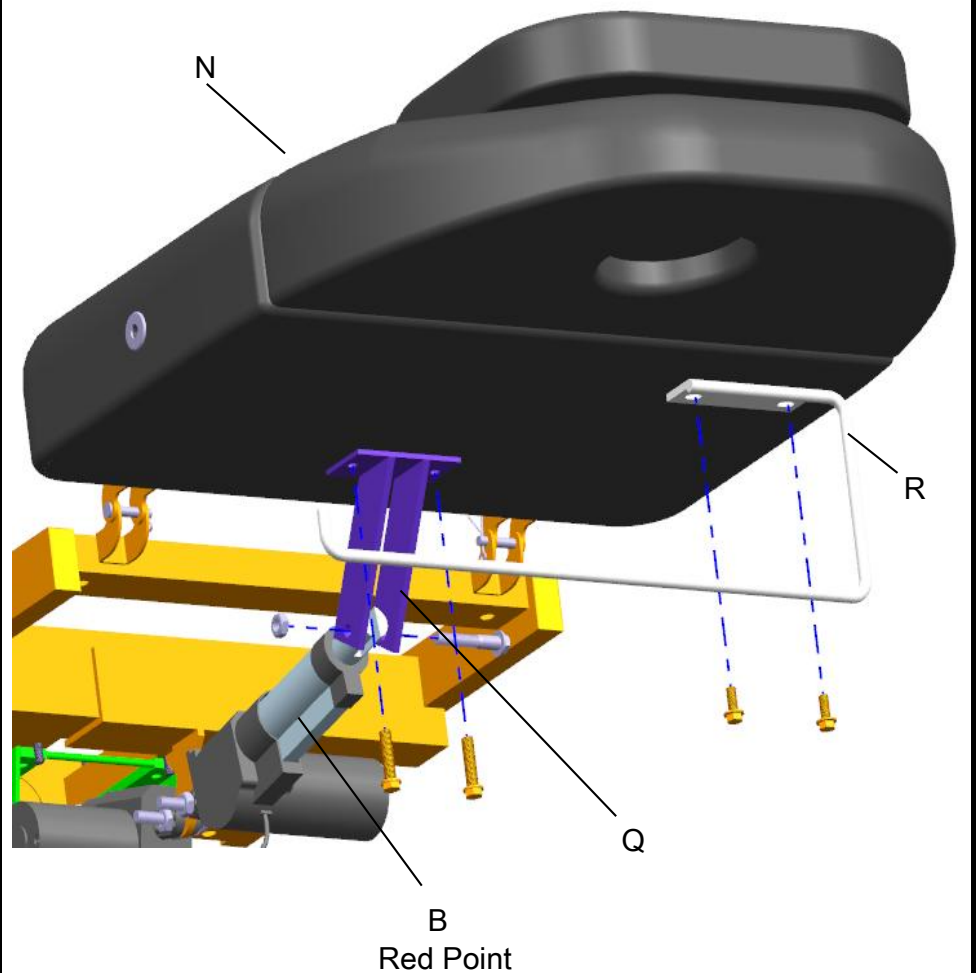
Step 1 : remove the preinstalled bolts of N

Step 2: Install Q and R on N

Step 3: Remove the bolts preinstalled on the motor

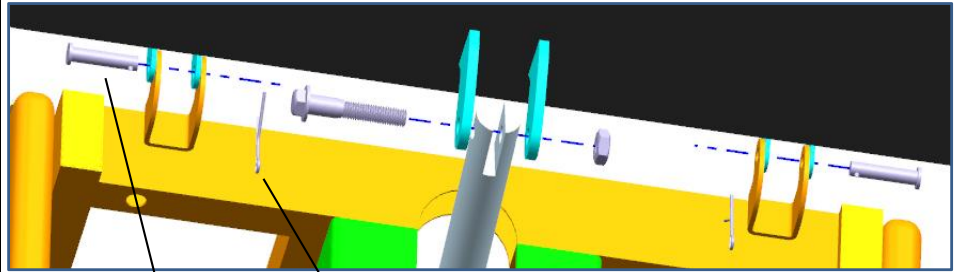
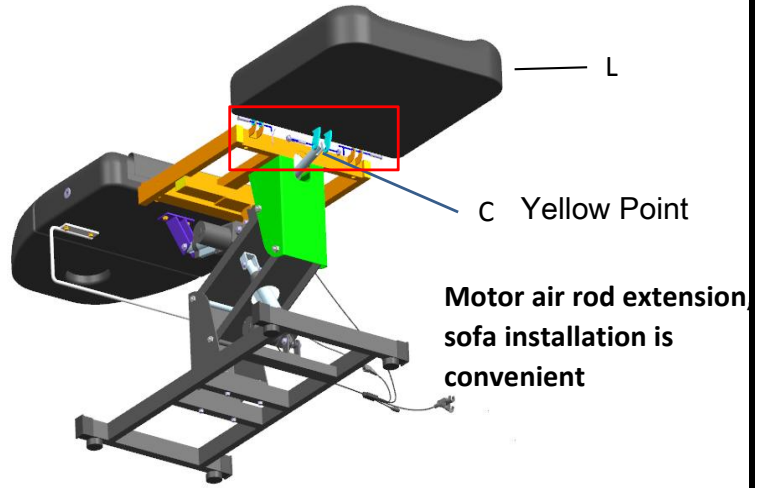
Step 4: Connect Q and B

Please follow the table on the side



Fifth: install L

Step 1: Remove the pre-installed pins and cotter pins
Step 2: Install L
Step 3: Remove the motor pre-mounting bolts
Step 4: Connect the motor to the iron piece on L
Please follow the chart on the side

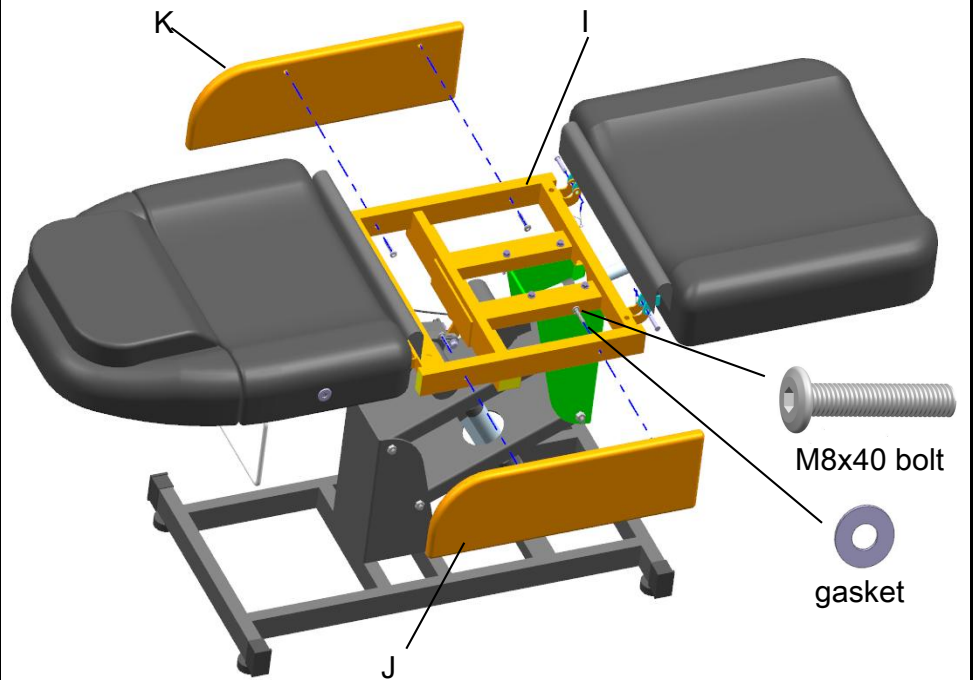


pin
Cotter pin

Note: pin shaft is installed on one side first and then on the other side which is convenient for installation

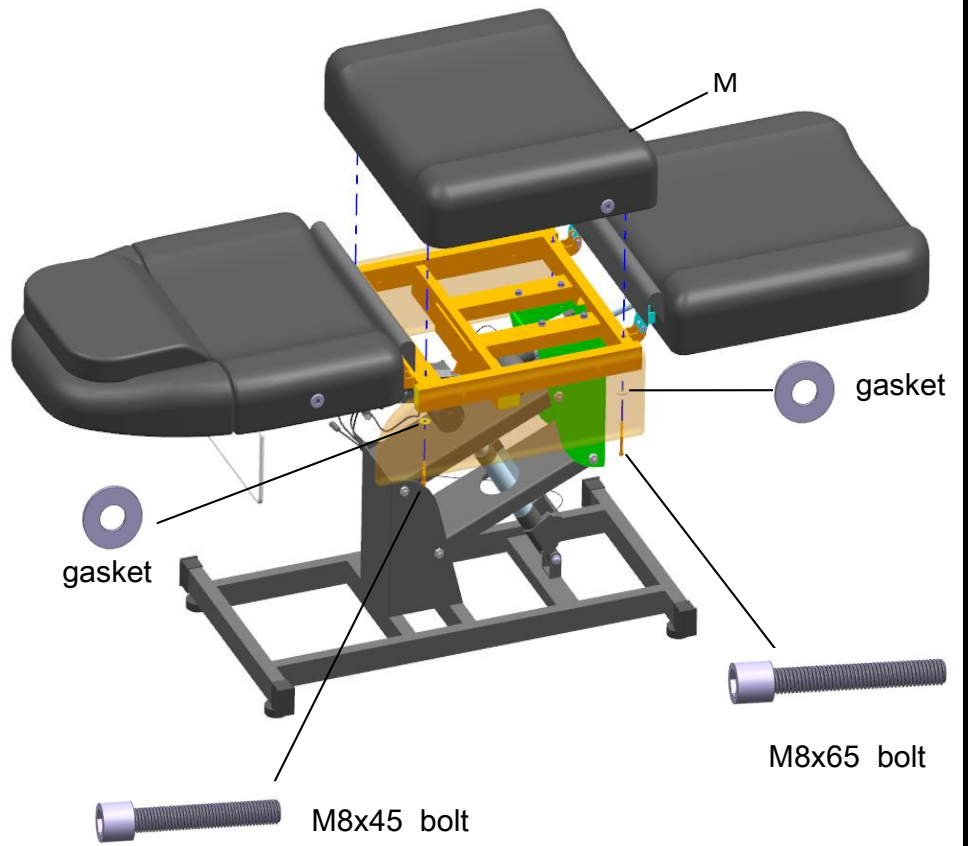
Sixth: install side panels

Step 1: Install K, J on I
Please follow the chart on the side



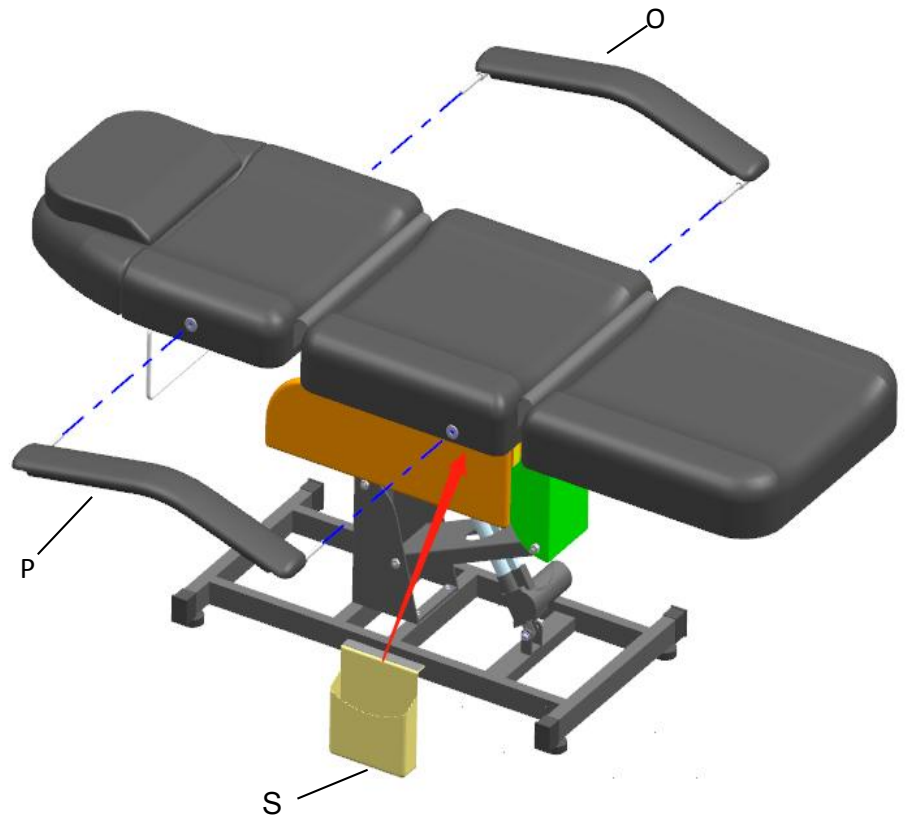
Seventh: Install M

Please follow the chart on the side



Eighth: Install handrails

Please follow the chart on the side



OPERATING THE CHAIR

- Lift the chair**
- Connect the power plug to the power supply
 - Press the Up button to lift
 - Press the button to lower the chair to the desired height.
 - Don't overstretch your chair. A person should not weigh more than 150kg, otherwise there is a risk of falling or tipping the chair and user, resulting in injury
- Backrest leg adjustment**
- Adjust the handle button so that the backrest can be raised or lowered.
 - Adjust handle buttons to block leg lift.
- "

