

Omy Salon

Barber Chair

Model: BC1201



SAFETY

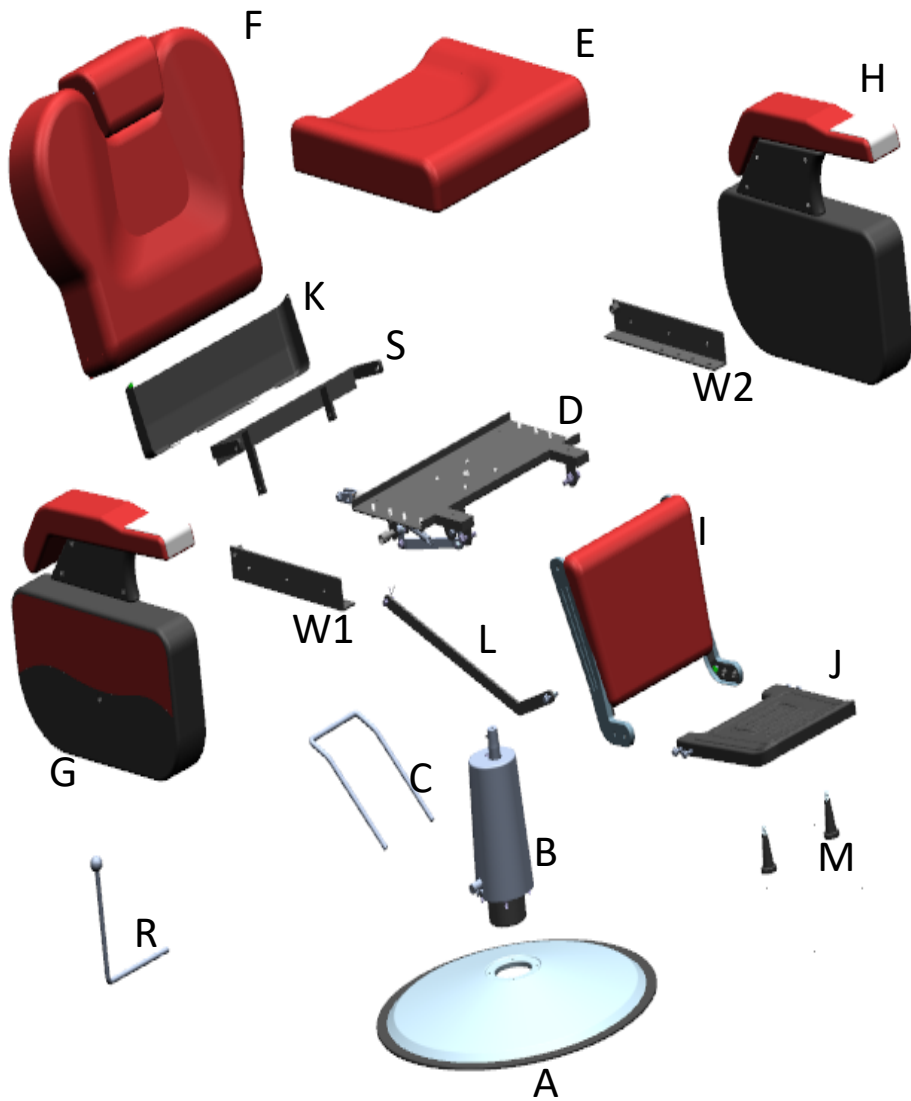
To reduce risk of injury when assembling & using the chair, please follow these precautions:








Read all of these instructions before assembling and using your salon chair. It is helpful to have 2 people assemble and turn the chair upright after assembling.

Do not over-extend the chair (weight capacity 150 kg), otherwise it may cause the risk of falls or tipping the chair, and its occupant over, resulting in injury.

Tools you will need (not included): wrench, rubber mallet, screwdriver (phillips).

Part List



- N  Thread Bolt x 4
- O  Nut x 4
- P  Screw x 2
- Q  Washer x 2
- U  Pan Head Screw x 4
- T  Allen Wrench
- V  Fixing Bolt of pump

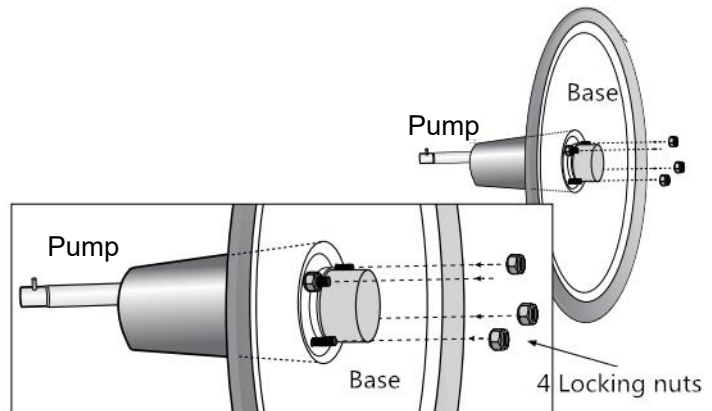
Part Code	Part Name	Number	Part Code	Part Name	Number	Part Code	Part Name	Number
A	Base	1	G	Right Handrest	1	M	Foot Rest Support	2
B	Hydraulic Pump	1	H	Left Handrest	1	R	Reclining Lever	1
C	Foot Bar	1	I	Leg Rest	1	S	Backrest iron	1
D	Seat Plate	1	J	Foot Rest	1	W1	Angle iron1	1
E	Seat	1	K	Back Cover	1	W2	Angle iron2	1
F	Backrest & Headrest	1	L	Stabilizer Bar	1			

Installation Instruction

First: Attach hydraulic pump to base

- Parts Needed: Base + Pump + 4 Locking Nuts + Wrench

Step 1. Insert threaded bolts on bottom of pump into holes on top of Base. Tighten 4 locking nuts onto threaded bolts (Easiest when set on side, supported by a sturdy object.)

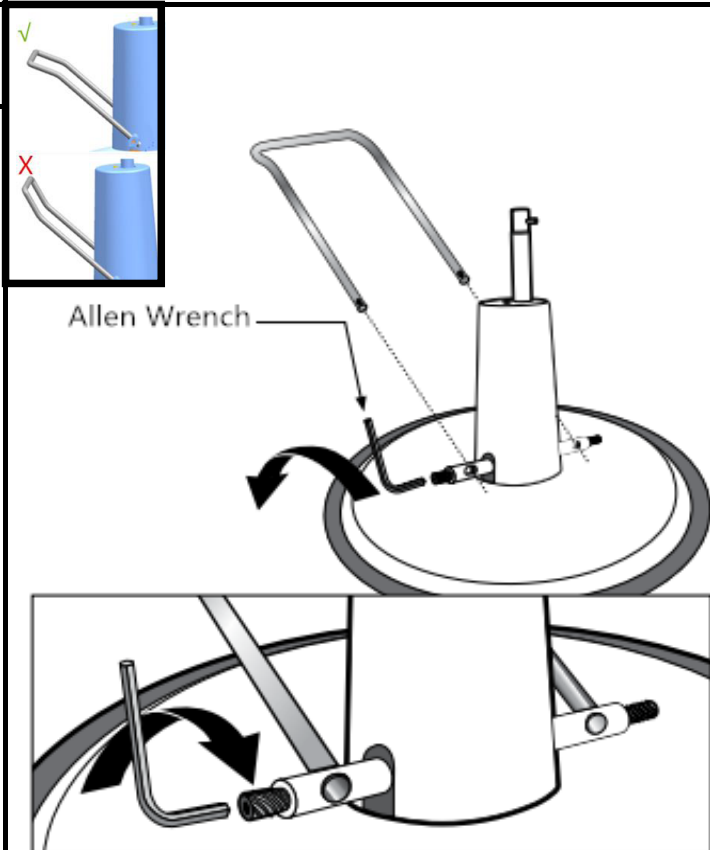


Second: Attach foot bar to assembled hydraulic pump & base

- Parts Needed: Foot Bar + Assembled Base & Pump + Allen Wrench

Step 1. Place assembled base & pump on floor. Use Allen wrench to loosen set screws in the crossbar. This prevents set screws from obstructing entry of foot bar. Insert foot bar into the holes of crossbar. (May require slightly squeezing ends of foot bar towards each other, and some maneuvering for the bar ends to go into place.)

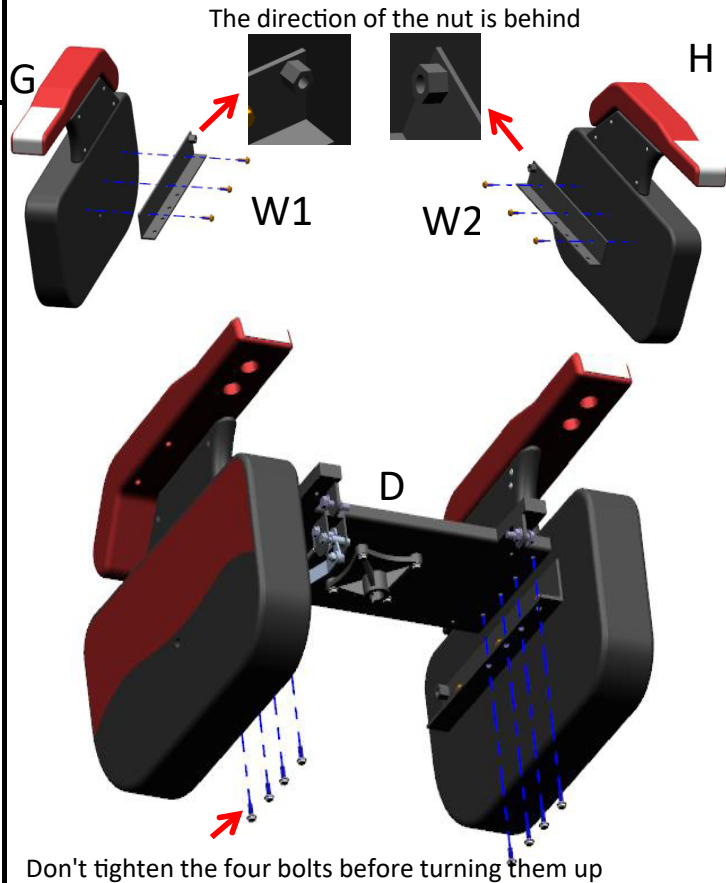
Step 2. Tighten the set screws to firmly hold the foot bar in place.



Third: Attach the left and right handrest to the seat plate

Step 1. Install the angle iron on the handrest first

Step 2. Install handrest on the seat plate.



Fourth: Install the reclining lever

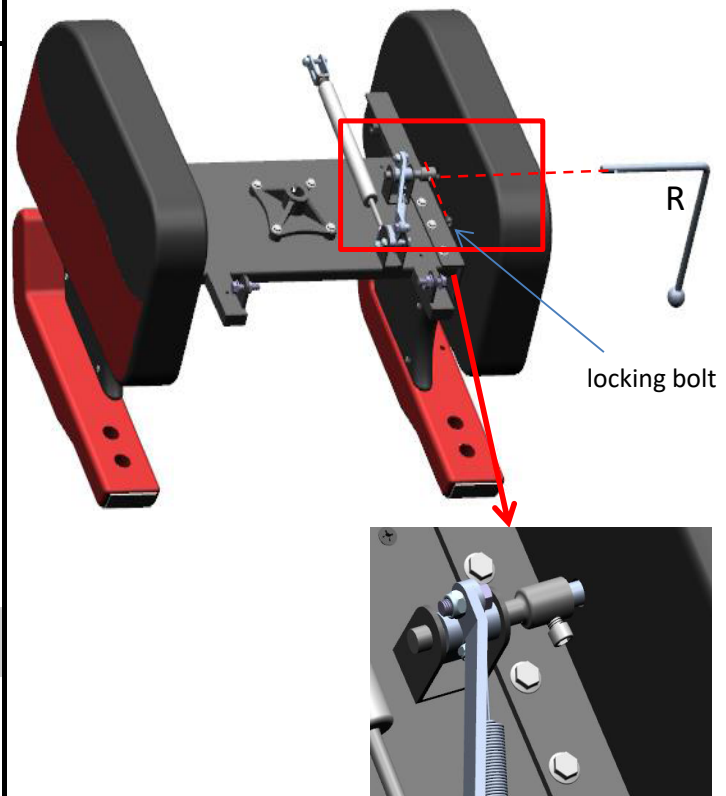
Step 1. Remove pre-fitted locking bolts and locking nuts

Step 2. Pass the reclining lever through the corresponding hole in the right handrest and aim at the corresponding hole in the seat plate

Step 3. Lock with the lock bolt and the lock nut

Pay attention to the direction of reclining lever.

After installing the rocker, tighten the four screws shown above

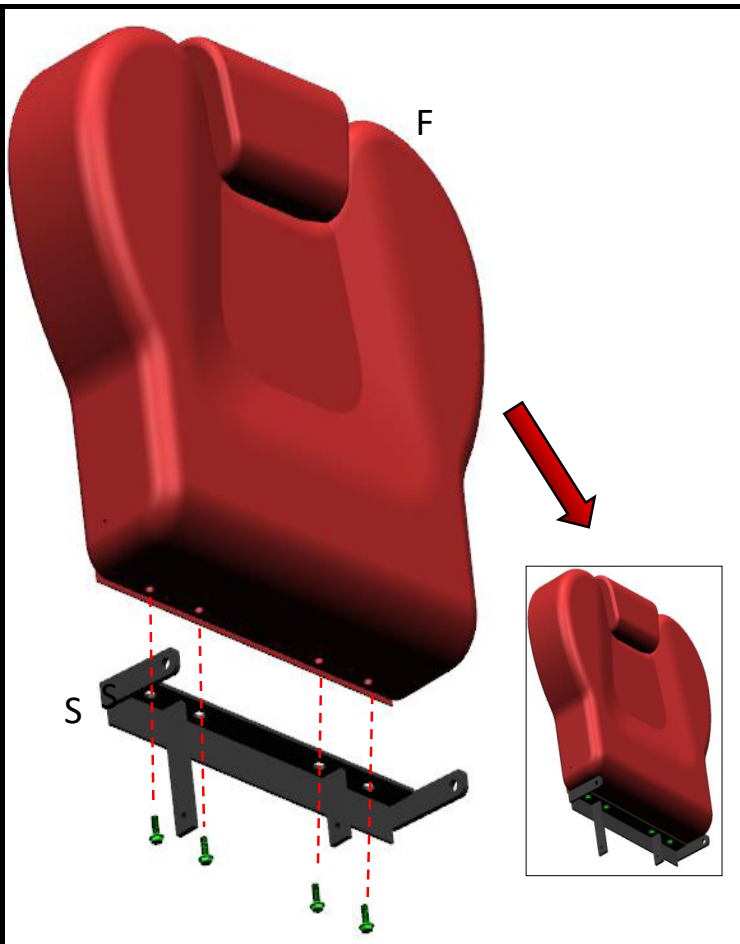


Fifth: Install backrest iron

Step 1. Remove the pre-installed screws

Step 2. Position the backrest iron

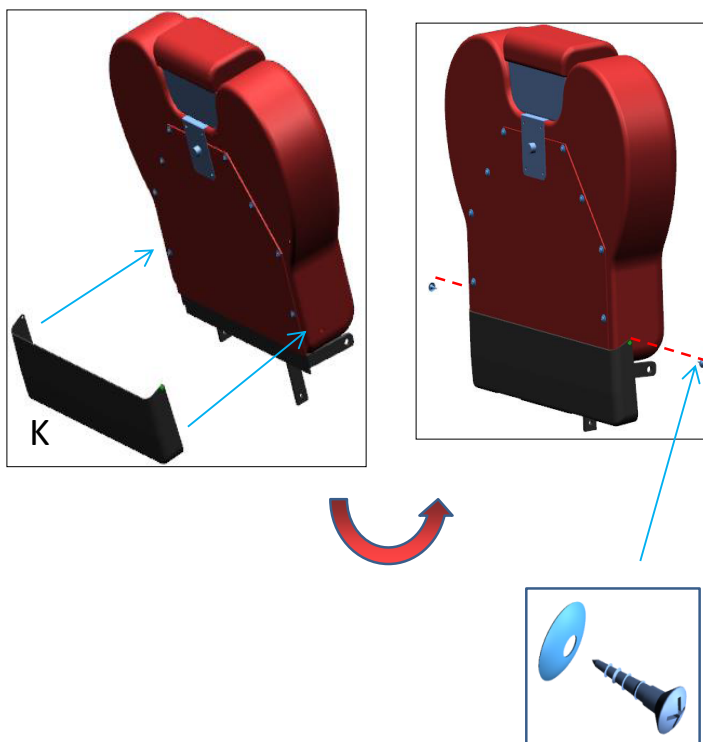
Step 3. Install the backrest iron . Please follow up the icon next to the operation



Sixth: Install back cover

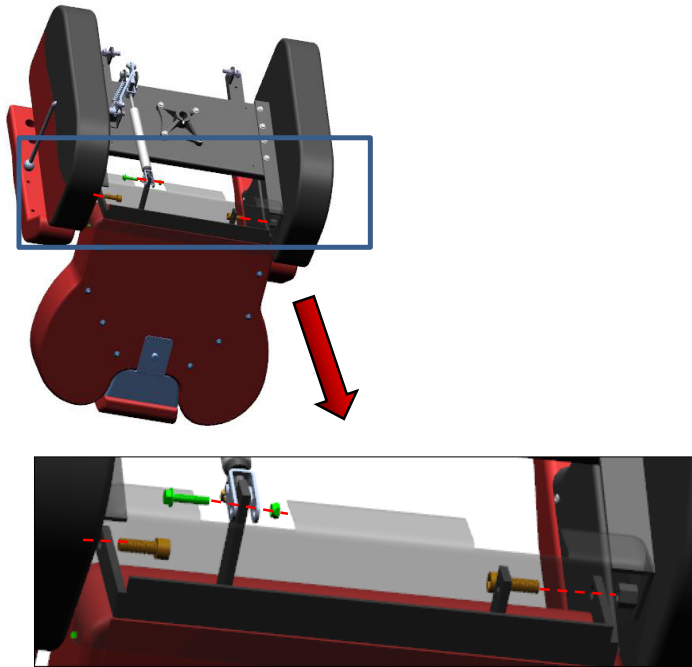
Step 1. Place the back cover on the bottom of the back

Step 2. Fasten with screws to gasket



Seventh: Install the backrest onto the seat cushion

- Step 1.** Remove the two pre-installed hexagon socket screws and connect the backrest to the cushion
- Step 2.** Remove the pre-installed screws and nuts, and install the air rod on the backrest iron



Eighth: Install the seat and backrest on the hydraulic pump and base

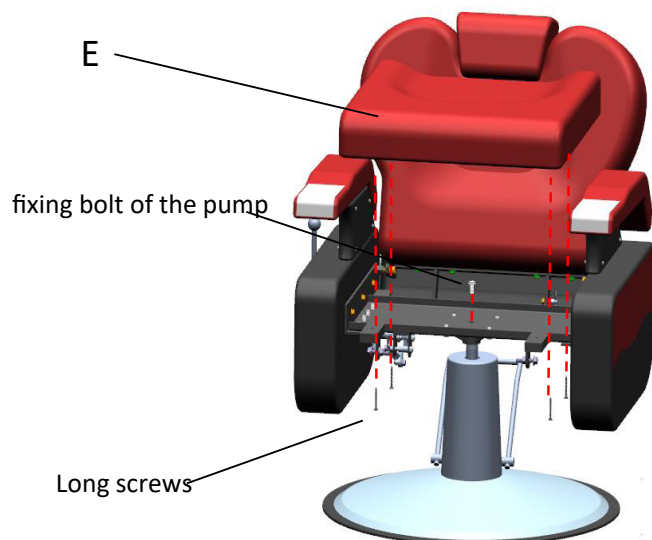
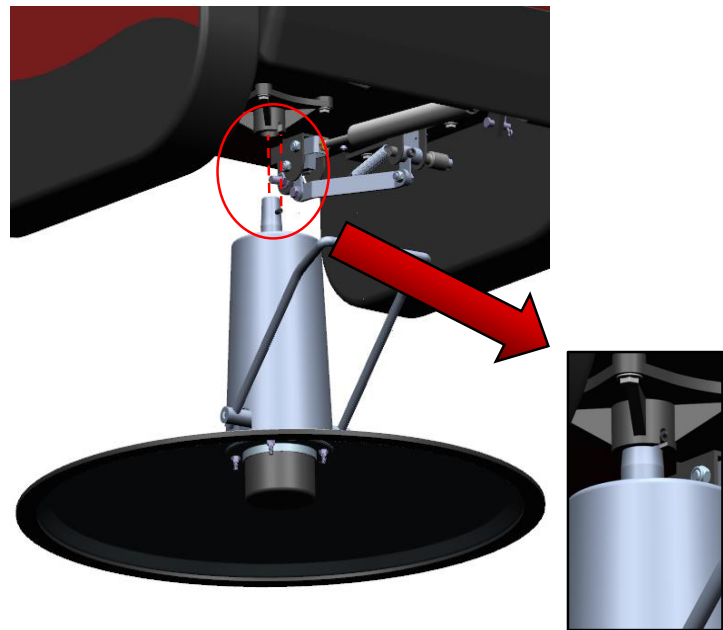
- Parts Needed: Assembled Seat & Backrest + Assembled Hydraulic Pump & Base + Fixing bolt of the pump + 4 long screws .

Step 1. Locate the slot in the short column under the Seat. Align this slot with the black pin at the top of hydraulic pump.

Step 2. Set assembled seat & backrest onto assembled hydraulic pump & base and press down.

Step 3. Fix the pump by the fixing bolt (or fixing bolt and washers)

Step 3. Fix the seat by the 4 long screws



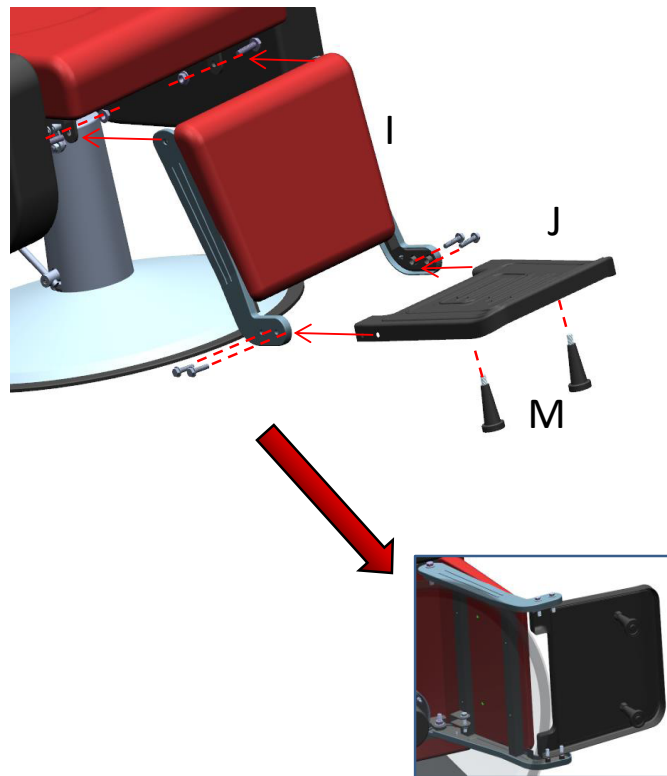
Ninth: Install leg rest and foot rest

- Parts Needed: Assembled Chair + Leg-rest + Footrest + 6 Bolts + 6 Nuts

Step 1. Attach Leg-rest to Brackets under front of Seat.

Step 2. Attach Footrest to Leg-rest.

Step 3. Attach Footrest Supports to Footrest.



Tenth: Install stabilizer bar

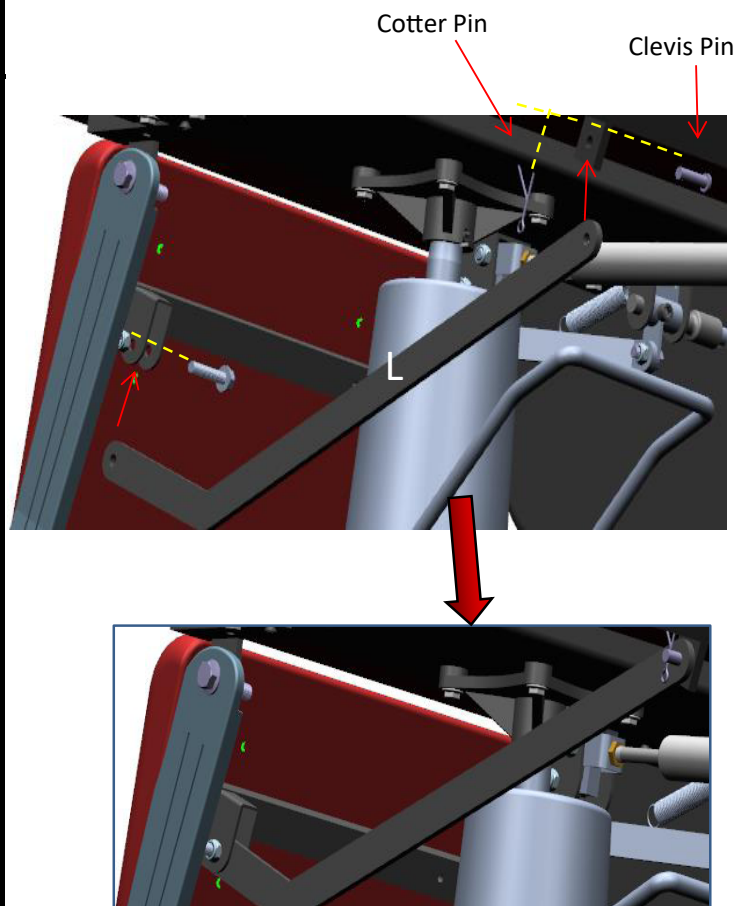
- Parts Needed: Assembled Chair + Stabilizer Bar + Clevis Pin + Cotter Pin + 1 Bolt + 1 Nut

Step 1. Attach longer end of stabilizer bar to backrest

Step 2. Attach shorter end of stabilizer bar to leg rest

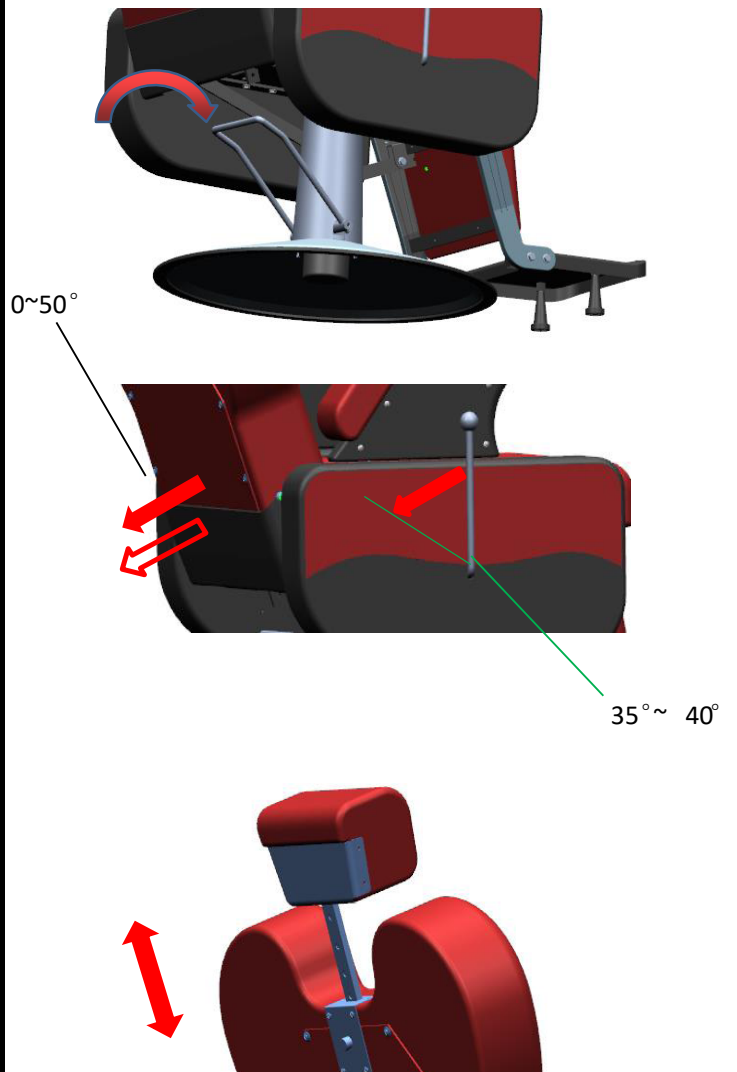
Backrest must be fully reclined to attach Stabilizer Bar.

Pay attention to the direction of stabilizer bar.



Operation

- Step down on the foot bar repeatedly to raise the chair to the desired height.
- Do not over-extend the chair, creating the risk of falls or tipping the chair and its occupant over, resulting in injury
- Step down and hold the foot bar to allow chair to lower.
- Push the lever backwards (35°~40°) and push the backrest to back. The backrest will tilt backwards; loosen the lever to get the tilt degree of backrest; Turn the lever again backwards (35°~40°), the backrest can Back to the original position. Don't push lever too hard. It'll break lever.
- Press the button on the chrome plate and pull up to raise the headrest or



EMAIL



WEBSITE



IMPORTANT

support@omysalon.com

www.omysalon.com

Any questions please feel free to email us with order ID included so that we can better help you.