

OMYSALON BARBER CAHIR

model:BC1401-B



Visit our website : www.omysalon.com

For missing parts or questions : email us at support@omysalon.com

SAFETY

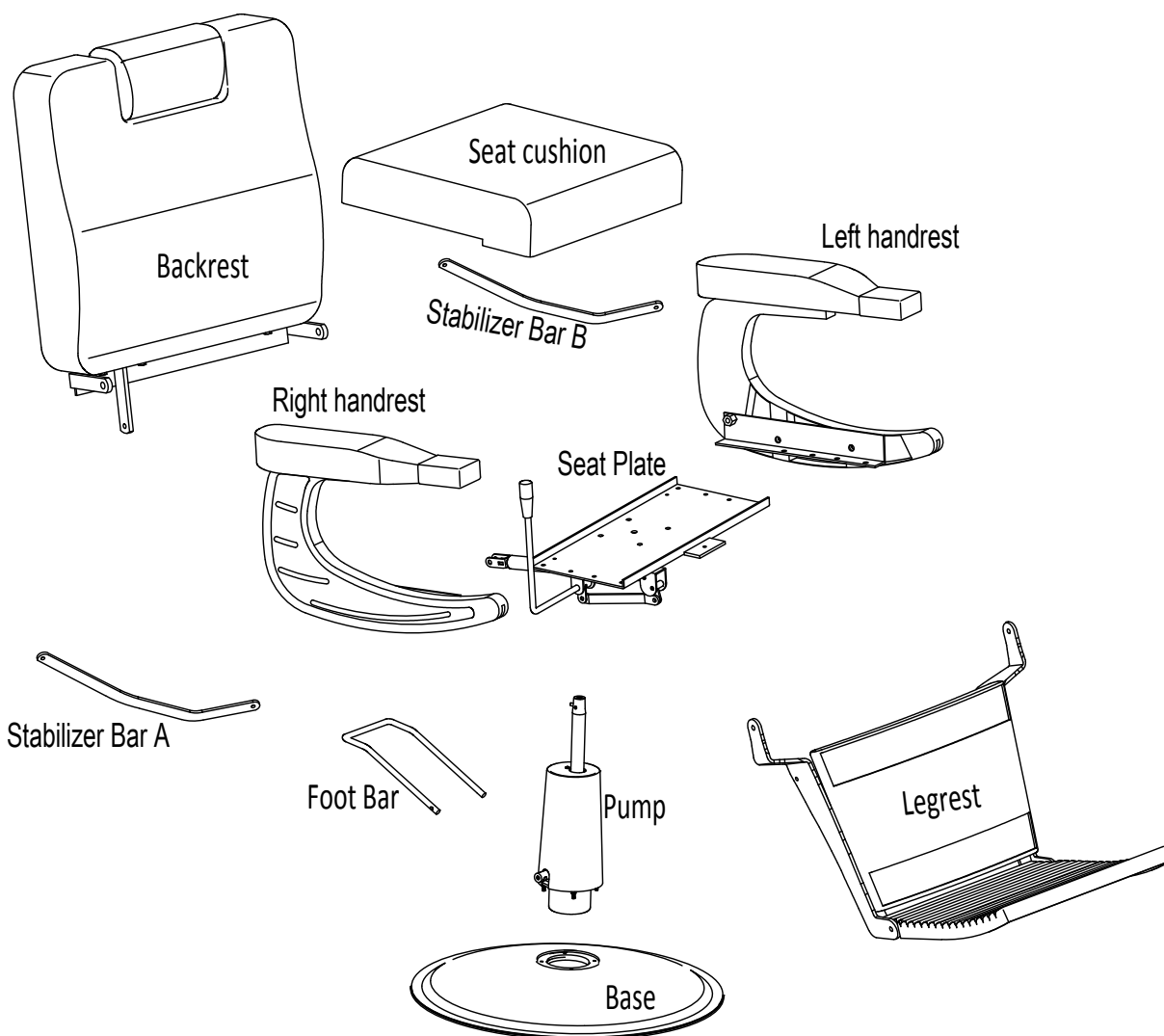
To reduce risk of injury when assembling & using the cabinet, follow these precautions:

- . Read all of these instructions before assembling and using your salon cabinet.
- . It is helpful to have 2 people assemble and turn the chair upright after assembling.
- . Do not over-extend the chair and weight of person cannot exceed 150kg, creating the risk of falls or tipping the chair, and its occupant over, resulting in injury

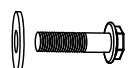
OTHER ITEMS YOU WILL NEED (not included)

- . Hand Tools:Wrench,Rubber Mallet,Screwdriver (Phillips) ,Sturdy box


PARTS & FEATURES



 Footrest support X2

 Bolt + Shim X1

 Locking Nut X4

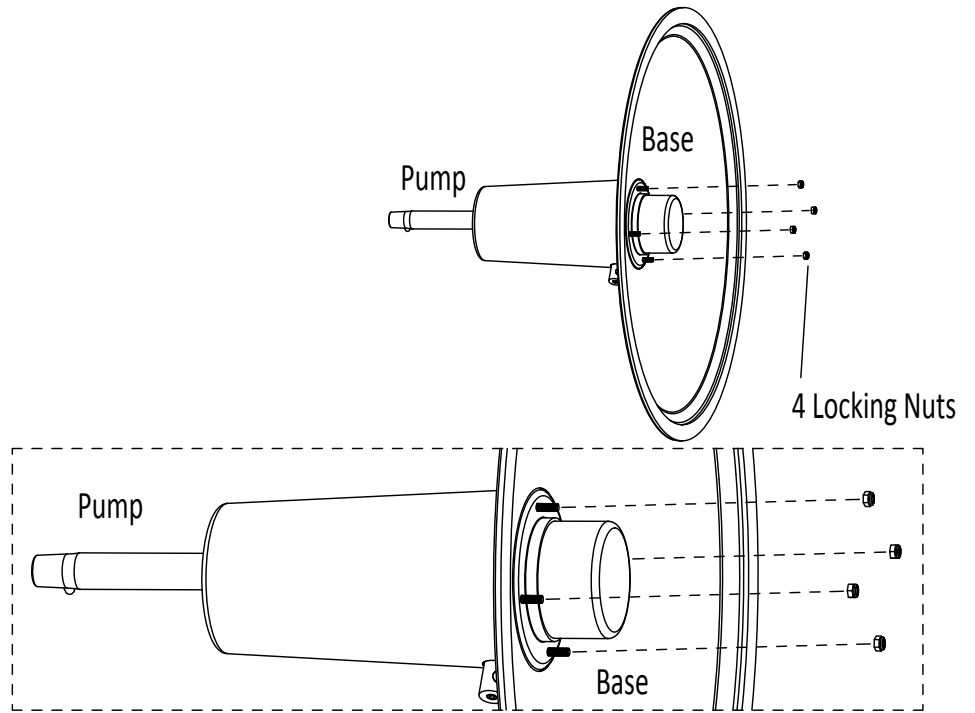
 Screw X3

 Allen wrench X1

Installation instruction

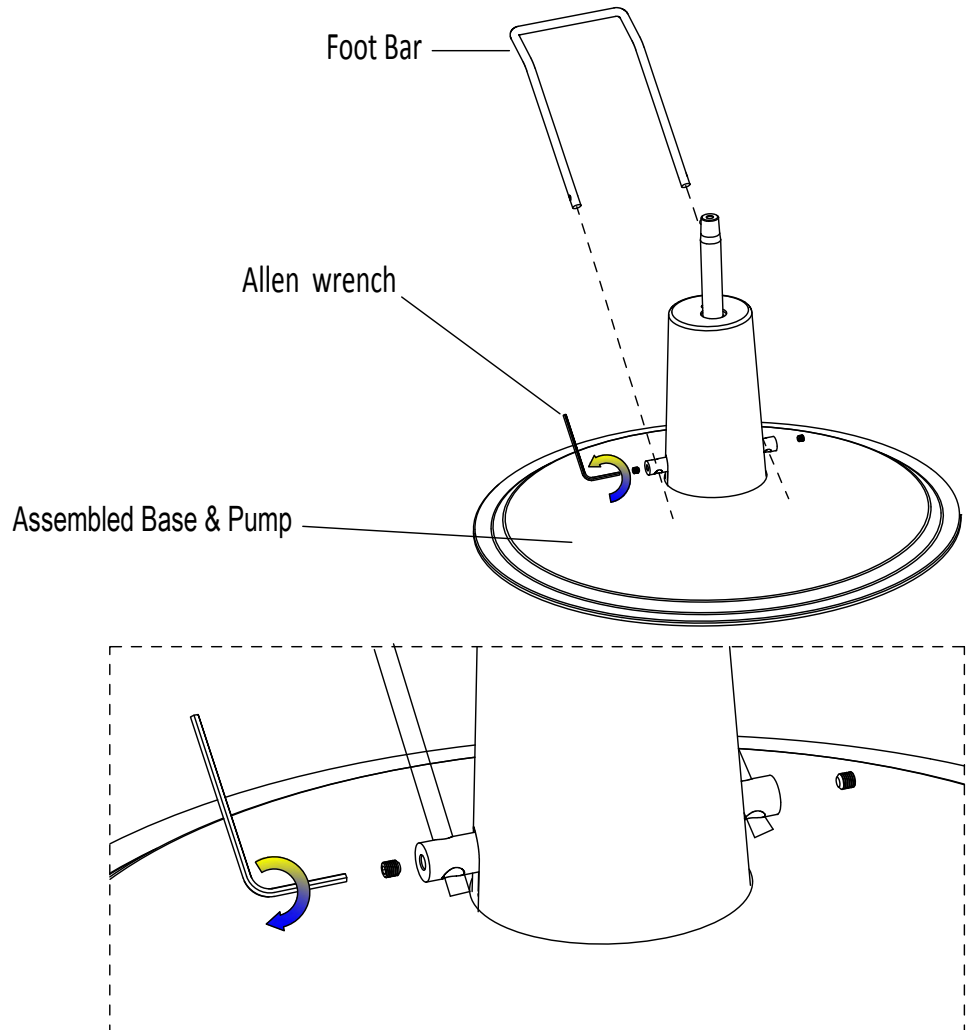
FIRST: Attach Hydraulic Pump to Base

Step 1. Insert threaded bolts on bottom of Pump into holes on top of Base. Tighten 4 locking nuts onto threaded bolts.
(Easiest when set on side, supported by a sturdy object.)
Please follow up the diagram beside.



SECOND: Attach Foot Bar to Assembled Hydraulic Pump & Base

Step 1. Place assembled Base & Pump on floor. Use Allen Wrench to loosen set screws in the crossbar. This prevents set screws from obstructing entry of Foot Bar. Insert ends of Foot Bar into the holes in the crossbar. (May require slightly squeezing ends of Foot Bar towards each other, and some maneuvering for the bar ends to go into place.)
Step 2. Tighten the set screws to firmly hold the Foot Bar in place.

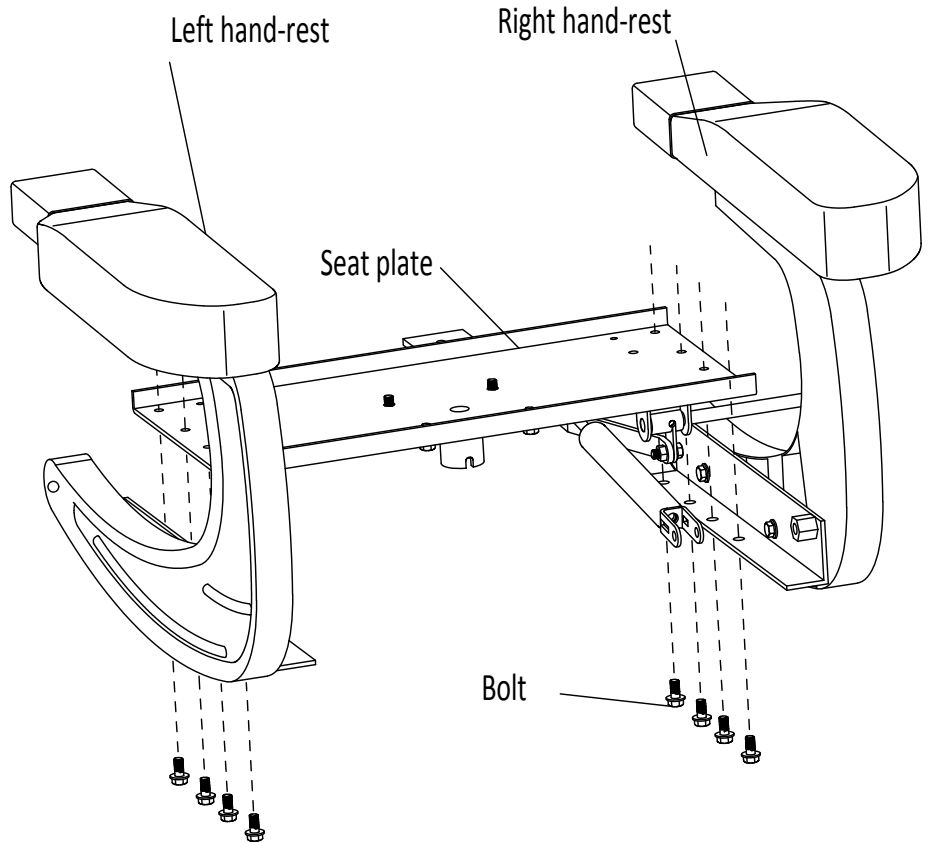


Third : Install hand-rests to the seat plate

Step 1 . Remove 8 bolts which pre-fixed on the seat plate.

Step 2 . Install left hand-rest and Right hand-rest to the seat plate by the 8 bolts which removed from the seat plate.

Please follow up the diagram beside.

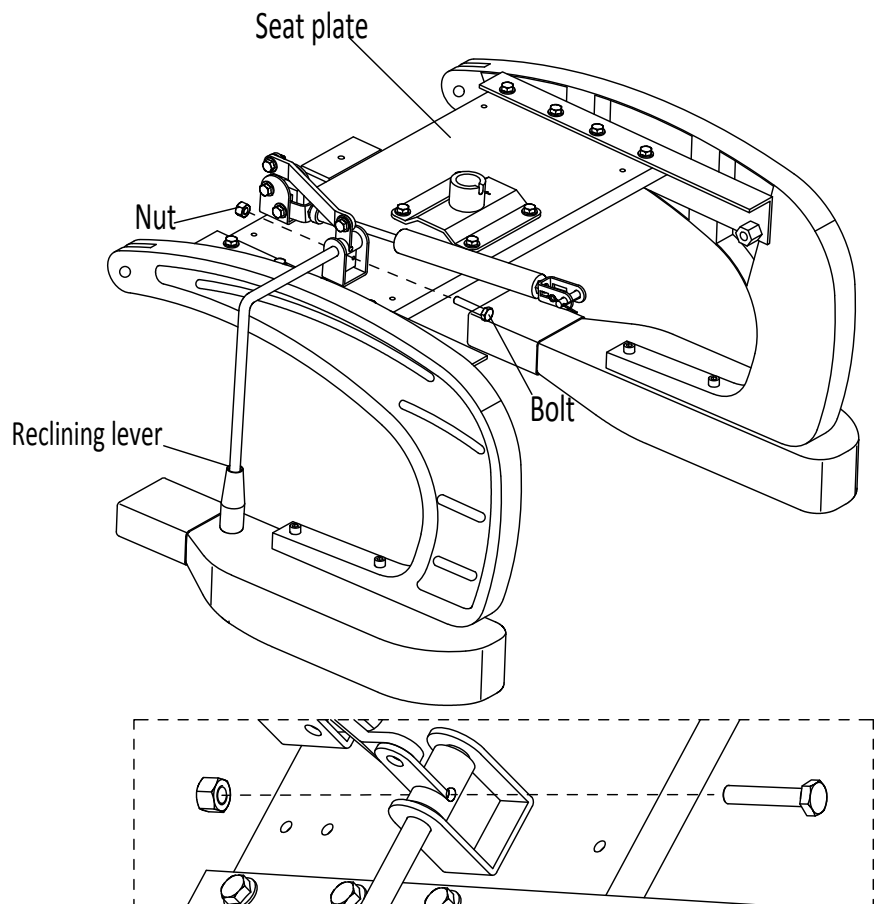


Fourth : Install the Reclining lever to the seat plate

Step 1 .Remove the locking bolt and nut which pre-fixed in the reclining lever,then move the reclining lever to the mounting hole .

Step 2. lock the reclining lever with the locking bolt and nut which removed from reclining lever.

Please follow up the diagram beside.

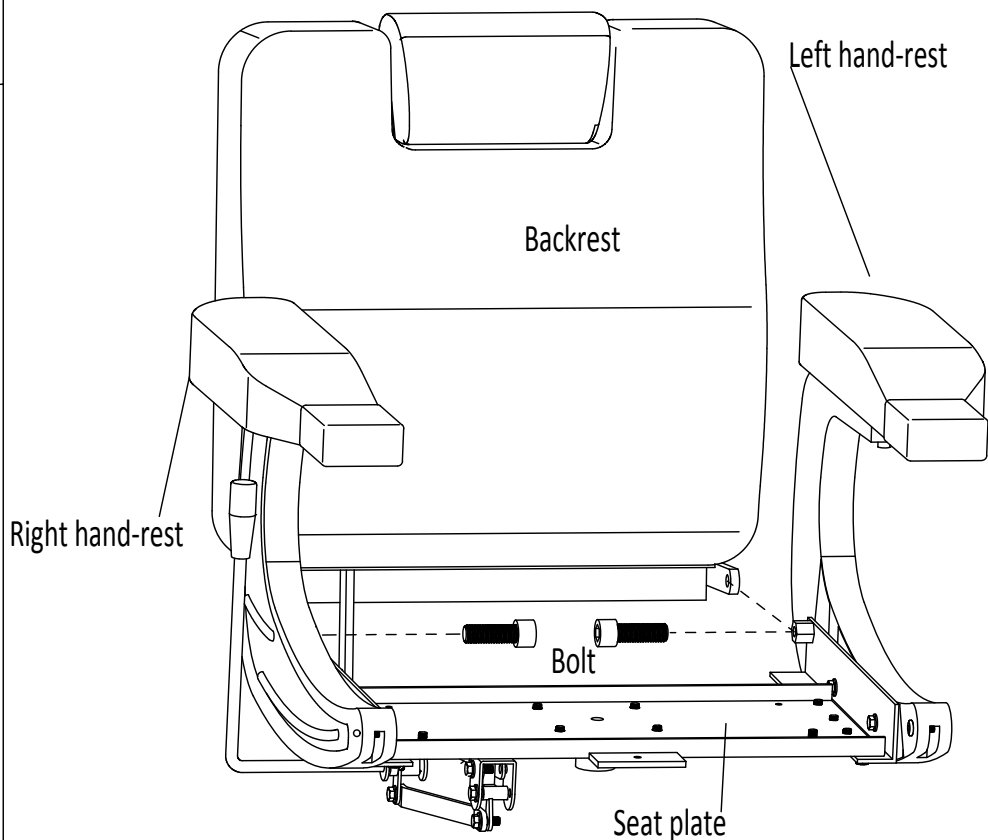


FIFTH : Install Backrest to the seat plate

Step 1 . Remove 2 bolts which pre-fixed in the hand-rests .

Step 2 . Install the backrest to the hand-rests by the 2 bolts which remove from the hand-rests.

Please follow up the diagram beside.

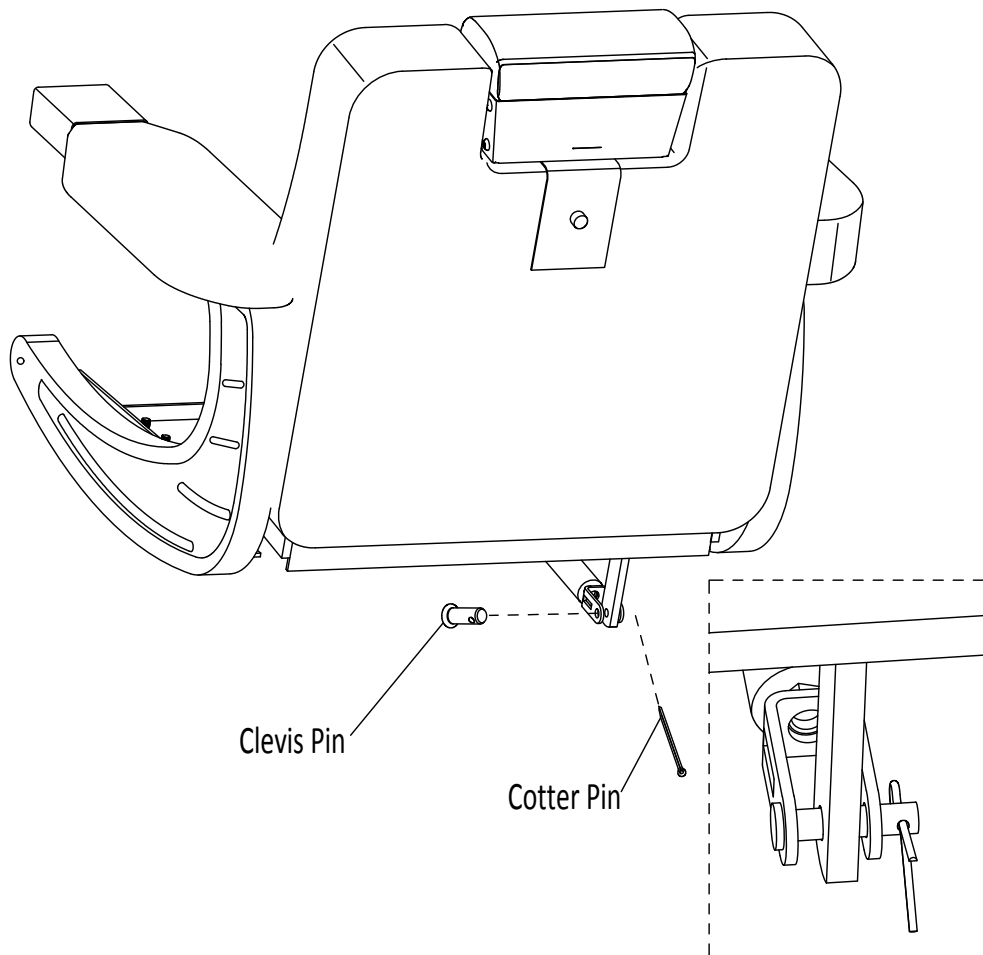


SIXTH : Install reclining cylinder

Step 1. remove the Clevis Pin and Cotter Pin which pre-fixed in the backrest

Step 2. Connect reclining cylinder U-shap with backrest iron by giving Clevis Pin and Cotter Pin .

Please follow up the diagram beside.

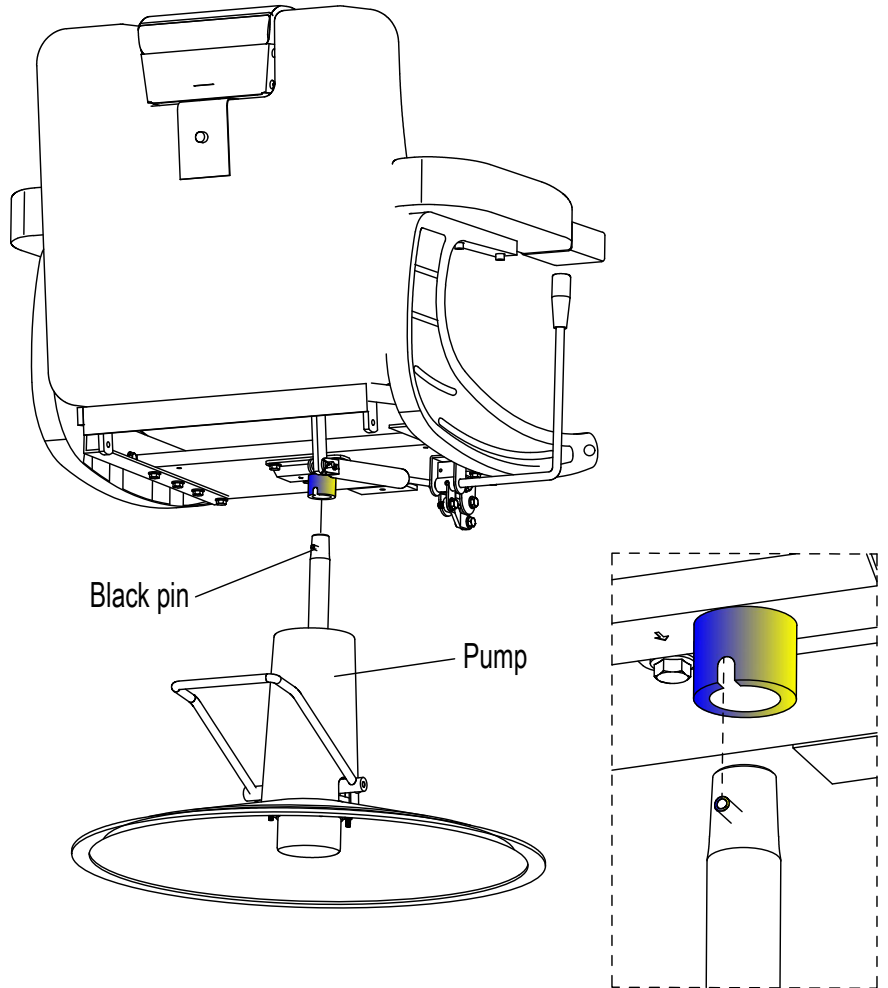


Seventh : Set Seat & Backrest onto Hydraulic Pump & Base

Step 1. Locate the slot in the short column under the Seat. Align this slot with the black pin at the top of hydraulic pump.

Step 2. Set assembled Seat & Backrest onto assembled Hydraulic Pump & Base and press down.

Please follow up the diagram beside.



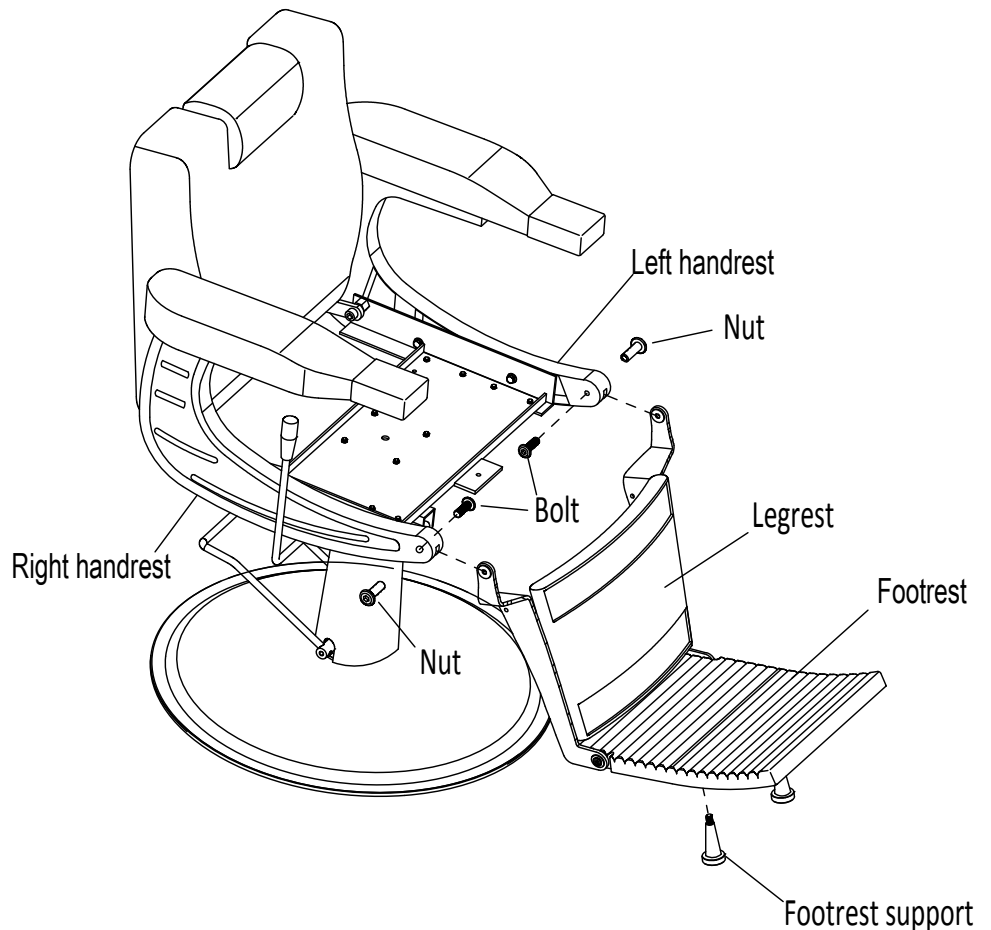
EIGHTH : Install Legrest and Footrest Supports to the Seat

Step 1. Remove 2 bolts and nuts which pre-fixed in handrests .

Step 2. Install legrest to the handrest with 2 bolts and nuts which removed from handrests .

Step 3. Install Footrest Supports to Footrest.

Please follow up the diagram beside.

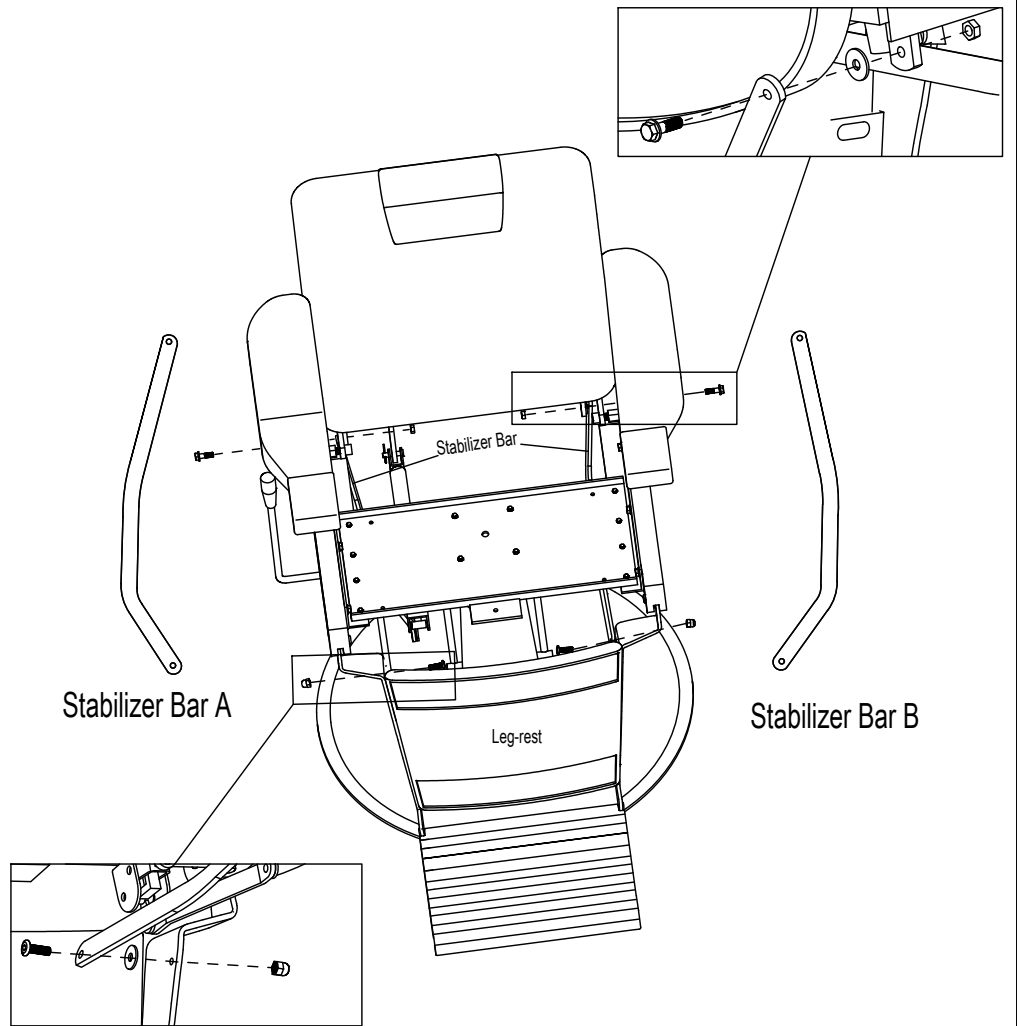


NINTH : Install Two Stabilizer Bar to Backrest and Legrest

Backrest must be fully reclined to match with Two Stabilizer Bar.
Step 1. Install Stabilizer Bar to backrest iron rear in bottom of Seat.
Step 2. Install Two Stabilizer Bar to holes of the back of Leg-rest

Please follow up the diagram beside.

Note: The direction of Two stabilizer bar must be consistent with photo

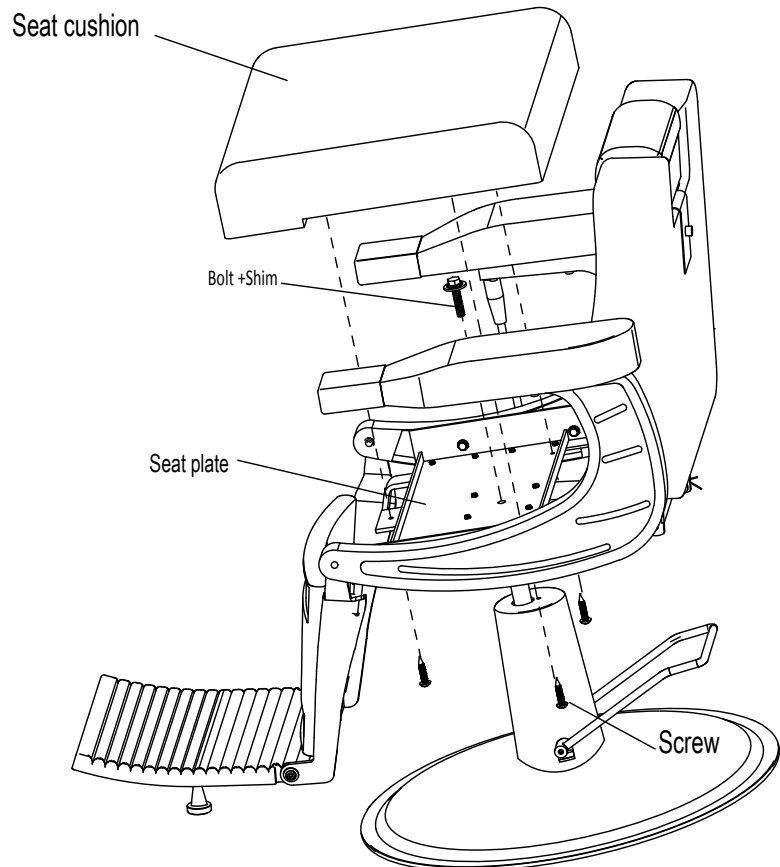


NINTH : Install the seat cushion

Step 1: Fix seat plate to Pump using the Bolt +Shim .

Step 2 .Install the seat cushion to seat plate by 3 Screws .

Please follow up the diagram beside.



Operating the chair

- 1 : Raising and Lowering the Chair
Step down on the Foot Bar repeatedly to raise the chair to the desired height. Do not over-extend the chair, creating the risk of falls or tipping the chair and its occupant over, resulting in injury
Step down and hold the Foot Bar to allow chair to lower.
- 2 : Recline the Backrest and leg-rest
Push Lever on side of chair down/back while the occupant leans back and make the leg-rest up .
Pull lever up/forward to allow Backrest to raise up and make the leg-rest down.
- 3 : Raising and Lowering the Headrest
Press the button on the chrome plate and pull up to raise, or push down to lower the Headrest.
- 4 : Hold up the foot bar to lock the chair .

