

# OmySalon Beauty Bed

Model : SBWP-B

---



Visit our website : [www.omysalon.com](http://www.omysalon.com)

For missing parts or questions : email us at [support@omysalon.com](mailto:support@omysalon.com)



## SAFETY

To reduce risk of injury when installing & using the chair, follow these precautions:

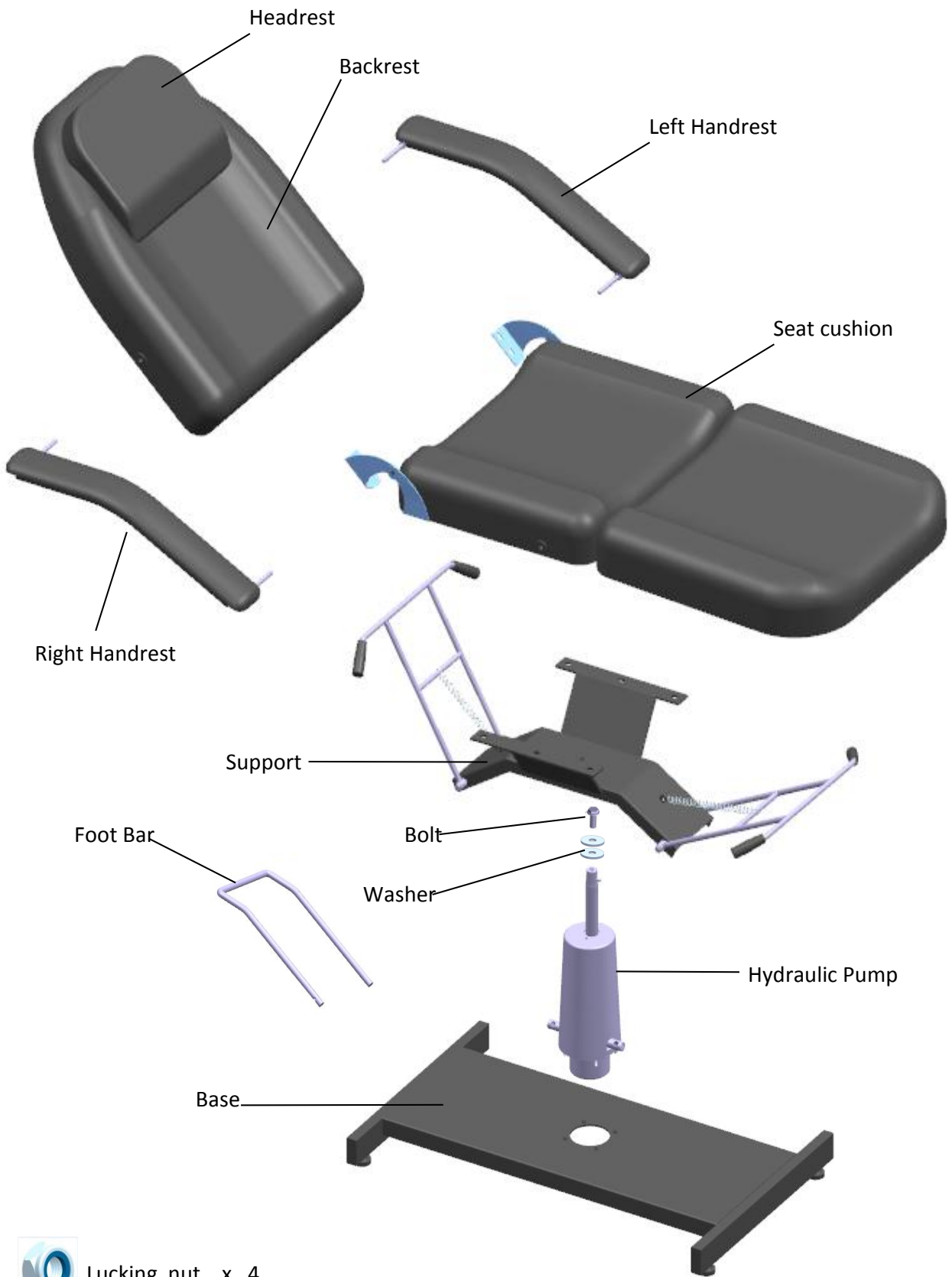
- Read all of these instructions before installing and using your salon chair.
- It is helpful to have 2 people install and turn the chair upright after installing.
- Do not over-extend the bed and The weight of the person should not exceed 150 kg, creating the risk of falls or tipping the chair, and its occupant over, resulting in injury

## OTHER ITEMS YOU WILL NEED (not included)

- Hand Tools:Wrench,Rubber Mallet,Screwdriver (Phillips),Sturdy box

# PARTS & FEATURES

---



Lucking nut x 4

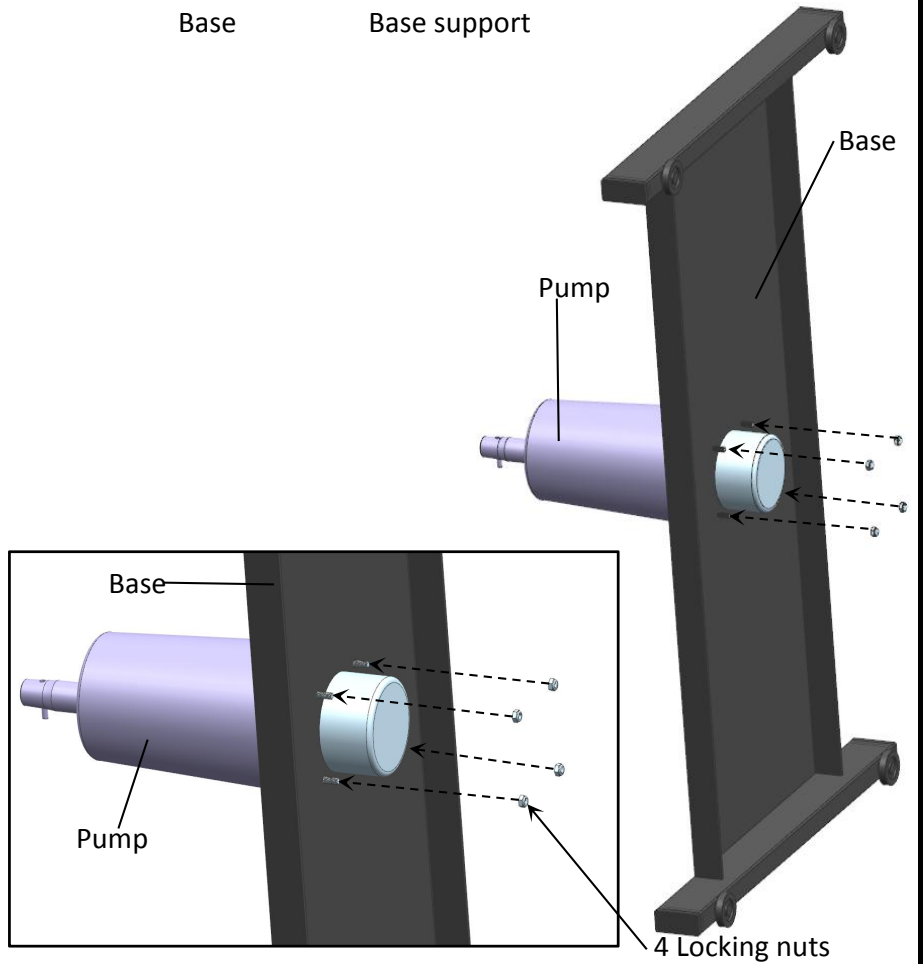


Allen wrench x 1

# Installation instruction

## First : Install Pump to Base

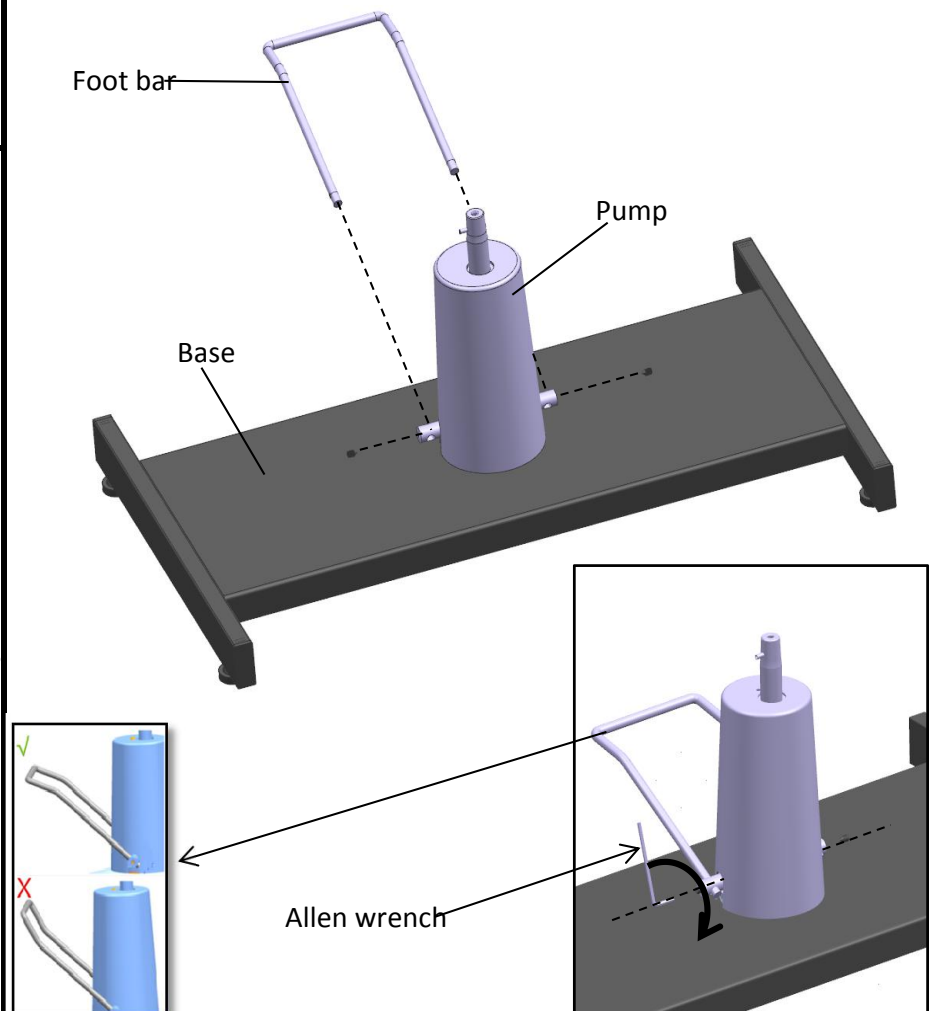
Install pump to base by 4 locking nuts



## Second : Install Foot Bar to Assembled Hydraulic Pump & Base

Step1: Remove 2 screws which pre-fixed on pump.

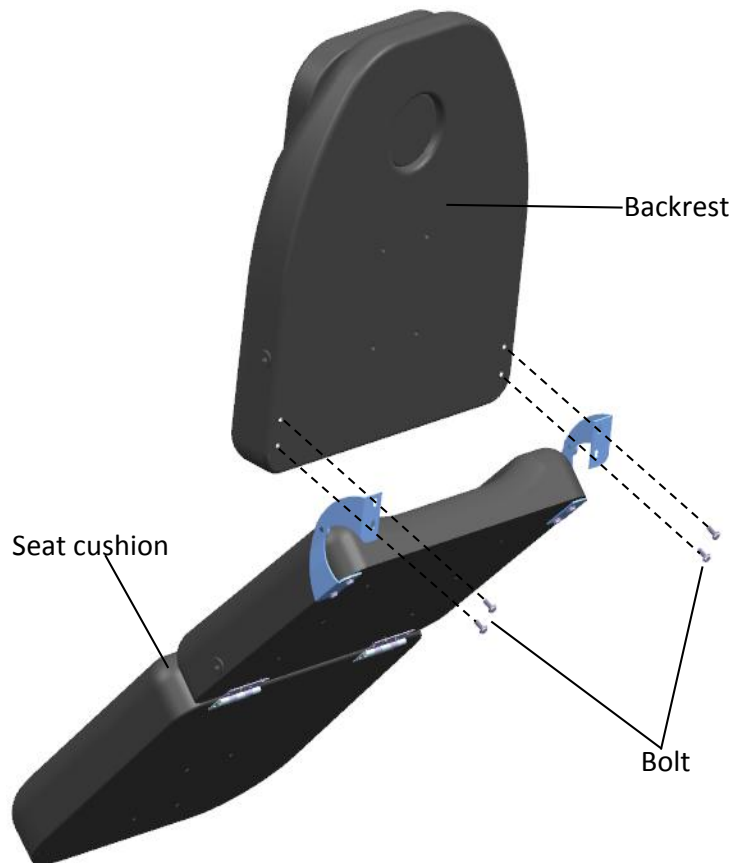
Step2: Install foot bar to pump with allen wrench by 2 screws which removed from pump.



**Third : Assemble backrest to seat cushion**

Step1:Remove 4 bolts which pre-fixed on backrest.

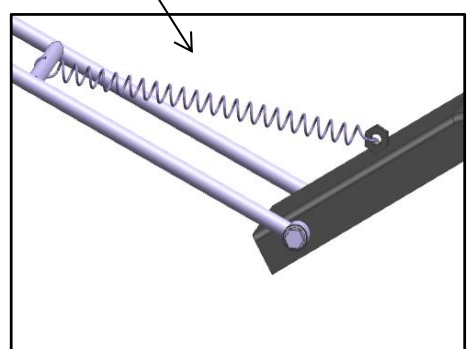
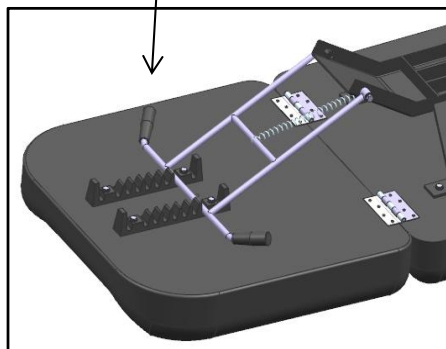
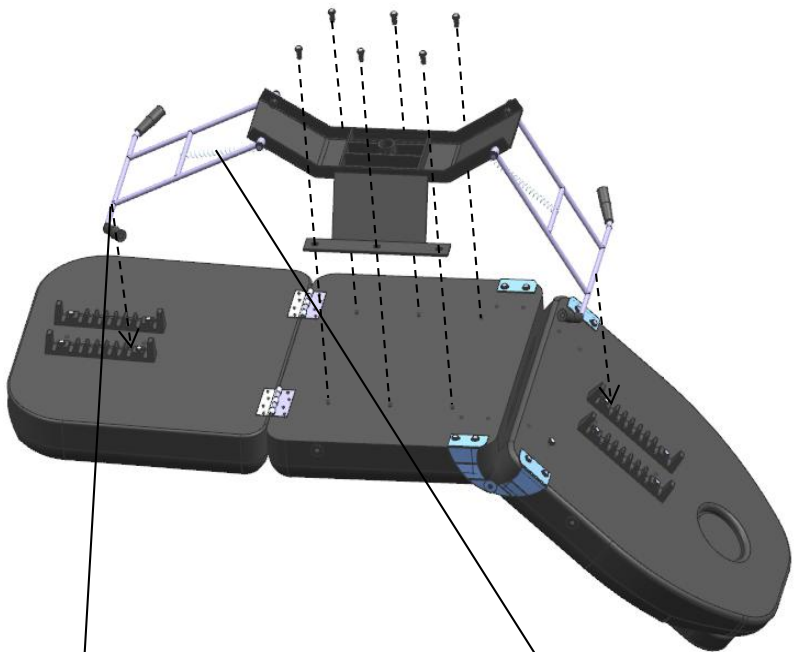
Step2:Install backrest to seat by 4 bolts which removed from backrest.



**Fourth : Install support to Seat cushion**

Step1:Remove 6 bolts which pre-fixed on seat.

Step2:Install support to seat by 6 bolts which removed from seat.



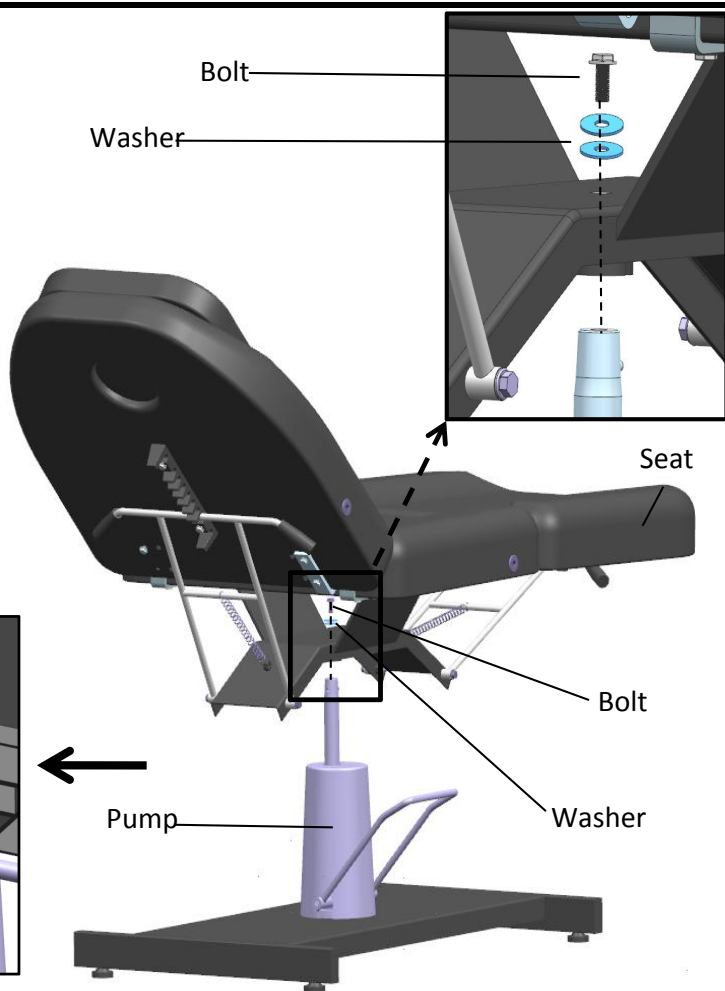
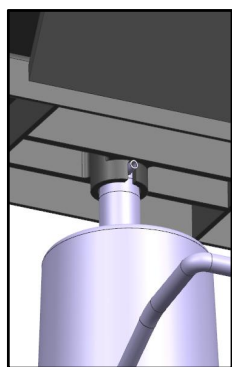
**Fifth : Set Seat & Backrest onto Hydraulic Pump & Base**

• Parts Needed: Assembled Seat & Backrest + Assembled Hydraulic Pump & Base

Step 1: Locate the slot in the short column under the Seat. Align this slot with the black pin at the top of hydraulic pump.

Step 2: Set assembled Seat & Backrest onto assembled Hydraulic Pump & Base and press down.

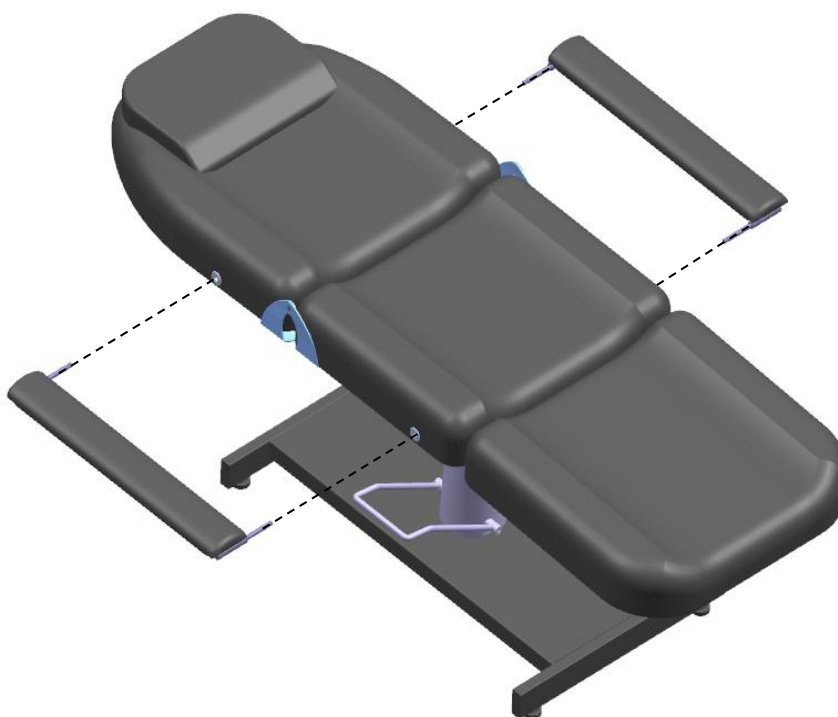
Step 3: Insert threaded bolt through the hole of support into the hole on top of pump. Tighten



**Sixth : Install armrest(F) to the backrest(B) and seat cushion(A)**

1 : putting the chair up right

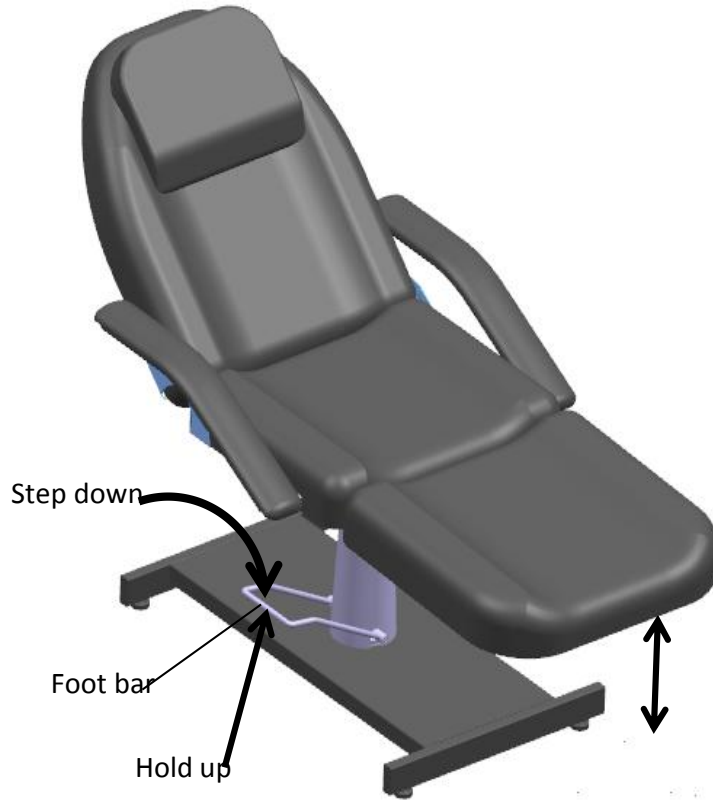
2: Insert two armrests to the holes on each sides of chair, please follow up the diagram besides



## OPERATING THE CHAIR

### Raising and Lowering the Chair

- Step down on the Foot Bar repeatedly to raise the chair to the desired height.
- Do not over-extend the chair, creating the risk of falls or tipping the chair and its occupant over, resulting in injury
- Step down and hold the Foot Bar to allow chair to lower.
- Hold the Foot Bar up to lock the chair .



### Recline the Backrest and the Seat cushion

- Adjusting the two support bars on the support to match the two racks, which can adjust the tilt of the backrest and the Seat cushion.



#### Notice!

- Do not over-extend the chair(0~150kg), creating the risk of falls or tipping the chair and its occupant over, resulting in injury
- When moving the adjustment support rod, it must not exceed the gear on both sides of the rack

