

OmySalon Pedicure Chair

Model # PC-B



ATTENTION! PLEASE READ THESE INSTRUCTIONS BEFORE USING THIS DEVICE

PRODUCT MANUAL



NOTICE: Thanks for your purchase. We hope you love it! If anything we could do better, kindly email us and we ' ll try hard to solve the issue for you.

Email: support@mefeir.com(Please kindly provide order number when you contact us.)

If your package is missing parts or you are having issues with installment, please call us directly. Our customer service team will address any questions or concerns you may have.

Have this manual open and ready for reference

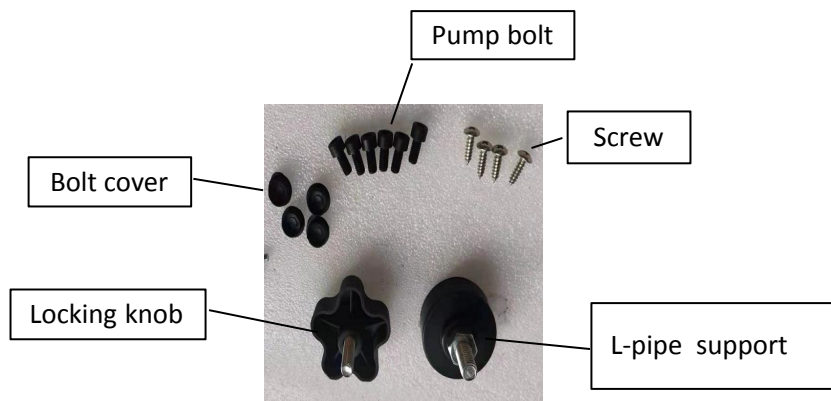
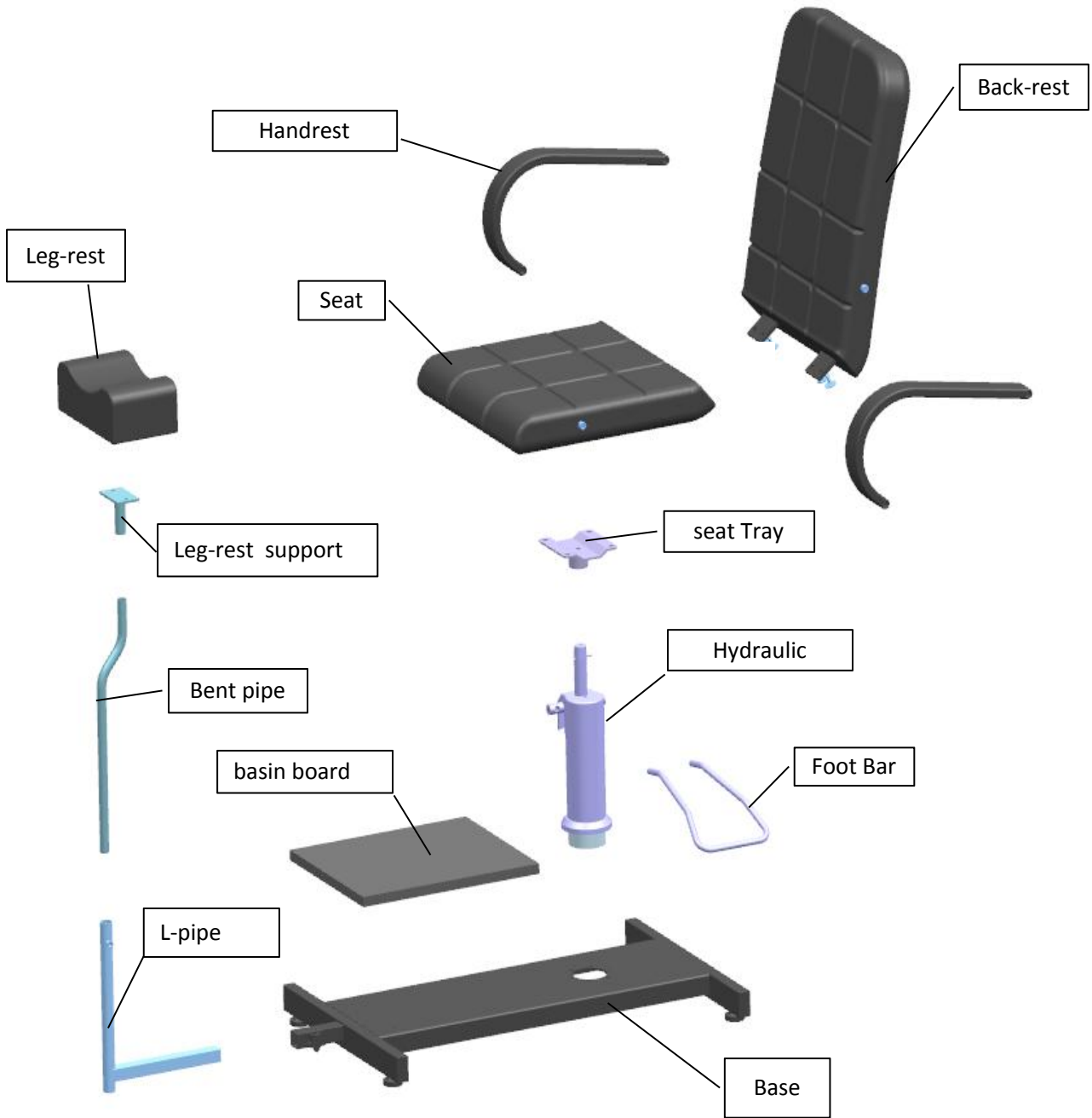


SAFETY

To reduce risk of injury when installing & using the chair, follow these precautions:

- Read all of these instructions before installing and using your chair.
- It is helpful to have 2 people assemble and turn the chair upright after installing.
- **Do not over-extend the chair and the weight of person cannot exceed 150kg, creating the risk of falls or tipping the chair, and its occupant over, resulting in injury**

PARTS & FEATURES



Installation instruction

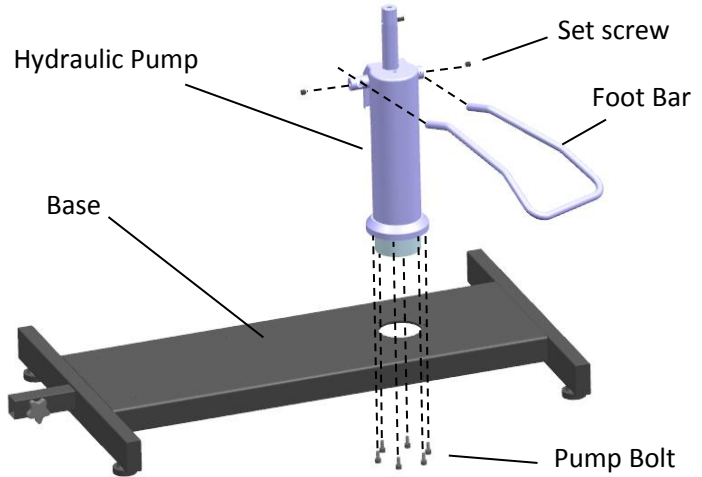
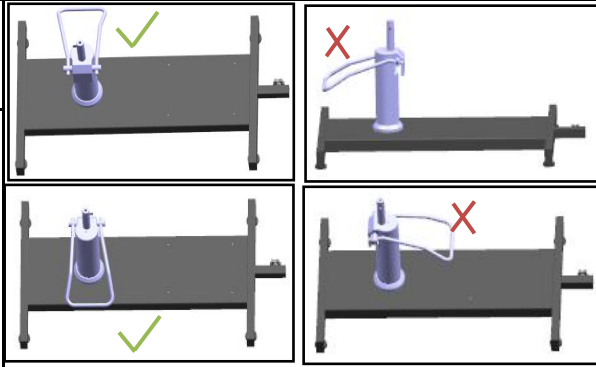
First : Install Pump and foot bar to Base

Step 1. Install the pump to the base by 6 pump bolts .

Step 2. Place Installed Base & Pump on floor. Use Allen Wrench to loosen the set screws in the crossbar. This prevents set screws from obstructing entry of Foot Bar. Insert ends of Foot Bar into the holes in the crossbar. (May require slightly squeezing ends of Foot Bar towards each other, and some maneuvering for the bar ends to go into place.)

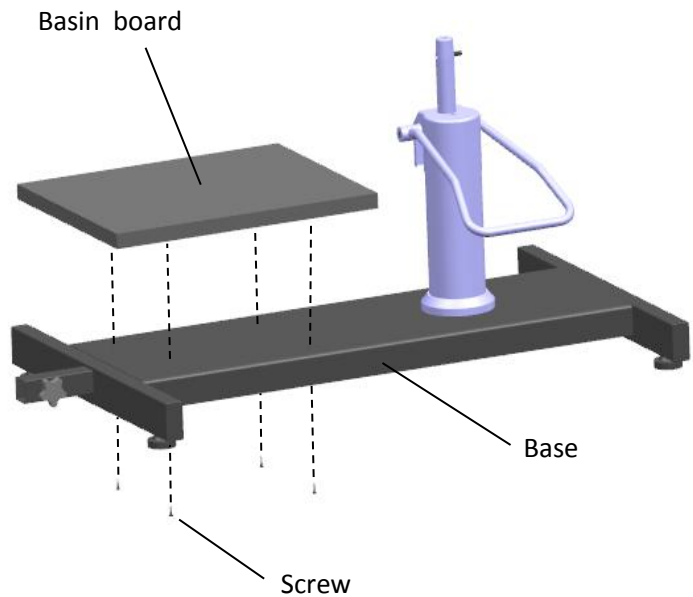
Step 3. Tighten the set screws to firmly hold the Foot Bar in place.

NOTICE: the Foot Bar can only be put on both sides of the base, not front and back



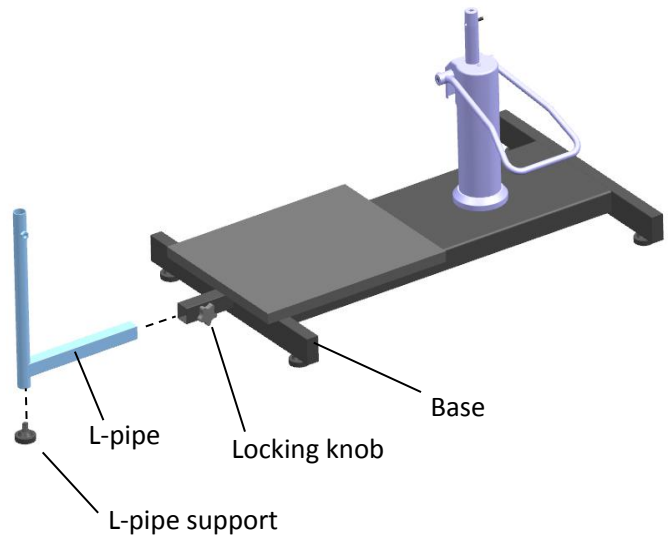
Second : Install basin board to the base

Step 1 : Install basin board to the base by the 4 screws .
please follow up the diagram beside



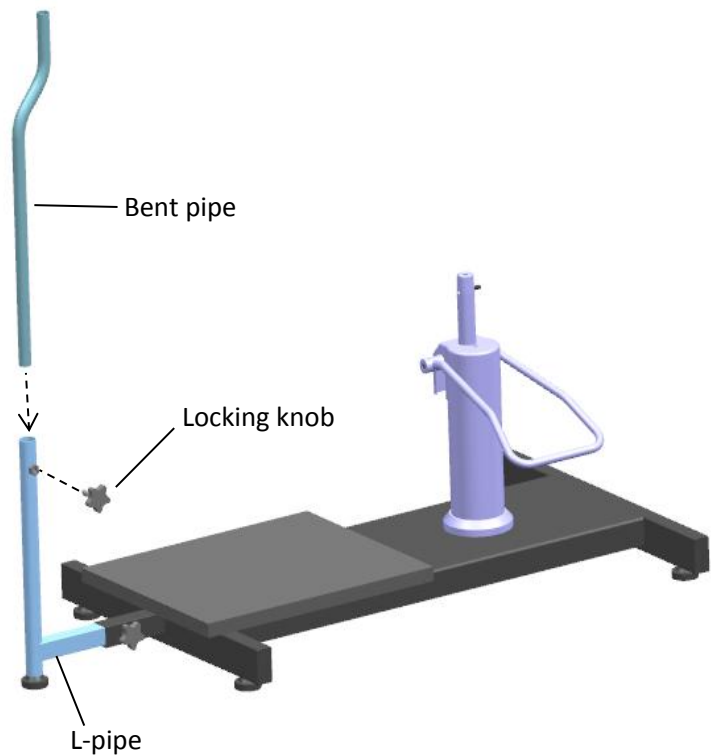
Third : Install L-pipe to the base

Step1 . Loosen the locking knob which pre-fixed in the base .
Step 2 . Insert the L-pipe into the pipe of base and Tighten the locking knob of the base .
Step 3 . Install the L-pipe support to the L- Pipe .
please follow up the diagram beside



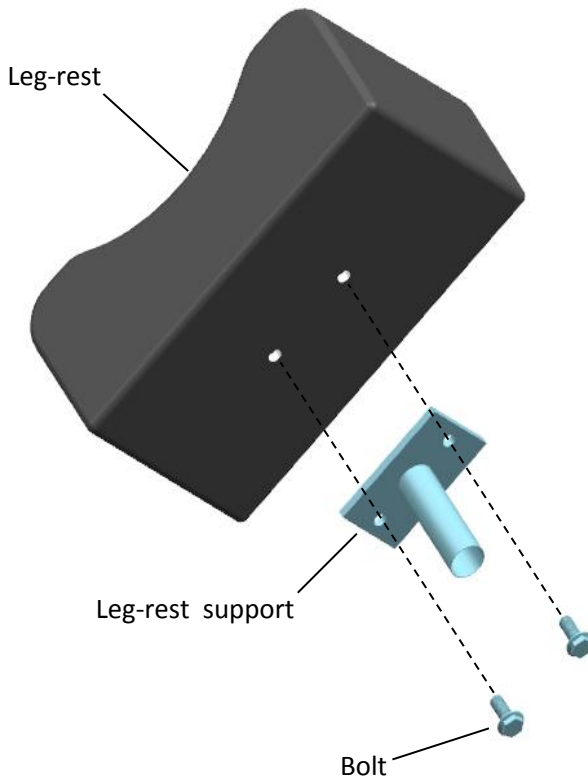
Fourth : Install Bent pipe to the L-pipe

Step 1 . Install the Bent pipe to the L- pipe with the locking knob .
please follow up the diagram beside



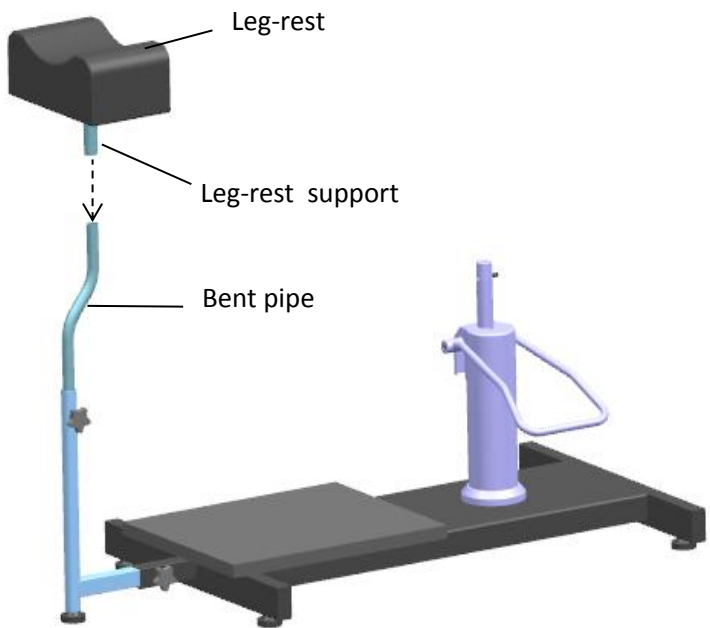
Fifth : Install leg-rest support to the Leg-rest

Step1 . Remove 2 bolts which pre-fixed in the leg-rest .
Step 2 . Install the Leg-rest support to Leg-rest by 2 bolts which removed from the leg-rest .
please follow up the diagram beside



Sixth : Set leg-rest support and leg-rest onto the Bent pipe

Step1 . Set leg-rest support and leg-rest onto the Bent pipe.
please follow up the diagram beside

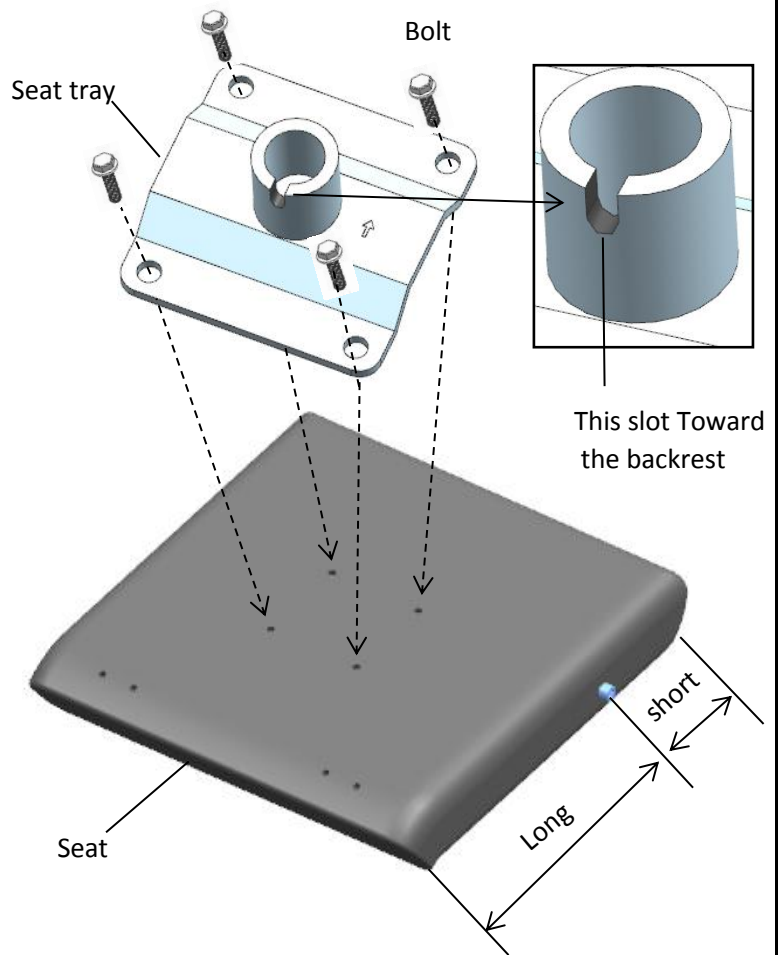


Seventh : Install seat tray and the back-rest to the seat

Step 1 : Remove the 4 bolts that pre-fixed on the bottom of the seat.

Step 2 : Install seat tray to the seat with the 4 bolts . .

please follow up the diagram beside

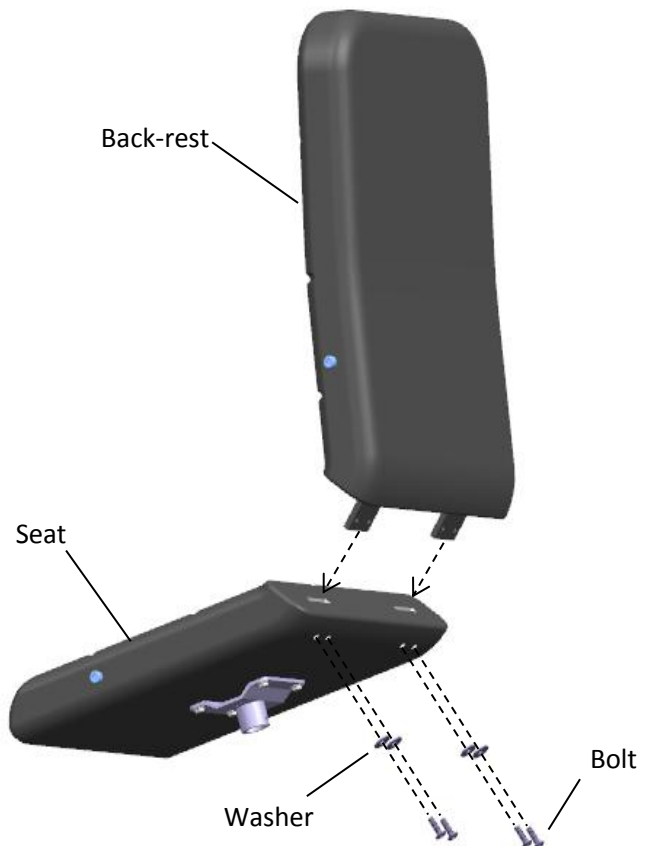


Ninth : Install seat tray and the back-rest to the seat

Step 1 : Remove the 4 bolts and washers that pre-fixed in the back-rest.

Step 2 : Install the back-rest to the seat with 4 bolts and washers which removed from the back-rest .

please follow up the diagram beside

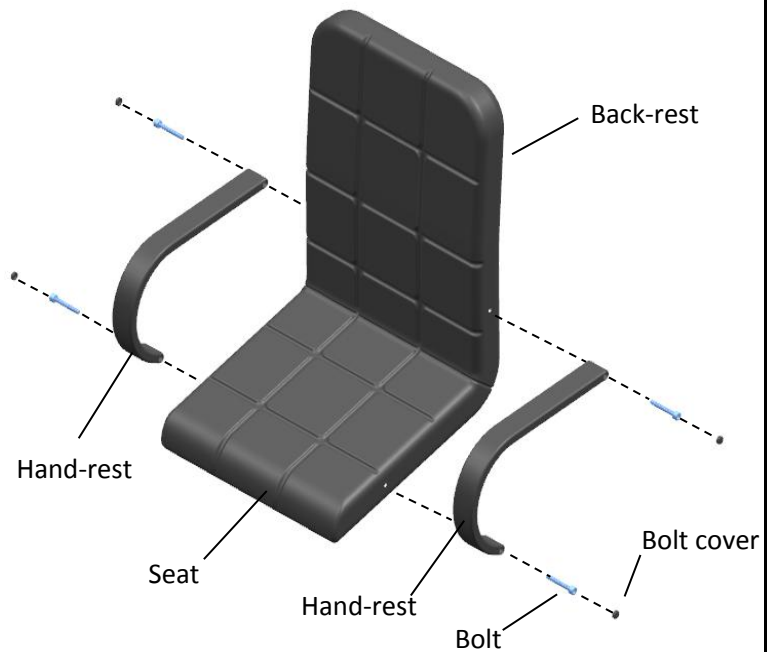


Tenth : Install hand-rest to the seat and back-rest

Step 1 : Remove 4 bolts that pre-fixed in the seat and back-rest.

Step 2 : Install 2 hand-rests to the seat and back-rest with 4 bolts and 4 Bolt covers which removed from the seat and back-rest .

please follow up the diagram beside

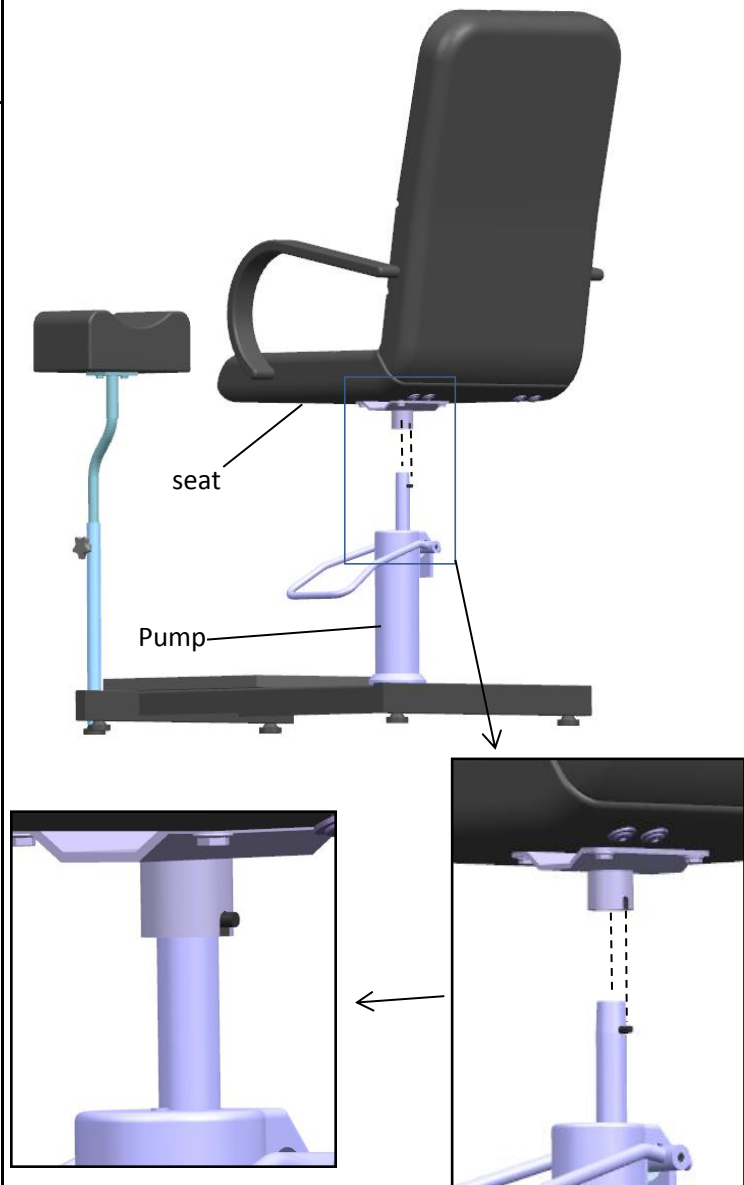


Eleventh : Install hand-rest to the seat and back-rest

Step1 . Step 1. Locate the slot in the seat tray under the Seat. Align this slot with the black pin at the top of pump.

Step 2. Set Seat onto installed Pump and press down.

Please follow up the diagram beside.



Product Operation Instructions

1 : Raising and Lowering the Chair
Step down on the Foot Bar repeatedly to raise the chair to the desired height.
Do not over-extend the chair, creating the risk of falls or tipping the chair and its occupant over, resulting in injury
Step down and hold the Foot Bar to allow chair to lower.

2 : Loosen the locking knob of the L-pipe to adjust the height of the leg-rest.

3 : Loosen the locking knob of the base to adjust the distance of the seat and leg-rest .

4 : Hold up the foot bar to lock the moving of seat .

