

OmySalon Electric Pedicure Chair

Model# PUS-01



ATTENTION! PLEASE READ THESE INSTRUCTIONS BEFORE USING THIS DEVICE

PRODUCT MANUAL



Visit our website: www.omysalon.com

For missing parts or questions: email us at support@omysalon.com

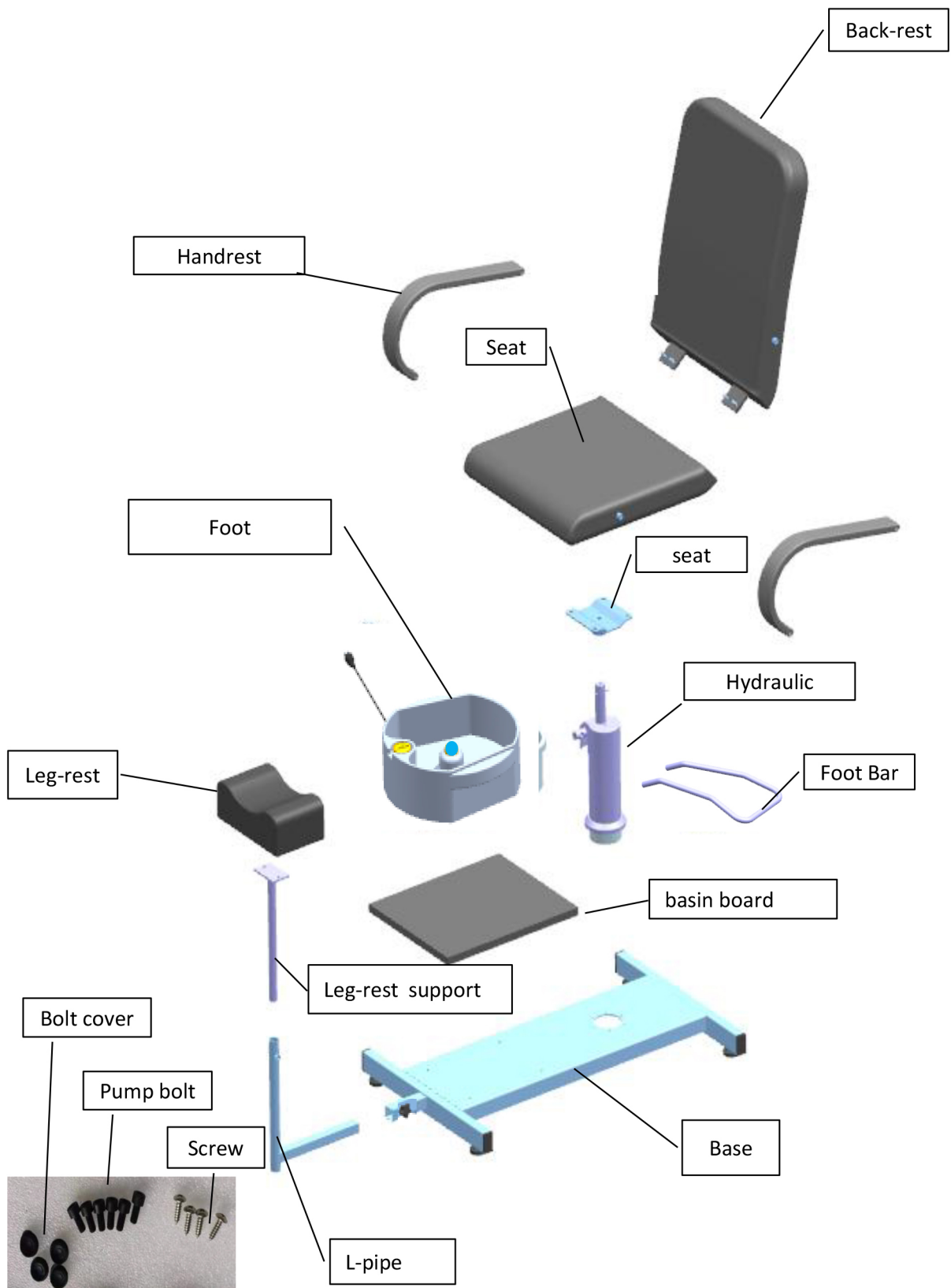


SAFETY

To reduce risk of injury when assembling & using the chair, follow these precautions:

- Read all of these instructions before assembling and using your chair.
- It is helpful to have 2 people assemble and turn the chair upright after assembling.
- Do not over-extend the chair(0~150kg), creating the risk of falls or tipping the chair, and its occupant over, resulting in injury

PARTS & FEATURES



Installation instruction

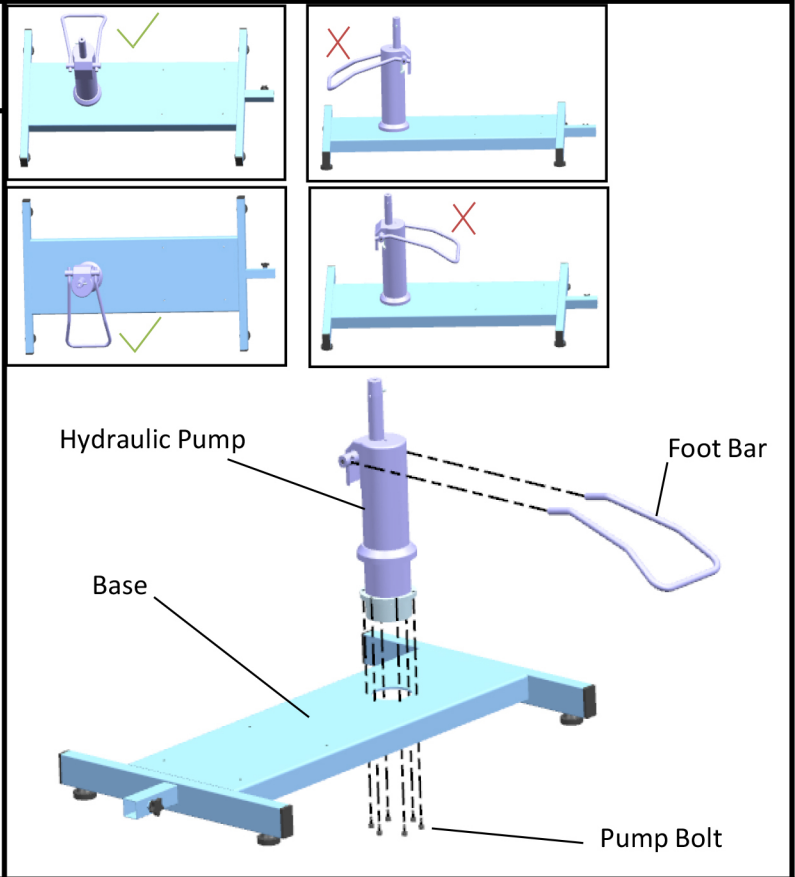
First : Install Pump to Base and Install Foot Bar to Hydraulic Pump

Step 1. Install the pump to the base by the 6 pump bolts .

Step 2. Place Installed Base & Pump on floor. Use Allen Wrench to loosen the set screws in the crossbar. This prevents set screws from obstructing entry of Foot Bar. Insert ends of Foot Bar into the holes in the crossbar. (May require slightly squeezing ends of Foot Bar towards each other, and some maneuvering for the bar ends to go into place.)

Step 3. Tighten the set screws to firmly hold the Foot Bar in place.

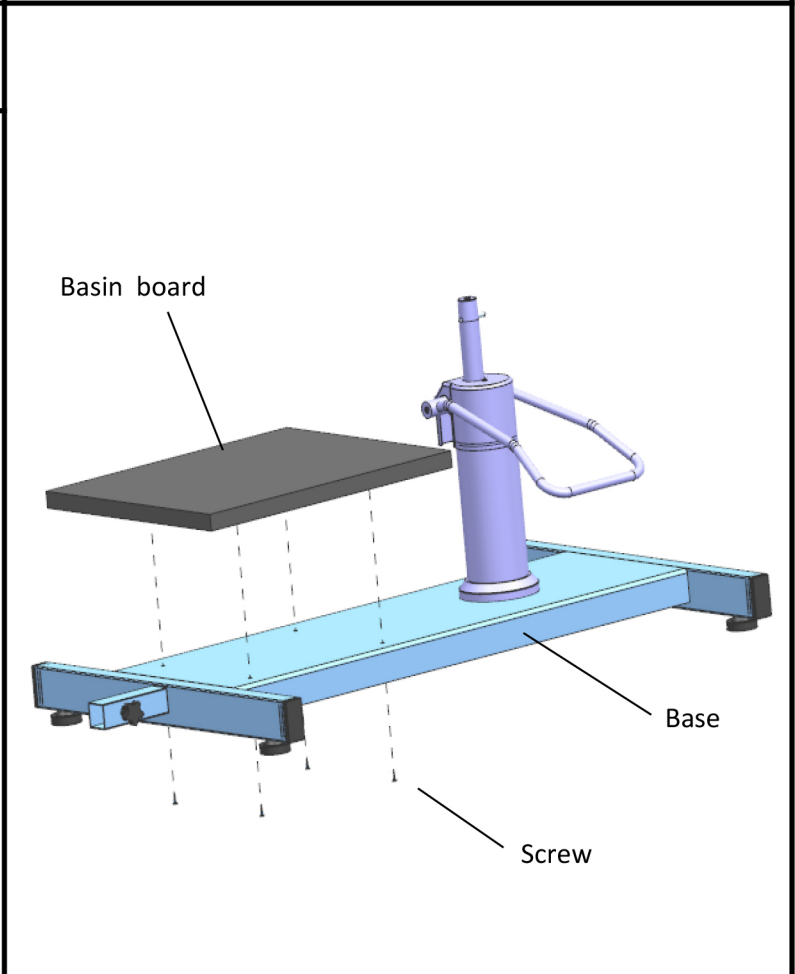
NOTICE: the Foot Bar can only be put on both sides of the base, not front and back



Second : Install basin board to the base

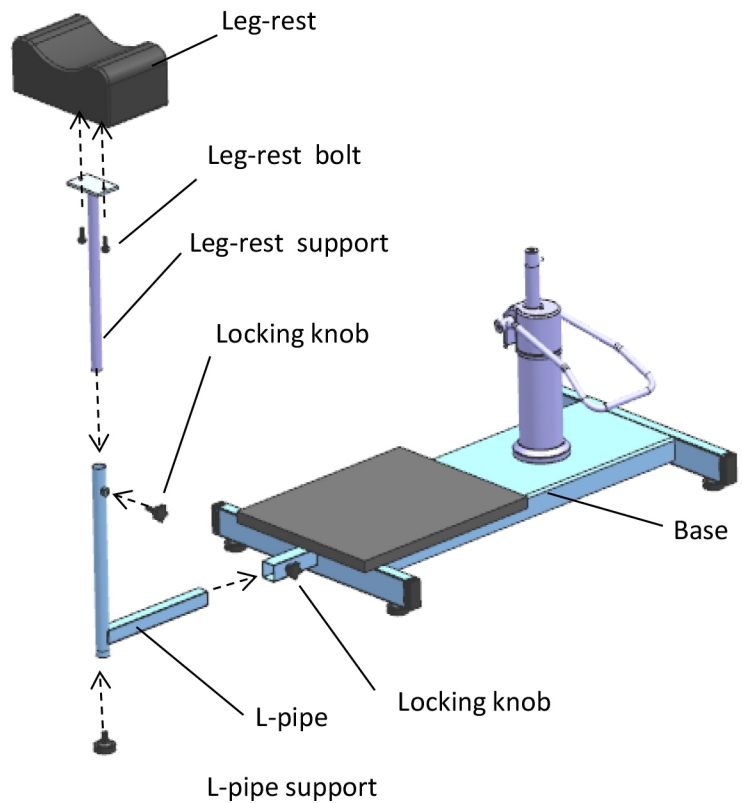
Step 1 : Install basin board to the base by the 4 screws .

please follow up the diagram beside



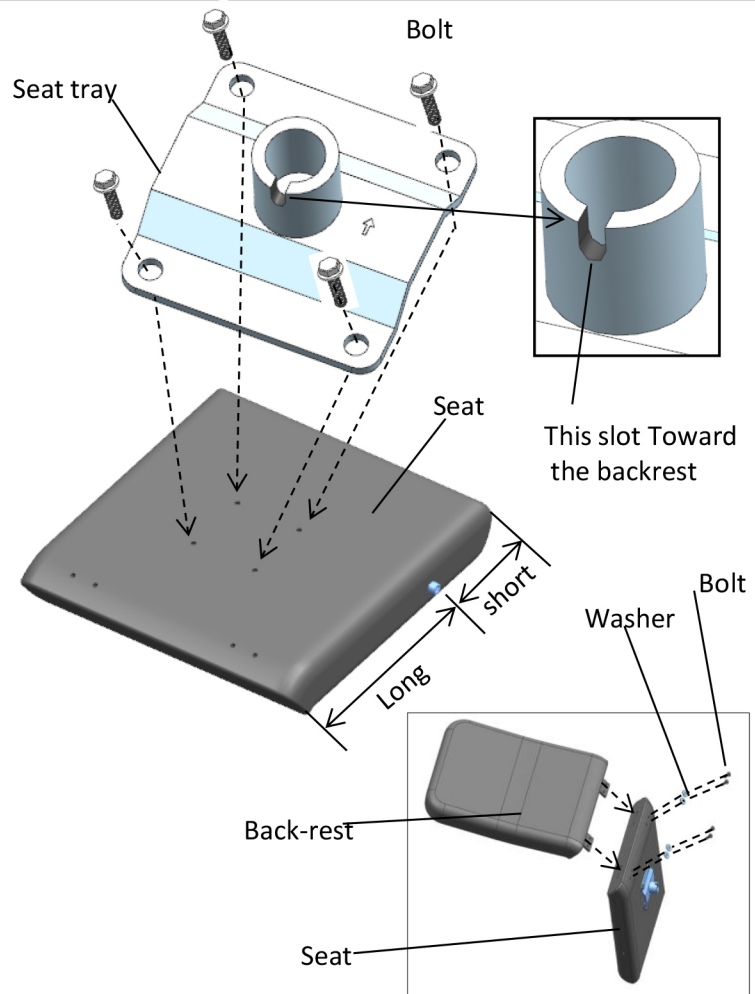
Fourth : Install the leg-rest to the base

Step1 . Install the L-pipe support to the L-pipe .
 Step 2 . Install the L-pipe to the base .
 Step 3 . Install the Leg-rest to Leg-rest support and insert the leg-rest support into the top of the L-pipe.
 please follow up the diagram beside



Fifth : Install seat tray and the back-rest to the seat

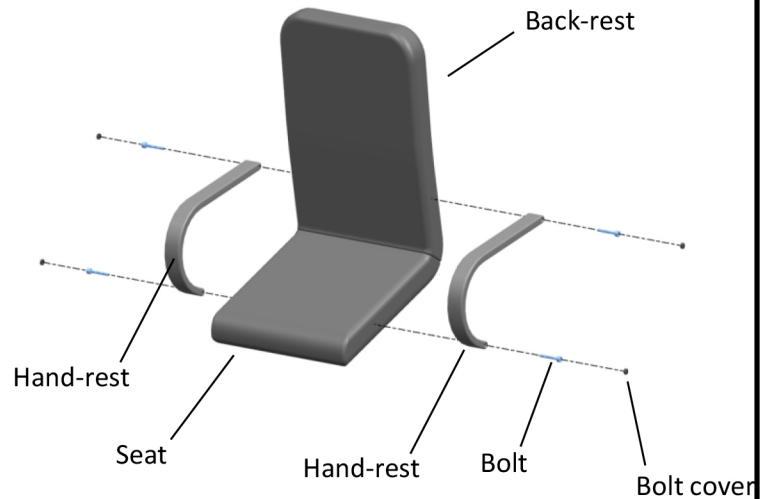
Step 1 : Remove the 4 bolts that pre-fixed on the bottom of the seat, then Install seat tray to the seat with the 4 bolts .
 Step 2 : Remove the 4 bolts and washers that pre-fixed in the back-rest and Install the back-rest to the seat with the 4 bolts and washers .
 please follow up the diagram beside



NOTICE: the seat is pre-ripped so that bracket could insert into easily.

Fifth : Install hand-rest to the seat and back-rest

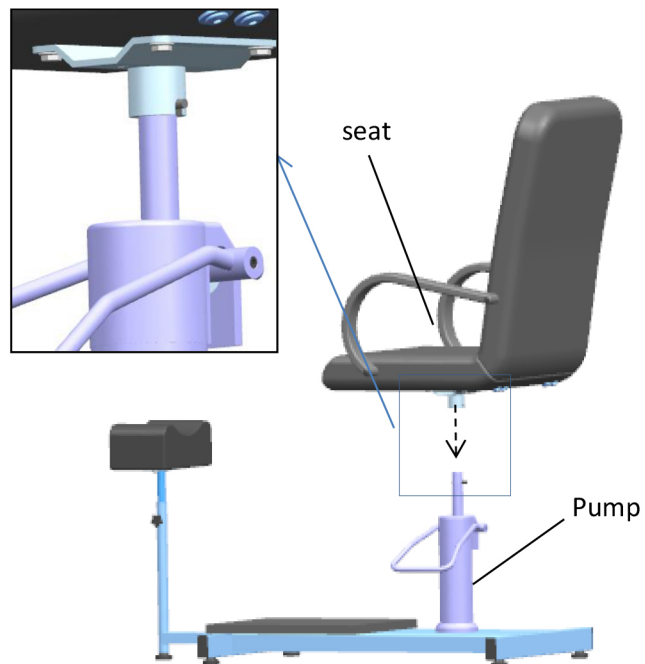
Step 1 : Remove the 4 bolts that pre-fixed in the seat and back-rest, then Install the 2 hand-rests to the seat and back-rest with the 4 bolts and the 4 Bolt covers .



Sixth : Install hand-rest to the seat and back-rest

Step1 . Step 1. Locate the slot in the short column under the Seat. Align this slot with the black pin at the top of pump.

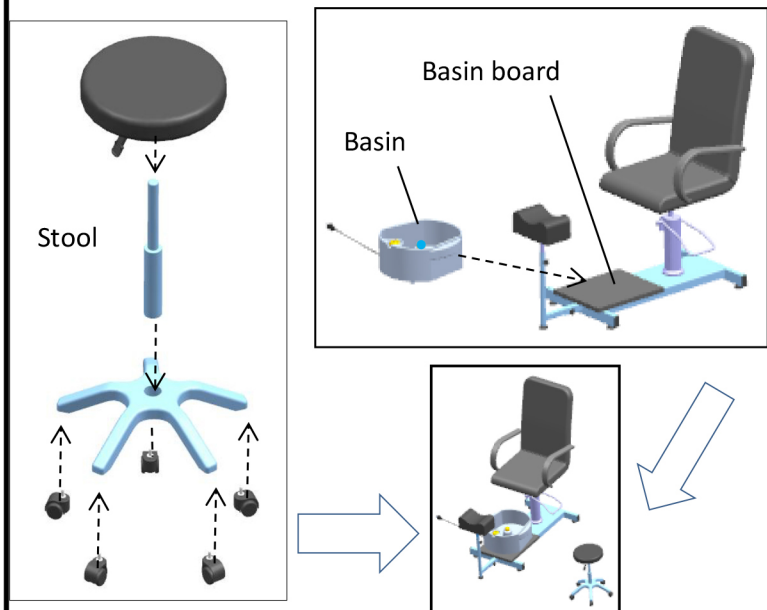
Step 2. Set Seat onto installed Pump and press down.



Step3 . Set the foot massage basin on the basin board .

Step4 .Install the stool and Move the stool next to the chair.

Please follow up the diagram beside.



Product Operation Instructions

Operating the chair

1 : Raising and Lowering the Chair
Step down on the Foot Bar repeatedly to raise the chair to the desired height.
Do not over-extend the chair, creating the risk of falls or tipping the chair and its occupant over, resulting in injury
Step down and hold the Foot Bar to allow chair to lower.

2 : Loosen the locking knob of the L-pipe to adjust the height of the leg-rest.

3 : Loosen the locking knob of the base to adjust the distance of the seat and leg-rest .

4 : Hold up the foot bar to lock the moving of seat .

